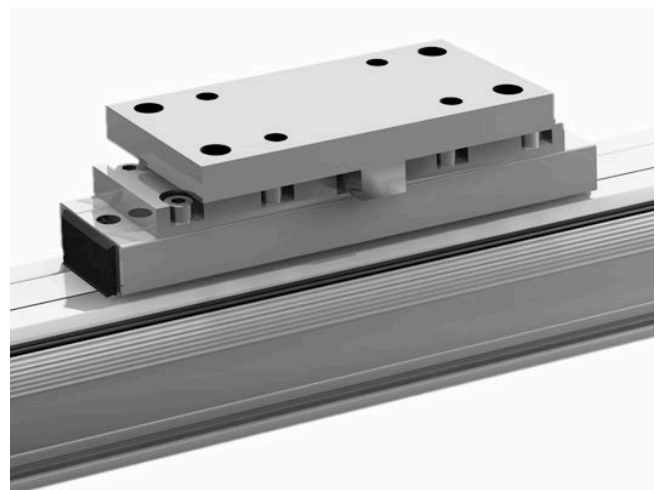


Compensating coupling, Series S44

R402002404

Foot mountings, RTC

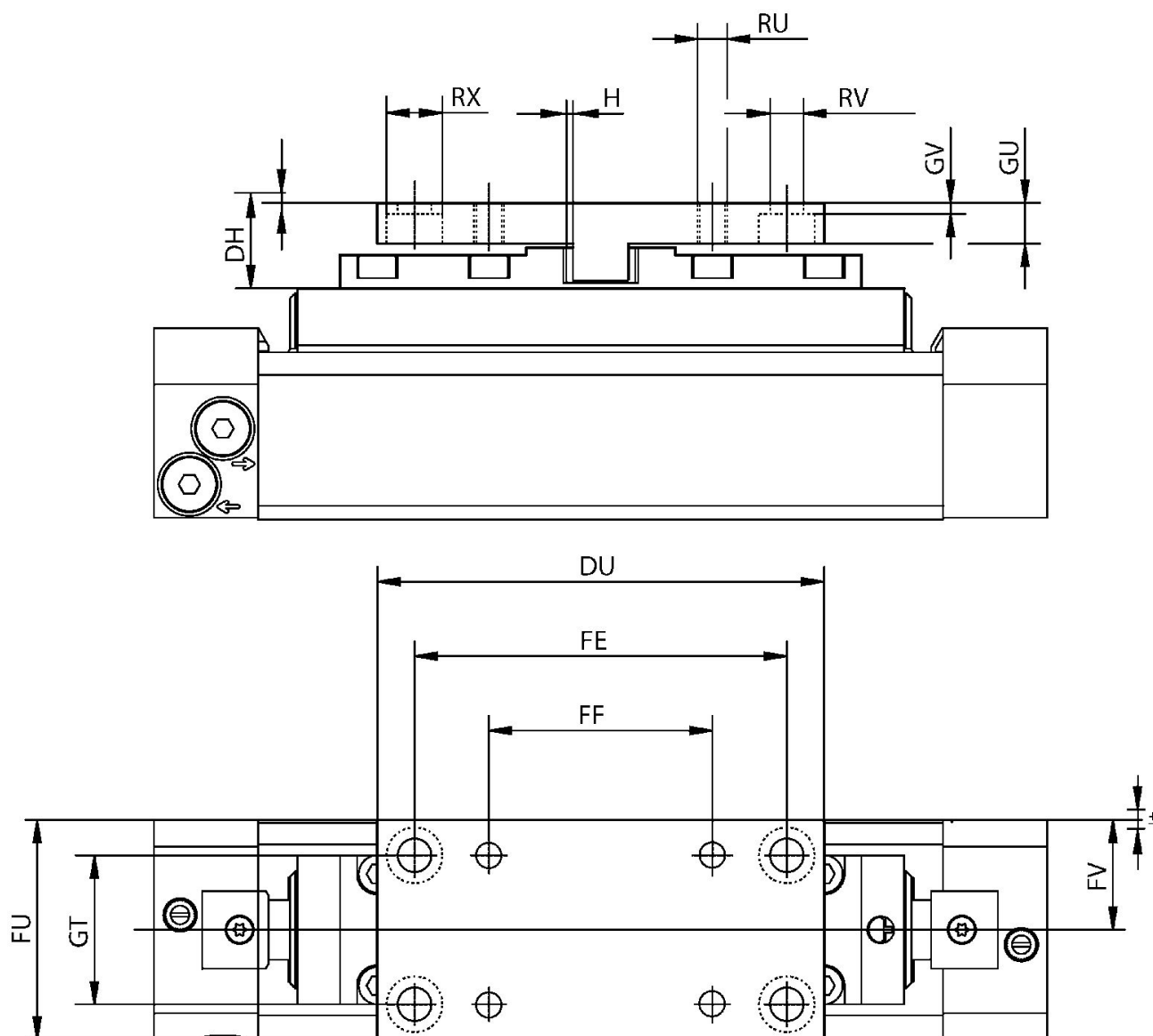


Technical data

Industry	Industrial
Version	for RTC-BV
For series	RTC
Piston diameter	32 mm 40 mm
Weight	0.3 kg

Material

Housing material	Aluminum
Part No.	R402002404



Piston Ø	Part No.	DH	DU	FU	FV	FE	FF	GT	GU
16, 25	R402002403	17,5–20	95	34	17 ±8	80	60	20	9
32, 40	R402002404	23–27	120	59	29,5 ±14	100	60	40	11
50, 63, 80	R402002405	30,5–35	150	90	45 ±24	120	80	60	15

Piston Ø	GV	H	RU	RV	RX
16, 25	3	0,15–0,4	M6	6.6	11
32, 40	3	0,15–0,4	M8	9	15
50, 63, 80	5	0,15–0,4	M10	11	15