

AVENTICS Series AES Field bus modules

The AVENTICS Series AES fieldbus connection can be integrated into all AVENTICS fieldbus-compatible valve systems or can also be configured as a stand-alone solution. AES connects your AVENTICS valve system to all relevant fieldbus protocols and offers the integration of I/O-modules and enables optimized decentralized wiring of sensors. The integration of the Digital Twin enables users to be IIoT ready and use the AES to solve their interoperability challenges.



Technical data

Industry	Industrial
Version	Passive distributor
Note	Archive product: Do not use in new constructions!
E/A capable	connection with I/O
Number of I/O connections	4 inputs / 4 outputs
Signal connection E/A type	Socket
Signal connection E/A thread size	M8x1
Signal connection E/A number of poles	3-pin
Min. ambient temperature	-30 °C
Max. ambient temperature	80 °C
Operational voltage electronics	24 V DC
Current consumption electronics	2 A
Protection class	IP67
Communication port 1, Type	Plug
Communication port , Thread size	M12x1
Communication port 1, Number of poles	8-pin
Communication port 1, Coding	A-coded
Weight	0.07 kg

Passive distributor, Series AES

R402001810

Series AES

2024-04-03

Material

Housing material

Polyamide

Seal material

Fluorocautchouc

Part No.

R402001810

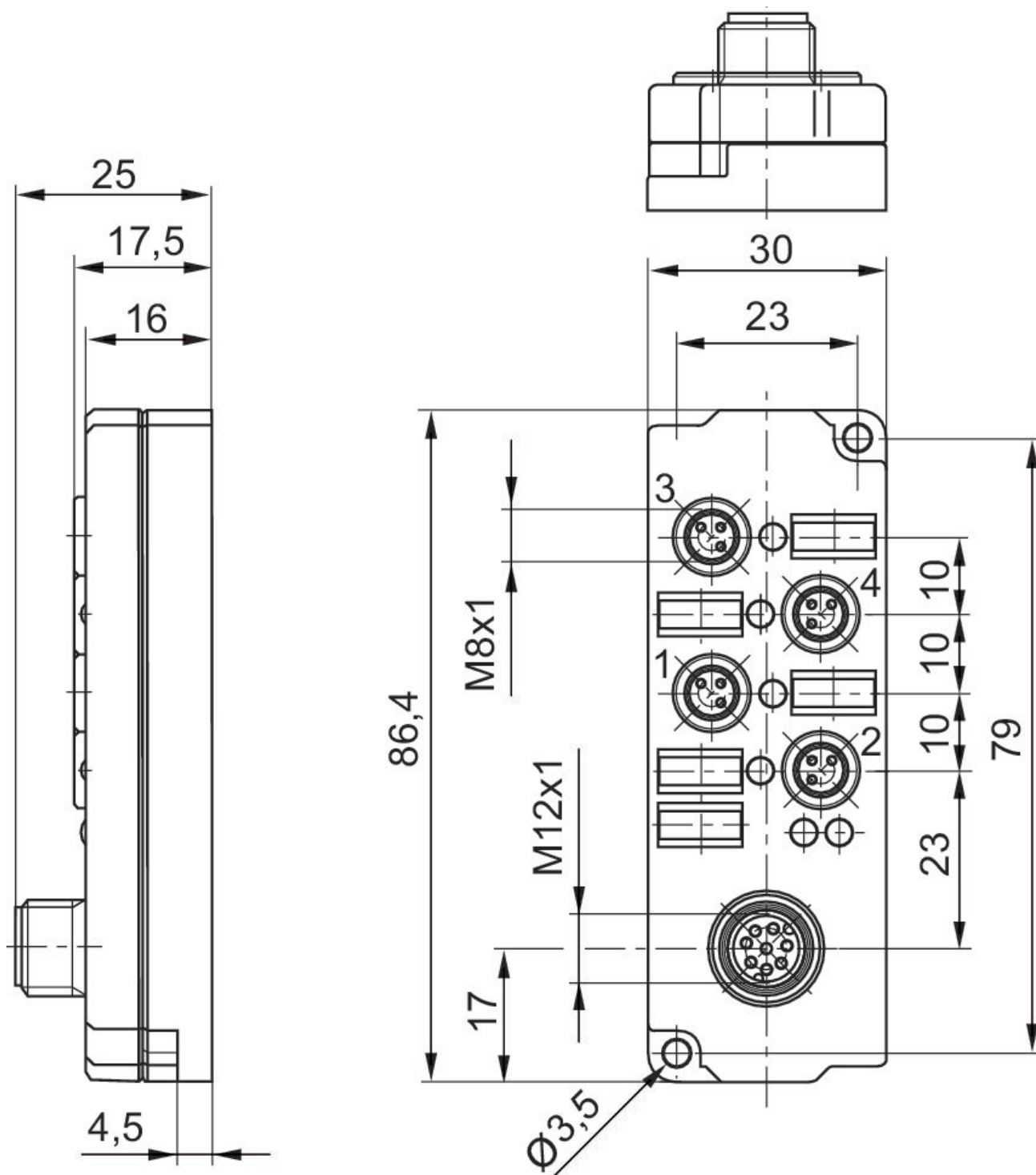
Passive distributor, Series AES

R402001810

Series AES

2024-04-03

Dimensions



Passive distributor, Series AES

R402001810

Series AES

2024-04-03

Pin assignments

PNP

Pin M12	1. M8	2. M8	3. M8	4. M8
1	4	-	-	-
2	-	4	-	-
3	-	-	4	-
4	-	-	-	4
5	1	1	1	1
6	-	-	-	-
(-) 7	3	3	3	3
(+) 8	-	-	-	-