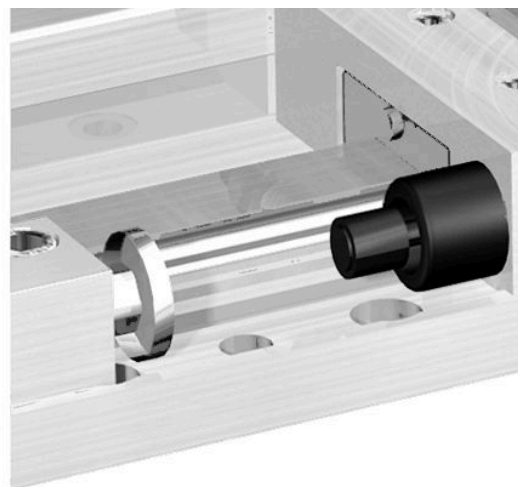


Kit for shock absorber end stop adjustment

2024-01-18

R402001208



Technical data

Industry

Industrial

Part No.

R402001208