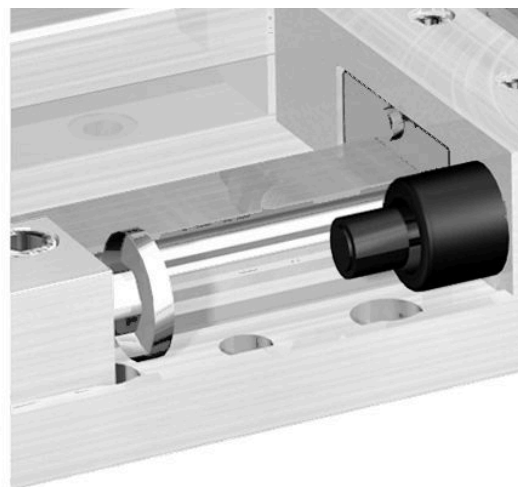


Kit for shock absorber end stop adjustment

2024-01-18

R402001207



Technical data

Industry

Part No.

Industrial

R402001207