

Bus coupler, series XVES Profinet

P570ABPN1011A00

Bus coupler,
series
XVES

2026-04-17

AVENTICS Series XVES Fieldbus modules

The XVES Connectivity modules connect your XV Compact valve system to all relevant fieldbus protocols.



Technical data

| | |
|----------------------------------|--------------------------------------|
| Industry | Industrial |
| Version | Bus coupler |
| Fieldbus protocol | Profinet |
| Number of I/O connections | 48 outputs |
| Power plug IN, Type | Plug (male) |
| Power plug IN size , Thread size | M12x1 |
| Power plug IN, Number of poles | 4-pin |
| Power plug IN, Coding | A-coded |
| Certificates | CE declaration of conformity RoHS |
| Min. ambient temperature | -10 °C |
| Max. ambient temperature | 50 °C |
| Max. number of solenoid coils | 48 |
| Max. number of valve positions | 42 |
| Operational voltage electronics | 24 V DC |
| Electronics voltage tolerance | -25 % / +25 % |
| Current consumption electronics | 0.2 A |
| Operating voltage, actuators | 24 V DC |
| Total output for valves | 3 A |
| Protection class | IP65 |

Bus coupler, series XVES Profinet

P570ABPN1011A00

2026-04-17

| | |
|---------------------------------------------------|-----------------------|
| Logic/actuator voltage | Galvanically isolated |
| Generic emission standard in accordance with norm | EN 61000-6-3 |
| Generic immunity standard in accordance with norm | EN 61000-6-2 |
| Communication port 1, Type | Socket |
| Communication port 1, Thread size | M12x1 |
| Communication port 1, Number of poles | 4-pin |
| Communication port 1, Coding | D-coded |
| Communication port 2, Type | Socket |
| Communication port 2, Thread size | M12x1 |
| Communication port 2, Number of poles | 4-pin |
| Communication port 2, Coding | D-coded |
| Weight | 0.09 kg |

Material

| | |
|------------------|---------------------------------------------|
| Housing material | Polyamide, fiber-glass reinforced |
| Seal material | Hydrogenated acrylonitrile butadiene rubber |
| Screws material | Galvanized Steel |
| Part No. | P570ABPN1011A00 |

Technical information

You will find assignment schemes for the product in the operating instructions, or contact the nearest AVENTICS sales office.

Scope of delivery: Incl. mounting screws 4x

Profinet functions: Conformance Class C, PROFINET IRT, Fast Start Up (FSU), Link Layer Discovery Protocol (LLDP), Media Redundancy Protocol (MRP), Simple Network Management Protocol (SNMP)

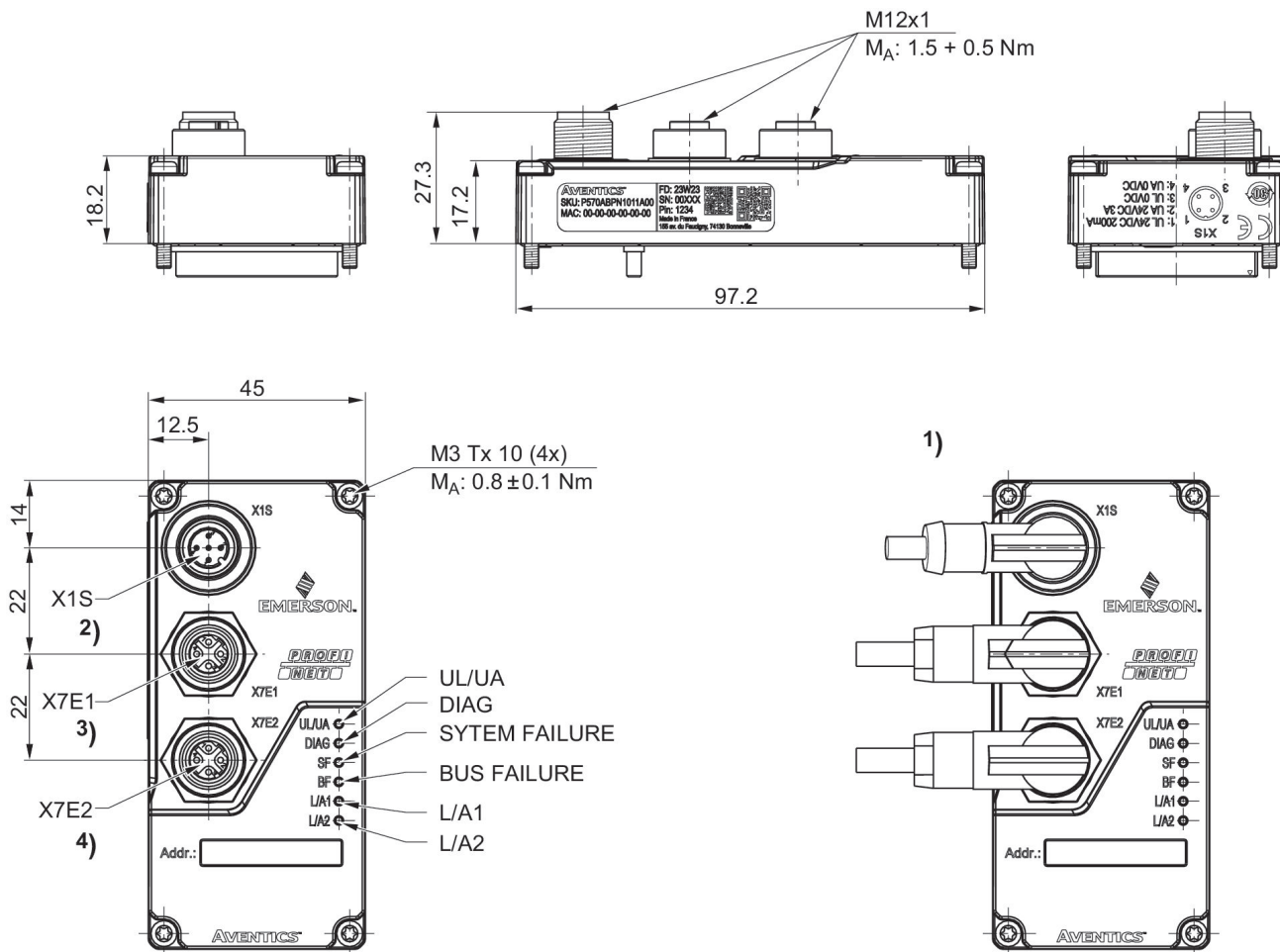
Extended diagnosis: Open load and short circuit for each valve coil

Bus coupler, series XVES Profinet

P570ABPN1011A00

2026-04-17

Dimensions



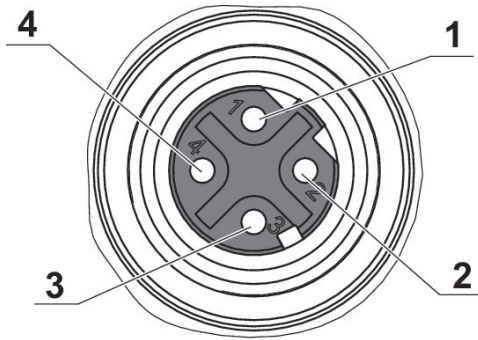
- 1) Cable exit direction – angle plug
- 2) Power plug
- 3) Communication port 1
- 4) Communication port 2

Bus coupler, series XVES Profinet

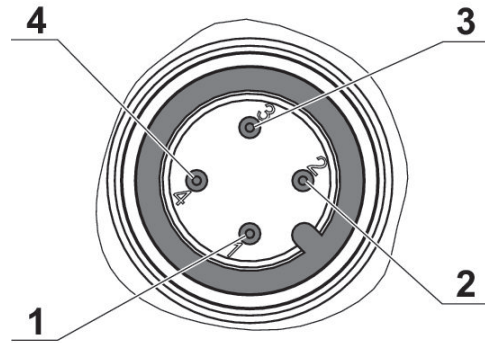
P570ABPN1011A00

Bus coupler,
series
XVES

2026-04-17



IN / OUT



X1S

Pin assignments

| Pin | |
|-----|-----|
| 1 | TD+ |
| 2 | RD+ |
| 3 | TD- |
| 4 | RD- |

Pin assignments

| Pin | |
|-----|--------------|
| 1 | 24 V DC (UL) |
| 2 | 24 V DC (UA) |
| 3 | 0 V DC (UL) |
| 4 | 0 V DC (UA) |