

Bus coupler, series XVES IO-Link

P570ABLKB010A00

Bus coupler,
series
XVES

2026-04-17

AVENTICS Series XVES Fieldbus modules

The XVES Connectivity modules connect your XV Compact valve system to all relevant fieldbus protocols.



Technical data

Industry	Industrial
Version	Bus coupler
Fieldbus protocol	IO-Link, type B
E/A capable	connection with I/O
Number of I/O connections	48 outputs
Power plug IN, Type	Plug
Power plug IN size , Thread size	M12x1
Power plug IN, Number of poles	5-pin
Power plug IN, Coding	A-coded
Certificates	CE declaration of conformity RoHS
Min. ambient temperature	-10 °C
Max. ambient temperature	50 °C
Max. number of solenoid coils	48
Max. number of valve positions	42
Operational voltage electronics	24 V DC
Electronics voltage tolerance	-10 % / +10 %
Current consumption electronics	0.02 A
Total output for valves	3 A
Protection class	IP65

Bus coupler, series XVES IO-Link

P570ABLK010A00

Bus coupler,
series
XVES

2026-04-17

Logic/actuator voltage	Galvanically isolated
Generic emission standard in accordance with norm	EN 61000-6-4
Generic immunity standard in accordance with norm	EN 61000-6-2
Weight	0.06 kg

Material

Housing material	Polyamide, fiber-glass reinforced
Seal material	Hydrogenated acrylonitrile butadiene rubber
Screws material	Galvanized Steel
Part No.	P570ABLK010A00

Technical information

You will find assignment schemes for the product in the operating instructions, or contact the nearest AVENTICS sales office.

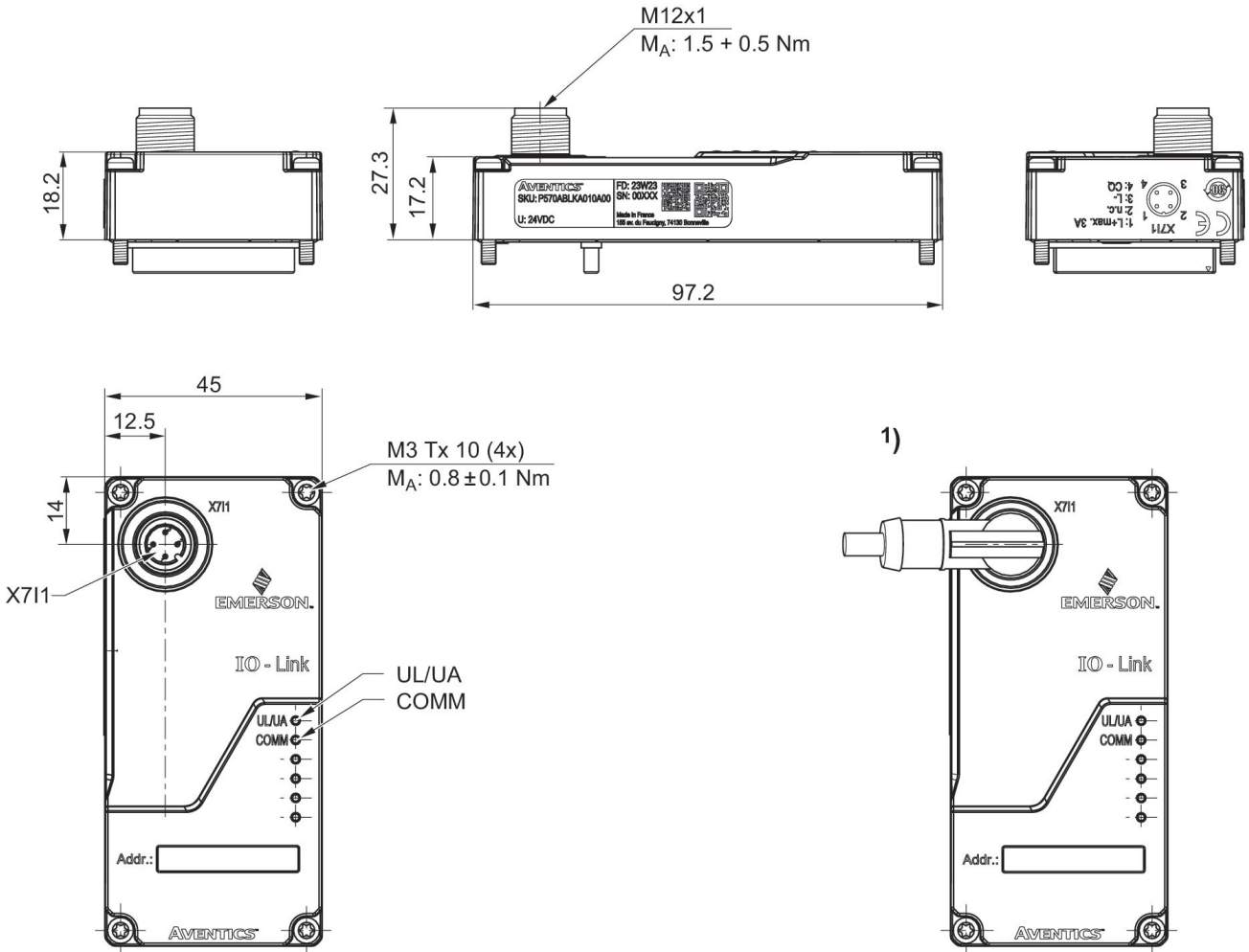
Scope of delivery: Incl. mounting screws 4x

Bus coupler, series XVES IO-Link

P570ABLK010A00

2026-04-17

Dimensions



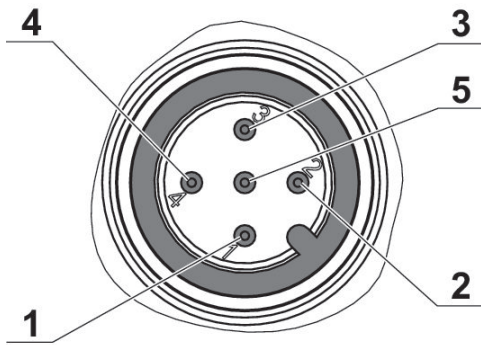
1) Cable exit direction – angle plug

Bus coupler, series XVES IO-Link

P570ABLK B010A00

Bus coupler,
series
XVES

2026-04-17



X711

Pin assignments

Pin	
1	L+ 24 V DC
2	2L+ 24 V DC
3	L-
4	CQ (IO link data)
5	2 L-