

AVENTICS Series XVES Fieldbus modules

The XVES Connectivity modules connect your XV Compact valve system to all relevant fieldbus protocols.



Technical data

Industry	Industrial
Version	Bus coupler
Fieldbus protocol	IO-Link
Number of I/O connections	48 outputs
Power plug IN, Type	Plug
Power plug IN size , Thread size	M12x1
Power plug IN, Number of poles	4-pin
Power plug IN, Coding	A-coded
Certificates	CE declaration of conformity RoHS
Min. ambient temperature	-10 °C
Max. ambient temperature	50 °C
Max. number of solenoid coils	48
Max. number of valve positions	24
Operational voltage electronics	24 V DC
Electronics voltage tolerance	-25 % / +25 %
Current consumption electronics	3 A
Protection class	IP65
Generic emission standard in accordance with norm	EN 61000-6-4

Bus coupler, series XVES IO-Link

2024-09-03

P570ABLKA010A00

Generic immunity standard in accordance with norm EN 61000-6-2

Weight 0.06 kg

Material

Housing material	Polyamide fiber-glass reinforced
Seal material	Hydrogenated acrylonitrile butadiene rubber
Screws material	Galvanized Steel
Part No.	P570ABLKA010A00

Technical information

You will find assignment schemes for the product in the operating instructions, or contact the nearest AVENTICS sales office.

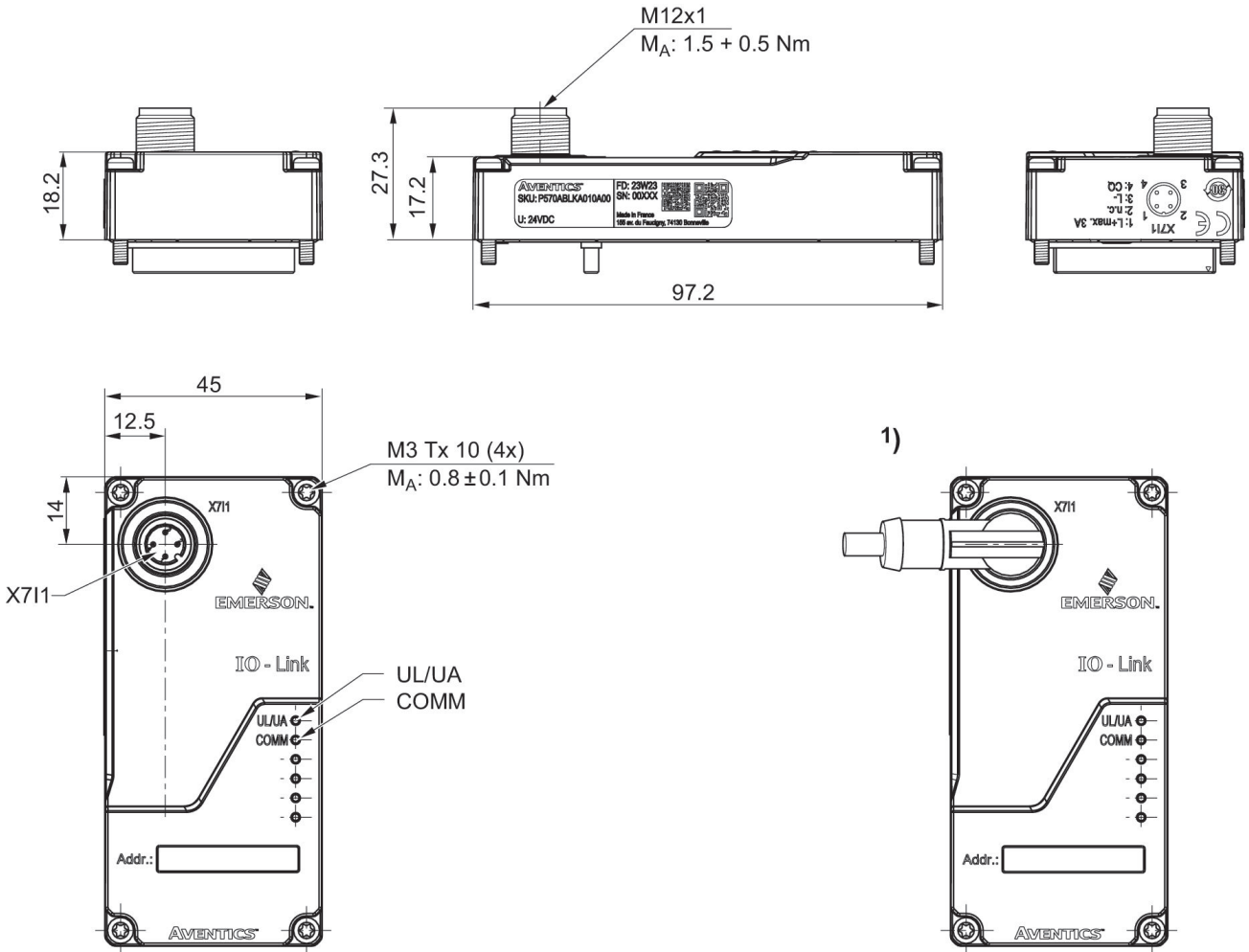
Scope of delivery: Incl. mounting screws 4x

Bus coupler, series XVES IO-Link

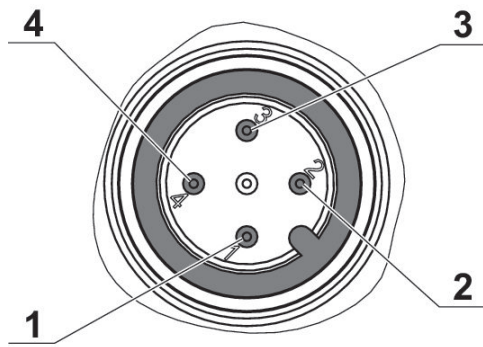
2024-09-03

P570ABLKA010A00

Dimensions



1) Cable exit direction – angle plug



X711

Pin assignments

Plug X711

Pin	
1	L+
2	-
3	L-
4	CQ (IO link data)