

AVENTICS Series XVES Fieldbus modules

The XVES Connectivity modules connect your XV Compact valve system to all relevant fieldbus protocols.



Technical data

Industry	Industrial
Version	Bus coupler
Fieldbus protocol	MODBUS TCP
Number of I/O connections	48 outputs
Power plug IN, Type	Plug (male)
Power plug IN size , Thread size	M12x1
Power plug IN, Number of poles	4-pin
Power plug IN, Coding	A-coded
Certificates	CE declaration of conformity RoHS
Min. ambient temperature	-10 °C
Max. ambient temperature	50 °C
Max. number of solenoid coils	48
Max. number of valve positions	24
Operational voltage electronics	24 V DC
Electronics voltage tolerance	-25 % / +25 %
Current consumption electronics	0.2 A
Operating voltage, actuators	24 V DC
Actuator voltage tolerance	-10 % / +10 %
Total output for valves	3 A

Bus coupler, series XVES Modbus TCP

2024-09-03

P570ABEM1011A00

Protection class	IP65
Logic/actuator voltage	Galvanically isolated
Generic emission standard in accordance with norm	EN 61000-6-3
Generic immunity standard in accordance with norm	EN 61000-6-2
Communication port 1, Type	Socket
Communication port 1, Thread size	M12x1
Communication port 1, Number of poles	4-pin
Communication port 1, Coding	D-coded
Communication port 2, Type	Socket
Communication port 2, Thread size	M12x1
Communication port 2, Number of poles	4-pin
Communication port 2, Coding	D-coded
Weight	0.09 kg

Material

Housing material	Polyamide fiber-glass reinforced
Seal material	Hydrogenated acrylonitrile butadiene rubber
Screws material	Galvanized Steel
Part No.	P570ABEM1011A00

Technical information

You will find assignment schemes for the product in the operating instructions, or contact the nearest AVENTICS sales office.

Scope of delivery: Incl. mounting screws 4x

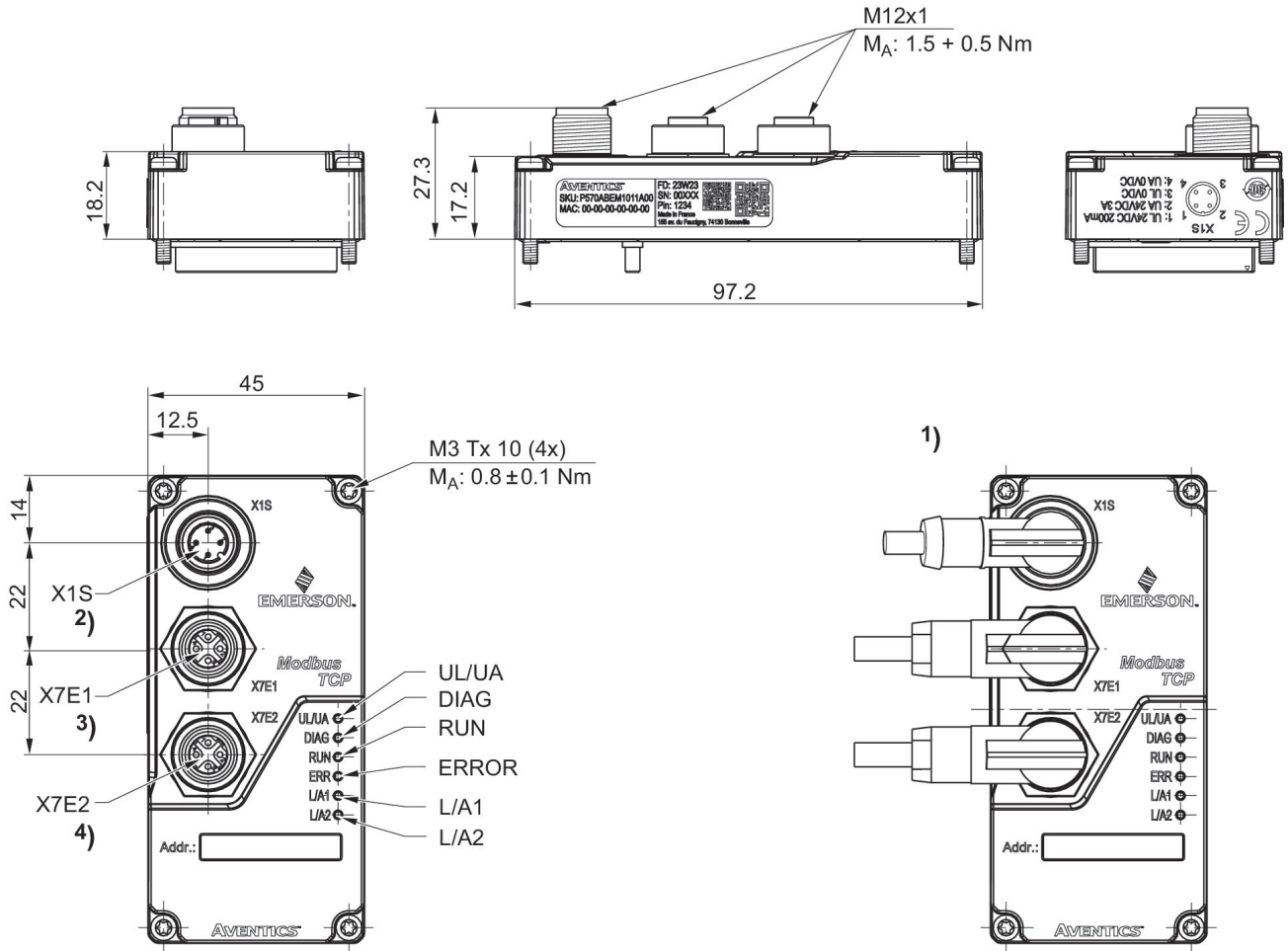
Extended diagnosis: Open load and short circuit for each valve coil

Bus coupler, series XVES Modbus TCP

2024-09-03

P570ABEM1011A00

Dimensions

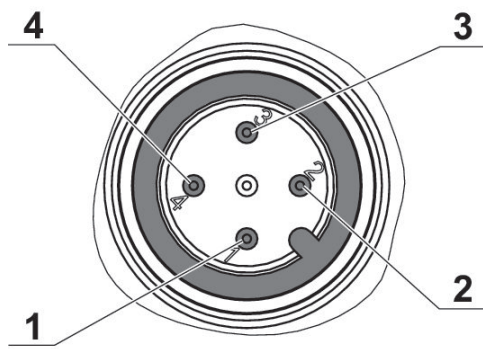


- 1) Cable exit direction – angle plug
- 2) Power plug
- 3) Communication port 1
- 4) Communication port 2

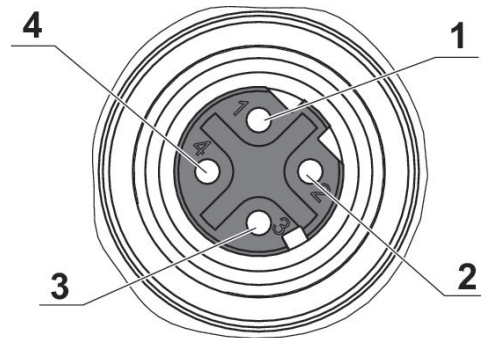
Bus coupler, series XVES Modbus TCP

2024-09-03

P570ABEM1011A00



X1S



X7E1 / X7E2

Pin assignments Plug X1S

Pin	
1	24 V DC (UL)
2	24 V DC (UA)
3	0 V DC (UL)
4	0 V DC (UA)

Pin assignments Plug X7E1, X7E2

Pin	
1	TD+
2	RD+
3	TD-
4	RD-