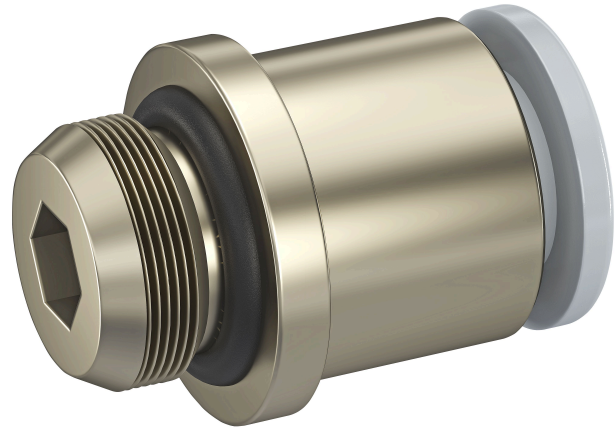


Straight fitting, 1/8" BSP

K599AU571903182

2025-01-06

Mechanical accessories



Technical data

| | |
|--------------------------|----------------|
| Industry | Industrial |
| Certificate | RoHS |
| Port G | 1/8" BSP |
| Medium | Compressed air |
| Min. working pressure | 0.95 bar |
| Max. working pressure | 10 bar |
| Min. ambient temperature | -10 °C |
| Max. ambient temperature | 60 °C |
| Delivery quantity | 2 piece |

Material

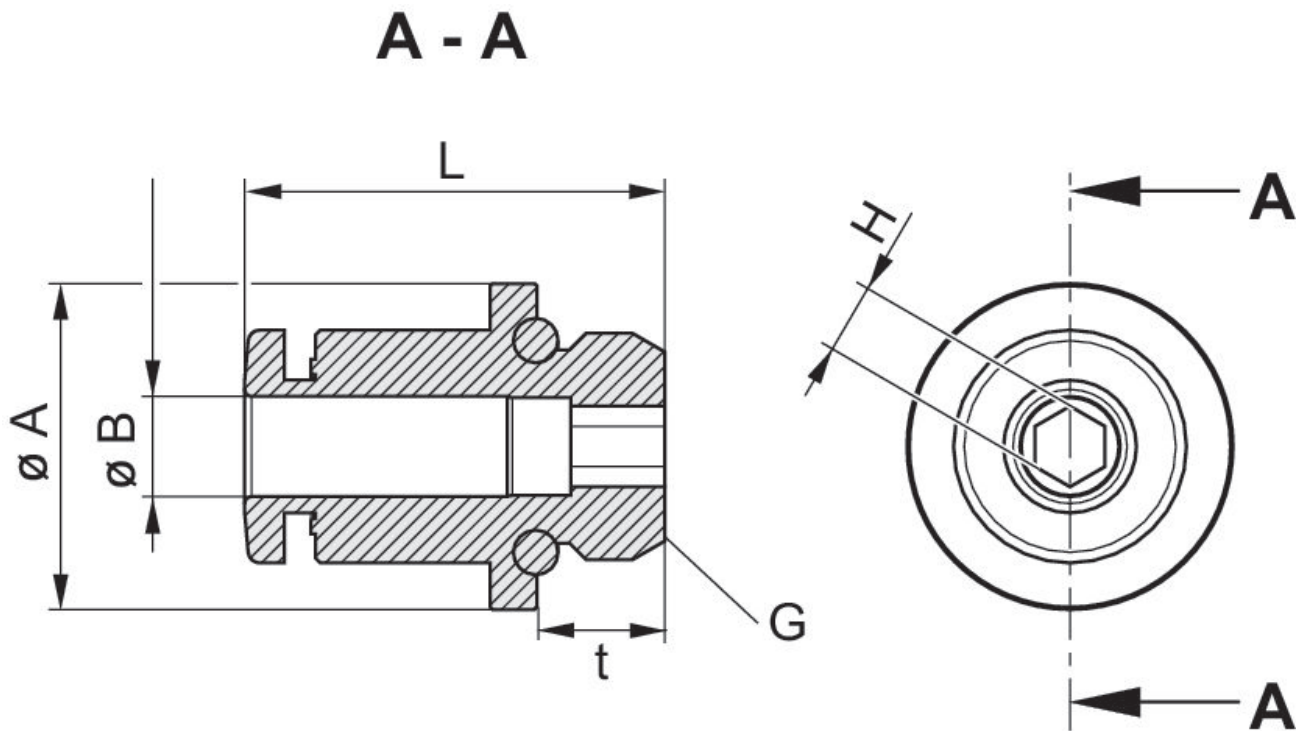
| | |
|------------------|---------------------------------------|
| Housing material | Brass, nickel-plated |
| Seal material | Hydrogenated nitrile butadiene rubber |
| Part No. | K599AU571903182 |

Straight fitting, 1/8" BSP

K599AU571903182

2025-01-06

Dimensions



| Part No. | Port G t=depth of thread | A | B | L | H | Delivery quantity | Recom- mended tightening torque |
|-----------------|--------------------------------|----|---------|-------|----|----------------------|--|
| K599AU571903142 | 1/8" BSP t=5,5 | 14 | 4-5/32" | 18,05 | 3 | 2 | 6,0 ± 1,2 Nm |
| K599AU571903145 | 1/8" BSP t=5,5 | 14 | 4-5/32" | 18,05 | 3 | 5 | 6,0 ± 1,2 Nm |
| K599AU571903140 | 1/8" BSP t=5,5 | 14 | 4-5/32" | 18,05 | 3 | 10 | 6,0 ± 1,2 Nm |
| K599AU571903162 | 1/8" BSP t=5,5 | 14 | 6 | 19,65 | 4 | 2 | 6,0 ± 1,2 Nm |
| K599AU571903165 | 1/8" BSP t=5,5 | 14 | 6 | 19,65 | 4 | 5 | 6,0 ± 1,2 Nm |
| K599AU571903160 | 1/8" BSP t=5,5 | 14 | 6 | 19,65 | 4 | 10 | 6,0 ± 1,2 Nm |
| K599AU571903182 | 1/8" BSP t=5,5 | 14 | 8 | 24,75 | 6* | 2 | 6,0 ± 1,2 Nm |
| K599AU571903185 | 1/8" BSP t=5,5 | 14 | 8 | 24,75 | 6* | 5 | 6,0 ± 1,2 Nm |
| K599AU571903180 | 1/8" BSP t=5,5 | 14 | 8 | 24,75 | 6* | 10 | 6,0 ± 1,2 Nm |

* The tightening tool should be at least 14 mm long on its H length.