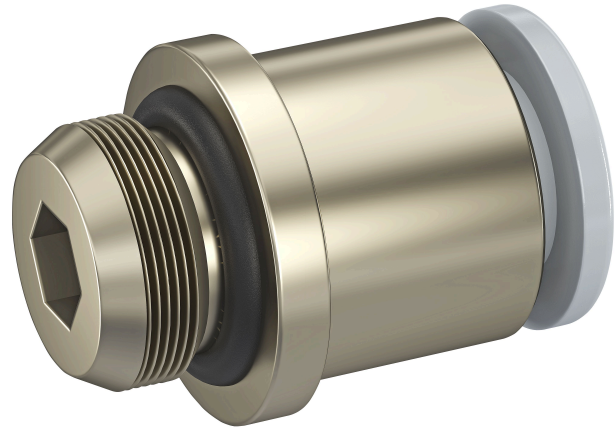


# Racor recto, 1/8" BSP

K599AU571903145

2025-01-06

## Accesorios mecánicos



## Datos técnicos

|                                |                 |
|--------------------------------|-----------------|
| Sector                         | Industria       |
| Certificado                    | RoHS            |
| Orificio G                     | 1/8" BSP        |
| Fluido                         | Aire comprimido |
| Presión de funcionamiento mín. | 0.95 bar        |
| Presión de funcionamiento máx. | 10 bar          |
| Temperatura ambiente mín.      | -10 °C          |
| Temperatura ambiente máx.      | 60 °C           |
| Cantidad de suministro         | 5 Unidades      |

## Material

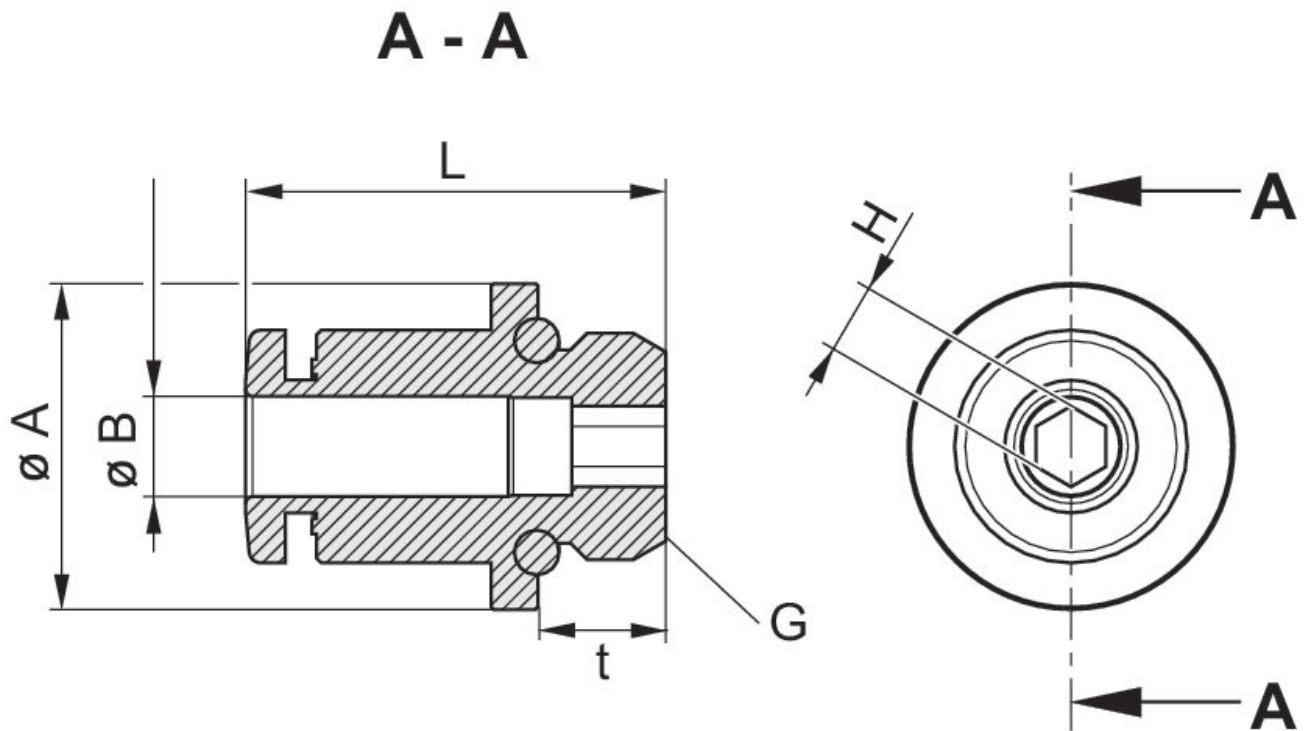
|                  |   |
|------------------|---|
| Material carcasa | Latón, niquelada                        |
| Material juntas  | Caucho de nitrilo-butadieno hidrogenado |
| N° de material   | K599AU571903145                         |

# Racor recto, 1/8" BSP

K599AU571903145

2025-01-06

## Dimensiones



| N° de material  | Orificio G t=profundidad de rosca | A  | B       | L     | H  | Cantidad de suministro | Par de apriete recomendado |
|-----------------|-----------------------------------|----|---------|-------|----|------------------------|----------------------------|
| K599AU571903142 | 1/8" BSP<br>t=5,5                 | 14 | 4-5/32" | 18,05 | 3  | 2                      | 6,0 ± 1,2 Nm               |
| K599AU571903145 | 1/8" BSP<br>t=5,5                 | 14 | 4-5/32" | 18,05 | 3  | 5                      | 6,0 ± 1,2 Nm               |
| K599AU571903140 | 1/8" BSP<br>t=5,5                 | 14 | 4-5/32" | 18,05 | 3  | 10                     | 6,0 ± 1,2 Nm               |
| K599AU571903162 | 1/8" BSP<br>t=5,5                 | 14 | 6       | 19,65 | 4  | 2                      | 6,0 ± 1,2 Nm               |
| K599AU571903165 | 1/8" BSP<br>t=5,5                 | 14 | 6       | 19,65 | 4  | 5                      | 6,0 ± 1,2 Nm               |
| K599AU571903160 | 1/8" BSP<br>t=5,5                 | 14 | 6       | 19,65 | 4  | 10                     | 6,0 ± 1,2 Nm               |
| K599AU571903182 | 1/8" BSP<br>t=5,5                 | 14 | 8       | 24,75 | 6* | 2                      | 6,0 ± 1,2 Nm               |
| K599AU571903185 | 1/8" BSP<br>t=5,5                 | 14 | 8       | 24,75 | 6* | 5                      | 6,0 ± 1,2 Nm               |
| K599AU571903180 | 1/8" BSP<br>t=5,5                 | 14 | 8       | 24,75 | 6* | 10                     | 6,0 ± 1,2 Nm               |