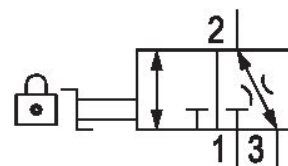


# 3/2-shut-off valve, mechanically operated, Series 653

G653A3M060A0000



## Technical data

|                           |                                 |
|---------------------------|---------------------------------|
| Industry                  | Industrial                      |
| Activation                | Mechanical                      |
| Nominal flow Qn           | 51900 l/min                     |
| Compressed air connection | G 1                             |
| Certificates              | ATEX optional                   |
| Parts                     | Shut-off valve                  |
| Lock type                 | for padlocks                    |
| Min. ambient temperature  | -10 °C                          |
| Max. ambient temperature  | 50 °C                           |
| Min. medium temperature   | -10 °C                          |
| Max. medium temperature   | 50 °C                           |
| Medium                    | Compressed air<br>Neutral gases |

---

|                                    |                          |
|------------------------------------|--------------------------|
| Compressed air connection standard | according to ISO 228-1   |
| Nominal flow Qn 1 to 2             | 51900 l/min              |
| Nominal flow Qn 2 to 3             | 300 l/min                |
| Weight                             | 0.94 kg                  |
| Housing material                   | Aluminum                 |
| Seal material                      | Nitrile butadiene rubber |
| Part No.                           | G653A3M060A0000          |

## Technical information

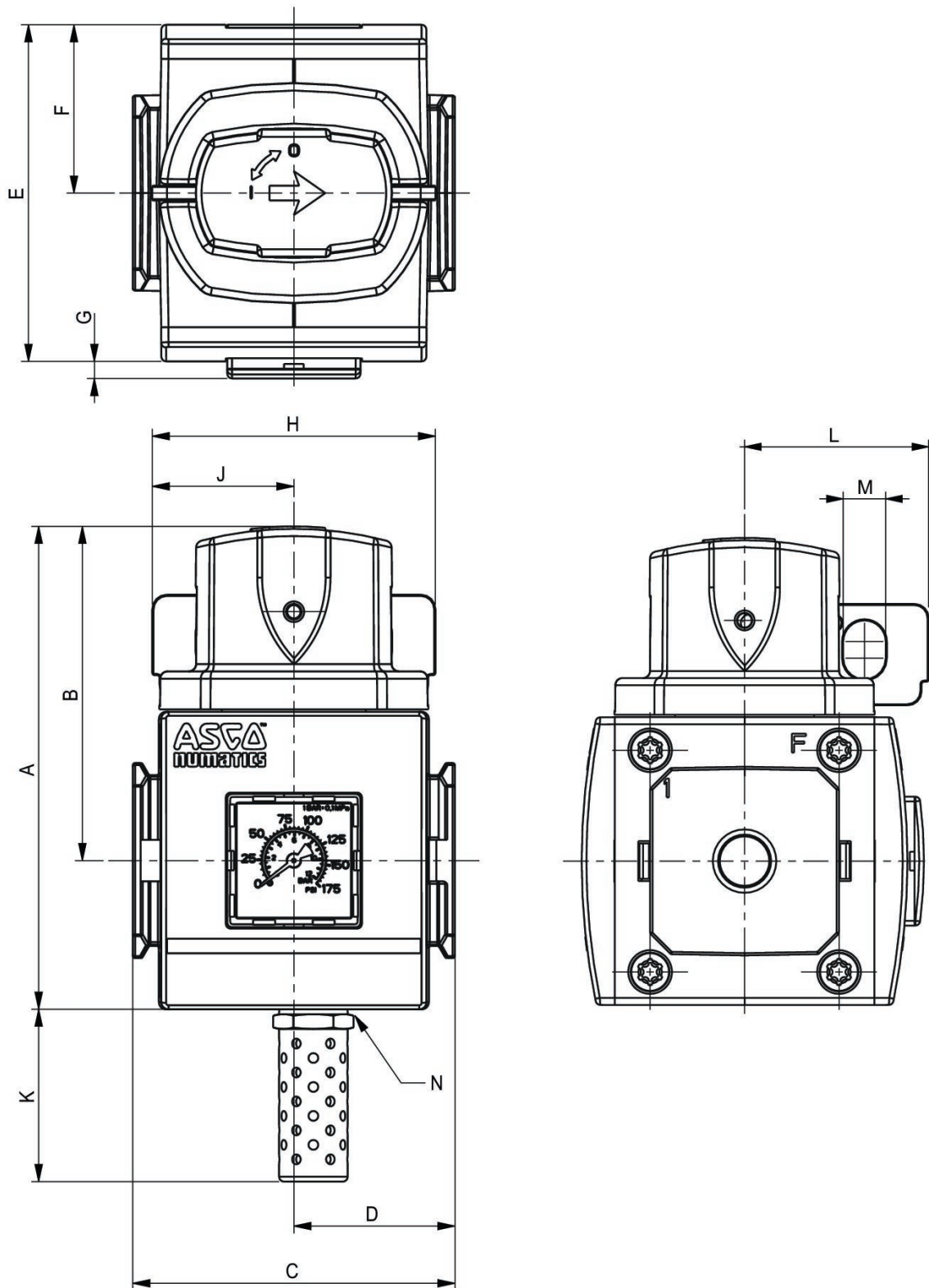
The min. control pressure must be adhered to, since otherwise faulty switching and valve failure may result!

The pressure dew point must be at least 15 °C less than ambient and medium temperature and may not exceed 3 °C.

The oil content of compressed air must remain constant during the life cycle.

Use only the approved oils from AVENTICS. Further information can be found in the "Technical information" document (available in <https://www.emerson.com/en-us/support>).

## Dimensions



| Series | 653   |
|--------|-------|
| A      | 120   |
| B      | 79    |
| C      | 90    |
| D      | 45    |
| E      | 93    |
| F      | 46,5  |
| G      | 1,9   |
| H      | 58    |
| J      | 29    |
| K      | 46,7  |
| L      | 38    |
| M      | 9     |
| N      | G 3/8 |

## Accessories overview

