

End plate, series 502

G502AK431477013



Technical data

Compressed air connection input
Port exhaust

G 3/8
G 3/8

Scope of delivery

Left and right end plate, sealing kit, mounting screws

Working pressure min.

-0.95 bar

Working pressure max

10 bar

Min. ambient temperature

-10 °C

Max. ambient temperature

50 °C

Min. medium temperature

-10 °C

Max. medium temperature

50 °C

Medium

Compressed air

Protection class

IP65

Weight

0.99 kg

Material

Housing material

Die-cast aluminum

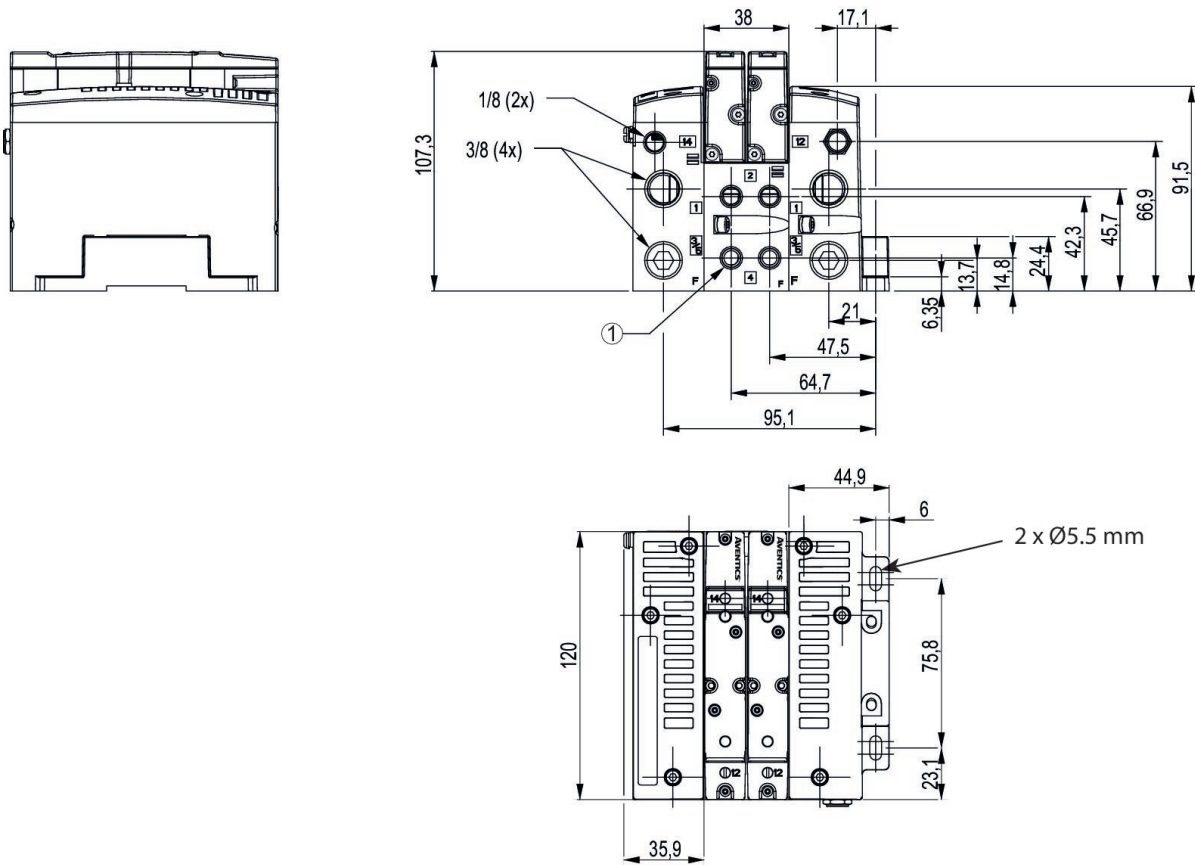
Seal material	Acrylonitrile butadiene rubber
Screws material	Galvanized Steel
Part No.	G502AK431477013

Technical information

The pressure dew point must be at least 15 °C less than ambient and medium temperature and may not exceed 3 °C.

The oil content of compressed air must remain constant during the life cycle.

Dimensions



1) Push-in fitting 1/8