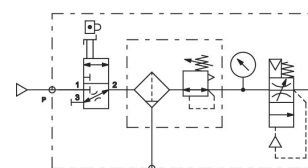


Air preparation unit, 3-part, Series 651

A651A0000003635

General series information
AVENTICS Series 651 Air Preparation Units

- The AVENTICS Series 651 is an easy-to-install line of pneumatic filters, regulators and lubricators (FRLs) that offer the industry's highest flow rates and widest temperature ratings. Available in 1/8-inch, and 1/4-inch port sizes, these FRLs are ideal for automotive and tire, packaging, food and beverage, and process applications requiring highly reliable operation and robust, modern-looking equipment.



Technical data

Industry

Parts

Components

Reservoir

Port

Filter porosity

Condensate drain

Pressure gauge

Working pressure min.

Working pressure max

Min. ambient temperature

Max. ambient temperature

Certificates

Regulation range min.

Industrial

Air preparation units

Shut-off valve

Filter pressure regulator

Filling valve

Reservoir polycarbonate

G 1/8

25 µm

semi-automatic, open without pressure

With integrated pressure gauge

3.8 bar

10 bar

-10 °C

50 °C

ATEX optional

0.5 bar

Regulation range max.	10 bar
Lock type	not lockable
Type	3-part
Type	Can be assembled into blocks
Medium	Compressed air Neutral gases

Material

Housing material	Aluminum
Seal material	Nitrile butadiene rubber
Material reservoir	Polycarbonate
Material condensate drain	Plastic
Part No.	A651A0000003635

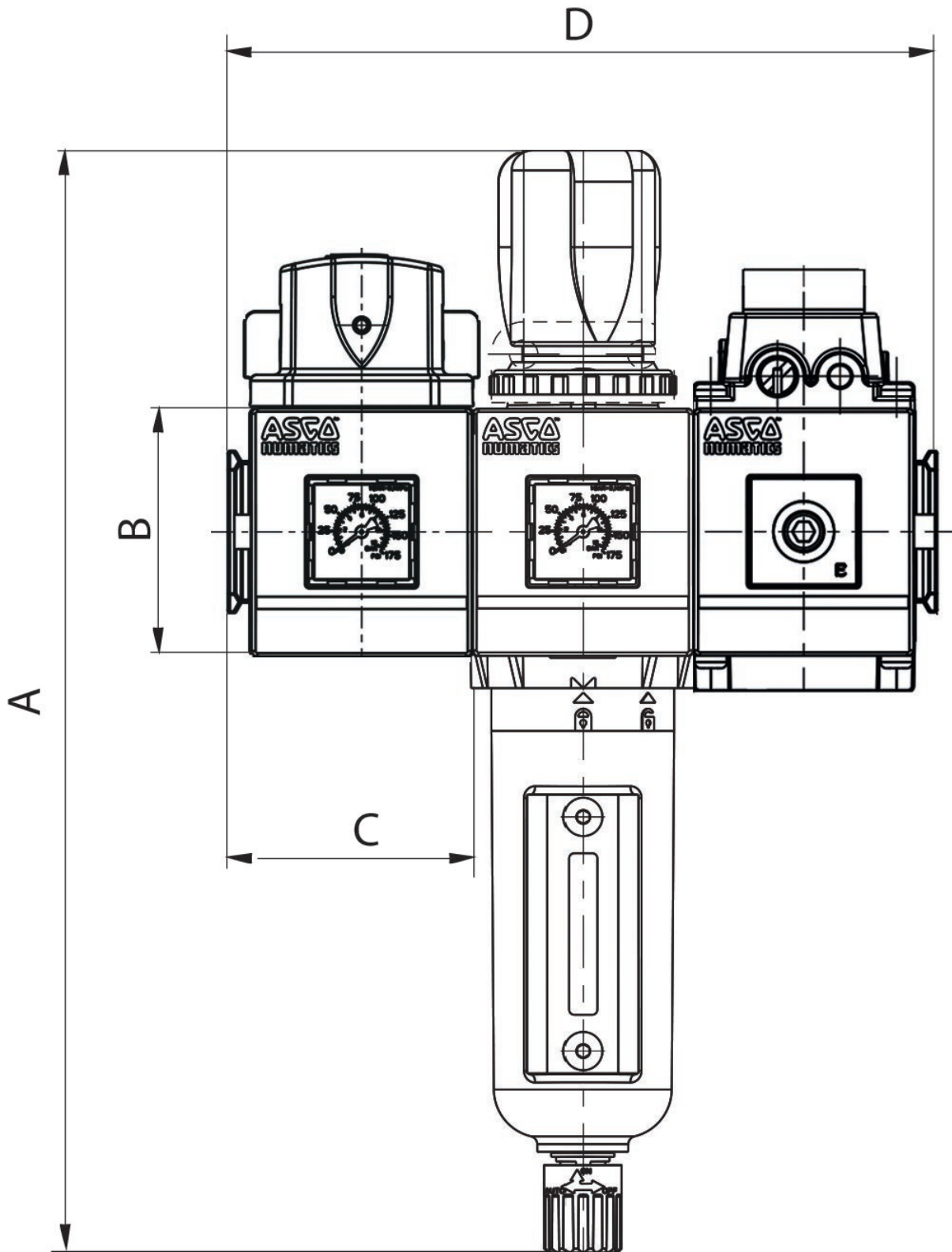
Technical information

The pressure dew point must be at least 15 °C less than ambient and medium temperature and may not exceed 3 °C.

The oil content of compressed air must remain constant during the life cycle.

Use only the approved oils from AVENTICS. Further information can be found in the “Technical information” document (available in <https://www.emerson.com/en-us/support>).

Dimensions



Series	651
A	241
B	56
C	50
D	150

Accessories overview

