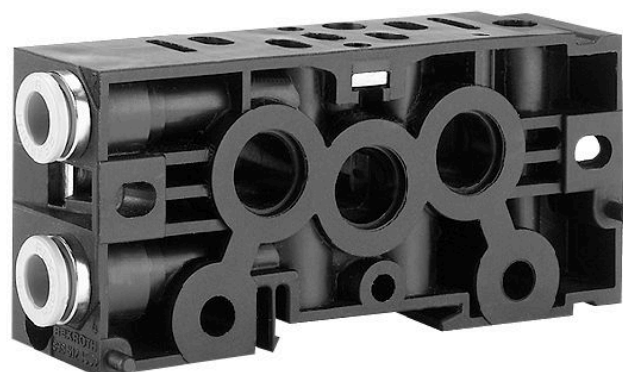


Base plate, ports 2 and 4 on side

8985121052

ISO 15407-1, Base and end plates



Technical data

Industry
Industrial

Type
Base plate

Direction of pneumatic port (2,4)
On the side

Compressed air connection output
Ø 8x1

Frame size
26 mm

Standards
ISO 15407-1

Working pressure min.
-0.95 bar

Working pressure max
16 bar

Min. ambient temperature
-25 °C

Direction of pneumatic port (3,5)
On the side

Exhaust type
Ports separated

Exhaust (3,5)
With directional exhaust (3/5)

Max. ambient temperature
70 °C

Min. medium temperature
-25 °C

Max. medium temperature
70 °C

Medium
Compressed air

Max. number of valve positions
1

Grid dimension
27 mm

Mounting screw
with hexagon socket

Tightening torque for mounting screws
4 Nm

Material

Material base plate
Polyamide fiber-glass reinforced

Seal material
Acrylonitrile butadiene rubber

Part No.
8985121052

Technical information

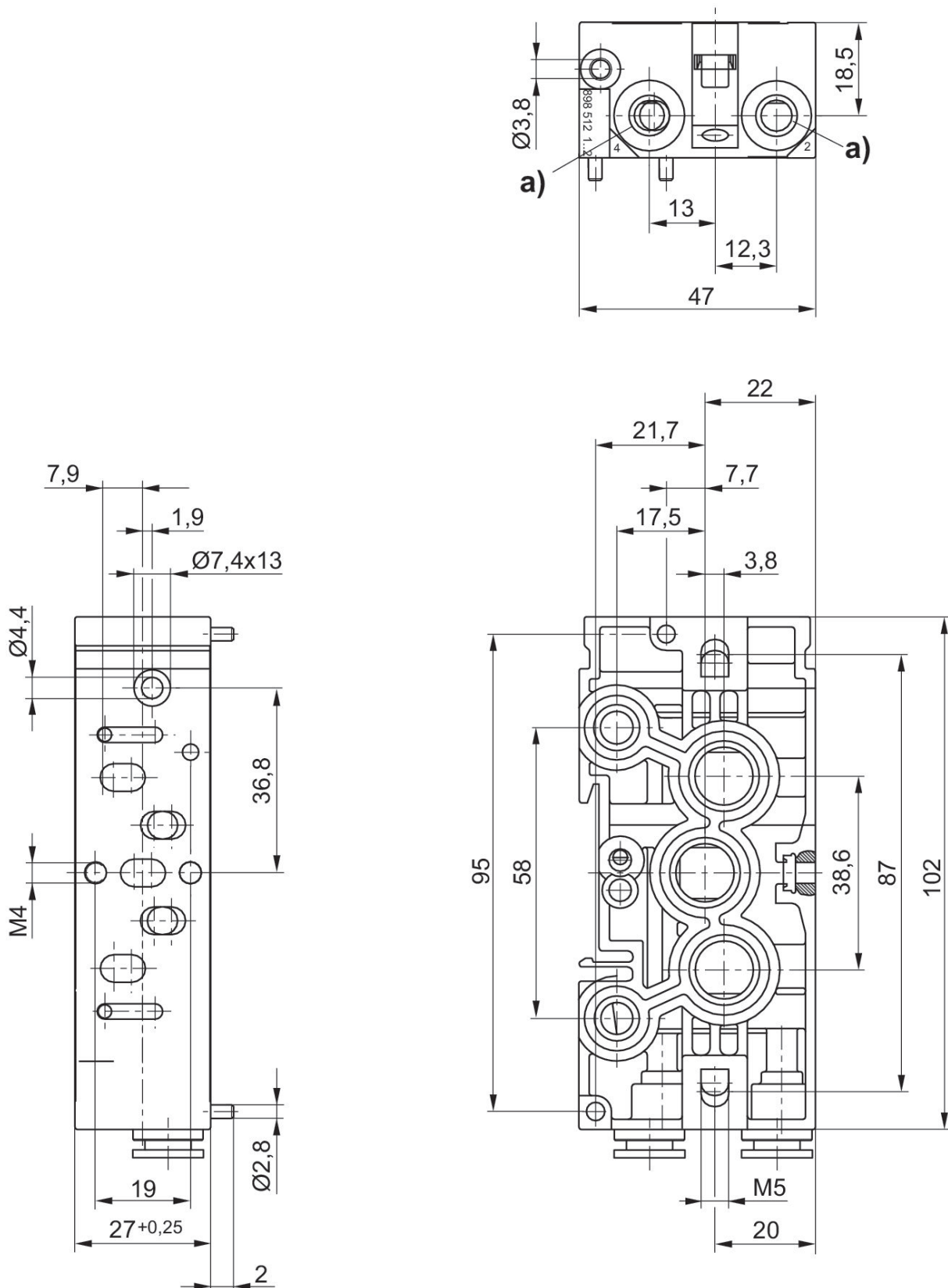
The min. control pressure must be adhered to, since otherwise faulty switching and valve failure may result!

The pressure dew point must be at least 15 °C under ambient and medium temperature and may not exceed 3 °C .

The oil content of compressed air must remain constant during the life cycle.

Use only the approved oils from AVENTICS. Further information can be found in the “Technical information” document (available in <https://www.emerson.com/en-us/support>).

Dimensions



a) push-in fitting or thread connection