

8985003902



Technical data

Industry

Industrial

Type

Manifold strip

Type

Supply plate, complete with O-rings

Min. working pressure

0 bar

Max. working pressure

10 bar

Min. ambient temperature

-15 °C

Max. ambient temperature

50 °C

Medium

Compressed air

Weight

0.245 kg

Material

Material base plate

Polyoxymethylene

Seal material

Acrylonitrile butadiene rubber

Part No.

8985003902

Technical information

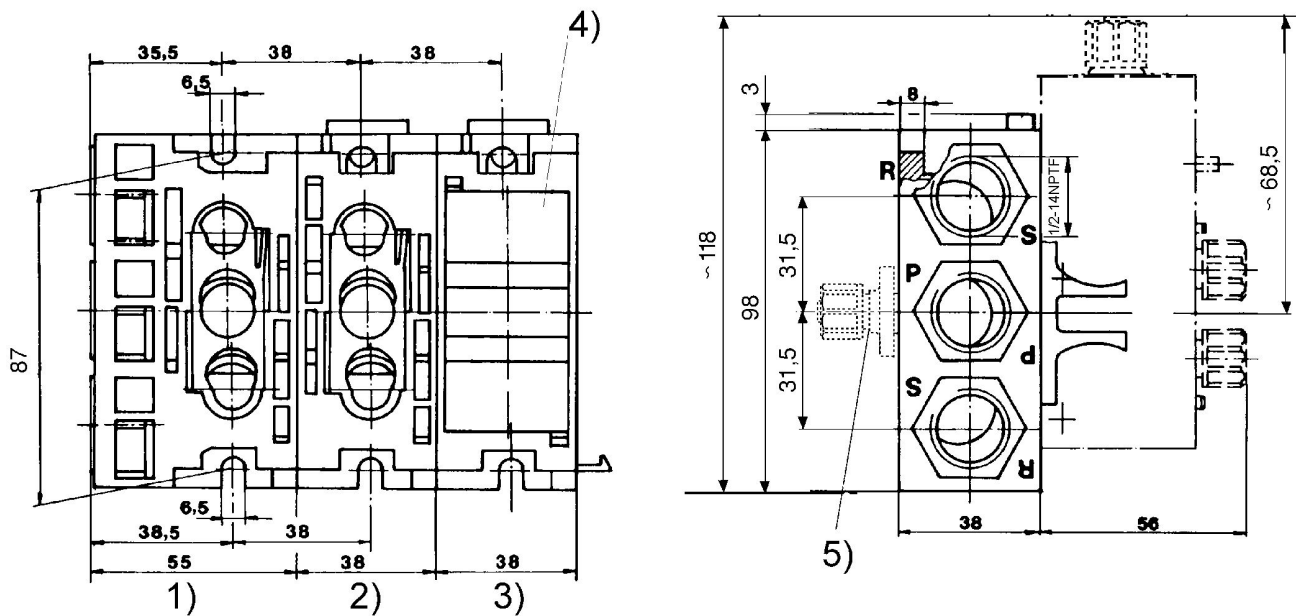
The min. control pressure must be adhered to, since otherwise faulty switching and valve failure may result!

The pressure dew point must be at least 15 °C less than ambient and medium temperature and may not exceed 3 °C.

The oil content of compressed air must remain constant during the life cycle.

Use only the approved oils from AVENTICS. Further information can be found in the "Technical information" document (available in <https://www.emerson.com/en-us/support>).

Dimensions



Tightening torque for all screws max. 35 Nm 1) Inlet plate 2) Through plate 3) End plate 4) Dummy flange 5) Adapter for separate air supply