

# Adapter, Series CON-VP

8946053622

Adapter



## Technical data

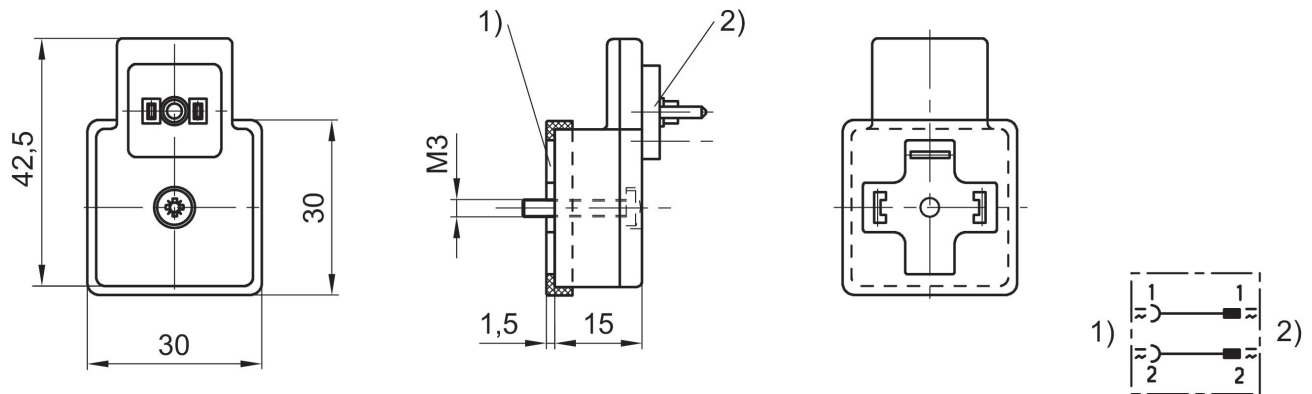
|                               |                            |
|-------------------------------|----------------------------|
| Industry                      | Industrial                 |
| Type                          | from form A to form C      |
| Type                          | Adapters & contact bridges |
| Shielding                     | unshielded                 |
| Min. ambient temperature      | -25 °C                     |
| Max. ambient temperature      | 50 °C                      |
| Max. current                  | 0.5 A                      |
| Type                          | from form A to form C      |
| Protection class              | IP65                       |
| Protection class              | IP65                       |
| Operational voltage           | 42 V DC                    |
| Electrical connection 1, type | Socket                     |
| Cable exit                    | straight                   |
| Cable exit angle              | 180°                       |
| Electrical connection 2, type | Plug                       |
| Cable exit                    | straight                   |
| Cable exit angle              | 180°                       |
| Weight                        | 0.013 kg                   |

## Material

Housing material  
Part No.

Polyamide  
8946053622

## Dimensions



- 1) contact as per DIN EN 175301-803, form A  
2) contact as per DIN EN 175301-803, form C