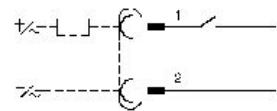
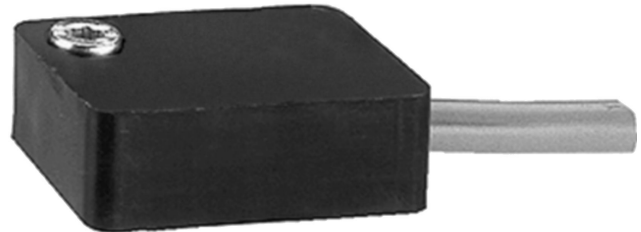


AVENTICS Series SN6 Magnetic proximity sensors

AVENTICS Series SN6 Reed Magnetic sensors that fit with tie rod cylinders, heat and shock resistance make this sensor perfect for demanding applications.



Technical data

Industry	Industrial
Indirect mounting for series	TRB ITS
Version	Heat resistant
Cable	with cable
Type of contact	Reed
Switching capacity	60 W / 60 VA
Protection class	IP67 IP65
Min. ambient temperature	-20 °C
Max. ambient temperature	105 °C
Max. DC switching current	3 A
Max. AC switching current	3 A
Switching point precision	±0,1 mT
LED status display	Yellow
Electrical connection 2, type	without wire end ferrule, tin-plated
Electrical connection 2, number of poles	2-pin
Min. operating voltage DC	10 V DC
Max. operating voltage DC	48 V DC
Min. operating voltage AC	10 V AC

Sensor, Series SN6

8940411902

Sensors,
Series SN6

2023-10-19

Max. operational voltage AC	48 V AC
Short circuit resistance	Protected against polarity reversal
Shock resistance	50 g / 11 ms
Vibration resistance	35 g (50 - 2000 Hz)
Cable length L	2.5 m

Material

Housing material	Polyester amide
Material cable sheath	Polyvinyl chloride
Part No.	8940411902

Technical information

The pressure dew point must be at least 15 °C less than ambient and medium temperature and may not exceed 3 °C.

The oil content of compressed air must remain constant during the life cycle.

Use only the approved oils from AVENTICS. Further information can be found in the "Technical information" document (available in <https://www.emerson.com/en-us/support>).

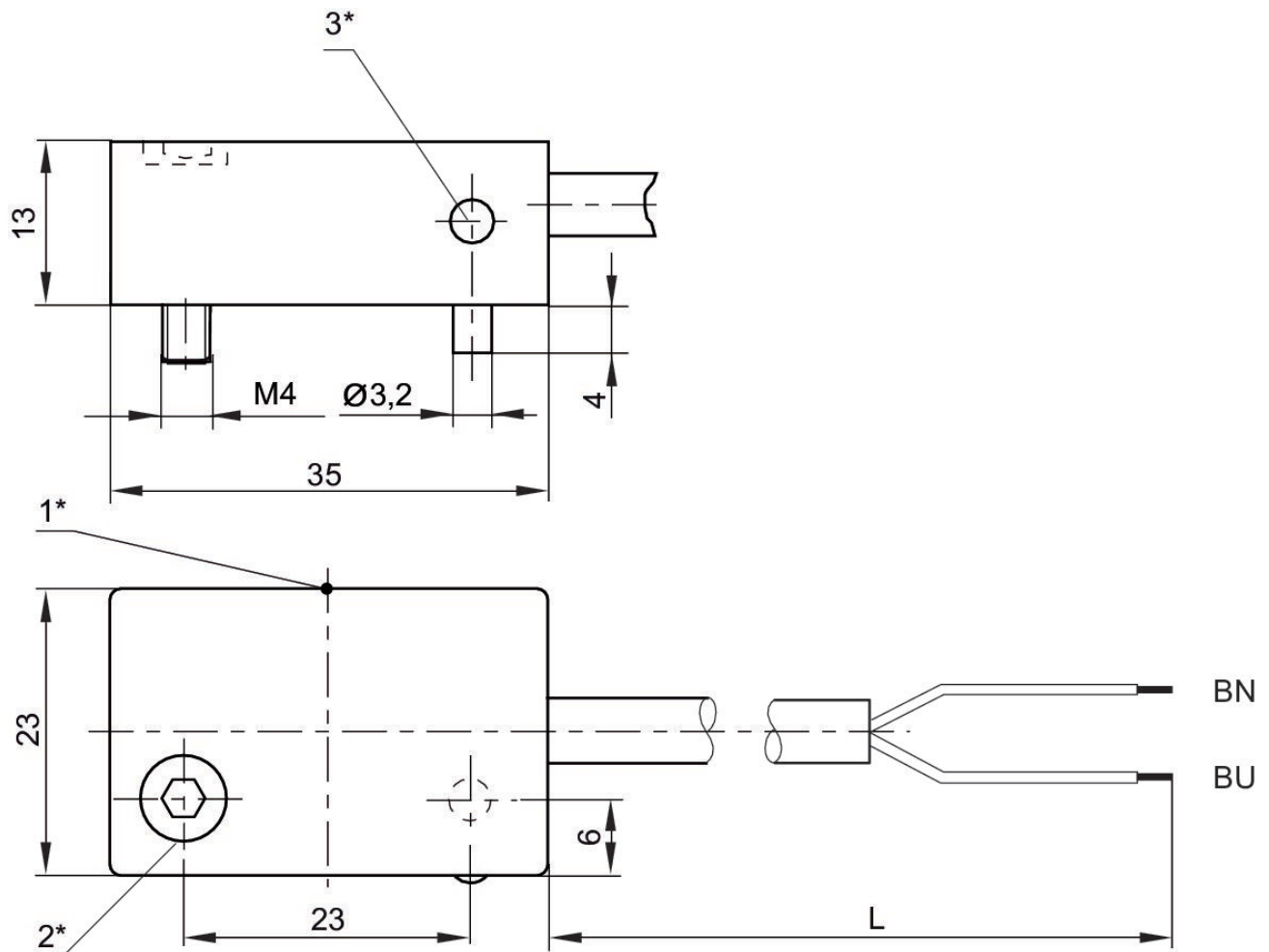
Sensor, Series SN6

8940411902

Sensors,
Series SN6

2023-10-19

Dimensions



1* = switching point 2* = clamping screw 3* = LED
L = cable length BN=brown, BU=blue