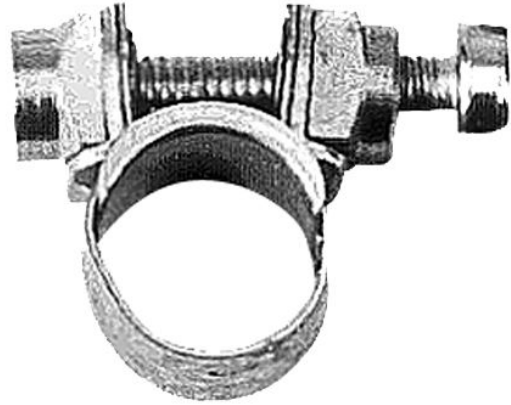


Tubing clamp for reinforced plastic tubing, DIN 3017, single-zone clamp

2024-05-06

8935190002



Technical data

Industry	Industrial
Type	Ø 9
Delivery unit	25 piece
Weight	0.004 kg

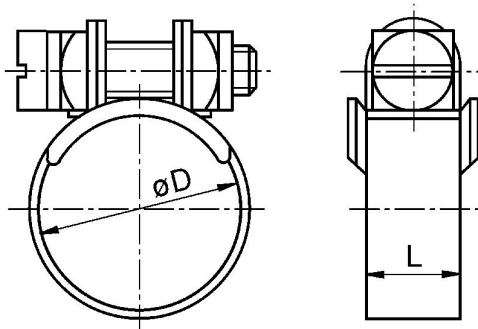
Material

Housing material	Steel, chrome-plated
Surface housing	galvanized
Part No.	8935190002

Tubing clamp for reinforced plastic tubing, DIN 3017, single-zone clamp

2024-05-06

8935190002
Dimensions



Part No.	$\varnothing D$	L
8935190002	9	9
8935190012	13	9
8935190022	20	9