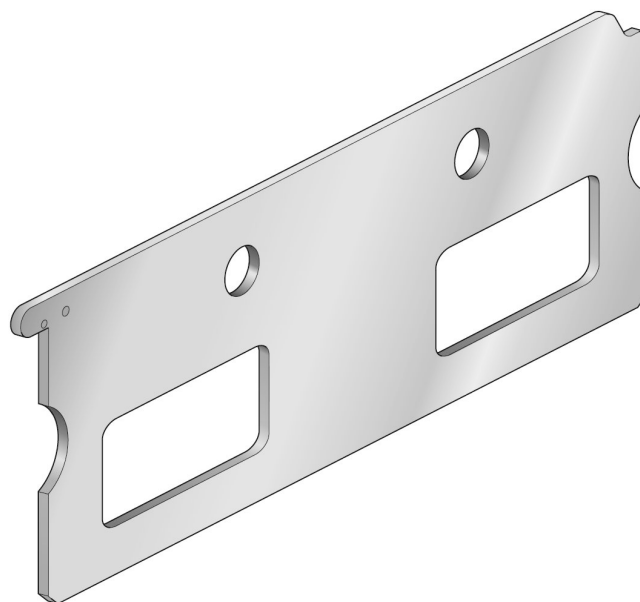


# Transition plate, Series 355, ISO 2

88135511



## Technical data

### Type

Port 3, 5 open

### Frame size

ISO 2

### Min. ambient temperature

-10 °C

### Max. ambient temperature

60 °C

## Material

### Material base plate

Galvanized Steel

### Part No.

88135511

## Technical information

The min. control pressure must be adhered to, since otherwise faulty switching and valve failure may result!

The pressure dew point must be at least 15 °C under ambient and medium temperature and may not exceed 3 °C .

## Dimensions

