

End plate, series 502

8502AK431477001



Technical data

Compressed air connection input

3/8 NPT

Port exhaust

3/8" NPTF

Pilot control exhaust

1/8 NPT

Scope of delivery

Left and right end plate, sealing kit, mounting screws

Pilot

Internal

Working pressure min.

-0.95 bar

Working pressure max

10 bar

Min. ambient temperature

-10 °C

Max. ambient temperature

50 °C

Min. medium temperature

-10 °C

Max. medium temperature

50 °C

Medium

Compressed air

Protection class

IP65

Weight

0.99 kg

Material

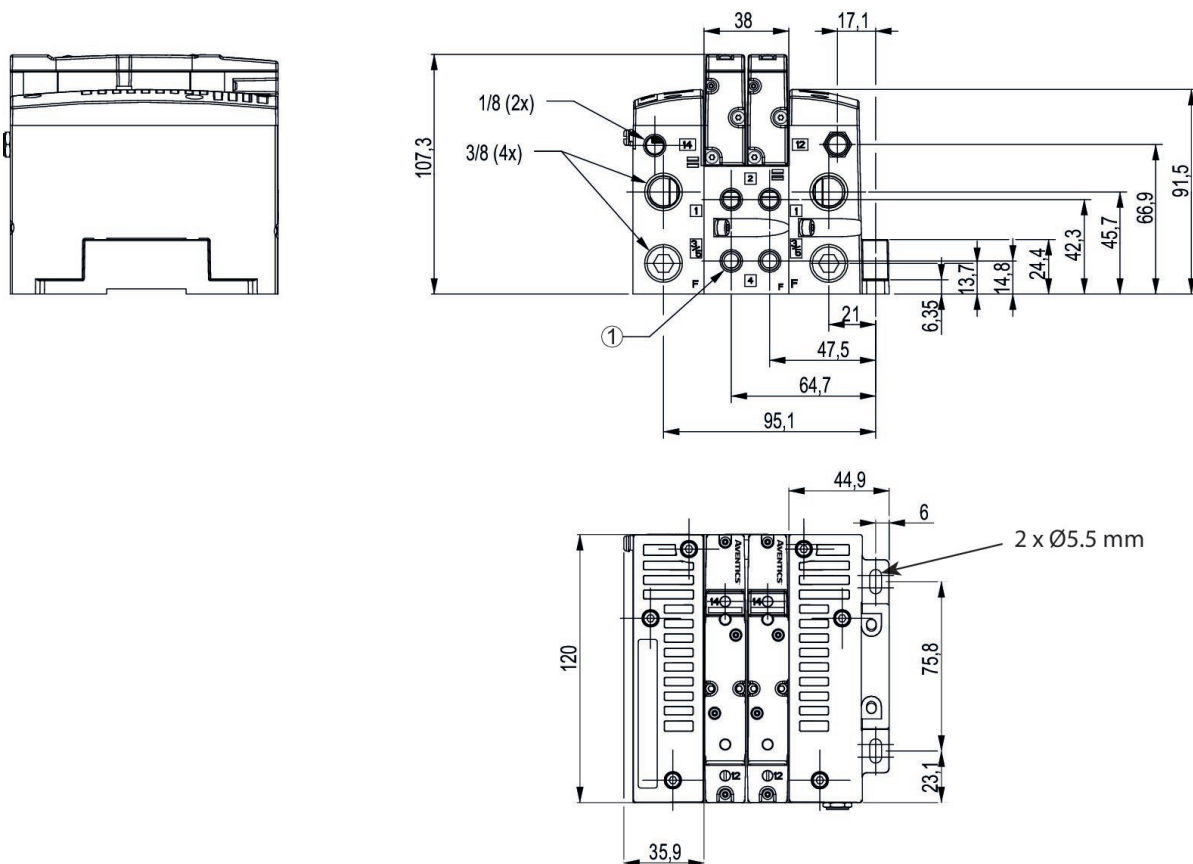
Housing material	Die-cast aluminum
Seal material	Acrylonitrile butadiene rubber
Screws material	Galvanized Steel
Part No.	8502AK431477001

Technical information

The pressure dew point must be at least 15 °C less than ambient and medium temperature and may not exceed 3 °C.

The oil content of compressed air must remain constant during the life cycle.

Dimensions



1) Push-in fitting 1/8