



技术数据

行业

类型

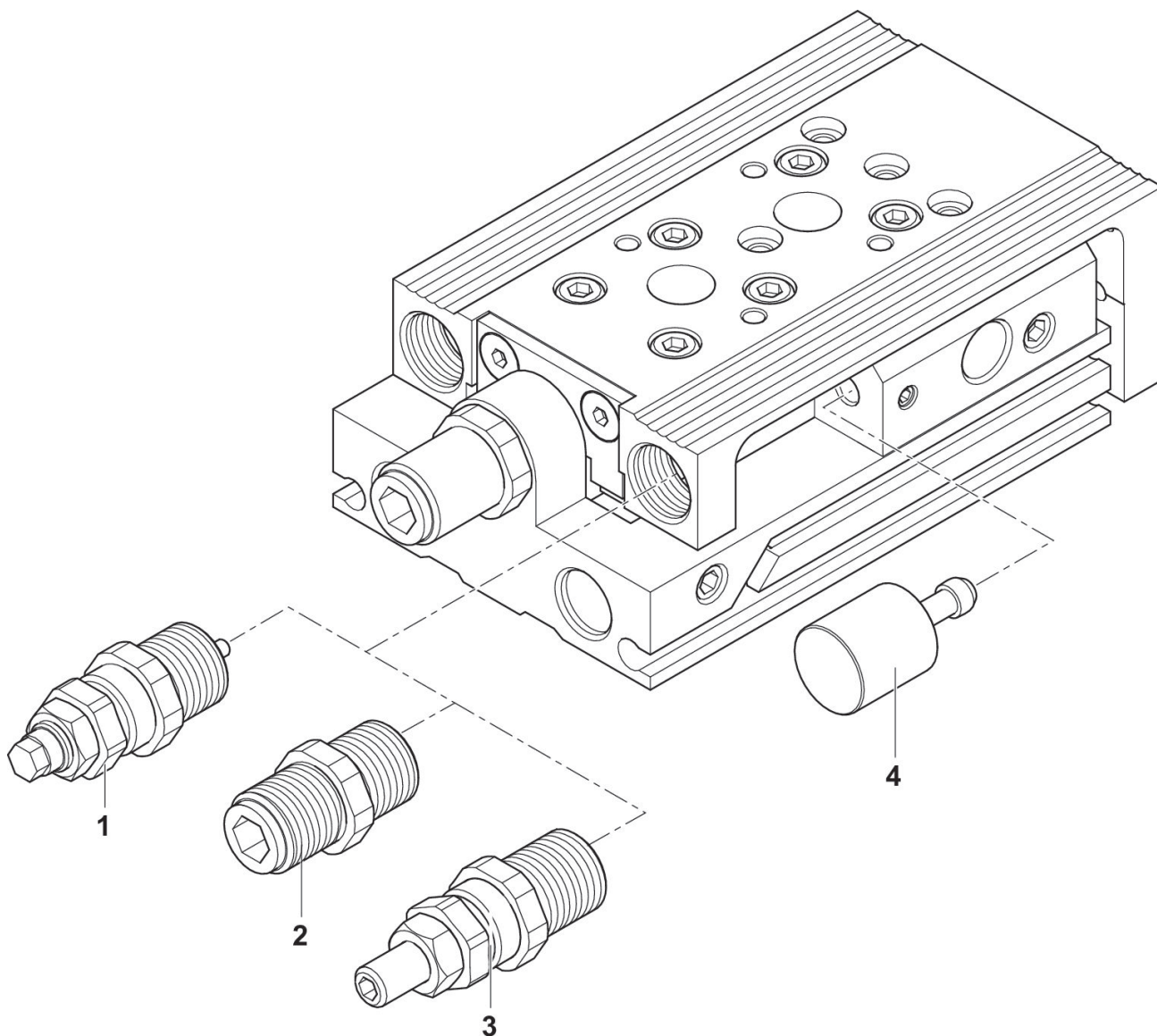
物料号

工业

MSC-20 / 25

7472D00623

规格



| 物料号 | 类型 | 单个零件 | 行程 | 额外行程极限 (单位 mm) | Ø8 | Ø12 | Ø16 | Ø20 | Ø25 |
|------------|-----------|------|----|-------------------|--------|--------|--------|--------|--------|
| R422100795 | MSC-08-HM | 1) | - | - | - | MSC-HM | - | - | - |
| R422100796 | MSC-08-EE | 2) | - | - | - | MSC-EE | - | - | - |
| R422100797 | MSC-12-HM | 1) | - | - | - | - | MSC-HM | MSC-HM | - |
| R422100798 | MSC-12-EE | 2) | - | - | - | - | MSC-EE | MSC-EE | - |
| R422100799 | MSC-20-HM | 1) | - | - | - | - | - | - | MSC-HM |
| R422100800 | MSC-20-EE | 2) | - | - | - | - | - | - | MSC-EE |
| R422100801 | MSC-25-HM | 1) | - | - | - | - | - | - | MSC-HM |
| R422100802 | MSC-25-EE | 2) | - | - | - | - | - | - | MSC-EE |
| R412021913 | MSC-08-EM | 3) | - | - | MSC-EM | - | - | - | - |
| R412021914 | MSC-12-EM | 3) | - | - | - | MSC-EM | MSC-EM | - | - |

行程设置附件

2024-01-19

7472D00623

| 物料号 | 类型 | 单个零件 | 行程 | 额外行程极限 (单位 mm) | Ø8 | Ø12 | Ø16 | Ø20 | Ø25 |
|------------|-------------|------|--------------------|-------------------|----|-----|-----|--------|--------|
| R412021915 | MSC-20-EM | 3) | - | - | - | - | - | MSC-EM | - |
| R412021916 | MSC-25-EM | 3) | - | - | - | - | - | - | MSC-EM |
| 7472D00616 | MSC-08 | 4) | 30-80 | 10 | - | - | - | - | - |
| 7472D00626 | MSC-08 | 4) | 30-80 | 20 | - | - | - | - | - |
| R412021836 | MSC-08 | 4) | 40-80 | 30 | - | - | - | - | - |
| 7472D00620 | MSC-12 / 16 | 4) | 30-100 / 30-150 | 10 | - | - | - | - | - |
| 7472D00619 | MSC-12 / 16 | 4) | 30-100 / 30-150 | 20 | - | - | - | - | - |
| R412022650 | MSC-12 / 16 | 4) | 30-100 / 30-150 | 30 | - | - | - | - | - |
| 7472D00623 | MSC-20 / 25 | 4) | 30-200 | 10 | - | - | - | - | - |
| 7472D00622 | MSC-20 / 25 | 4) | 30-200 | 20 | - | - | - | - | - |
| 7472D00625 | MSC-20 / 25 | 4) | 40-200 | 30 | - | - | - | - | - |