



## Données techniques

Secteur

Industrie

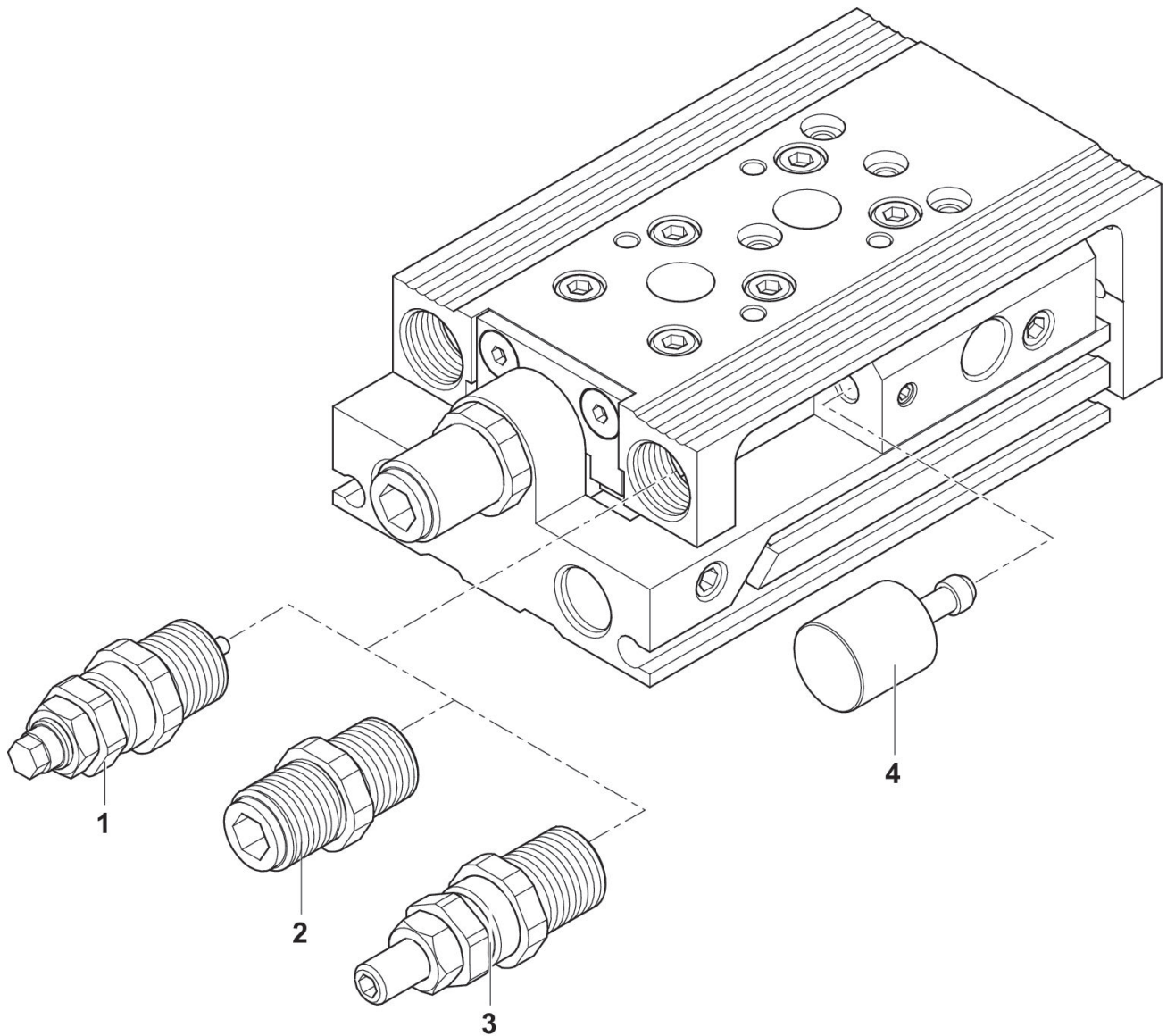
Type

MSC-12 / 16

Référence

7472D00619

## Dimensions



| Référence  | Type      | Composants | Course | Limiteur de course supplémentaire en mm | Ø8     | Ø12    | Ø16    | Ø20    | Ø25    |
|------------|-----------|------------|--------|---|--------|--------|--------|--------|--------|
| R422100795 | MSC-08-HM | 1)         | -      | -                                       | -      | MSC-HM | -      | -      | -      |
| R422100796 | MSC-08-EE | 2)         | -      | -                                       | -      | MSC-EE | -      | -      | -      |
| R422100797 | MSC-12-HM | 1)         | -      | -                                       | -      | -      | MSC-HM | MSC-HM | -      |
| R422100798 | MSC-12-EE | 2)         | -      | -                                       | -      | -      | MSC-EE | MSC-EE | -      |
| R422100799 | MSC-20-HM | 1)         | -      | -                                       | -      | -      | -      | -      | MSC-HM |
| R422100800 | MSC-20-EE | 2)         | -      | -                                       | -      | -      | -      | -      | MSC-EE |
| R422100801 | MSC-25-HM | 1)         | -      | -                                       | -      | -      | -      | -      | MSC-HM |
| R422100802 | MSC-25-EE | 2)         | -      | -                                       | -      | -      | -      | -      | MSC-EE |
| R412021913 | MSC-08-EM | 3)         | -      | -                                       | MSC-EM | -      | -      | -      | -      |

# Accessoires de réglage de course

2024-01-18

7472D00619

| Référence  | Type        | Composants | Course          | Limiteur de course supplémentaire en mm | Ø8 | Ø12    | Ø16    | Ø20    | Ø25    |
|------------|-------------|------------|-----------------|---|----|--------|--------|--------|--------|
| R412021914 | MSC-12-EM   | 3)         | –               | –                                       | –  | MSC-EM | MSC-EM | –      | –      |
| R412021915 | MSC-20-EM   | 3)         | –               | –                                       | –  | –      | –      | MSC-EM | –      |
| R412021916 | MSC-25-EM   | 3)         | –               | –                                       | –  | –      | –      | –      | MSC-EM |
| 7472D00616 | MSC-08      | 4)         | 30-80           | 10                                      | –  | –      | –      | –      | –      |
| 7472D00626 | MSC-08      | 4)         | 30-80           | 20                                      | –  | –      | –      | –      | –      |
| R412021836 | MSC-08      | 4)         | 40-80           | 30                                      | –  | –      | –      | –      | –      |
| 7472D00620 | MSC-12 / 16 | 4)         | 30-100 / 30-150 | 10                                      | –  | –      | –      | –      | –      |
| 7472D00619 | MSC-12 / 16 | 4)         | 30-100 / 30-150 | 20                                      | –  | –      | –      | –      | –      |
| R412022650 | MSC-12 / 16 | 4)         | 30-100 / 30-150 | 30                                      | –  | –      | –      | –      | –      |
| 7472D00623 | MSC-20 / 25 | 4)         | 30-200          | 10                                      | –  | –      | –      | –      | –      |
| 7472D00622 | MSC-20 / 25 | 4)         | 30-200          | 20                                      | –  | –      | –      | –      | –      |
| 7472D00625 | MSC-20 / 25 | 4)         | 40-200          | 30                                      | –  | –      | –      | –      | –      |