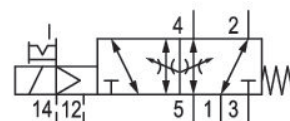
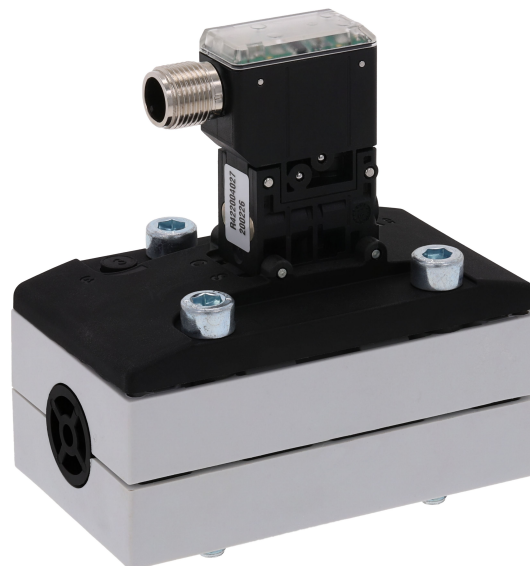


# 5/2-directional valve, Series 581, size 2

## 5812113710

ISO 5599-1, size 2, series 581

■  $Q_n = 2100 \dots 2700$  l/min



### Technical data

Industry  
Industrial

Activation  
Electrically

Nominal flow  $Q_n$   
2700 l/min

Switching principle  
5/2

Compressed air connection output  
Base plate ISO 5599-1

Working pressure min.  
-0.95 bar

Working pressure max.  
10 bar

DC operating voltage  
24 V

Voltage tolerance DC  
-10% / +10%

Manual override  
with detent

Electrical connection type  
Plug

Electrical connection size  
M12

Electr. connection  
4-pin

Actuating control  
Single Solenoid

Sealing principle  
Soft Seal

Pilot  
External

Standards  
ISO 5599-1

Pilot valve width  
22 mm

|   |   |
|---|---|
| Valve type<br>Spool valve                                   | Max. medium temperature<br>50 °C                          |
| Blocking principle<br>Single base plate principle           | Medium<br>Compressed air                                  |
| Connection type<br>Plate connection                         | Max. particle size<br>5 µm                                |
| Return<br>With spring return                                | Oil content of compressed air min.<br>0 mg/m <sup>3</sup> |
| Compressed air connection input<br>Base plate ISO 5599-1    | Oil content of compressed air max.<br>5 mg/m <sup>3</sup> |
| Compressed air connection, exhaust<br>Base plate ISO 5599-1 | Protection class with connection<br>IP65                  |
| Compressed air connection pilot exhaust<br>M5               | Duty cycle<br>100 %                                       |
| Power consumption DC<br>0.35 W                              | Typ. switch-on time<br>15 ms                              |
| Flow conductance C<br>10.8 l/(s*bar)                        | Typ. switch-off time<br>35 ms                             |
| Throttle<br>with throttle                                   | mounting screws<br>with hexagon socket                    |
| Frame size<br>ISO 2   | Mounting screw tightening torque<br>3.5 Nm                |
| Control pressure min.<br>3 bar                              | Weight<br>0.28 kg   |
| Control pressure max.<br>10 bar                             | Housing material<br>Polyamide fiber-glass reinforced      |
| Min. ambient temperature<br>0 °C                            | Seal material<br>Acrylonitrile butadiene rubber           |
| Max. ambient temperature<br>50 °C                           | Part No.<br>5812113710                                    |
| Min. medium temperature<br>0 °C                             |   |

## Technical information

Switch-on power: 1 W for 40 ms

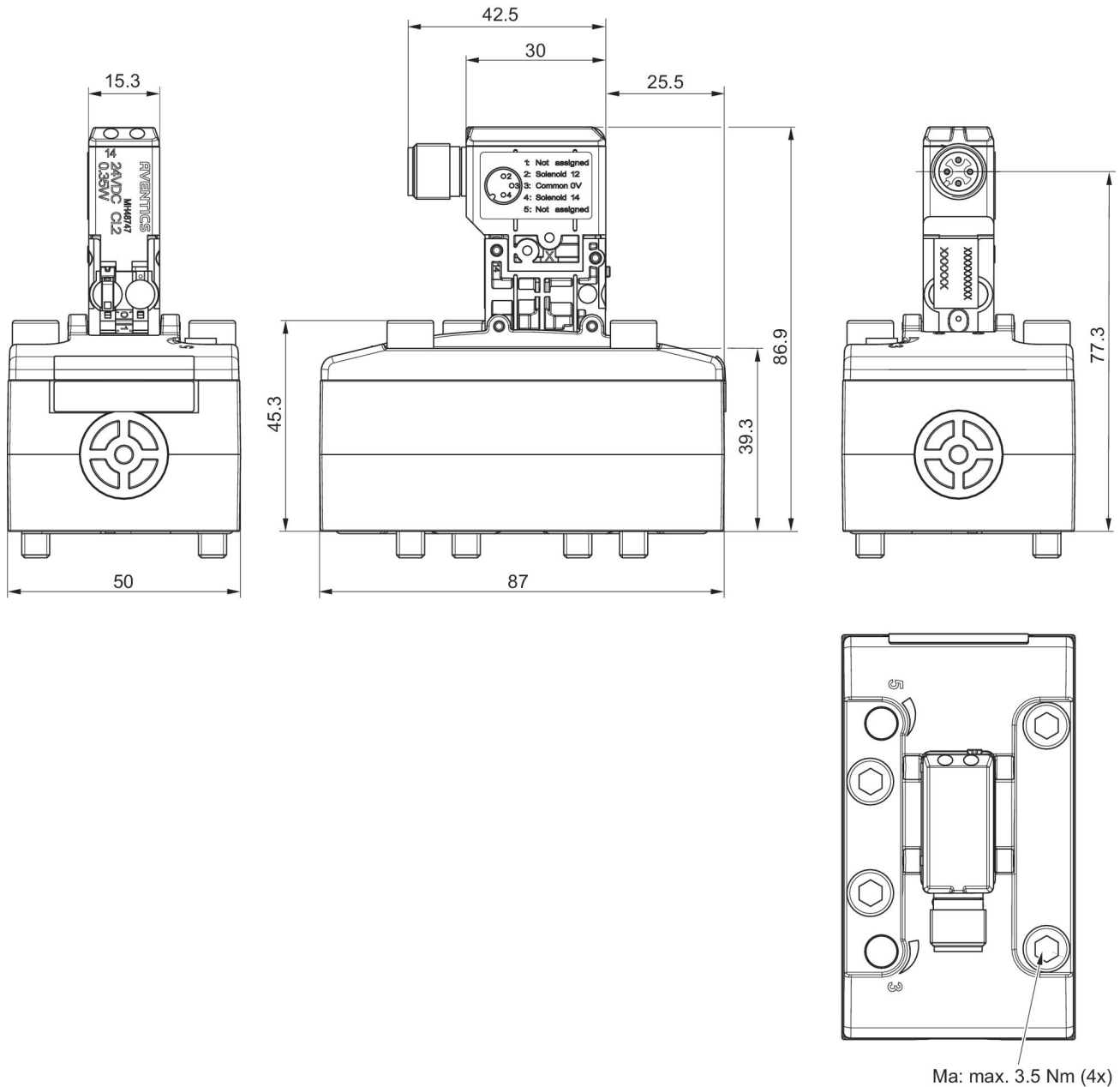
The min. control pressure must be adhered to, since otherwise faulty switching and valve failure may result!

The pressure dew point must be at least 15 °C under ambient and medium temperature and may not exceed 3 °C .

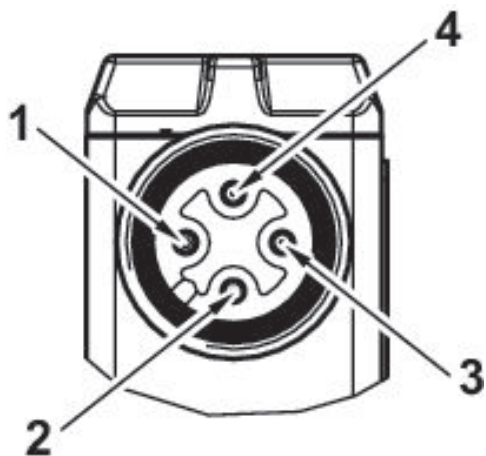
The oil content of compressed air must remain constant during the life cycle.

Use only the approved oils from AVENTICS. Further information can be found in the "Technical information" document (available in <https://www.emerson.com/en-us/support>).

## Dimensions



## Pin assignments



- 
- 1) not assigned
  - 2) Coil 12
  - 3) 0 V DC
  - 4) Coil 14