

# 3/2-directional valve, Series CD07, single solenoid, -25 °C cold-resistant

5772965302

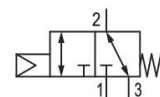
CD07

2025-05-27

- Durable design
- Assembly on base plate
- Suitable for extreme ambient temperatures
- ATEX version available

## AVENTICS Series CD07 Directional valves

The AVENTICS Series CD consists of various spool valves with an extremely durable die-cast zinc housing. Its electrical, pneumatic, or mechanical actuating controls (roller, lever, pedal, or plunger) make the Series CD ideal for applications in harsh environments. For demanding environments



## Technical data

Industry

Industrial

Activation

Electrically operated

Frame size

CD07

Valve type

Spool valve, positive overlapping

Basic valve equipment

Basic valve without coil

Switching principle

3/2, with spring return

Valve function

NC/NO

Sealing principle

Soft seal

Connection type

Pipe connection

Manual override

without

Compressed air connection

G 1/4

Standard compressed air connection

according to ISO 228-1

Compressed air connection input

G 1/4

Compressed air connection output

G 1/4

Compressed air connection, exhaust

G 1/4

Pilot control exhaust

with directional pilot air exhaust

Nominal flow Qn

1400 l/min

# 3/2-directional valve, Series CD07, single solenoid, -25 °C cold-resistant

5772965302

CD07

2025-05-27

Nominal flow Qn 1 to 2	1400 l/min
Nominal flow Qn 2 to 3	1400 l/min
Min. working pressure	3 bar
Max. working pressure	10 bar
Min. control pressure	3 bar
Max. control pressure	10 bar
Pilot	Internal
Pilot valve width	30 mm
Compatibility index	53 54
Duty cycle	100 %
Temperature resistance	-25 °C cold-resistant
Certificates	ATEX optional
Min. ambient temperature	-25 °C
Max. ambient temperature	50 °C
Min. medium temperature	-25 °C
Max. medium temperature	50 °C
Medium	Compressed air
Min. oil content of compressed air	0 mg/m <sup>3</sup>
Max. oil content of compressed air	1 mg/m <sup>3</sup>
Max. particle size	50 µm

## Material

Housing material	Die cast zinc Polyamide fiber-glass reinforced
Seal material	Acrylonitrile butadiene rubber

Part No. 5772965302

# 3/2-directional valve, Series CD07, single solenoid, -25 °C cold-resistant

5772965302

CD07

2025-05-27

## Technical information

Nominal flow  $Q_n$  at 6 bar and  $\Delta p = 1$  bar

ATEX optional: ATEX version can be produced by combining the basic valve without coil with an ATEX coil. ATEX ID: see ATEX coils catalog page.

option valve: The input and output compressed air connections can be exchanged. The valve can thereby be used in the NC or NO operating mode.

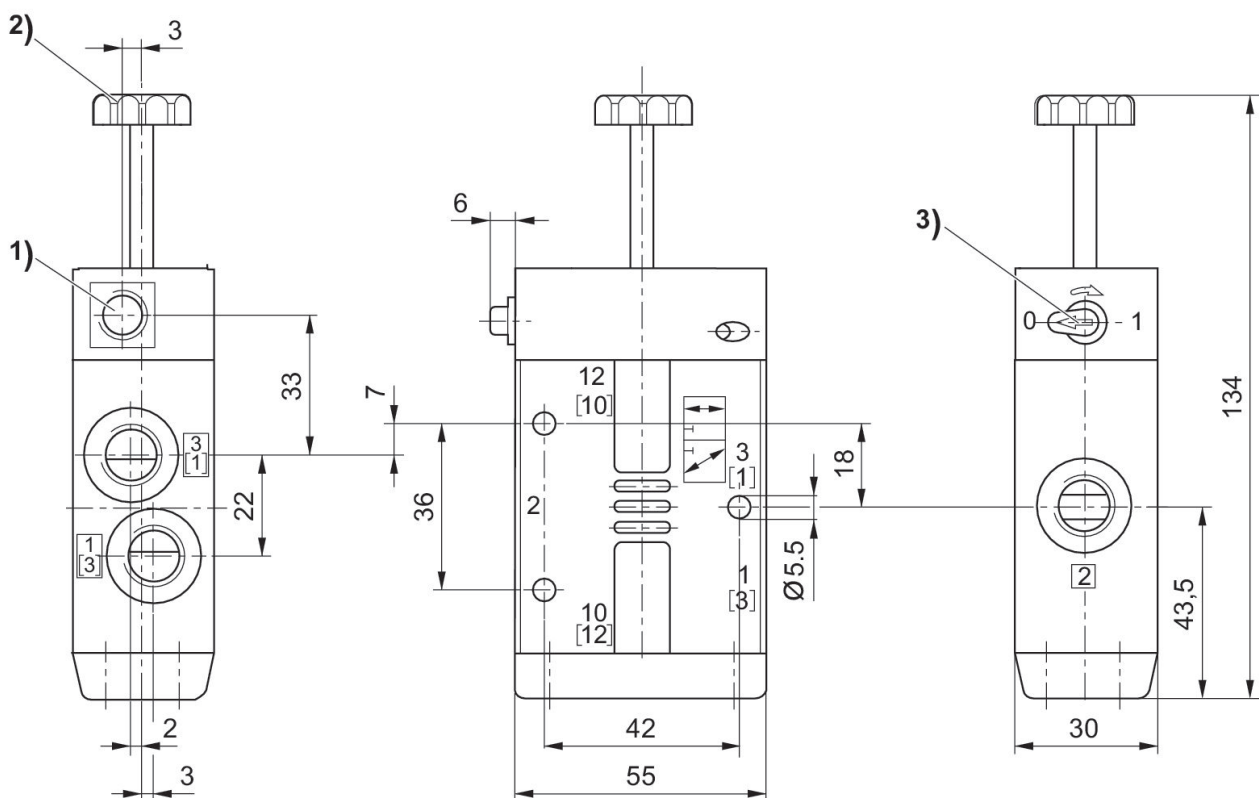
The min. control pressure must be adhered to, since otherwise faulty switching and valve failure may result!

The pressure dew point must be at least 15 °C less than ambient and medium temperature and may not exceed 3 °C.

The oil content of compressed air must remain constant during the life cycle.

Use only the approved oils from AVENTICS. Further information can be found in the "Technical information" document (available in <https://www.emerson.com/en-us/support>).

## Dimensions in mm



- 1) Only with separate pilot control G 1/8
- 2) After removal of cap M 5 internal thread
- 3) Manual override