

Series 840

The AVENTICS Series 740/840 feature directional valves with soft, abrasion-free diaphragm technology. The simple, reliable and robust design is suitable for all air qualities and ensures high repeatability and unsurpassed service life. Due to its high resilience, the corrosion-resistant polyamide housing is also suited for dusty and damp environments.



Technical data

Industry	Industrial
Activation	Electrically
Valve type	Diaphragm poppet valve
Switching principle	4/2, double solenoid
Actuating control	Double Solenoid
Sealing principle	Soft seal
Connection type	Pipe connection
Manual override	with detent
Compressed air connection input	Ø 6x1
Compressed air connection output	Ø 6x1
Compressed air connection, exhaust	Ø 6x1
Compressed air connection pilot exhaust	Ø 4,5
Nominal flow Qn	200 l/min
Min. working pressure	1.8 bar
Max. working pressure	10 bar

4/2-directional valve, Series 840

Series 840

5728415420

2025-07-21

Note	The maximum operating pressure depends on the ambient temperature. The following values are applicable: -15 °C ... 50 °C: Operating pressure 1,8 bar... 8 bar possible. -15 °C ... 40 °C: Operating pressure 1,8 bar... 10 bar possible.
Min. control pressure	1.8 bar
Max. control pressure	10 bar
Electrical connection type	Plug
Electrical connection size	EN 175301-803, form C
Connector standard	EN 175301-803, form C
Protection class with connection	IP65
Reverse polarity protection	Protected against polarity reversal
Operational voltage	24 V AC
Operational voltage AC at 50 Hz	24 V
Voltage tolerance AC 50 Hz	-10 % / +15 %
Operational voltage AC at 60 Hz	24 V
Voltage tolerance AC 60 Hz	-10 % / +15 %
Pilot	Internal
Coil width	20 mm
Pilot valve width	22.5 mm
Holding power AC 50 Hz	2.1 VA
Holding power AC 60 Hz	1.9 VA
Switch-on power AC 50 Hz	3 VA
Switch-on power AC 60 Hz	2.6 VA
Duty cycle	100 %
Typ. switch-on time	12 ms
Typ. switch-off time	12 ms
Min. ambient temperature	-15 °C
Max. ambient temperature	50 °C
Min. medium temperature	-15 °C
Max. medium temperature	50 °C
Medium	Compressed air
Min. oil content of compressed air	0 mg/m ³
Max. oil content of compressed air	1 mg/m ³
Max. particle size	50 µm
Mounting on manifold strip	PRS strip

4/2-directional valve, Series 840

Series 840

5728415420

2025-07-21

Weight 0.153 kg

Material

Housing material Polyoxymethylene
Seal material Acrylonitrile butadiene rubber

Part No. 5728415420

Technical information

Versions with voltage of less than 50 V DC do not have a protective ground.

The min. control pressure must be adhered to, since otherwise faulty switching and valve failure may result!

The pressure dew point must be at least 15 °C less than ambient and medium temperature and may not exceed 3 °C.

The oil content of compressed air must remain constant during the life cycle.

Use only the approved oils from AVENTICS. Further information can be found in the "Technical information" document (available in <https://www.emerson.com/en-us/support>).

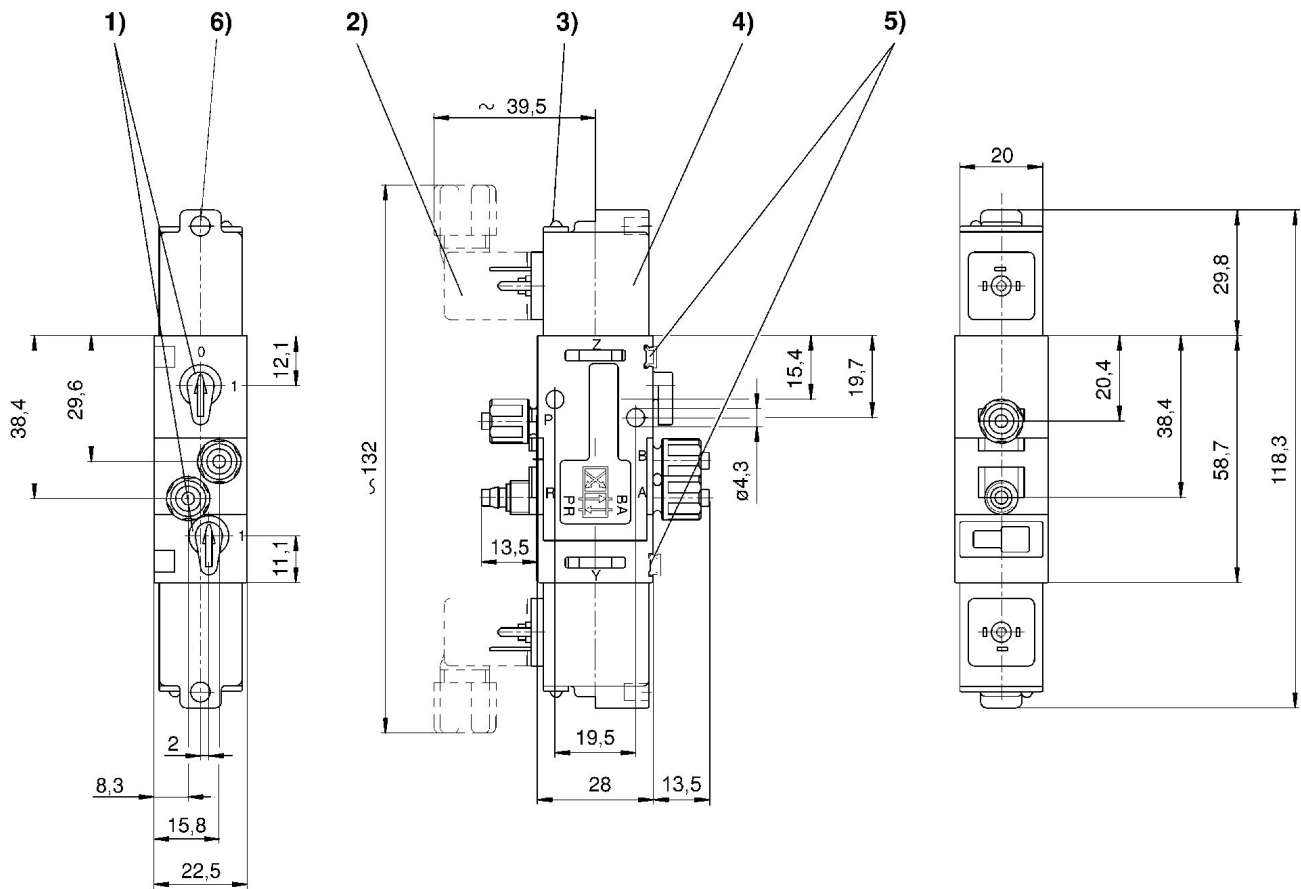
4/2-directional valve, Series 840

5728415420

Series 840

2025-07-21

Dimensions



- 1) Manual override 2) Valve plug connector 3) LED display 4) Coil can be rotated at 180° intervals
5) Mounting space for name plate 6) Hole for M5 fitting or silencer Ø 4.5 mm