

5/2-directional valve, Series CD12, Single Air

Pilot

5725450220

CD12

2025-12-10

Max. working pressure	10 bar
Min. control pressure	2 bar
Max. control pressure	10 bar
Electrical connection type	Plug
Electrical connection size	EN 175301-803, form A
Electrical connection number of poles	3-pin
Protection class with connection	IP65
Reverse polarity protection	Protected against polarity reversal
Operational voltage	24 V DC
Operational voltage DC	24 V
Voltage tolerance DC	-10 % / +10 %
Pilot	Internal
Coil width	30 mm
Pilot valve width	30 mm
Compatibility index	52
Power consumption DC	2.1 W
Duty cycle	100 %
Typ. switch-on time	37 ms
Typ. switch-off time	97 ms
Min. ambient temperature	-25 °C
Max. ambient temperature	50 °C
Min. medium temperature	-25 °C
Max. medium temperature	50 °C
Medium	Compressed air
Min. oil content of compressed air	0 mg/m ³
Max. oil content of compressed air	1 mg/m ³
Max. particle size	50 µm
Weight	1 kg

Material

Housing material	Aluminum Polyamide, fiber-glass reinforced
Seal material	Acrylonitrile butadiene rubber Polyurethane

5/2-directional valve, Series CD12, Single Air Pilot

5725450220

CD12

2025-12-10

Part No.

5725450220

Technical information

ATEX optional: ATEX version can be produced by combining the basic valve without coil with an ATEX coil. ATEX ID: see ATEX coils catalog page.

*Note: Basic valves feature a maximum working pressure of 16 bar. When combined with standard CNOMO pilots, the maximum working pressure is 10 bar.

The min. control pressure must be adhered to, since otherwise faulty switching and valve failure may result!

The pressure dew point must be at least 15 °C less than ambient and medium temperature and may not exceed 3 °C.

The oil content of compressed air must remain constant during the life cycle.

Use only the approved oils from AVENTICS. Further information can be found in the "Technical information" document (available in <https://www.emerson.com/en-us/support>).

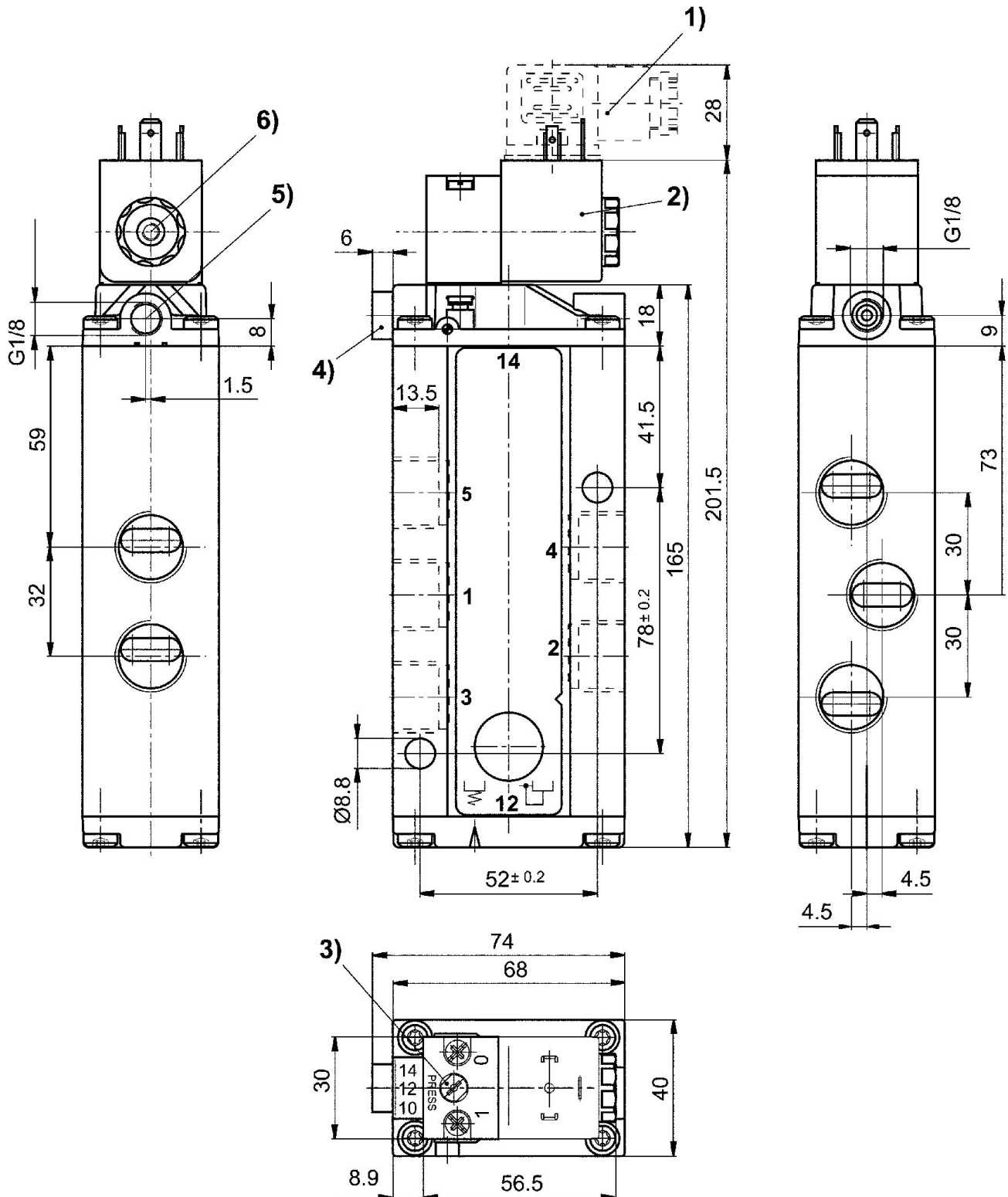
5/2-directional valve, Series CD12, Single Air Pilot

5725450220

CD12

2025-12-10

Dimensions



- 1) Valve plug connector 2) Coil can be rotated at 90° intervals 3) Manual override
 4) Port X (only for externally piloted valves) 5) Exhaust port of piston 6) Pilot valve exhaust, M5