

Single subbase, for series 563-565

5654410000

Series 563, 565, 567



Technical data

Industry
Industrial

Type
Base plate

Direction of pneumatic port (1)
Down

Compressed air connection input
G 1/2

Direction of pneumatic port (2,4)
Down

Compressed air connection output
G 1/2

Working pressure min.
-1 bar

Working pressure max
30 bar

Min. ambient temperature
-20 °C

Max. ambient temperature
120 °C

Max. number of valve positions
1

Direction of pneumatic port (3,5)
Down

Port exhaust
G 1/2

Direction of pneumatic port (12)
Down

Direction of pneumatic port (14)
Down

Compressed air connection 14
G 1/8

Min. medium temperature
-20 °C

Max. medium temperature
120 °C

Medium
Compressed air

Weight
0.37 kg

Material

Material base plate
Die-cast aluminum

Surface base plate
black painted

Surface housing
painted

Part No.
5654410000

Technical information

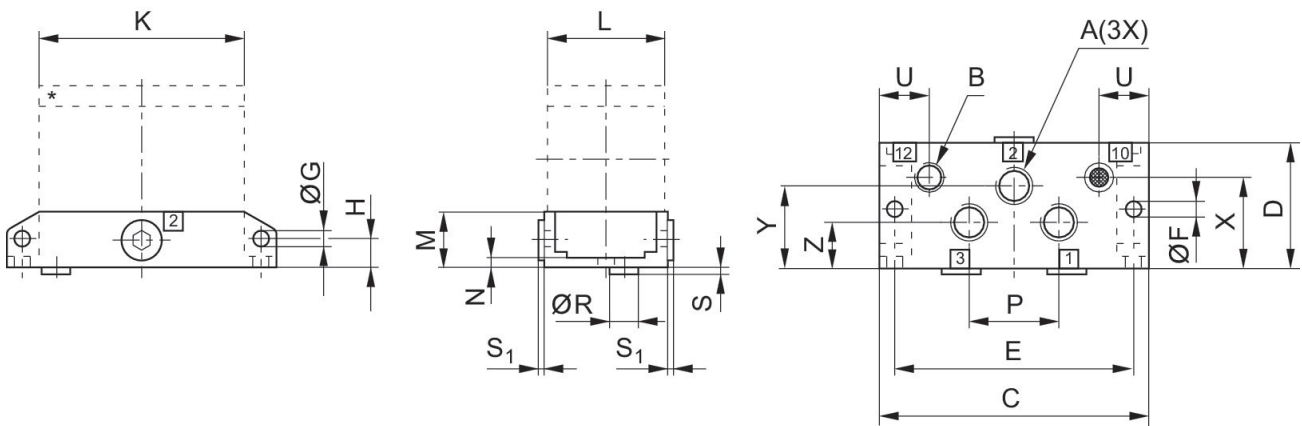
The min. control pressure must be adhered to, since otherwise faulty switching and valve failure may result!

The pressure dew point must be at least 15 °C under ambient and medium temperature and may not exceed 3 °C .

The oil content of compressed air must remain constant during the life cycle.

Use only the approved oils from AVENTICS. Further information can be found in the “Technical information” document (available in <https://www.emerson.com/en-us/support>).

Dimensions



| Part No. | A | B | C | D | E | F | G | H | K |
|------------|-------|-------|-----|----|-----|-----|-----|----|-----|
| R402003177 | G 1/4 | G 1/8 | 96 | 44 | 85 | 5.3 | 5.1 | 10 | 73 |
| 5634410001 | G 1/4 | G 1/8 | 96 | 44 | 85 | 5.3 | 5.1 | 10 | 73 |
| 5644410000 | G 3/8 | G 1/8 | 128 | 56 | 114 | 6.5 | 6.1 | 17 | 100 |

| L | M | N | P | R | S | S1 | U | X | Y |
|----|----|---|----|----|---|-----|------|------|------|
| 42 | 20 | 4 | 32 | 11 | 2 | 3 | 17.5 | 28.5 | 28.5 |
| 42 | 20 | 4 | 32 | 11 | 2 | 3 | 17.5 | 28.5 | 28.5 |
| 52 | 32 | 6 | 56 | 11 | 2 | 3.5 | 21.5 | 40 | 36 |

| Z |
|------|
| 15.5 |
| 15.5 |
| 20 |