

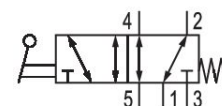
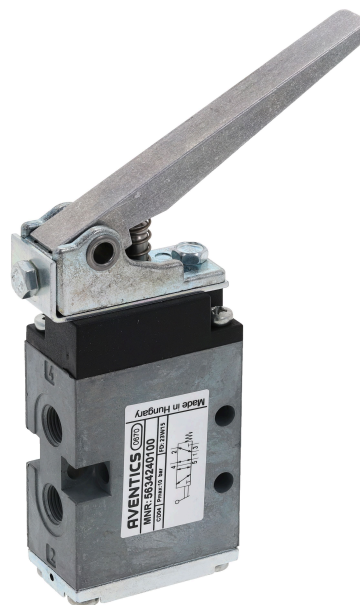
5/2-directional valve, Series CD04

2023-09-07

5634240100

Series CD04

Qn = 900l/min



Technical data

Industry

Industrial

Activation

Mechanical

Valve type

Spool valve, positive overlapping

Actuating control

Single Solenoid

Plate connection

Pipe connection

Actuating element

Hand lever

Sealing principle

soft seal

Lock type

not lockable

Compressed air connection type

Internal thread

Compressed air connection input

G 1/8

Compressed air connection output

G 1/8

Compressed air connection, exhaust

G 1/8

Nominal flow Qn

900 l/min

Working pressure min.

-0.95 bar

Working pressure max

10 bar

actuating force min.

60 N

Min. ambient temperature

-20 °C

Max. ambient temperature

65 °C

5/2-directional valve, Series CD04

2023-09-07

5634240100

Min. medium temperature	-20 °C
Max. medium temperature	65 °C
Medium	Compressed air
Oil content of compressed air min.	0 mg/m ³
Oil content of compressed air max.	1 mg/m ³
Max. particle size	50 µm

Weight 0.31 kg

Material

Housing material	Die cast zinc Polyamide fiber-glass reinforced
Seal material	Acrylonitrile butadiene rubber
Material actuating control	Aluminum
Part No.	5634240100

Technical information

The min. control pressure must be adhered to, since otherwise faulty switching and valve failure may result!

The pressure dew point must be at least 15 °C less than ambient and medium temperature and may not exceed 3 °C.

The oil content of compressed air must remain constant during the life cycle.

Use only the approved oils from AVENTICS. Further information can be found in the "Technical information" document (available in <https://www.emerson.com/en-us/support>).

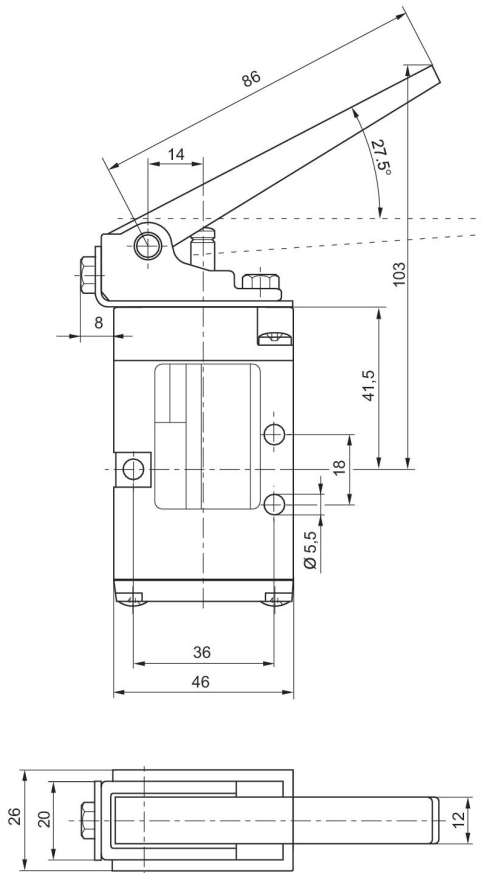
5/2-directional valve, Series CD04

2023-09-07

5634240100

Dimensions

Fig. 4



Dimensions of basic valve apply to all types of actuation.