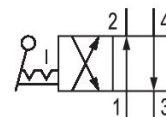
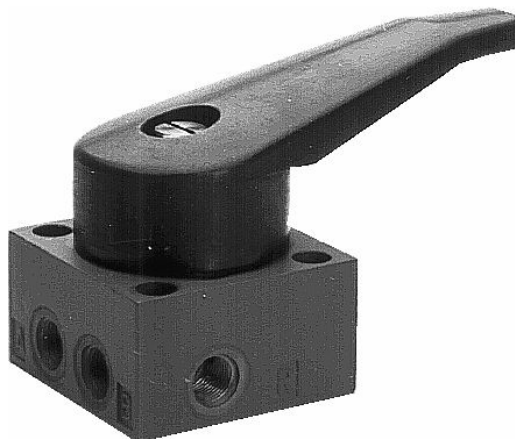


5630180100

## AVENTICS Series 563/018/131 Directional valves

The AVENTICS Series 563 018/131 are manually operated poppet valves with a flow rate of 300 l/min (Series 563 018) and 1100 l/min (Series 563 131). With their simple and robust design they are always ready for applications and easy to operate even with work gloves.



### Technical data

Industry	Industrial
Activation	Mechanical
Valve type	Poppet valve
Actuating control	Single Solenoid
Plate connection	Pipe connection
Actuating element	Hand lever, with detent
Sealing principle	Soft seal
Lock type	not lockable
Compressed air connection type	Internal thread
Compressed air connection input	G 1/8
Compressed air connection output	G 1/8
Compressed air connection, exhaust	G 1/8
Nominal flow Q <sub>n</sub>	300 l/min
Min. working pressure	0 bar
Max. working pressure	10 bar
Min. ambient temperature	-25 °C
Max. ambient temperature	80 °C
Min. medium temperature	-25 °C

# 4/2-directional valve, Series 563 018

2023-11-13

5630180100

---

Max. medium temperature	80 °C
Medium	Compressed air
Min. oil content of compressed air	0 mg/m <sup>3</sup>
Max. oil content of compressed air	5 mg/m <sup>3</sup>
Max. particle size	50 µm
Weight	0.24 kg

## Material

Housing material	Die cast zinc
Seal material	Acrylonitrile butadiene rubber
Material actuating control	Polyarylamide
Part No.	5630180100

## Technical information

The min. control pressure must be adhered to, since otherwise faulty switching and valve failure may result!

The pressure dew point must be at least 15 °C less than ambient and medium temperature and may not exceed 3 °C.

The oil content of compressed air must remain constant during the life cycle.

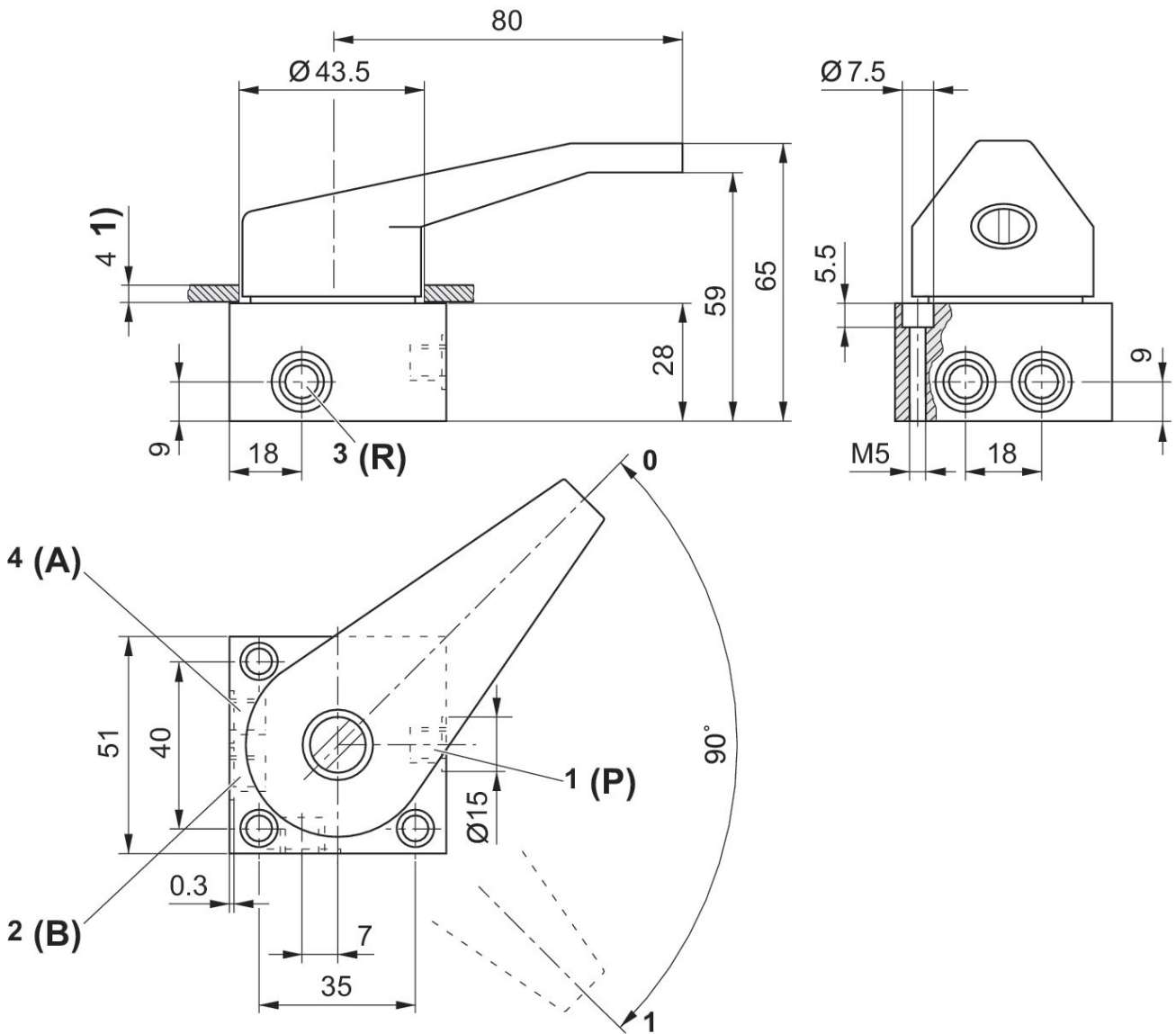
Use only the approved oils from AVENTICS. Further information can be found in the "Technical information" document (available in <https://www.emerson.com/en-us/support>).

# 4/2-directional valve, Series 563 018

2023-11-13

5630180100

## Dimensions



1) Max.

Pos. 0: port 1 # port 4, port 2 # port 3 pos. I: port 1 # port 2, port 4 # port 3