

# Sensor mounting, Series CB1

5230033502

General series information  
AVENTICS Sensor mountings

- AVENTICS Sensors mountings are especially designed to mount AVENTICS sensors on various cylinders.



## Technical data

Industry  
For series

Industrial  
TRB  
CVI  
523

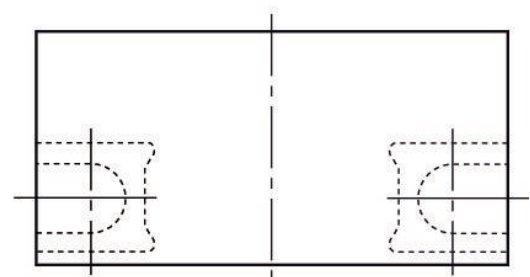
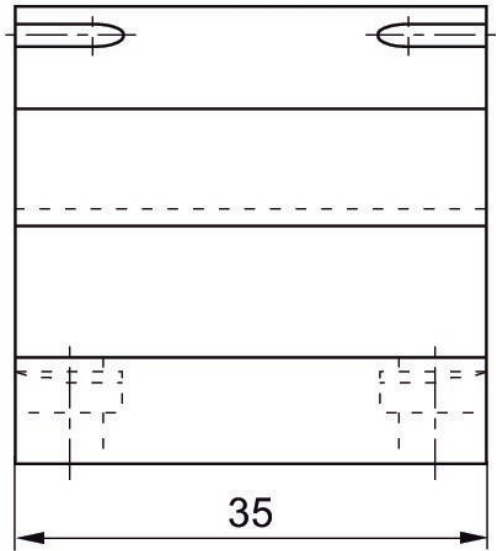
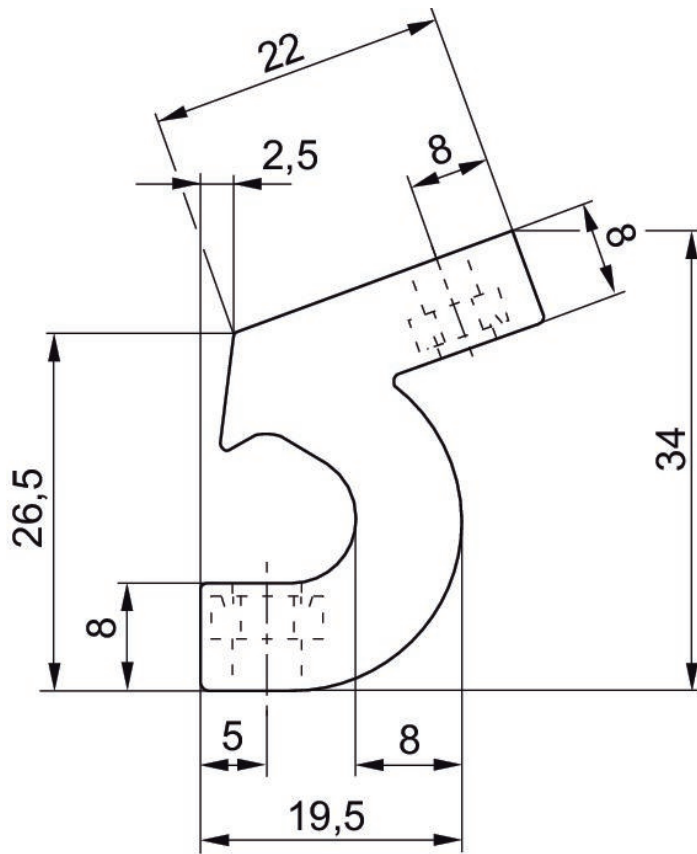
Cylinders Ø min.  
Cylinders Ø max.  
Weight

32 mm  
63 mm  
0.028 kg

## Material

Housing material  
Part No.

Polyamide  
5230033502



Part No.	Cylinders Ø
5230033502	32 - 63 mm