

Bolts AA4, Series CM1

3661302000

Bolts

2023-11-14

Bolts



Technical data

Industry

Industrial

Piston diameter

25 mm

32 mm

Weight

0.02 kg

Material

Housing material

Steel, chrome-plated

Surface housing

nitrocarburized

Fig.

Fig. 2

Part No.

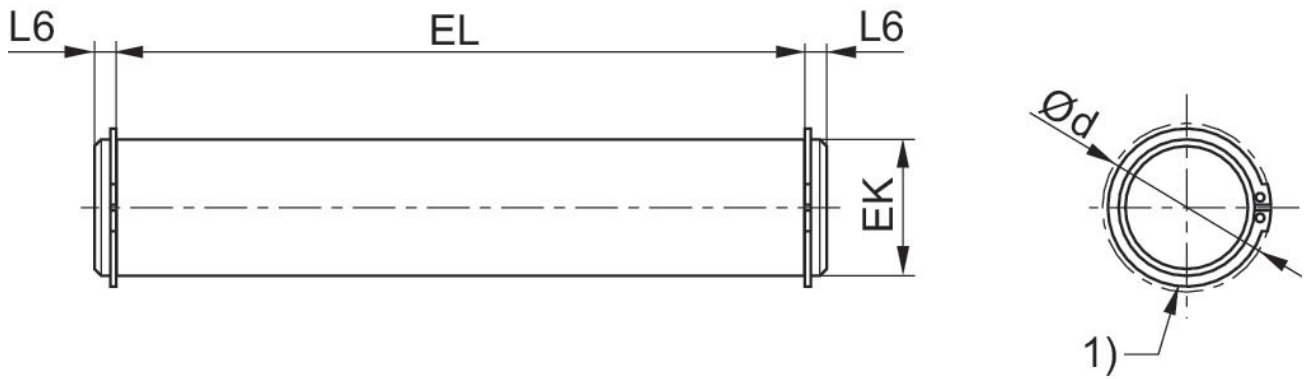
3661302000

Bolts AA4, Series CM1

3661302000

Bolts

2023-11-14



1) circlip DIN 471

Piston Ø	Part No.	Ø d max.	EK e8	EL	L6 max.
25, 30	3661302000	19	10	29.2	2.4
40, 50	3661303000	21	12	34.4	2.8
63, 80	3661304000	28	16	48.4	2.8
100	3661306000	40	20	58.4	3.3
125	5236000092	34.2	25	132 +0,5	3.75
160, 200	5237000092	40.5	30	172 +0,5	4.25
250	5239000092	52.6	40	202 +0,5	6.75
320	5239010092	59.1	45	222 +0,5	7.25