

AVENTICS Rotary joints

AVENTICS Series Rotary Joints are used to transfer medium from stationary supply lines to rotating or moving machine parts. The compact and sturdy design makes the rotary joints a reliable means of protecting your media supply against mechanical loads.



Technical data

Industry	Industrial
number of controlled lines	1
Rotary joint	M16, right
Max. speed	1270 1/min
Compressed air connection	M14x1,5
Min. working pressure	0 bar
Max. working pressure	8 bar
Min. medium temperature	-25 °C
Max. medium temperature	40 °C
Medium	Water
Max. speed	1270 1/min
Weight	0.33 kg
Part No.	3531080040

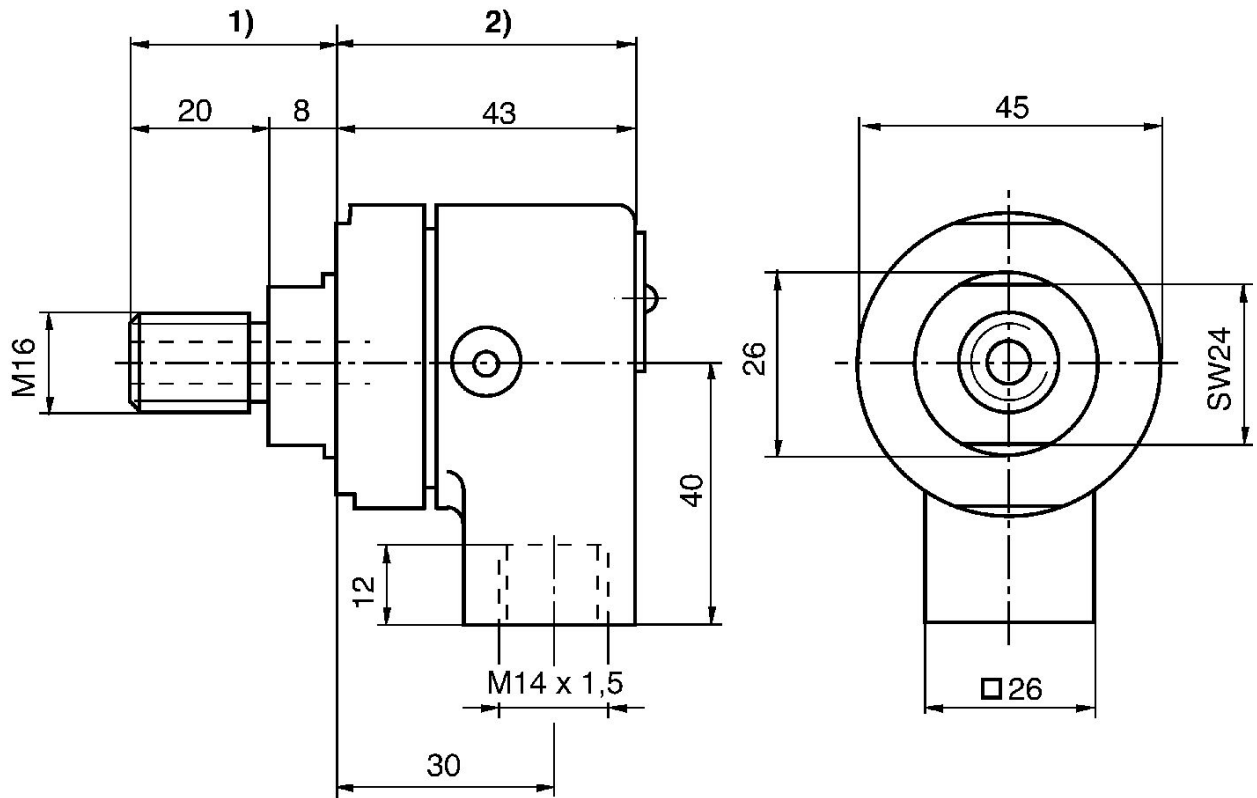
Rotary joint

3531080040

Rotary joints

2024-02-21

Dimensions



- 1) Rotor
- 2) Stator

Diagram



The diagram is valid at max. 20°C ambient temperature. x: Working pressure p [bar] y: Speed n [rpm]