

AVENTICS Series AR1 Compressed air reservoirs



Technical data

Industry	Industrial
Port 1	G 1
Port 2	G 1/2
Reservoir Ø	276 mm
Air reservoir volume	40 L
Min. working pressure	0 bar
Max. working pressure	11 bar
Min. ambient temperature	-40 °C
Max. ambient temperature	100 °C
Min. medium temperature	-40 °C
Max. medium temperature	100 °C
Medium	Compressed air
Housing material	Steel, chrome-plated
Surface housing	black painted
Part No.	3513000050

Technical information

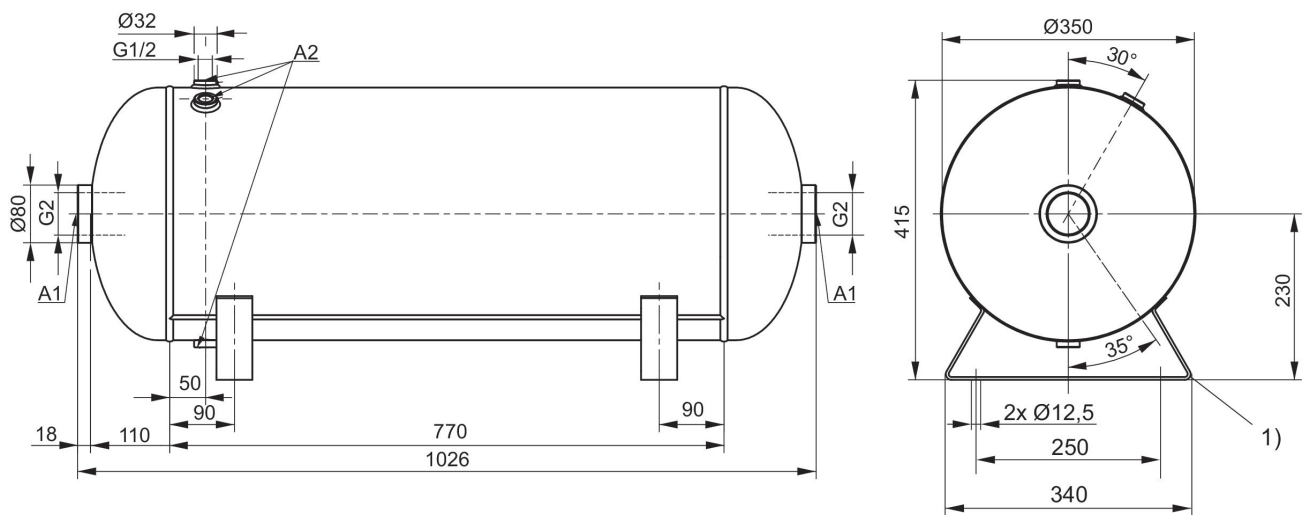
The pressure dew point must be at least 15 °C less than ambient and medium temperature and may not exceed 3 °C.

The oil content of compressed air must remain constant during the life cycle.

Use only the approved oils from AVENTICS. Further information can be found in the “Technical information” document (available in <https://www.emerson.com/en-us/support>).

Dimensions

Fig. 7



A1 = horizontal connection

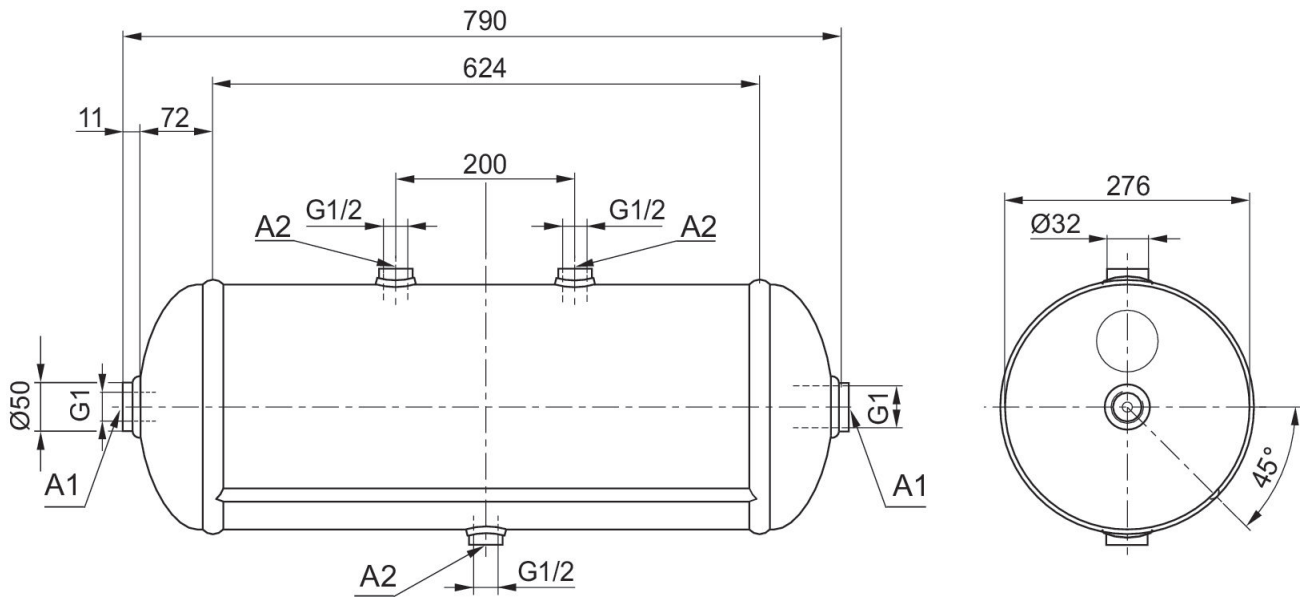
A2 = radial connection

1) Foot

Dimensions

3513000050

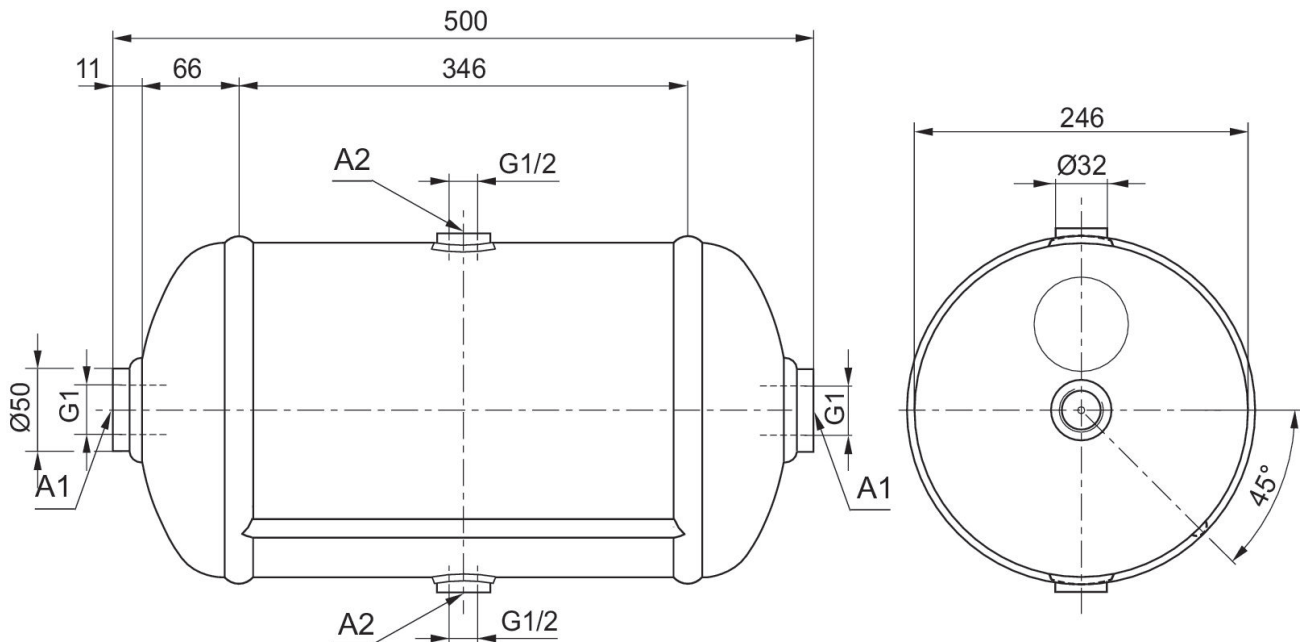
Fig. 6



A1 = horizontal connection
A2 = radial connection

Dimensions

Fig. 5

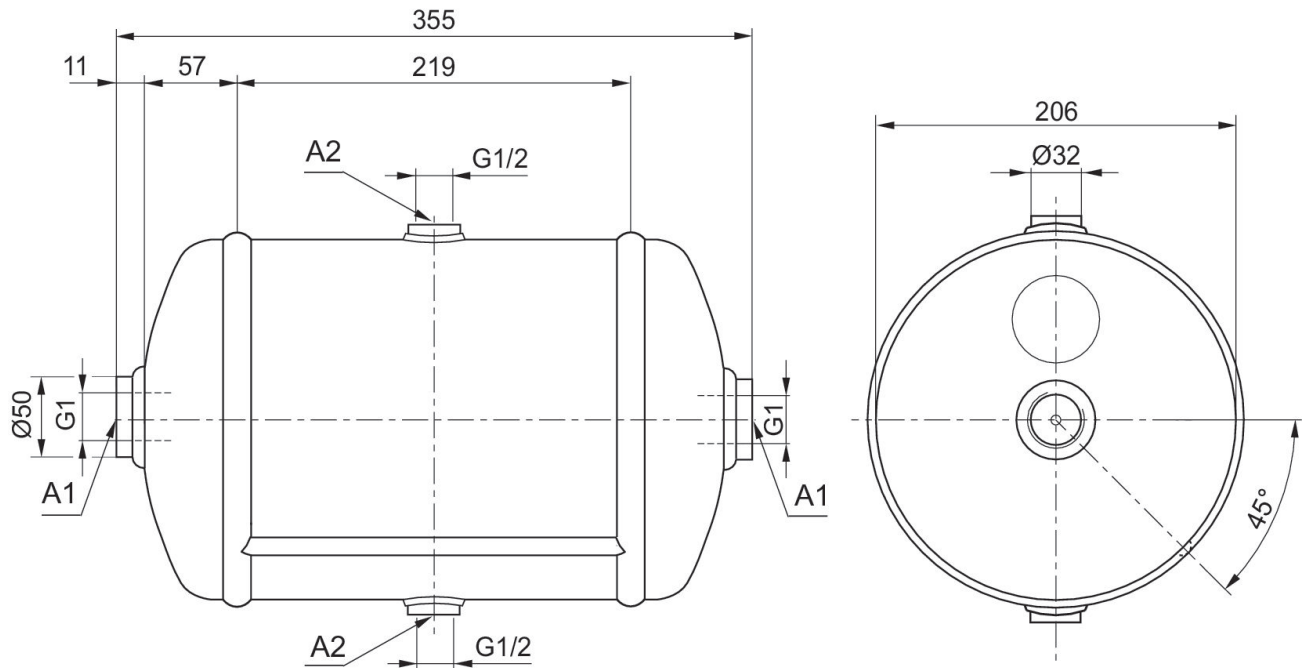


A1 = horizontal connection
A2 = radial connection

Dimensions

3513000050

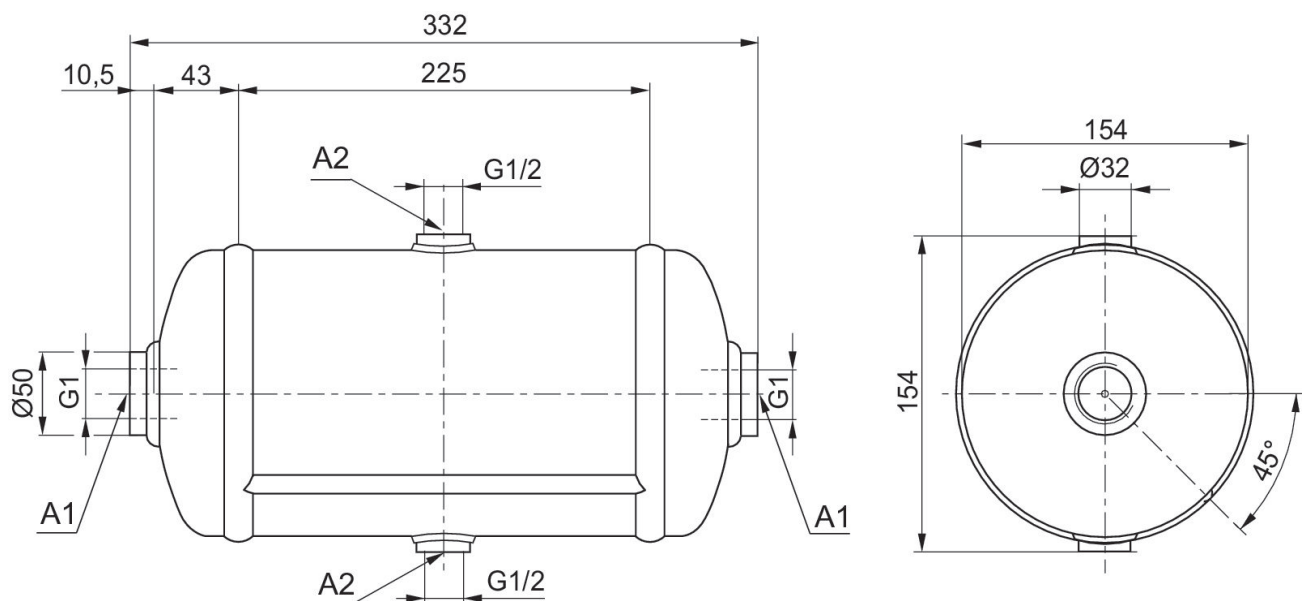
Fig. 4



A1 = horizontal connection
A2 = radial connection

Dimensions

Fig. 3



A1 = horizontal connection
A2 = radial connection

Series AR1

2023-11-27

3513000050

Dimensions

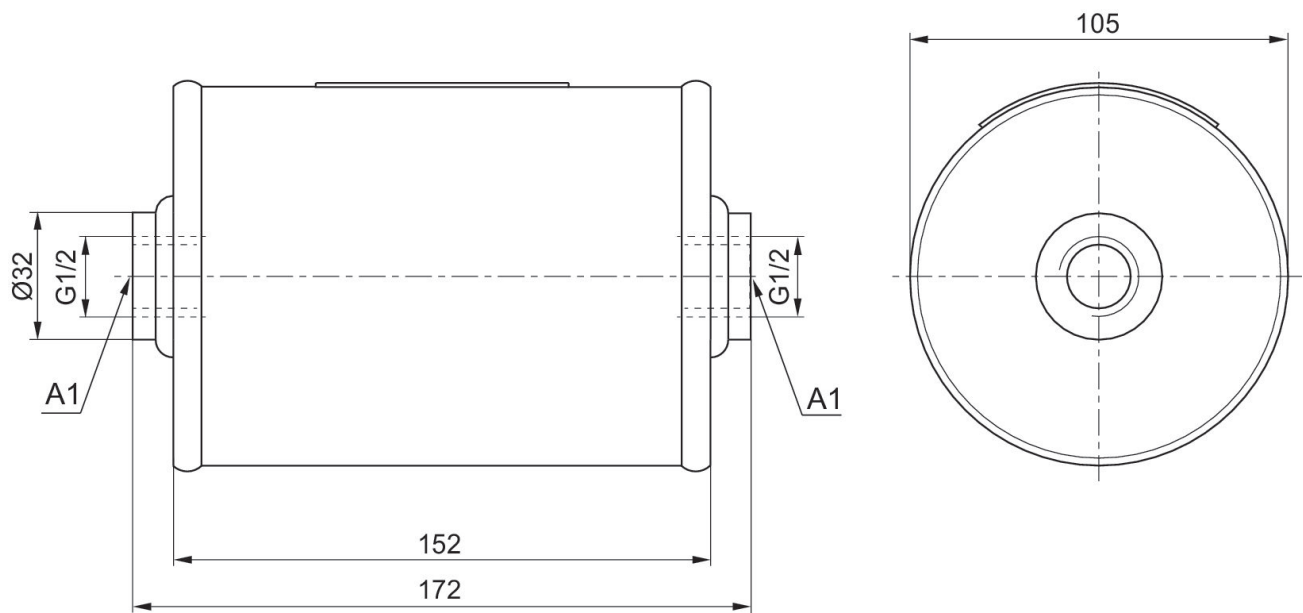
Fig. 2



A1 = horizontal connection
A2 = radial connection

Dimensions

Fig. 1



A1 = horizontal connection