

## Technical data

Industry	Industrial
Type	Manifold strip
For series	CD07
Compressed air connection input	Ø 10x1
Exhaust (3,5)	uncollected exhaust
Min. working pressure	-0.95 bar
Max. working pressure	16 bar
Min. ambient temperature	-25 °C
Max. ambient temperature	80 °C
Min. medium temperature	-25 °C
Max. medium temperature	80 °C
Medium	Compressed air
Max. number of valve positions	2
Weight	0.277 kg
Material	
Material base plate	Aluminum

3337120222

---

Seal material	Polyoxymethylene
Material mounting bracket	Acrylonitrile butadiene rubber
Part No.	Steel, chrome-plated
	3337120222

## Technical information

The min. control pressure must be adhered to, since otherwise faulty switching and valve failure may result!

The pressure dew point must be at least 15 °C less than ambient and medium temperature and may not exceed 3 °C.

The oil content of compressed air must remain constant during the life cycle.

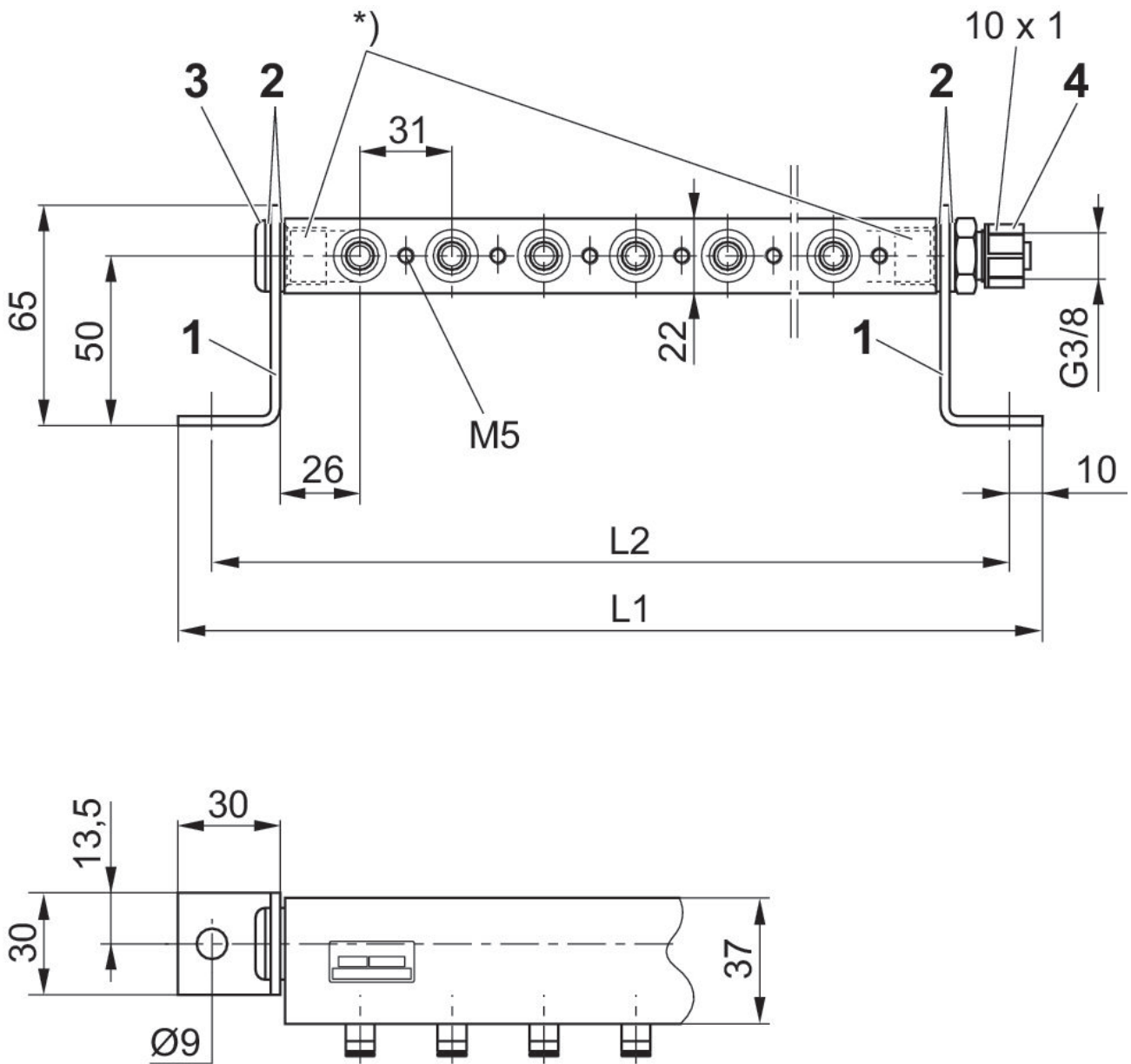
Use only the approved oils from AVENTICS. Further information can be found in the "Technical information" document (available in <https://www.emerson.com/en-us/support>).

# P-manifold

2024-08-07

3337120222

## Dimensions



Angled bracket (1), seal DIN 7603 Al (2), blanking screw G 3/8 ISO 228/1 (3), push-in fittings G 3/8 ISO 228/1, diameter 10x1 (4)

\* Only use fittings with max. length of thread engagement equal to 12 mm.

Valve mounting screws (depending on the valve used): washer, screw, O-ring must be ordered separately.

Part No.	L1	L2
3337120222	152	132
3337120232	183	163
3337120242	214	194
3337120252	245	225
3337120262	276	256
3337120272	307	287
3337120282	338	318

# P-manifold

2024-08-07

3337120222

---

Part No.	L1	L2
3337120292	369	349
3337120302	400	380
3337120312	431	411