

# Sensor mounting, Series CB1

3220643562

General series information  
AVENTICS Sensor mountings

- AVENTICS Sensors mountings are especially designed to mount AVENTICS sensors on various cylinders.



## Technical data

Industry  
For series

Industrial  
TRB  
C12P  
CVI  
523

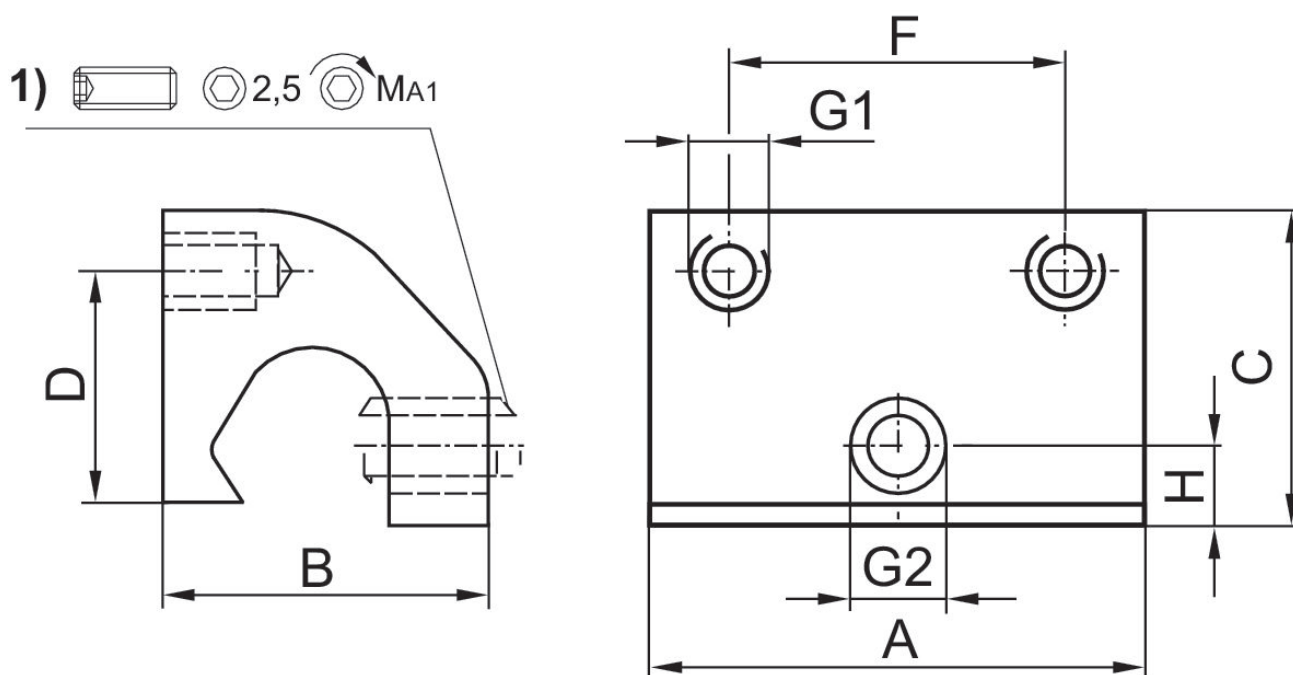
Cylinders Ø min.  
Cylinders Ø max.  
Weight

80 mm  
125 mm  
0.034 kg

## Material

Housing material  
Part No.

Aluminum  
3220643562



1) Clamping threaded pin

| Part No.   | Cylinders Ø | A  | B  | C  | D  | F  | G1 | G2 | H |
|------------|-------------|----|----|----|----|----|----|----|---|
| 3220643562 | 80 - 125 mm | 35 | 22 | 21 | 12 | 23 | M4 | M5 | 5 |
| 3220613562 | 32 - 63 mm  | 35 | 22 | 21 | 16 | 23 | M4 | M5 | 5 |

| Part No.   | MA1 [Nm] |
|------------|----------|
| 3220643562 | 1,8 +0,4 |
| 3220613562 | 1,8 +0,4 |