

# 3/2-directional valve, Series DP22, Basic valve without coil, Pipe connection, KR, NC

3124A641406CCYW

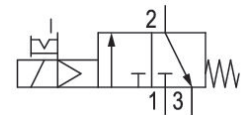
Series  
DP22

2024-09-30

- Coil width 22 mm
- Plate connection
- Plate connection

## Series DP22

The AVENTICS Series DP offer a simple, reliable and robust solution for all classical pilot control functions with direct electrical operation.



## Technical data

Industry	Industrial
Activation	Electrically
Valve type	Poppet valve
Basic valve equipment	Pilot valve without coil
Switching principle	3/2, with spring return
Valve function	NC
Actuating control	Double Solenoid
Sealing principle	Soft seal
Manual override	with detent
Compressed air connection input	Plate connection
Compressed air connection output	Plate connection
Compressed air connection, exhaust	M5
Nominal flow Qn 1 to 2	50 l/min
Nominal flow Qn 2 to 3	85 l/min
Min. working pressure	0 bar
Max. working pressure	10 bar

# 3/2-directional valve, Series DP22, Basic valve without coil, Pipe connection, KR, NC

3124A641406CCYW

Series  
DP22

2024-09-30

---

Protection class with connection	IP65
Coil width	22 mm
Pilot valve width	22 mm
Compatibility index	44
Typ. switch-on time	8.5 ms
Typ. switch-off time	6.9 ms
Blocking principle	Single valve
Min. ambient temperature	-25 °C
Max. ambient temperature	60 °C
Min. medium temperature	-25 °C
Max. medium temperature	60 °C
Medium	Compressed air
Min. oil content of compressed air	0 mg/m <sup>3</sup>
Max. oil content of compressed air	5 mg/m <sup>3</sup>
Max. particle size	5 µm
Mounting screws	M3
Weight	0.035 kg

## Material

Housing material	Polyamide fiber-glass reinforced
Seal material	Ethylene acrylate copolymers

Part No. 3124A641406CCYW

## Technical information

The min. control pressure must be adhered to, since otherwise faulty switching and valve failure may result!

The pressure dew point must be at least 15 °C less than ambient and medium temperature and may not exceed 3 °C.

The oil content of compressed air must remain constant during the life cycle.

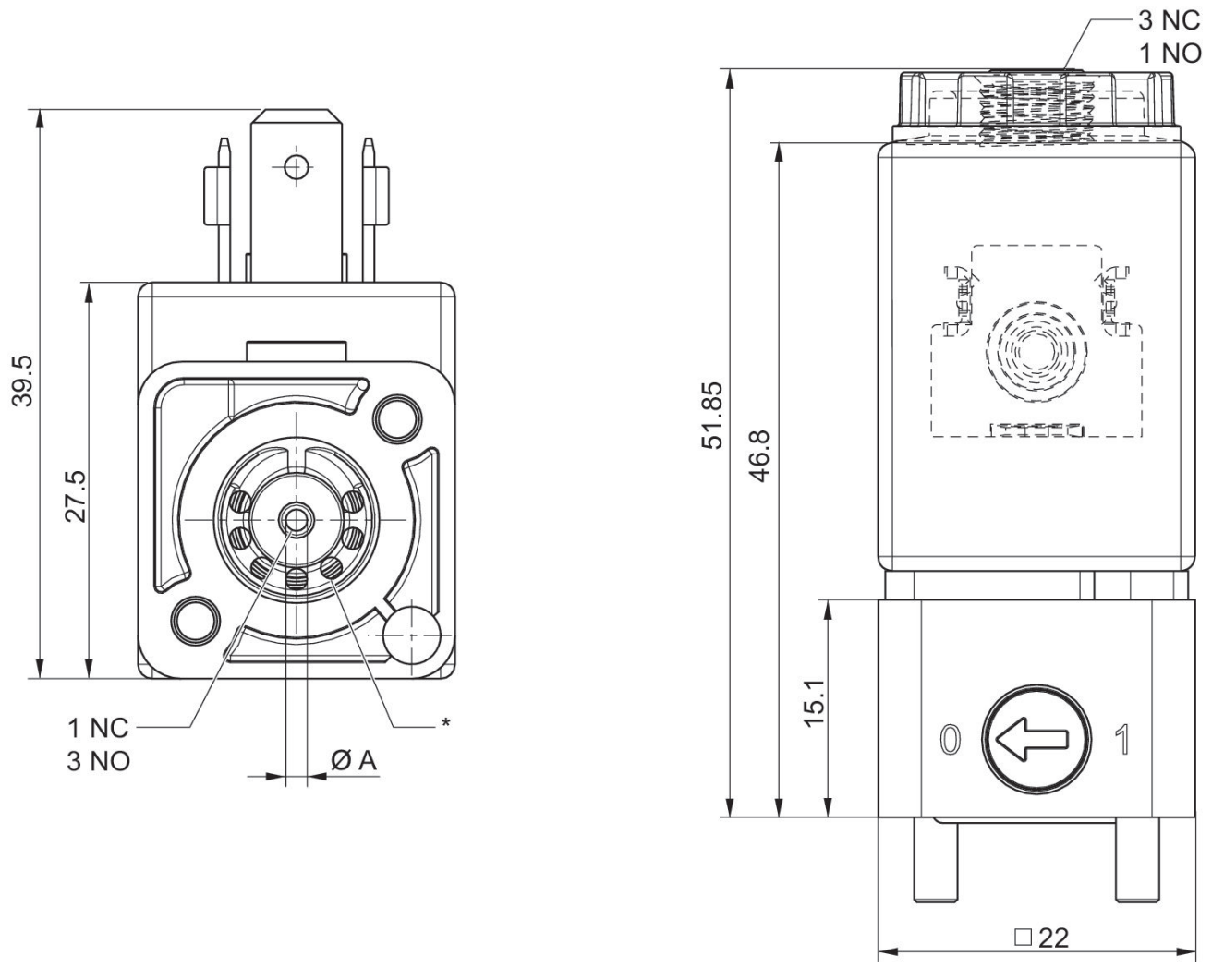
Use only the approved oils from AVENTICS. Further information can be found in the "Technical information" document (available in <https://www.emerson.com/en-us/support>).

# 3/2-directional valve, Series DP22, Basic valve without coil, Pipe connection, KR, NC

Series  
DP22

2024-09-30

3124A641406CCYW  
Dimensions



\* Port 2 (Output)