

Series CO1



Coils, Series CO1

The AVENTICS Series CO1 is a complete range of electrical solenoid coils with or without cable used in AVENTICS pneumatic valves Series.

- Coil widths 15, 22 and 30 mm
- Electrical connection ISO form C, M8 3-pin; M8 4-pin
- ATEX
- Operational voltages 12, 24, 48, 110, 220 VDC or 24,110,230 VAC

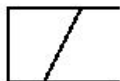


Product overview

	Page
Coil width 15 mm	
Coil, Series CO1, M8.....	4
Coil, Series CO1, Form C.....	5
Coil width 22 mm	
Coil, Series CO1, Form B.....	7
Coil, Series CO1, Form B, industry.....	9
Coil width 30 mm	
Coil, Series CO1, form A.....	10
Coil, Series CO1, form A, CERAM.....	12
Coil, Series CO1, CNOMO.....	13
Coil, Series CO1, ATEX.....	15
Coil, Series CO1, with cable, ATEX.....	17
Electrical accessories	
Valve plug connector, series CON-VP, Form A, 300 V DC / 250 V AC, 2-pin.....	19
Valve plug connector, series CON-VP, Form A, 300 V DC / 250 V AC, 3-pin.....	20
Valve plug connector, series CON-VP, Form A, 24 V AC/DC, Flat gasket.....	21
Valve plug connector, series CON-VP, Form A, 24 V AC/DC, Profile seal.....	23
Valve plug connector, series CON-VP, form A, 115/230 V AC/DC.....	24
Valve plug connector, series CON-VP, Form A, 230 V AC/DC, Profile seal.....	26
Valve plug connector, series CON-VP, Form A, 24 V DC.....	27
Valve plug connector, series CON-VP, Form B, 300 V DC / 250 V AC.....	28
Valve plug connector, series CON-VPP, Form B, 115/230 V AC/DC, LED.....	30
Valve plug connector, series CON-VP, Form B, 24 V AC/DC.....	32
Valve plug connector, series CON-VP, Form B, industry, 300 V DC / 250 V AC.....	34
Valve plug connector, series CON-VP, Form B, industry, 24 V AC/DC.....	35
Valve plug connector, series CON-VP, Form B, industry, 115/230 V AC/DC.....	36
Valve plug connector, series CON-VP, form C, 300 V DC / 250 V AC.....	37
Valve plug connector, series CON-VP, form C, 24 V AC/DC.....	38
Valve plug connector with cable series CON-VP, 24/230 V AC/DC.....	39
Valve plug connector with cable series CON-VP, 230 V AC/DC.....	41
Valve plug connector with cable series CON-VP, Form B, 0° female insert.....	43
Valve plug connector with cable series CON-VP, Form B industry, 0° female insert.....	45
Valve plug connector with cable series CON-VP,, 180° female insert.....	47
Round plug connector, Series CON-RD, straight.....	49
Round plug connector, Series CON-RD, angled.....	50
Round plug connector, Series CON-RD, straight, 4-pin.....	51
Round plug connector, Series CON-RD, open cable ends, straight.....	52
Round plug connector, Series CON-RD, open cable ends, angled.....	53
Round plug connector, Series CON-RD, open cable ends, straight, 4-pin.....	55

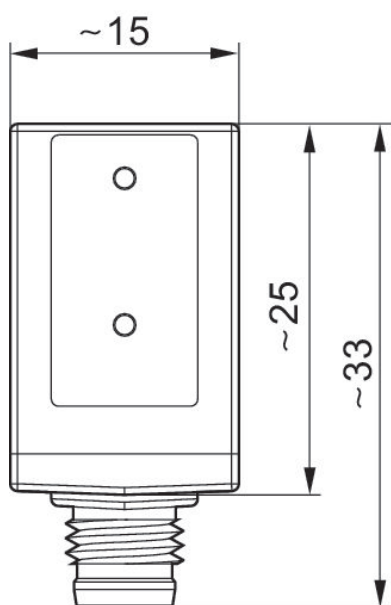
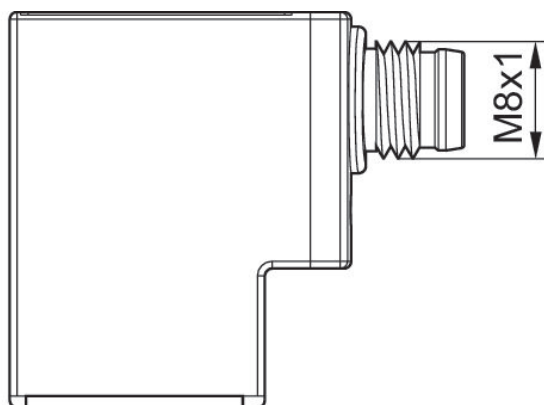
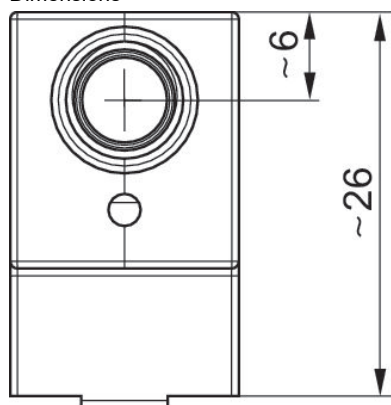
Coil, Series CO1, M8

Electrical connection 2, type: Plug
Electrical connection 2, thread size: M8x1



Operational voltage DC	Number of poles	Voltage tolerance DC	Power consumption DC [W]	Part No.
24 V	4-pin	-10 % / +10 %	2.2	R422101603
24 V	3-pin	-10 % / +10 %	2.2	R422101604

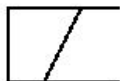
Dimensions



Coil, Series CO1, Form C

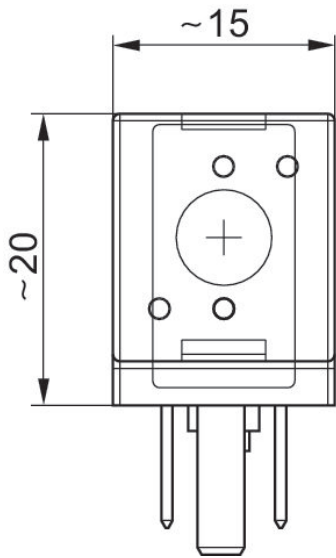
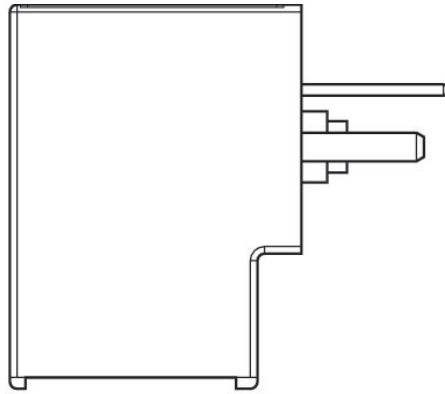
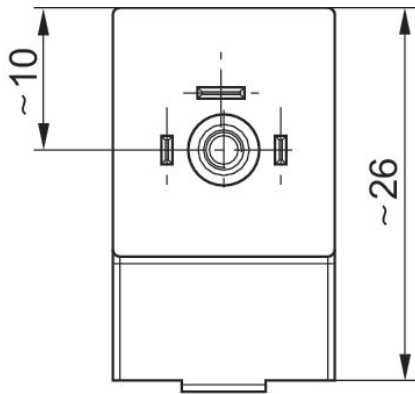
Electrical connection 2, type: Plug

Electrical connection 2, number of poles: 3-pin



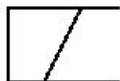
Operational voltage DC	Number of poles	Operational voltage AC at 50 Hz	Operational voltage AC at 60 Hz	Voltage tolerance DC	Voltage tolerance AC 50 Hz	Voltage tolerance AC 60 Hz	Power consumption DC [W]	Holding power AC 50 Hz [VA]	Switch-on power AC 50 Hz [VA]	Part No.
	3-pin	110 V	110 V		-10 % / +10 %	-10 % / +10 %		1.6	2.2	R422101598
	3-pin	230 V	230 V		-10 % / +10 %	-10 % / +10 %		1.6	2.2	R422101599
24 V	3-pin			-10 % / +10 %			2			R422101600
	3-pin	24 V	24 V		-10 % / +10 %	-10 % / +10 %		1.6	2.2	R422101601
12 V	3-pin			-10 % / +10 %			2			R422101602

Dimensions



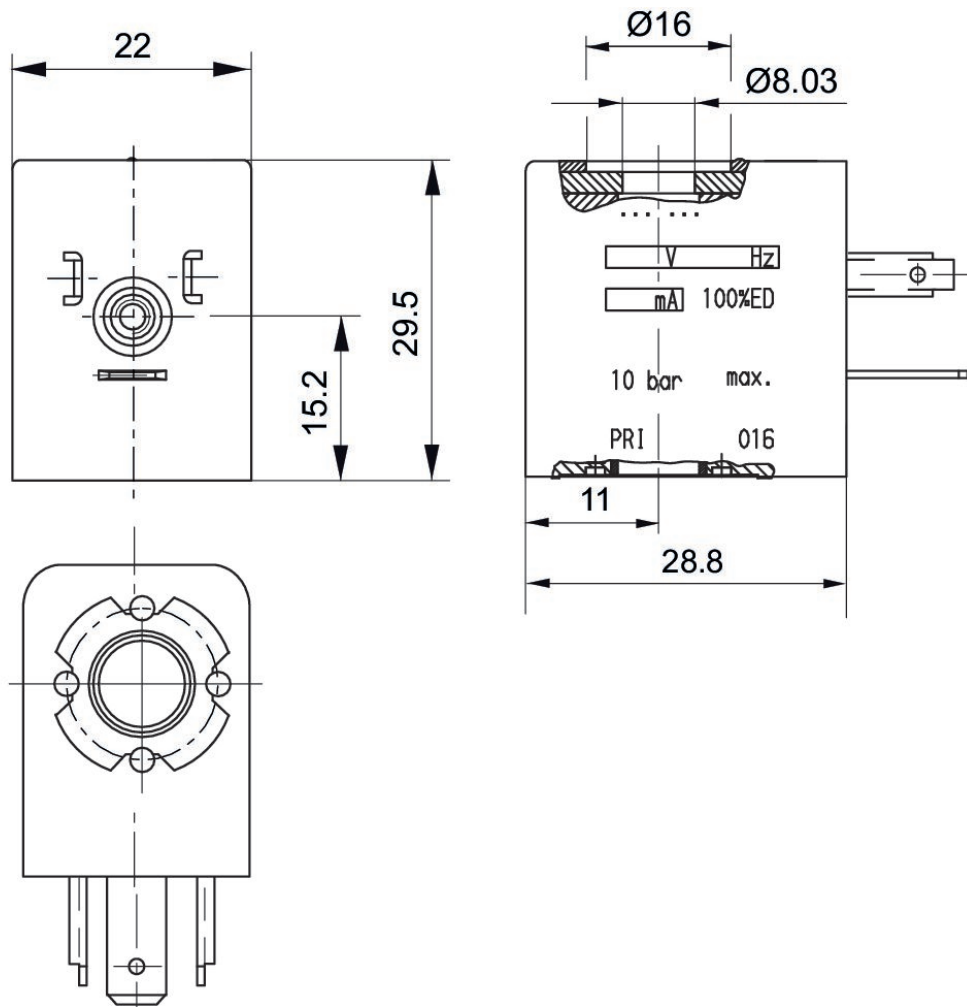
Coil, Series CO1, Form B

Electrical connection 2, type: Plug



Operational voltage DC	Number of poles	Operational voltage AC at 50 Hz	Operational voltage AC at 60 Hz	Voltage tolerance DC	Voltage tolerance AC 50 Hz	Voltage tolerance AC 60 Hz	Power consumption DC [W]	Holding power AC 50 Hz [VA]	Switch-on power AC 50 Hz [VA]	Compatibility index	Part No.
24 V	3-pin			-10 % / +10 %	-10 % / +10 %	-10 % / +10 %	2.6			13	1824210245
12 V	3-pin	24 V	24 V	-10 % / +10 %	-10 % / +10 %	-10 % / +10 %	5.5	8.9	12	14	1824210239
24 V	3-pin	48 V	48 V	-10 % / +10 %	-10 % / +10 %	-10 % / +10 %	4.8	7.7	10.5	14	1824210243
48 V	3-pin			-10 % / +10 %	-10 % / +10 %	-10 % / +10 %	5			14	1824210241
60 V	3-pin	110 V	110 V	-10 % / +10 %	-10 % / +10 %	-10 % / +10 %	5.9	8.4	11	14	1824210237
110 V	3-pin	220 V	230 V	-10 % / +10 %	-10 % / +10 %	-10 % / +10 %	4.9	9.7	12.6	14	1824210235

Dimensions



Coil, Series CO1, Form B, industry

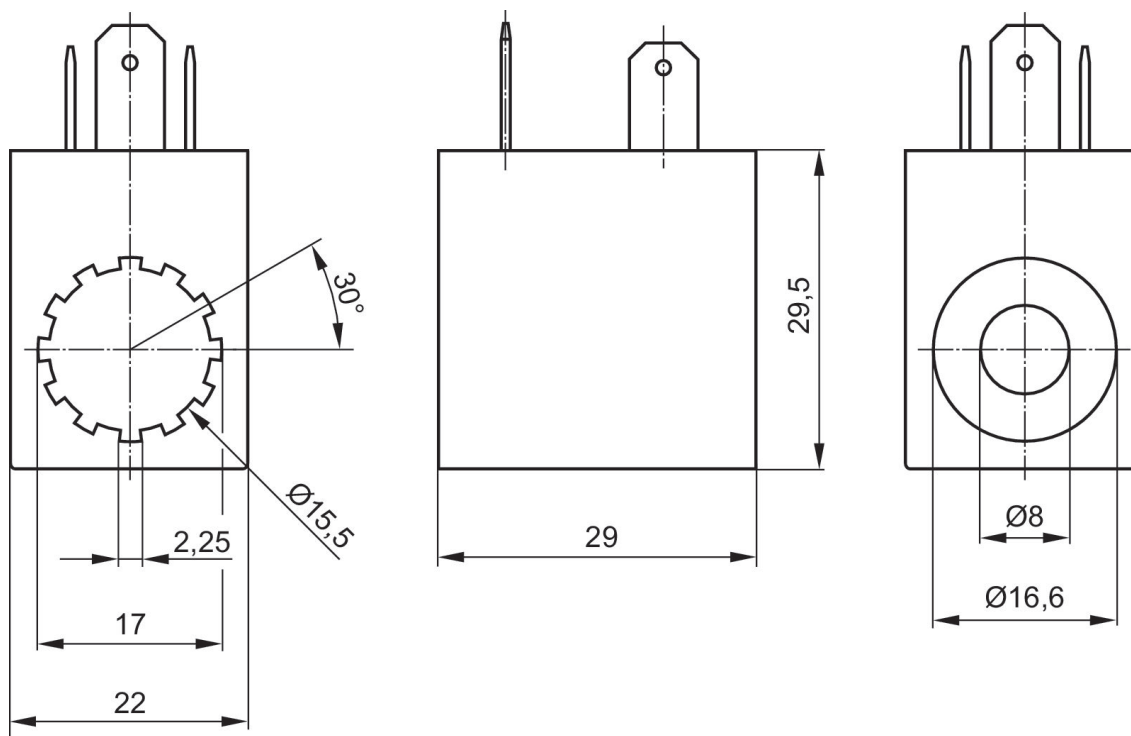
Electrical connection 2, type: Plug

Electrical connection 2, thread size: Form B, industry



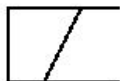
Operational voltage DC	Operational voltage AC at 50 Hz	Voltage tolerance DC	Voltage tolerance AC 50 Hz	Power consumption DC [W]	Holding power AC 50 Hz [VA]	Switch-on power AC 50 Hz [VA]	Part No.
12 V				5			0498317405
24 V		-10 % / +10 %		5			0498317502
24 V		-10 % / +10 %		2			0498318800
48 V				5			0498317618
110 V		-10 % / +10 %		5			0498317707
220 V		-10 % / +10 %		5			0498317804
	24 V		-10 % / +10 %		8	10	0498316905
	48 V		-10 % / +10 %		8	10	0498317006
	110 V		-10 % / +10 %		8	10	0498317103
	230 V		-10 % / +10 %		8	10	0498322506

Dimensions



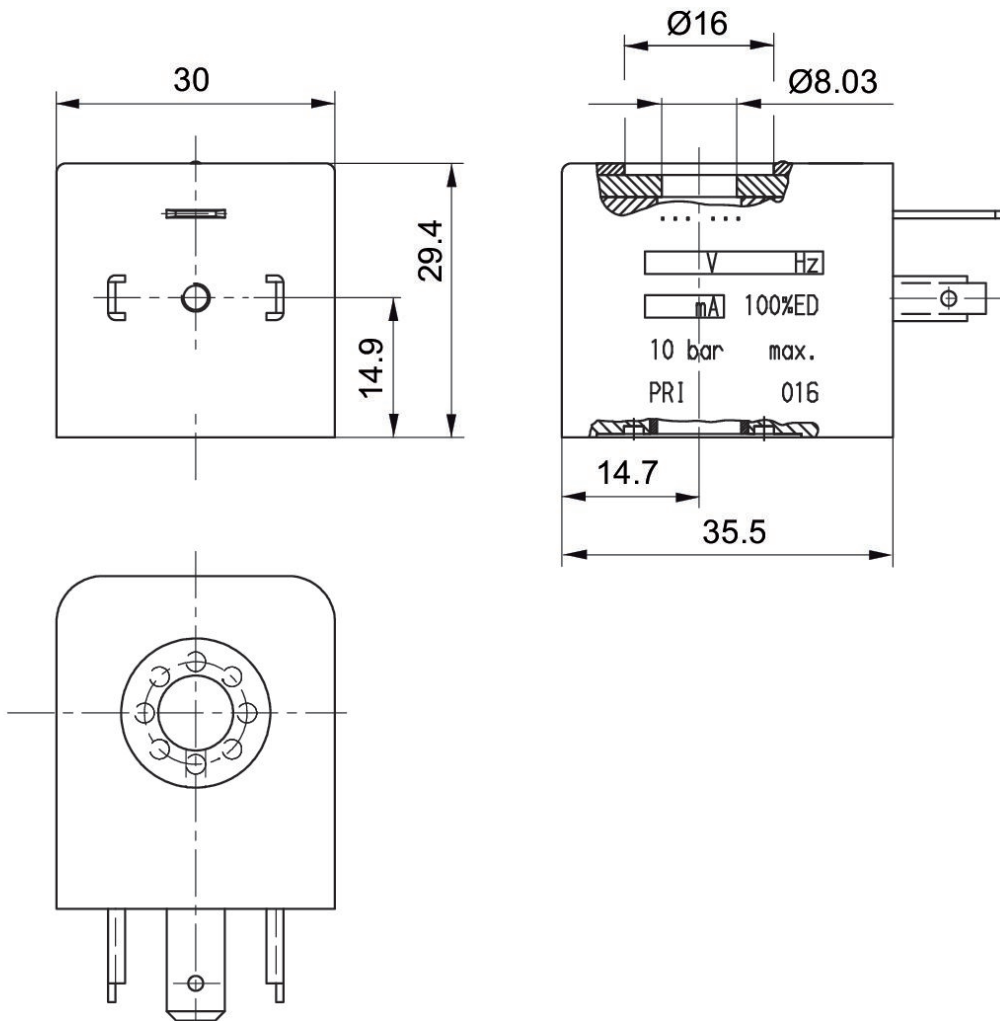
Coil, Series CO1, form A

Electrical connection 2, type: Plug



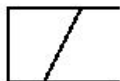
Operational voltage DC	Number of poles	Operational voltage AC at 50 Hz	Operational voltage AC at 60 Hz	Voltage tolerance DC	Voltage tolerance AC 50 Hz	Voltage tolerance AC 60 Hz	Power consumption DC [W]	Holding power AC 50 Hz [VA]	Switch-on power AC 50 Hz [VA]	Compatibility index	Part No.
12 V	3-pin			-10 % / +10 %			2.1			13	5420507012
24 V	3-pin			-10 % / +10 %			2.1			13	5420507022
	3-pin	24 V	24 V		-20 % / +10 %	-10 % / +20 %		4.2	6.9	13	5428457022
48 V	3-pin			-10 % / +10 %			2.2			13	5420507032
	3-pin	110 V	110 V		-20 % / +10 %	-10 % / +20 %		4.2	6.9	13	5428457072
	3-pin	240 V	240 V		-20 % / +10 %	-10 % / +20 %		4.2	6.9	13	5428457112
24 V	3-pin			-10 % / +10 %			2.7			14	5420897022
	3-pin	24 V	24 V		-20 % / +10 %	-10 % / +20 %		5.2		14	5428117022
	3-pin	110 V	110 V		-20 % / +10 %	-10 % / +20 %		4.8		14	5428117072
	3-pin	230 V	230 V		-20 % / +10 %	-10 % / +20 %		5.6		14	5428117082
12 V	3-pin	24 V	24 V	-10 % / +10 %	-10 % / +10 %	-10 % / +10 %	6.2	7.4	11.5	15	1824210222
24 V	3-pin			-10 % / +10 %	-10 % / +10 %	-10 % / +10 %	4.4			15	1824210223
	3-pin	110 V	110 V		-10 % / +10 %	-10 % / +10 %		8	11.5	15	1824210221
110 V	3-pin	220 V	230 V	-10 % / +10 %	-10 % / +10 %	-10 % / +10 %	6	8	11.5	15	1824210220

Dimensions



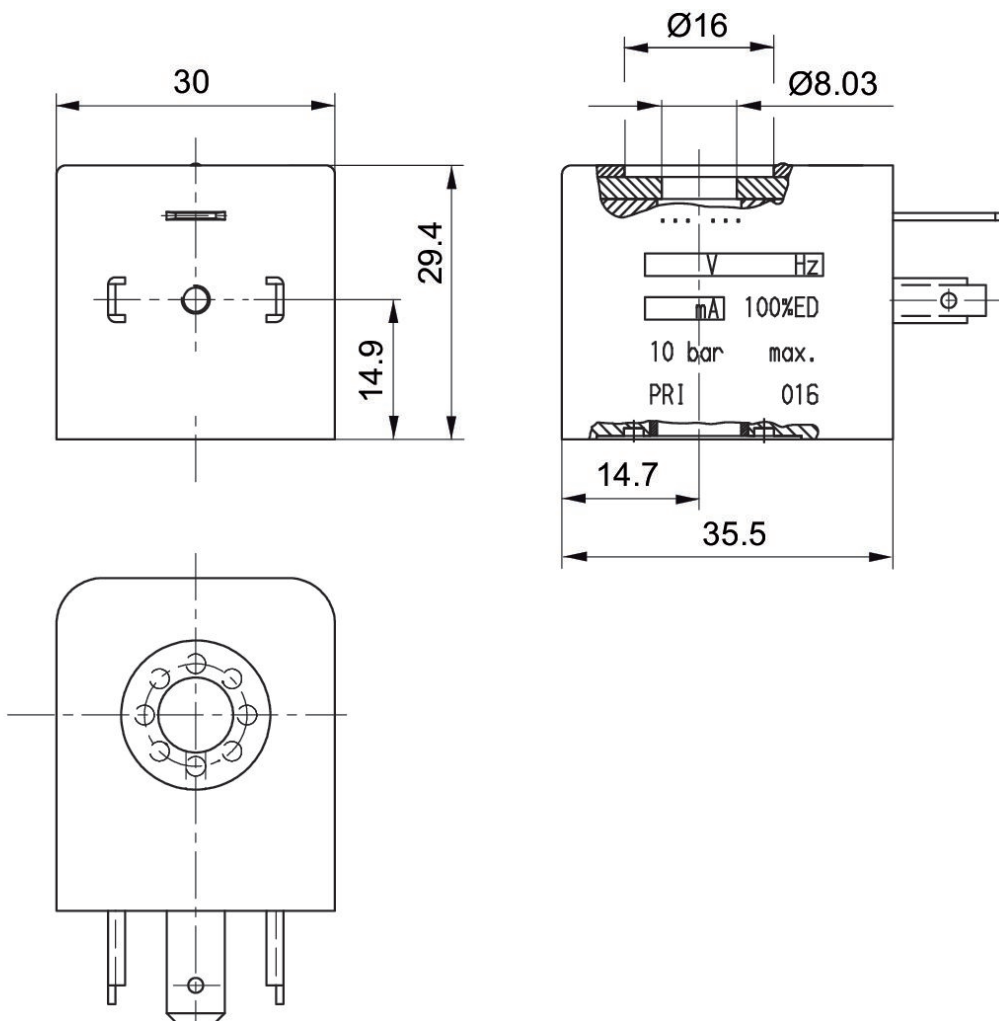
Coil, Series CO1, form A, CERAM

Electrical connection 2, type: Plug



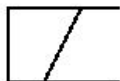
Operational voltage DC	Number of poles	Operational voltage AC at 50 Hz	Operational voltage AC at 60 Hz	Voltage tolerance DC	Power consumption DC [W]	Holding power AC 50 Hz [VA]	Compatibility index	Part No.
	3-pin	110 V	110 V	-10 % / +10 %		3.7	14	R432011985
	3-pin	220 V	220 V	-10 % / +10 %		3.7	14	R432011986
24 V	3-pin			-10 % / +10 %	2.7		14	R432011989
	3-pin	24 V	24 V	-10 % / +10 %		3.7	14	R432011990

Dimensions



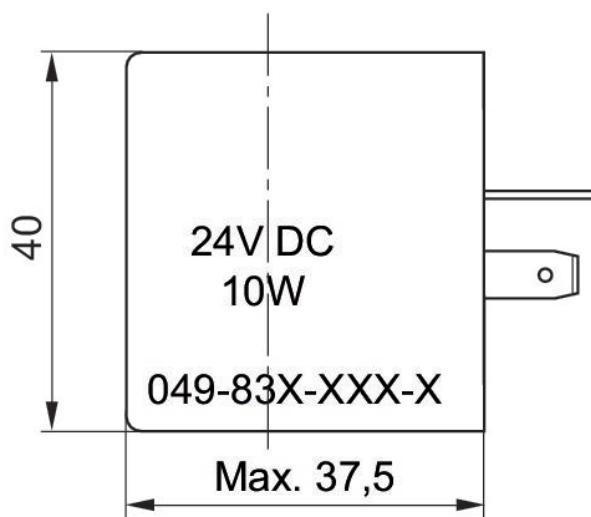
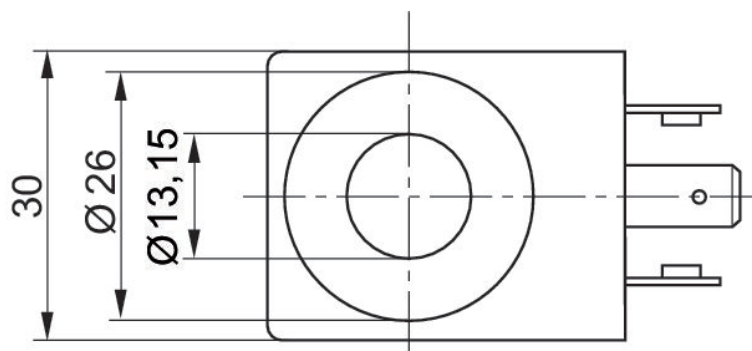
Coil, Series CO1, CNOMO

Electrical connection 2, type: Plug



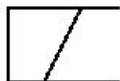
Operational voltage DC	Number of poles	Operational voltage AC at 50 Hz	Operational voltage AC at 60 Hz	Voltage tolerance DC	Voltage tolerance AC 50 Hz	Voltage tolerance AC 60 Hz	Power consumption DC [W]	Holding power AC 50 Hz [VA]	Switch-on power AC 50 Hz [VA]	Compatibility index	Part No.
12 V	3-pin			-10 % / +10 %			10			33	0498320503
24 V	3-pin			-10 % / +10 %			10			33	0498319718
110 V	3-pin			-10 % / +10 %			10			33	0498320309
220 V	3-pin			-10 % / +10 %			10			33	0498320201
	3-pin	24 V	24 V		-10 % / +10 %	-10 % / +10 %		17	30	33	0498319807
	3-pin	110 V	110 V		-10 % / +10 %	-10 % / +10 %		17	30	33	0498319904
	3-pin	230 V	230 V		-10 % / +10 %	-10 % / +10 %		17	30	33	0498322409

Dimensions



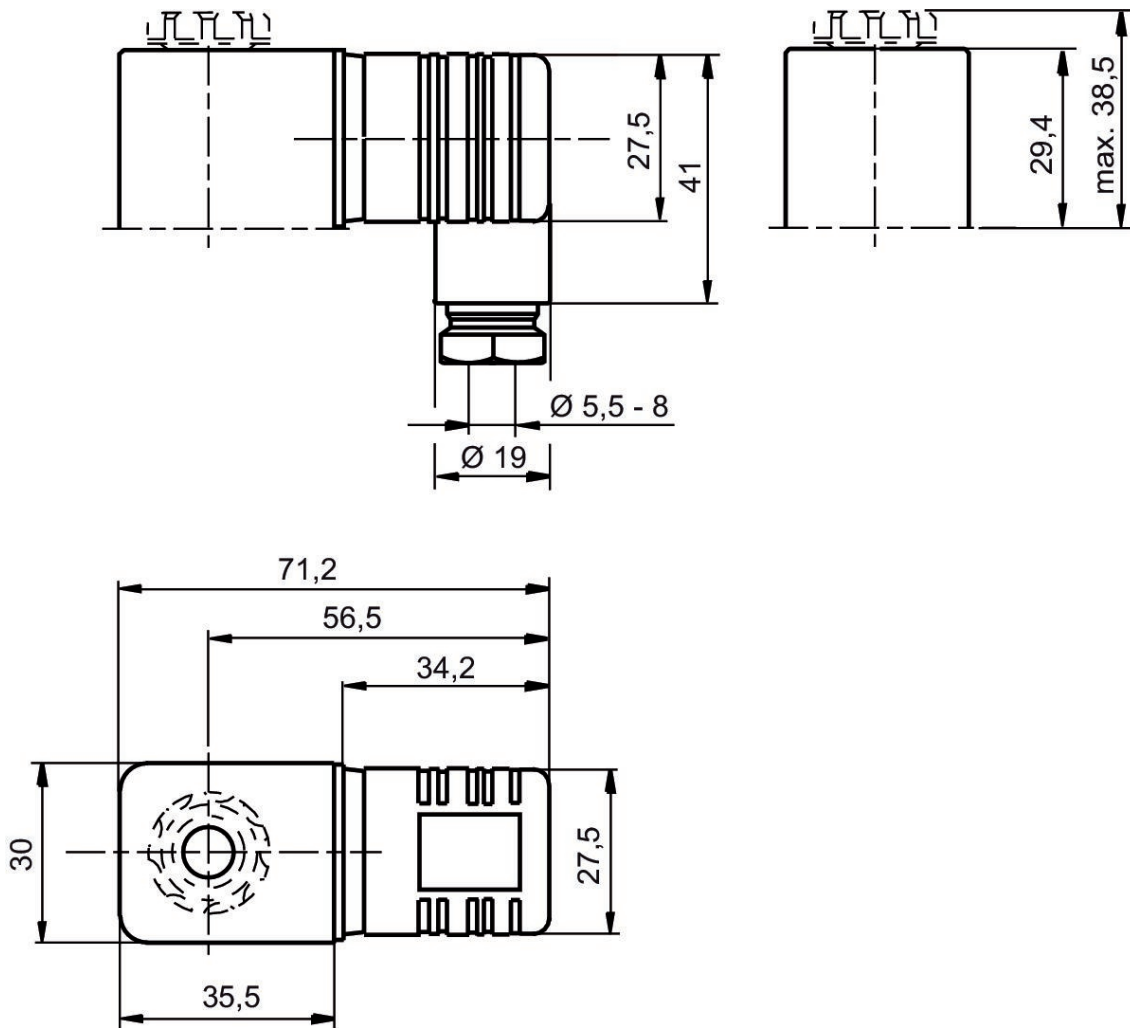
Coil, Series CO1, ATEX

Certificates: ATEX



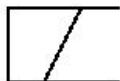
Operational voltage DC	Operational voltage AC at 50 Hz	Operational voltage AC at 60 Hz	Voltage tolerance DC	Voltage tolerance AC 50 Hz	Voltage tolerance AC 60 Hz	Power consumption DC [W]	Holding power AC 50 Hz [VA]	Switch-on power AC 50 Hz [VA]	Compatibility index	Part No.
24 V			-10 % / +10 %			2.1			13	R412000144
	24 V	24 V		-10 % / +10 %	-10 % / +10 %		4	6.9	13	R412000145
	110 V	110 V		-10 % / +10 %	-10 % / +10 %		4	6.8	13	R412000146
	230 V	230 V		-10 % / +10 %	-10 % / +10 %		4	6.9	13	R412000147

Dimensions



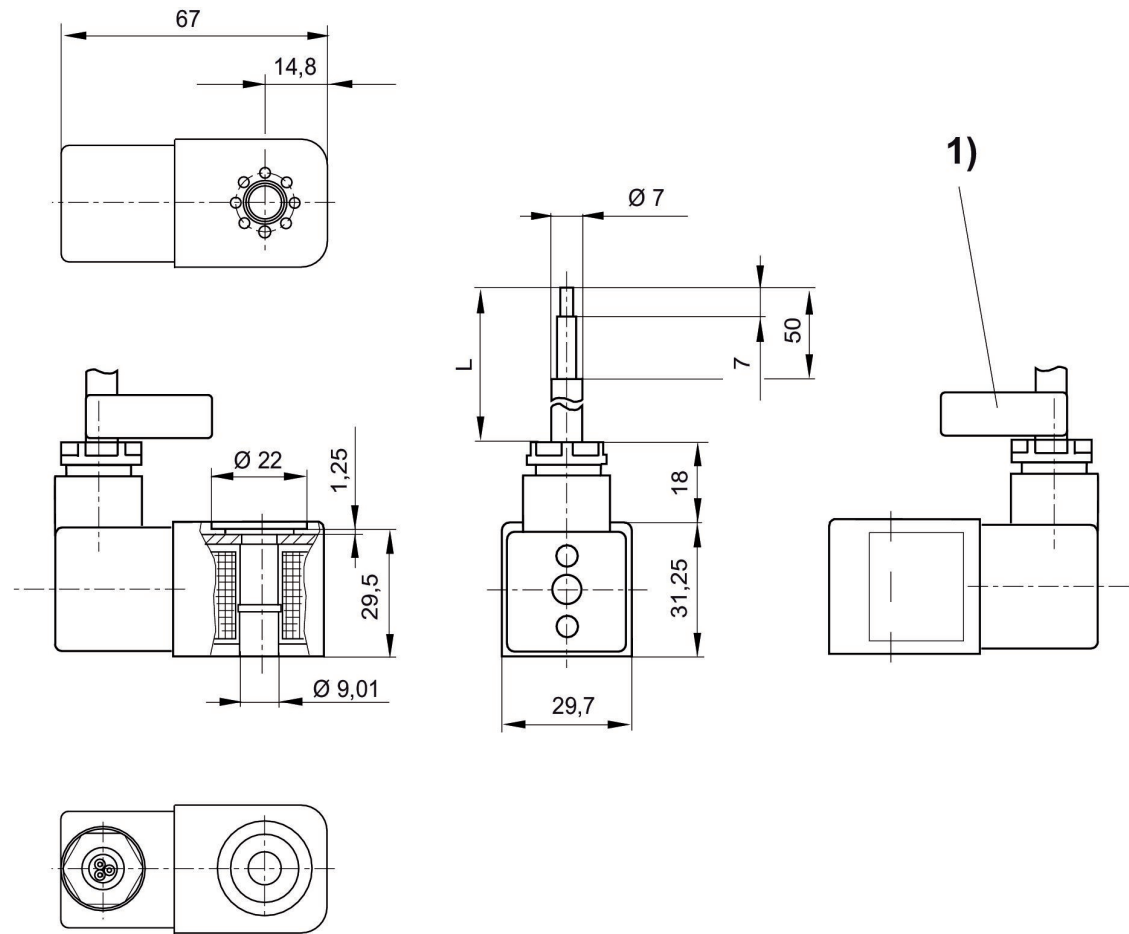
Coil, Series CO1, with cable, ATEX

Certificates: ATEX



Operational voltage DC	Operational voltage AC at 50 Hz	Operational voltage AC at 60 Hz	Voltage tolerance DC	Voltage tolerance AC 50 Hz	Power consumption DC [W]	Holding power AC 50 Hz [VA]	Switch-on power AC 50 Hz [VA]	Cable length [m]	Compatibility index	Part No.
	230 V	230 V		-10 % / +10 %		3	3.1	3	14	1827414297
	230 V	230 V		-10 % / +10 %		3	3.1	10	14	1827414298
	110 V	110 V		-10 % / +10 %		2.9	3	3	14	1827414299
	24 V	24 V		-10 % / +10 %		2.9	3	3	14	1827414301
24 V			-10 % / +10 %		3.25			3	14	1827414303
24 V			-10 % / +10 %		3.25			10	14	1827414304

Dimensions



L = cable length
1) Cable ID band with serial number

Valve plug connector, series CON-VP, Form A, 300 V DC / 250 V AC, 2-pin

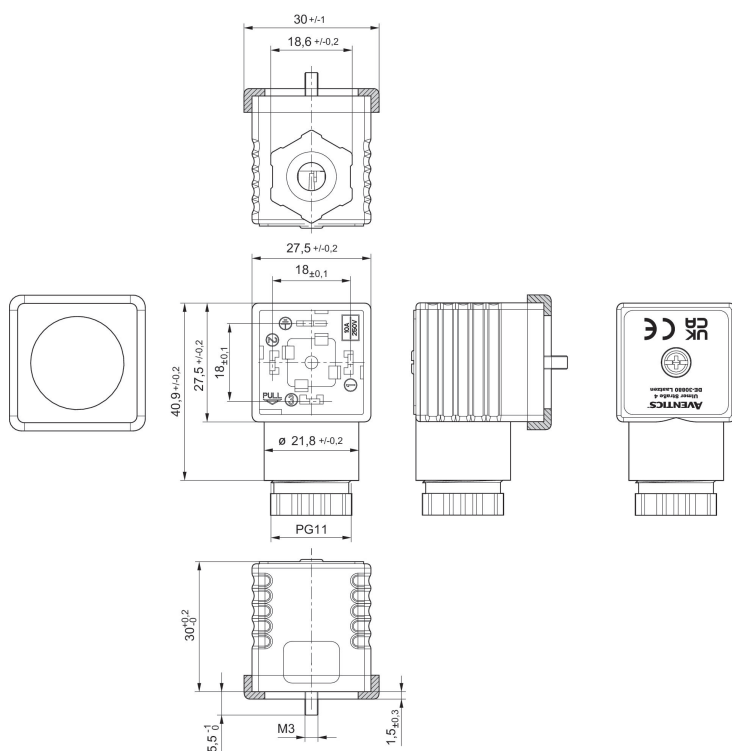
Electrical connection 1, thread size: EN 175301-803, form A
Certificates: CE declaration of conformity UKCA



Operational voltage	Max. current [A]	Contact assignment	min. suitable cable Ø [mm]	max. suitable cable Ø [mm]	Part No.
300 V DC / 250 V AC	10	2+E	4	9.5	1834484048

1834484048

Dimensions



Profile seal

Valve plug connector, series CON-VP, Form A, 300 V DC / 250 V AC, 3-pin

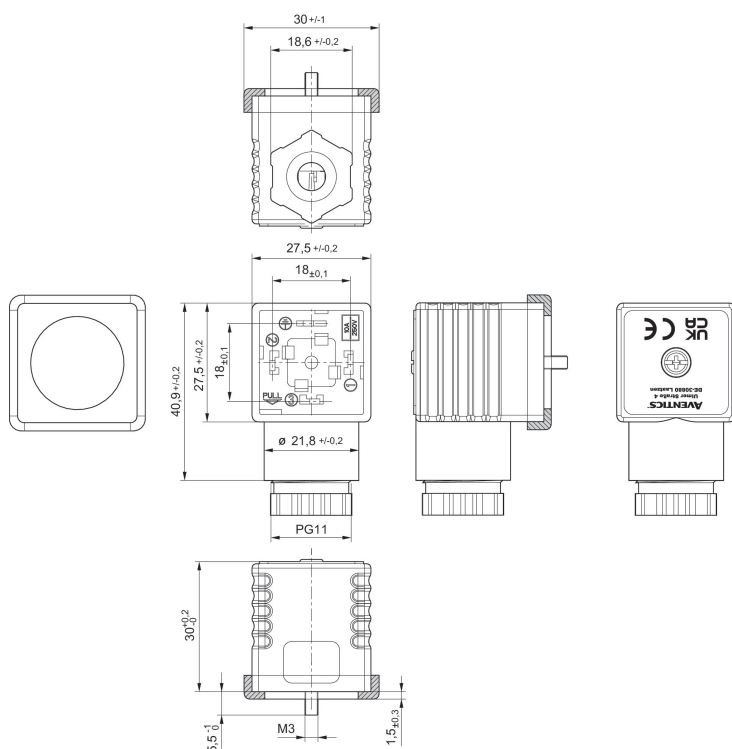
Electrical connection 1, thread size: EN 175301-803, form A
Certificates: CE declaration of conformity UKCA



Operational voltage	Max. current [A]	Contact assignment	min. suitable cable Ø [mm]	max. suitable cable Ø [mm]	Part No.
300 V DC / 250 V AC	10	3+E	4	9.5	1834484059

1834484059

Dimensions



Profile seal

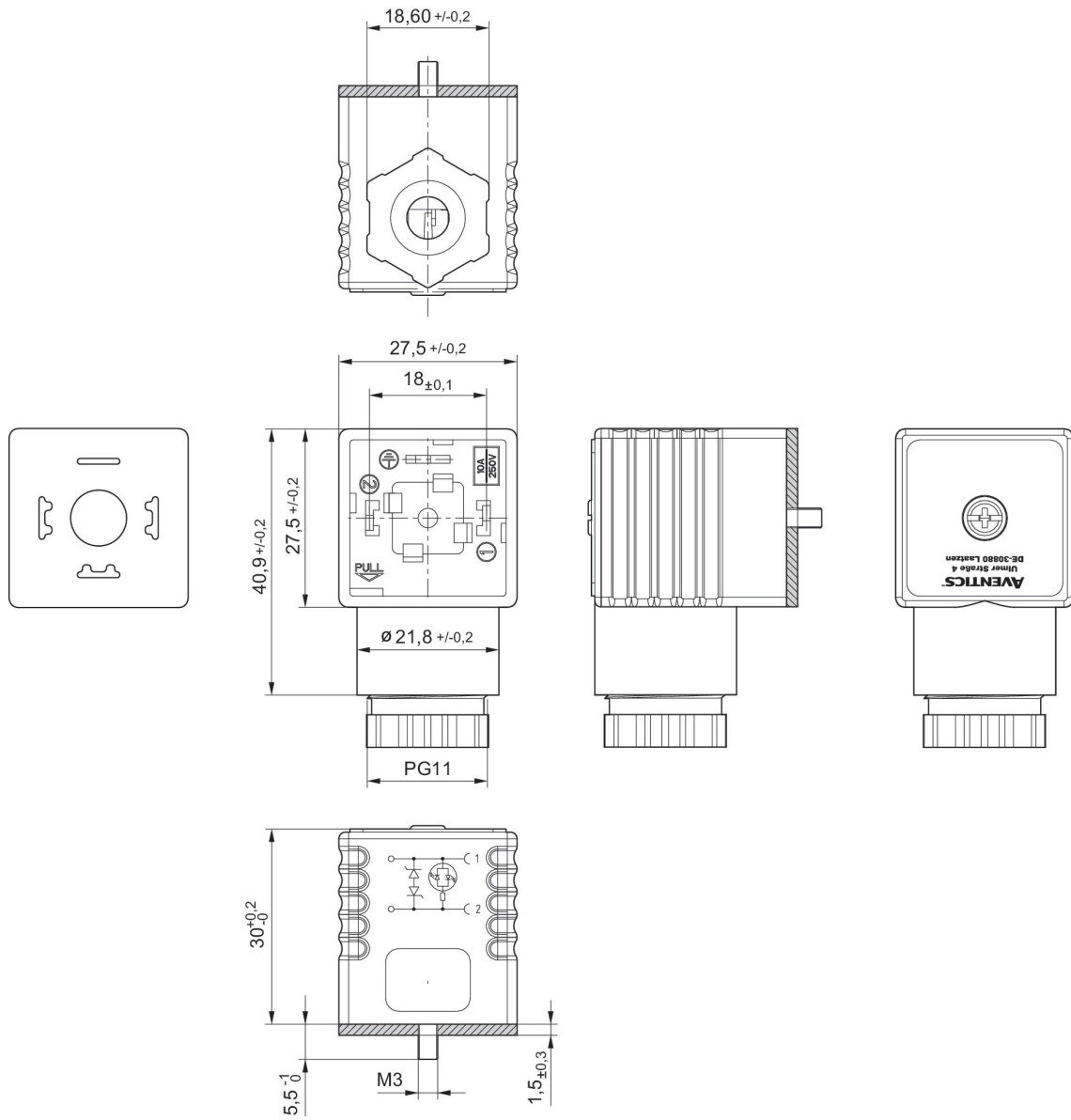
Valve plug connector, series CON-VP, Form A, 24 V AC/DC, Flat gasket

Electrical connection 1, thread size: EN 175301-803, form A



Operational voltage	Protective circuit	Max. current [A]	Contact assignment	LED status display	min. suitable cable Ø [mm]	max. suitable cable Ø [mm]	Part No.
24 V AC/DC	2 Z-diodes	1.5	2+E	Yellow	4	9.5	1834484101

Dimensions



Flat gasket

Valve plug connector, series CON-VP, Form A, 24 V AC/DC, Profile seal

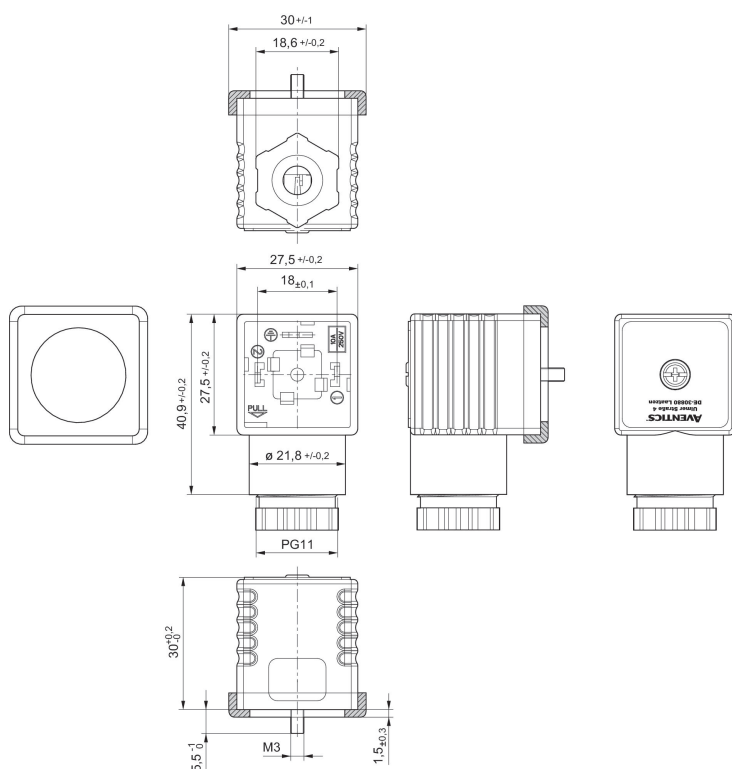
Electrical connection 1, thread size: EN 175301-803, form A



Operational voltage	Protective circuit	Max. current [A]	Contact assignment	LED status display	min. suitable cable Ø [mm]	max. suitable cable Ø [mm]	Part No.
24 V AC/DC	Varistor	1.5	2+E	Green	4	9.5	8941016102

8941016102

Dimensions



Profile seal

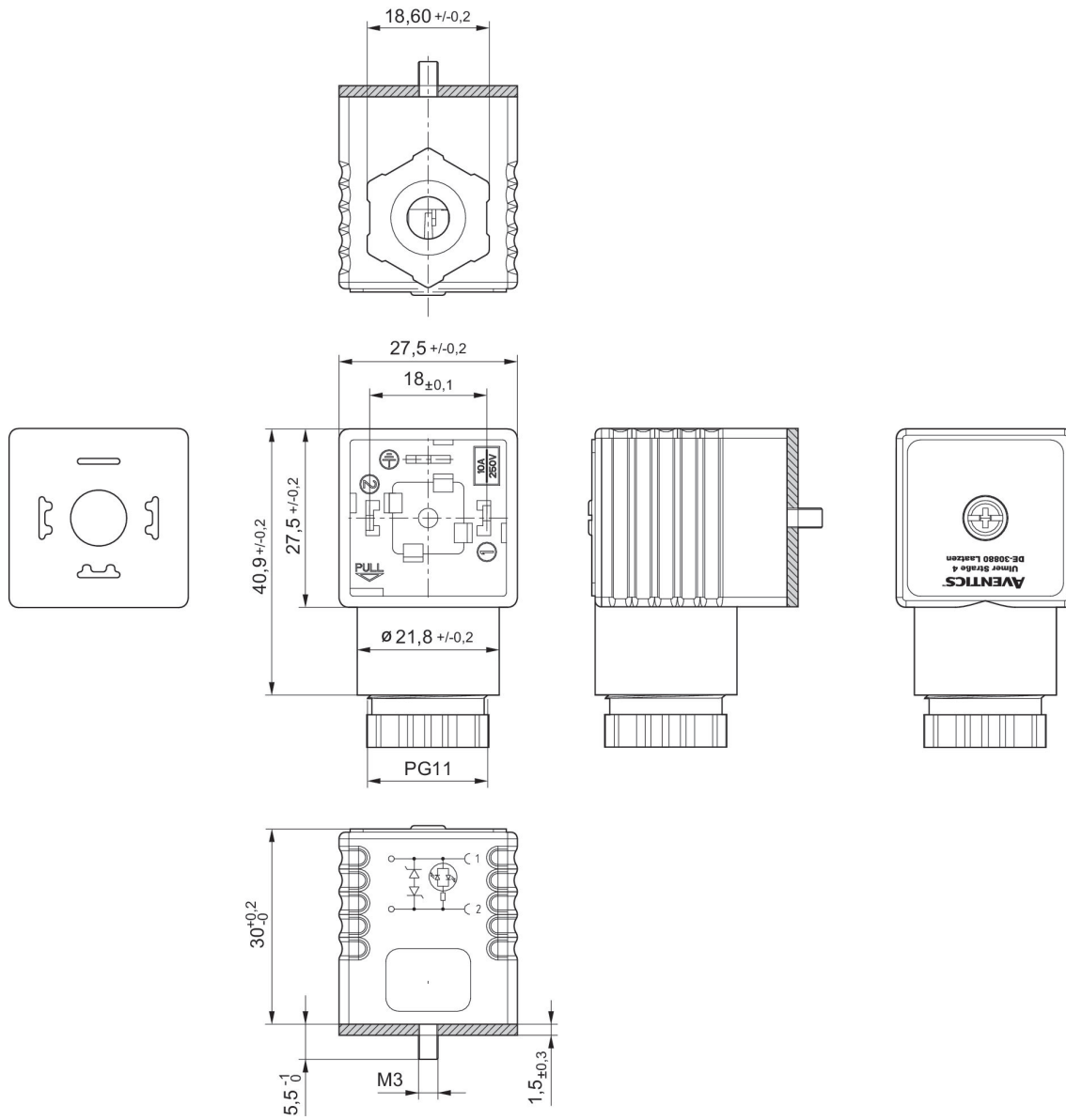
Valve plug connector, series CON-VP, form A, 115/230 V AC/DC

Electrical connection 1, thread size: EN 175301-803, form A
Certificates: CE declaration of conformity UKCA



Operational voltage	Protective circuit	Contact assignment	LED status display	min. suitable cable Ø [mm]	max. suitable cable Ø [mm]	Part No.
115 V AC/DC	Varistor	2+E	Red	6.5	9.5	1834484102
230 V AC/DC	Varistor	2+E	Red	6.5	9.5	1834484103

Dimensions



Flat gasket

Valve plug connector, series CON-VP, Form A, 230 V AC/DC, Profile seal

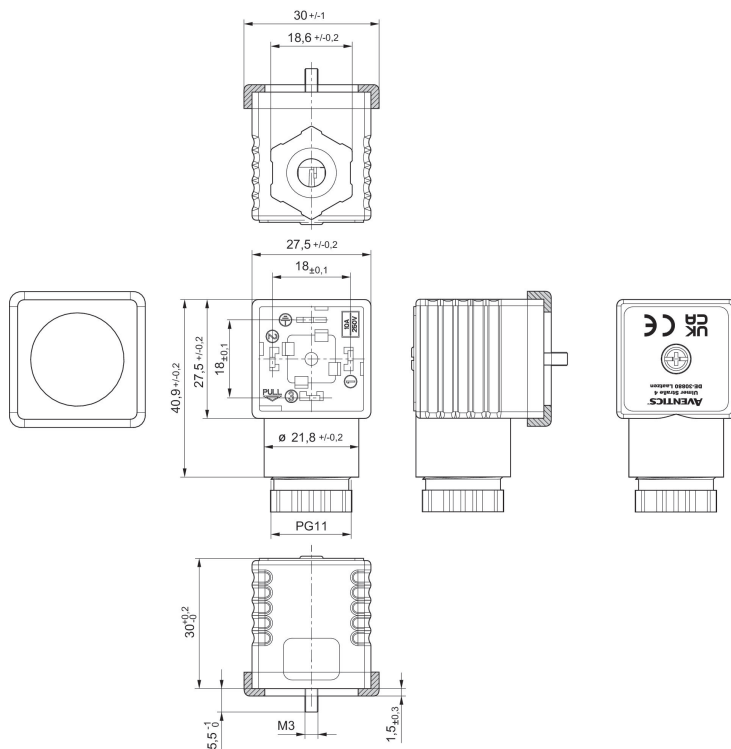
Electrical connection 1, thread size: EN 175301-803, form A
Certificates: CE declaration of conformity UKCA



Operational voltage	Protective circuit	Contact assignment	LED status display	min. suitable cable Ø [mm]	max. suitable cable Ø [mm]	Part No.
230 V AC/DC	Varistor	2+E	Green	6.5	9.5	8941016112

8941016112

Dimensions



Profile seal

Valve plug connector, series CON-VP, Form A, 24 V DC

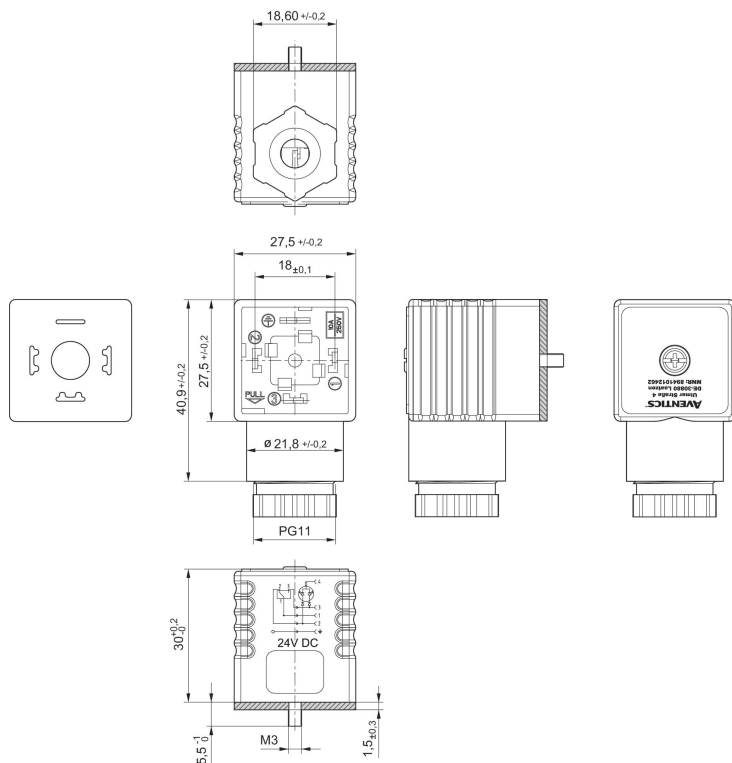
Electrical connection 1, thread size: EN 175301-803, form A



Operational voltage	Protective circuit	Max. current [A]	Contact assignment	LED status display	min. suitable cable Ø [mm]	max. suitable cable Ø [mm]	Part No.
24 V DC	2 diodes (1 A)	1	3+E	green/red	4	9.5	8941012462

8941012462

Dimensions



Flat gasket

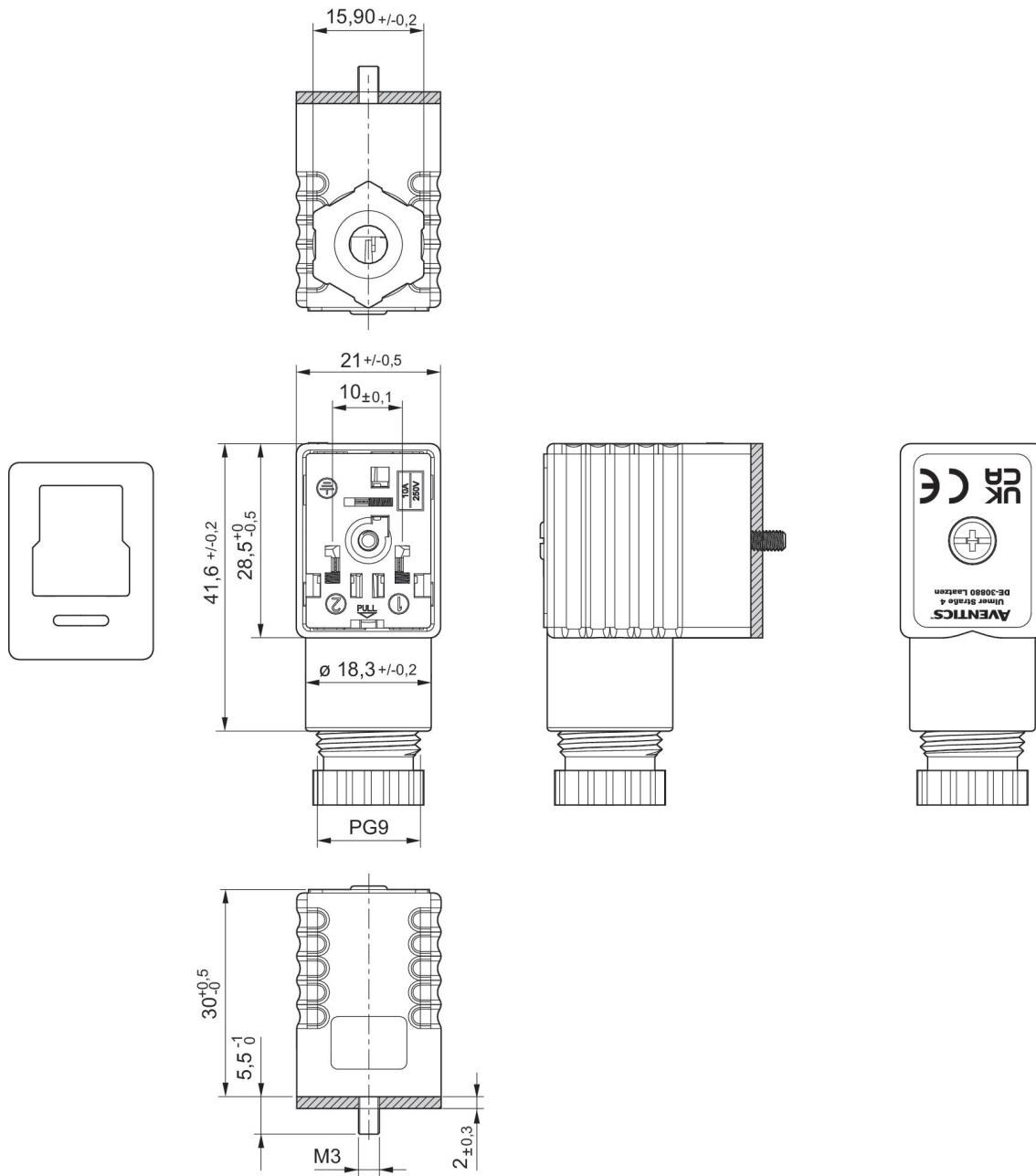
Valve plug connector, series CON-VP, Form B, 300 V DC / 250 V AC

Electrical connection 1, thread size: EN 175301-803, form B
Certificates: CE declaration of conformity UKCA



Operational voltage	Max. current [A]	Contact assignment	min. suitable cable Ø [mm]	max. suitable cable Ø [mm]	Part No.
300 V DC / 250 V AC	10	2+E	4	8	1834484096

Dimensions



Flat gasket

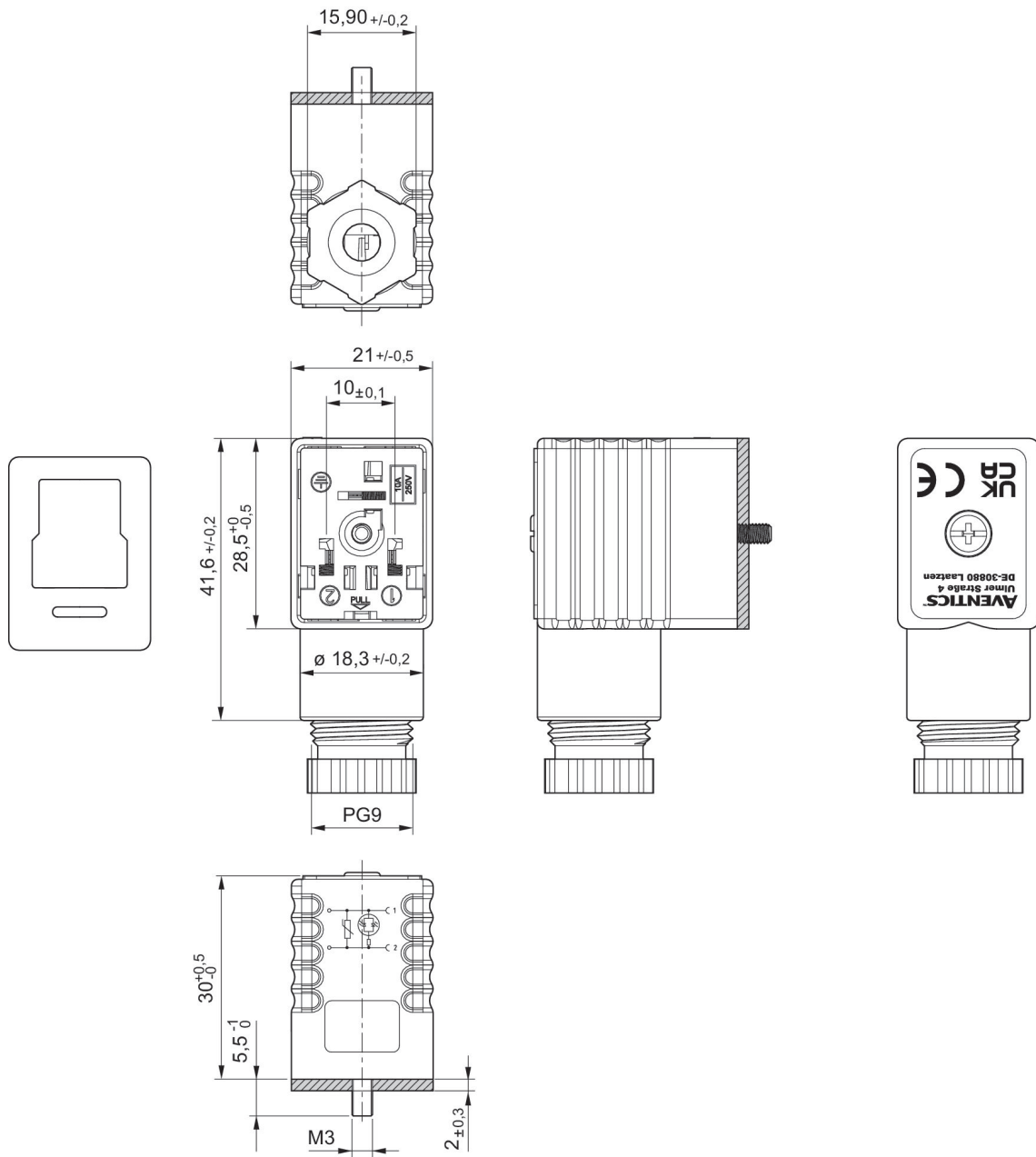
Valve plug connector, series CON-VPP, Form B, 115/230 V AC/DC, LED

Electrical connection 1, thread size: EN 175301-803, form B
Certificates: CE declaration of conformity UKCA



Operational voltage	Protective circuit	Max. current [A]	Contact assignment	LED status display	min. suitable cable Ø [mm]	max. suitable cable Ø [mm]	Part No.
115 V AC/DC	Varistor	1.5	2+E	Red	4	8	1834484105
230 V AC/DC	Varistor	1.5	2+E	Red	4	8	1834484106

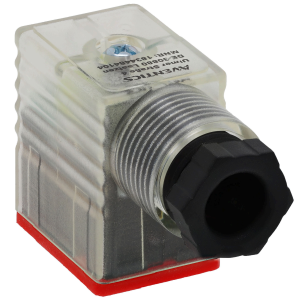
Dimensions



Flat gasket

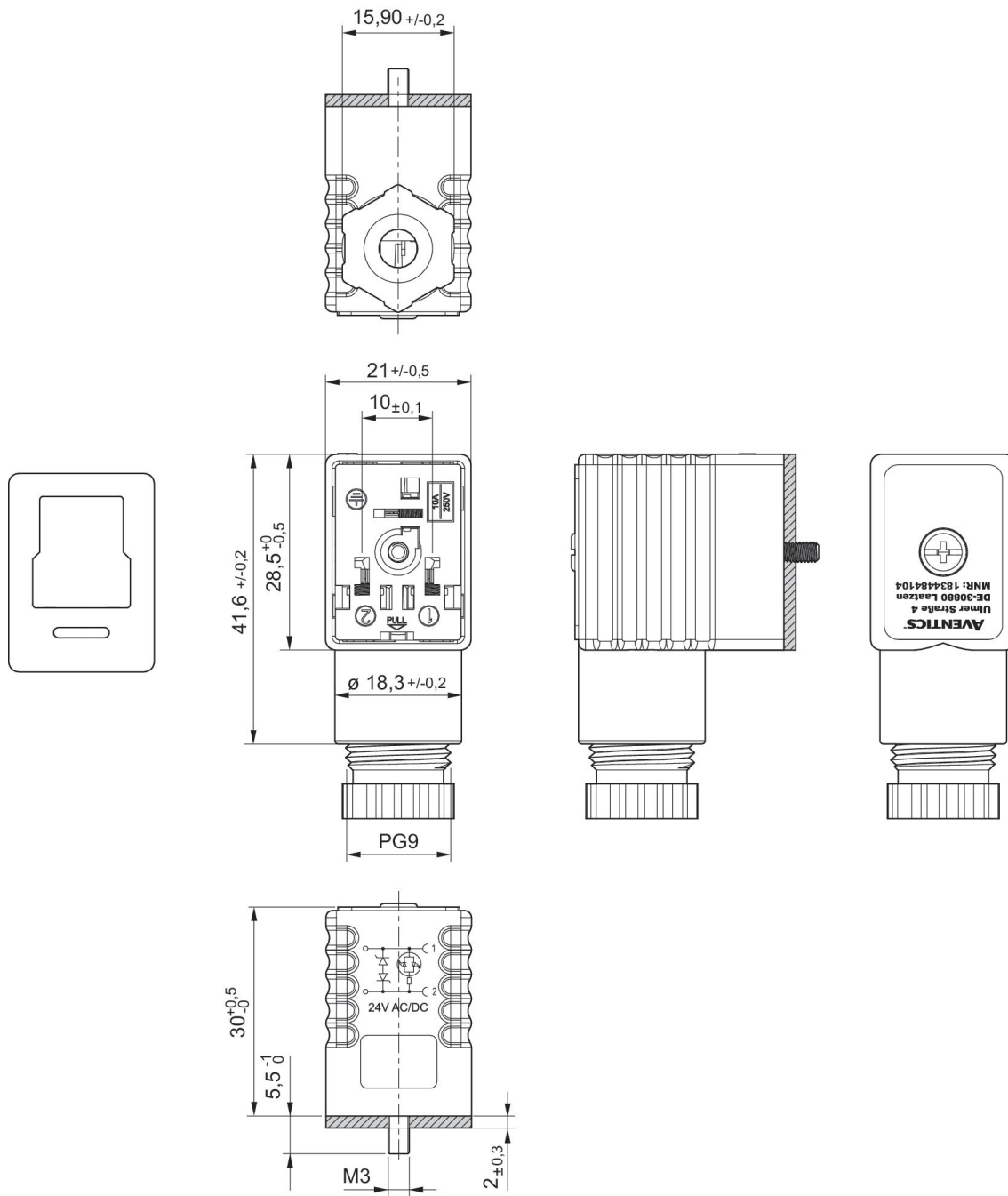
Valve plug connector, series CON-VP, Form B, 24 V AC/DC

Electrical connection 1, thread size: EN 175301-803, form B



Operational voltage	Protective circuit	Max. current [A]	Contact assignment	LED status display	min. suitable cable Ø [mm]	max. suitable cable Ø [mm]	Part No.
24 V AC/DC	2 Z-diodes	1.5	2+E	Yellow	4	8	1834484104

Dimensions



Flat gasket

Valve plug connector, series CON-VP, Form B, industry, 300 V DC / 250 V AC

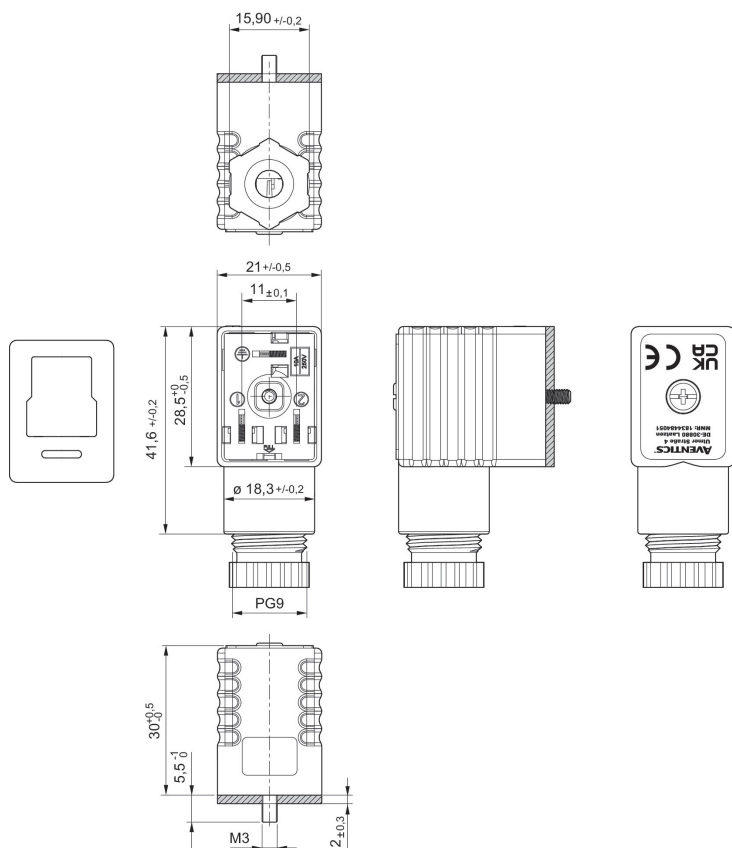
Electrical connection 1, thread size: Form B, industry
Certificates: CE declaration of conformity UKCA



Operational voltage	Max. current [A]	Contact assignment	min. suitable cable Ø [mm]	max. suitable cable Ø [mm]	Part No.
300 V DC / 250 V AC	10	2+E	4	8	1834484051

1834484051

Dimensions



Flat gasket

Valve plug connector, series CON-VP, Form B, industry, 24 V AC/DC

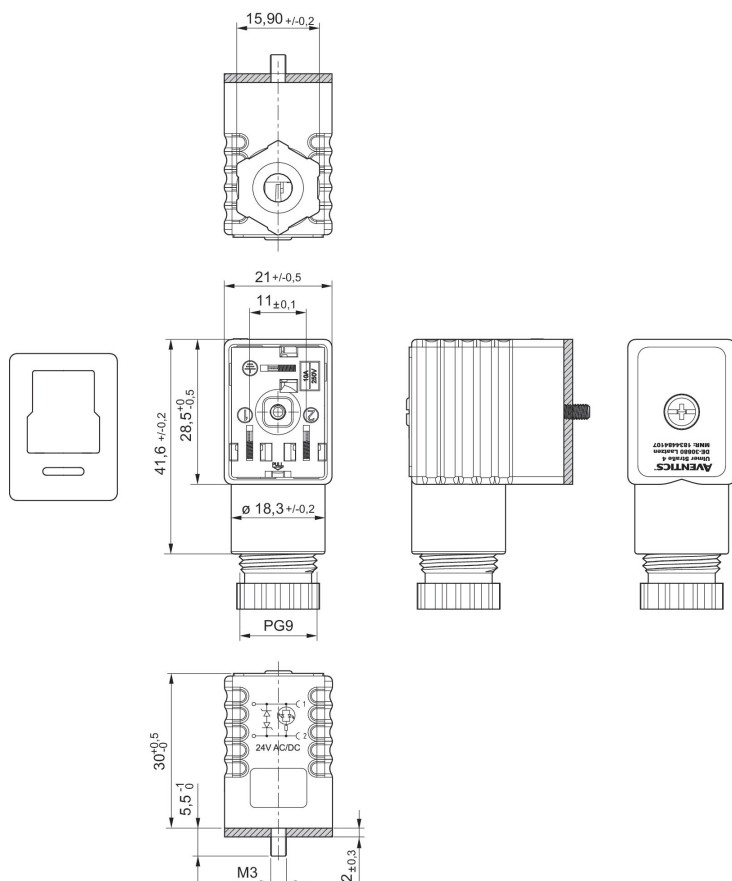
Electrical connection 1, thread size: Form B, industry



Operational voltage	Protective circuit	Max. current [A]	Contact assignment	LED status display	min. suitable cable Ø [mm]	max. suitable cable Ø [mm]	Part No.
24 V AC/DC	2 Z-diodes	1.5	2+E	Yellow	4	8	1834484107

1834484107

Dimensions



Flat gasket

Valve plug connector, series CON-VP, Form B, industry, 115/230 V AC/DC

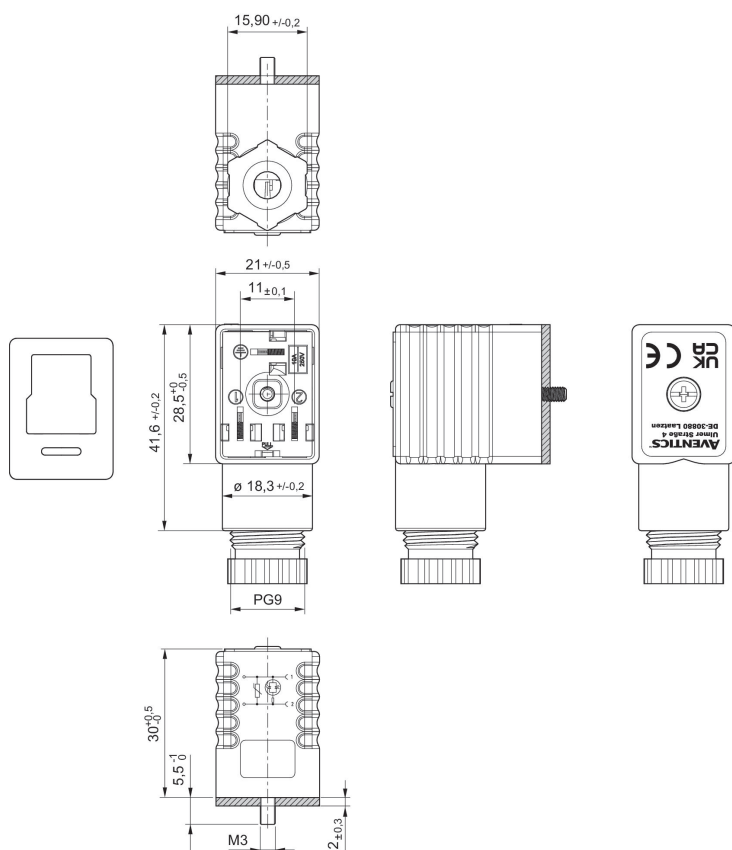
Electrical connection 1, thread size: Form B, industry
Certificates: CE declaration of conformity UKCA



Operational voltage	Protective circuit	Max. current [A]	Contact assignment	LED status display	min. suitable cable Ø [mm]	max. suitable cable Ø [mm]	Part No.
115 V AC/DC	Varistor	1.5	2+E	Red	4	8	1834484108
230 V AC/DC	Varistor	1.5	2+E	Red	4	8	1834484109

1834484108, 1834484109

Dimensions



Flat gasket

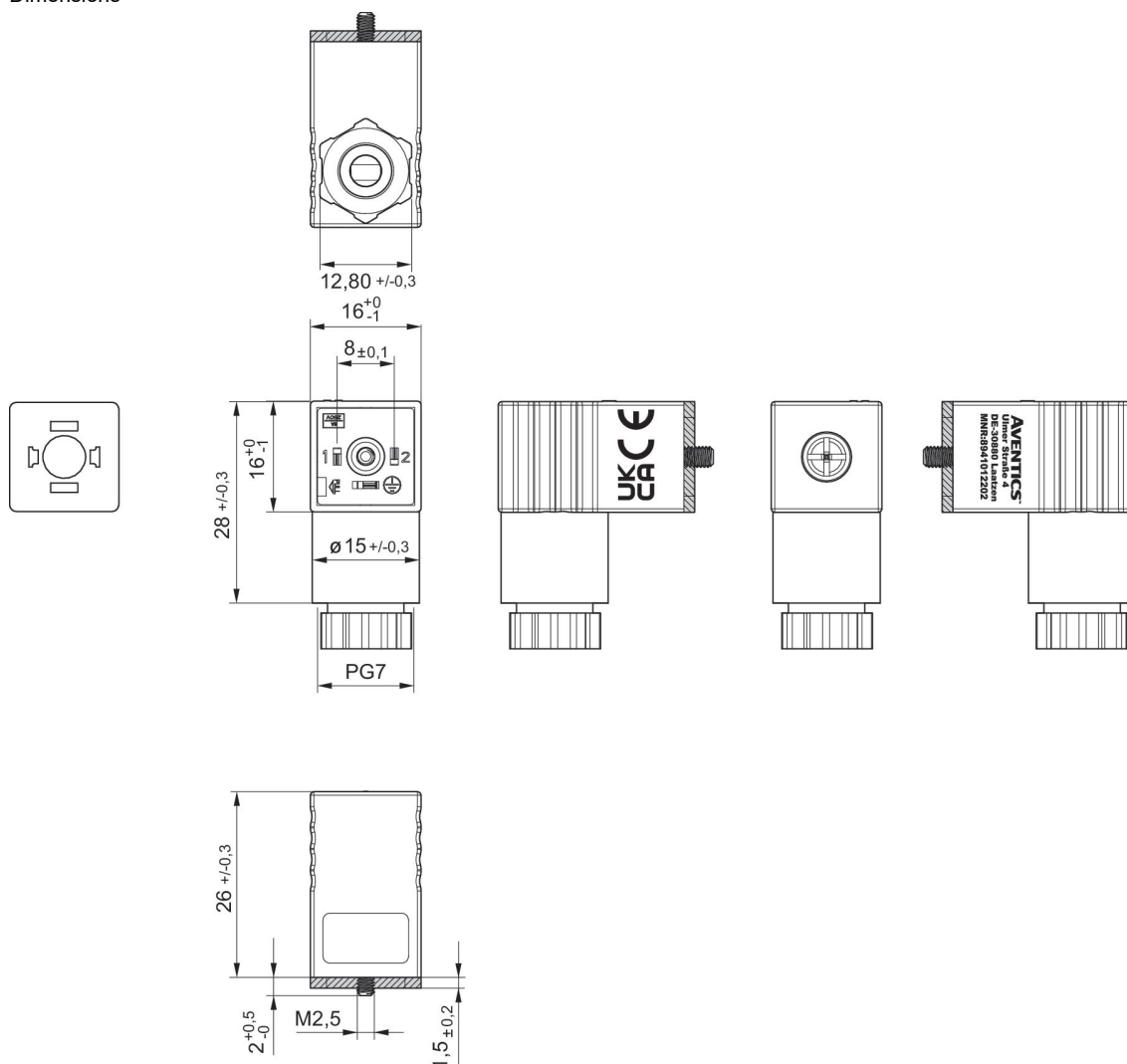
Valve plug connector, series CON-VP, form C, 300 V DC / 250 V AC

Electrical connection 1, thread size: EN 175301-803, form C
Certificates: CE declaration of conformity UKCA



Operational voltage	Max. current [A]	Contact assignment	min. suitable cable Ø [mm]	max. suitable cable Ø [mm]	Part No.
300 V DC / 250 V AC	6	2+E	4	6	8941012202

Dimensions



Flat gasket

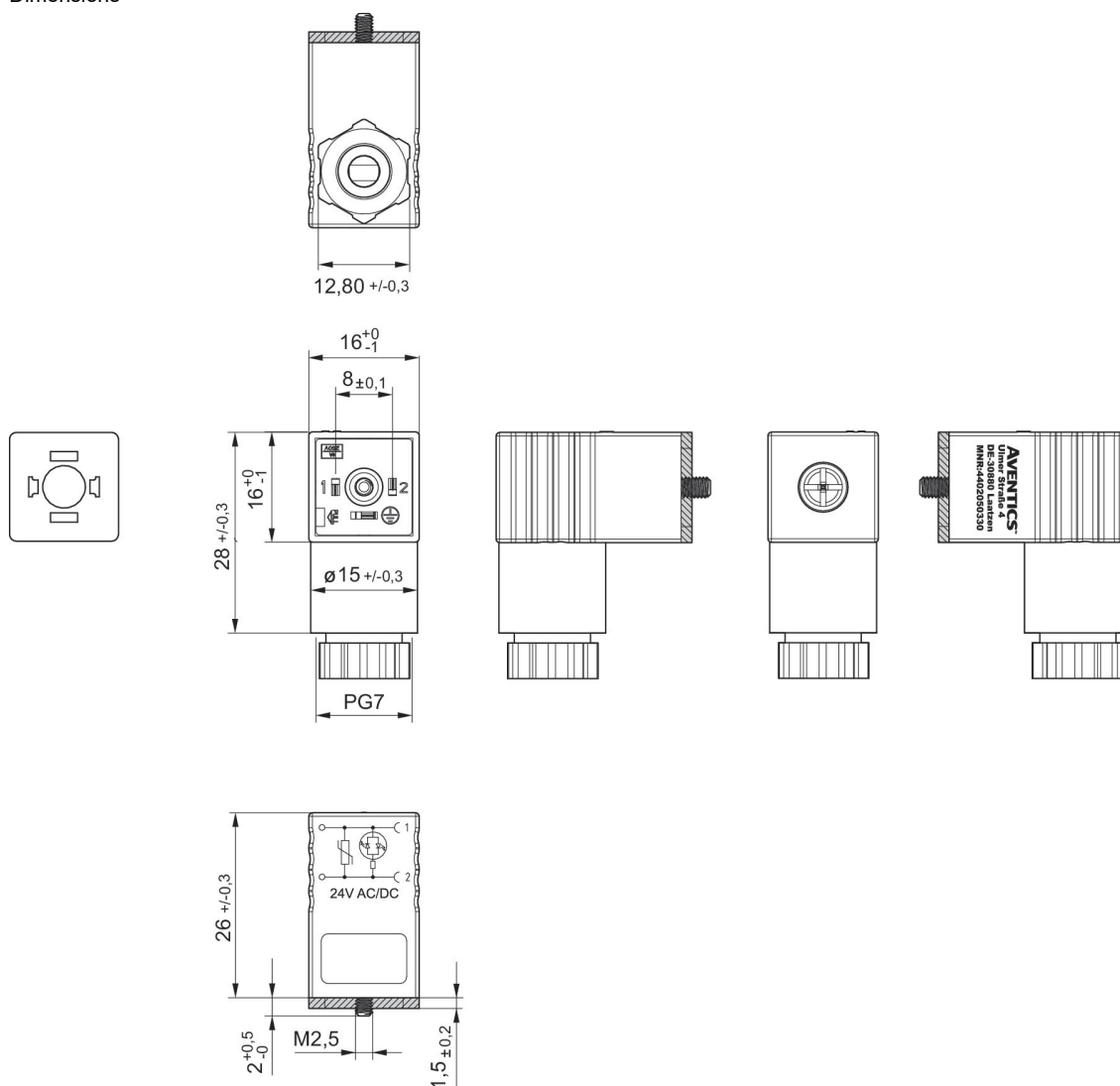
Valve plug connector, series CON-VP, form C, 24 V AC/DC

Electrical connection 1, thread size: EN 175301-803, form C



Operational voltage	Protective circuit	Max. current [A]	Contact assignment	LED status display	min. suitable cable Ø [mm]	max. suitable cable Ø [mm]	Part No.
24 V AC/DC	Varistor	1.5	2+E	Green	4	6	4402050330

Dimensions



Flat gasket

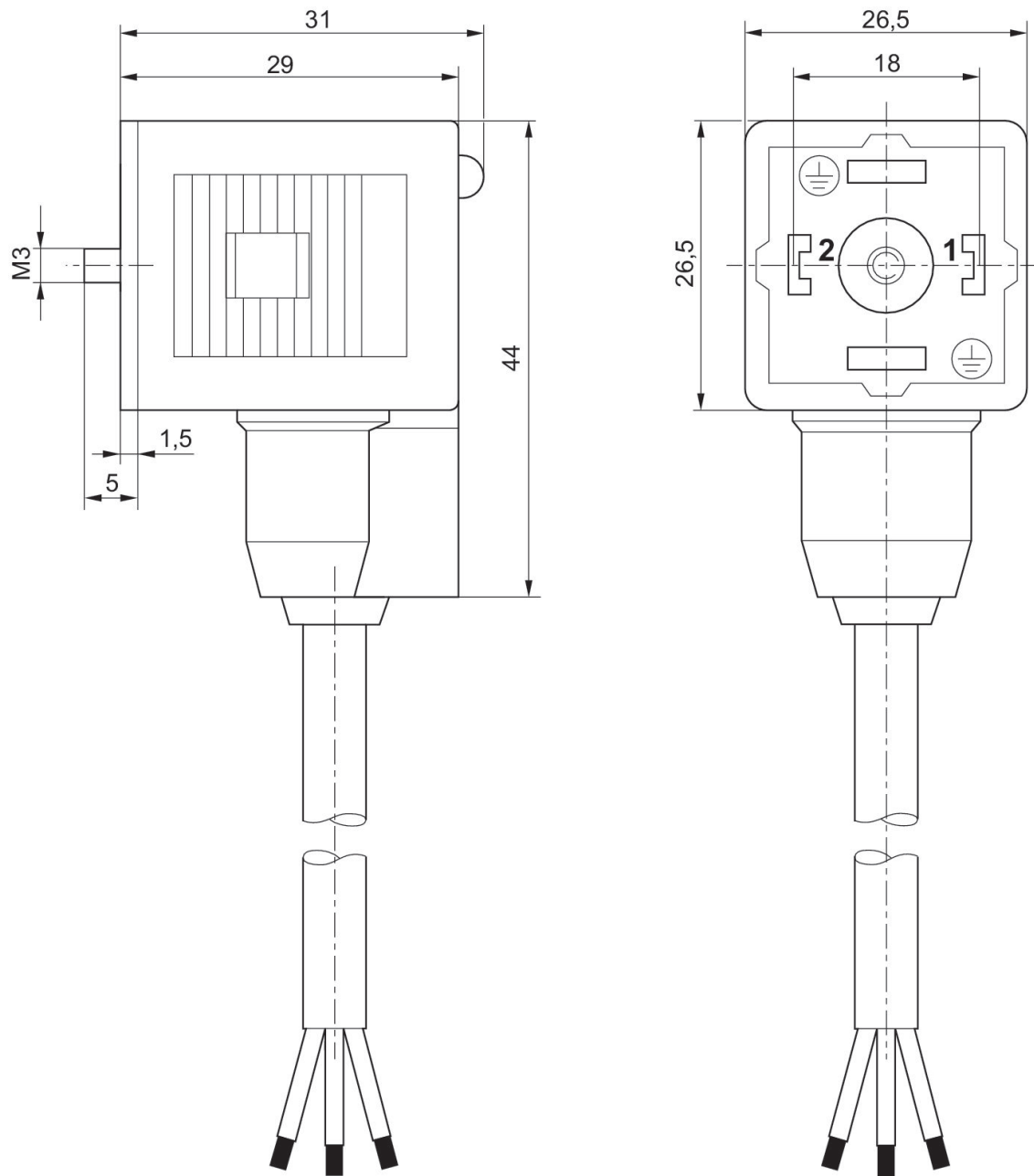
Valve plug connector with cable series CON-VP, 24/230 V AC/DC

Electrical connection 1, thread size: form A



Operational voltage	Protective circuit	Contact assignment	LED status display	Cable-Ø [mm]	Cable length [m]	Part No.
24 V AC/DC	Z-diode	2+E	Yellow	5.9	3	1834484162
24 V AC/DC	Z-diode	2+E	Yellow	5.9	5	1834484163
230 V AC/DC	Varistor	2+E	Red	5.9	3	1834484164
230 V AC/DC	Varistor	2+E	Red	5.9	5	1834484165

Dimensions



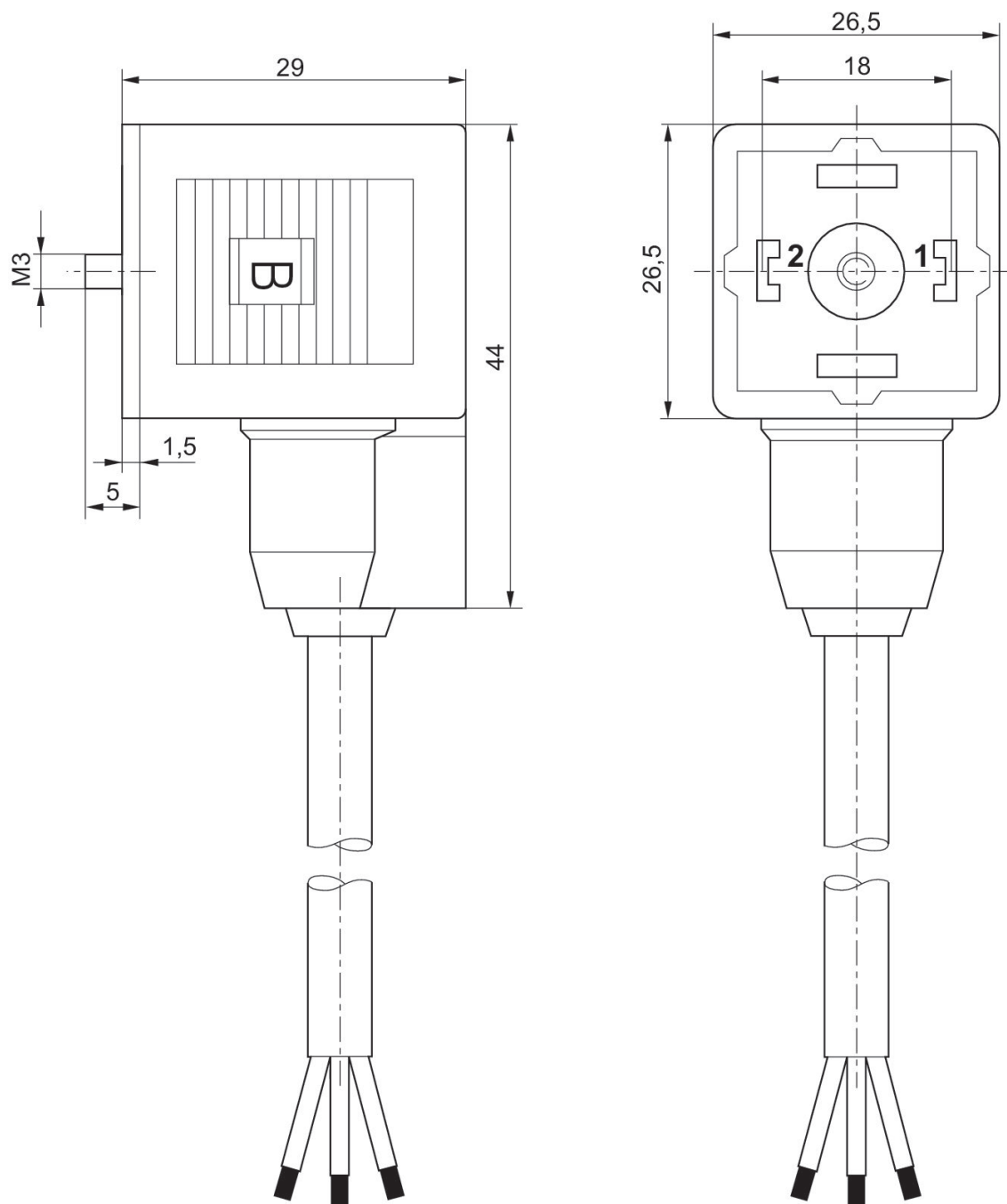
Valve plug connector with cable series CON-VP, 230 V AC/DC

Electrical connection 1, thread size: form A



Operational voltage	Contact assignment	Cable-Ø [mm]	Cable length [m]	Part No.
230 V AC/DC	2+E	5.9	3	1834484160

Dimensions



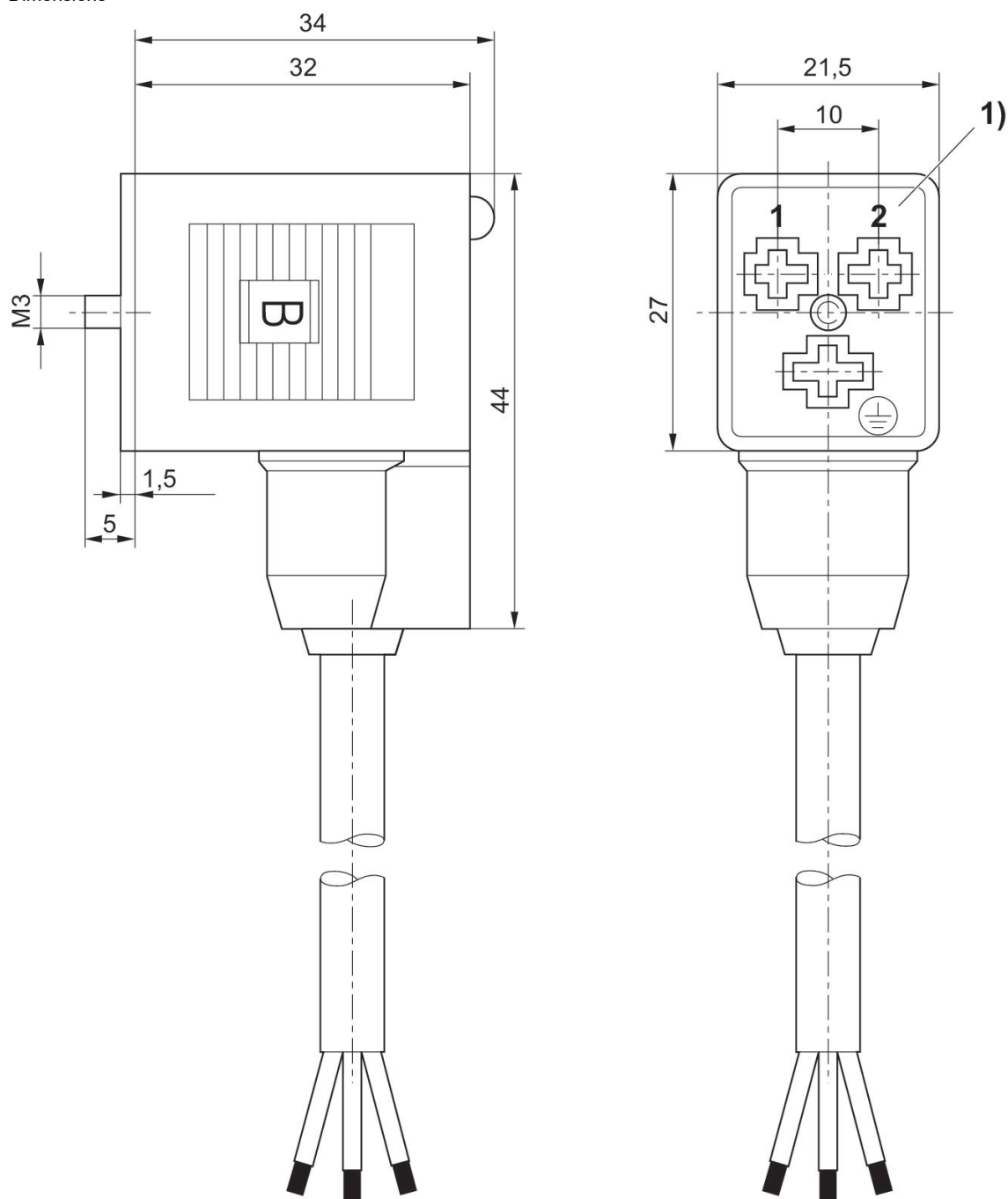
Valve plug connector with cable series CON-VP, Form B, 0° female insert

Electrical connection 1, thread size: Form B



Operational voltage	Protective circuit	Max. current [A]	Contact assignment	LED status display	Cable-Ø [mm]	Cable length [m]	Part No.
24 V AC/DC	Z-diode	10	2+E	Yellow	5.9	3	1834484152
24 V AC/DC	Z-diode	10	2+E	Yellow	5.9	5	1834484154

Dimensions



1) 0° female insert

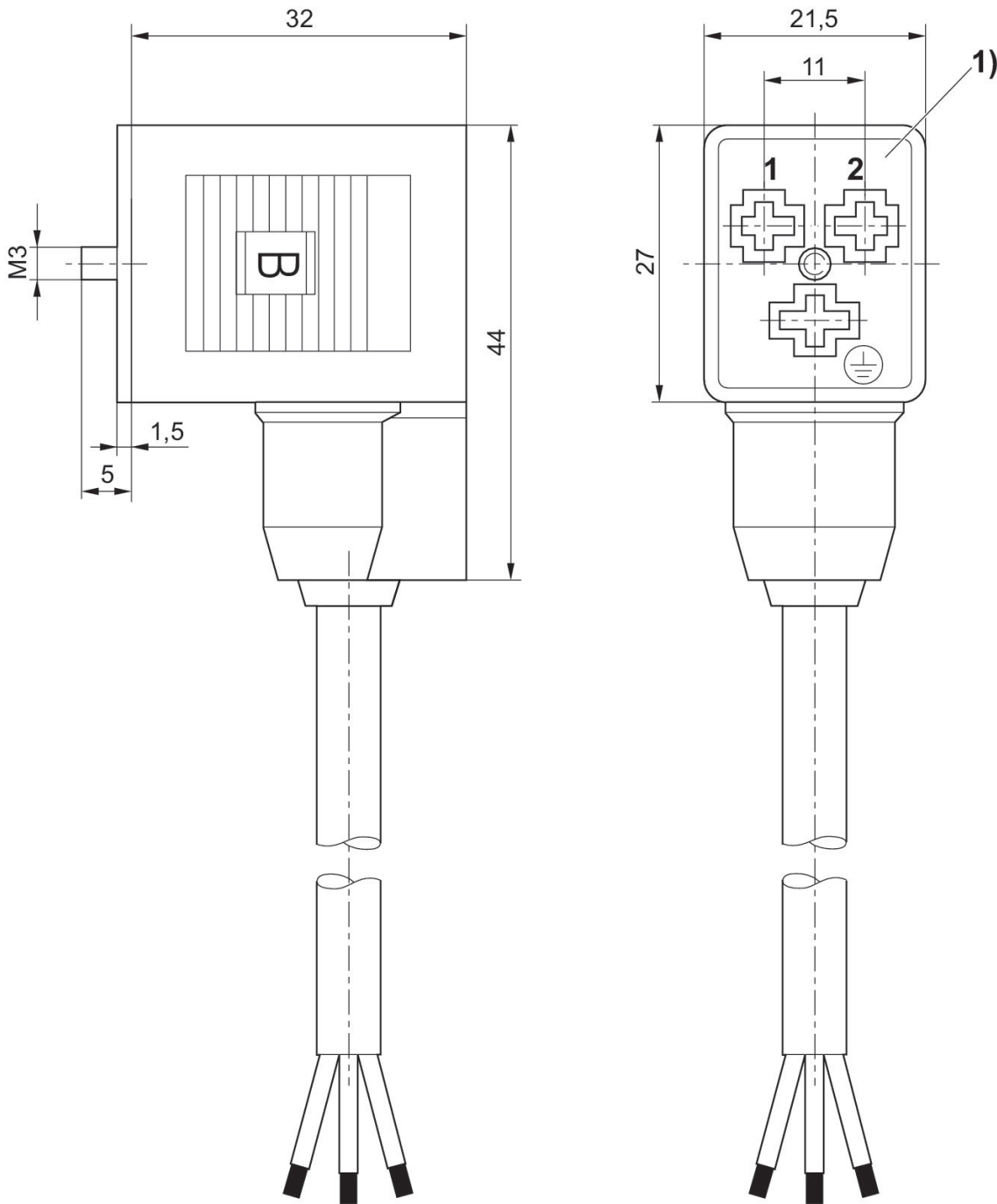
Valve plug connector with cable series CON-VP, Form B industry, 0° female insert

Electrical connection 1, thread size: Form B, industry



Max. current [A]	Contact assignment	Cable-Ø [mm]	Cable length [m]	Part No.
4	2+E	5.9	3	8946201912

Dimensions



1) 0° female insert

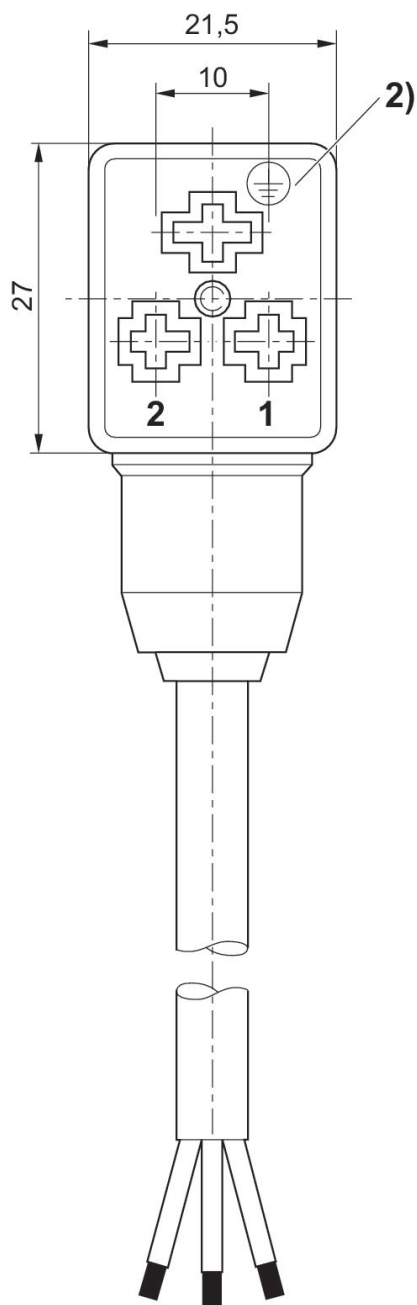
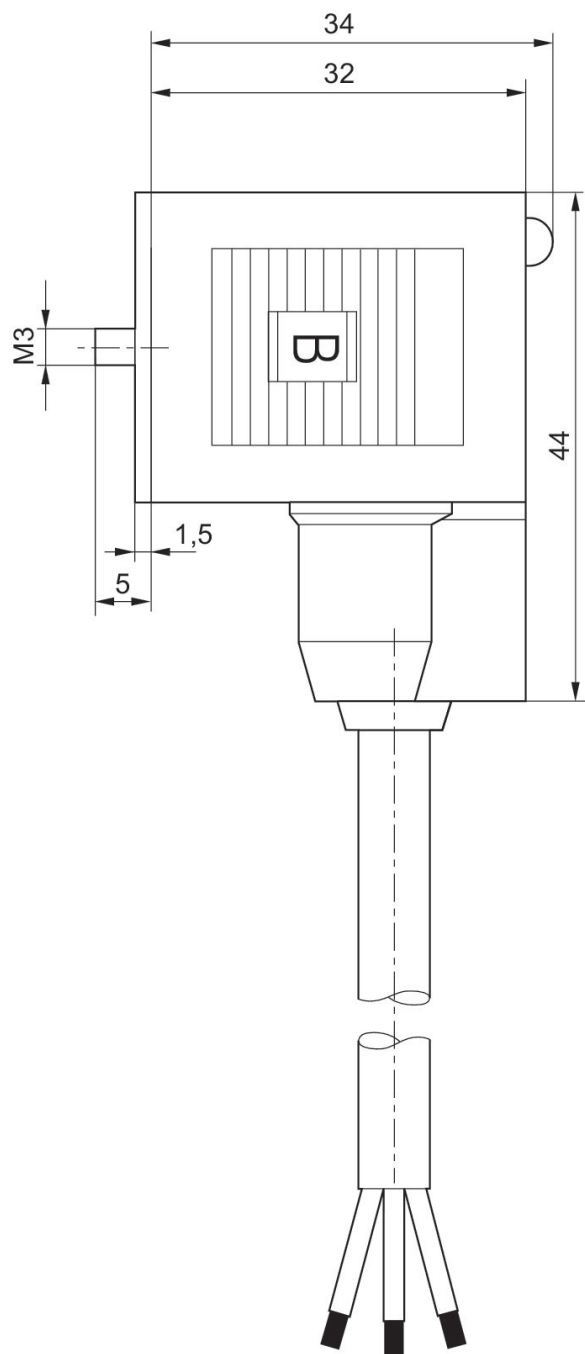
Valve plug connector with cable series CON-VP,, 180° female insert

Electrical connection 1, thread size: Form B



Operational voltage	Protective circuit	Max. current [A]	Contact assignment	LED status display	Cable-Ø [mm]	Cable length [m]	Part No.
24 V AC/DC	Z-diode	10	2+E	Yellow	5.9	3	1834484153
24 V AC/DC	Z-diode	10	2+E	Yellow	5.9	5	1834484155

Dimensions



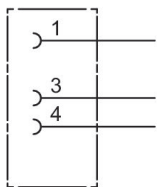
2) 180° female insert

Round plug connector, Series CON-RD, straight

Electrical connection 1, type: Socket

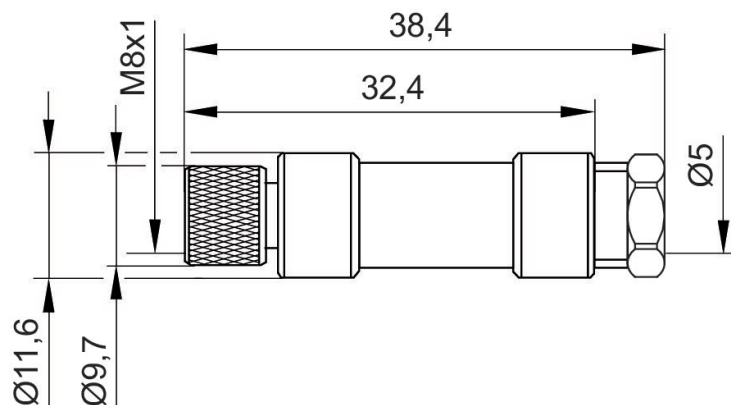
Electrical connection 1, thread size: M8x1

Electrical connection 1, number of poles: 3-pin



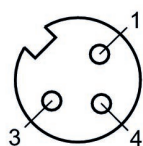
Operational voltage	Contact assignment	Coding	Shielding	Connection type	Max. current [A]	min. suitable cable Ø [mm]	max. suitable cable Ø [mm]	Min. ambient temperature [°C]	Max. ambient temperature [°C]	Part No.
48 V AC/DC	3-pin	A-coded	unshielded	Soldering	4	3.5	5	-25	80	1834484173

Dimensions



1834484173

Pin assignment, socket

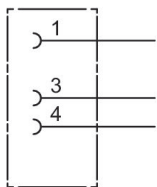


Round plug connector, Series CON-RD, angled

Electrical connection 1, type: Socket

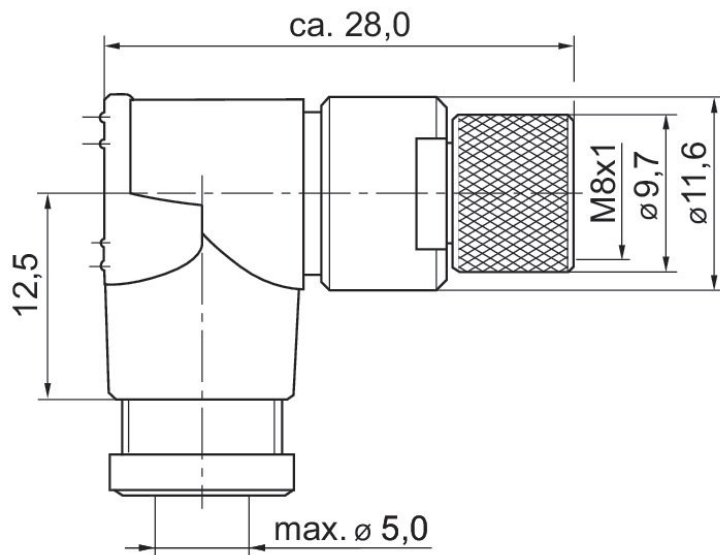
Electrical connection 1, thread size: M8x1

Electrical connection 1, number of poles: 3-pin



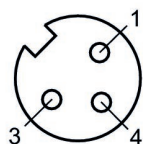
Operational voltage	Contact assignment	Coding	Shielding	Connection type	Max. current [A]	min. suitable cable Ø [mm]	max. suitable cable Ø [mm]	Min. ambient temperature [°C]	Max. ambient temperature [°C]	Part No.
48 V AC/DC	3-pin	A-coded	unshielded	Soldering	4	3.5	5	-40	85	1834484174

Dimensions in mm



1834484174

Pin assignment, socket

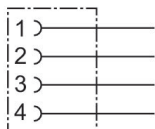


Round plug connector, Series CON-RD, straight, 4-pin

Electrical connection 1, type: Socket

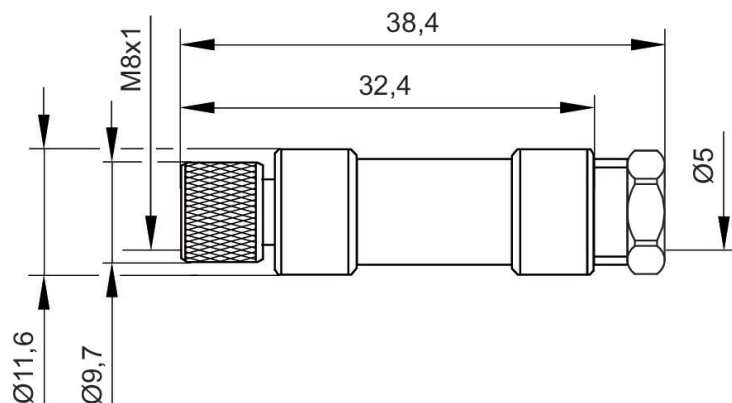
Electrical connection 1, thread size: M8x1

Electrical connection 1, number of poles: 4-pin



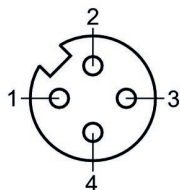
Operational voltage	Contact assignment	Coding	Shielding	Connection type	Max. current [A]	min. suitable cable Ø [mm]	max. suitable cable Ø [mm]	Min. ambient temperature [°C]	Max. ambient temperature [°C]	Part No.
48 V AC/DC	4-pin	A-coded	unshielded	Soldering	4	3.5	5	-40	85	1834484175

Dimensions



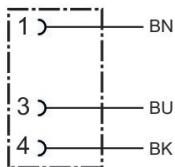
1834484175

Pin assignment, socket



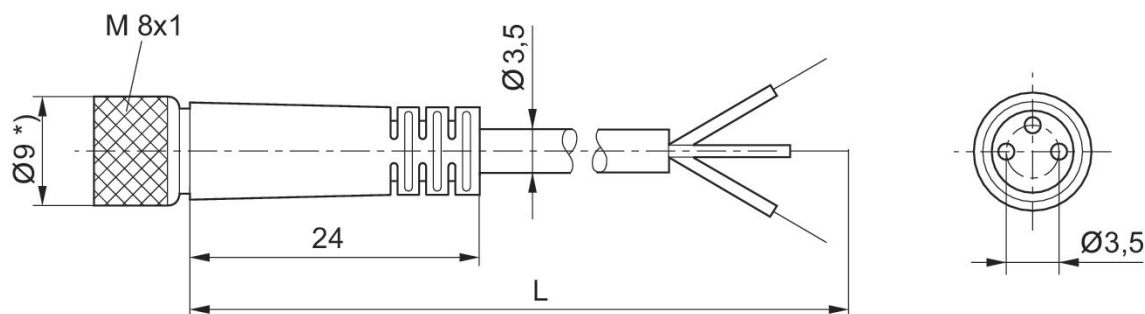
Round plug connector, Series CON-RD, open cable ends, straight

Electrical connection 1, type: Socket
 Electrical connection 2, type: open cable ends
 Electrical connection 1, thread size: M8x1
 Electrical connection 1, number of poles: 3-pin



Operational voltage	Current [A]	Shielding	Electrical connection 1, type	Electrical connection 1, thread size	Electrical connection 1, coding	Electrical connection 2, type	Cable length [m]	Cable-Ø [mm]	Wire cross-section [mm²]	Part No.
36 V DC / 30 V AC	2.5	unshielded	Socket	M8x1	A-coded	open cable ends	2	3.5	0.34	8946201312
60 V DC / 110 V AC	2.5	unshielded	Socket	M8x1	A-coded	open cable ends	15	3.5	0.34	8946201332

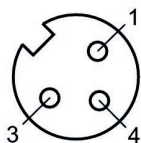
Dimensions



L = length
 *) With 15 m cable length Ø12

8946201312, 8946201332

Pin assignment, socket



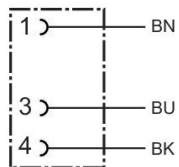
(1) BN=brown (3) BU=blue (4) BK=black

Round plug connector, Series CON-RD, open cable ends, angled

Electrical connection 1, type: Socket

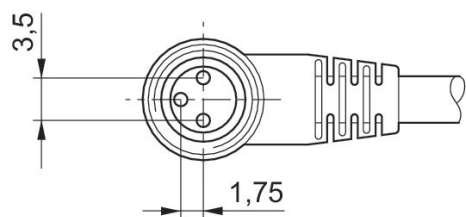
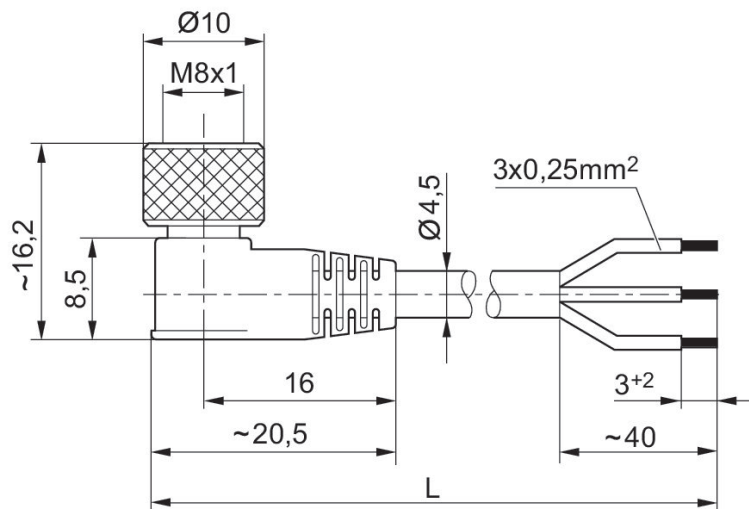
Electrical connection 1, thread size: M8x1

Electrical connection 1, number of poles: 3-pin



Operational voltage	Current [A]	Shielding	Electrical connection 1, type	Electrical connection 1, thread size	Electrical connection 1, coding	Electrical connection 2, type	Cable length [m]	Cable-Ø [mm]	Wire cross-section [mm²]	Min. ambient temperature [°C]	Max. ambient temperature [°C]	Part No.
48 V AC/DC	4	unshielded	Socket	M8x1	A-coded	open cable ends	3	4.5	0.24	-40	85	1834484167
48 V AC/DC	4	unshielded	Socket	M8x1	A-coded	open cable ends	5	4.5	0.24	-40	85	1834484169
48 V AC/DC	4	unshielded	Socket	M8x1	A-coded	open cable ends	10	4.5	0.24	-40	85	1834484248

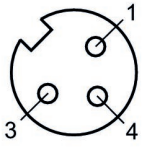
Dimensions



L = length

1834484167, 1834484169, 1834484248

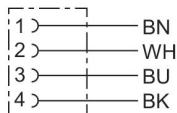
Pin assignment, socket



(1) BN=brown (3) BU=blue (4) BK=black

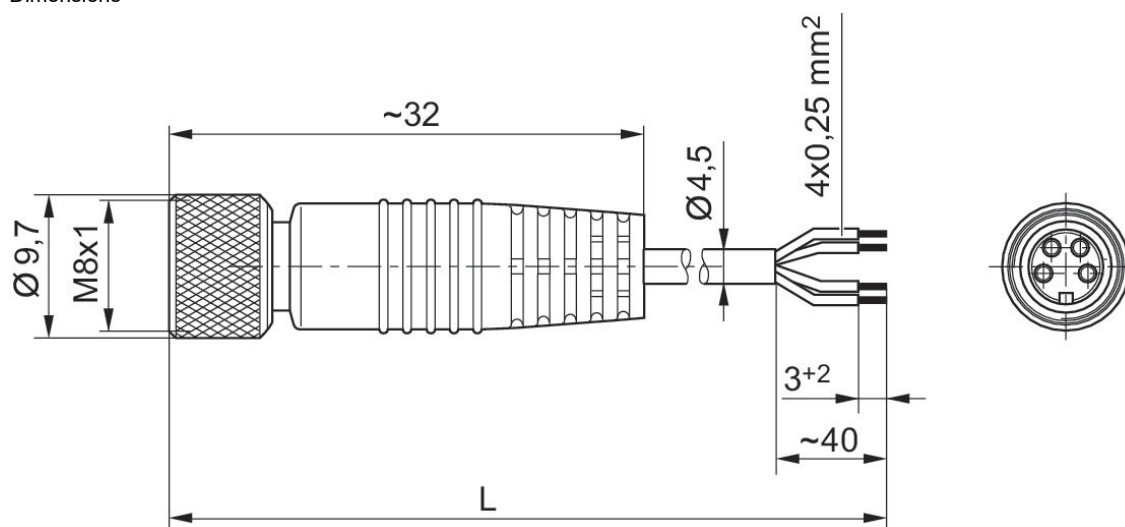
Round plug connector, Series CON-RD, open cable ends, straight, 4-pin

Electrical connection 1, type: Socket
 Electrical connection 1, thread size: M8x1
 Electrical connection 1, number of poles: 4-pin



Operational voltage	Current [A]	Shielding	Electrical connection 1, type	Electrical connection 1, thread size	Electrical connection 1, coding	Electrical connection 2, type	Cable length [m]	Cable-Ø [mm]	Wire cross-section [mm²]	Min. ambient temperature [°C]	Max. ambient temperature [°C]	Part No.
48 V AC/DC	4	unshielded	Socket	M8x1	A-coded	open cable ends	3	4.5	0.25	-40	85	1834484144
48 V AC/DC	4	unshielded	Socket	M8x1	A-coded	open cable ends	5	4.5	0.25	-40	85	1834484146

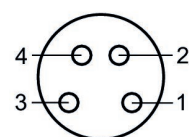
Dimensions



L = length

1834484144, 1834484146

Pin assignment, socket







(1) BN=brown (2) WH=white (3) BU=blue (4) BK=black

Efficient pneumatic solutions, our program:
cylinders and drives, valves and valve systems,
air supply management, proportional pressure
control valves



Visit us: www.Emerson.com/aventics
Your local contact: Emerson.com/contactus

-  Emerson.com
-  Facebook.com/EmersonAutomationSolutions
-  LinkedIn.com/company/Emerson-Automation-Solutions
-  Twitter.com/EMR_Automation



The Emerson logo is a trademark and service mark of Emerson Electric Co. AVENTICS is a registered trademark of one of the Emerson family of companies. All other trademarks are the property of their respective owners. © 2020 Emerson Electric Co. All rights reserved.



CONSIDER IT SOLVED™