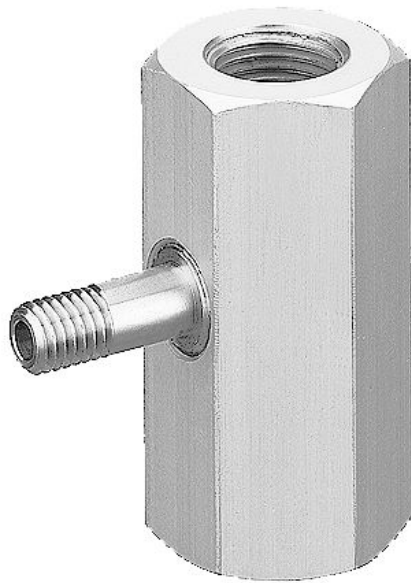


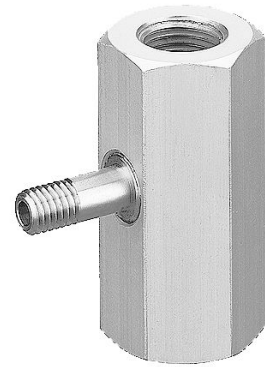
系列 EIX



系列 EIX

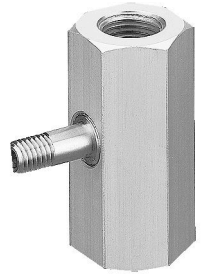
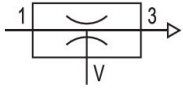
AVENTICS EIX Series Inline vacuum ejectors are pneumatically operated. Inline ejector Series EIX can be installed directly between suction cup and compressed air supply to handle all types of workpieces with manipulators, industrial robots and feeder systems.

- 气动控制



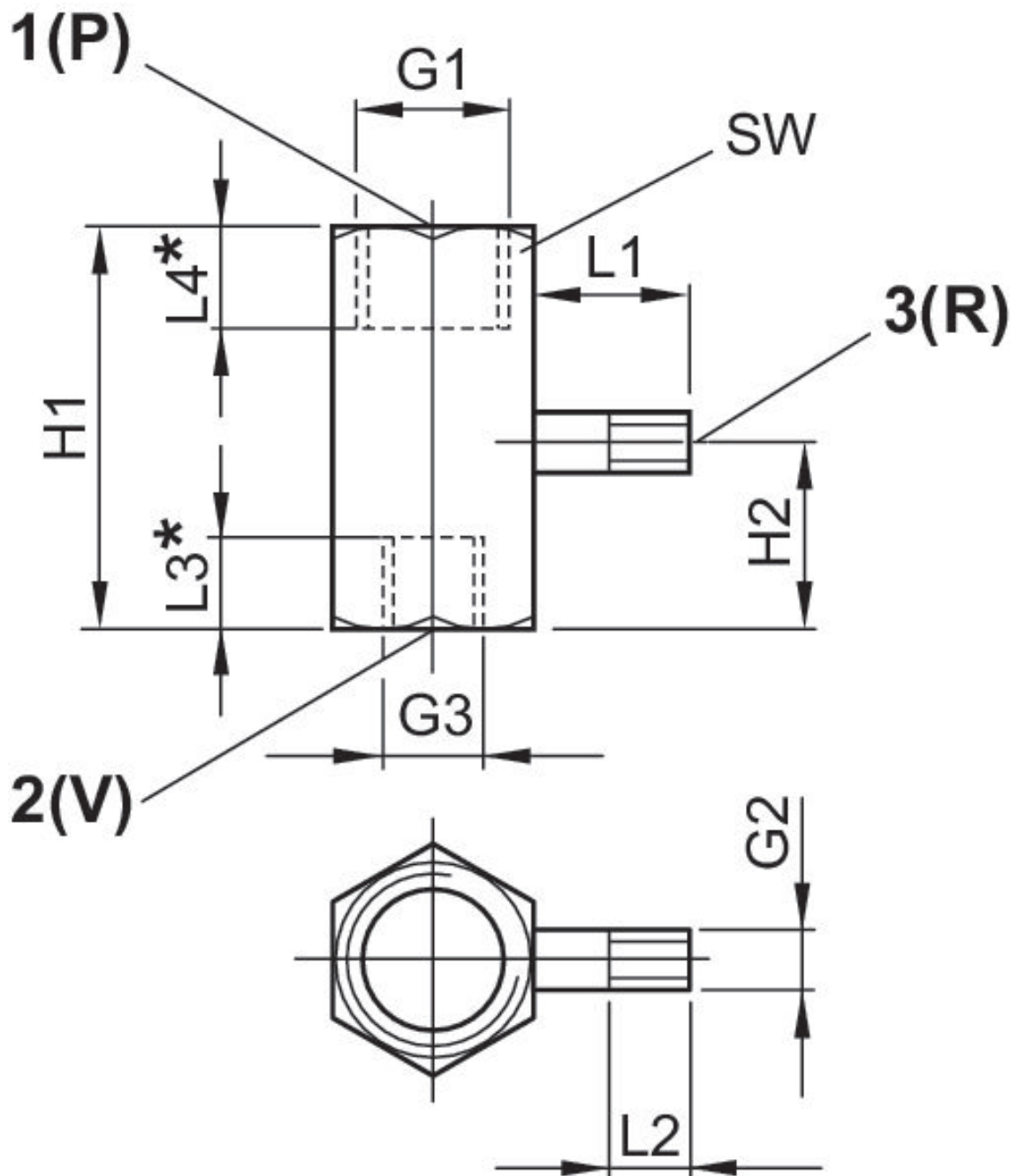
真空发生器一体, 系列 EIX

气动



操作	喷嘴直径 [mm]	每次操作时的 最大真空度 [%]	最大吸入-流量 [l/min]	每项操作所需空气 [l/min]	物料号
气动	0.7	81	11	21	0821305009

规格



物料号	L1	L2	L3	L4	H1	H2	G1	G2	G3	SW
0821305186	12.8	5	7.5	10	35	16	G 1/4	M5	G 1/8	17
0821305009	12.8	5	7.5	10	35	16	G 1/4	M5	G 1/8	17
0821305187	12.8	5	7.5	10	35	16	G 1/4	M5	G 1/8	17

Efficient pneumatic solutions, our program: cylinders and drives, valves and valve systems, air supply management



Visit us: [Emerson.com/Aventics](https://www.emerson.com/Aventics)

Your local contact: [Emerson.com/contactus](https://www.emerson.com/contactus)



[Emerson.com](https://www.emerson.com)



[Facebook.com/EmersonAutomationSolutions](https://www.facebook.com/EmersonAutomationSolutions)



[LinkedIn.com/company/Emerson-Automation-Solutions](https://www.linkedin.com/company/Emerson-Automation-Solutions)



[Twitter.com/EMR_Automation](https://twitter.com/EMR_Automation)

An example configuration is depicted on the title page. The delivered product may thus vary from that in the illustration. Subject to change. This Document, as well as the data, specifications and other information set forth in it, are the exclusive property of AVENTICS GmbH. It may not be reproduced or given to third parties without its consent. Only use the AVENTICS products shown in industrial applications. Read the product documentation completely and carefully before using the product. Observe the applicable regulations and laws of the respective country. When integrating the product into applications, note the system manufacturer's specifications for safe use of the product. The data specified only serve to describe the product. No statements concerning a certain condition or suitability for a certain application can be derived from our information. The information given does not release the user from the obligation of own judgment and verification. It must be remembered that the products are subject to a natural process of wear and aging.

The Emerson logo is a trademark and service mark of Emerson Electric Co. Brand logotype are registered trademarks of one of the Emerson family of companies. All other marks are the property of their respective owners. © 2019 Emerson Electric Co. All rights reserved.



CONSIDER IT SOLVED™