

## Série ST6-SM



**AVENTICS™**

**AVENTICS™ Series ST6-SM**  
Distance measuring sensors

  
**EMERSON™**

## **Sensores, Série ST6-SM**

The AVENTICS Series ST6-SM are distance measuring sensors, which ensure a continuous detection of the piston movements in measuring ranges up to 50 mm. IO-Link allows setting of 8 switching zero point. The compact sensors of 32,5 mm are easy to mount in the 6 mm t-slot. The actuator diagnosis function of the sensor uses performance data such as piston velocity, piston travel or number of piston strokes to make the processes in pneumatic drives visible.

- Position feedback within a fixed measuring range of up to 50 mm
- IO-Link (position measurement, 8 switching points, actuator diagnosis function)
- tipo de construção compacto
- Actuator diagnosis data: Piston velocity, piston stroke, magnetic field strengths, etc.
- For all commonly used 6mm T-slots



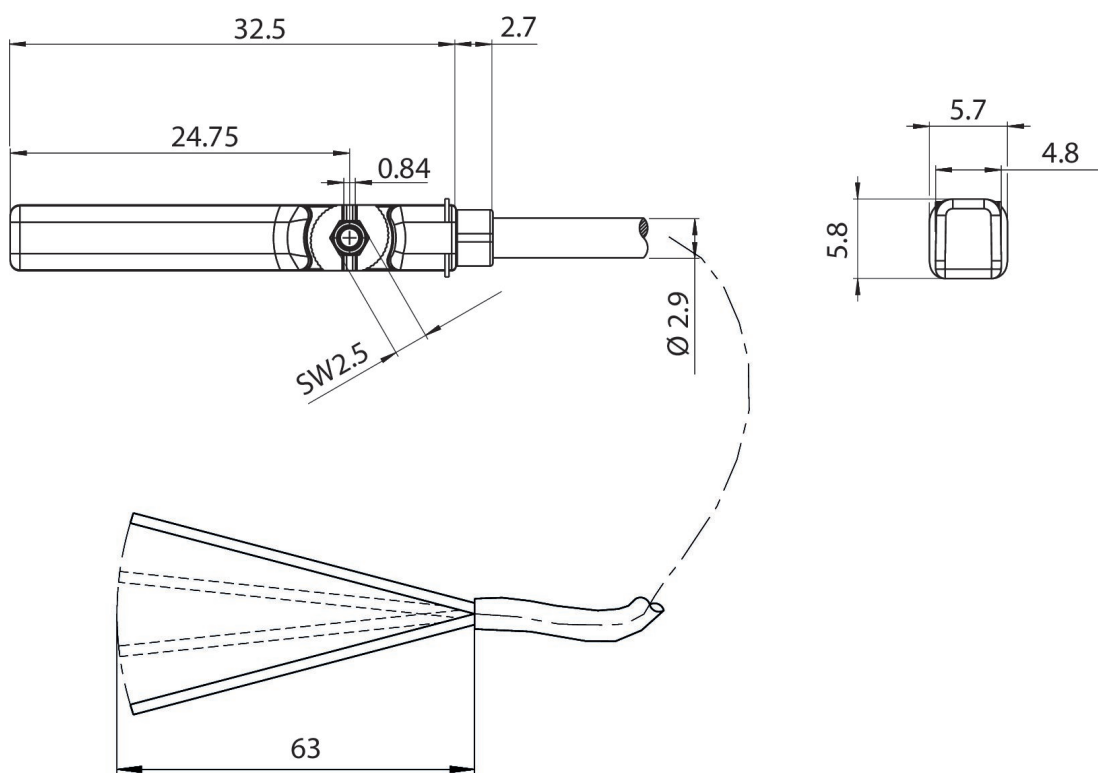
**Sensor, Série ST6-SM**

extremidades de cabos abertas



Comprimento do cabo L [m]	comprimento total Sensor [mm]	Modelo	N° de material
2	35	resistente a curto-circuito, Protegido contra inversão de polaridade	R412028895

Dimensões



(1) BN=marrom (2) WH=branco (3) BU=Azul (4) BK=preto

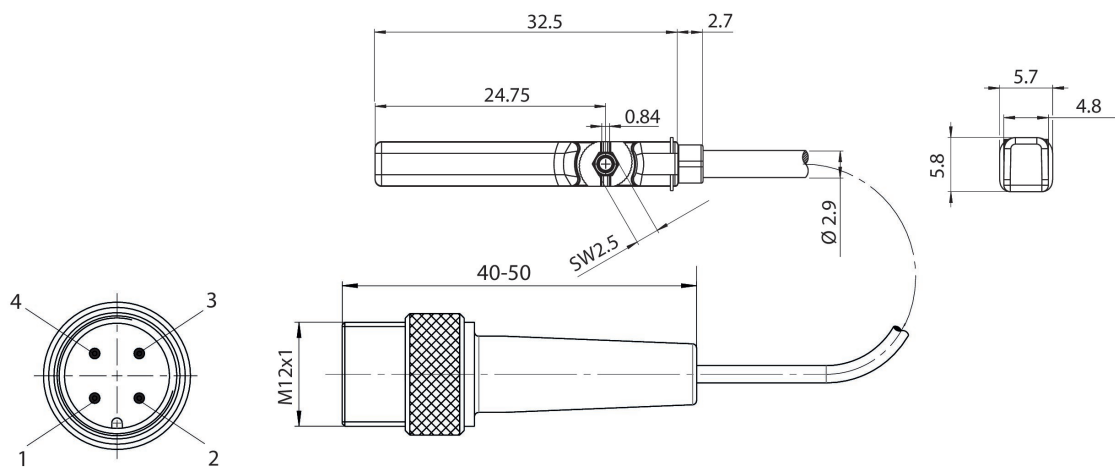
**Sensor, Série ST6-SM**

Conector  
M12x1



Comprimento do cabo L [m]	comprimento total Sensor [mm]	Modelo	N° de material
0.3	35	resistente a curto-circuito, Protegido contra inversão de polaridade	R412028896

**Dimensões**



(1) BN=marrom (2) WH=branco (3) BU=Azul (4) BK=preto

# Efficient pneumatic solutions, our program: cylinders and drives, valves and valve systems, air supply management



Visit us: [Emerson.com/Aventics](https://www.emerson.com/aventics)

Your local contact: [Emerson.com/contactus](https://www.emerson.com/contactus)



[Emerson.com](https://www.emerson.com)



[Facebook.com/EmersonAutomationSolutions](https://www.facebook.com/EmersonAutomationSolutions)



[LinkedIn.com/company/Emerson-Automation-Solutions](https://www.linkedin.com/company/Emerson-Automation-Solutions)



[Twitter.com/EMR\\_Automation](https://twitter.com/EMR_Automation)

An example configuration is depicted on the title page. The delivered product may thus vary from that in the illustration. Subject to change. This Document, as well as the data, specifications and other information set forth in it, are the exclusive property of AVENTICS GmbH. It may not be reproduced or given to third parties without its consent. Only use the AVENTICS products shown in industrial applications. Read the product documentation completely and carefully before using the product. Observe the applicable regulations and laws of the respective country. When integrating the product into applications, note the system manufacturer's specifications for safe use of the product. The data specified only serve to describe the product. No statements concerning a certain condition or suitability for a certain application can be derived from our information. The information given does not release the user from the obligation of own judgment and verification. It must be remembered that the products are subject to a natural process of wear and aging.

The Emerson logo is a trademark and service mark of Emerson Electric Co. Brand logotype are registered trademarks of one of the Emerson family of companies. All other marks are the property of their respective owners. © 2019 Emerson Electric Co. All rights reserved.



**CONSIDER IT SOLVED™**