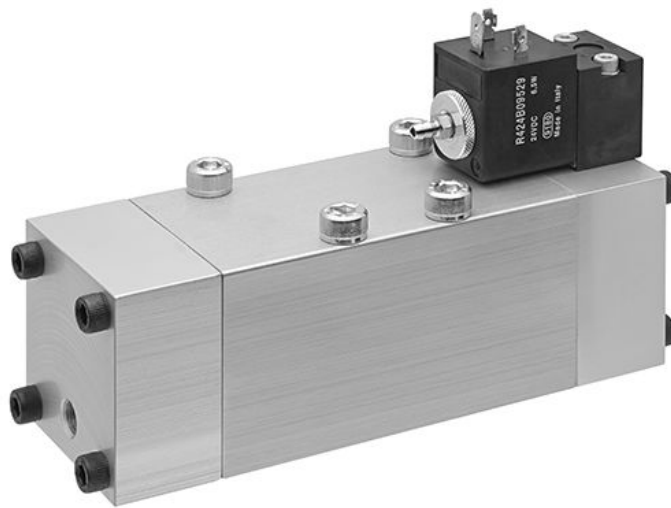


HV30



AVENTICS™

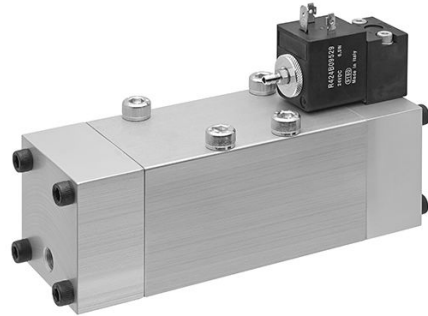
**AVENTICS Series HV30
Directional valves**


EMERSON™

AVENTICS Series HV30 Directional valves

The AVENTICS Series HV30 complies with the valve standard ISO 5599-1. Due to the level of flow and robustness, especially on high ambient temperatures, HV30 is the perfect valve for Aluminium applications.

- Qn max. 4300 l/min
- Electr. control: form A
- Width 71 mm
- Ambient temperature 10 °C to 120 °C

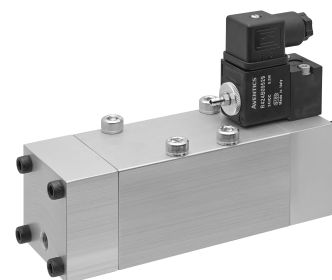


Product overview

| | Page |
|---|------|
| Electrically operated | |
| 5/2-directional valve, Series HV30..... | 4 |
| Soft seal | |
| Accessory HV30 | |
| Base plate..... | 6 |
| Base plate..... | 7 |
| Pilot valve, Series HV30..... | 8 |
| Single subbase, thread connections on the bottom..... | 10 |
| Single subbase, thread connections on the side..... | 11 |

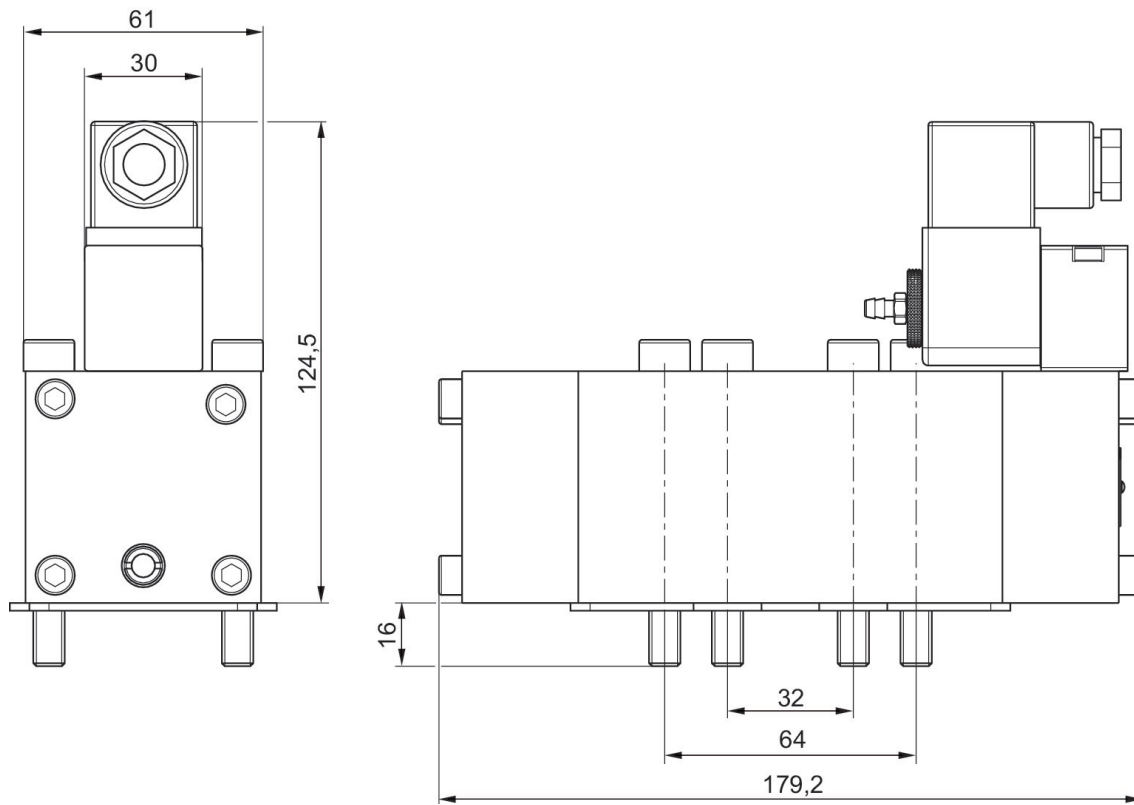
5/2-directional valve, Series HV30

Flow: 4300 l/min
 Activation: Electrically
 Coil width: 30 mm
 Pilot valve width: 30x22 mm CNOMO
 Duty cycle: 100 %
 Type: Poppet valve
 Ambient temperature min./max.: 10 °C ... 120 °C
 Medium temperature min./max.: 10 °C ... 120 °C
 Control pressure min./max.: 3.5 bar ... 9 bar
 Working pressure min./max.: 3.5 bar ... 9 bar



| | Switching principle | Operational voltage | Pilot | Power consumption DC [W] | Voltage tolerance DC | Manual override | Nominal flow Qn 1 to 2 [l/min] | Part No. |
|--|-------------------------|---------------------|----------|--------------------------|----------------------|-----------------|--------------------------------|------------|
| | 5/2, with spring return | 24 V DC | Internal | 6.7 | -10 % / +10 % | without | 4300 | R424B11120 |
| | 5/2, with spring return | 110 V AC | Internal | | | without | 4300 | R424B11927 |
| | 5/2, with spring return | 230 V AC | Internal | | | without | 4300 | R424B11848 |
| | 5/2, with spring return | 24 V DC | Internal | 6.7 | -10 % / +10 % | without detent | 4300 | R424B12986 |
| | 5/2, with spring return | 110 V AC | Internal | | | without detent | 4300 | R424B12987 |

Dimensions in mm



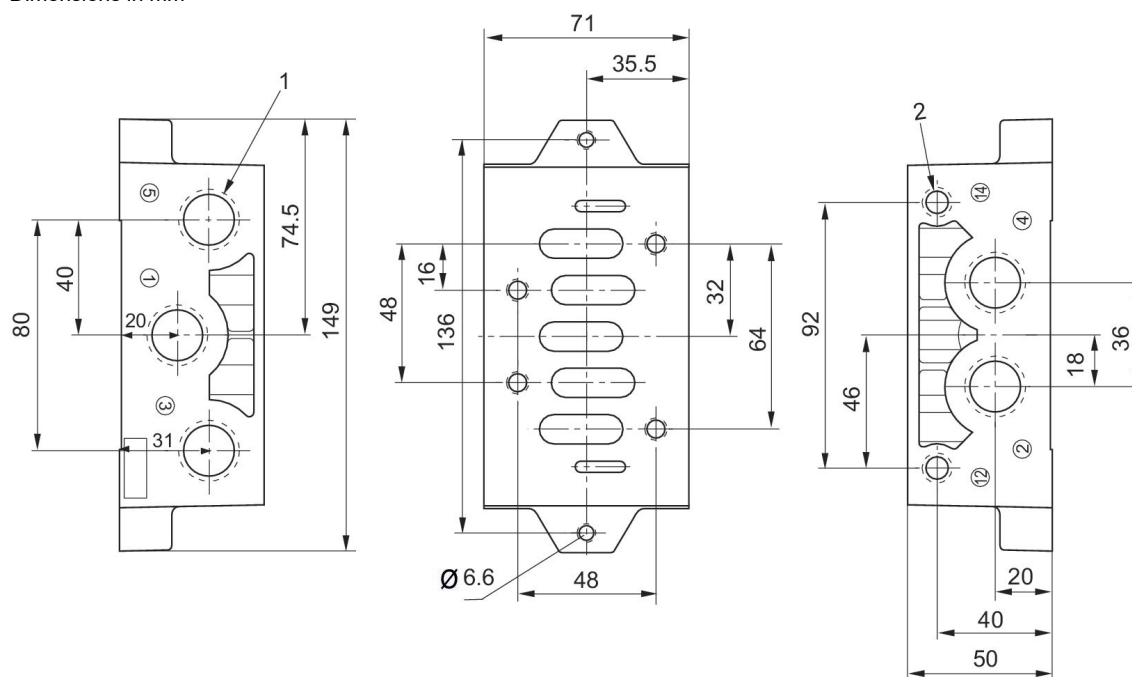
Base plate

Ambient temperature min./max.: 10 °C ... 200 °C
 Medium temperature min./max.: 10 °C ... 120 °C
 Working pressure min./max.: 3.5 bar ... 10 bar



| Frame size | Min. ambient temperature [°C] | Max. ambient temperature [°C] | Compressed air connection input | Compressed air connection output | Compressed air connection, exhaust | Part No. |
|------------|-------------------------------|-------------------------------|---------------------------------|----------------------------------|------------------------------------|------------|
| ISO 3 | 10 | 200 | G 3/4 | G 3/4 | G 3/4 | R432009166 |
| ISO 3 | 10 | 200 | 1/2-14 NPTF | 1/2-14 NPTF | 1/2-14 NPTF | R432015308 |
| ISO 3 | 10 | 200 | 3/4-14 PTF | 3/4-14 PTF | 3/4-14 PTF | R432015309 |

Dimensions in mm



- 1) Connections [1 ,3 ,5, 2, 4]
- 2) Connections [12, 14] G 1/8

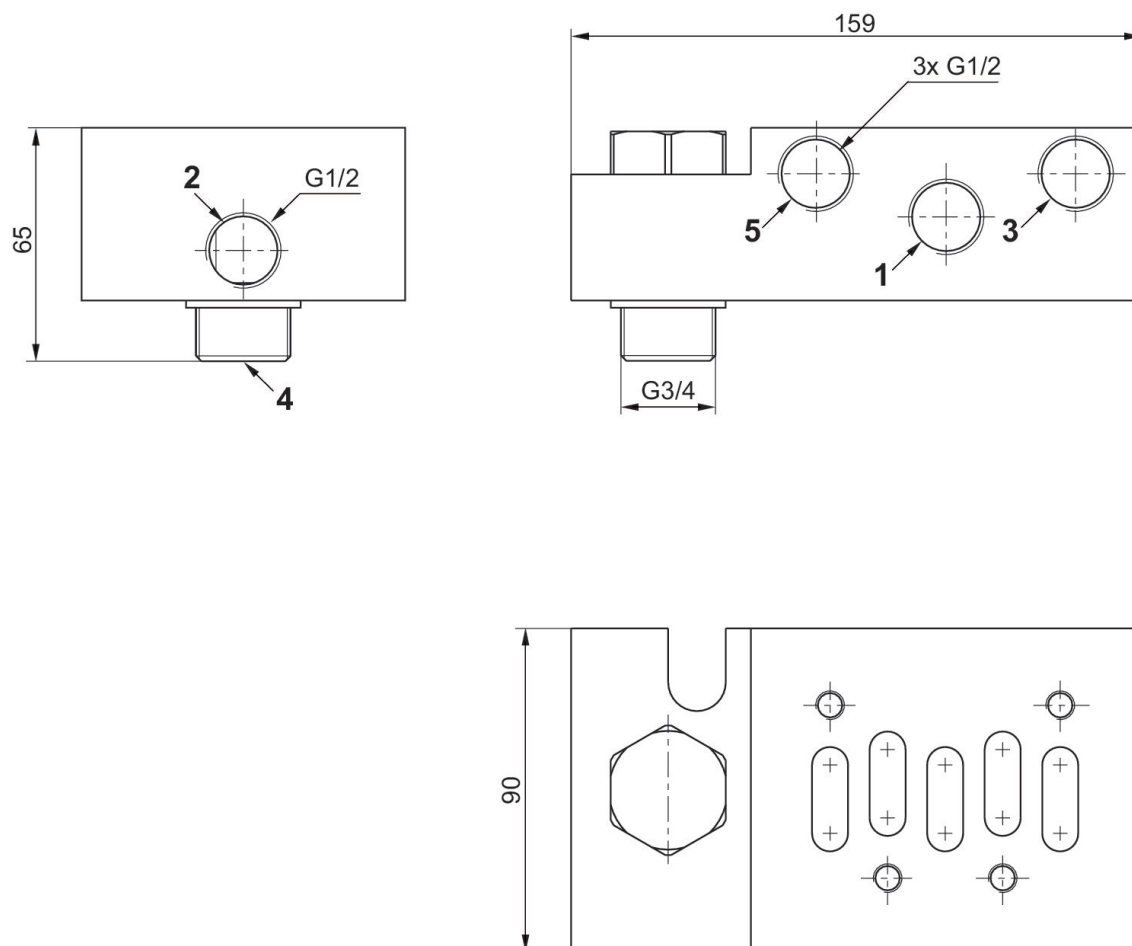
Base plate

Ambient temperature min./max.: 10 °C ... 200 °C
 Medium temperature min./max.: 10 °C ... 120 °C
 Working pressure min./max.: 3.5 bar ... 10 bar



| Frame size | Min. ambient temperature [°C] | Max. ambient temperature [°C] | Compressed air connection input | Compressed air connection output | Compressed air connection, exhaust | Part No. |
|------------|-------------------------------|-------------------------------|---------------------------------|----------------------------------|------------------------------------|------------|
| ISO 3 | 10 | 200 | G 1/2 | G 1/2 | G 1/2 | R424B12368 |

Dimensions in mm



Pilot valve, Series HV30

Activation: Electrically

Duty cycle: 100 %

Ambient temperature min./max.: 10 °C ... 120 °C

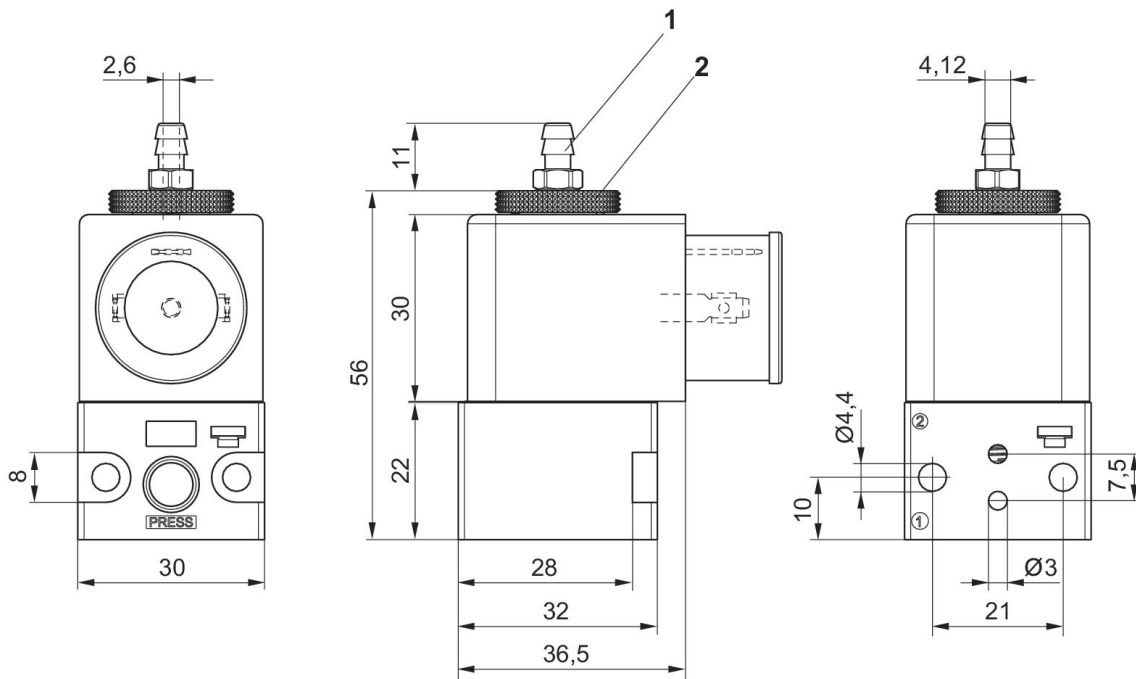
Medium temperature min./max.: 10 °C ... 120 °C

Working pressure min./max.: 2 bar ... 10 bar



| Operational voltage | Power consumption DC [W] | Voltage tolerance DC | Part No. |
|---------------------|--------------------------|----------------------|------------|
| 24 V DC | 2.4 | -10 % / +10 % | R424B12522 |
| 24 V DC | 6.5 | | R424B13057 |
| 110 V AC | | | R424B12523 |
| 110 V AC | | | R424B13058 |
| 230 V AC | 6 | | R424B12524 |

Dimensions in mm



1) Tightening torque: 0.8 Nm \pm 0.01

2) Tightening torque: 0.4 Nm \pm 0.01

Scope of delivery: Pressure connection, fluoropolymer tubing \varnothing 6x1

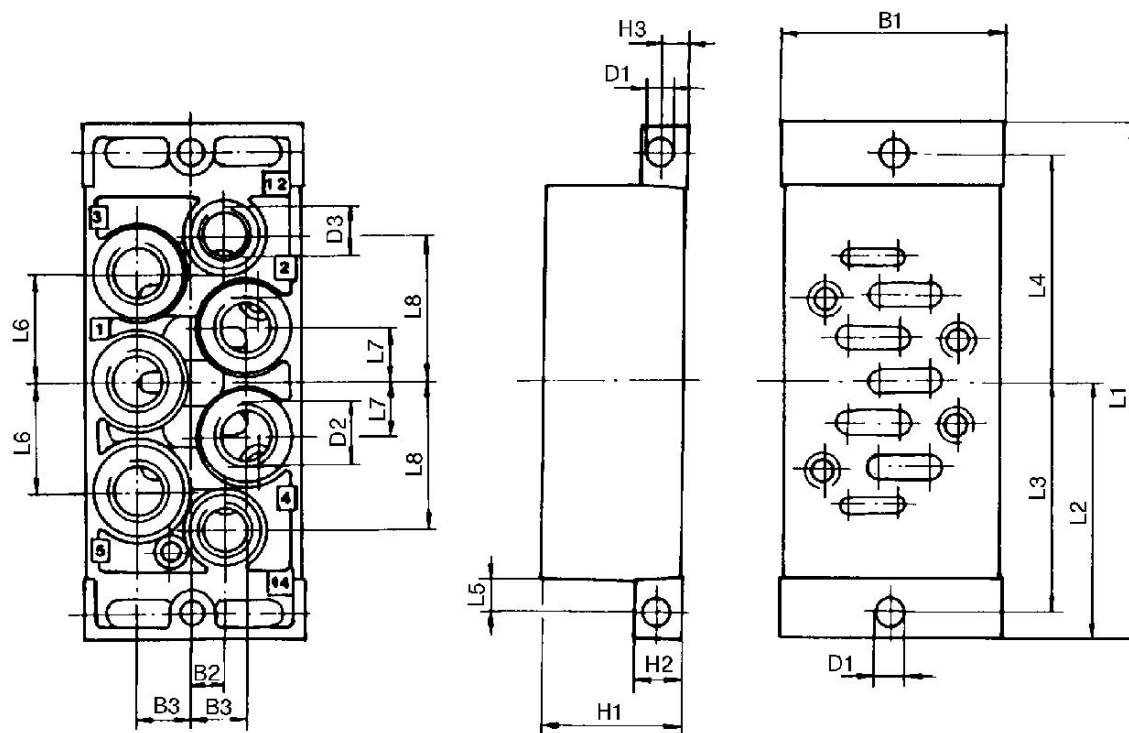
Single subbase, thread connections on the bottom

Ambient temperature min./max.: -25 °C ... 70 °C
Medium temperature min./max.: -25 °C ... 70 °C
Working pressure min./max.: -0.95 bar ... 16 bar



| Frame size | Min. ambient temperature [°C] | Max. ambient temperature [°C] | Compressed air connection input | Compressed air connection output | Compressed air connection, exhaust | Compressed air connection pilot air | Max. number of valve positions | Part No. |
|------------|-------------------------------|-------------------------------|---------------------------------|----------------------------------|------------------------------------|-------------------------------------|--------------------------------|------------|
| ISO 3 | -25 | 70 | G 1/2 | G 1/2 | G 1/2 | G 1/8 | 1 | 1825503203 |

Dimensions



| Part No. | | B1 | B2 | B3 | D1 | D2 *) | D3 *) | H1 | H2 |
|------------|-------|----|----|------|-----|-------|-------|----|----|
| 1825503201 | ISO 1 | 46 | 7 | 11.5 | 5.5 | G 1/4 | G 1/8 | 30 | 10 |
| 1825503202 | ISO 2 | 56 | 8 | 13.5 | 6.6 | G 3/8 | G 1/8 | 35 | 13 |
| 1825503203 | ISO 3 | 77 | 10 | 17 | 6.6 | G 1/2 | G 1/8 | 32 | 18 |

| Part No. | H3 | L1 | L2 | L3 | L4 | L5 | L6 | L7 | L8 |
|------------|-----|-----|------|----|----|-----|----|------|------|
| 1825503201 | 5 | 110 | 55 | 49 | 49 | 7 | 23 | 11.5 | 31 |
| 1825503202 | 6.5 | 124 | 62 | 56 | 56 | 8.5 | 28 | 14 | 36.5 |
| 1825503203 | 9 | 149 | 74.5 | 68 | 68 | 8.5 | 34 | 17 | 45 |

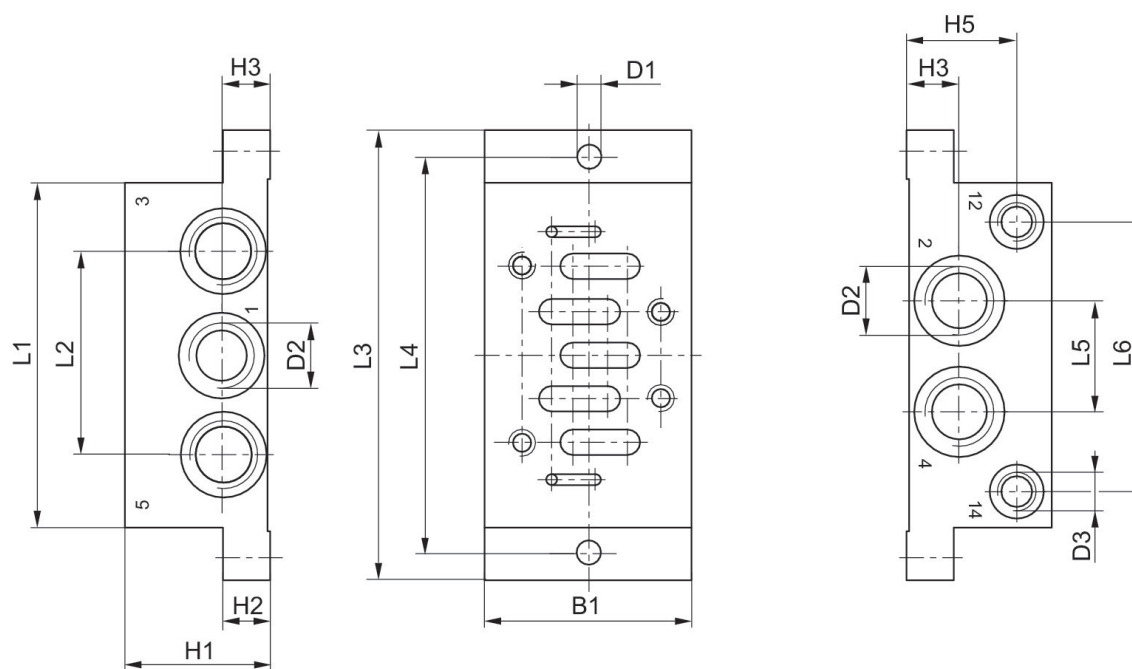
*) Ports

Single subbase, thread connections on the side

Ambient temperature min./max.: -25 °C ... 70 °C
 Medium temperature min./max.: -25 °C ... 70 °C
 Working pressure min./max.: -0.95 bar ... 16 bar



| Frame size | Min. ambient temperature [°C] | Max. ambient temperature [°C] | Compressed air connection input | Compressed air connection output | Compressed air connection, exhaust | Compressed air connection pilot air | Max. number of valve positions | Part No. |
|------------|-------------------------------|-------------------------------|---------------------------------|----------------------------------|------------------------------------|-------------------------------------|--------------------------------|------------|
| ISO 3 | -25 | 70 | G 1/2 | G 1/2 | G 1/2 | G 1/8 | 1 | 1825503149 |



| Part No. | ISO 3 | B1 | H1 | H2 | H3 | H5 | D1 | D2 *) | D3 *) |
|------------|-------|----|----|----|----|----|-----|-------|-------|
| 1825503149 | ISO 3 | 71 | 32 | 18 | 17 | 22 | 6.6 | G 1/2 | G 1/8 |





| Part No. | L1 | L2 | L3 | L4 | L5 | L6 |
|------------|-----|----|-----|-----|----|----|
| 1825503149 | 119 | 68 | 149 | 136 | 32 | 90 |

*) Ports

Efficient pneumatic solutions, our program:
cylinders and drives, valves and valve systems,
air supply management, proportional pressure
control valves



Visit us: www.Emerson.com/aventics
Your local contact: Emerson.com/contactus

-  Emerson.com
-  Facebook.com/EmersonAutomationSolutions
-  LinkedIn.com/company/Emerson-Automation-Solutions
-  Twitter.com/EMR_Automation



The Emerson logo is a trademark and service mark of Emerson Electric Co. AVENTICS is a registered trademark of one of the Emerson family of companies. All other trademarks are the property of their respective owners. © 2020 Emerson Electric Co. All rights reserved.



CONSIDER IT SOLVED™