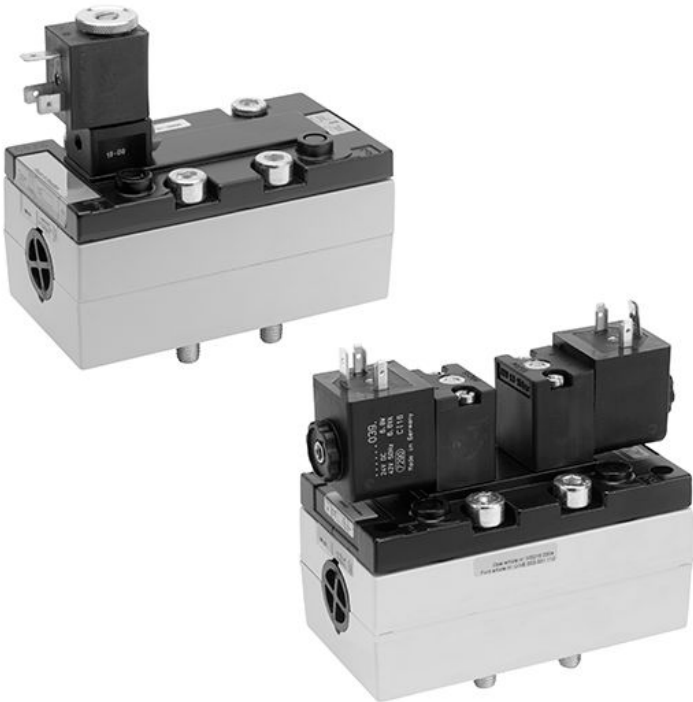
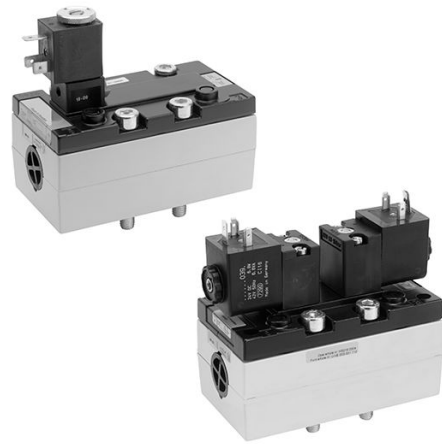


Series 581, size 3



The AVENTICS series 581 complies with the ISO 5599-1 valve standard. Due to the high degree of modularity, the series offers all valve functions, integrated throttle valves, various pilot coils and an extensive range of accessories.

- Standardized valve system
- Robust design
- Numerous voltage ranges
- Pressure range up to 16 bar possible
- CNOMO interface
- Small dimensions
- Fast shifting times
- Easy and flexible custom specific configurations via online configurator



5/2-directional valve, Series 581, size 3

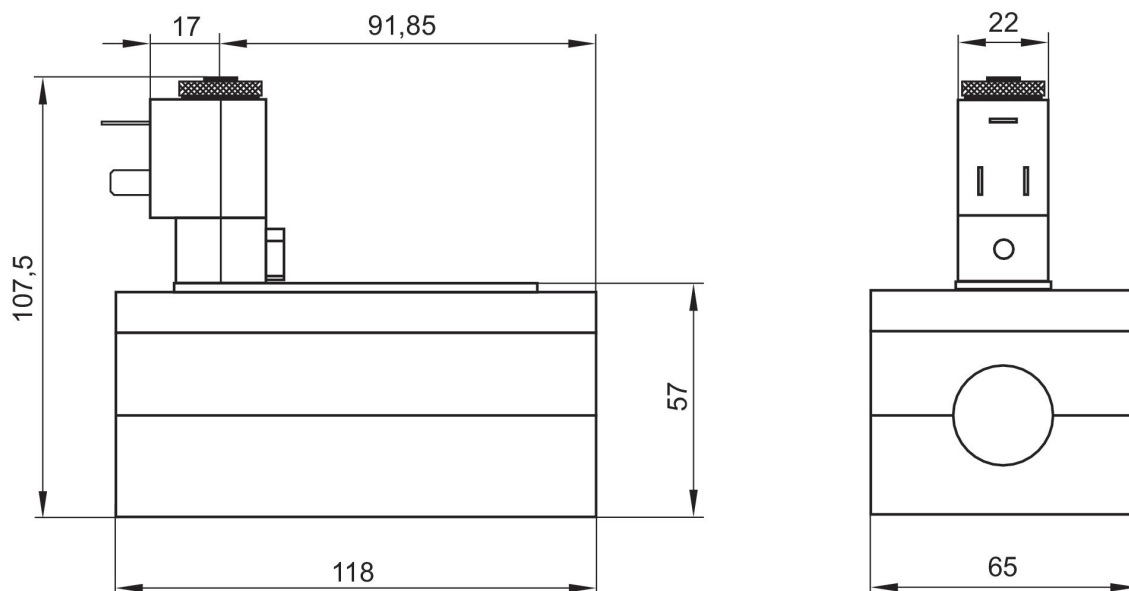
4800 l/min
Single Solenoid
ISO 5599-1
Plug
Form B, industry
Base plate connection
Internal thread
Electrically
Base plate ISO 5599-1
Base plate ISO 5599-1



Min. working pressure [bar]	Max. working pressure [bar]	Operational voltage	Operational voltage	Operational voltage	Voltage tolerance DC	Power consumption DC [W]	Pilot	Throttle	Manual override	Part No.
3	10	12 V			-10% / +10%	5	Internal		with detent	5813110500
3	10		24 V				Internal		with detent	5813110200
3	10	24 V			-10% / +10%	5	Internal		with detent	5813110100
3	10	48 V			-10% / +10%	5	Internal		with detent	5813110600
3	10			110 V			Internal		with detent	5813110300
3	10		230 V				Internal		with detent	5813110400
3	10						Internal		with detent	5813110000
3	10	12 V			-10% / +10%	5	Internal	with throttle	with detent	5813111500
3	10		24 V				Internal	with throttle	with detent	5813111200
3	10	24 V			-10% / +10%	5	Internal	with throttle	with detent	5813111100
3	10	48 V			-10% / +10%	5	Internal	with throttle	with detent	5813111600
3	10			110 V			Internal	with throttle	with detent	5813111300
3	10		230 V				Internal	with throttle	with detent	5813111400
3	10						Internal	with throttle	with detent	5813111000
-0.95	10	12 V			-10% / +10%	5	External		with detent	5813112500
-0.95	10		24 V				External		with detent	5813112200
-0.95	10	24 V			-10% / +10%	5	External		with detent	5813112100
-0.95	10	48 V			-10% / +10%	5	External		with detent	5813112600
-0.95	10			110 V			External		with detent	5813112300
-0.95	10		230 V				External		with detent	5813112400
-0.95	10						External		with detent	5813112000

Min. working pressure [bar]	Max. working pressure [bar]	Operational voltage	Operational voltage	Operational voltage	Voltage tolerance DC	Power consumption DC [W]	Pilot	Throttle	Manual override	Part No.
-0.95	10	12 V			-10% / +10%	5	External	with throttle	with detent	5813113500
-0.95	10		24 V				External	with throttle	with detent	5813113200
-0.95	10	24 V			-10% / +10%	5	External	with throttle	with detent	5813113100
-0.95	10	48 V			-10% / +10%	5	External	with throttle	with detent	5813113600
-0.95	10			110 V			External	with throttle	with detent	5813113300
-0.95	10		230 V				External	with throttle	with detent	5813113400
-0.95	10						External	with throttle	with detent	5813113000

Dimensions



The pilot valves can be loosened and turned through 180°.

5/2-directional valve, Series 581, size 3

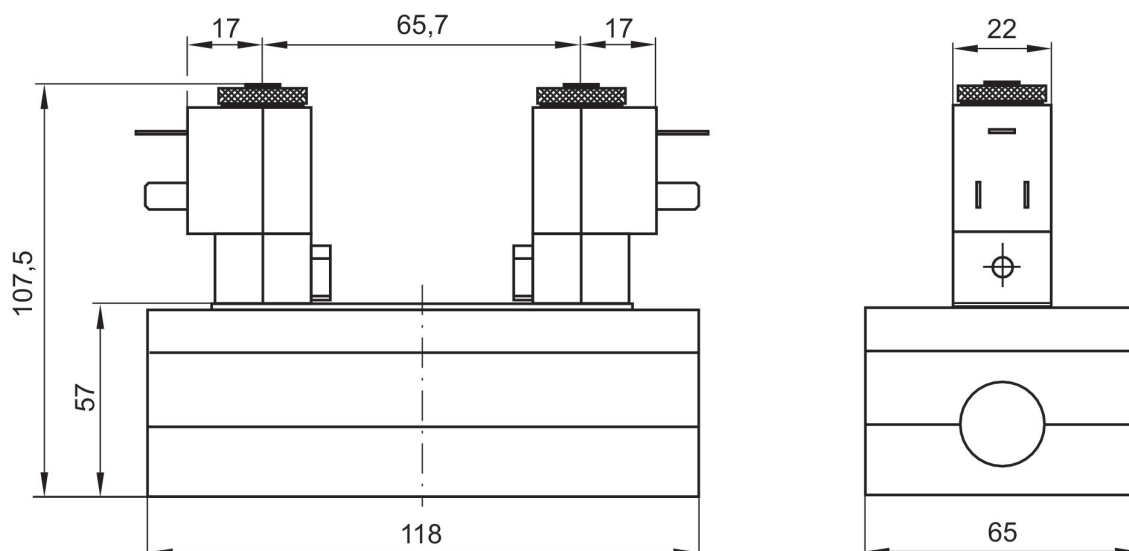
4800 l/min
Double Solenoid
ISO 5599-1
Plug
Form B, industry
Base plate connection
Internal thread
Electrically
Base plate ISO 5599-1
Base plate ISO 5599-1



Min. working pressure [bar]	Max. working pressure [bar]	Operational voltage	Operational voltage	Operational voltage	Voltage tolerance DC	Power consumption DC [W]	Pilot	Throttle	Manual override	Part No.
1.5	10	12 V			-10% / +10%	5	Internal		with detent	5813220500
1.5	10		24 V				Internal		with detent	5813220200
1.5	10	24 V			-10% / +10%	5	Internal		with detent	5813220100
1.5	10	48 V			-10% / +10%	5	Internal		with detent	5813220600
1.5	10			110 V			Internal		with detent	5813220300
1.5	10		230 V				Internal		with detent	5813220400
1.5	10						Internal		with detent	5813220000
1.5	10	12 V			-10% / +10%	5	Internal	with throttle	with detent	5813221500
1.5	10		24 V				Internal	with throttle	with detent	5813221200
1.5	10	24 V			-10% / +10%	5	Internal	with throttle	with detent	5813221100
1.5	10	48 V			-10% / +10%	5	Internal	with throttle	with detent	5813221600
1.5	10			110 V			Internal	with throttle	with detent	5813221300
1.5	10		230 V				Internal	with throttle	with detent	5813221400
1.5	10						Internal	with throttle	with detent	5813221000
-0.95	10	12 V			-10% / +10%	5	External		with detent	5813222500
-0.95	10		24 V				External		with detent	5813222200
-0.95	10	24 V			-10% / +10%	5	External		with detent	5813222100
-0.95	10	48 V			-10% / +10%	5	External		with detent	5813222600
-0.95	10			110 V			External		with detent	5813222300
-0.95	10		230 V				External		with detent	5813222400
-0.95	10						External		with detent	5813222000

Min. working pressure [bar]	Max. working pressure [bar]	Operational voltage	Operational voltage	Operational voltage	Voltage tolerance DC	Power consumption DC [W]	Pilot	Throttle	Manual override	Part No.
-0.95	10	12 V			-10% / +10%	5	External	with throttle	with detent	5813223500
-0.95	10		24 V				External	with throttle	with detent	5813223200
-0.95	10	24 V			-10% / +10%	5	External	with throttle	with detent	5813223100
-0.95	10	48 V			-10% / +10%	5	External	with throttle	with detent	5813223600
-0.95	10			110 V			External	with throttle	with detent	5813223300
-0.95	10		230 V				External	with throttle	with detent	5813223400
-0.95	10						External	with throttle	with detent	5813223000

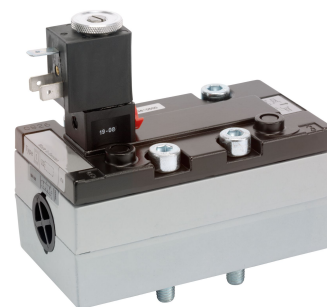
Dimensions



The pilot valves can be loosened and turned through 180°.

5/2-directional valve, Series 581, size 3

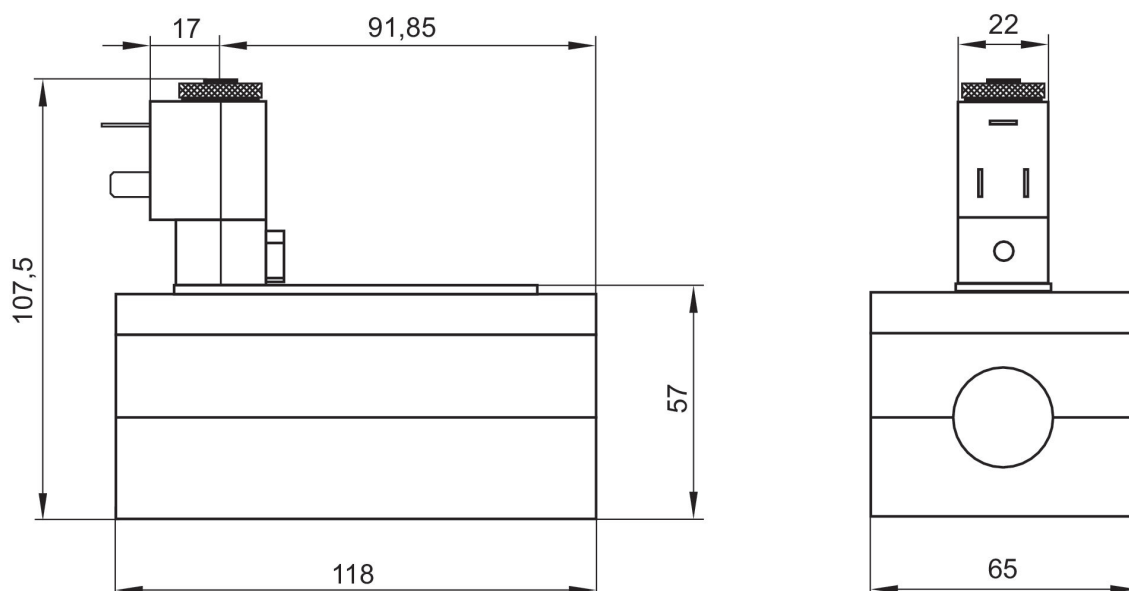
4800 l/min
ISO 5599-1
Plug
Form B, industry
Base plate connection
Internal thread
Electrically
Base plate ISO 5599-1
Base plate ISO 5599-1



Min. working pressure [bar]	Max. working pressure [bar]	Operational voltage	Operational voltage	Operational voltage	Voltage tolerance DC	Power consumption DC [W]	Pilot	Throttle	Manual override	Part No.
1.5	10	12 V			-10% / +10%	5	Internal		with detent	5813610500
1.5	10		24 V				Internal		with detent	5813610200
1.5	10	24 V			-10% / +10%	5	Internal		with detent	5813610100
1.5	10	48 V			-10% / +10%	5	Internal		with detent	5813610600
1.5	10			110 V			Internal		with detent	5813610300
1.5	10		230 V				Internal		with detent	5813610400
1.5	10						Internal		with detent	5813610000
1.5	10	12 V			-10% / +10%	5	Internal	with throttle	with detent	5813611500
1.5	10		24 V				Internal	with throttle	with detent	5813611200
1.5	10	24 V			-10% / +10%	5	Internal	with throttle	with detent	5813611100
1.5	10	48 V			-10% / +10%	5	Internal	with throttle	with detent	5813611600
1.5	10			110 V			Internal	with throttle	with detent	5813611300
1.5	10		230 V				Internal	with throttle	with detent	5813611400
1.5	10						Internal	with throttle	with detent	5813611000
-0.95	10	12 V			-10% / +10%	5	External		with detent	5813612500
-0.95	10		24 V				External		with detent	5813612200
-0.95	10	24 V			-10% / +10%	5	External		with detent	5813612100
-0.95	10	48 V			-10% / +10%	5	External		with detent	5813612600
-0.95	10			110 V			External		with detent	5813612300
-0.95	10		230 V				External		with detent	5813612400
-0.95	10						External		with detent	5813612000

Min. working pressure [bar]	Max. working pressure [bar]	Operational voltage	Operational voltage	Operational voltage	Voltage tolerance DC	Power consumption DC [W]	Pilot	Throttle	Manual override	Part No.
-0.95	10	12 V			-10% / +10%	5	External	with throttle	with detent	5813613500
-0.95	10		24 V				External	with throttle	with detent	5813613200
-0.95	10	24 V			-10% / +10%	5	External	with throttle	with detent	5813613100
-0.95	10			110 V			External	with throttle	with detent	5813613300
-0.95	10		230 V				External	with throttle	with detent	5813613400
-0.95	10						External	with throttle	with detent	5813613000

Dimensions



The pilot valves can be loosened and turned through 180°.

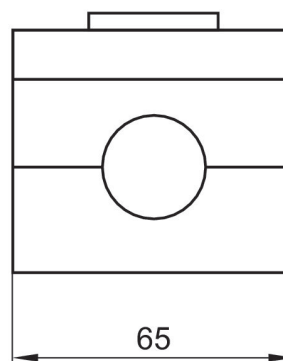
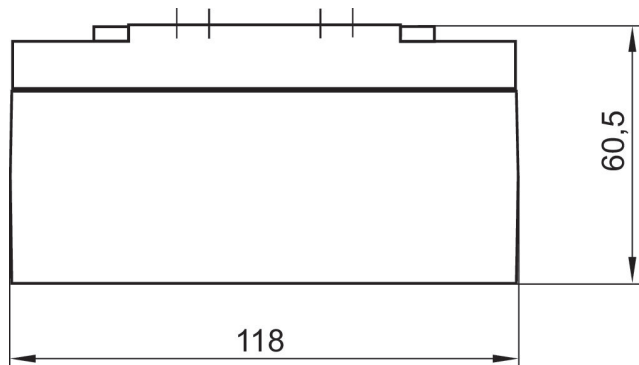
5/2-directional valve, Series 581, size 3

4800 l/min
 ISO 5599-1
 Base plate connection
 Internal thread
 Electrically
 Basic valve without pilot valve
 Base plate ISO 5599-1
 Base plate ISO 5599-1



Min. working pressure [bar]	Max. working pressure [bar]	Pilot	Part No.
-0.95	16	External, Internal	5813680100

Dimensions



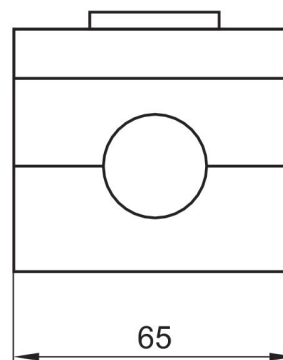
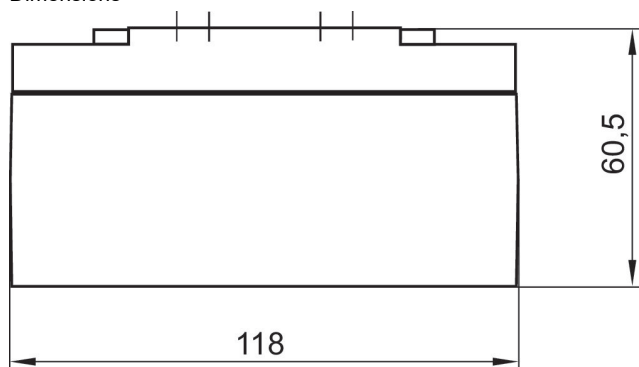
5/2-directional valve, Series 581, size 3

4800 l/min
ISO 5599-1
Base plate connection
Internal thread
Electrically
Basic valve without pilot valve
Base plate ISO 5599-1
Base plate ISO 5599-1



Min. working pressure [bar]	Max. working pressure [bar]	Pilot	Throttle	Part No.
-0.95	16	External, Internal		5813680000
-0.95	16	External, Internal	with throttle	5813681000

Dimensions



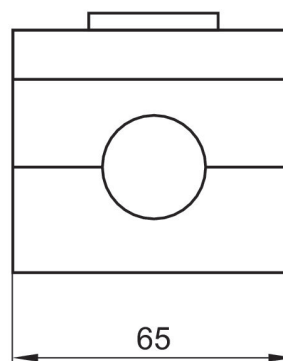
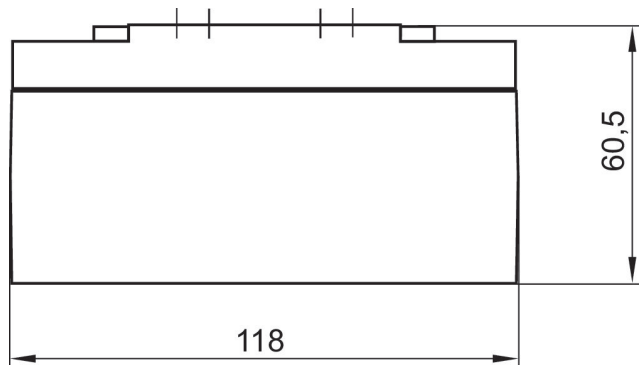
5/2-directional valve, Series 581, size 3

4800 l/min
Single Solenoid
ISO 5599-1
Base plate connection
Electrically
Basic valve without pilot valve
Base plate ISO 5599-1
Base plate ISO 5599-1



Min. working pressure [bar]	Max. working pressure [bar]	Pilot	Part No.
-0.95	16	External, Internal	5813180100

Dimensions



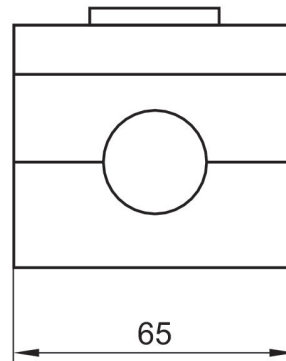
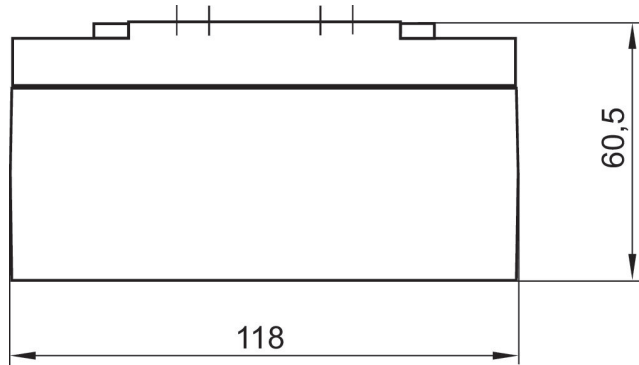
5/2-directional valve, Series 581, size 3

4800 l/min
Single Solenoid
ISO 5599-1
Base plate connection
Electrically
Basic valve without pilot valve
Base plate ISO 5599-1
Base plate ISO 5599-1



Min. working pressure [bar]	Max. working pressure [bar]	Pilot	Throttle	Part No.
-0.95	16	External, Internal		5813180000
-0.95	16	External, Internal	with throttle	5813181000

Dimensions



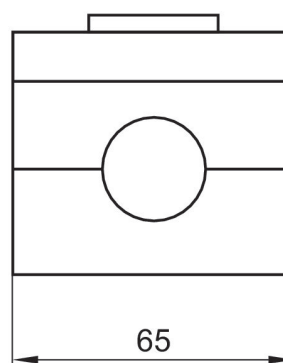
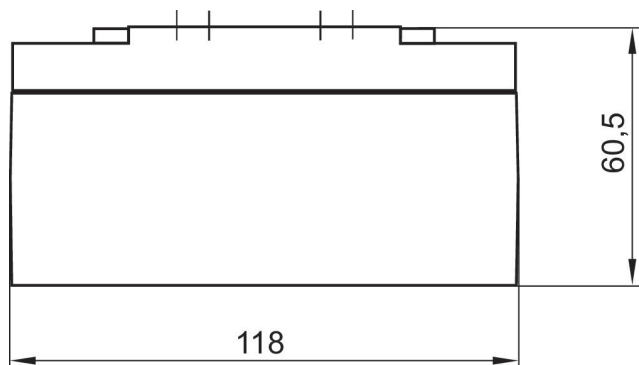
5/2-directional valve, Series 581, size 3

4800 l/min
 Double Solenoid
 ISO 5599-1
 Base plate connection
 Electrically
 Basic valve without pilot valve
 Base plate ISO 5599-1
 Base plate ISO 5599-1



Min. working pressure [bar]	Max. working pressure [bar]	Pilot	Part No.
-0.95	16	External, Internal	5813280100

Dimensions



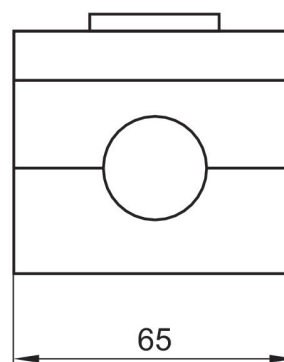
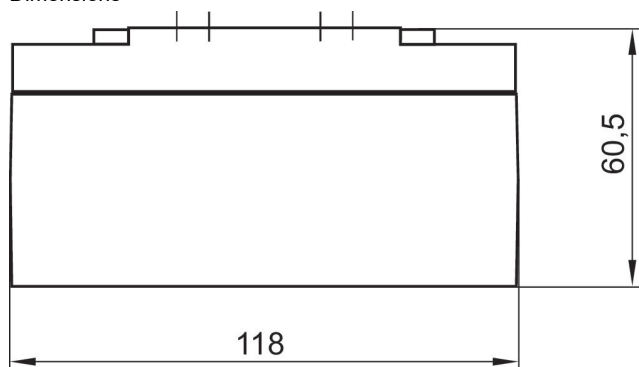
5/2-directional valve, Series 581, size 3

4800 l/min
Double Solenoid
ISO 5599-1
Base plate connection
Electrically
Basic valve without pilot valve
Base plate ISO 5599-1
Base plate ISO 5599-1



Min. working pressure [bar]	Max. working pressure [bar]	Pilot	Throttle	Part No.
-0.95	16	External, Internal		5813280000
-0.95	16	External, Internal	with throttle	5813281000

Dimensions



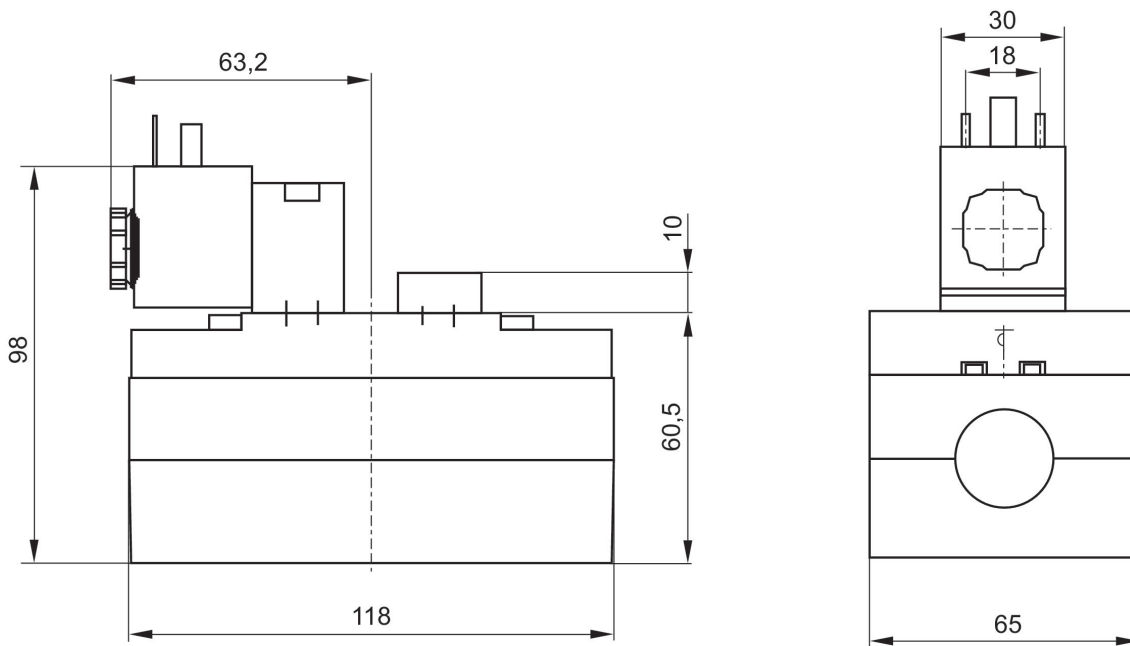
5/2-directional valve, Series 581, size 3

4800 l/min
ISO 5599-1
Plug
EN 175301-803, form A
Base plate connection
Internal thread
Electrically
Base plate ISO 5599-1
Base plate ISO 5599-1



Min. working pressure [bar]	Max. working pressure [bar]	Operational voltage	Operational voltage	Voltage tolerance DC	Power consumption DC [W]	Pilot	Throttle	Manual override	Compatibility index	Part No.
1.5	10	24 V		-10% / +10%	2	Internal		with detent, without detent	14	5813670650
1.5	10		230 V			Internal		with detent, without detent	14	5813670450
1.5	10	24 V		-10% / +10%	2	Internal	with throttle	with detent, without detent	14	5813671650
1.5	10		230 V			Internal	with throttle	with detent, without detent	14	5813671450
-0.95	10	24 V		-10% / +10%	2	External		with detent, without detent	14	5813672650
-0.95	10		230 V			External		with detent, without detent	14	5813672450
-0.95	10	24 V		-10% / +10%	2	External	with throttle	with detent, without detent	14	5813673650
-0.95	10		230 V			External	with throttle	with detent, without detent	14	5813673450

Dimensions



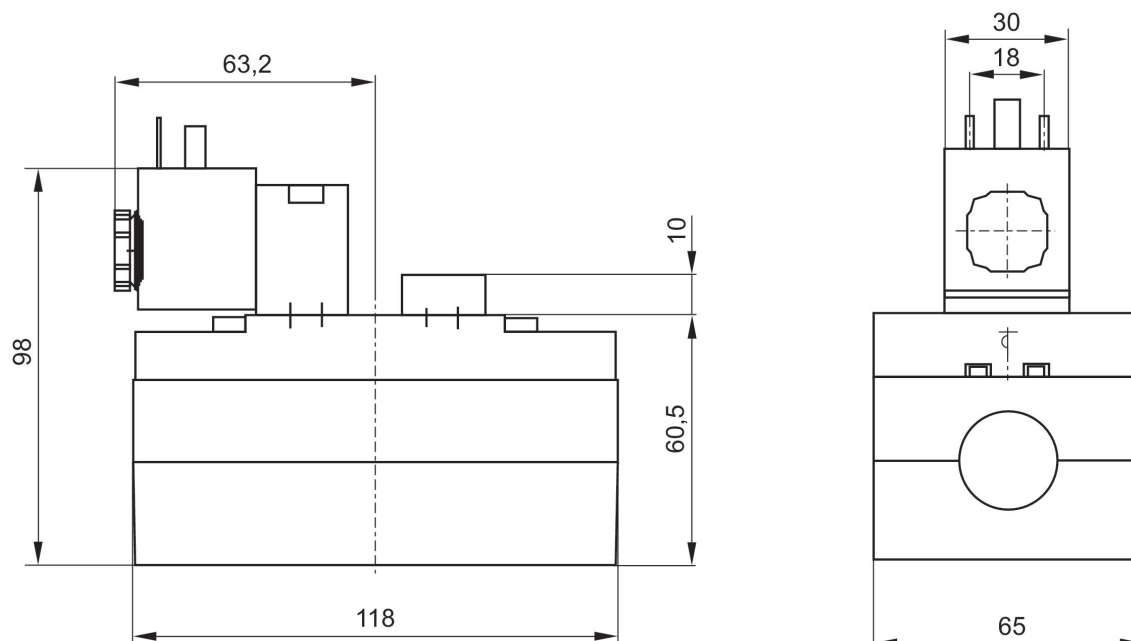
5/2-directional valve, Series 581, size 3

4800 l/min
ISO 5599-1
Plug
EN 175301-803, form A
Base plate connection
Internal thread
Electrically
Base plate ISO 5599-1
Base plate ISO 5599-1



Min. working pressure [bar]	Max. working pressure [bar]	Operational voltage	Operational voltage	Voltage tolerance DC	Power consumption DC [W]	Pilot	Throttle	Manual override	Part No.
1.5	16	24 V		-10% / +10%	6.7	Internal		without	5813670530
1.5	16		230 V			Internal		without	5813670430
1.5	16	24 V		-10% / +10%	6.7	Internal	with throttle	without	5813671530
1.5	16		230 V			Internal	with throttle	without	5813671430
-0.95	16	24 V		-10% / +10%	6.7	External		without	5813672530
-0.95	16		230 V			External		without	5813672430
-0.95	16	24 V		-10% / +10%	6.7	External	with throttle	without	5813673530
-0.95	16		230 V			External	with throttle	without	5813673430

Dimensions



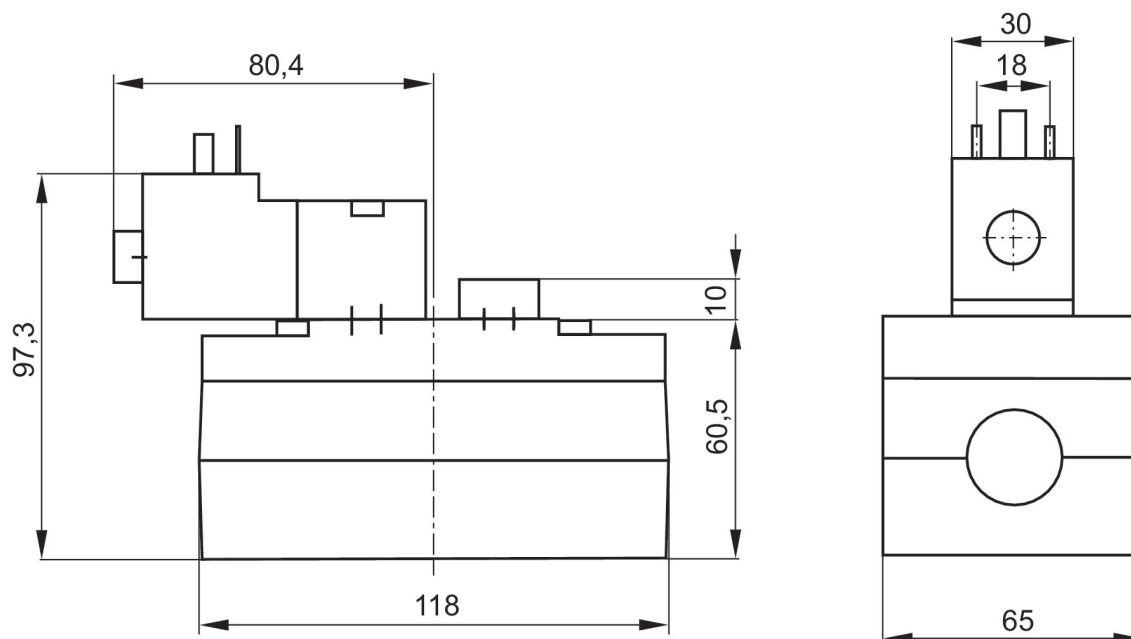
5/2-directional valve, Series 581, size 3

4800 l/min
ISO 5599-1
Plug
EN 175301-803, form A
Base plate connection
Internal thread
Electrically
Base plate ISO 5599-1
Base plate ISO 5599-1



Min. working pressure [bar]	Max. working pressure [bar]	Operational voltage	Voltage tolerance DC	Power consumption DC [W]	Pilot	Throttle	Manual override	Part No.
1.5	10	24 V	-10% / +10%	6	Internal		without detent	5813670190
1.5	10	24 V	-10% / +10%	6	Internal	with throttle	without detent	5813671190
-0.95	10	24 V	-10% / +10%	6	External		without detent	5813672190
-0.95	10	24 V	-10% / +10%	6	External	with throttle	without detent	5813673190

Dimensions



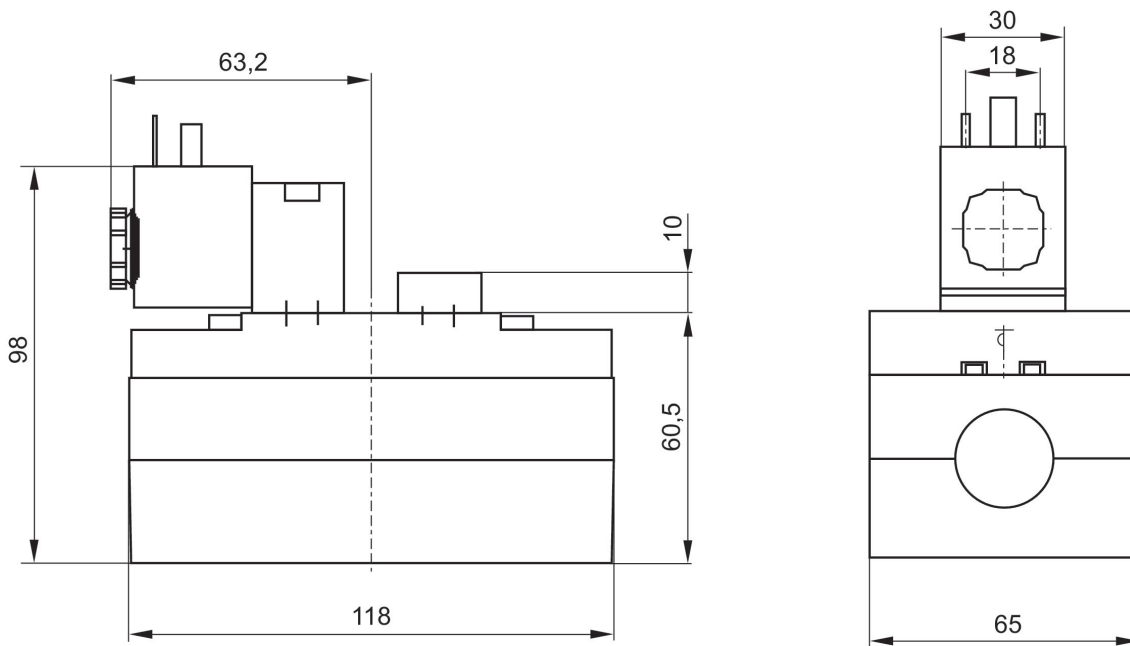
5/2-directional valve, Series 581, size 3

4800 l/min
Single Solenoid
ISO 5599-1
Plug
EN 175301-803, form A
Base plate connection
Internal thread
Electrically
Base plate ISO 5599-1
Base plate ISO 5599-1



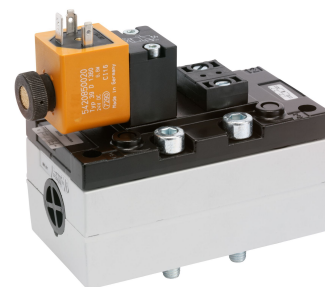
Min. working pressure [bar]	Max. working pressure [bar]	Operational voltage	Operational voltage	Voltage tolerance DC	Power consumption DC [W]	Pilot	Throttle	Manual override	Compatibility index	Part No.
3	10	24 V		-10% / +10%	2	Internal		with detent, without detent	14	5813170650
3	10		230 V			Internal		with detent, without detent	14	5813170450
3	10	24 V		-10% / +10%	2	Internal	with throttle	with detent, without detent	14	5813171650
3	10		230 V			Internal	with throttle	with detent, without detent	14	5813171450
-0.95	10	24 V		-10% / +10%	2	External		with detent, without detent	14	5813172650
-0.95	10		230 V			External		with detent, without detent	14	5813172450
-0.95	10	24 V		-10% / +10%	2	External	with throttle	with detent, without detent	14	5813173650
-0.95	10		230 V			External	with throttle	with detent, without detent	14	5813173450

Dimensions



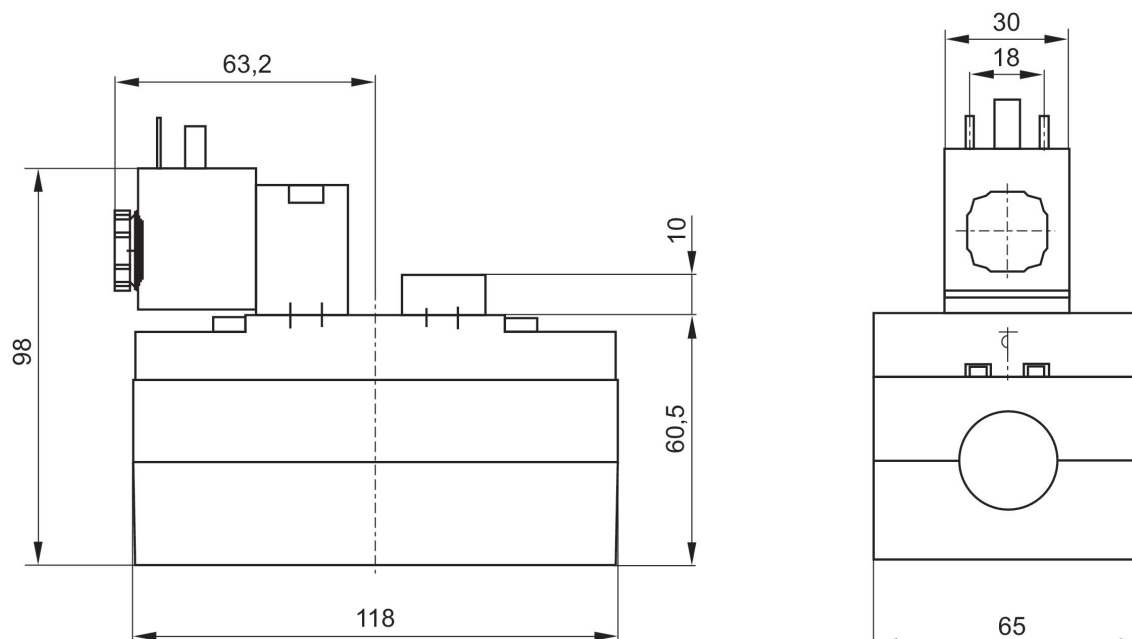
5/2-directional valve, Series 581, size 3

4800 l/min
Single Solenoid
ISO 5599-1
Plug
EN 175301-803, form A
Base plate connection
Internal thread
Electrically
Base plate ISO 5599-1
Base plate ISO 5599-1



Min. working pressure [bar]	Max. working pressure [bar]	Operational voltage	Operational voltage	Voltage tolerance DC	Power consumption DC [W]	Pilot	Throttle	Manual override	Part No.
3	16	24 V		-10% / +10%	6.7	Internal		without	5813170530
3	16		230 V			Internal		without	5813170430
3	16	24 V		-10% / +10%	6.7	Internal	with throttle	without	5813171530
3	16		230 V			Internal	with throttle	without	5813171430
-0.95	16	24 V		-10% / +10%	6.7	External		without	5813172530
-0.95	16		230 V			External		without	5813172430
-0.95	16	24 V		-10% / +10%	6.7	External	with throttle	without	5813173530
-0.95	16		230 V			External	with throttle	without	5813173430

Dimensions



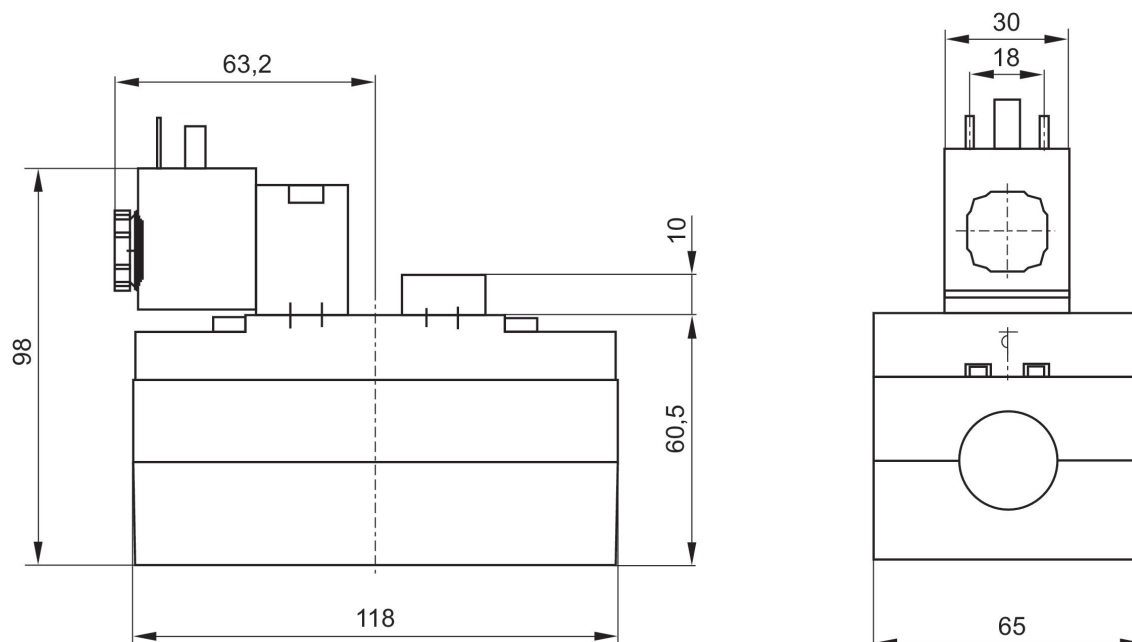
5/2-directional valve, Series 581, size 3

4800 l/min
Single Solenoid
ISO 5599-1
Plug
EN 175301-803, form A
Base plate connection
Internal thread
Electrically
Base plate ISO 5599-1
Base plate ISO 5599-1



Min. working pressure [bar]	Max. working pressure [bar]	Operational voltage	Operational voltage	Voltage tolerance DC	Power consumption DC [W]	Pilot	Throttle	Manual override	Part No.
3	16	24 V	42 V	-10% / +10%	6.7	Internal		without detent	5813170540
3	16		230 V			Internal		without detent	5813170440
3	16	24 V	42 V	-10% / +10%	6.7	Internal	with throttle	without detent	5813171540
3	16		230 V			Internal	with throttle	without detent	5813171440
-0.95	16	24 V	42 V	-10% / +10%	6.7	External		without detent	5813172540
-0.95	16		230 V			External		without detent	5813172440
-0.95	16	24 V	42 V	-10% / +10%	6.7	External	with throttle	without detent	5813173540
-0.95	16		230 V			External	with throttle	without detent	5813173440

Dimensions



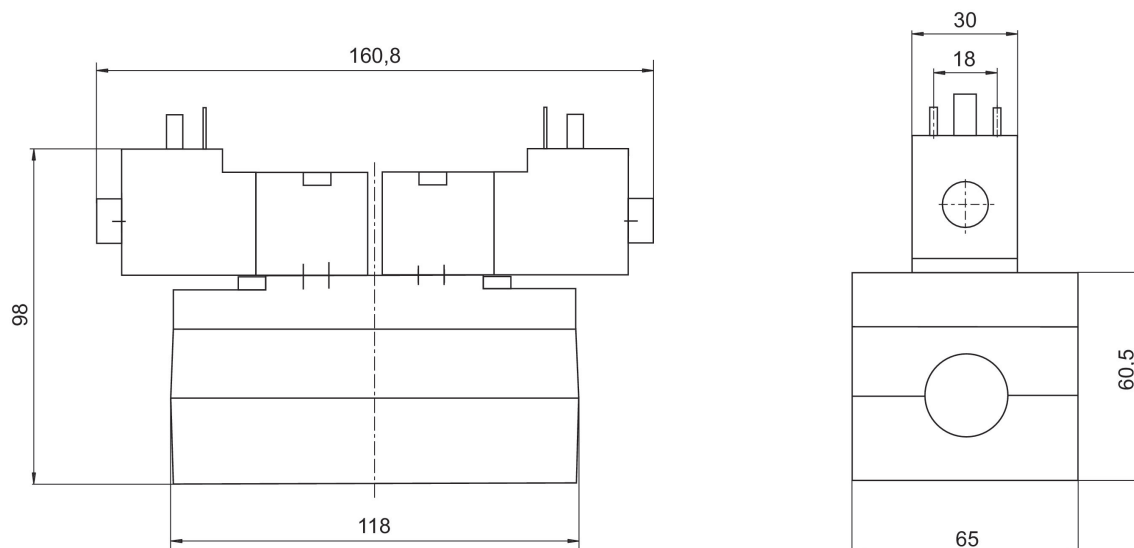
5/2-directional valve, Series 581, size 3

4800 l/min
Double Solenoid
ISO 5599-1
Plug
EN 175301-803, form A
Base plate connection
Internal thread
Electrically
Base plate ISO 5599-1
Base plate ISO 5599-1



Min. working pressure [bar]	Max. working pressure [bar]	Operational voltage	Voltage tolerance DC	Power consumption DC [W]	Pilot	Throttle	Manual override	Part No.
1.5	10	24 V	-10% / +10%	6	Internal		without detent	5813290190
1.5	10	24 V	-10% / +10%	6	Internal	with throttle	without detent	5813291190
-0.95	10	24 V	-10% / +10%	6	External		without detent	5813292190
-0.95	10	24 V	-10% / +10%	6	External	with throttle	without detent	5813293190

Dimensions



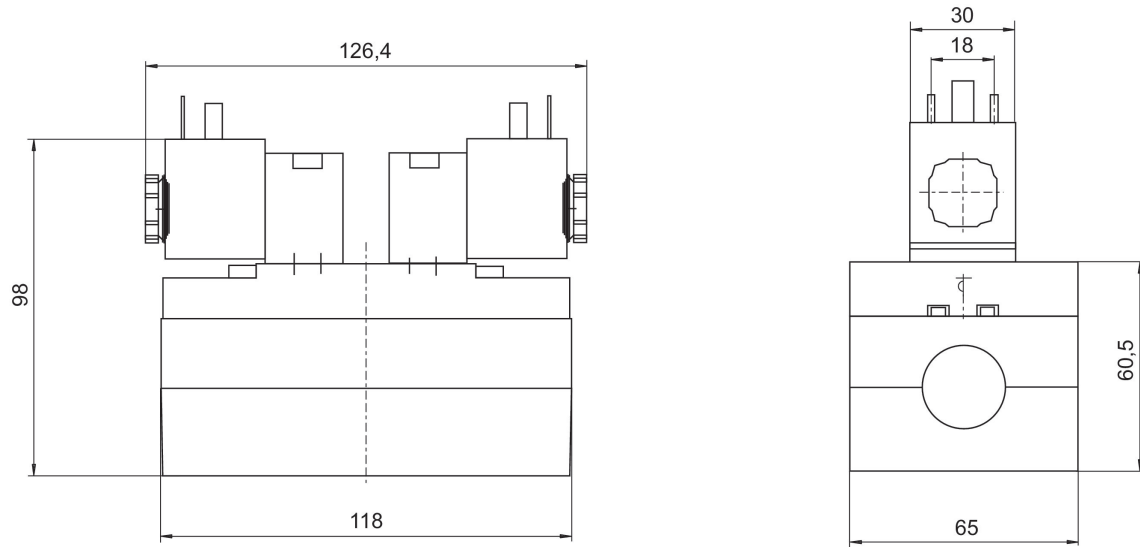
5/2-directional valve, Series 581, size 3

4800 l/min
Double Solenoid
ISO 5599-1
Plug
EN 175301-803, form A
Base plate connection
Internal thread
Electrically
Base plate ISO 5599-1
Base plate ISO 5599-1



Min. working pressure [bar]	Max. working pressure [bar]	Operational voltage	Operational voltage	Voltage tolerance DC	Power consumption DC [W]	Pilot	Throttle	Manual override	Compatibility index	Part No.
1.5	10	24 V		-10% / +10%	2	Internal		with detent, without detent	14	5813290650
1.5	10		230 V			Internal		with detent, without detent	14	5813290450
1.5	10	24 V		-10% / +10%	2	Internal	with throttle	with detent, without detent	14	5813291650
1.5	10		230 V			Internal	with throttle	with detent, without detent	14	5813291450
-0.95	10	24 V		-10% / +10%	2	External		with detent, without detent	14	5813292650
-0.95	10		230 V			External		with detent, without detent	14	5813292450
-0.95	10	24 V		-10% / +10%	2	External	with throttle	with detent, without detent	14	5813293650
-0.95	10		230 V			External	with throttle	with detent, without detent	14	5813293450

Dimensions



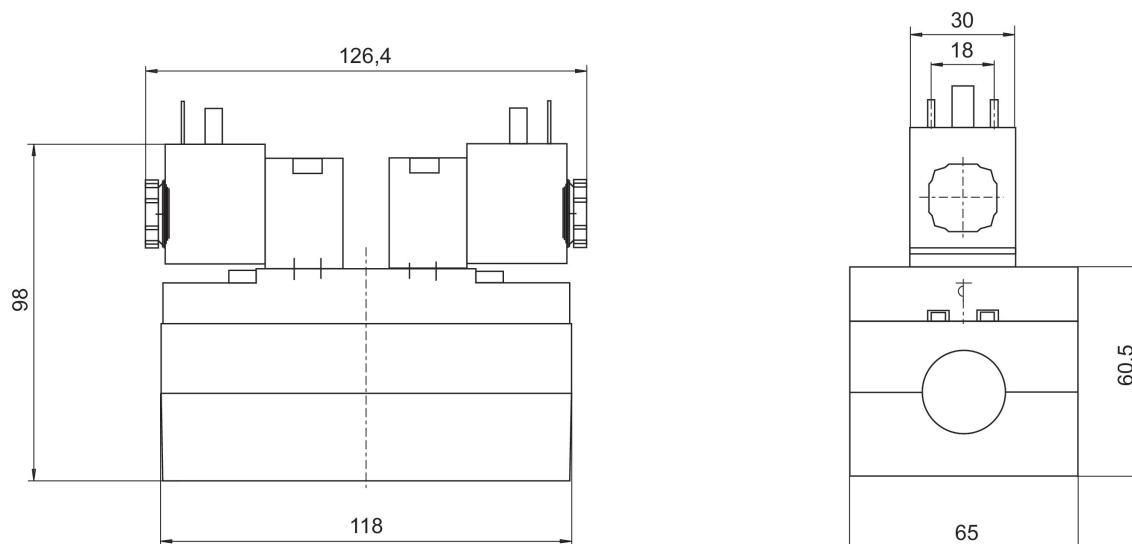
5/2-directional valve, Series 581, size 3

4800 l/min
Double Solenoid
ISO 5599-1
Plug
EN 175301-803, form A
Base plate connection
Internal thread
Electrically
Base plate ISO 5599-1
Base plate ISO 5599-1



Min. working pressure [bar]	Max. working pressure [bar]	Operational voltage	Operational voltage	Voltage tolerance DC	Power consumption DC [W]	Pilot	Throttle	Manual override	Part No.
1.5	16	24 V		-10% / +10%	6.7	Internal		without	5813290530
1.5	16		230 V			Internal		without	5813290430
1.5	16	24 V		-10% / +10%	6.7	Internal	with throttle	without	5813291530
1.5	16		230 V			Internal	with throttle	without	5813291430
-0.95	16	24 V		-10% / +10%	6.7	External		without	5813292530
-0.95	16		230 V			External		without	5813292430
-0.95	16	24 V		-10% / +10%	6.7	External	with throttle	without	5813293530
-0.95	16		230 V			External	with throttle	without	5813293430

Dimensions



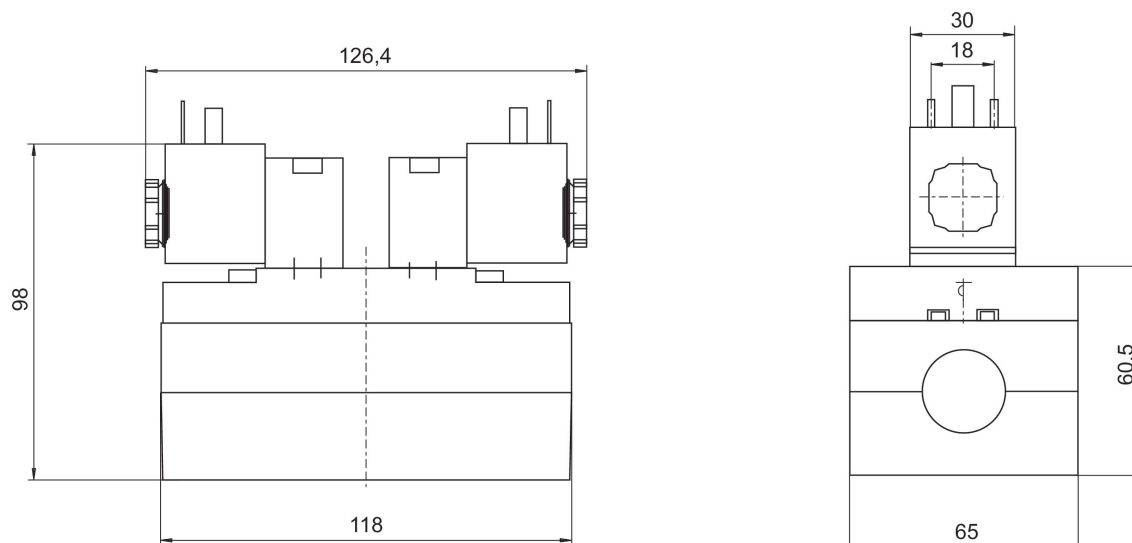
5/2-directional valve, Series 581, size 3

4800 l/min
Double Solenoid
ISO 5599-1
Plug
EN 175301-803, form A
Base plate connection
Internal thread
Electrically
Base plate ISO 5599-1
Base plate ISO 5599-1



Min. working pressure [bar]	Max. working pressure [bar]	Operational voltage	Operational voltage	Voltage tolerance DC	Power consumption DC [W]	Pilot	Throttle	Manual override	Part No.
1.5	16	24 V	42 V	-10% / +10%	6.7	Internal		without detent	5813290540
1.5	16		230 V			Internal		without detent	5813290440
1.5	16	24 V	42 V	-10% / +10%	6.7	Internal	with throttle	without detent	5813291540
1.5	16		230 V			Internal	with throttle	without detent	5813291440
-0.95	16	24 V	42 V	-10% / +10%	6.7	External		without detent	5813292540
-0.95	16		230 V			External		without detent	5813292440
-0.95	16	24 V	42 V	-10% / +10%	6.7	External	with throttle	without detent	5813293540
-0.95	16		230 V			External	with throttle	without detent	5813293440

Dimensions



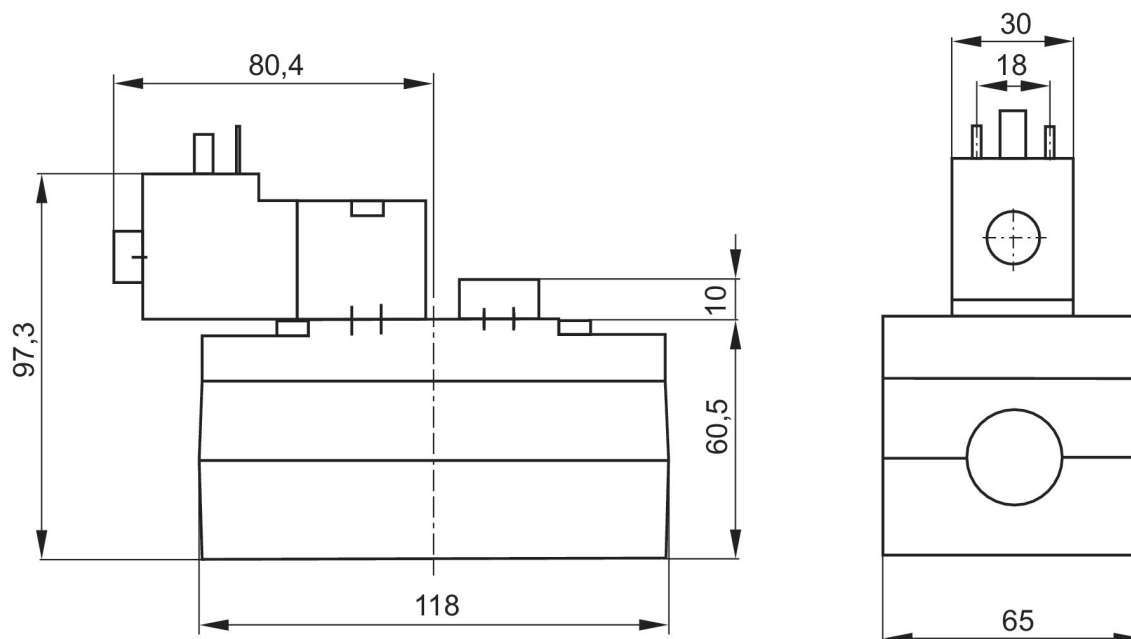
5/2-directional valve, Series 581, size 3

4800 l/min
Single Solenoid
ISO 5599-1
Plug
EN 175301-803, form A
Base plate connection
Internal thread
Electrically
Base plate ISO 5599-1
Base plate ISO 5599-1



Min. working pressure [bar]	Max. working pressure [bar]	Operational voltage	Voltage tolerance DC	Power consumption DC [W]	Pilot	Throttle	Manual override	Part No.
3	10	24 V	-10% / +10%	6	Internal		without detent	5813170190
3	10	24 V	-10% / +10%	6	Internal	with throttle	without detent	5813171190
-0.95	10	24 V	-10% / +10%	6	External		without detent	5813172190
-0.95	10	24 V	-10% / +10%	6	External	with throttle	without detent	5813173190

Dimensions



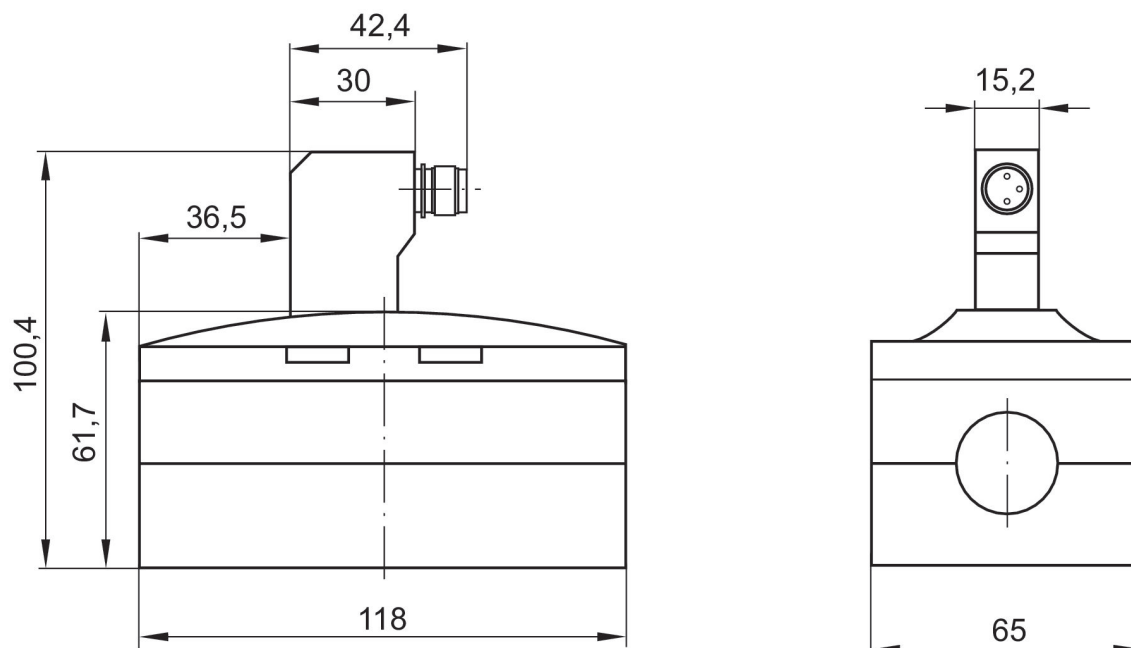
5/2-directional valve, Series 581, size 3

4800 l/min
ISO 5599-1
Plug
M12
Base plate connection
Electrically
4-pin
Base plate ISO 5599-1
Base plate ISO 5599-1



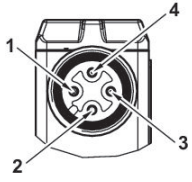
Min. working pressure [bar]	Max. working pressure [bar]	Operational voltage	Voltage tolerance DC	Power consumption DC [W]	Pilot	Throttle	Manual override	Part No.
-0.95	10	24 V	-10% / +10%	0.35	Internal		without detent	5813610720
-0.95	10	24 V	-10% / +10%	0.35	Internal	with throttle	without detent	5813611720
-0.95	10	24 V	-10% / +10%	0.35	Internal		with detent	5813610710
-0.95	10	24 V	-10% / +10%	0.35	Internal	with throttle	with detent	5813611710
-0.95	10	24 V	-10% / +10%	0.35	External		without detent	5813612720
-0.95	10	24 V	-10% / +10%	0.35	External	with throttle	without detent	5813613720
-0.95	10	24 V	-10% / +10%	0.35	External		with detent	5813612710
-0.95	10	24 V	-10% / +10%	0.35	External	with throttle	with detent	5813613710

Dimensions



5813610720, 5813611720, 5813610710, 5813611710, 5813612720, 5813613720, 5813612710, 5813613710

Pin assignments



- 1) not assigned
- 2) Coil 12
- 3) 0 V DC
- 4) Coil 14

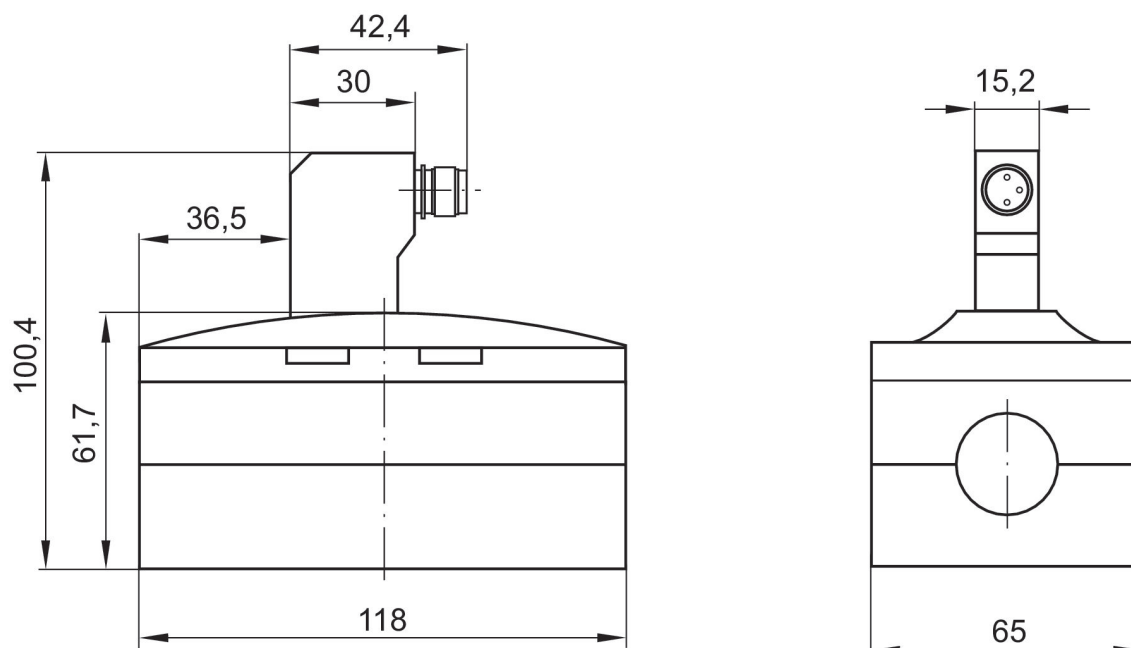
5/2-directional valve, Series 581, size 3

4800 l/min
Single Solenoid
ISO 5599-1
Plug
M12
Base plate connection
Electrically
4-pin
Base plate ISO 5599-1
Base plate ISO 5599-1



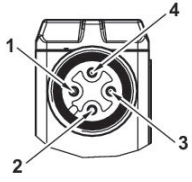
Min. working pressure [bar]	Max. working pressure [bar]	Operational voltage	Voltage tolerance DC	Power consumption DC [W]	Pilot	Throttle	Manual override	Part No.
-0.95	10	24 V	-10% / +10%	0.35	Internal		with detent	5813110720
-0.95	10	24 V	-10% / +10%	0.35	Internal	with throttle	with detent	5813111720
-0.95	10	24 V	-10% / +10%	0.35	Internal		without detent	5813110710
-0.95	10	24 V	-10% / +10%	0.35	Internal	with throttle	without detent	5813111710
-0.95	10	24 V	-10% / +10%	0.35	External		with detent	5813112720
-0.95	10	24 V	-10% / +10%	0.35	External		without detent	5813112710
-0.95	10	24 V	-10% / +10%	0.35	External	with throttle	without detent	5813113710

Dimensions



5813110720, 5813111720, 5813110710, 5813111710, 5813112720, 5813112710, 5813113710

Pin assignments



- 1) not assigned
- 2) Coil 12
- 3) 0 V DC
- 4) Coil 14

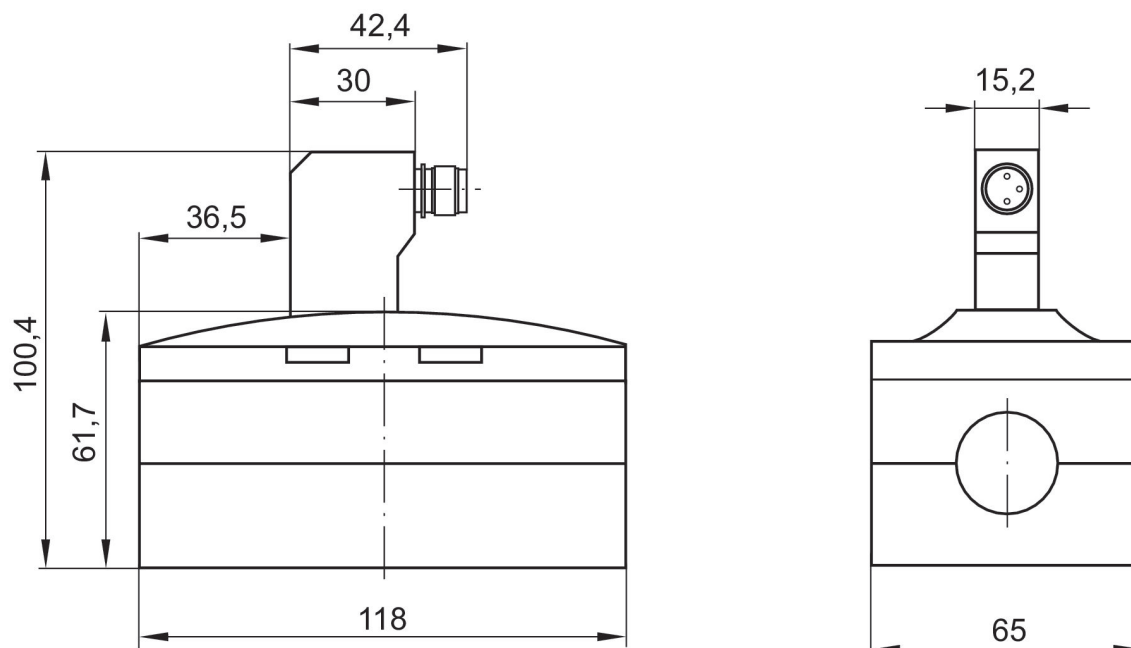
5/2-directional valve, Series 581, size 3

4800 l/min
Double Solenoid
ISO 5599-1
Plug
M12
Base plate connection
Electrically
4-pin
Base plate ISO 5599-1
Base plate ISO 5599-1



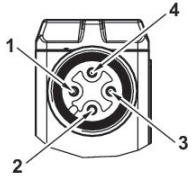
Min. working pressure [bar]	Max. working pressure [bar]	Operational voltage	Voltage tolerance DC	Power consumption DC [W]	Pilot	Throttle	Manual override	Part No.
-0.95	10	24 V	-10% / +10%	0.35	Internal		without detent	5813220720
-0.95	10	24 V	-10% / +10%	0.35	Internal	with throttle	without detent	5813221720
-0.95	10	24 V	-10% / +10%	0.35	Internal		with detent	5813220710
-0.95	10	24 V	-10% / +10%	0.35	Internal	with throttle	with detent	5813221710
-0.95	10	24 V	-10% / +10%	0.35	External		without detent	5813222720
-0.95	10	24 V	-10% / +10%	0.35	External	with throttle	without detent	5813223720
-0.95	10	24 V	-10% / +10%	0.35	External		with detent	5813222710
-0.95	10	24 V	-10% / +10%	0.35	External	with throttle	with detent	5813223710

Dimensions



5813220720, 5813221720, 5813220710, 5813221710, 5813222720, 5813223720, 5813222710, 5813223710

Pin assignments



- 1) not assigned
- 2) Coil 12
- 3) 0 V DC
- 4) Coil 14

5/3-directional valve, Series 581, size 3

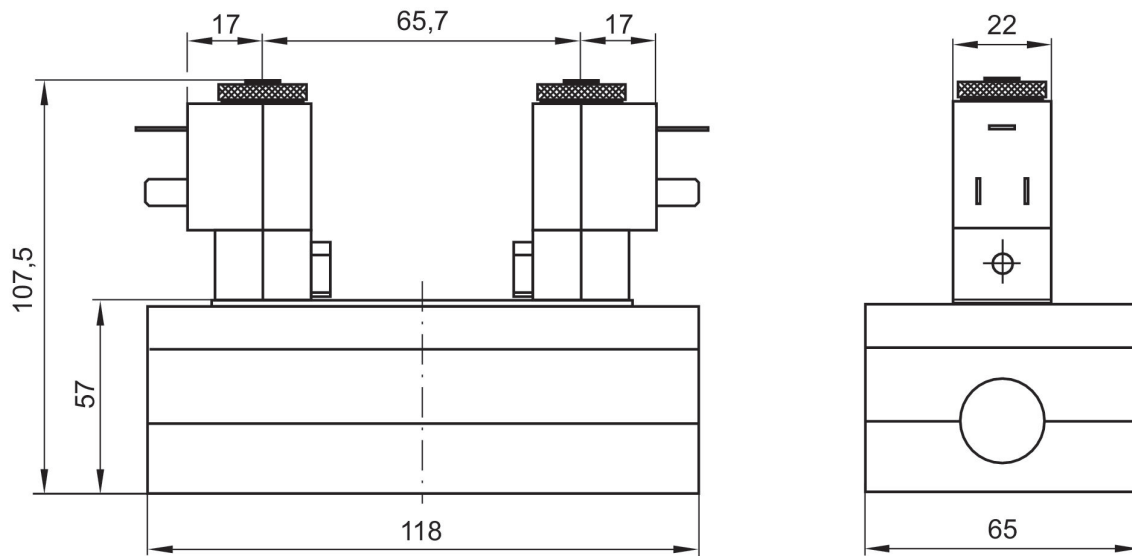
4100 l/min
ISO 5599-1
Plug
Form B, industry
Base plate connection
Internal thread
Electrically
Base plate ISO 5599-1
Base plate ISO 5599-1



	Min. working pressure [bar]	Max. working pressure [bar]	Operational voltage	Operational voltage	Operational voltage	Voltage tolerance DC	Power consumption DC [W]	Pilot	Throttle	Manual override	Part No.
Pressurized Center	3	10	12 V			-10% / +10%	5	Internal		with detent	5813720500
Pressurized Center	3	10		24 V				Internal		with detent	5813720200
Pressurized Center	3	10	24 V			-10% / +10%	5	Internal		with detent	5813720100
Pressurized Center	3	10	48 V			-10% / +10%	5	Internal		with detent	5813720600
Pressurized Center	3	10			110 V			Internal		with detent	5813720300
Pressurized Center	3	10		230 V				Internal		with detent	5813720400
Pressurized Center	3	10						Internal		with detent	5813720000
Pressurized Center	3	10	12 V			-10% / +10%	5	Internal	with throttle	with detent	5813721500
Pressurized Center	3	10		24 V				Internal	with throttle	with detent	5813721200
Pressurized Center	3	10	24 V			-10% / +10%	5	Internal	with throttle	with detent	5813721100
Pressurized Center	3	10	48 V			-10% / +10%	5	Internal	with throttle	with detent	5813721600
Pressurized Center	3	10			110 V			Internal	with throttle	with detent	5813721300
Pressurized Center	3	10		230 V				Internal	with throttle	with detent	5813721400

	Min. working pressure [bar]	Max. working pressure [bar]	Operational voltage	Operational voltage	Operational voltage	Voltage tolerance DC	Power consumption DC [W]	Pilot	Throttle	Manual override	Part No.
Pressurized Center	3	10						Internal	with throttle	with detent	5813721000
Pressurized Center	-0.95	10	12 V			-10% / +10%	5	External		with detent	5813722500
Pressurized Center	-0.95	10		24 V				External		with detent	5813722200
Pressurized Center	-0.95	10	24 V			-10% / +10%	5	External		with detent	5813722100
Pressurized Center	-0.95	10	48 V			-10% / +10%	5	External		with detent	5813722600
Pressurized Center	-0.95	10			110 V			External		with detent	5813722300
Pressurized Center	-0.95	10		230 V				External		with detent	5813722400
Pressurized Center	-0.95	10						External		with detent	5813722000
Pressurized Center	-0.95	10	12 V			-10% / +10%	5	External	with throttle	with detent	5813723500
Pressurized Center	-0.95	10		24 V				External	with throttle	with detent	5813723200
Pressurized Center	-0.95	10	24 V			-10% / +10%	5	External	with throttle	with detent	5813723100
Pressurized Center	-0.95	10	48 V			-10% / +10%	5	External	with throttle	with detent	5813723600
Pressurized Center	-0.95	10			110 V			External	with throttle	with detent	5813723300
Pressurized Center	-0.95	10		230 V				External	with throttle	with detent	5813723400
Pressurized Center	-0.95	10						External	with throttle	with detent	5813723000

Dimensions



The pilot valves can be loosened and turned through 180°.

5/3-directional valve, Series 581, size 3

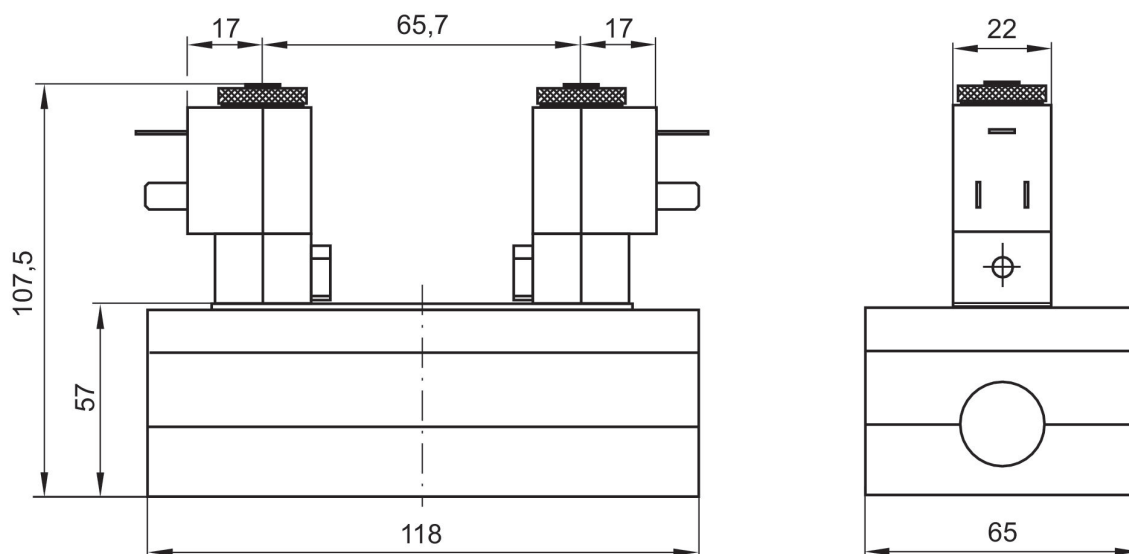
4100 l/min
ISO 5599-1
Plug
Form B, industry
Base plate connection
Internal thread
Electrically
Base plate ISO 5599-1
Base plate ISO 5599-1



	Min. working pressure [bar]	Max. working pressure [bar]	Operational voltage	Operational voltage	Operational voltage	Voltage tolerance DC	Power consumption DC [W]	Pilot	Throttle	Manual override	Part No.
Exhausted Center	3	10	12 V			-10% / +10%	5	Internal		with detent	5813520500
Exhausted Center	3	10		24 V				Internal		with detent	5813520200
Exhausted Center	3	10	24 V			-10% / +10%	5	Internal		with detent	5813520100
Exhausted Center	3	10	48 V			-10% / +10%	5	Internal		with detent	5813520600
Exhausted Center	3	10			110 V			Internal		with detent	5813520300
Exhausted Center	3	10		230 V				Internal		with detent	5813520400
Exhausted Center	3	10						Internal		with detent	5813520000
Exhausted Center	3	10	12 V			-10% / +10%	5	Internal	with throttle	with detent	5813521500
Exhausted Center	3	10		24 V				Internal	with throttle	with detent	5813521200
Exhausted Center	3	10	24 V			-10% / +10%	5	Internal	with throttle	with detent	5813521100
Exhausted Center	3	10	48 V			-10% / +10%	5	Internal	with throttle	with detent	5813521600
Exhausted Center	3	10			110 V			Internal	with throttle	with detent	5813521300
Exhausted Center	3	10		230 V				Internal	with throttle	with detent	5813521400
Exhausted Center	3	10						Internal	with throttle	with detent	5813521000
Exhausted Center	-0.95	10	12 V			-10% / +10%	5	External		with detent	5813522500
Exhausted Center	-0.95	10		24 V				External		with detent	5813522200
Exhausted Center	-0.95	10	24 V			-10% / +10%	5	External		with detent	5813522100
Exhausted Center	-0.95	10	48 V			-10% / +10%	5	External		with detent	5813522600

	Min. working pressure [bar]	Max. working pressure [bar]	Operational voltage	Operational voltage	Operational voltage	Voltage tolerance DC	Power consumption DC [W]	Pilot	Throttle	Manual override	Part No.
Exhausted Center	-0.95	10			110 V			External		with de- tent	5813522300
Exhausted Center	-0.95	10		230 V				External		with de- tent	5813522400
Exhausted Center	-0.95	10						External		with de- tent	5813522000
Exhausted Center	-0.95	10	12 V			-10% / +10%	5	External	with throt- tle	with de- tent	5813523500
Exhausted Center	-0.95	10		24 V				External	with throt- tle	with de- tent	5813523200
Exhausted Center	-0.95	10	24 V			-10% / +10%	5	External	with throt- tle	with de- tent	5813523100
Exhausted Center	-0.95	10	48 V			-10% / +10%	5	External	with throt- tle	with de- tent	5813523600
Exhausted Center	-0.95	10			110 V			External	with throt- tle	with de- tent	5813523300
Exhausted Center	-0.95	10		230 V				External	with throt- tle	with de- tent	5813523400
Exhausted Center	-0.95	10						External	with throt- tle	with de- tent	5813523000

Dimensions



The pilot valves can be loosened and turned through 180°.

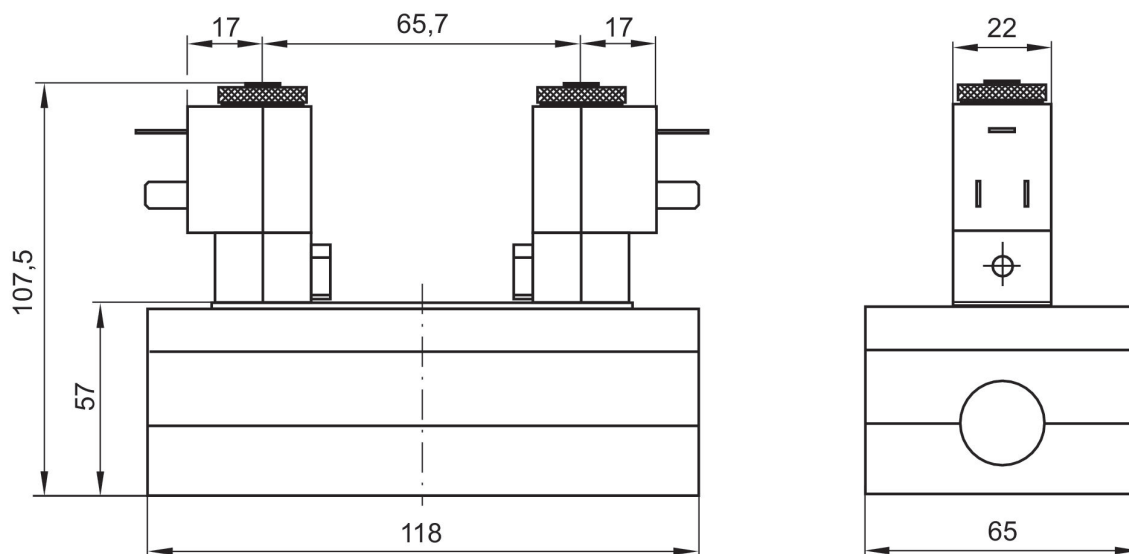
5/3-directional valve, Series 581, size 3

4100 l/min
 ISO 5599-1
 Plug
 Form B, industry
 Base plate connection
 Internal thread
 Electrically
 Base plate ISO 5599-1
 Base plate ISO 5599-1

	Min. working pressure [bar]	Max. working pressure [bar]	Operational voltage	Operational voltage	Operational voltage	Voltage tolerance DC	Power consumption DC [W]	Pilot	Throttle	Manual override	Part No.
Closed Center	3	10	12 V			-10% / +10%	5	Internal		with detent	5813420500
Closed Center	3	10		24 V				Internal		with detent	5813420200
Closed Center	3	10	24 V			-10% / +10%	5	Internal		with detent	5813420100
Closed Center	3	10	48 V			-10% / +10%	5	Internal		with detent	5813420600
Closed Center	3	10			110 V			Internal		with detent	5813420300
Closed Center	3	10		230 V				Internal		with detent	5813420400
Closed Center	3	10						Internal		with detent	5813420000
Closed Center	3	10	12 V			-10% / +10%	5	Internal	with throttle	with detent	5813421500
Closed Center	3	10		24 V				Internal	with throttle	with detent	5813421200
Closed Center	3	10	24 V			-10% / +10%	5	Internal	with throttle	with detent	5813421100
Closed Center	3	10	48 V			-10% / +10%	5	Internal	with throttle	with detent	5813421600
Closed Center	3	10			110 V			Internal	with throttle	with detent	5813421300
Closed Center	3	10		230 V				Internal	with throttle	with detent	5813421400
Closed Center	3	10						Internal	with throttle	with detent	5813421000
Closed Center	-0.95	10	12 V			-10% / +10%	5	External		with detent	5813422500
Closed Center	-0.95	10		24 V				External		with detent	5813422200
Closed Center	-0.95	10	24 V			-10% / +10%	5	External		with detent	5813422100
Closed Center	-0.95	10	48 V			-10% / +10%	5	External		with detent	5813422600
Closed Center	-0.95	10			110 V			External		with detent	5813422300

	Min. working pressure [bar]	Max. working pressure [bar]	Operational voltage	Operational voltage	Operational voltage	Voltage tolerance DC	Power consumption DC [W]	Pilot	Throttle	Manual override	Part No.
Closed Center	-0.95	10		230 V				External		with de- tent	5813422400
Closed Center	-0.95	10						External		with de- tent	5813422000
Closed Center	-0.95	10	12 V			-10% / +10%	5	External	with throt- tle	with de- tent	5813423500
Closed Center	-0.95	10		24 V				External	with throt- tle	with de- tent	5813423200
Closed Center	-0.95	10	24 V			-10% / +10%	5	External	with throt- tle	with de- tent	5813423100
Closed Center	-0.95	10	48 V			-10% / +10%	5	External	with throt- tle	with de- tent	5813423600
Closed Center	-0.95	10			110 V			External	with throt- tle	with de- tent	5813423300
Closed Center	-0.95	10		230 V				External	with throt- tle	with de- tent	5813423400
Closed Center	-0.95	10						External	with throt- tle	with de- tent	5813423000

Dimensions



The pilot valves can be loosened and turned through 180°.

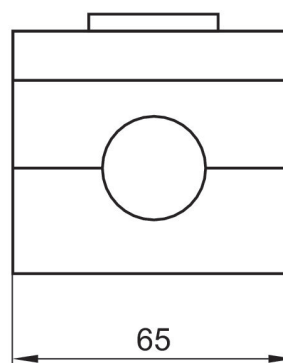
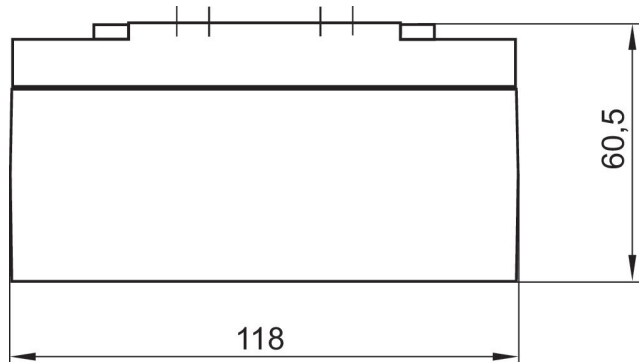
5/3-directional valve, Series 581, size 3

4100 l/min
 ISO 5599-1
 Base plate connection
 Internal thread
 Electrically
 Basic valve without pilot valve
 Base plate ISO 5599-1
 Base plate ISO 5599-1



	Min. working pressure [bar]	Max. working pressure [bar]	Pilot	Part No.
Closed Center	-0.95	16	External, Internal	5813480100
Closed Center	-0.95	16	External, Internal	5813580100
Pressurized Center	-0.95	16	External, Internal	5813780100

Dimensions



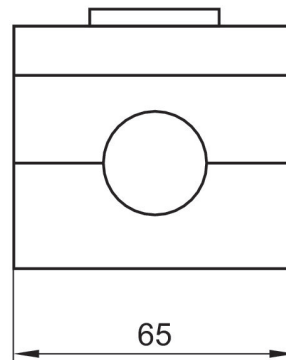
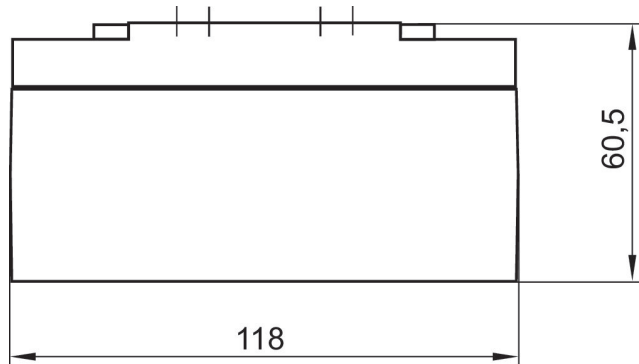
5/3-directional valve, Series 581, size 3

4100 l/min
ISO 5599-1
Base plate connection
Internal thread
Electrically
Basic valve without pilot valve
Base plate ISO 5599-1
Base plate ISO 5599-1



	Min. working pressure [bar]	Max. working pressure [bar]	Pilot	Throttle	Part No.
Closed Center	-0.95	16	External, Internal		5813480000
Closed Center	-0.95	16	External, Internal	with throttle	5813481000
Closed Center	-0.95	16	External, Internal		5813580000
Closed Center	-0.95	16	External, Internal	with throttle	5813581000
Pressurized Center	-0.95	16	External, Internal		5813780000
Pressurized Center	-0.95	16	External, Internal	with throttle	5813781000

Dimensions



5/3-directional valve, Series 581, size 3

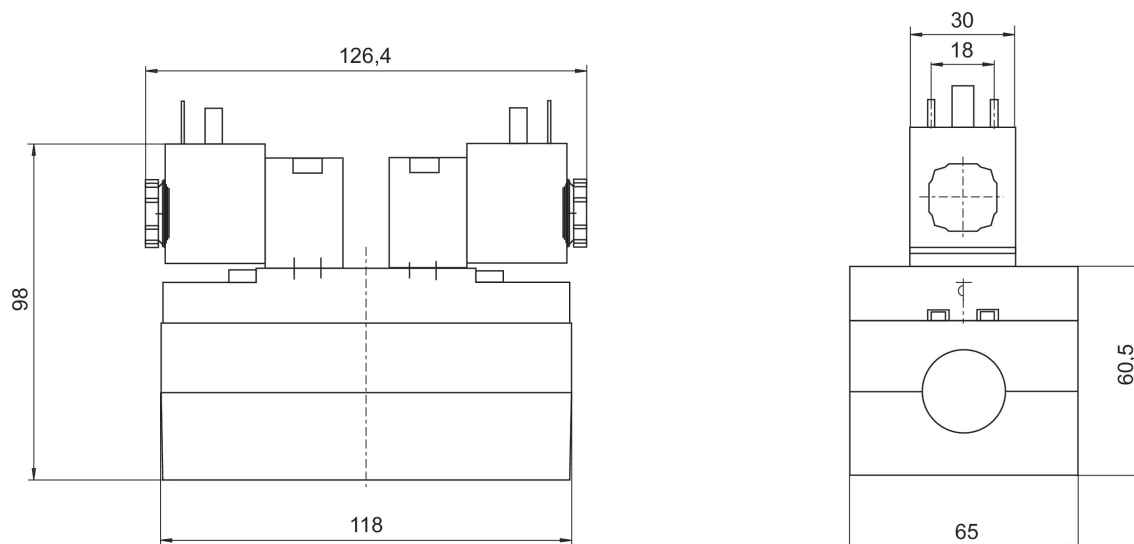
4100 l/min
ISO 5599-1
Plug
EN 175301-803, form A
Base plate connection
Internal thread
Electrically
Base plate ISO 5599-1
Base plate ISO 5599-1



	Min. working pressure [bar]	Max. working pressure [bar]	Operational voltage	Operational voltage	Voltage tolerance DC	Power consumption DC [W]	Pilot	Throttle	Manual override	Part No.
Closed Center	3	16	24 V		-10% / +10%	6.7	Internal		without	5813490530
Closed Center	3	16		230 V			Internal		without	5813490430
Closed Center	3	16	24 V		-10% / +10%	6.7	Internal	with throttle	without	5813491530
Closed Center	3	16		230 V			Internal	with throttle	without	5813491430
Closed Center	-0.95	16	24 V		-10% / +10%	6.7	External		without	5813492530
Closed Center	-0.95	16		230 V			External		without	5813492430
Closed Center	-0.95	16	24 V		-10% / +10%	6.7	External	with throttle	without	5813493530
Closed Center	-0.95	16		230 V			External	with throttle	without	5813493430
Exhausted Center	3	16	24 V		-10% / +10%	6.7	Internal		without	5813590530
Exhausted Center	3	16		230 V			Internal		without	5813590430
Exhausted Center	3	16	24 V		-10% / +10%	6.7	Internal	with throttle	without	5813591530
Exhausted Center	3	16		230 V			Internal	with throttle	without	5813591430
Exhausted Center	-0.95	16	24 V		-10% / +10%	6.7	External		without	5813592530
Exhausted Center	-0.95	16		230 V			External		without	5813592430
Exhausted Center	-0.95	16	24 V		-10% / +10%	6.7	External	with throttle	without	5813593530
Exhausted Center	-0.95	16		230 V			External	with throttle	without	5813593430
Pressurized Center	3	16	24 V		-10% / +10%	6.7	Internal		without	5813790530
Pressurized Center	3	16		230 V			Internal		without	5813790430

	Min. working pressure [bar]	Max. working pressure [bar]	Operational voltage	Operational voltage	Voltage tolerance DC	Power consumption DC [W]	Pilot	Throttle	Manual override	Part No.
Pressurized Center	3	16	24 V		-10% / +10%	6.7	Internal	with throttle	without	5813791530
Pressurized Center	3	16		230 V			Internal	with throttle	without	5813791430
Pressurized Center	-0.95	16	24 V		-10% / +10%	6.7	External		without	5813792530
Pressurized Center	-0.95	16		230 V			External		without	5813792430
Pressurized Center	-0.95	16	24 V		-10% / +10%	6.7	External	with throttle	without	5813793530
Pressurized Center	-0.95	16		230 V			External	with throttle	without	5813793430

Dimensions



5/3-directional valve, Series 581, size 3

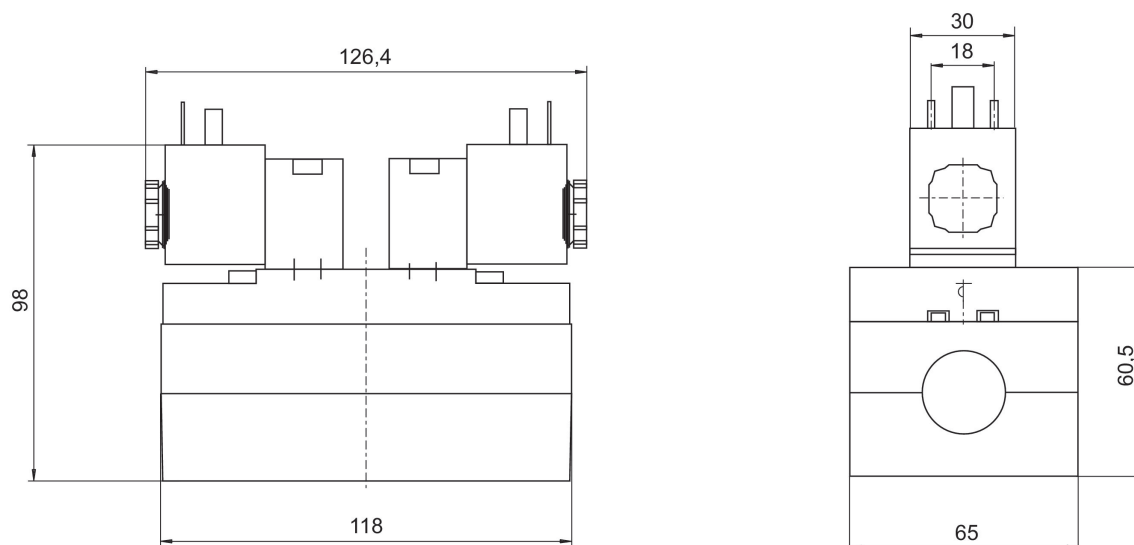
4100 l/min
ISO 5599-1
Plug
EN 175301-803, form A
Base plate connection
Internal thread
Electrically
Base plate ISO 5599-1
Base plate ISO 5599-1



	Min. working pressure [bar]	Max. working pressure [bar]	Operational voltage	Operational voltage	Voltage tolerance DC	Power consumption DC [W]	Pilot	Throttle	Manual override	Compatibility index	Part No.
Closed Center	3	10	24 V		-10% / +10%	2	Internal		with detent, without detent	14	5813490650
Closed Center	3	10		230 V			Internal		with detent, without detent	14	5813490450
Closed Center	3	10	24 V		-10% / +10%	2	Internal	with throttle	with detent, without detent	14	5813491650
Closed Center	3	10		230 V			Internal	with throttle	with detent, without detent	14	5813491450
Closed Center	-0.95	10	24 V		-10% / +10%	2	External		with detent, without detent	14	5813492650
Closed Center	-0.95	10		230 V			External		with detent, without detent	14	5813492450
Closed Center	-0.95	10	24 V		-10% / +10%	2	External	with throttle	with detent, without detent	14	5813493650
Closed Center	-0.95	10		230 V			External	with throttle	with detent, without detent	14	5813493450
Exhausted Center	3	10	24 V		-10% / +10%	2	Internal		with detent, without detent	14	5813590650
Exhausted Center	3	10		230 V			Internal		with detent, without detent	14	5813590450
Exhausted Center	3	10	24 V		-10% / +10%	2	Internal	with throttle	with detent, without detent	14	5813591650
Exhausted Center	3	10		230 V			Internal	with throttle	with detent, without detent	14	5813591450
Exhausted Center	-0.95	10	24 V		-10% / +10%	2	External		with detent, without detent	14	5813592650

	Min. working pressure [bar]	Max. working pressure [bar]	Operational voltage	Operational voltage	Voltage tolerance DC	Power consumption DC [W]	Pilot	Throttle	Manual override	Compatibility index	Part No.
Exhausted Center	-0.95	10		230 V			External		with detent, without detent	14	5813592450
Exhausted Center	-0.95	10	24 V		-10% / +10%	2	External	with throttle	with detent, without detent	14	5813593650
Exhausted Center	-0.95	10		230 V			External	with throttle	with detent, without detent	14	5813593450
Pressurized Center	3	10	24 V		-10% / +10%	2	Internal		with detent, without detent	14	5813790650
Pressurized Center	3	10		230 V			Internal		with detent, without detent	14	5813790450
Pressurized Center	3	10	24 V		-10% / +10%	2	Internal	with throttle	with detent, without detent	14	5813791650
Pressurized Center	3	10		230 V			Internal	with throttle	with detent, without detent	14	5813791450
Pressurized Center	-0.95	10	24 V		-10% / +10%	2	External		with detent, without detent	14	5813792650
Pressurized Center	-0.95	10		230 V			External		with detent, without detent	14	5813792450
Pressurized Center	-0.95	10	24 V		-10% / +10%	2	External	with throttle	with detent, without detent	14	5813793650
Pressurized Center	-0.95	10		230 V			External	with throttle	with detent, without detent	14	5813793450

Dimensions



5/3-directional valve, Series 581, size 3

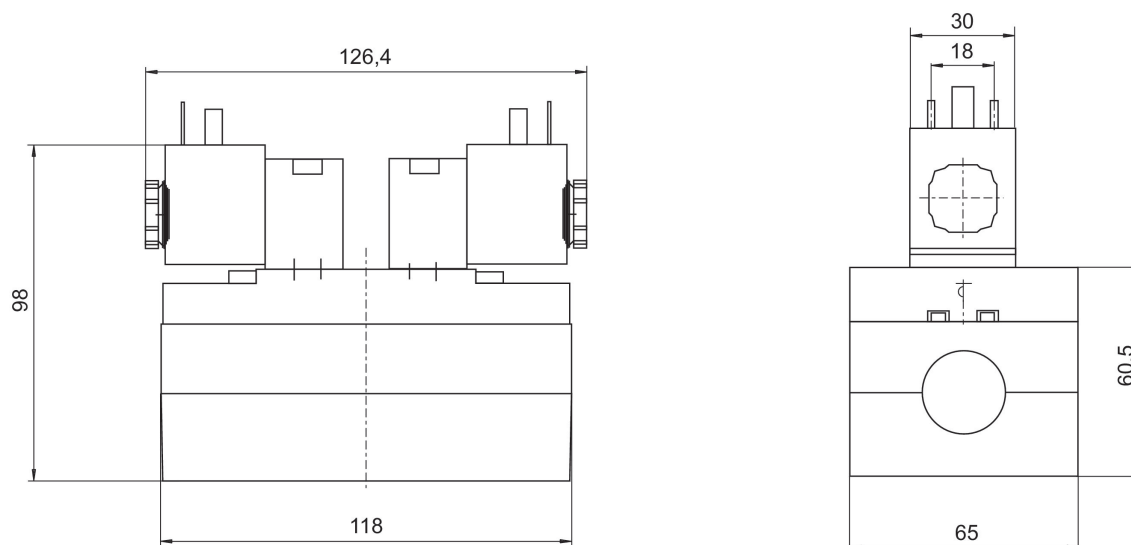
4100 l/min
ISO 5599-1
Plug
EN 175301-803, form A
Base plate connection
Internal thread
Electrically
Base plate ISO 5599-1
Base plate ISO 5599-1



	Min. work- ing pres- sure [bar]	Max. working pressure [bar]	Opera- tional voltage	Opera- tional voltage	Voltage toler- ance DC	Power consump- tion DC [W]	Pilot	Throttle	Manual override	Part No.
Closed Center	3	16	24 V	42 V	-10% / +10%	6.7	Internal		without de- tent	5813490540
Closed Center	3	16		230 V			Internal		without de- tent	5813490440
Closed Center	3	16	24 V	42 V	-10% / +10%	6.7	Internal	with throt- tle	without de- tent	5813491540
Closed Center	3	16		230 V			Internal	with throt- tle	without de- tent	5813491440
Closed Center	-0.95	16	24 V	42 V	-10% / +10%	6.7	External		without de- tent	5813492540
Closed Center	-0.95	16		230 V			External		without de- tent	5813492440
Closed Center	-0.95	16	24 V	42 V	-10% / +10%	6.7	External	with throt- tle	without de- tent	5813493540
Closed Center	-0.95	16		230 V			External	with throt- tle	without de- tent	5813493440
Exhausted Center	3	16	24 V	42 V	-10% / +10%	6.7	Internal		without de- tent	5813590540
Exhausted Center	3	16		230 V			Internal		without de- tent	5813590440
Exhausted Center	3	16	24 V	42 V	-10% / +10%	6.7	Internal	with throt- tle	without de- tent	5813591540
Exhausted Center	3	16		230 V			Internal	with throt- tle	without de- tent	5813591440
Exhausted Center	-0.95	16	24 V	42 V	-10% / +10%	6.7	External		without de- tent	5813592540
Exhausted Center	-0.95	16		230 V			External		without de- tent	5813592440
Exhausted Center	-0.95	16	24 V	42 V	-10% / +10%	6.7	External	with throt- tle	without de- tent	5813593540
Exhausted Center	-0.95	16		230 V			External	with throt- tle	without de- tent	5813593440
Pressur- ized Cen- ter	3	16	24 V	42 V	-10% / +10%	6.7	Internal		without de- tent	5813790540

	Min. working pressure [bar]	Max. working pressure [bar]	Operational voltage	Operational voltage	Voltage tolerance DC	Power consumption DC [W]	Pilot	Throttle	Manual override	Part No.
Pressurized Center	3	16		230 V			Internal		without detent	5813790440
Pressurized Center	3	16	24 V	42 V	-10% / +10%	6.7	Internal	with throttle	without detent	5813791540
Pressurized Center	3	16		230 V			Internal	with throttle	without detent	5813791440
Pressurized Center	-0.95	16	24 V	42 V	-10% / +10%	6.7	External		without detent	5813792540
Pressurized Center	-0.95	16		230 V			External		without detent	5813792440
Pressurized Center	-0.95	16	24 V	42 V	-10% / +10%	6.7	External	with throttle	without detent	5813793540
Pressurized Center	-0.95	16		230 V			External	with throttle	without detent	5813793440

Dimensions



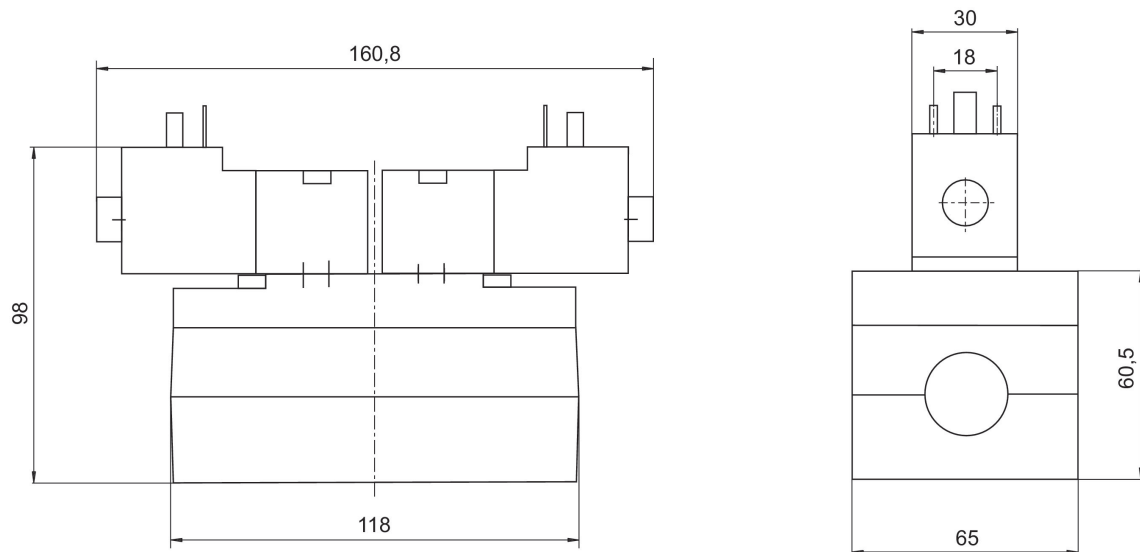
5/3-directional valve, Series 581, size 3

4100 l/min
 ISO 5599-1
 Plug
 EN 175301-803, form A
 Base plate connection
 Internal thread
 Electrically
 Base plate ISO 5599-1
 Base plate ISO 5599-1



	Min. working pressure [bar]	Max. working pressure [bar]	Operational voltage	Voltage tolerance DC	Power consumption DC [W]	Pilot	Throttle	Manual override	Part No.
Closed Center	3	10	24 V	-10% / +10%	6	Internal		without detent	5813490190
Closed Center	3	10	24 V	-10% / +10%	6	Internal	with throttle	without detent	5813491190
Closed Center	-0.95	10	24 V	-10% / +10%	6	External		without detent	5813492190
Closed Center	-0.95	10	24 V	-10% / +10%	6	External	with throttle	without detent	5813493190
Exhausted Center	3	10	24 V	-10% / +10%	6	Internal		without detent	5813590190
Exhausted Center	3	10	24 V	-10% / +10%	6	Internal	with throttle	without detent	5813591190
Exhausted Center	-0.95	10	24 V	-10% / +10%	6	External		without detent	5813592190
Exhausted Center	-0.95	10	24 V	-10% / +10%	6	External	with throttle	without detent	5813593190
Pressurized Center	3	10	24 V	-10% / +10%	6	Internal		without detent	5813790190
Pressurized Center	3	10	24 V	-10% / +10%	6	Internal	with throttle	without detent	5813791190
Pressurized Center	-0.95	10	24 V	-10% / +10%	6	External		without detent	5813792190
Pressurized Center	-0.95	10	24 V	-10% / +10%	6	External	with throttle	without detent	5813793190

Dimensions



5/3-directional valve, Series 581, size 3

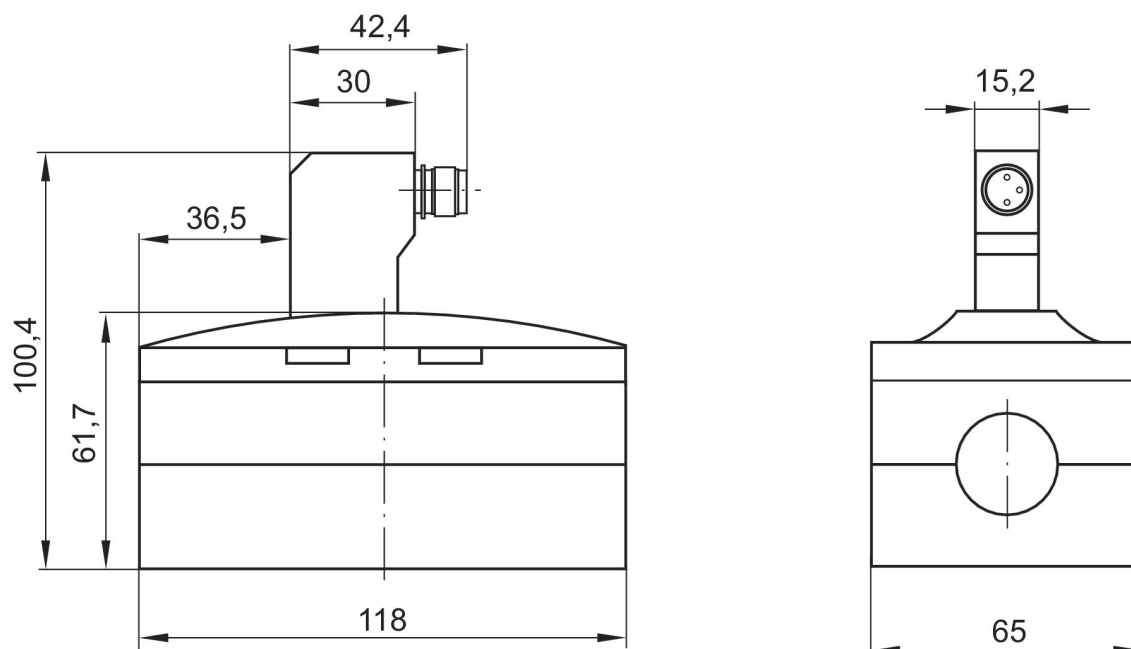
4100 l/min
ISO 5599-1
Plug
M12
Base plate connection
Electrically
4-pin
Base plate ISO 5599-1
Base plate ISO 5599-1



	Min. working pressure [bar]	Max. working pressure [bar]	Operational voltage	Voltage tolerance DC	Power consumption DC [W]	Pilot	Throttle	Manual override	Part No.
Closed Center	-0.95	10	24 V	-10% / +10%	0.35	Internal		without detent	5813420720
Closed Center	-0.95	10	24 V	-10% / +10%	0.35	Internal	with throttle	without detent	5813421720
Closed Center	-0.95	10	24 V	-10% / +10%	0.35	Internal		with detent	5813420710
Closed Center	-0.95	10	24 V	-10% / +10%	0.35	Internal	with throttle	with detent	5813421710
Closed Center	-0.95	10	24 V	-10% / +10%	0.35	External		without detent	5813422720
Closed Center	-0.95	10	24 V	-10% / +10%	0.35	External	with throttle	without detent	5813423720
Closed Center	-0.95	10	24 V	-10% / +10%	0.35	External		with detent	5813422710
Closed Center	-0.95	10	24 V	-10% / +10%	0.35	External	with throttle	with detent	5813423710
Closed Center	-0.95	10	24 V	-10% / +10%	0.35	Internal		without detent	5813520720
Closed Center	-0.95	10	24 V	-10% / +10%	0.35	Internal	with throttle	without detent	5813521720
Closed Center	-0.95	10	24 V	-10% / +10%	0.35	Internal		with detent	5813520710
Closed Center	-0.95	10	24 V	-10% / +10%	0.35	Internal	with throttle	with detent	5813521710
Closed Center	-0.95	10	24 V	-10% / +10%	0.35	External		without detent	5813522720
Closed Center	-0.95	10	24 V	-10% / +10%	0.35	External	with throttle	without detent	5813523720
Closed Center	-0.95	10	24 V	-10% / +10%	0.35	External		with detent	5813522710
Closed Center	-0.95	10	24 V	-10% / +10%	0.35	External	with throttle	with detent	5813523710
Pressurized Center	-0.95	10	24 V	-10% / +10%	0.35	Internal		without detent	5813720720
Pressurized Center	-0.95	10	24 V	-10% / +10%	0.35	Internal	with throttle	without detent	5813721720

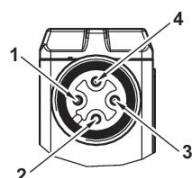
	Min. working pressure [bar]	Max. working pressure [bar]	Operational voltage	Voltage tolerance DC	Power consumption DC [W]	Pilot	Throttle	Manual override	Part No.
Pressurized Center	-0.95	10	24 V	-10% / +10%	0.35	Internal		with detent	5813720710
Pressurized Center	-0.95	10	24 V	-10% / +10%	0.35	Internal	with throttle	with detent	5813721710
Pressurized Center	-0.95	10	24 V	-10% / +10%	0.35	External		without detent	5813722720
Pressurized Center	-0.95	10	24 V	-10% / +10%	0.35	External	with throttle	without detent	5813723720
Pressurized Center	-0.95	10	24 V	-10% / +10%	0.35	External		with detent	5813722710
Pressurized Center	-0.95	10	24 V	-10% / +10%	0.35	External	with throttle	with detent	5813723710

Dimensions



5813420720, 5813421720, 5813420710, 5813421710, 5813422720, 5813423720, 5813422710, 5813423710, 5813520720, 5813521720, 5813520710, 5813521710, 5813522720, 5813523720, 5813522710, 5813523710, 5813720720, 5813721720, 5813720710, 5813721710, 5813722720, 5813723720, 5813722710, 5813723710

Pin assignments



- 1) not assigned
- 2) Coil 12
- 3) 0 V DC
- 4) Coil 14

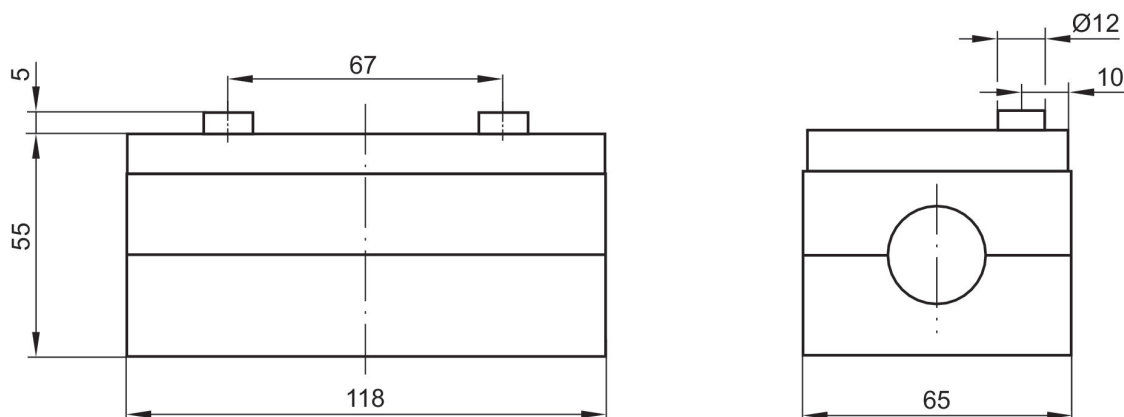
5/2-directional valve, Series 581, size 3

4800 l/min
Double Solenoid
ISO 5599-1
Base plate connection
Pneumatically
Base plate ISO 5599-1
Base plate ISO 5599-1

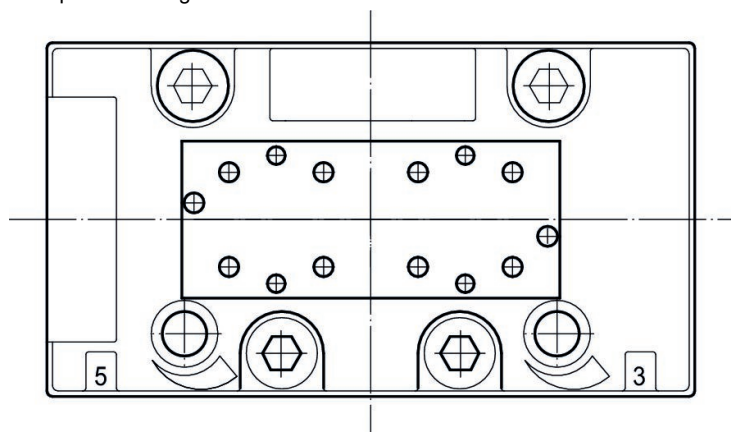


Min. working pressure [bar]	Max. working pressure [bar]	Part No.
-0.95	16	5813230100

Dimensions



Hole pattern for logic modules



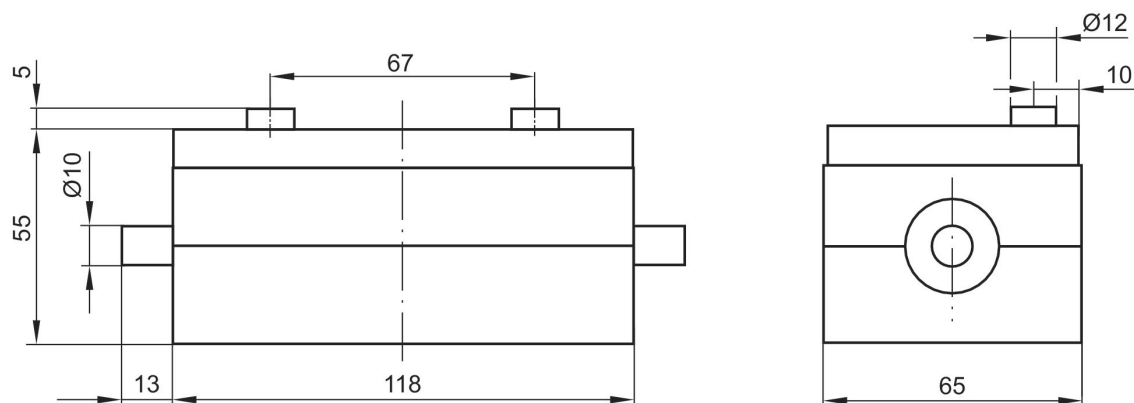
5/2-directional valve, Series 581, size 3

4800 l/min
Double Solenoid
ISO 5599-1
Base plate connection
Pneumatically
Base plate ISO 5599-1
Base plate ISO 5599-1



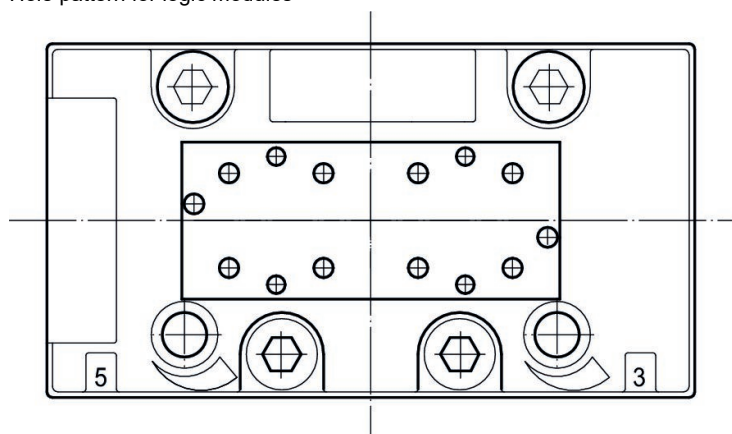
Min. working pressure [bar]	Max. working pressure [bar]	Manual override	Part No.
-0.95	16	with detent	5813330100

Dimensions



With manual override

Hole pattern for logic modules



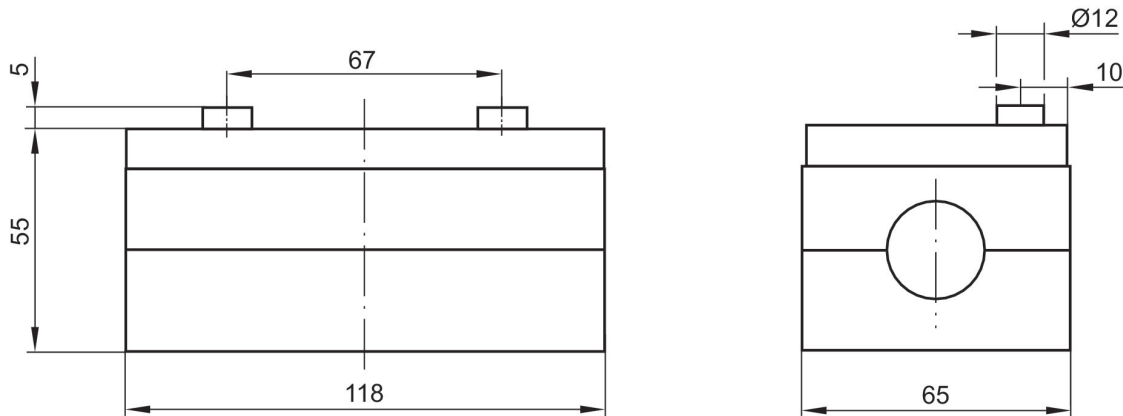
5/2-directional valve, Series 581, size 3

4800 l/min
ISO 5599-1
Base plate connection
Pneumatically
Base plate ISO 5599-1
Base plate ISO 5599-1

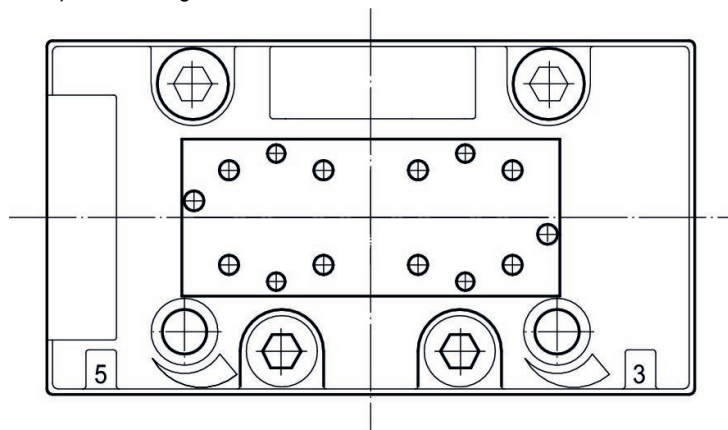


Min. working pressure [bar]	Max. working pressure [bar]	Part No.
-0.95	16	5813130100

Dimensions



Hole pattern for logic modules



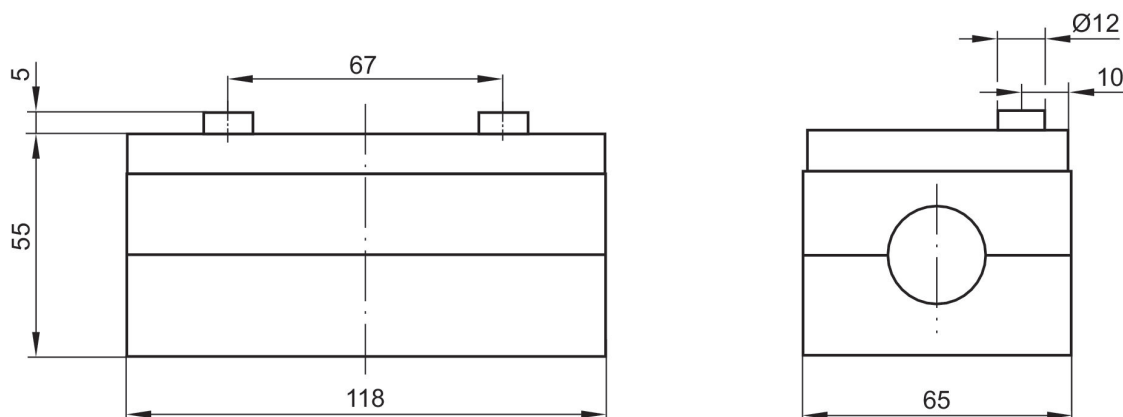
5/2-directional valve, Series 581, size 3

4800 l/min
ISO 5599-1
Base plate connection
Pneumatically
Base plate ISO 5599-1
Base plate ISO 5599-1

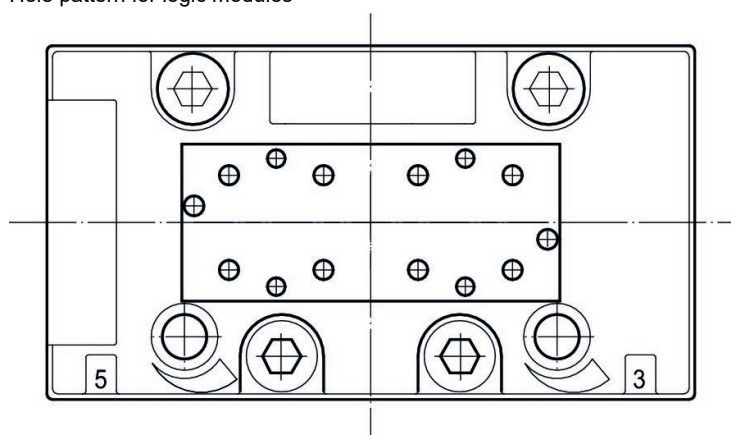


Min. working pressure [bar]	Max. working pressure [bar]	Part No.
-0.95	16	5813630100

Dimensions



Hole pattern for logic modules



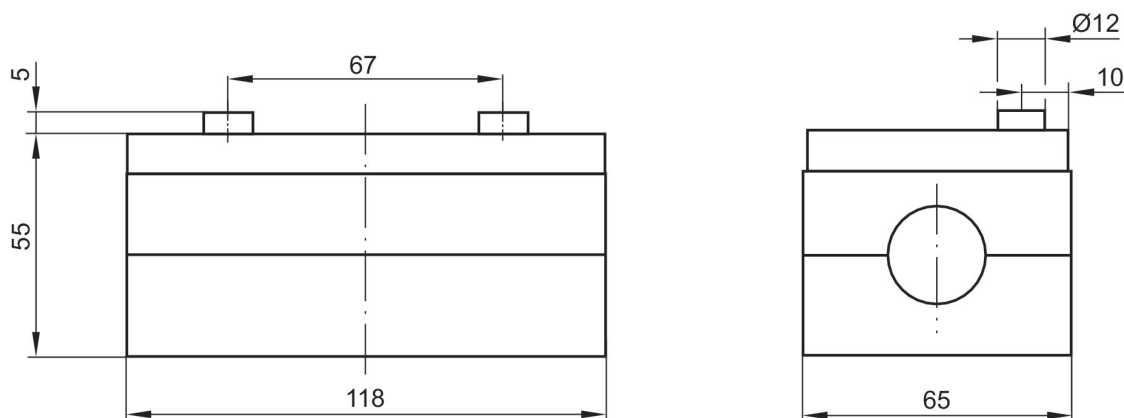
5/2-directional valve, Series 581, size 3

4800 l/min
Double Solenoid
ISO 5599-1
Base plate connection
Pneumatically
Base plate ISO 5599-1
Base plate ISO 5599-1

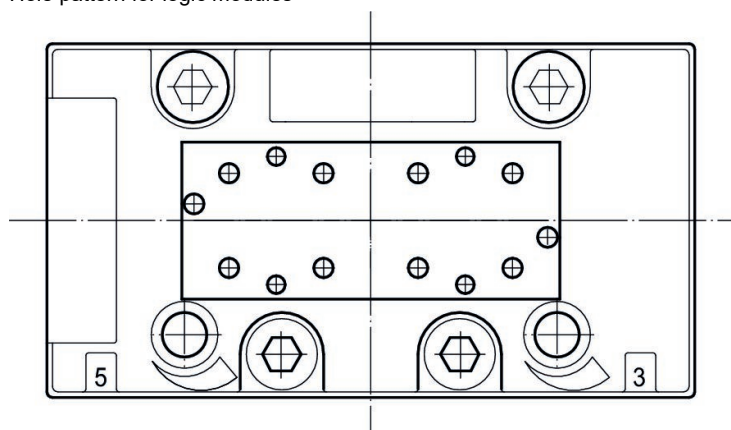


Min. working pressure [bar]	Max. working pressure [bar]	Throttle	Part No.
-0.95	16		5813230000
-0.95	16		5813240000
-0.95	16	with throttle	5813231000
-0.95	16	with throttle	5813241000

Dimensions



Hole pattern for logic modules



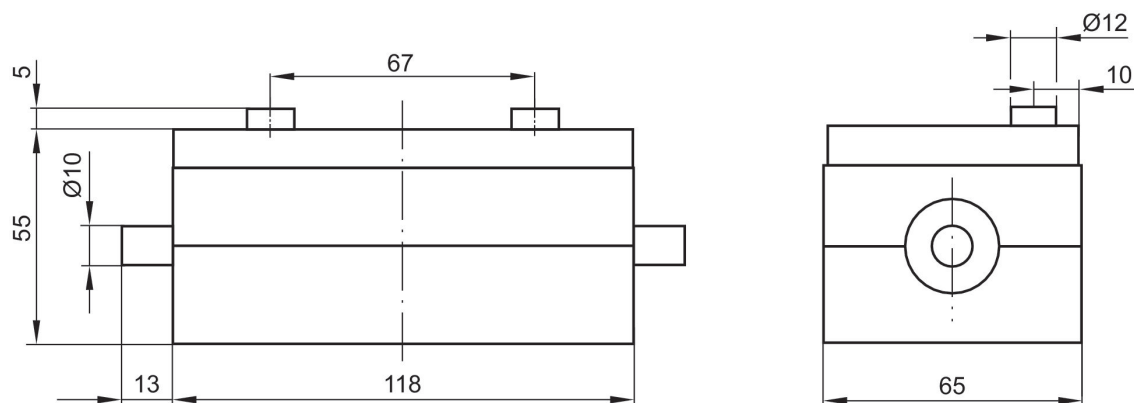
5/2-directional valve, Series 581, size 3

4800 l/min
Double Solenoid
ISO 5599-1
Base plate connection
Pneumatically
Base plate ISO 5599-1
Base plate ISO 5599-1



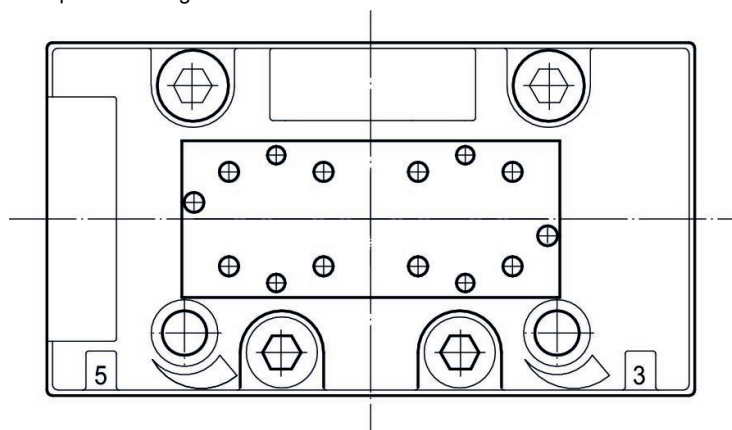
Min. working pressure [bar]	Max. working pressure [bar]	Throttle	Manual override	Part No.
-0.95	16		with detent	5813330000
-0.95	16		with detent	5813340000
-0.95	16	with throttle	with detent	5813331000
-0.95	16	with throttle	with detent	5813341000

Dimensions



With manual override

Hole pattern for logic modules



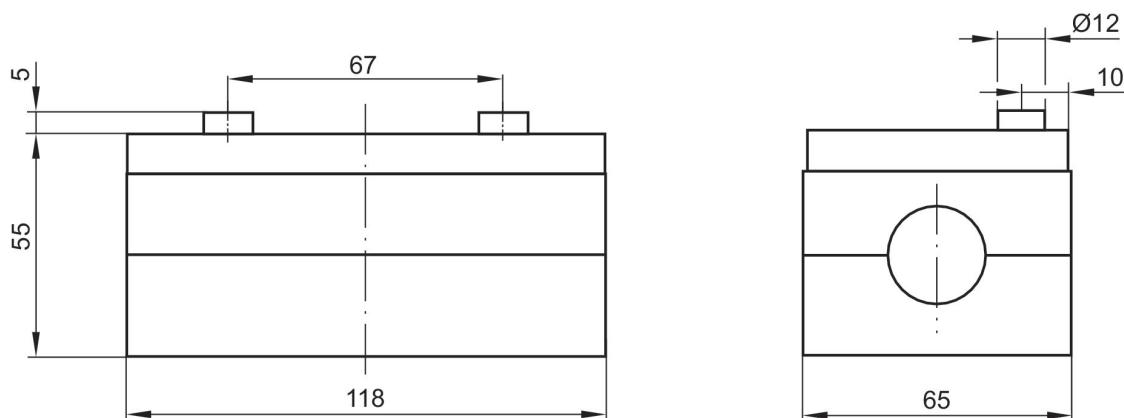
5/2-directional valve, Series 581, size 3

4800 l/min
ISO 5599-1
Base plate connection
Pneumatically
Base plate ISO 5599-1
Base plate ISO 5599-1

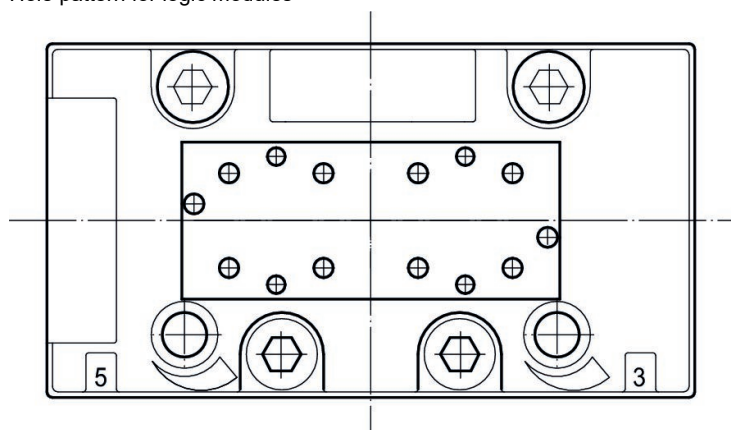


Min. working pressure [bar]	Max. working pressure [bar]	Throttle	Part No.
-0.95	16		5813130000
-0.95	16		5813140000
-0.95	16	with throttle	5813131000
-0.95	16	with throttle	5813141000

Dimensions



Hole pattern for logic modules



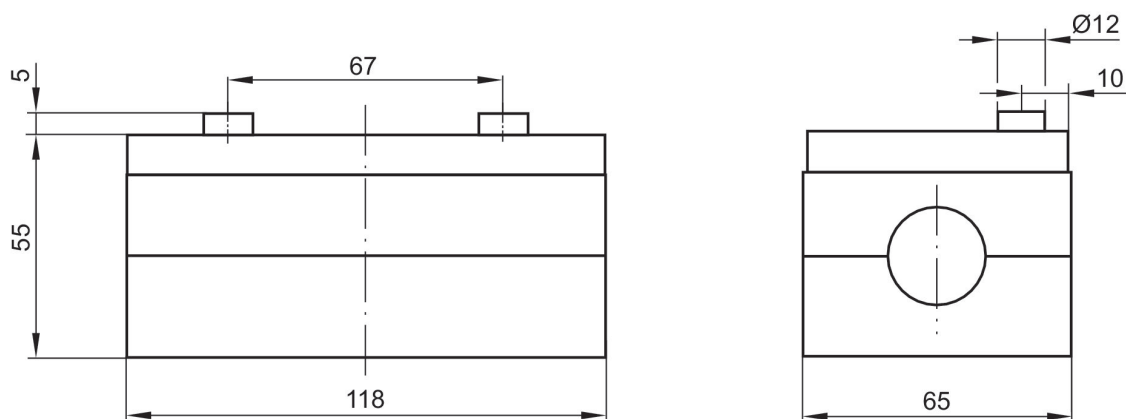
5/2-directional valve, Series 581, size 3

4800 l/min
ISO 5599-1
Base plate connection
Pneumatically
Base plate ISO 5599-1
Base plate ISO 5599-1

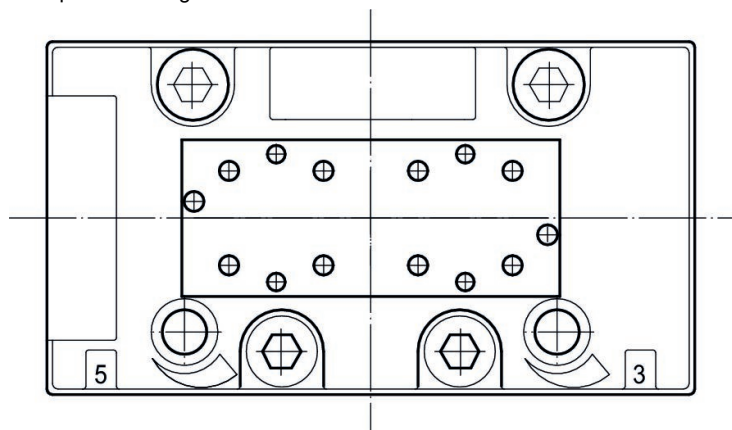


Min. working pressure [bar]	Max. working pressure [bar]	Throttle	Part No.
-0.95	16		5813630000
-0.95	16		5813640000
-0.95	16	with throttle	5813631000
-0.95	16	with throttle	5813641000

Dimensions



Hole pattern for logic modules



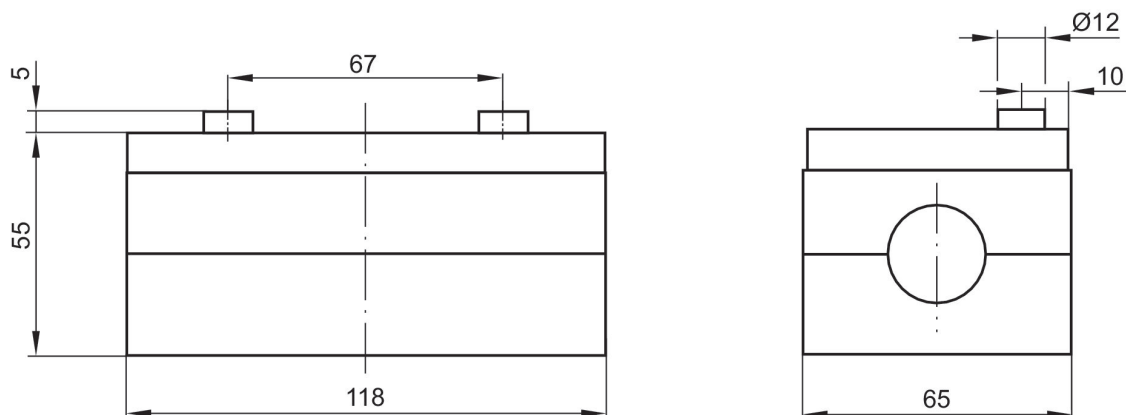
5/3-directional valve, Series 581, size 3

4100 l/min
ISO 5599-1
Base plate connection
Pneumatically
Base plate ISO 5599-1
Base plate ISO 5599-1

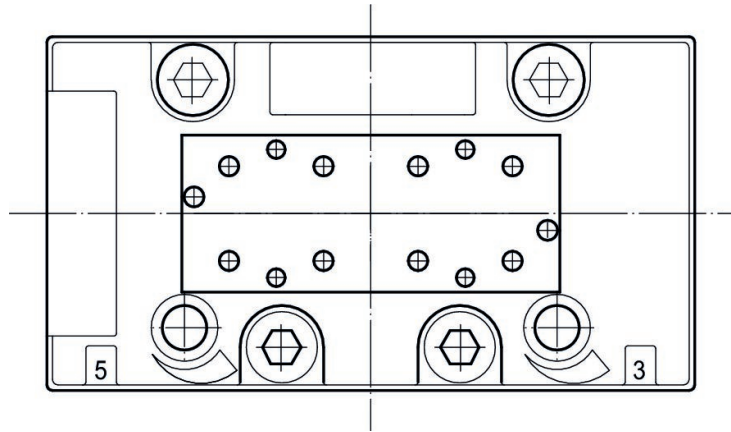


	Min. working pressure [bar]	Max. working pressure [bar]	Throttle	Part No.
Closed Center	-0.95	16		5813430000
Closed Center	-0.95	16		5813440000
Closed Center	-0.95	16	with throttle	5813431000
Closed Center	-0.95	16	with throttle	5813441000
Exhausted Center	-0.95	16		5813530000
Exhausted Center	-0.95	16		5813540000
Exhausted Center	-0.95	16	with throttle	5813531000
Exhausted Center	-0.95	16	with throttle	5813541000
Pressurized Center	-0.95	16		5813730000
Pressurized Center	-0.95	16		5813740000
Pressurized Center	-0.95	16	with throttle	5813731000
Pressurized Center	-0.95	16	with throttle	5813741000

Dimensions



Hole pattern for logic modules



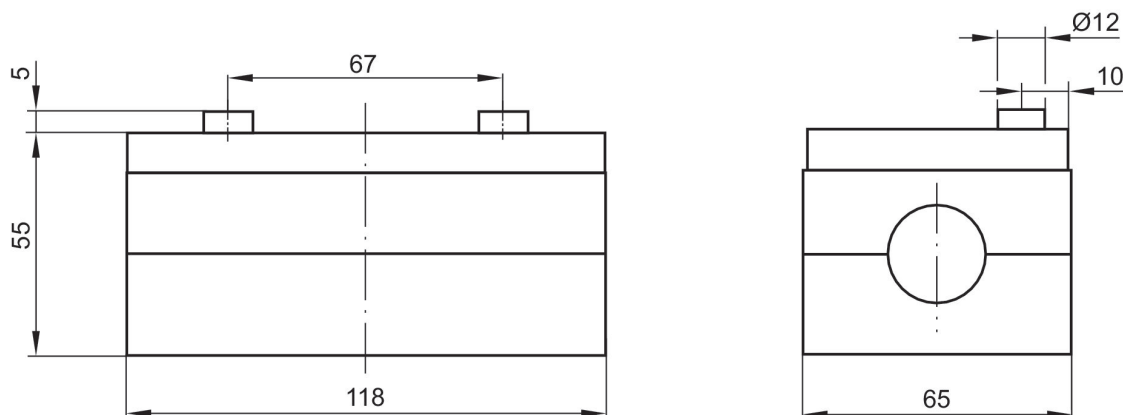
5/3-directional valve, Series 581, size 3

4100 l/min
ISO 5599-1
Base plate connection
Pneumatically
Base plate ISO 5599-1
Base plate ISO 5599-1

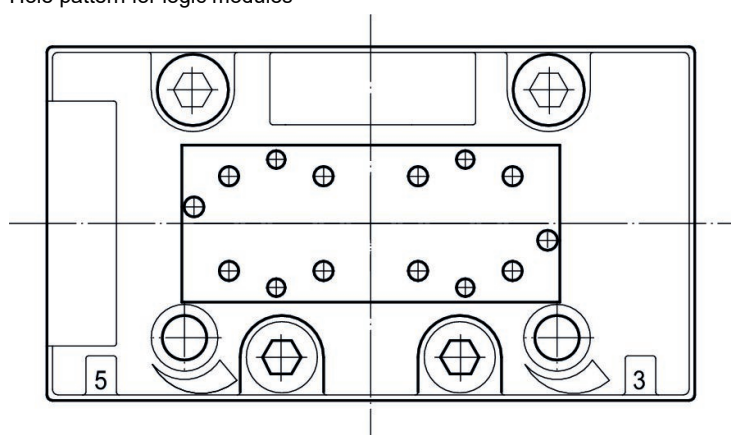


	Min. working pressure [bar]	Max. working pressure [bar]	Part No.
Closed Center	-0.95	16	5813430100
Exhausted Center	-0.95	16	5813530100
Pressurized Center	-0.95	16	5813730100

Dimensions

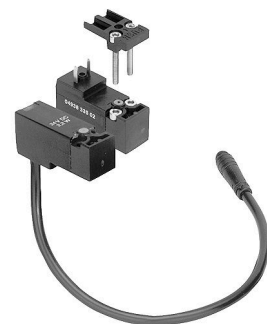


Hole pattern for logic modules



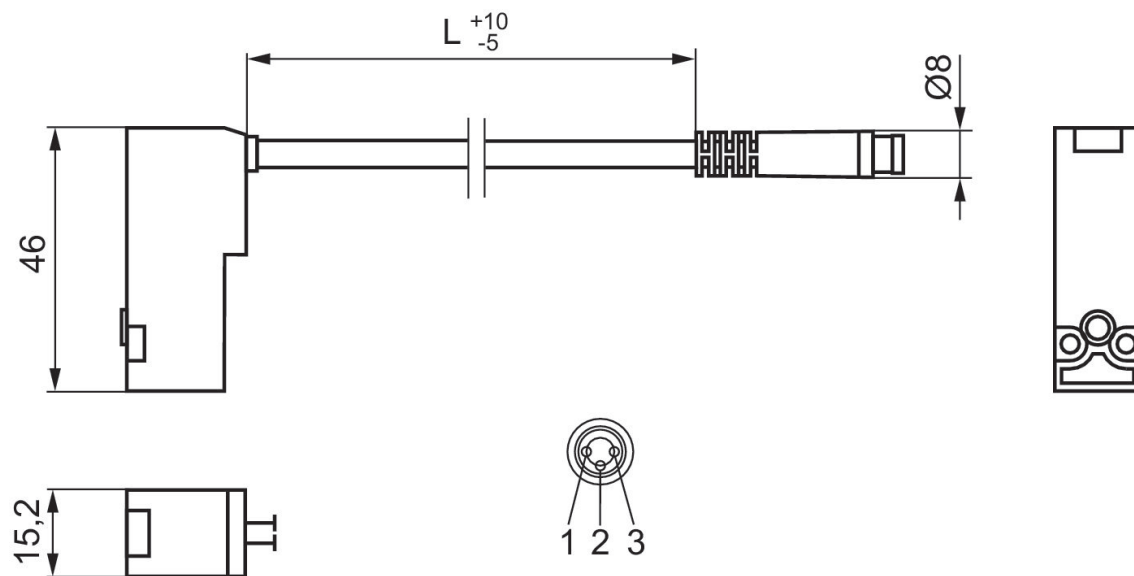
Pilot valve

Electrically



Min. working pressure [bar]	Max. working pressure [bar]	Operational voltage	Power consumption DC [W]	Manual override	Part No.
0	10	24 V	2.2	without detent	0493833308
0	10	24 V	2.2	without detent	0493832506
0	10	24 V	2.2	without detent	0493833103
0	10	24 V	2.2	without detent	0493838601

Dimensions



Pin assignment 1) +24 V 2) ground 3) 0 V

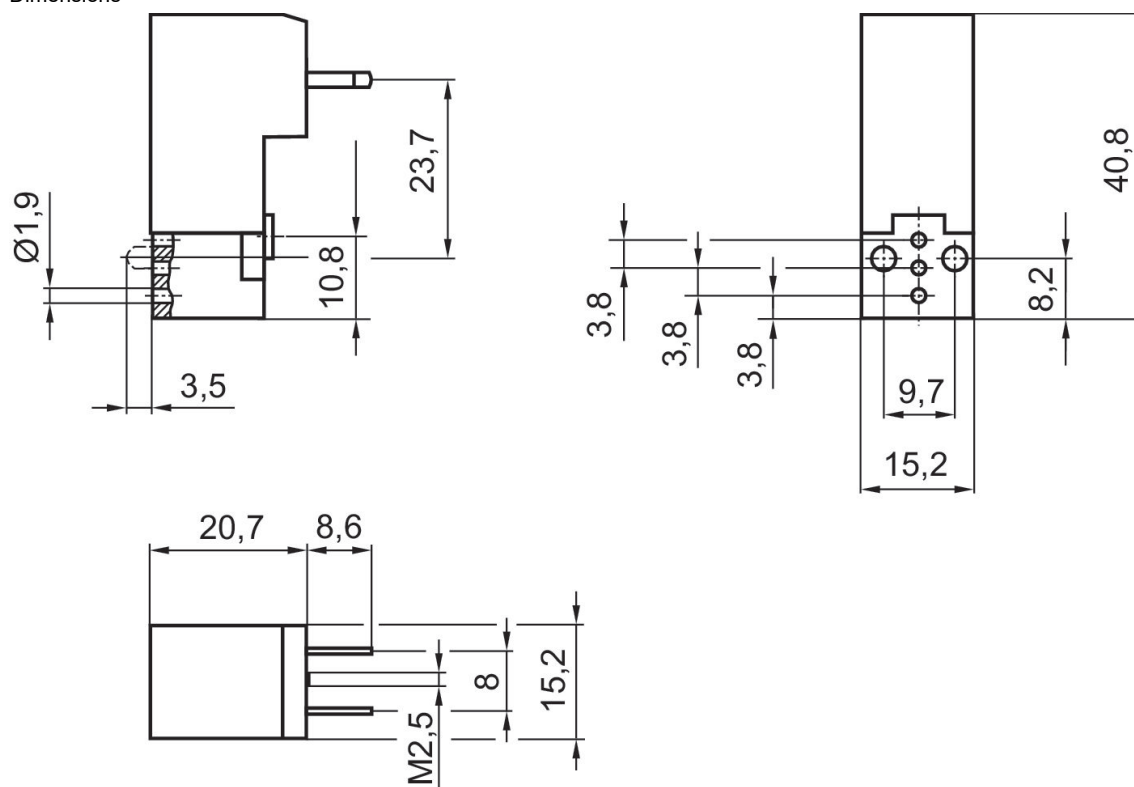
Pilot valve

Electrically



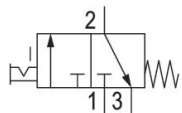
Min. working pressure [bar]	Max. working pressure [bar]	Operational voltage	Power consumption DC [W]	Manual override	Part No.
0	10	24 V	2	without detent	0493833502

Dimensions



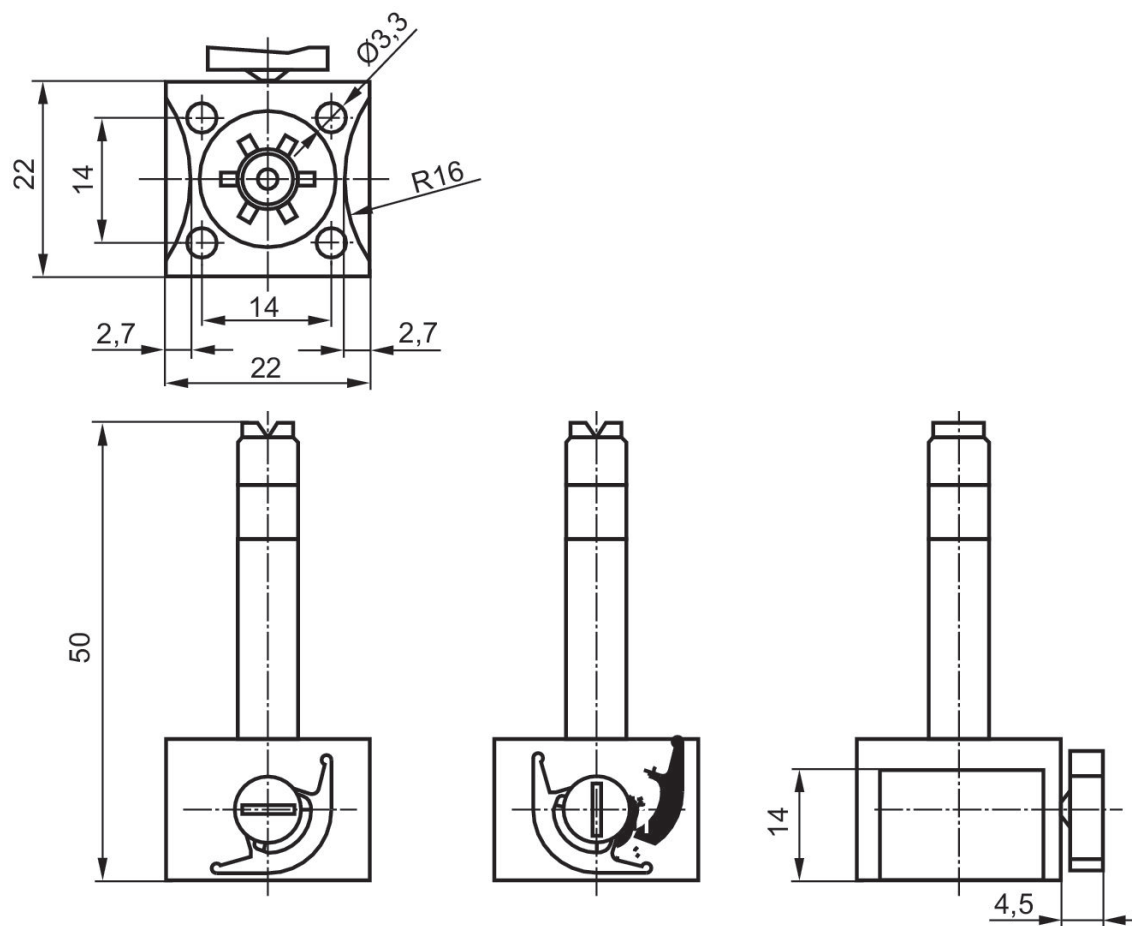
Pilot valve

Electrically



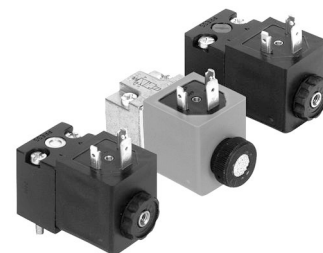
Min. working pressure [bar]	Max. working pressure [bar]	Operational voltage	Operational voltage	Operational voltage	Power consumption DC [W]	Manual override	Part No.
0	10	24 V	230 V	110 V	5	with detent	0493818805
0	10	24 V			2	with detent	0493818902

Dimensions



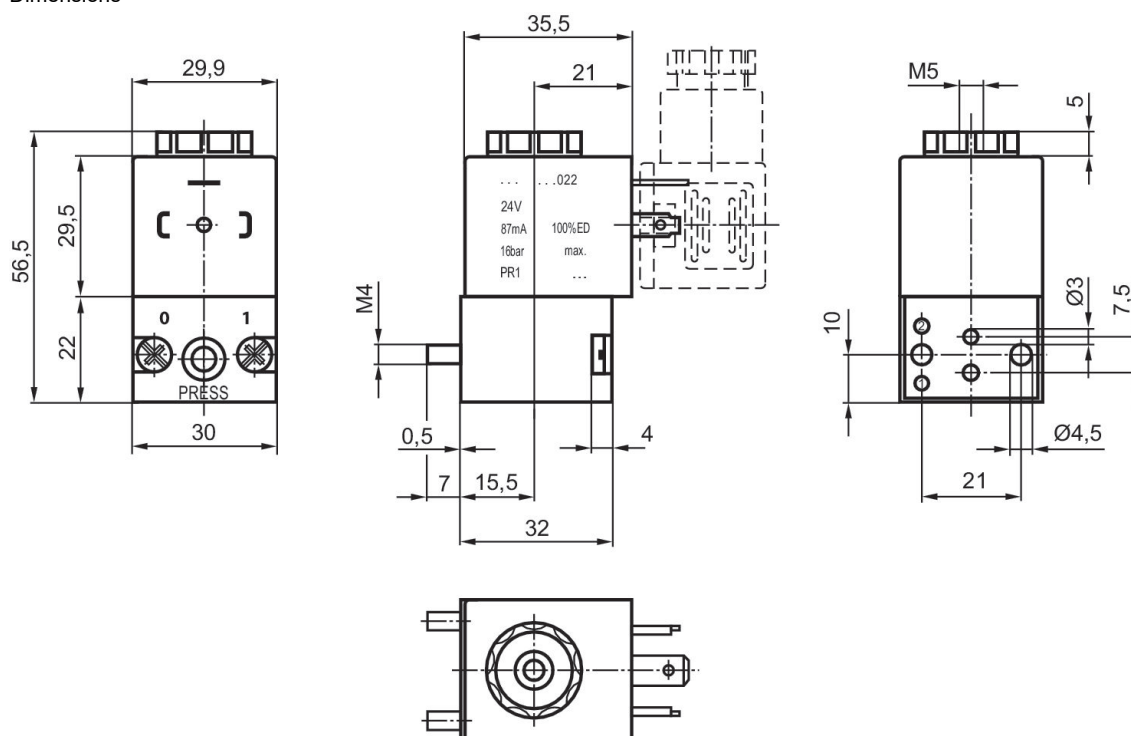
Pilot valve

CNOMO / NFE 49-003-1
Electrically



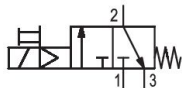
Min. working pressure [bar]	Max. working pressure [bar]	Operational voltage	Operational voltage	Voltage tolerance DC	Power consumption DC [W]	Part No.
0	10		230 V			5428110080
0	10	24 V		-10% / +10%	2	5420890020
0	16	24 V		-10% / +10%	6.7	5420850020
0	16		230 V			5428150080
0	10	48 V		-10% / +10%	2	5420890030
0	10	110 V		-10% / +10%	2	5420890070
0	10	220 V		-10% / +10%	2	5420890080
0	10		24 V			5428110020
0	10		48 V			5428110040
0	10		110 V			5428110070

Dimensions



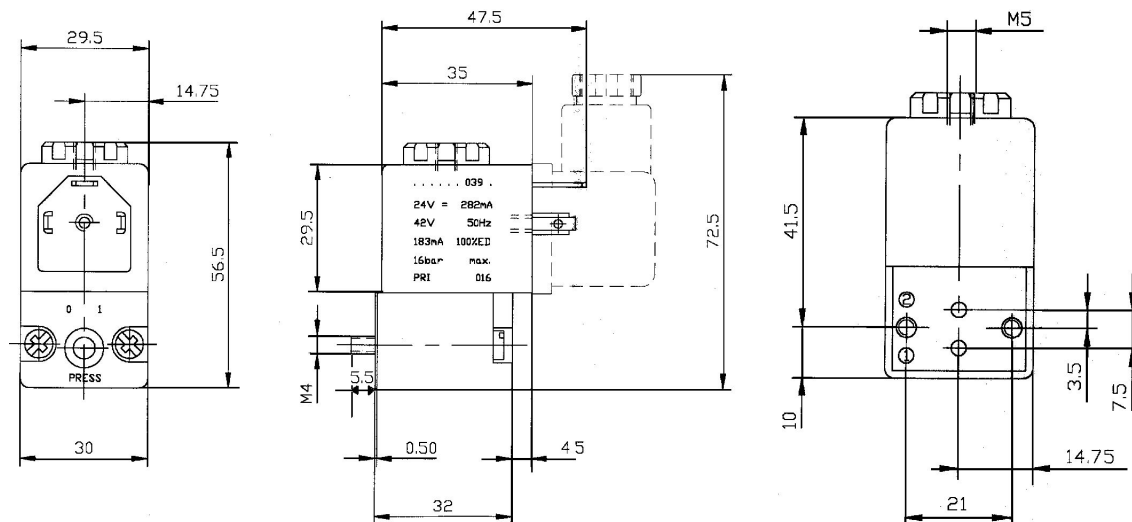
3/2-directional valve

Electrically



Operational voltage	Power consumption DC [W]	Manual override	Part No.
24 V DC	6.7	without detent	5420800390
230 V AC		without detent	5428200380
110 V AC		without detent	5428200370

Dimensions



3/2-directional valve, Series DO30

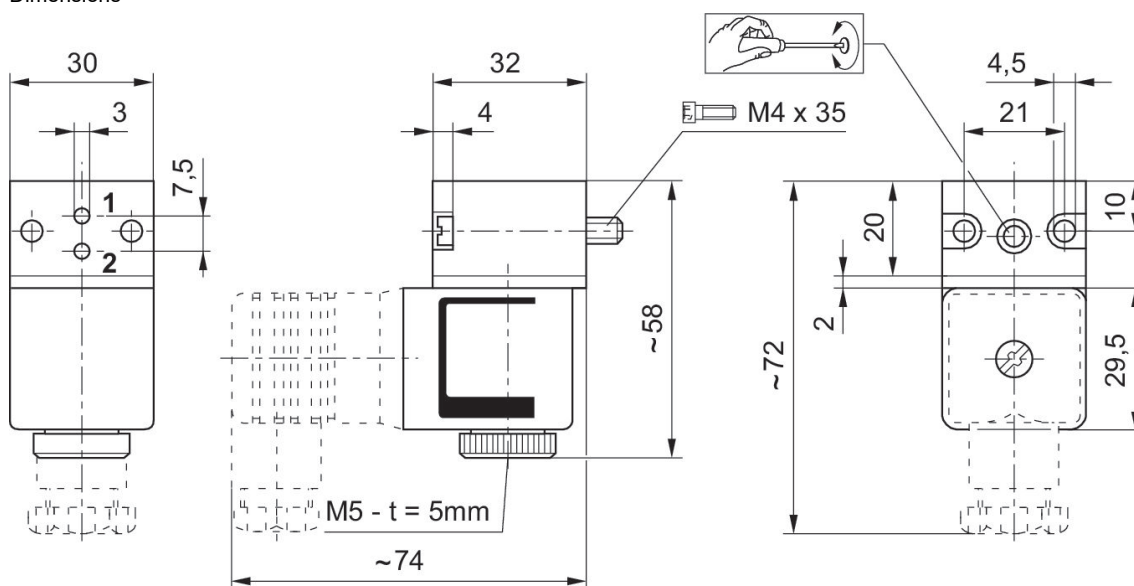
CNOMO / NFE 49-003-1
Plug
EN 175301-803, form A
flange
Internal thread
Electrically



Valve function	Basic valve equipment	Switching principle	Compressed air connection	Operational voltage	Power consumption DC [W]	Manual override	Nominal flow Qn 1 to 2 [l/min]	Compatibility index	Part No.
NC		3/2, with spring return	CNOMO	24 V AC		without detent	68	15	0820019527
NC		3/2, with spring return	CNOMO	24 V DC	4.5	without detent	68	15	0820019526
NC		3/2, with spring return	CNOMO	24 V DC	2.7	without detent	54	14	0820019529
NC		3/2, with spring return	CNOMO	110 V AC		without detent	68	15	0820019528
NC		3/2, with spring return	CNOMO	230 V AC		without detent	68	15	0820019525
NC	Basic valve without coil	3/2, with spring return	CNOMO			without detent	68	15	0820019985
NC	Basic valve without coil	3/2, with spring return	CNOMO			without detent	54	14	0820019986
NC	Basic valve without coil	3/2, with spring return	CNOMO			without detent	72	15	0820019987
NC	Basic valve without coil	3/2, with spring return	CNOMO			with detent	72	15	0820019982
NC		3/2, with spring return	CNOMO	24 V AC		with detent	65	15	0820019502
NC		3/2, with spring return	CNOMO	24 V DC	4.5	with detent	65	15	0820019501
NC		3/2, with spring return	CNOMO	24 V DC	2.7	with detent	54	14	0820019504
NC		3/2, with spring return	CNOMO	110 V AC		with detent	65	15	0820019503

Valve function	Basic valve equipment	Switching principle	Compressed air connection	Operational voltage	Power consumption DC [W]	Manual override	Nominal flow Qn 1 to 2 [l/min]	Compatibility index	Part No.
NC		3/2, with spring return	CNOMO	230 V AC		with detent	65	15	0820019500
NC	Basic valve without coil	3/2, with spring return	CNOMO			with detent	65	15	0820019980
NC	Basic valve without coil	3/2, with spring return	CNOMO			with detent	54	14	0820019981

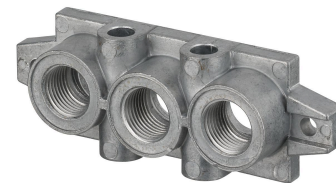
Dimensions



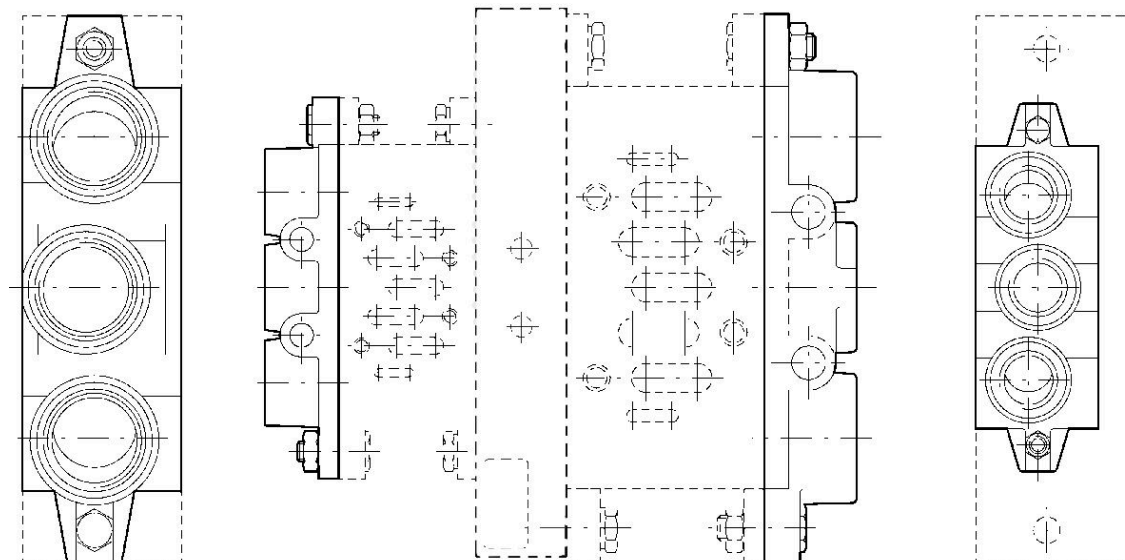
t = depth

End plates for adapter plate

ISO 5599-1
Internal thread



Frame size	Part No.
ISO 1, ISO 3	1825503243
ISO 2, ISO 3	1825503245



	A	B	C	C1	D	D1	E1	E2	F2	G1
ISO 1	7	G 3/8	8	6	24	28	11	22	Ø 5,5	110
ISO 2	9	G 1/2	11	8	31,5	35	13	26	Ø 6,6	135
ISO 3	12	G 1	12	8	47	52	15	32	Ø 9	190

	H1	H2	H3	J	K	L	M	N	O	P
95	22	22	46	28	28	85	6	2	8	24
115	23	24	47	34	34	100	8	2	11	31,5
168	22	25	56	52	52	140	8	2,7	12	47

R
Ø 22,1
Ø 28,7

R
Ø 38

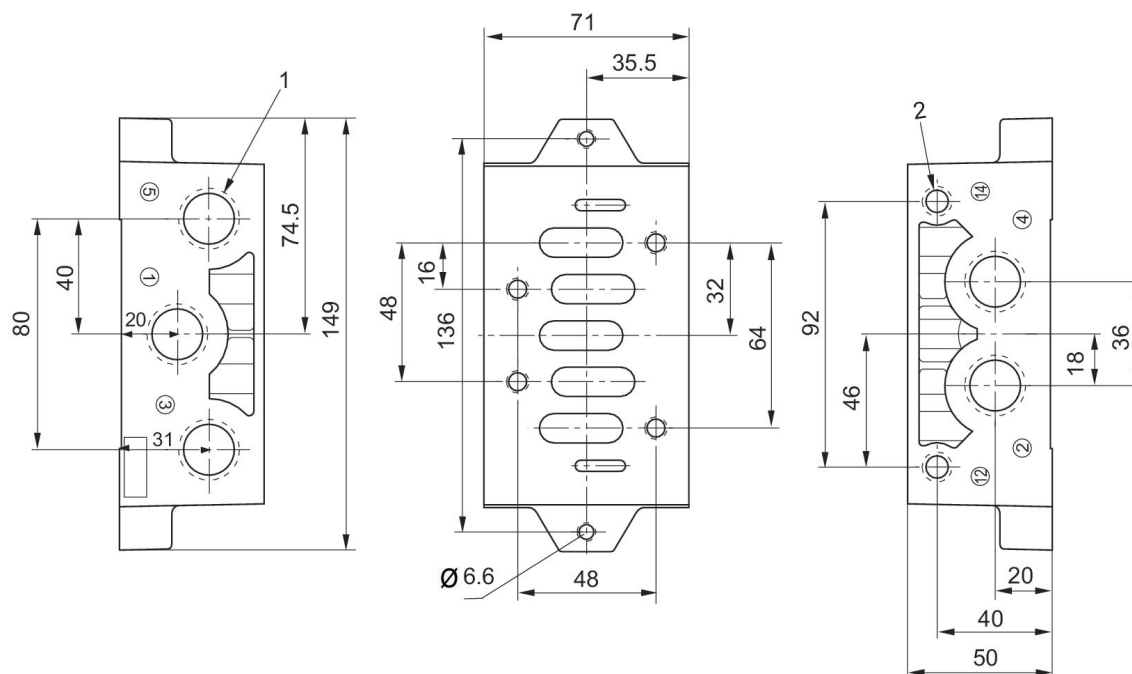
Base plate

ISO 5599-1
HV30
581, ISO 3
Internal thread



Frame size	Compressed air connection input	Compressed air connection output	Compressed air connection, exhaust	Part No.
ISO 3	G 3/4	G 3/4	G 3/4	R432009166

Dimensions in mm



- 1) Connections [1, 3, 5, 2, 4]
- 2) Connections [12, 14] G 1/8

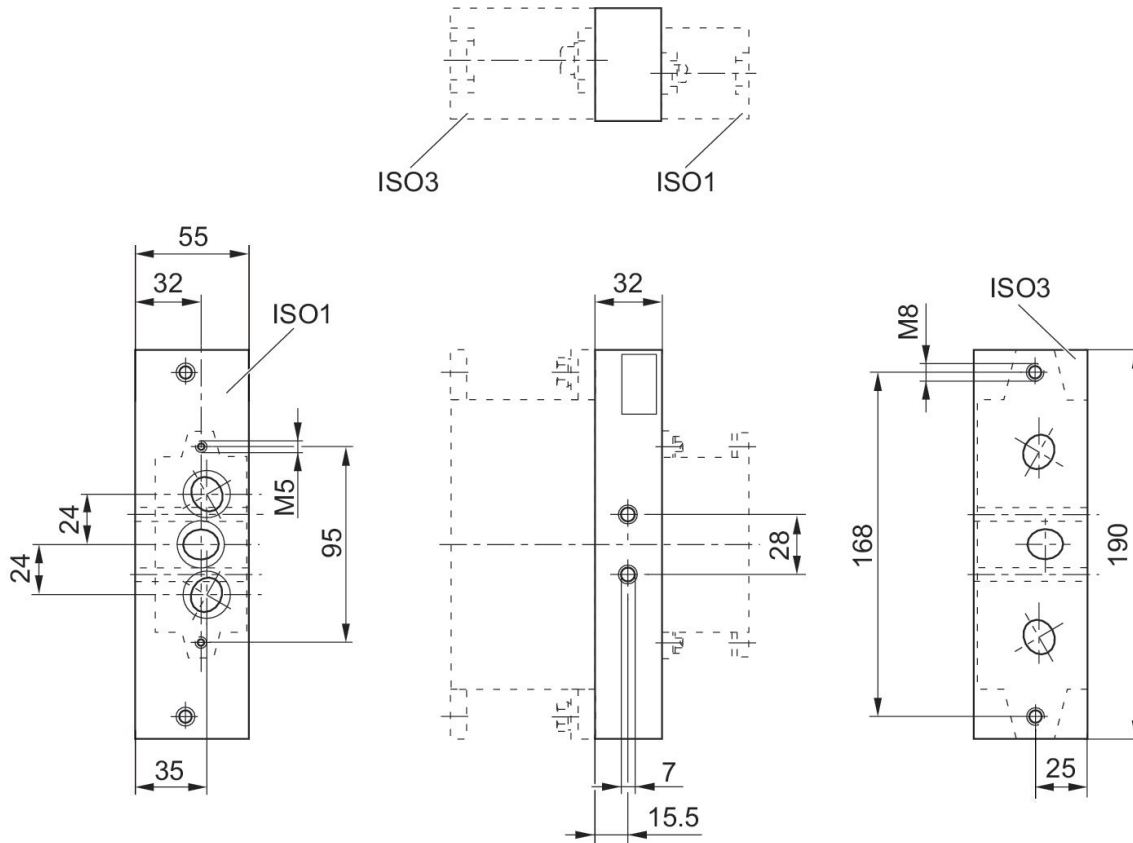
Transition plate

ISO 5599-1



Frame size	Part No.
ISO 1 > ISO 3	1825503166

Dimensions



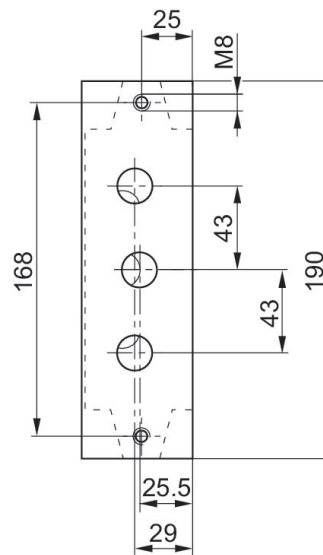
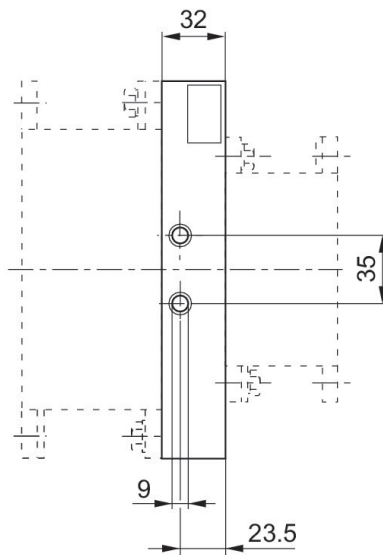
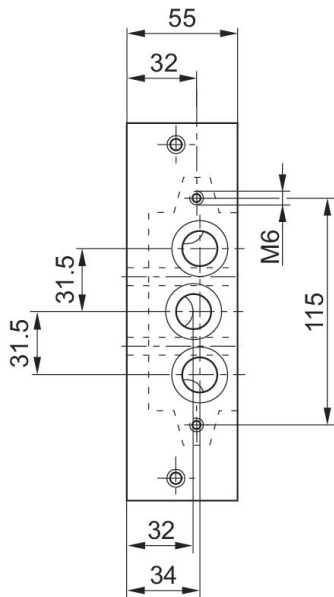
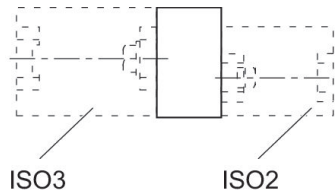
Transition plate

ISO 5599-1



Frame size	Part No.
ISO 2 > ISO 3	1825503165

Dimensions



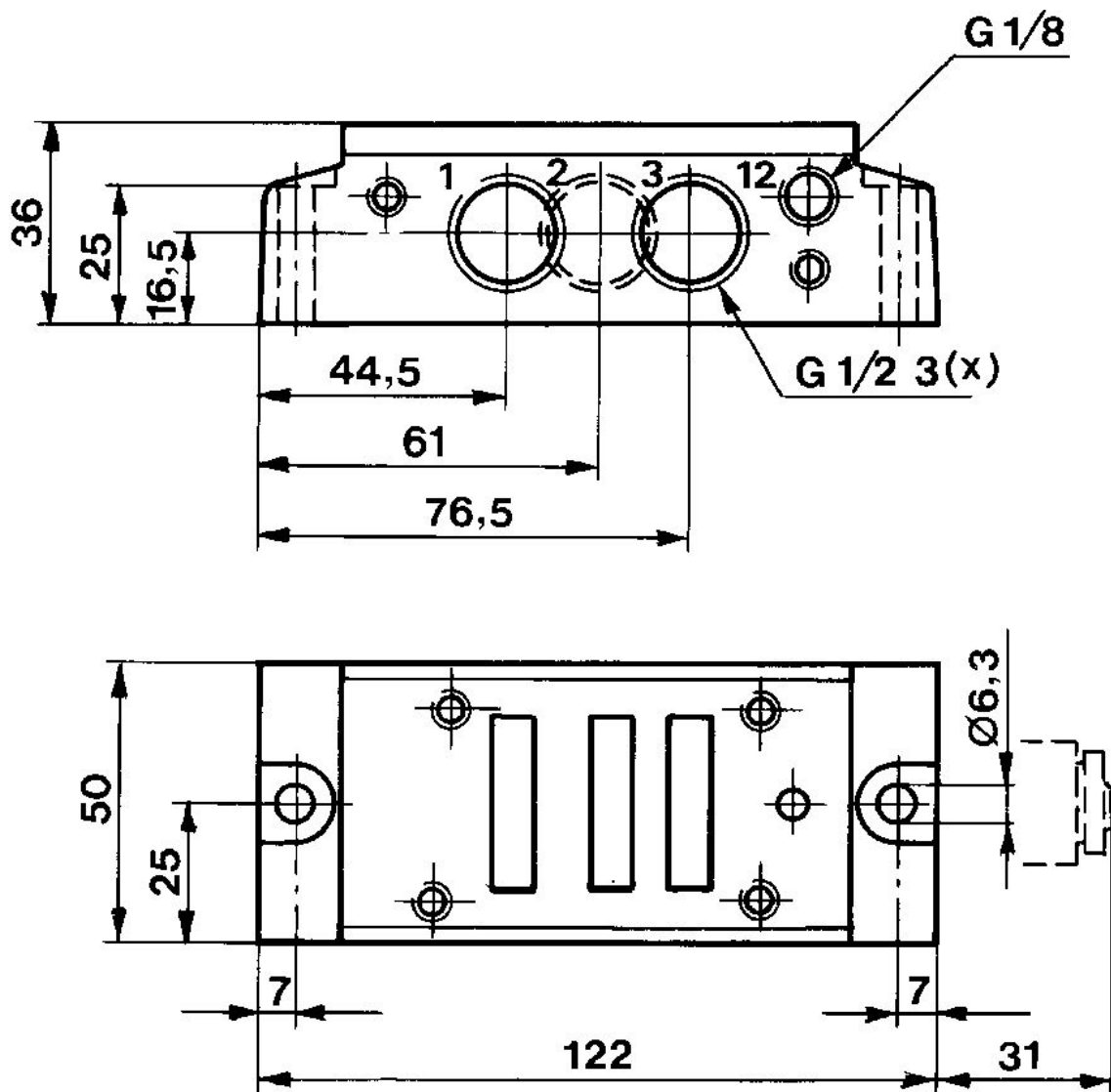
Single subbase, for soft-start valve

Internal thread
G 1/2
G 1/2



Compressed air connection input	Compressed air connection output	Compressed air connection, exhaust	Compressed air connection pilot air	Max. number of valve positions	Part No.
G 1/2	G 1/2	G 1/2	G 1/8	1	5834710000

Dimensions



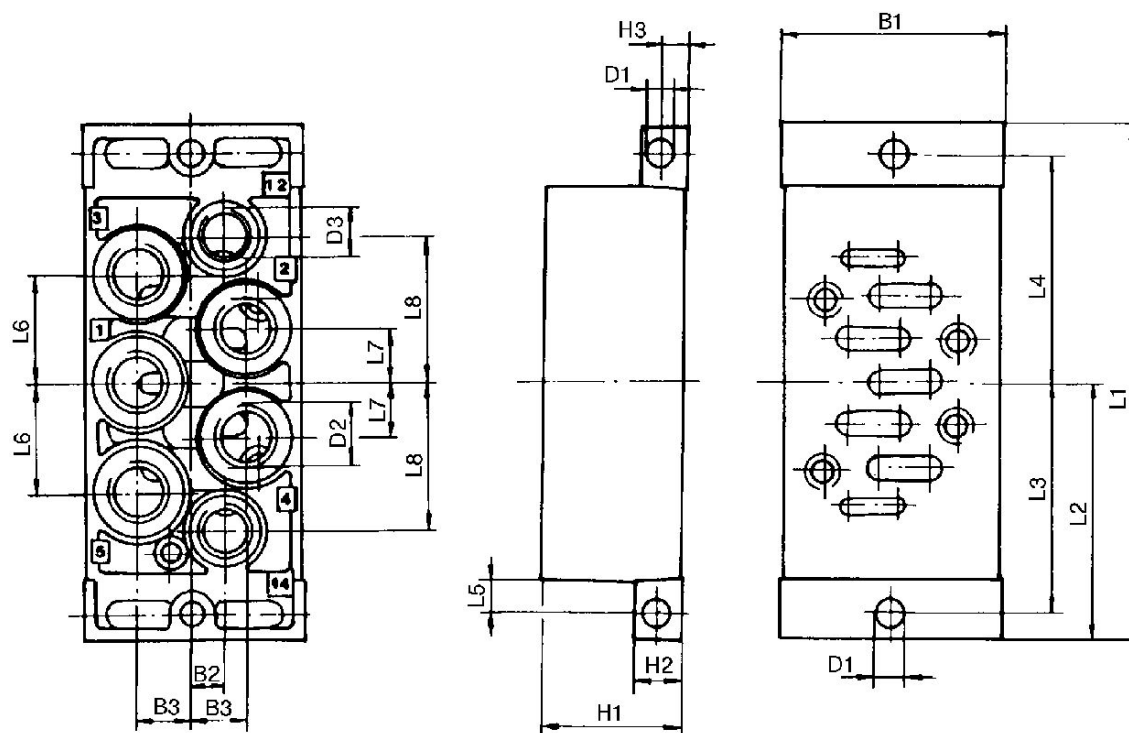
Single subbase, thread connections on the bottom

ISO 5599-1
Internal thread



Frame size	Compressed air connection input	Compressed air connection output	Compressed air connection, exhaust	Compressed air connection pilot air	Max. number of valve positions	Part No.
ISO 3	G 1/2	G 1/2	G 1/2	G 1/8	1	1825503203

Dimensions



Part No.	B1	B2	B3	D1	D2 *)	D3 *)	H1	H2	H3	L1
1825503201	46	7	11.5	5.5	G 1/4	G 1/8	30	10	5	110
1825503202	56	8	13,5	6,6	G 3/8	G 1/8	35	13	6,5	124
1825503203	77	10	17	6.6	G 1/2	G 1/8	32	18	9	149

L2	L3	L4	L5	L6	L7	L8
55	49	49	7	23	11,5	31
62	56	56	8,5	28	14	36,5

L2	L3	L4	L5	L6	L7	L8
74.5	68	68	8.5	34	17	45

*) Ports

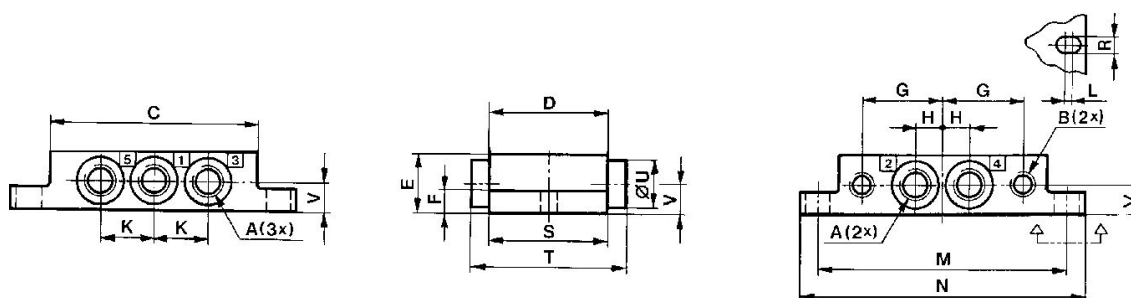
Single subbase, ports on side

ISO 5599-1



Frame size	Compressed air connection input	Compressed air connection output	Compressed air connection, exhaust	Compressed air connection pilot air	Max. number of valve positions	Part No.
ISO 3	G 3/8	G 3/8	G 3/8	G 1/8	1	5803710000

Dimensions



Part No.	A *)	B *)	C	D	E	F	G	H	K	L
5801710000	G 1/8	G 1/8	70	40	20	8	26.5	9	18	2
5801740000	G 1/4	G 1/8	70	40	23	11	31.5	11.5	23	2
5801810000	Ø 6	Ø 4	70	40	20	8	26.5	9	18	2
5801770000	Ø 8	Ø 6	70	40	23	10	31.5	11.5	23	2
5802710000	G 1/4	G 1/8	86	52	23	8	34	12	24	2
5802740000	G 3/8	G 1/8	86	50	30	13	39	15	30	2
5802810000	Ø 8	Ø 6	86	52	23	8	34	12	24	2
5803710000	G 3/8	G 1/8	118	65	32	10	45	16	32	2
5804710000	G 1/2	G 1/8	142	76	37	10	55.5	20	40	2

M	N	R	S	T	U	V
84	96	5.4	40	-	-	10
96	110	5.4	46	64	21	12
84	96	5.4	40	-	-	10
96	110	5.4	46	64	21	12
102	115	6.4	52	-	-	11.5
111	124	6.4	56	80	27	16
102	115	6.4	52	-	-	11.5

M	N	R	S	T	U	V
138	153	8.4	65	-	-	17.5
175	190	8.4	76	-	-	21

*) Ports

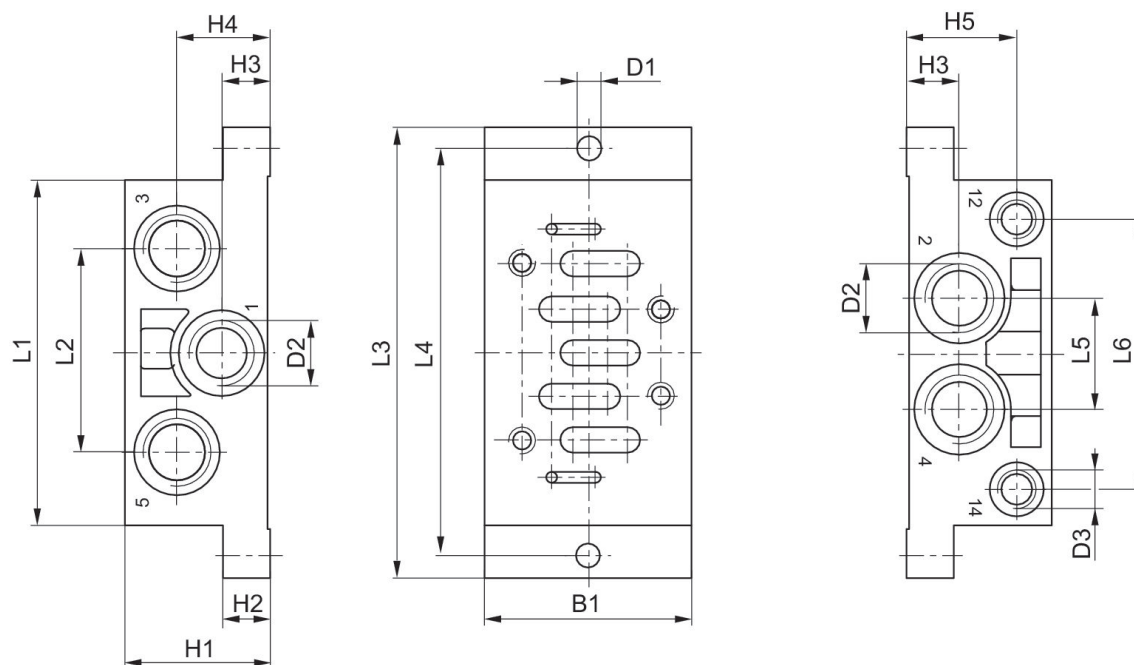
Single subbase, thread connections on the side

ISO 5599-1
Internal thread



Frame size	Compressed air connection input	Compressed air connection output	Compressed air connection, exhaust	Compressed air connection pilot air	Max. number of valve positions	Part No.
ISO 3	G 1/2	G 1/2	G 1/2	G 1/8	1	1825503149

8985041104



Part No.	B1	H1	H2	H3	H4	H5	D1	D2 *)	D3 *)	L1
1825503143	48	32	10	11,5	21,5	23,5	5,5	G 1/4	G 1/8	84
1825503146	57	40	13	14	26	30	6,6	G 3/8	G 1/8	95
1825503149	71	32	18	17	17	22	6,6	G 1/2	G 1/8	119
8985041404	85	42	19	22	22	30	9	G 3/4	G 1/8	148

L2	L3	L4	L5	L6
43	110	98	24	58
56	124	112	30	74
68	149	136	32	90

L2	L3	L4	L5	L6
90	186	170	42	111

*) Ports

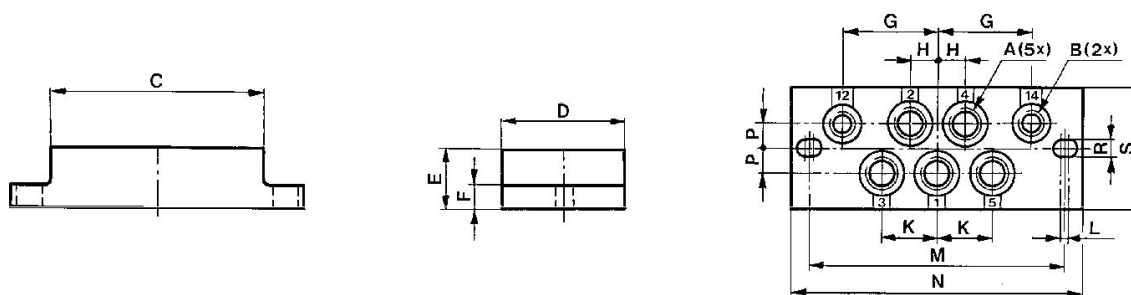
Single subbase, ports on bottom

ISO 5599-1



Frame size	Compressed air connection input	Compressed air connection output	Compressed air connection, exhaust	Compressed air connection pilot air	Max. number of valve positions	Part No.
ISO 3	G 3/8	G 3/8	G 3/8	G 1/8	1	5803700000

Dimensions



Part No.	A *)	B *)	C	D	E	F	G	H	K	L
5801700000	G1/8	G1/8	70	40	20	8	26.5	9	18	2
5801800000	Ø 6	Ø 4	70	40	20	8	26.5	9	18	2
5802700000	G1/4	G1/8	86	52	22	8	34	12	24	2
5802800000	Ø 8	Ø 6	86	52	22	8	34	12	24	2
5803700000	G3/8	G1/8	118	65	32	10	45	16	32	2
5804700000	G1/2	G1/8	142	76	37	10	55.5	20	40	2

M	N	P	R	S
84	96	8	5.4	40
84	96	8	5.4	40
102	115	10	6.4	52
102	115	10	6.4	52
138	153	11	8.4	65
175	190	13	8.4	76

*) Ports

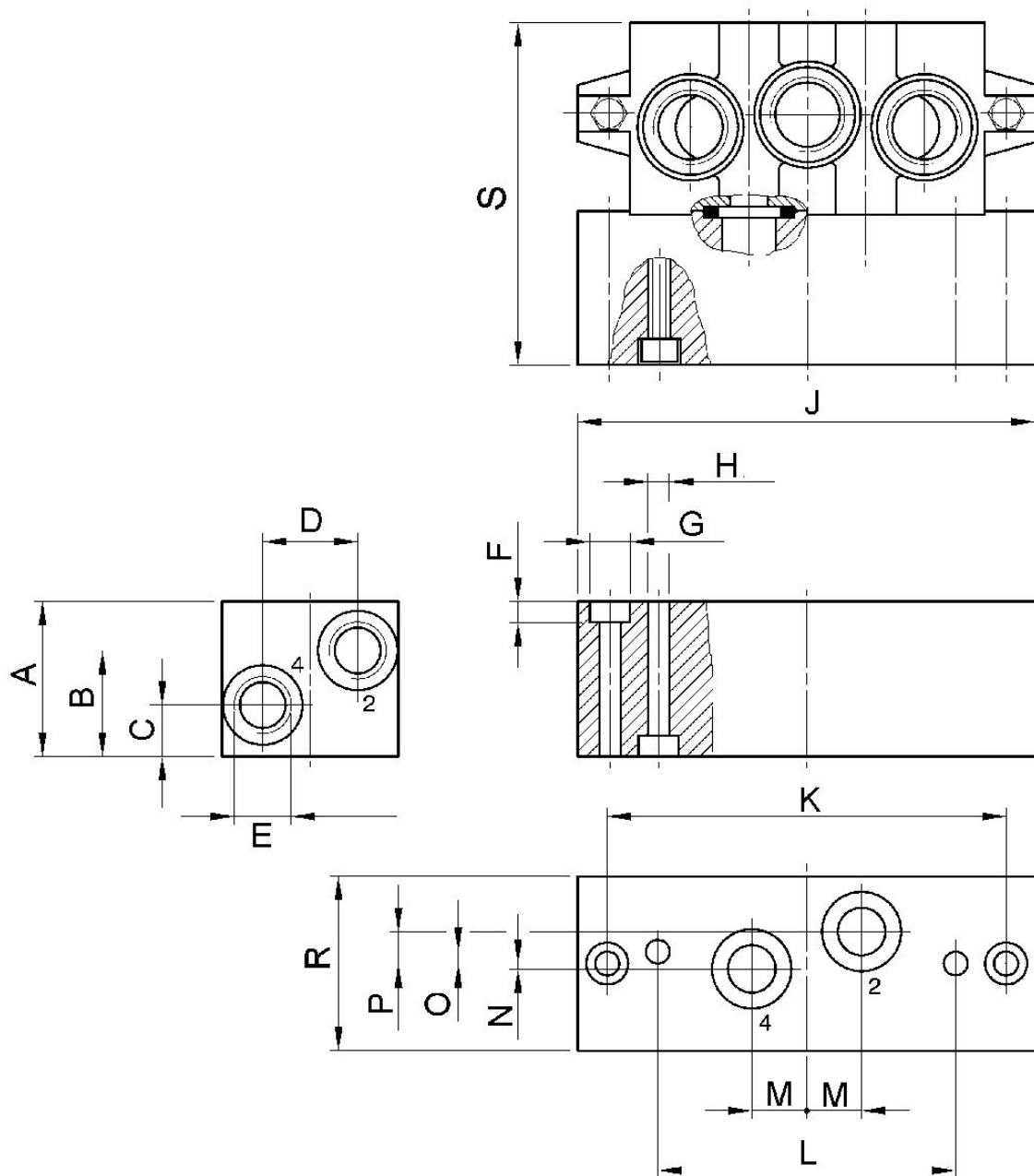
Angle subplate

ISO 5599-1
Internal thread



Compressed air connection output	Connection direction	Part No.
G 1/2	On the side	1825503205

Dimensions



Part No.	A	B	C	D	E	F	G	H	J	K
1825503170	37	25	12	22	G 1/4	5,7	Ø 10	Ø 5,5	110	95
1825503324	37	25	12	22	G 1/4	5,7	Ø 10	Ø 5,5	110	95
1825503204	40	26	14	29	G 3/8	6,8	Ø 11	Ø 6,6	135	115
1825503205	45	29	17	36	G 1/2	9	Ø 15	Ø 9	190	168
1825503764	45	29	17	36	G 1/8	9	Ø 15	Ø 9	190	168

L	M	N	O	P	R	S	Weight
71	13	1,5	3	7,5	42	81	

L	M	N	O	P	R	S	Weight
71	13	1,5	3	7,5	42	81	
86	15	5	3	6	55	85	
130	19	6	3	8	70	99	
130	19	6	3	8	70	99	

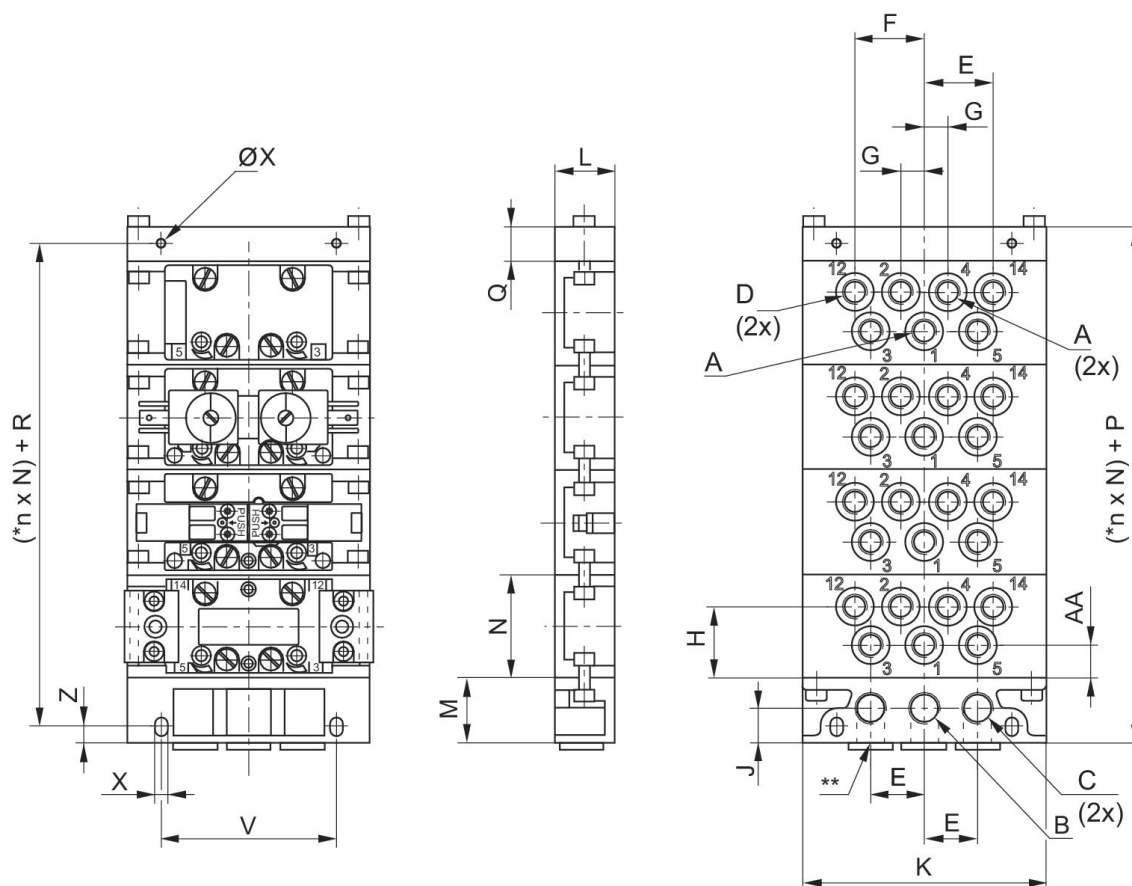
Base plate, ports 2 and 4 on bottom

ISO 5599-1



Frame size	Compressed air connection output	Compressed air connection pilot air	Max. number of valve positions	Part No.
ISO 3	G 1/2	G 1/8	1	5803750000

Dimensions



* n = Number of subbases. ** Alternative port openings, closed with plugs

Part No.	*		A	B	C	D	E	F	G	H
5801720000	a	ISO 1	G 1/8	G 1/4	G 1/4	G 1/8	22	28.5	9.5	29.5
5801750000	b	ISO 1	G 1/4	G 3/8	G 3/8	G 1/8	27	40	12.5	26.5
5801780000	b	ISO 1	Ø 8	G 3/8	G 3/8	Ø 6	27	40	12.5	26.5

Part No.	*		A	B	C	D	E	F	G	H
5801820000	a	ISO 1	∅ 6	G 1/4	G 1/4	∅ 4	22	28.5	9.5	29.5
5802720000	b	ISO 2	G 1/4	G 3/8	G 3/8	G 1/8	27	39	13.5	38
5802750000	c	ISO 2	G 3/8	G 1/2	G 1/2	G 1/8	36	52	17	33
5802820000	b	ISO 2	∅ 8	G 3/8	G 3/8	∅ 6	27	39	13.5	38
5803720000	c	ISO 3	G 3/8	G 1/2	G 1/2	G 1/8	36	50	18	46
5803750000	d	ISO 3	G 1/2	G 3/4	G 3/4	G 1/8	44	62	20.5	42
5804720000	d	ISO 4	G 1/2	G 3/4	G 3/4	G 1/8	44	60.5	22	53.5

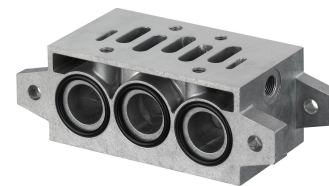
J	K	L	M	N	P	Q	R	V	X	Z
14.5	100	25	27	43	41	14	27.5	72	5.4	7
20	122	30	34	43	49	15	34	94	6.4	8
20	122	30	34	43	49	15	34	94	6.4	8
14.5	100	25	27	43	41	14	27.5	72	5.4	7
20	122	30	34	56	49	15	34	94	6.4	8
22	156	37	39	56	59	20	40	118	8.4	10
20	122	28	34	56	49	15	34	94	6.4	8
22	156	36	39	71	59	20	40	118	8.4	10
24	190	40	44	71	64	20	45	146	8.4	10
24	190	40	44	82	64	20	45	146	8.4	10

AA
8
10
10
13.5
18
13
18
-
-
-

* Intermediate plates designated with the same letters (a-d) can be mounted together without a transition plate.

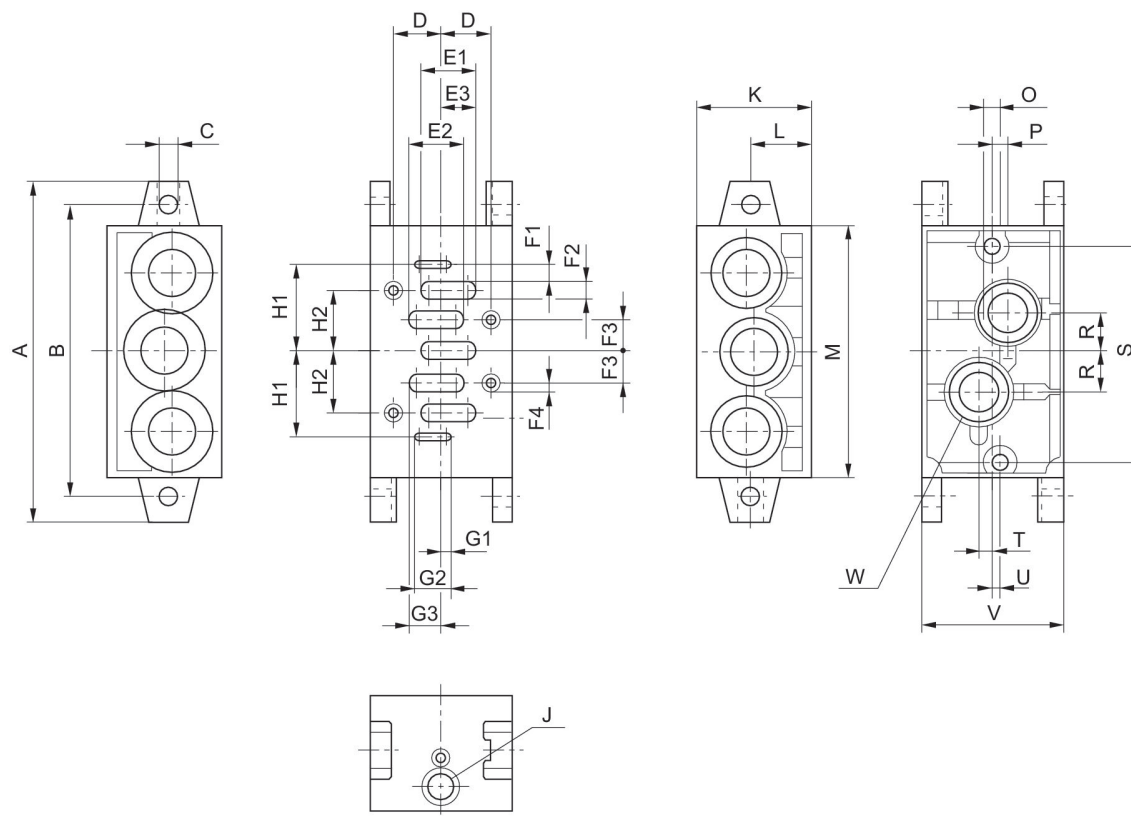
Base plate, ports 2 and 4 on bottom

ISO 5599-1
Internal thread



Frame size	Compressed air connection output	Compressed air connection pilot air	Max. number of valve positions	Part No.
ISO 3	G 1/2	G 1/8	1	1825503150

Dimensions



Part No.	A	B	C	D	E1	E2	E3	F1	F2	F3
1825503144	110	95	5,5	14	16,5	16,5	11,25	3	4,5	9
1825503147	135	115	6,6	19	22	22	13,5	3	7	12
1825503150	190	168	9	24	29	29	16,5	4	10	16
8985041422	215	184	11	—	—	—	—	—	—	—

F4	G1	G2	G3	H1	H2	J	K	L	M	O
M5	3	13,5	11,25	26,5	18	G 1/8	44	22	85	M5
M6	3	14,5	13,5	34	24	G 1/8	45	24	100	M6
M8	4	17,5	16,5	45	32	G 1/8	54	25	140	M8
—	—	—	—	—	—	—	55	30	142	M8

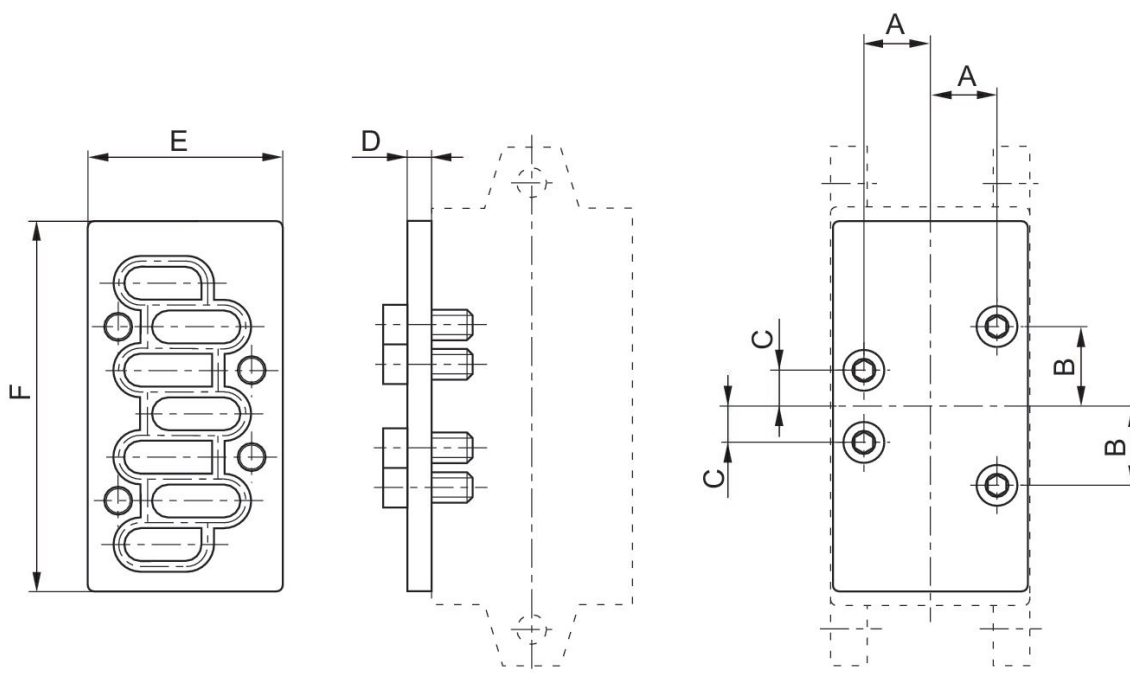
P	R	S	T	U	V	W
7,5	13	71	1,5	3	43	G 1/4
6	15	86	5	3	56	G 3/8
8	19	130	6	3	71	G 1/2
8	26	—	9	3	82	G 3/4

Blanking plate

ISO 5599-1



Type	Frame size	Part No.
Blanking plate	ISO 3	1825503174



Part No.	Frame size	A	B	C	D	E	F
1825503282	ISO 1	14	18	9	7	42	80
1825503176	ISO 2	19	24	12	15	54	100
1825503174	ISO 3	24	32	16	15	70	140

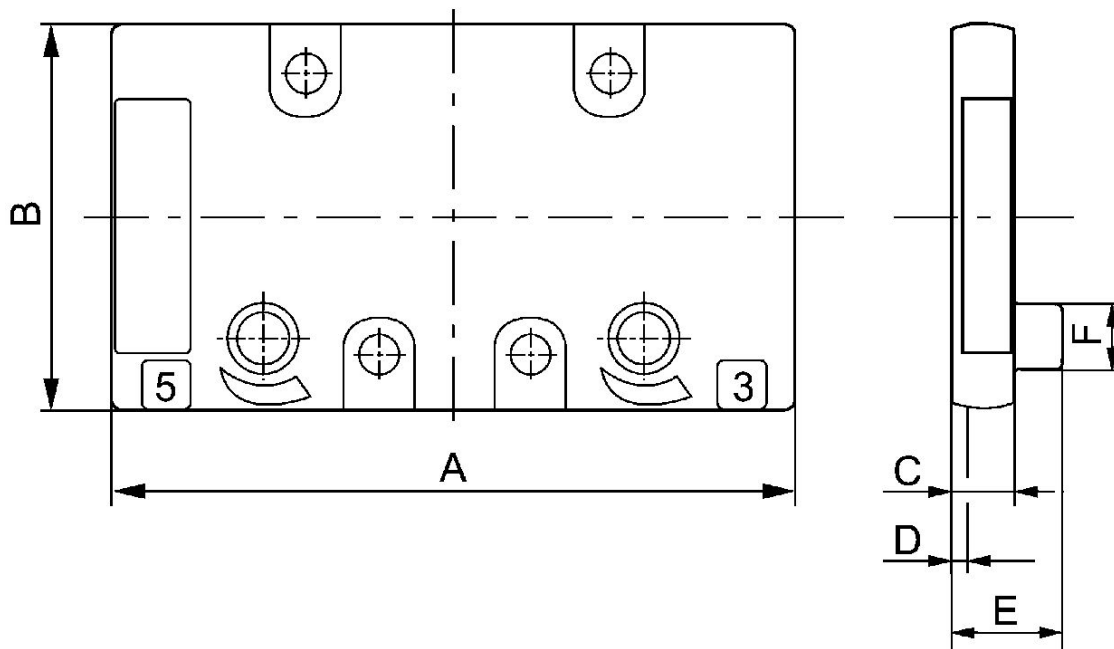
Blanking plate

ISO 5599-1



Frame size	Max. number of valve positions	Part No.
ISO 3	1	5803870000

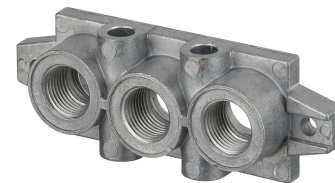
Dimensions



Part No.	A	B	C	D	E	F
5801870000	69	39	7	2	-	-
5802870000	86.4	49.4	9	2	-	-
5803870000	116.5	63.5	10	2	15	12
5804870000	142.5	74.5	10	2	20	15

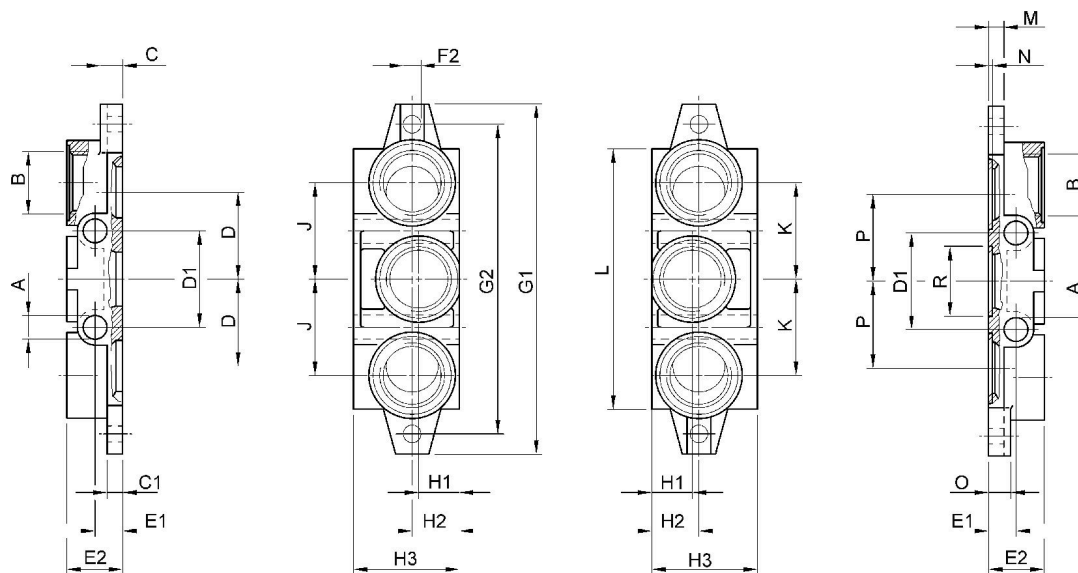
End plate left, End plate right

ISO 5599-1
Internal thread
G 1
G 1



Frame size	Compressed air connection input	Compressed air connection, exhaust	Part No.
ISO 3	G 1	G 1	1825503151

Dimensions



Part No.	A	B	C	C1	D	D1	E1	E2	F2	G1
1825503145	7	G 3/8	8	6	24	28	11	22	Ø 5,5	110
1825503148	9	G 1/2	11	8	31,5	35	13	26	Ø 6,6	135
1825503151	12	G 1	12	8	47	52	15	32	Ø 9	190
8985041442	12	G 1	19	12	54	56	15	30	Ø 11	215

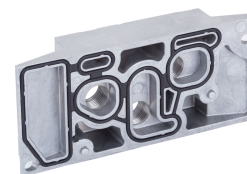
G2	H1	H2	H3	J	K	L	M	N	O	P
95	22	22	46	28	28	85	6	2	8	24
115	23	24	47	34	34	100	8	2	11	31,5
168	22	25	56	52	52	140	8	2,7	12	47
148	30	30	58	54	54		12	2,7	19	54

R
Ø 22,1

R
Ø 28,7
Ø 38
Ø 44,1

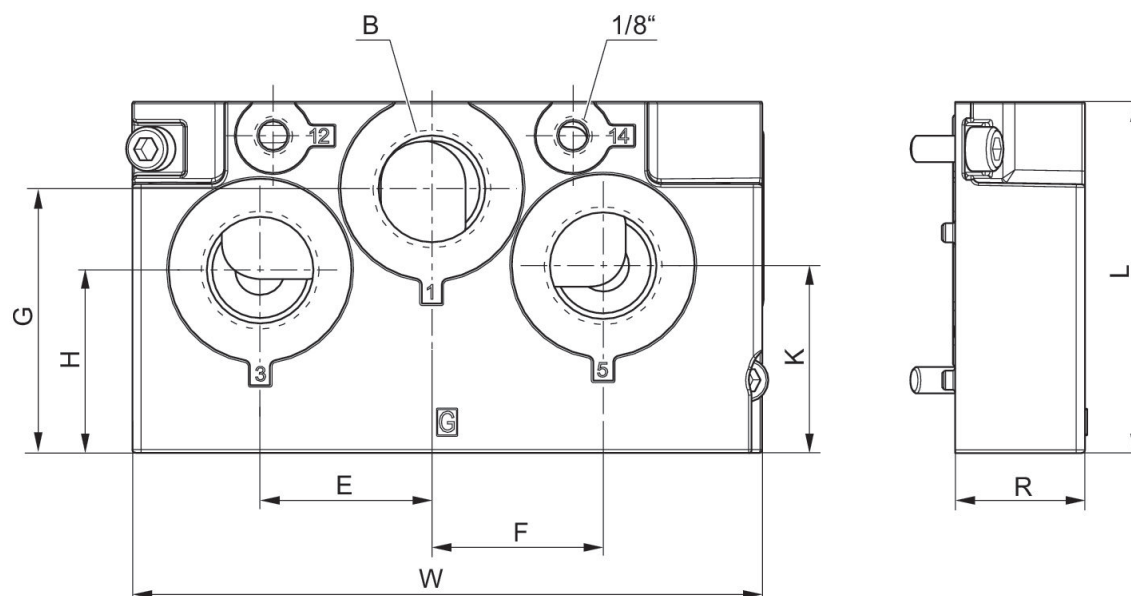
End plate right

ISO 5599-1



Frame size	Compressed air connection input	Compressed air connection, exhaust	Part No.
ISO 1	G 3/8	G 3/8	R432037651
ISO 2	G 3/4	G 3/4	R432037653
ISO 3	G 1	G 1	R432037655

Dimensions



Part No.	B	E	F	G	H	J	K	R	L	W
R432037651	3/8	23	18	15.5	30	20	37.5	25	60.6	135
R432037653	3/4	39	39	60	41.5	38	42.5	29.5	79.7	143
R432037655	1	49	49	76	53	32	53	36	100	164

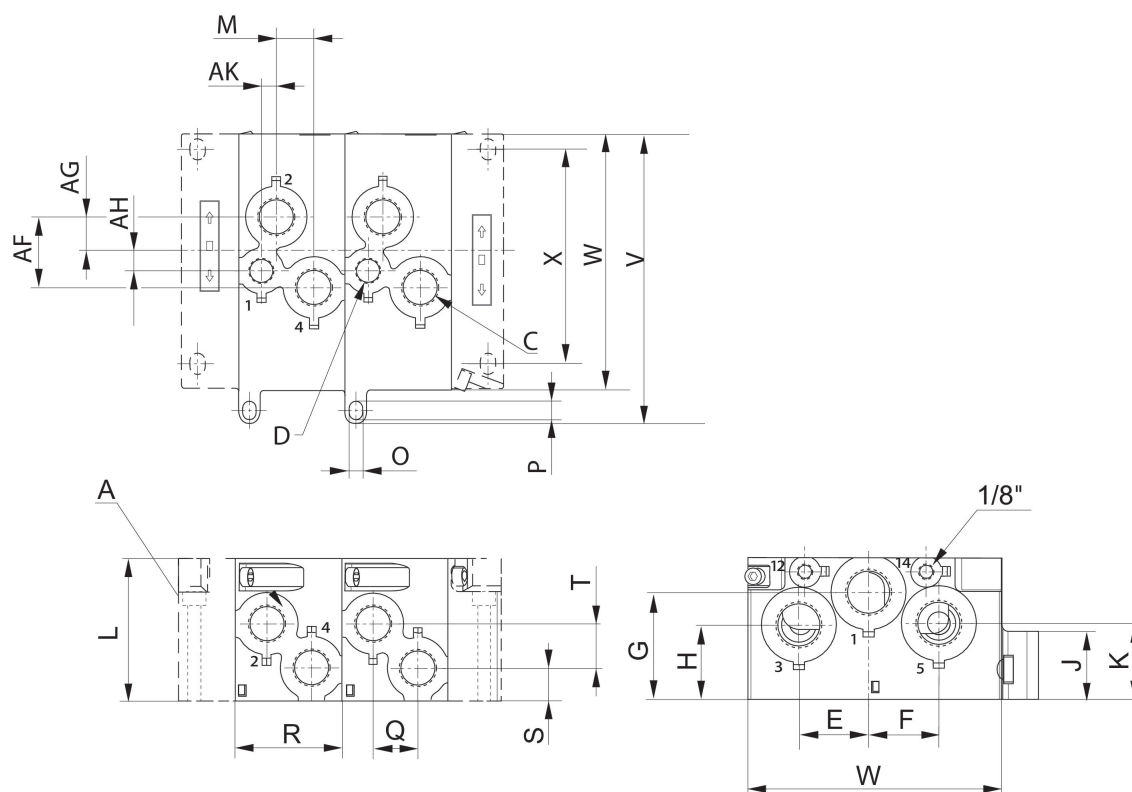
Base plate

ISO 5599-1
Internal thread



Frame size	Compressed air connection output	Part No.
ISO 1	G 3/8	R432037639
ISO 2	G 1/2	R432037641
ISO 3	G 3/4	R432037643

Dimensions



A = left and right end plates in two versions

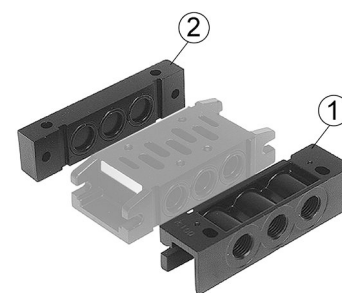
Part No.	A	D	C	AF	AG	AH	AK	E	F	G
R432037639	G 1/4	-	G 3/8	23.8	11.8	-	-	23	18	15,5
R432037641	G 1/2	G 3/8	G 1/2	39.5	19	11	8.2	39	39	60
R432037643	G 3/4	G 1/2	G 3/4	46.3	25.1	11.2	15.8	49	49	76

H	J	K	L	M	O	P	R	Q	S	T
30	20	37,5	60.6	12	5.5	8.5	45	18	13.3	14.7
41,5	38	42,5	79.7	21	5.5	9.3	59.5	25	18	24.8
53	32	53	100	22.5	6.3	9.3	80	38	24.5	20.5

X	W	V
102,5	135	150
119,6	143	162,5
99	164	183

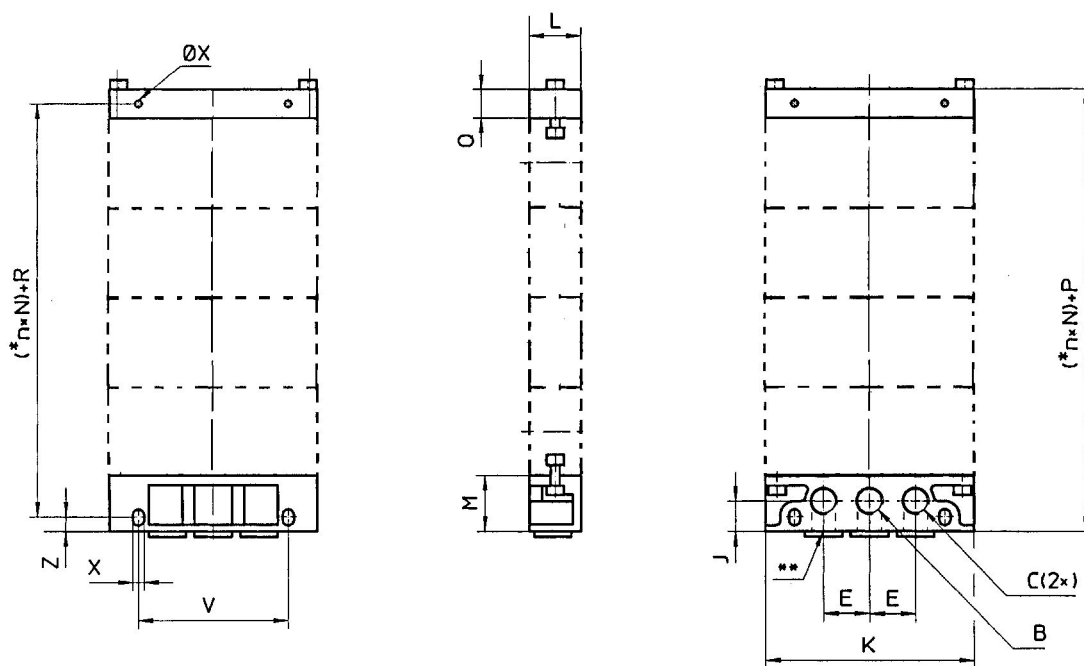
End plate left, End plate right

ISO 5599-1
Internal thread



Frame size	Compressed air connection input	Compressed air connection, exhaust	Part No.
ISO 2, ISO 3	G 1/2	G 1/2	5803850000
ISO 2, ISO 3			5803860000
ISO 3, ISO 4	G 3/4	G 3/4	5804850000
ISO 3, ISO 4			5804860000

Dimensions



* n = Number of subbases. ** Alternative port openings, closed with plugs

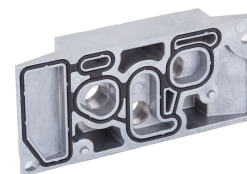
Part No.		B	C	E	J	K	L	M	P	Q
5801850000	ISO 1	G 1/4	G 1/4	22	14.5	100	25	27	41	-
5801860000	ISO 1	-	-	-	-	100	25	-	41	14
5802850000	ISO 1, ISO 2	G 3/8	G 3/8	27	20	122	30	34	49	-
5802860000	ISO 1, ISO 2	-	-	-	-	122	29	-	49	15
5803850000	ISO 2, ISO 3	G 1/2	G 1/2	36	22	156	37	39	59	-
5803860000	ISO 2, ISO 3	-	-	-	-	156	37	-	59	20

Part No.		B	C	E	J	K	L	M	P	Q
5804850000	ISO 3 , ISO 4	G 3/4	G 3/4	44	24	190	42	44	64	-
5804860000	ISO 3 , ISO 4	-	-	-	-	190	42	-	64	20

R	V	X	Z	Weight
27.5	72	5.4	7	
27.5	72	5.4	-	
34	94	6.4	8	
34	94	6.4	-	
40	118	8.4	10	
40	118	8.4	-	
45	146	8.4	10	
45	146	8.4	-	

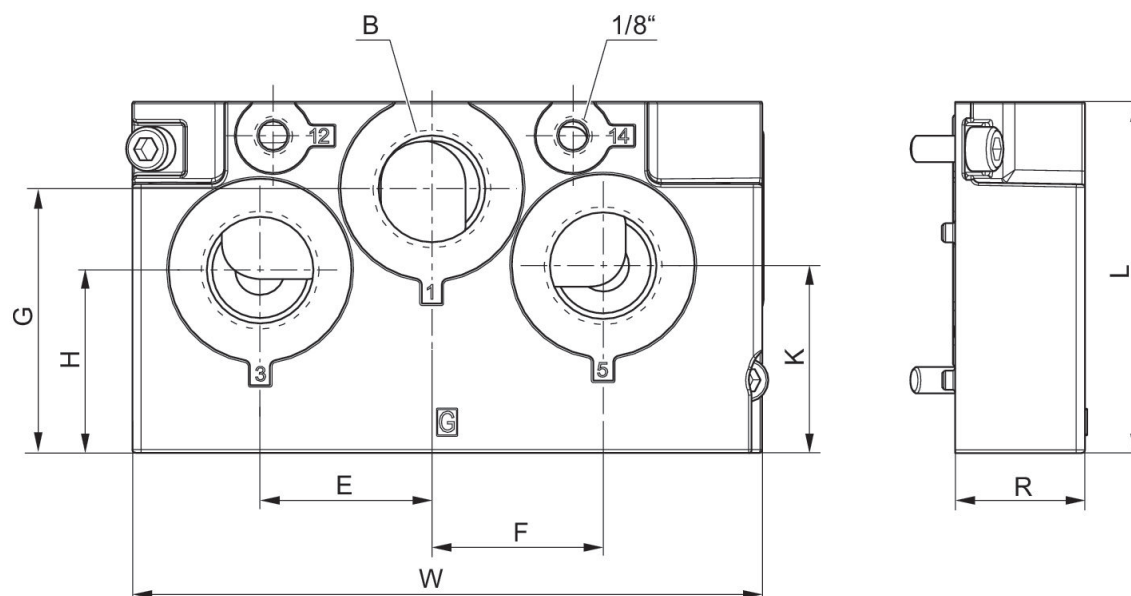
End plate right, Inch version

ISO 5599-1



Frame size	Compressed air connection input	Compressed air connection, exhaust	Part No.
ISO 1	3/8 NPT	3/8 NPT	R432037652
ISO 2	3/4 NPT	3/4 NPT	R432037654
ISO 3	1 NPT	1 NPT	R432037656

Dimensions



Part No.	E	F	G	H	J	K	W
R432037652	23	18	15.5	30	20	37.5	135
R432037654	39	39	60	41.5	38	42.5	143
R432037656	49	49	76	53	32	53	53

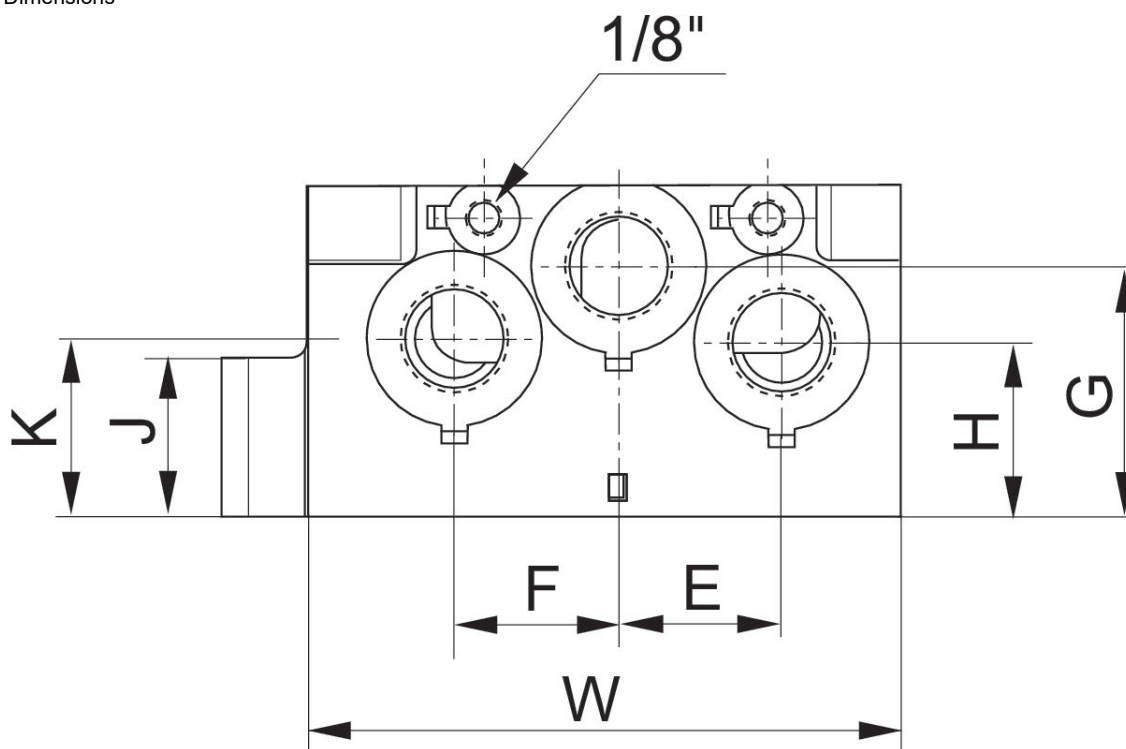
End plate left

ISO 5599-1



Frame size	Compressed air connection input	Compressed air connection, exhaust	Part No.
ISO 1	3/8 NPT	3/8 NPT	R432037646
ISO 2	3/4 NPT	3/4 NPT	R432037648
ISO 3	1 NPT	1 NPT	R432037650

Dimensions



Part No.	E	F	G	H	J	K	W
R432037646	23	18	15.5	30	20	37.5	135
R432037648	39	39	60	41.5	38	42.5	143
R432037650	49	49	76	53	32	53	164

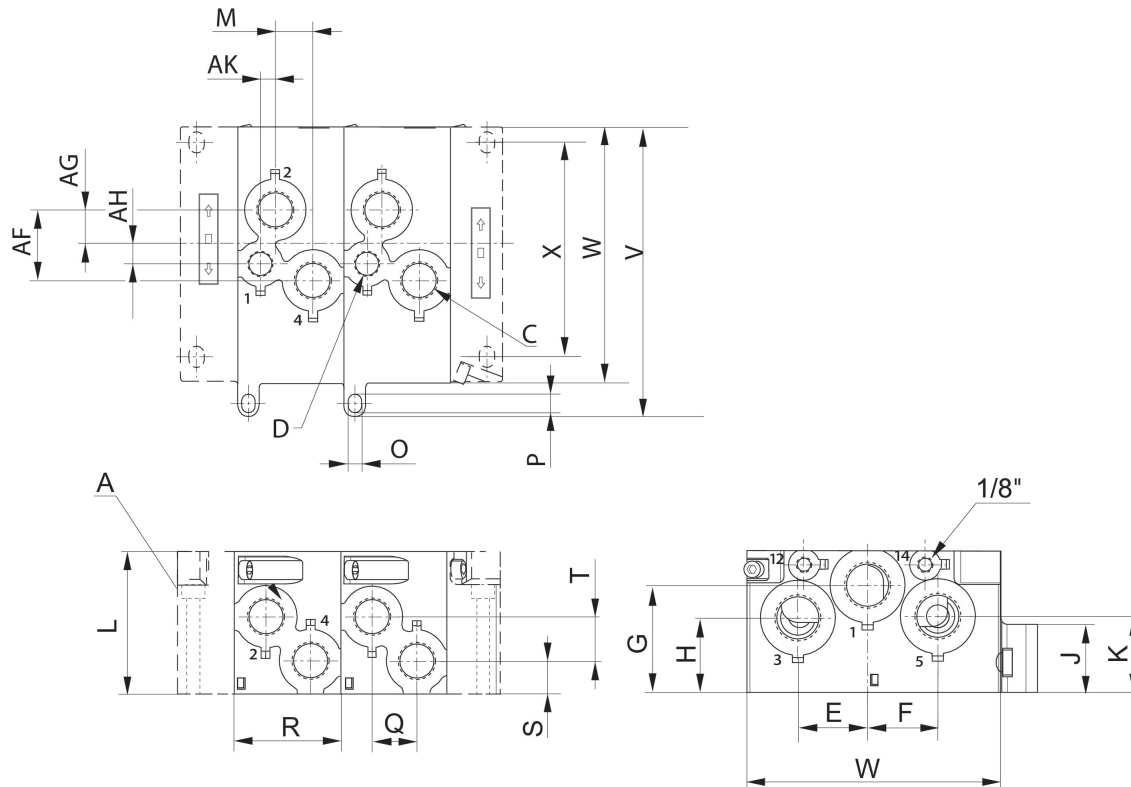
ISO 5599-1, Base and end plates, Inch version

ISO 5599-1
Internal thread



Frame size	Compressed air connection output	Part No.
ISO 1	3/8 NPT	R432037640
ISO 2	1/2 NPT	R432037642
ISO 3	3/4 NPT	R432037644

Dimensions



A = left and right end plates in two versions

Part No.	A	D	C	F	G	H	K	L	M	O
R432037640	1/4 NPT	-	3/8 NPT	23.8	11.8	-	-	60.6	12	5.5
R432037642	1/2 NPT	3/8 NPT	1/2 NPT	39.5	19	11	8.2	79.7	21	5.5
R432037644	3/4 NPT	1/2 NPT	3/4 NPT	46.3	25.1	11.2	15.8	100	22.5	6.3

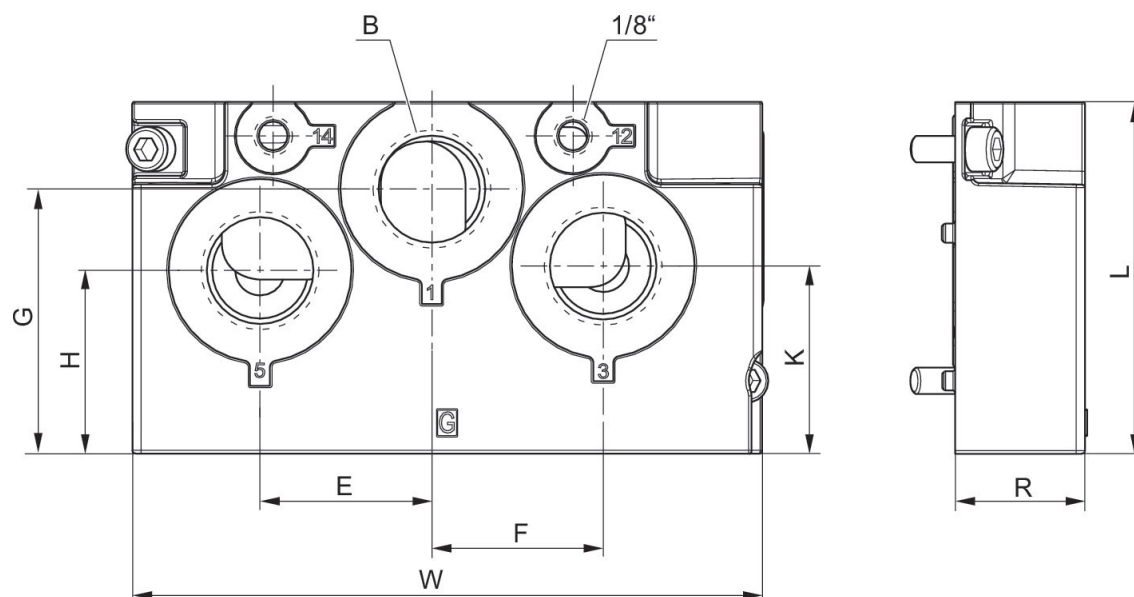
P	R	Q	S	T
8.5	45	18	13.3	14.7
9.3	59.5	25	18	24.8
9.3	80	38	24.5	20.5

End plate left

ISO 5599-1



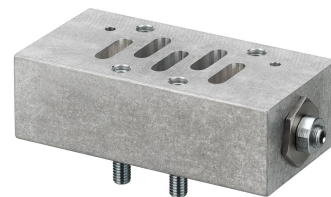
Frame size	Compressed air connection input	Compressed air connection, exhaust	Part No.
ISO 1	G 3/8	G 3/8	R432037645
ISO 2	G 3/4	G 3/4	R432037647
ISO 3	G 1	G 1	R432037649



Part No.	B	E	F	G	H	J	K	L	R	W
R432037645	3/8	23	18	15.5	30	20	37.5	60.6	25	135
R432037647	3/4	39	39	60	41.5	38	42.5	79.7	32	143
R432037649	1	49	49	76	53	32	53	100	37	164

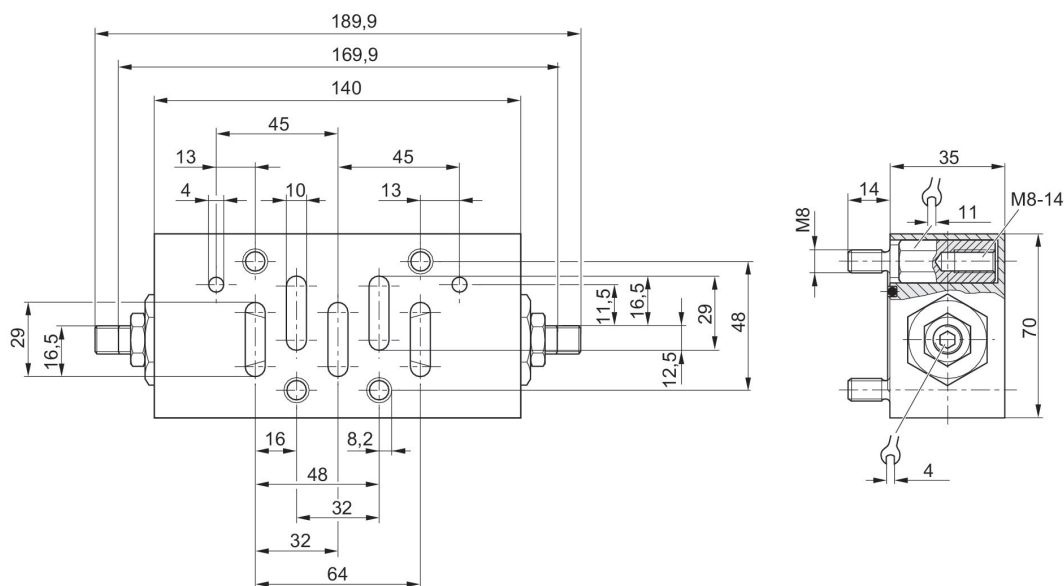
Throttle plate

ISO 5599-1



Frame size	Part No.
ISO 3	0821201025

Dimensions



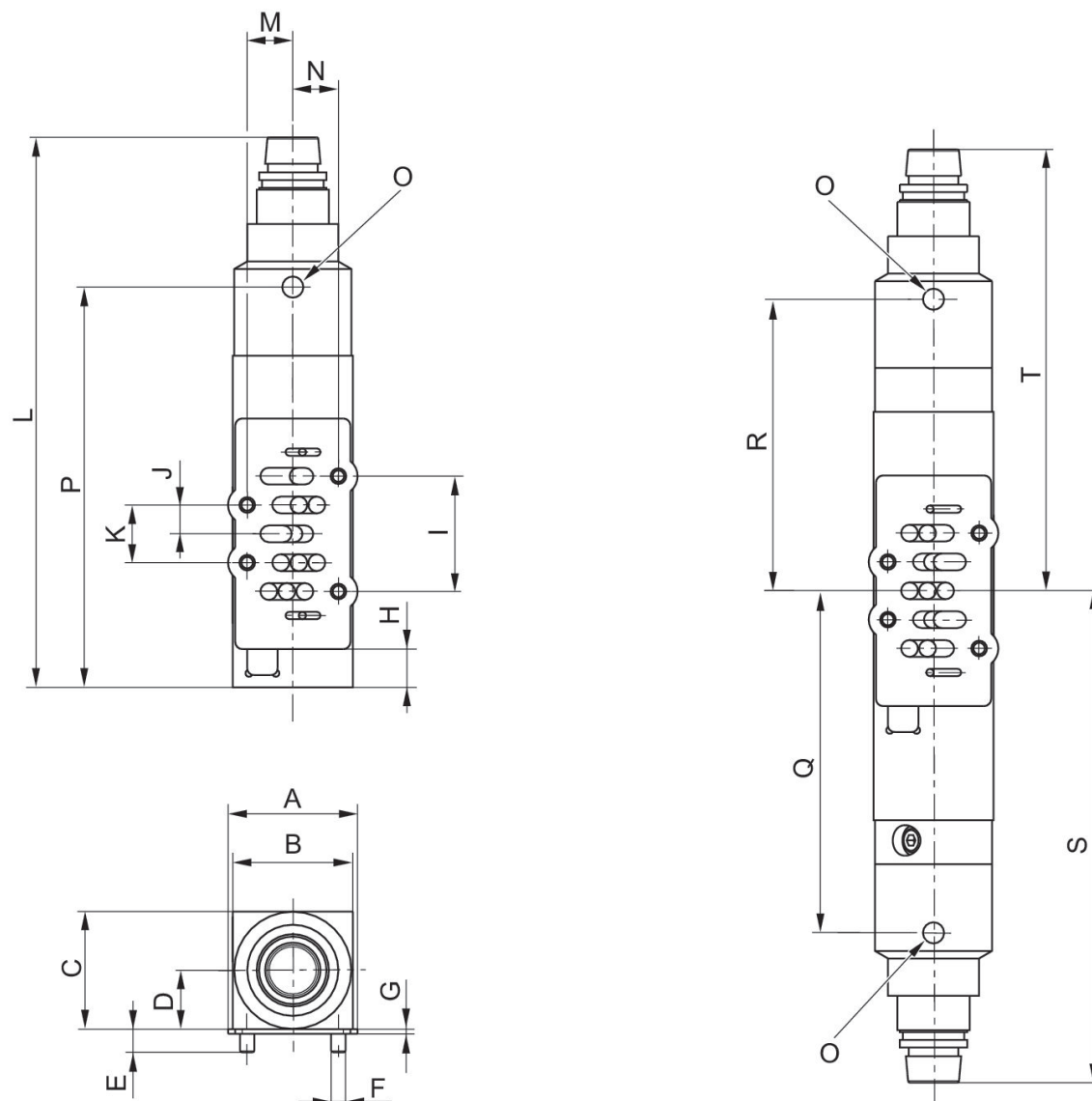
Pressure regulator

1700 l/min
ISO 5599-1



Controlled port	Nominal flow [l/min]	Min. regulation range [bar]	Max. regulation range [bar]	Part No.
1	1700	0.5	8	R422103096
2	1700	0.5	8	R422103097
2, 4	1700	0.5	8	R422103098
1	1700	0.5	8	R422103167
4	1700	0.5	8	R422103168

Dimensions

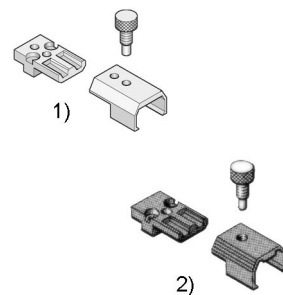


Part No.	A	B	C	D	E	F	G	H	I	J
R422103096	-	68	68	34	13.7	M8	2	19.2	64	16
R422103097	-	68	68	34	13.7	M8	2	19.2	64	16
R422103098	-	68	68	34	13.7	M8	2	19.2	64	16
R422103167	-	68	68	34	13.7	M8	2	1.5	64	16
R422103168	-	68	68	34	13.7	M8	2	1.5	64	16

Part No.	K	L	M	N	O	P	Q	R	S	T
R422103096	32	288.8	24	24	G1/8	200.5	-	-	-	-
R422103097	32	294.7	24	24	G1/8	206.5	-	-	-	-
R422103098	32	-	24	24	G1/8	-	161.3	131.3	249.5	219.5
R422103167	32	288.8	24	24	G1/8	-	-	-	-	-
R422103168	32	307	24	24	G1/8	-	-	-	-	-

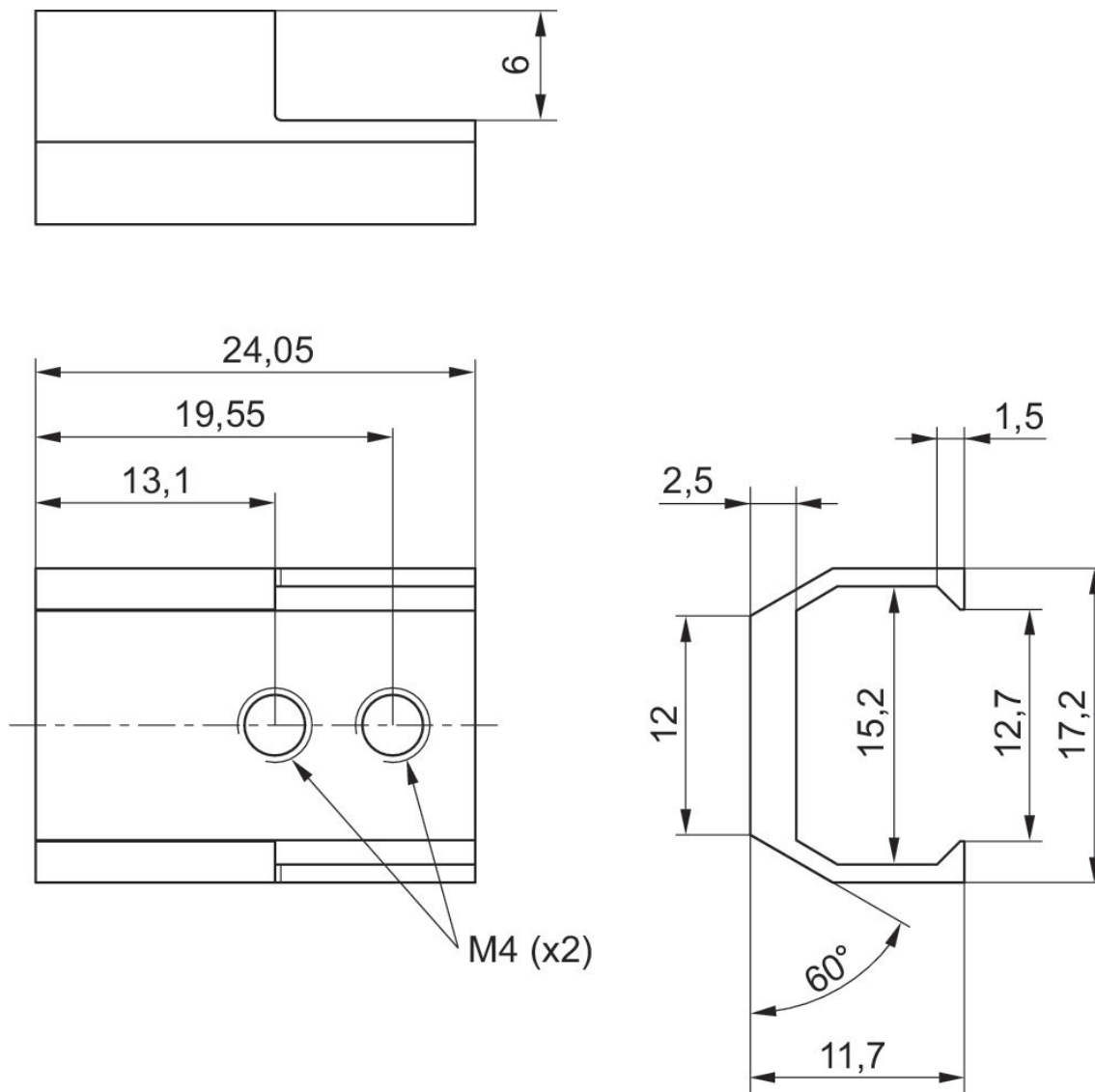
Control unit for manual override

581



Type	Part No.
for double-sided electrically actuated valves, 15 pilot valve width	0493835718

Dimensions



Blanking piece



Type	Type	Part No.
Blanking piece	ISO 1	R432038306
Blanking piece	ISO 2	R432037662
Blanking piece	ISO 3	R432037663

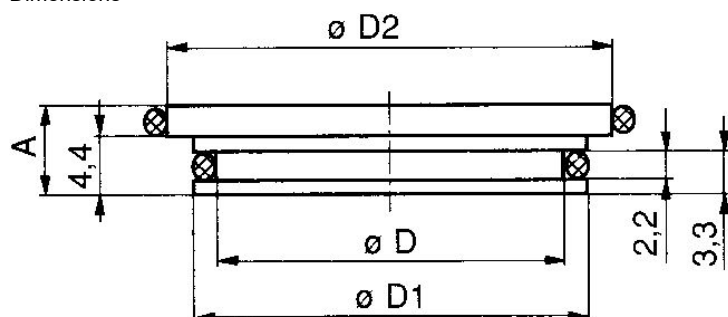
Blanking piece, Subbases ISO 5599-1

ISO 5599-1



Type	Part No.
ISO 3	8985049032

Dimensions



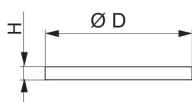
Part No.	A	D	D1	D2
8985049012	6.2	12.2	14.8	16.5
8985049022	6.2	15.7	18.3	23
8985049032	6.9	25.1	27.7	30

Separator set

ISO 5599-1



Type	Type	Delivery unit [piece]	Part No.
c	ISO 2, ISO 3	3	5803880000
d	ISO 3, ISO 4	3	5804880000



Part No.	D	H
5801880000	13,2	2
5802880000	17,2	2
5803880000	20,5	2,2
5804880000	24,5	2,2

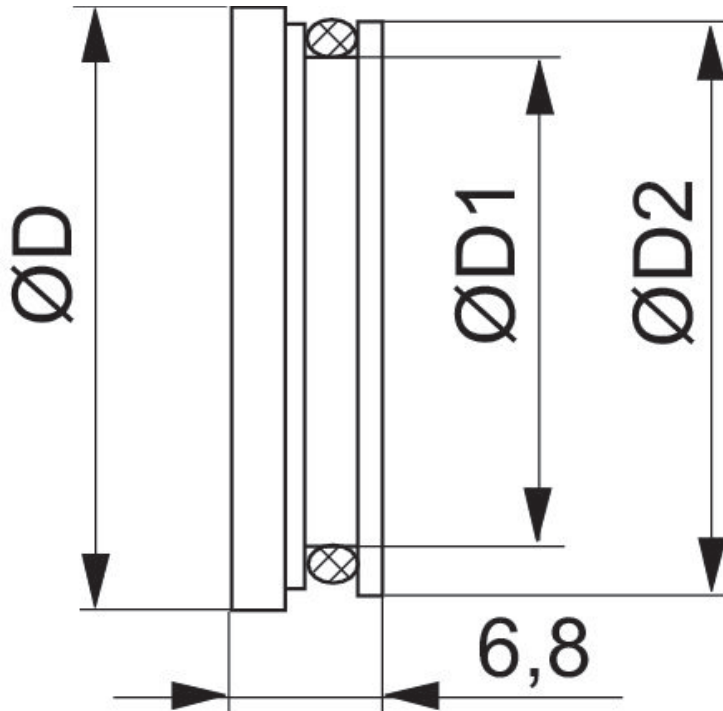
Blanking piece

ISO 5599-1



Type	Type	Part No.
Blanking piece, ISO 3	ISO 3	1820A20013
Blanking piece, ISO 2	ISO 2	1820220023

Dimensions



Part No.	Ø D	Ø D1	Ø D2
1820220021	16.6	11.8	15.8
1820220023	23	14.3	18.2
1820220013	29.3	23.8	27.7
1820A20013	29.3	23.8	27.7

Valve plug connector, series CON-VP

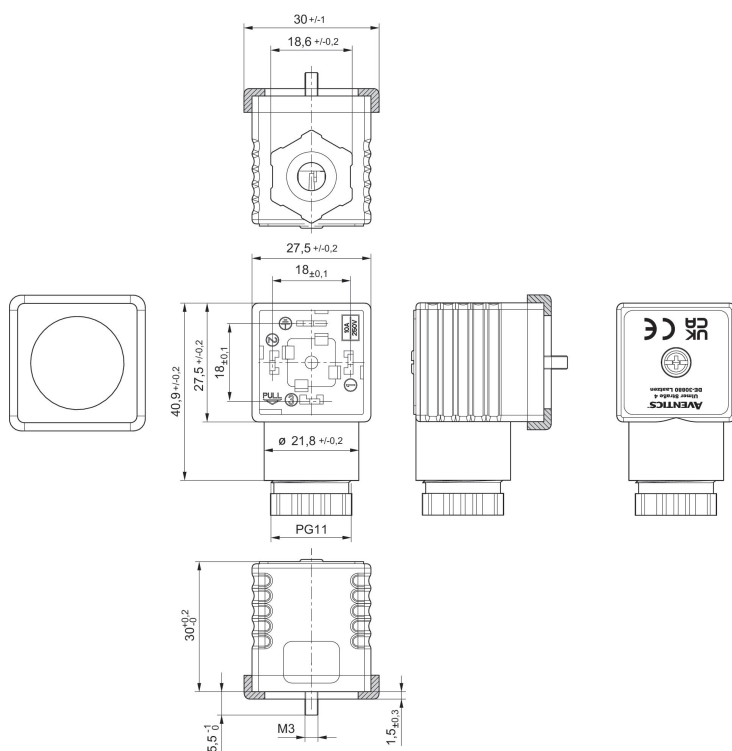
EN 175301-803, form A
CE declaration of conformity
UKCA



Operational voltage	Max. current [A]	Contact assignment	min. suitable cable Ø [mm]	max. suitable cable Ø [mm]	Part No.
300 V DC / 250 V AC	10	2+E	4	9.5	1834484048

1834484048

Dimensions



Profile seal

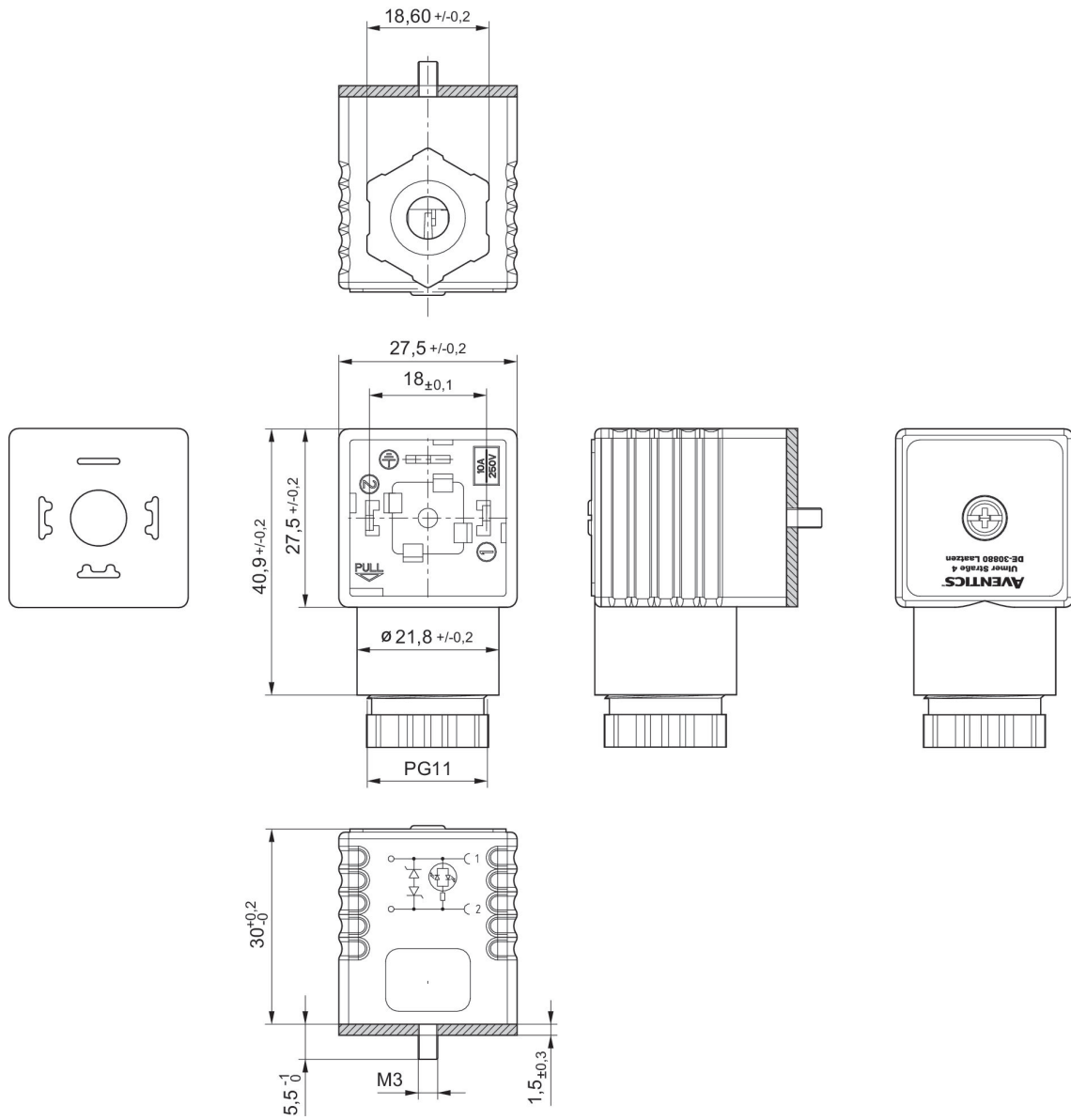
Valve plug connector, series CON-VP

EN 175301-803, form A
CE declaration of conformity
UKCA



Operational voltage	Protective circuit	Contact assignment	LED status display	min. suitable cable Ø [mm]	max. suitable cable Ø [mm]	Part No.
115 V AC/DC	Varistor	2+E	Red	6.5	9.5	1834484102
230 V AC/DC	Varistor	2+E	Red	6.5	9.5	1834484103

Dimensions



Flat gasket

Valve plug connector, series CON-VP

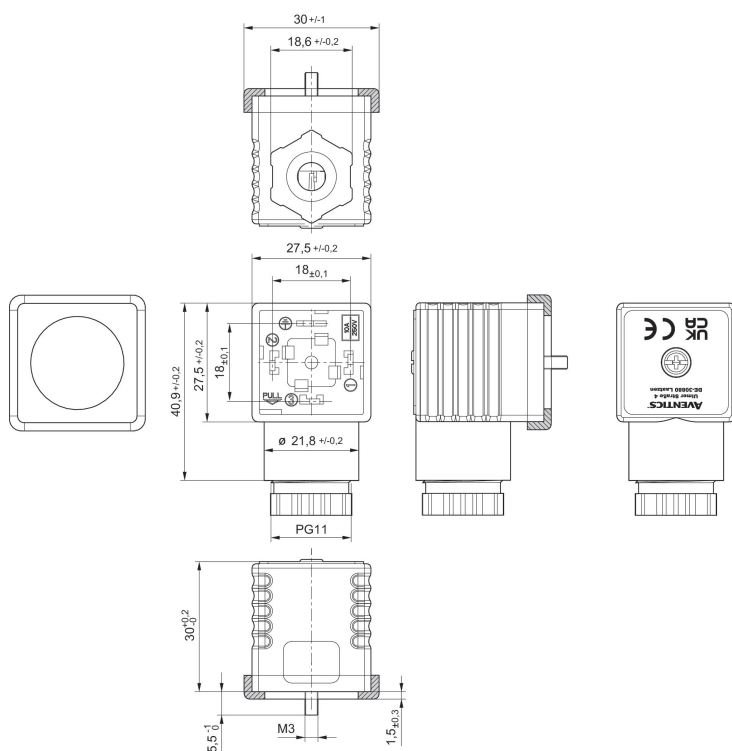
EN 175301-803, form A
CE declaration of conformity
UKCA



Operational voltage	Max. current [A]	Contact assignment	min. suitable cable Ø [mm]	max. suitable cable Ø [mm]	Part No.
300 V DC / 250 V AC	10	3+E	4	9.5	1834484059

1834484059

Dimensions



Profile seal

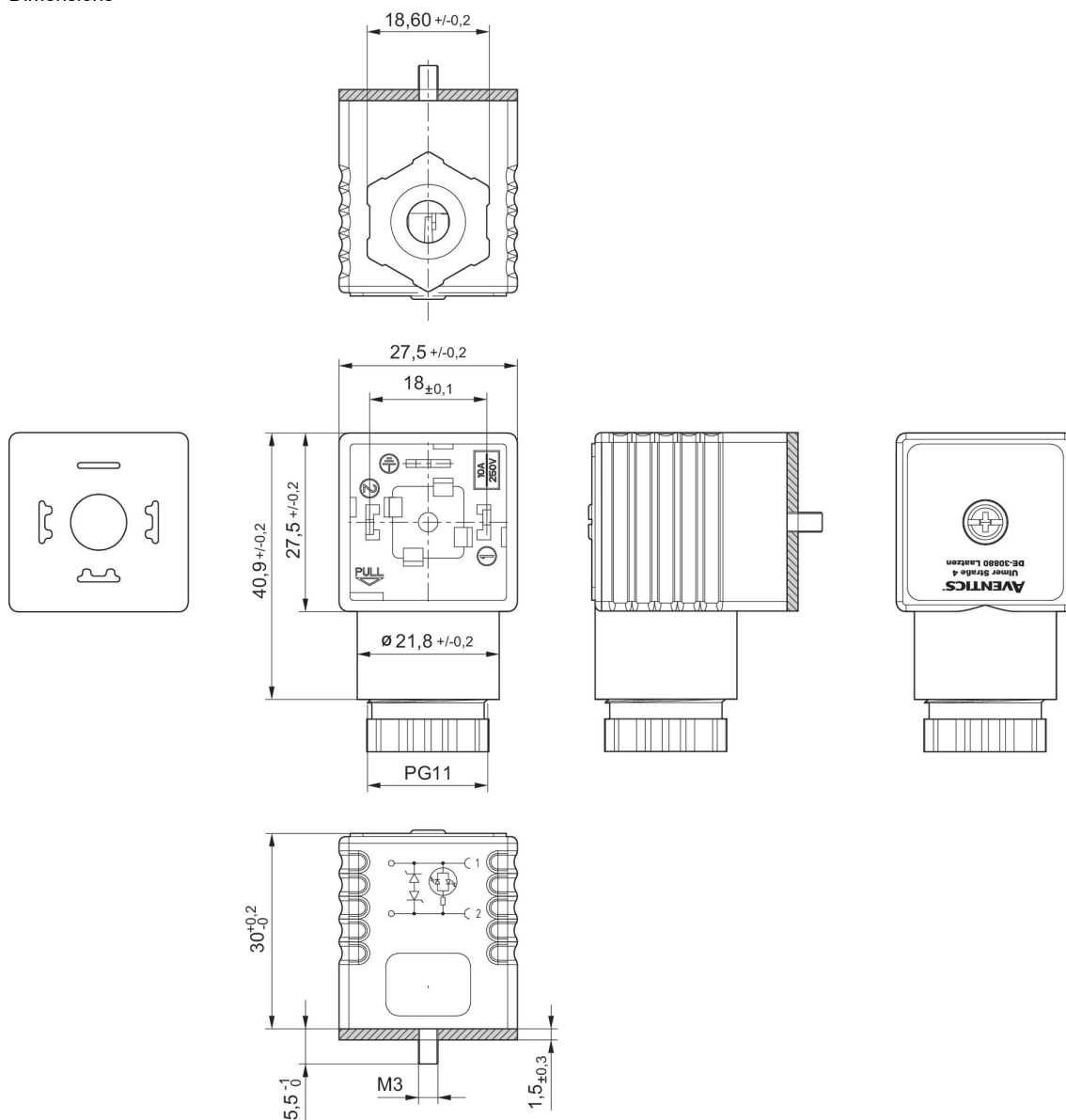
Valve plug connector, series CON-VP

EN 175301-803, form A



Operational voltage	Protective circuit	Max. current [A]	Contact assignment	LED status display	min. suitable cable Ø [mm]	max. suitable cable Ø [mm]	Part No.
24 V AC/DC	2 Z-diodes	1.5	2+E	Yellow	4	9.5	1834484101

Dimensions



Flat gasket

Valve plug connector, series CON-VP

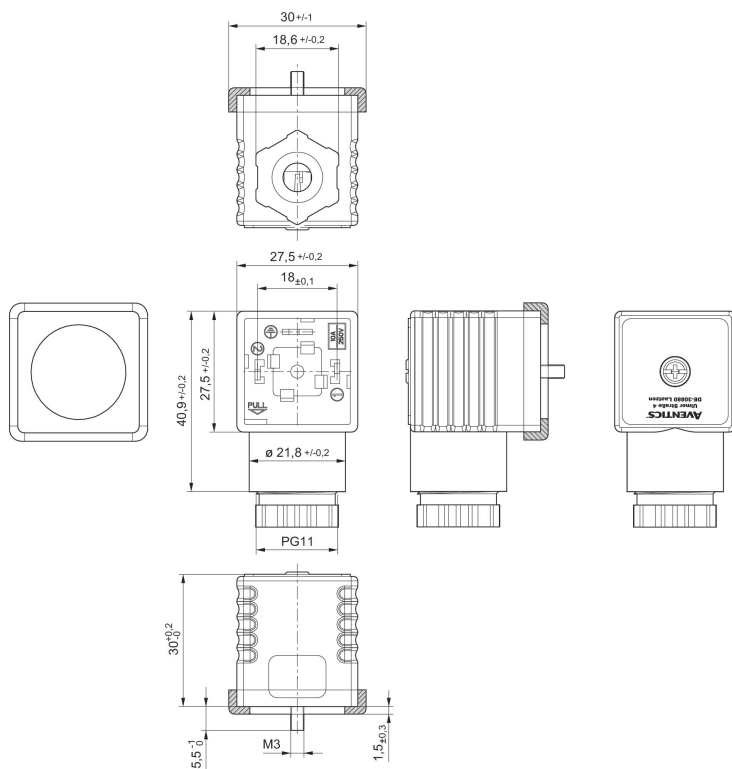
EN 175301-803, form A



Operational voltage	Protective circuit	Max. current [A]	Contact assignment	LED status display	min. suitable cable Ø [mm]	max. suitable cable Ø [mm]	Part No.
24 V AC/DC	Varistor	1.5	2+E	Green	4	9.5	8941016102

8941016102

Dimensions



Profile seal

Valve plug connector, series CON-VP

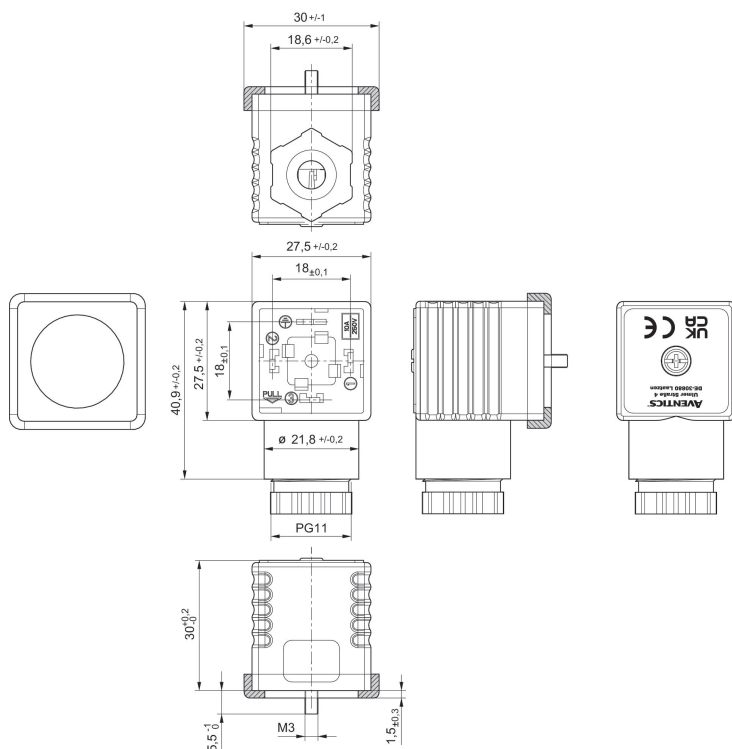
EN 175301-803, form A
CE declaration of conformity
UKCA



Operational voltage	Protective circuit	Contact assignment	LED status display	min. suitable cable Ø [mm]	max. suitable cable Ø [mm]	Part No.
230 V AC/DC	Varistor	2+E	Green	6.5	9.5	8941016112

8941016112

Dimensions



Profile seal

Valve plug connector, series CON-VP

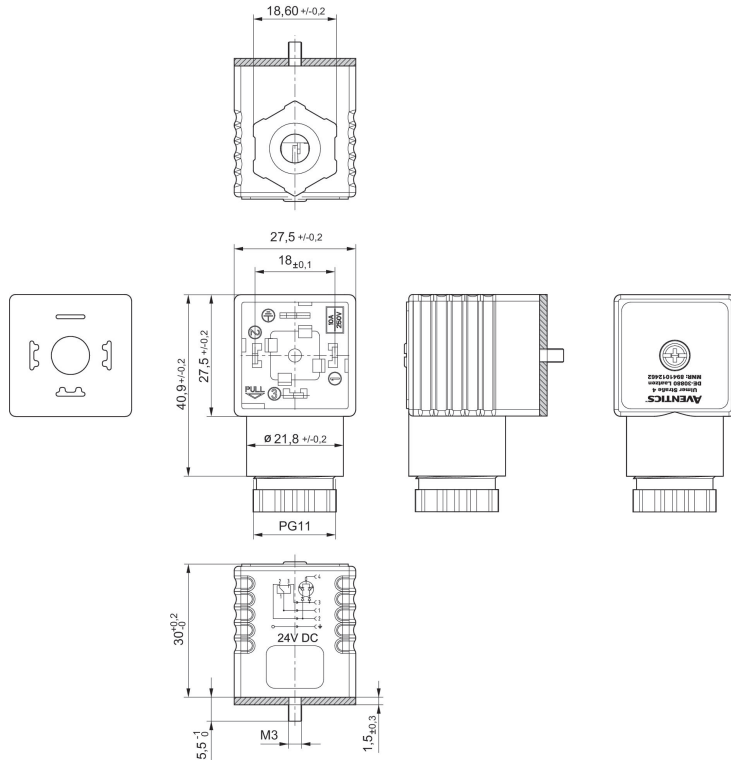
EN 175301-803, form A



Operational voltage	Protective circuit	Max. current [A]	Contact assignment	LED status display	min. suitable cable Ø [mm]	max. suitable cable Ø [mm]	Part No.
24 V DC	2 diodes (1 A)	1	3+E	green/red	4	9.5	8941012462

8941012462

Dimensions



Flat gasket

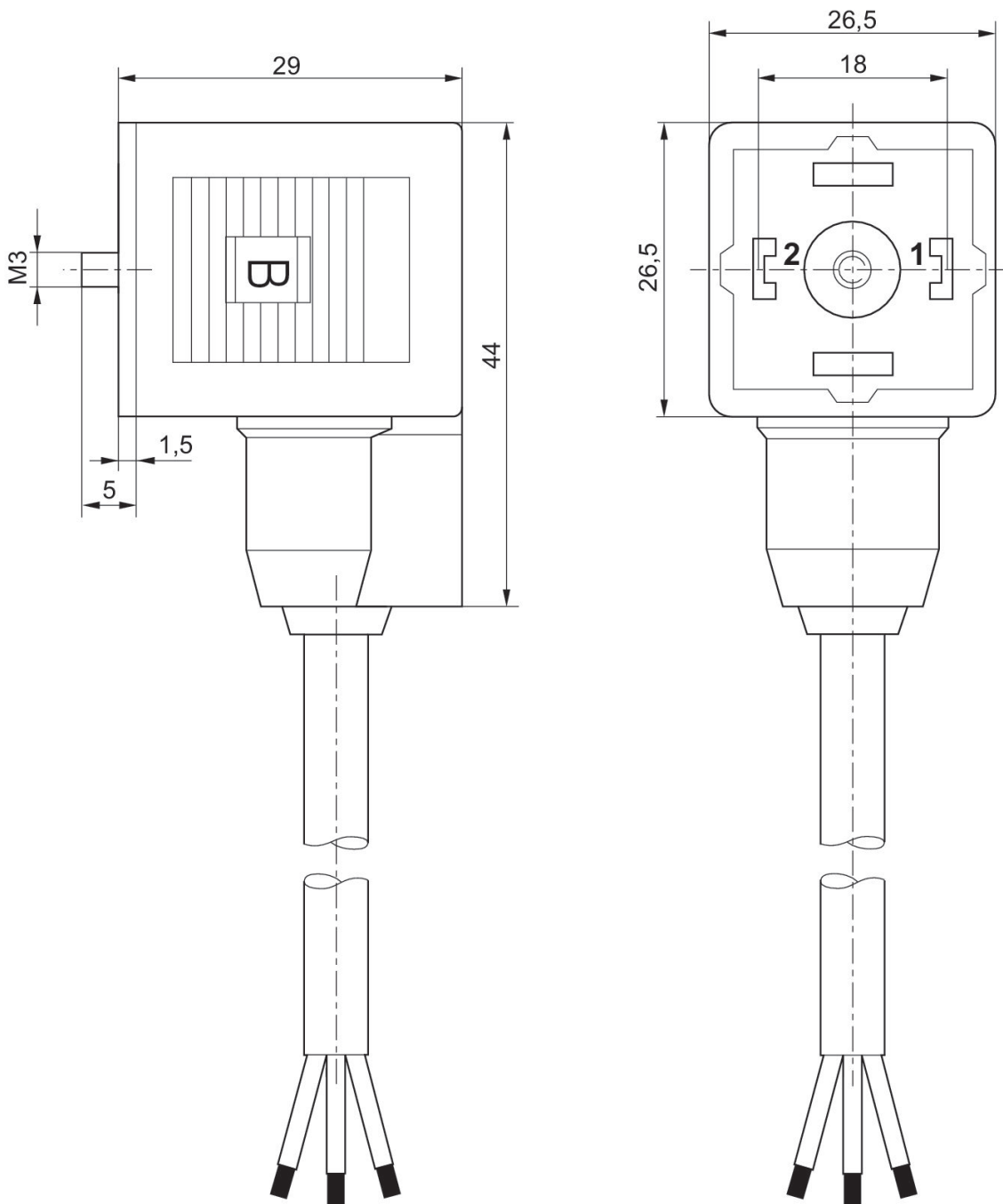
Valve plug connector, series CON-VP

form A



Operational voltage	Contact assignment	Cable-Ø [mm]	Cable length [m]	Part No.
230 V AC/DC	2+E	5.9	3	1834484160

Dimensions



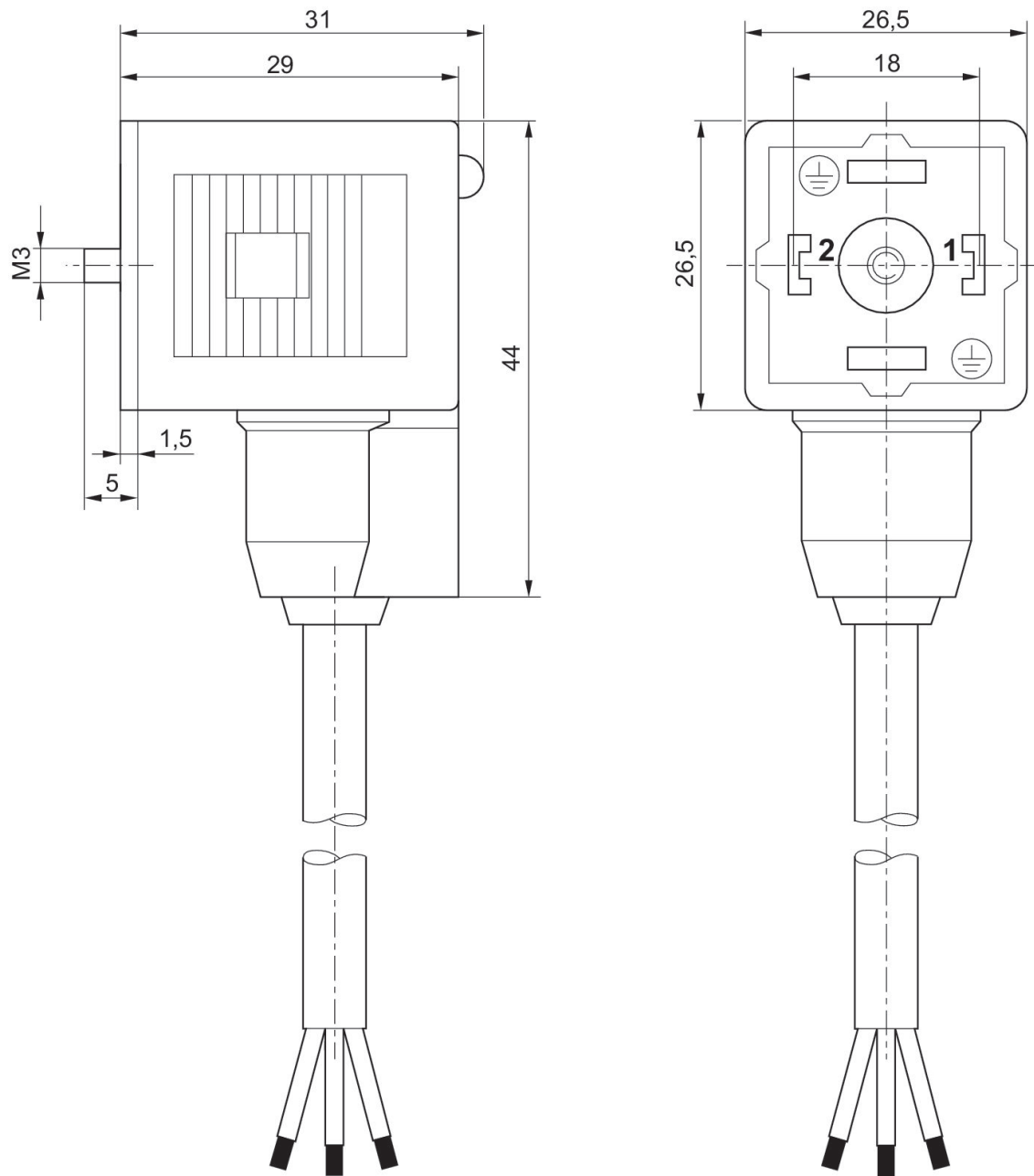
Valve plug connector, series CON-VP

form A



Operational voltage	Protective circuit	Contact assignment	LED status display	Cable-Ø [mm]	Cable length [m]	Part No.
24 V AC/DC	Z-diode	2+E	Yellow	5.9	3	1834484162
24 V AC/DC	Z-diode	2+E	Yellow	5.9	5	1834484163
230 V AC/DC	Varistor	2+E	Red	5.9	3	1834484164
230 V AC/DC	Varistor	2+E	Red	5.9	5	1834484165

Dimensions



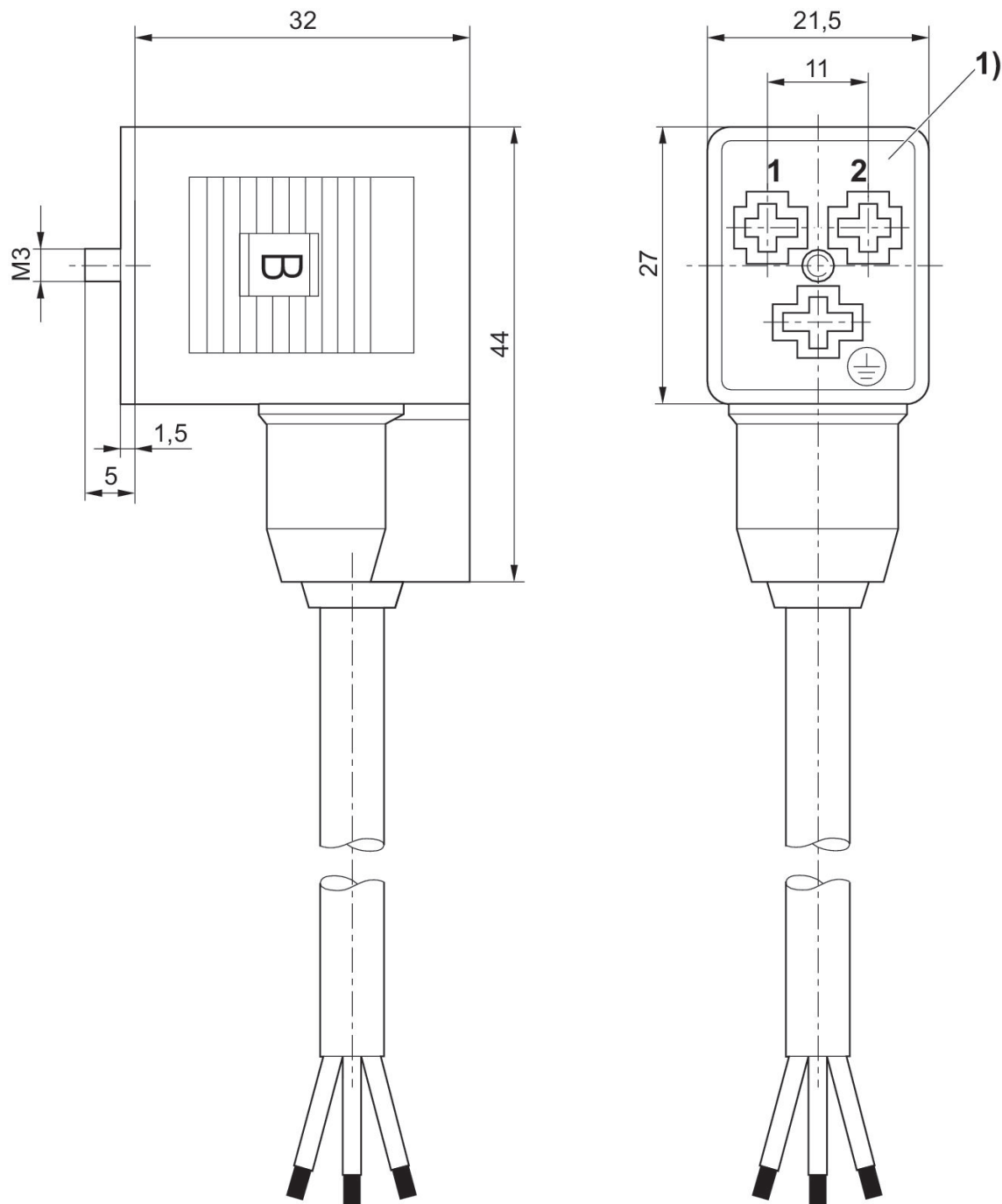
Valve plug connector, series CON-VP

Form B, industry



Max. current [A]	Contact assignment	Cable-Ø [mm]	Cable length [m]	Part No.
4	2+E	5.9	3	8946201912

Dimensions



1) 0° female insert

Valve plug connector, series CON-VP

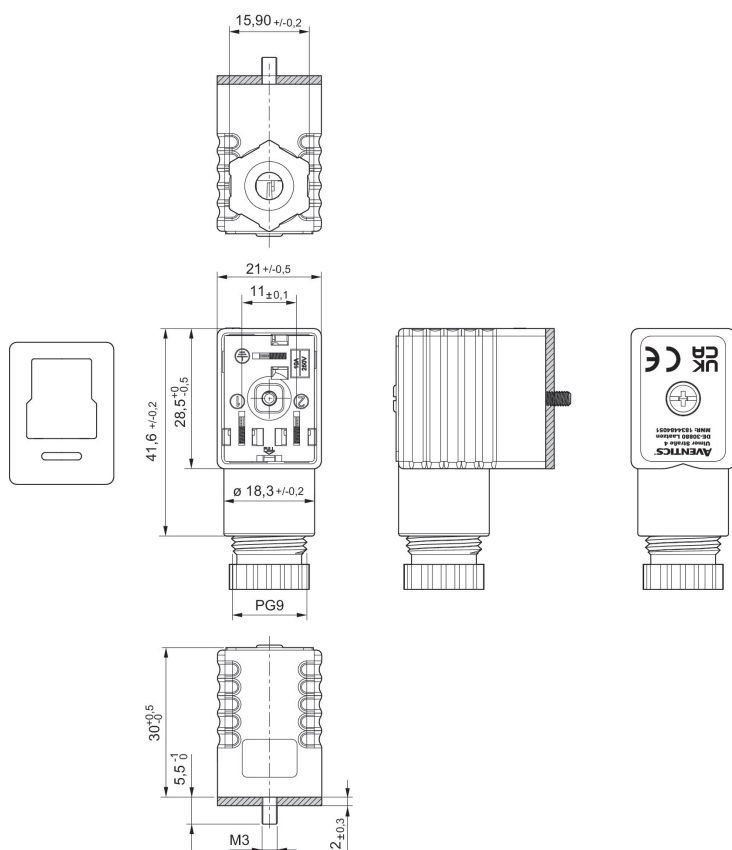
Form B, industry
CE declaration of conformity
UKCA



Operational voltage	Max. current [A]	Contact assignment	min. suitable cable Ø [mm]	max. suitable cable Ø [mm]	Part No.
300 V DC / 250 V AC	10	2+E	4	8	1834484051

1834484051

Dimensions



Flat gasket

Valve plug connector, series CON-VP

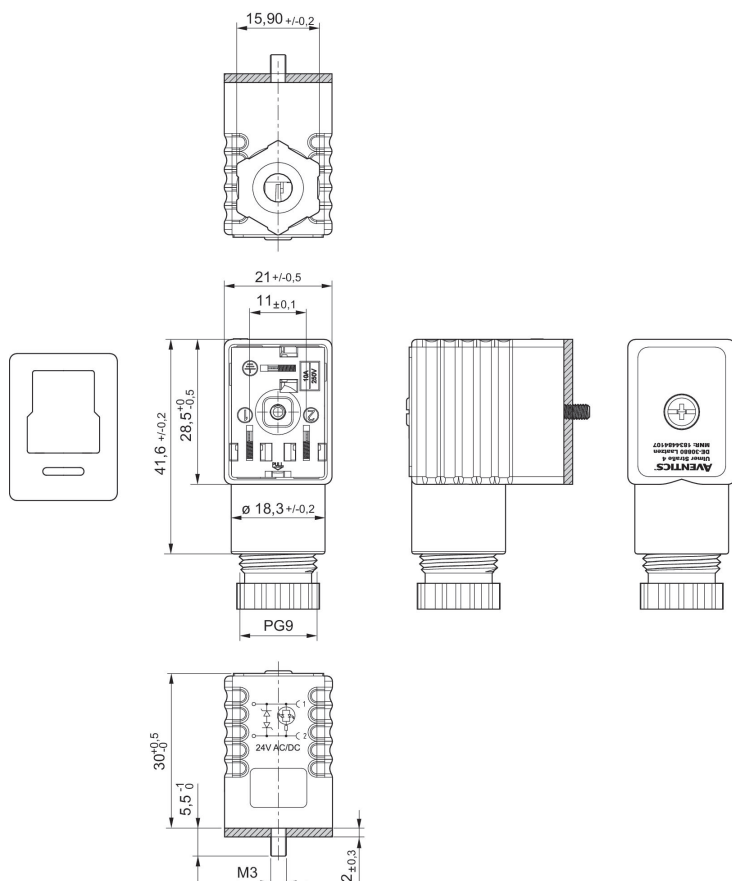
Form B, industry



Operational voltage	Protective circuit	Max. current [A]	Contact assignment	LED status display	min. suitable cable Ø [mm]	max. suitable cable Ø [mm]	Part No.
24 V AC/DC	2 Z-diodes	1.5	2+E	Yellow	4	8	1834484107

1834484107

Dimensions



Flat gasket

Valve plug connector, series CON-VP

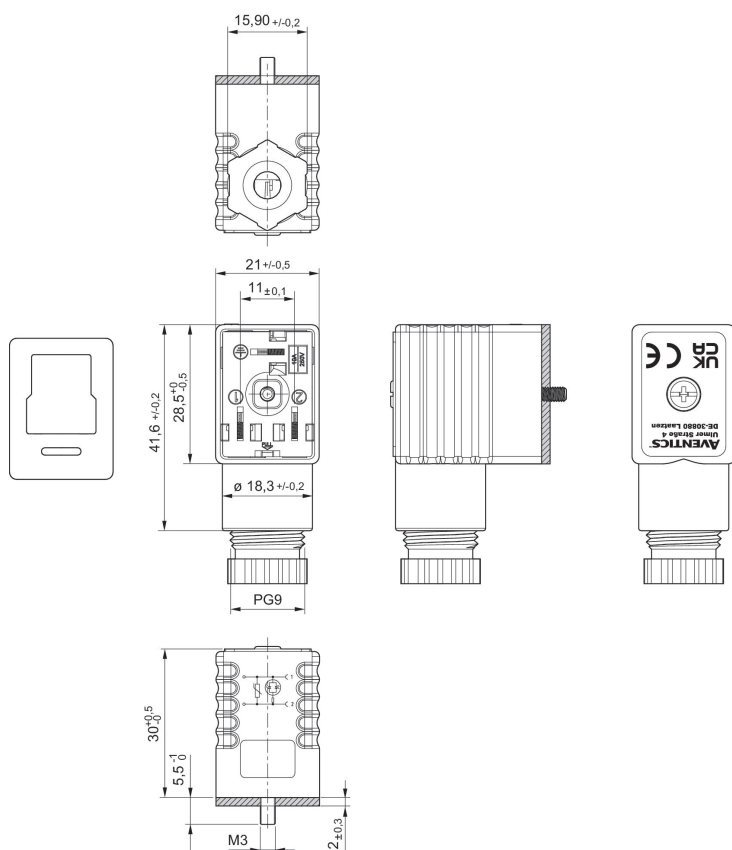
Form B, industry
CE declaration of conformity
UKCA



Operational voltage	Protective circuit	Max. current [A]	Contact assignment	LED status display	min. suitable cable Ø [mm]	max. suitable cable Ø [mm]	Part No.
115 V AC/DC	Varistor	1.5	2+E	Red	4	8	1834484108
230 V AC/DC	Varistor	1.5	2+E	Red	4	8	1834484109

1834484108, 1834484109

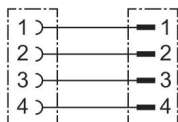
Dimensions



Flat gasket

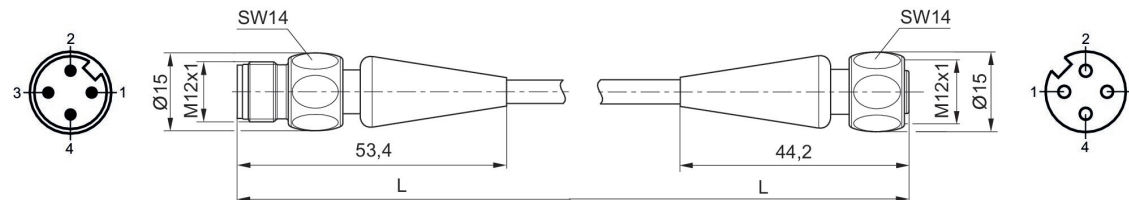
Round plug connector, Series CON-RD

Plug
Socket
M12x1
M12x1
4-pin
4-pin



Operational voltage	Current [A]	Shielding	Electrical connection 1, type	Electrical connection 1, thread size	Electrical connection 1, coding	Electrical connection 2, type	Electrical connection 2, thread size	Electrical connection 2, coding	Cable length [m]	Cable-Ø [mm]	Wire cross-section [mm²]	Min. ambient temperature [°C]	Max. ambient temperature [°C]	Part No.
240 V AC	4	unshielded	Socket	M12x1	A-coded	Plug	M12x1	A-coded	5	4.5	0.34	-40	105	R402003760
240 V AC	4	unshielded	Socket	M12x1	A-coded	Plug	M12x1	A-coded	10	4.5	0.34	-40	105	R402003761
240 V AC	4	unshielded	Socket	M12x1	A-coded	Plug	M12x1	A-coded	15	4.5	0.34	-40	105	R402003762

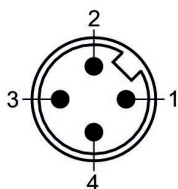
Dimensions



L = cable length

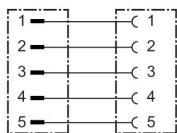
R402003760, R402003761, R402003762

Plug pin assignment



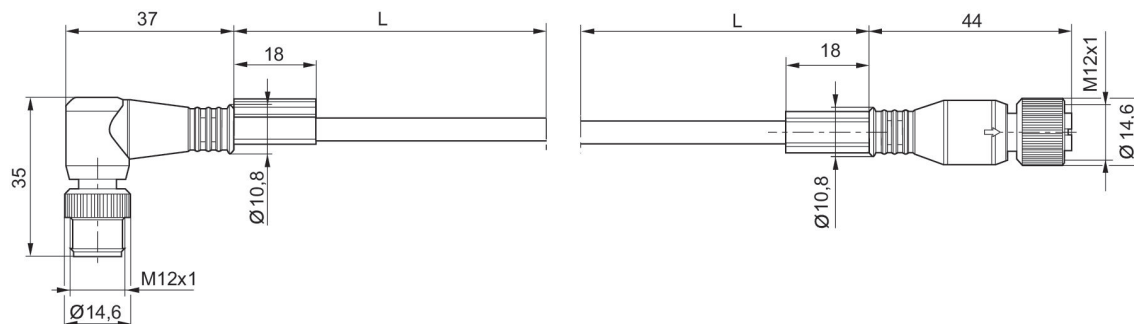
Round plug connector, Series CON-RD

Plug
Socket
M12x1
M12x1
5-pin
5-pin



Operational voltage	Current [A]	Shielding	Electrical connection 1, type	Electrical connection 1, thread size	Electrical connection 1, coding	Electrical connection 2, type	Electrical connection 2, thread size	Electrical connection 2, coding	Cable length [m]	Cable-Ø [mm]	Wire cross-section [mm²]	Min. ambient temperature [°C]	Max. ambient temperature [°C]	Part No.
48 V AC/DC	4	unshielded	Socket	M12x1	A-coded	Plug	M12x1	A-coded	2	5	0.34	-25	85	R412021694
48 V AC/DC	4	unshielded	Socket	M12x1	A-coded	Plug	M12x1	A-coded	5	5	0.34	-25	85	R412021695

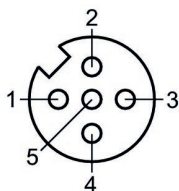
Dimensions



L = length

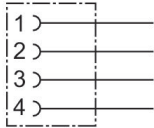
R412021694, R412021695

Pin assignment, socket



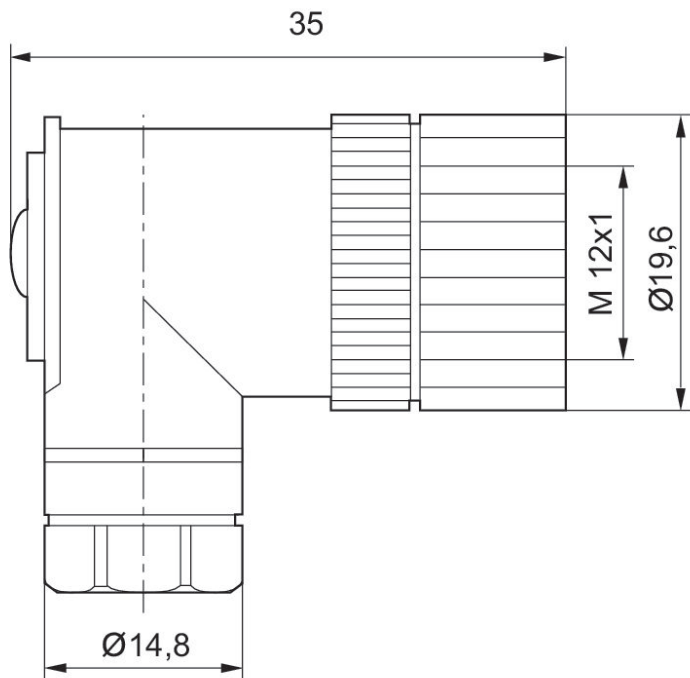
Round plug connector, Series CON-RD

Socket
M12x1
4-pin



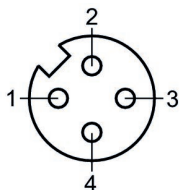
Operational voltage	Contact assignment	Coding	Shielding	Connection type	Max. current [A]	min. suitable cable Ø [mm]	Min. ambient temperature [°C]	Max. ambient temperature [°C]	Part No.
48 V AC/DC	4-pin	A-coded	unshielded	Screws	4	4	-40	85	1834484178

Dimensions



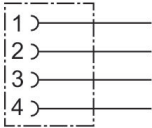
1834484178

Pin assignment, socket



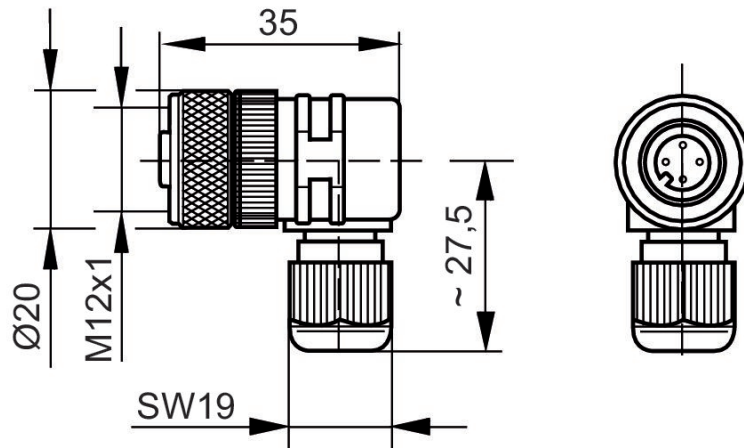
Round plug connector, Series CON-RD

Socket
M12x1
4-pin



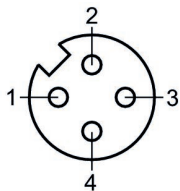
Operational voltage	Contact assignment	Coding	Shielding	Connection type	Max. current [A]	min. suitable cable Ø [mm]	Min. ambient temperature [°C]	Max. ambient temperature [°C]	Part No.
48 V AC/DC	4-pin	A-coded	unshielded	Screws	4	4	-25	90	8941054424

Dimensions



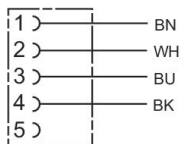
8941054424

Pin assignment, socket



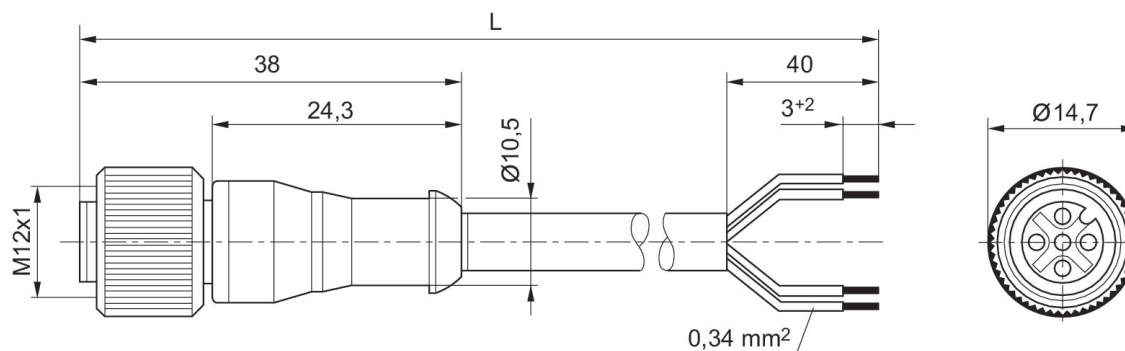
Round plug connector, Series CON-RD

Socket
M12x1
5-pin



Operational voltage	Current [A]	Shielding	Electrical connection 1, type	Electrical connection 1, thread size	Electrical connection 1, coding	Electrical connection 2, type	Cable length [m]	Cable-Ø [mm]	Wire cross-section [mm²]	Min. ambient temperature [°C]	Max. ambient temperature [°C]	Part No.
48 V AC/DC	4	unshielded	Socket	M12x1	A-coded	open cable ends	3	5.2	0.34	-25	70	1834484256
48 V AC/DC	4	unshielded	Socket	M12x1	A-coded	open cable ends	5	5.2	0.34	-25	70	1834484257
48 V AC/DC	4	unshielded	Socket	M12x1	A-coded	open cable ends	10	5.2	0.34	-25	70	1834484258

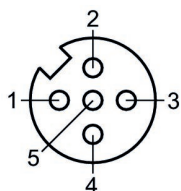
Dimensions



L = length

1834484256, 1834484257, 1834484258

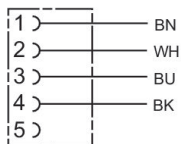
Pin assignment, socket



(1) BN=brown (2) WH=white (3) BU=blue (4) BK=black
(5) not assigned

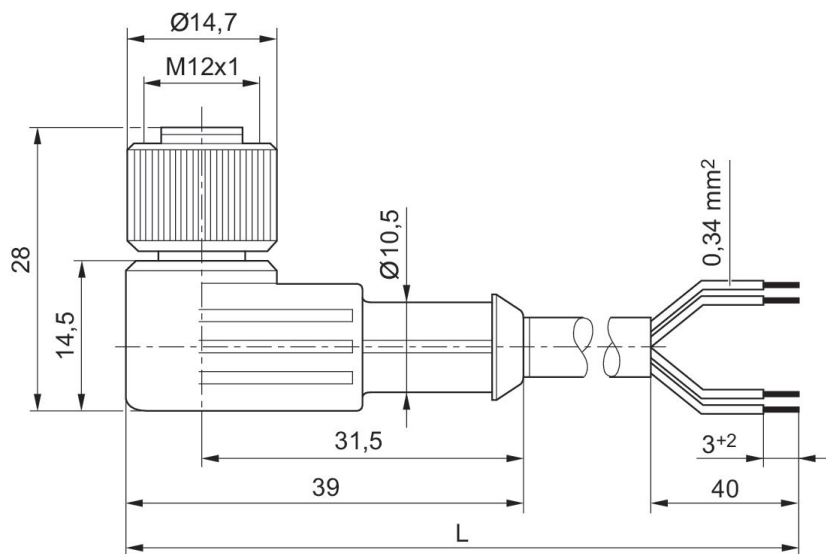
Round plug connector, Series CON-RD

Socket
M12x1
5-pin



Operational voltage	Current [A]	Shielding	Electrical connection 1, type	Electrical connection 1, thread size	Electrical connection 1, coding	Electrical connection 2, type	Cable length [m]	Cable-Ø [mm]	Wire cross-section [mm²]	Min. ambient temperature [°C]	Max. ambient temperature [°C]	Part No.
48 V AC/DC	4	unshielded	Socket	M12x1	A-coded	open cable ends	3	5.2	0.34	-40	85	1834484259
48 V AC/DC	4	unshielded	Socket	M12x1	A-coded	open cable ends	5	5.2	0.34	-40	85	1834484260
48 V AC/DC	4	unshielded	Socket	M12x1	A-coded	open cable ends	10	5.2	0.34	-40	85	1834484261

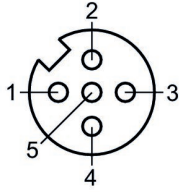
Dimensions



L = length

1834484259, 1834484260, 1834484261

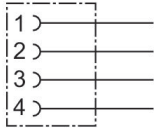
Pin assignment, socket



(1) BN=brown (2) WH=white (3) BU=blue (4) BK=black
(5) not assigned

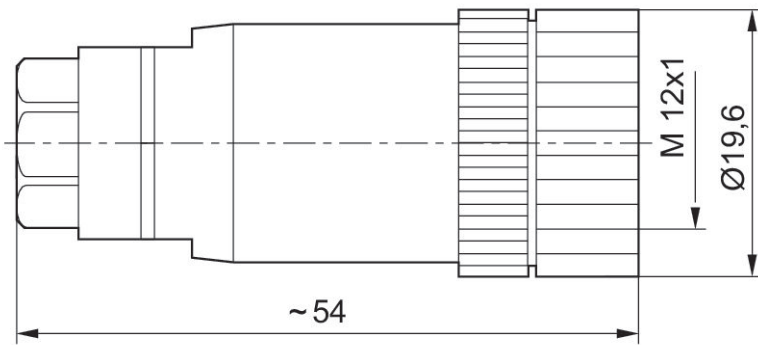
Round plug connector, Series CON-RD

Socket
M12x1
4-pin



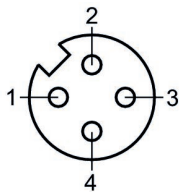
Operational voltage	Contact assignment	Coding	Shielding	Connection type	Max. current [A]	min. suitable cable Ø [mm]	max. suitable cable Ø [mm]	Min. ambient temperature [°C]	Max. ambient temperature [°C]	Part No.
48 V AC/DC	4-pin	A-coded	unshielded	Screws	4	4	6	-40	85	1834484177

Dimensions



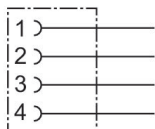
1834484177

Pin assignment, socket



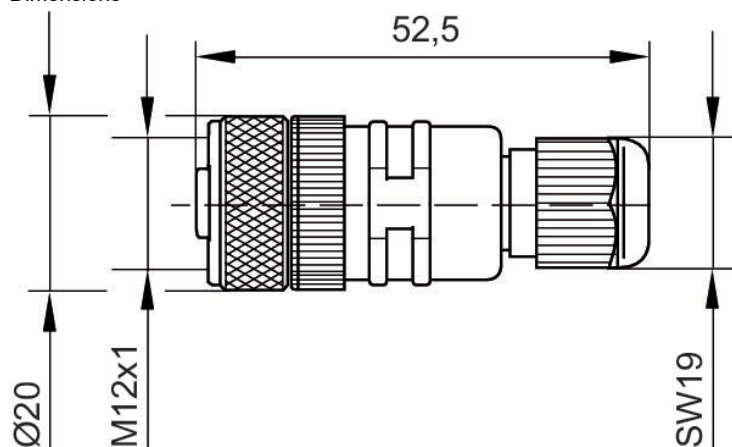
Round plug connector, Series CON-RD

Socket
M12x1
4-pin



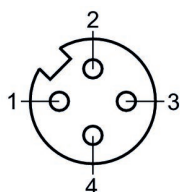
Operational voltage	Contact assignment	Coding	Shielding	Connection type	Max. current [A]	min. suitable cable Ø [mm]	Min. ambient temperature [°C]	Max. ambient temperature [°C]	Part No.
48 V AC/DC	4-pin	A-coded	unshielded	Screws	4	4	-25	90	8941054324

Dimensions



8941054324

Pin assignment, socket



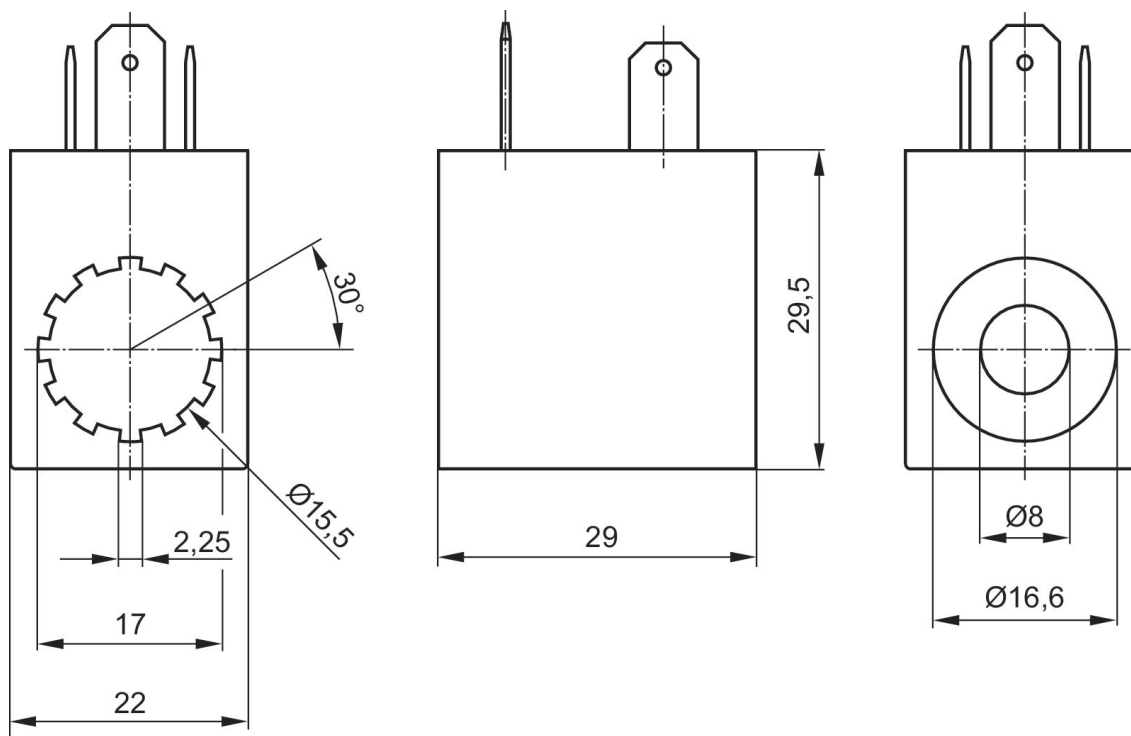
Coil, Series CO1

Plug
Form B, industry



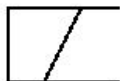
Operational voltage	Operational voltage AC at 50 Hz	Voltage tolerance DC	Voltage tolerance AC 50 Hz	Power consumption DC [W]	Holding power AC 50 Hz [VA]	Switch-on power AC 50 Hz [VA]	Part No.
12 V				5			0498317405
24 V		-10% / +10%		5			0498317502
24 V		-10% / +10%		2			0498318800
48 V				5			0498317618
110 V		-10% / +10%		5			0498317707
220 V		-10% / +10%		5			0498317804
	24 V		-10% / +10%		8	10	0498316905
	48 V		-10% / +10%		8	10	0498317006
	110 V		-10% / +10%		8	10	0498317103
	230 V		-10% / +10%		8	10	0498322506

Dimensions



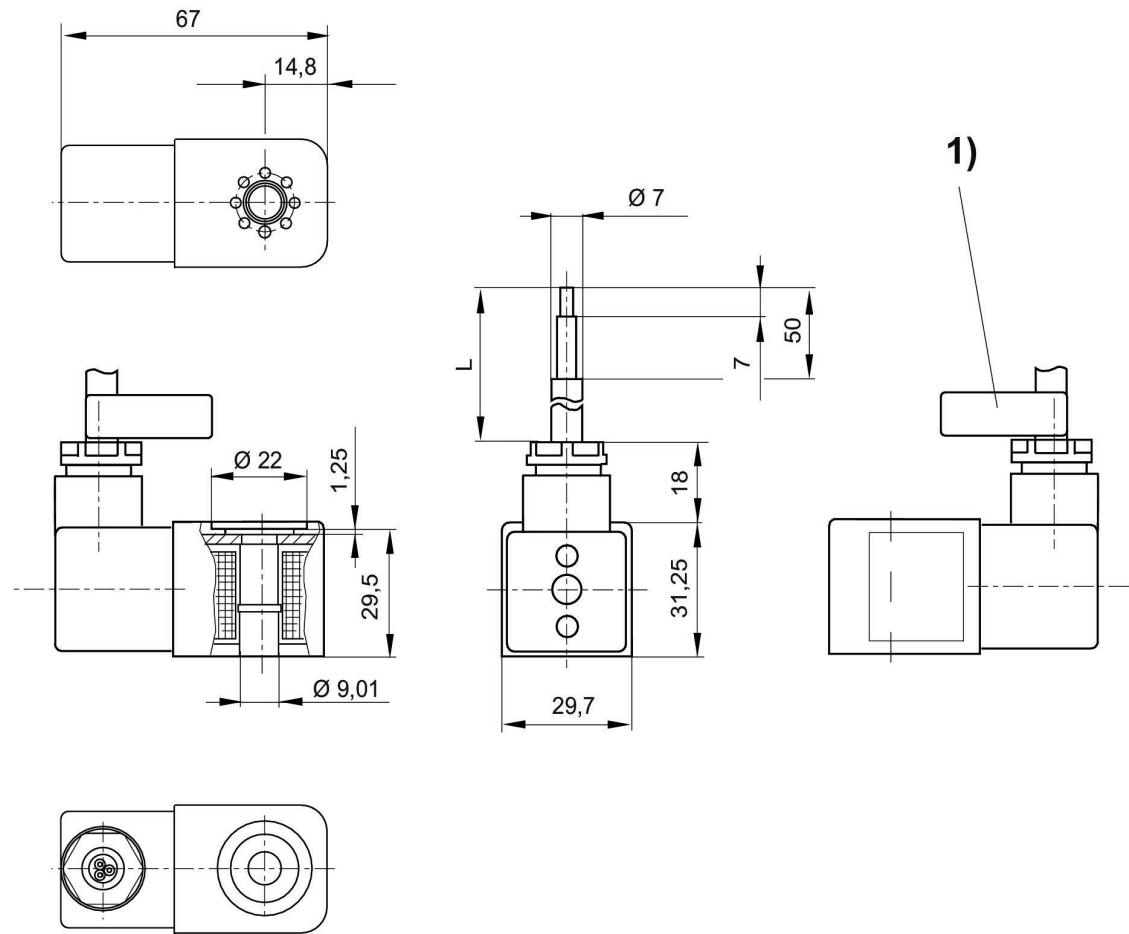
Coil, Series CO1

ATEX



Operational voltage	Operational voltage AC at 50 Hz	Operational voltage AC at 60 Hz	Voltage tolerance DC	Voltage tolerance AC 50 Hz	Power consumption DC [W]	Holding power AC 50 Hz [VA]	Switch-on power AC 50 Hz [VA]	Cable length [m]	Compatibility index	Part No.
	230 V	230 V		-10% / +10%		3	3.1	3	14	1827414297
	230 V	230 V		-10% / +10%		3	3.1	10	14	1827414298
	110 V	110 V		-10% / +10%		2.9	3	3	14	1827414299
	24 V	24 V		-10% / +10%		2.9	3	3	14	1827414301
24 V			-10% / +10%		3.25			3	14	1827414303
24 V			-10% / +10%		3.25			10	14	1827414304

Dimensions



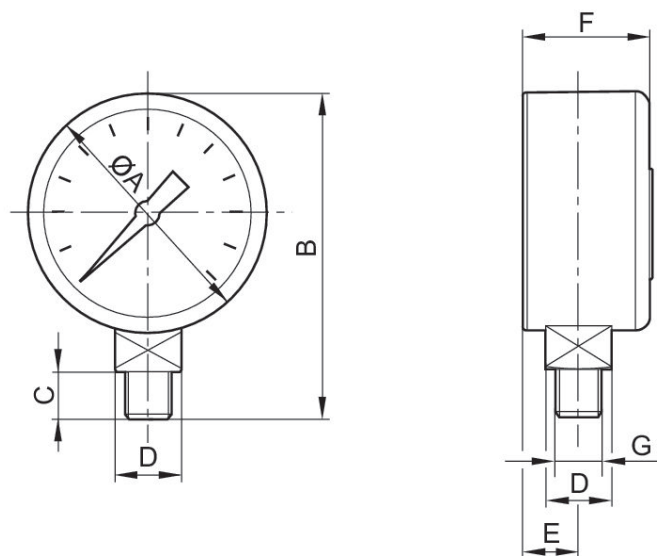
L = cable length
1) Cable ID band with serial number

Pressure gauge, Series PG1-ROU

EN 837-1

Type	Nominal diameter [mm]	Port	Min. main scale display range [bar]	Max. main scale display range [bar]	Min. main scale display range [bar]	Max. main scale display range [bar]	Part No.
Bourdon tube pressure gauge	50	R 1/8	0	10	0	12	8901703200

Dimensions



Dimensions in mm

Part No.	Compressed air connection	Nominal diameter	$\varnothing A$	B	C	D	F	E
8901703200	R 1/8	50 mm	50	66.5	10	SW14	27,5	10

Pressure gauge, Series PG1-SAS

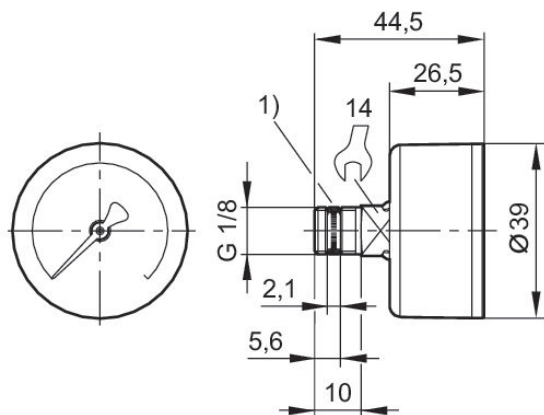
EN 837-1



Type	Nominal diameter [mm]	Port	Min. main scale display range [bar]	Max. main scale display range [bar]	Min. main scale display range [bar]	Max. main scale display range [bar]	Part No.
Bourdon tube pressure gauge	40	G 1/8	0	8	0	10	R412003857

R412003857

Dimensions in mm



1) Gasket thread

Valve cover seal, Valve housing seal

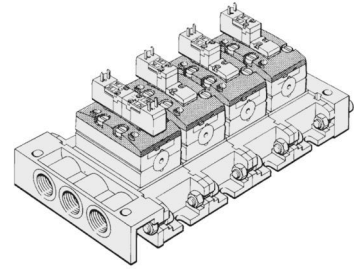
581



Type	Part No.
Valve cover seal, electrically operated valves	0490429204
Valve cover seal, pneumatically operated valves	0490429301
Valve cover seal, for valves with logic function	0490429409
Valve housing seal, between housing and base plate	0486704608

valve cover, with or without pilot valve

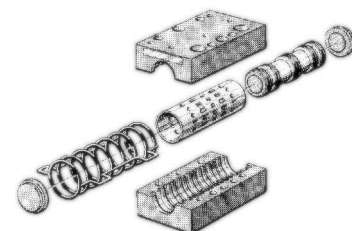
ISO 5599-1
581



Type	Part No.
5/2-directional valve, mono-stable	5813010000
2x3/2-, 5/2-, 5/3-directional valve	5813020000
5/2-directional valve, mono-stable	5813050000
2x3/2-, 5/2-, 5/3-directional valve	5813060000
all	5813080000

valve housing, without cover

ISO 5599-1
581



Type	Part No.
5/2-directional valve, mono-stable	5813100000
5/2-directional valve, double solenoid	5813200000
5/2-directional valve, double solenoid, with manual override	5813300000
5/2-way solenoid valve, with differential piston	5813600000
5/3-directional valve, closed center	5813400000
5/3-directional valve, exhausted center	5813500000
5/3-directional valve, pressurized center	5813700000

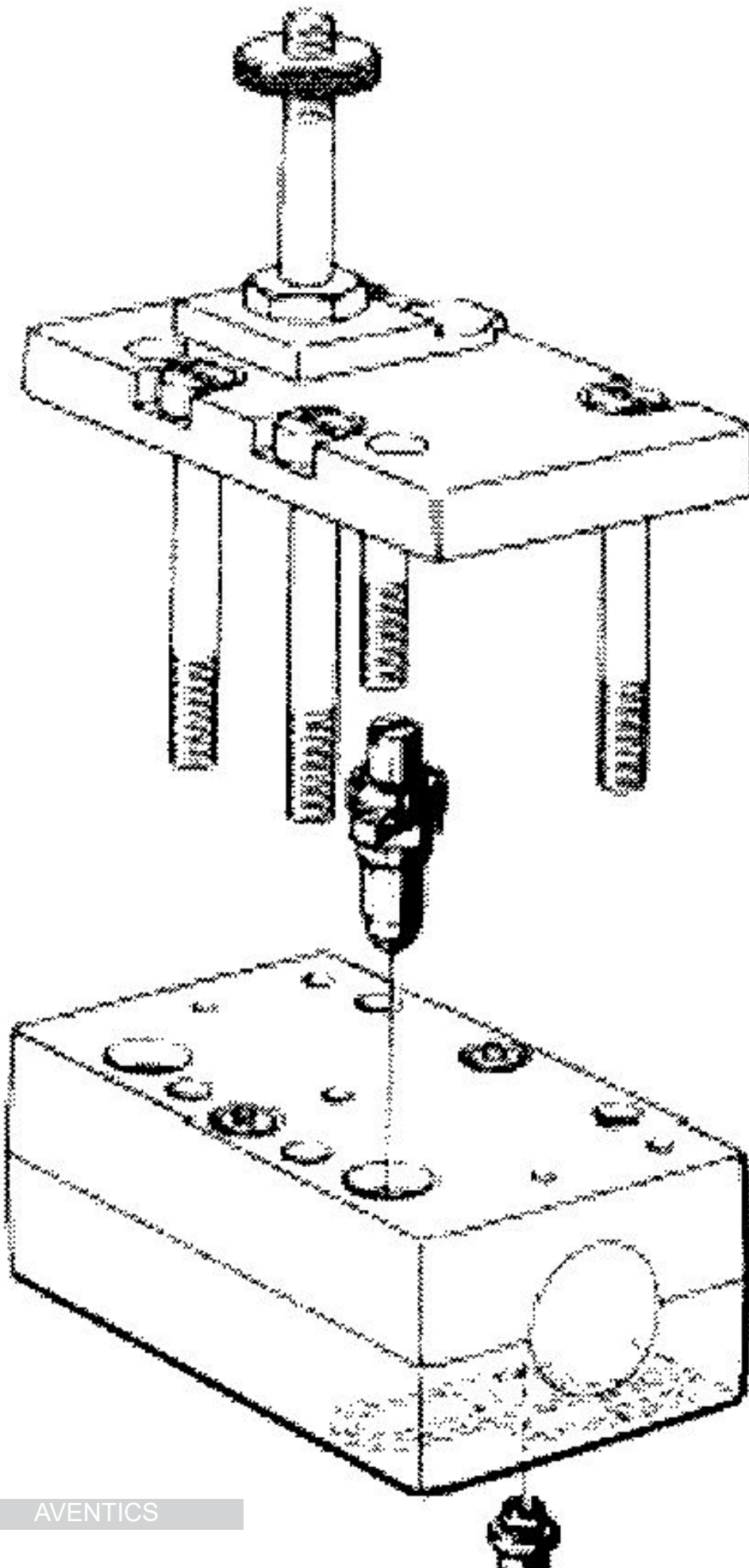
throttle insert for flow control in 3/5

581



Part No.
5813001000

Dimensions



Efficient pneumatic solutions, our program: cylinders and drives, valves and valve systems, air supply management



Visit us: [Emerson.com/Aventics](https://www.emerson.com/Aventics)

Your local contact: [Emerson.com/contactus](https://www.emerson.com/contactus)



[Emerson.com](https://www.emerson.com)



[Facebook.com/EmersonAutomationSolutions](https://www.facebook.com/EmersonAutomationSolutions)



[LinkedIn.com/company/Emerson-Automation-Solutions](https://www.linkedin.com/company/Emerson-Automation-Solutions)



[Twitter.com/EMR_Automation](https://twitter.com/EMR_Automation)

An example configuration is depicted on the title page. The delivered product may thus vary from that in the illustration. Subject to change. This Document, as well as the data, specifications and other information set forth in it, are the exclusive property of AVENTICS GmbH. It may not be reproduced or given to third parties without its consent. Only use the AVENTICS products shown in industrial applications. Read the product documentation completely and carefully before using the product. Observe the applicable regulations and laws of the respective country. When integrating the product into applications, note the system manufacturer's specifications for safe use of the product. The data specified only serve to describe the product. No statements concerning a certain condition or suitability for a certain application can be derived from our information. The information given does not release the user from the obligation of own judgment and verification. It must be remembered that the products are subject to a natural process of wear and aging.

The Emerson logo is a trademark and service mark of Emerson Electric Co. Brand logotype are registered trademarks of one of the Emerson family of companies. All other marks are the property of their respective owners. © 2019 Emerson Electric Co. All rights reserved.



CONSIDER IT SOLVED™