

**Series 581, size 4**



**AVENTICS™**

**AVENTICS Series 581 - Size 4  
Standardized valves**



## **AVENTICS Series 581 - Size 4 Standardized valves**

The AVENTICS Series 581 complies with the valve standard ISO 5599-1. Due to the level of modularity, the Series offers all valve functions, integrated throttle valves, various pilot coils, and a comprehensive range of accessories.

- Standardized valve system
- Robust design
- Numerous voltage ranges
- Pressure range up to 16 bar possible
- CNOMO interface
- Small dimensions
- Fast shifting times
- Easy and flexible custom specific configurations via online configurator



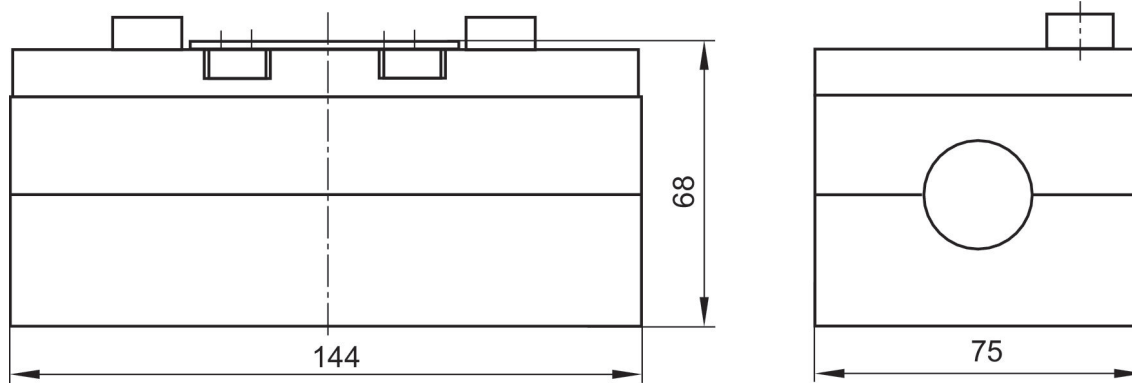
**5/2-directional valve, Series 581, size 4**

6000 l/min  
ISO 5599-1  
Base plate connection  
Electrically  
Basic valve without pilot valve



Min. working pressure [bar]	Max. working pressure [bar]	Pilot	Part No.
-0.95	16	External, Internal	5814680100

Dimensions



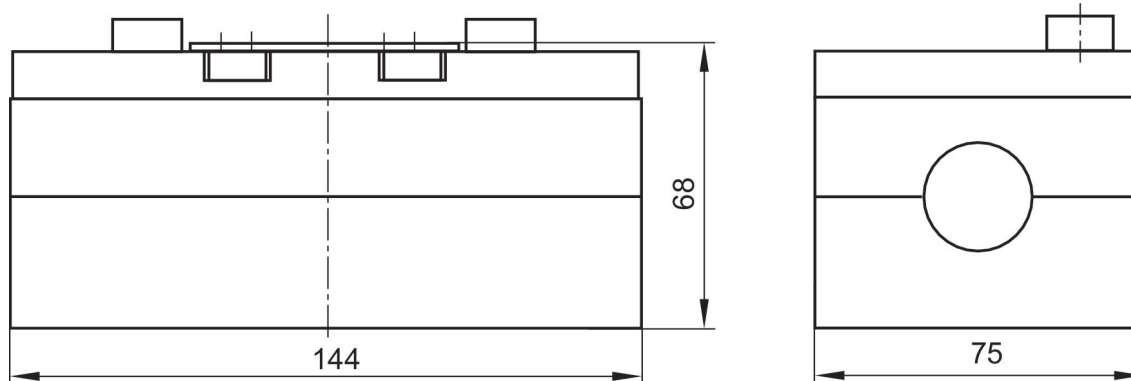
**5/2-directional valve, Series 581, size 4**

6000 l/min  
Double Solenoid  
ISO 5599-1  
Base plate connection  
Electrically  
Basic valve without pilot valve



Min. working pressure [bar]	Max. working pressure [bar]	Pilot	Part No.
-0.95	16	External, Internal	5814280100

Dimensions



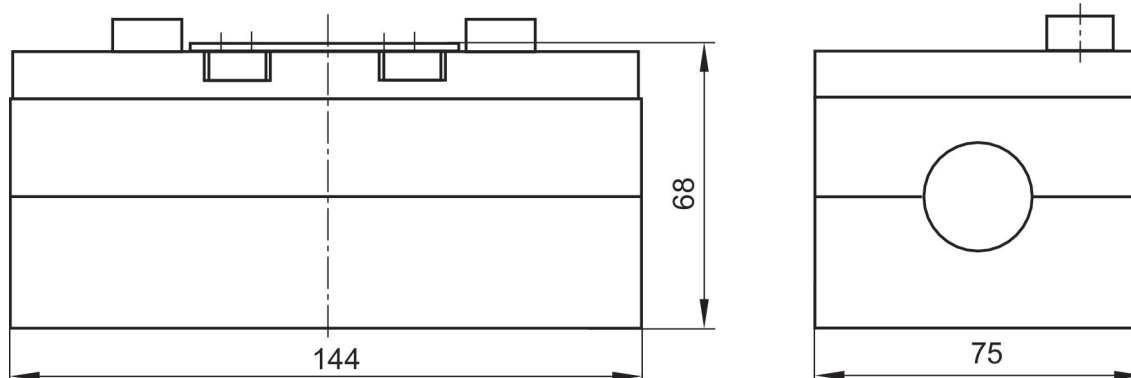
**5/2-directional valve, Series 581, size 4**

6000 l/min  
Single Solenoid  
ISO 5599-1  
Base plate connection  
Electrically  
Basic valve without pilot valve  
Base plate ISO 5599-1  
Base plate ISO 5599-1



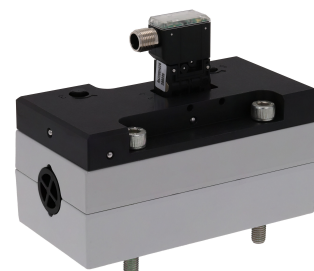
Min. working pressure [bar]	Max. working pressure [bar]	Pilot	Part No.
-0.95	16	External, Internal	5814180100

Dimensions



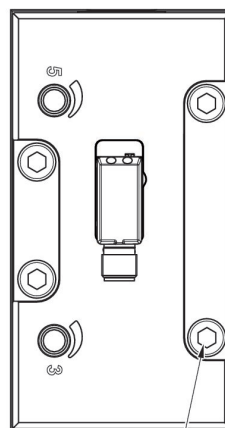
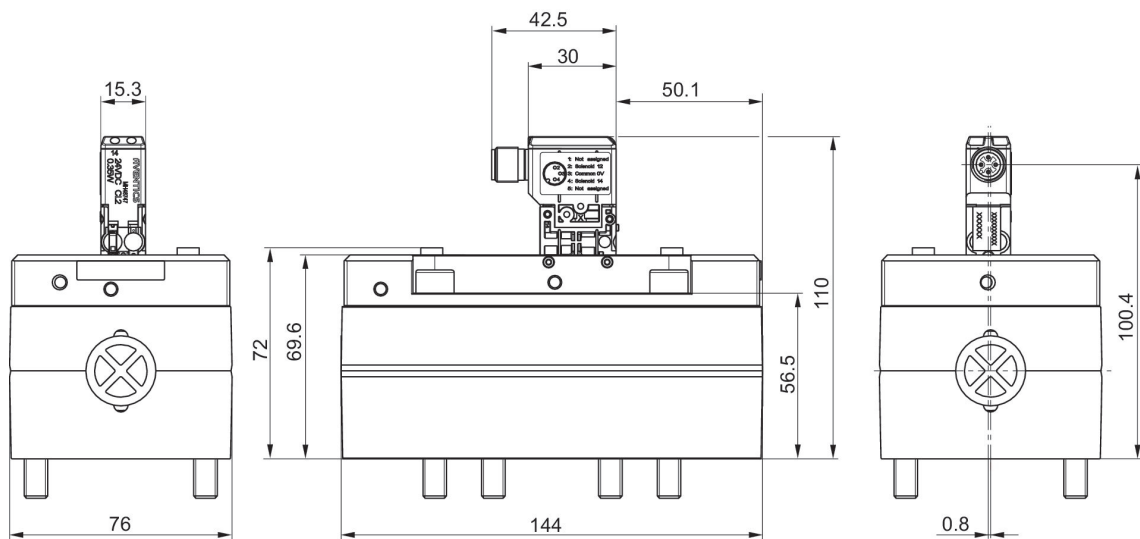
**5/2-directional valve, Series 581, size 4**

4800 l/min  
Single Solenoid  
ISO 5599-1  
Plug  
M12  
Base plate connection  
Electrically  
4-pin  
Base plate ISO 5599-1  
Base plate ISO 5599-1



Min. working pressure [bar]	Max. working pressure [bar]	Operational voltage	Voltage tolerance DC	Power consumption DC [W]	Pilot	Throttle	Manual override	Part No.
-0.95	10	24 V	-10% / +10%	0.35	External		without detent	5814112720
-0.95	10	24 V	-10% / +10%	0.35	External		with detent	5814112710
-0.95	10	24 V	-10% / +10%	0.35	Internal		without detent	5814110720
-0.95	10	24 V	-10% / +10%	0.35	Internal		with detent	5814110710
-0.95	10	24 V	-10% / +10%	0.35	External	with throttle	without detent	5814113720
-0.95	10	24 V	-10% / +10%	0.35	External	with throttle	with detent	5814113710
-0.95	10	24 V	-10% / +10%	0.35	Internal	with throttle	without detent	5814111720
-0.95	10	24 V	-10% / +10%	0.35	Internal	with throttle	with detent	5814111710

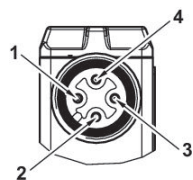
Dimensions



Ma: max. 10 Nm (4x)

**5814112720, 5814112710, 5814110720, 5814110710, 5814113720, 5814113710, 5814111720, 5814111710**

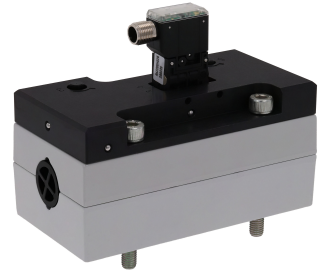
Pin assignments



- 1) not assigned
- 2) Coil 12
- 3) 0 V DC
- 4) Coil 14

**5/2-directional valve, Series 581, size 4**

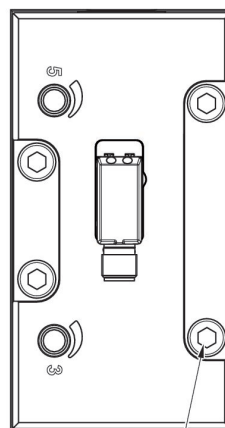
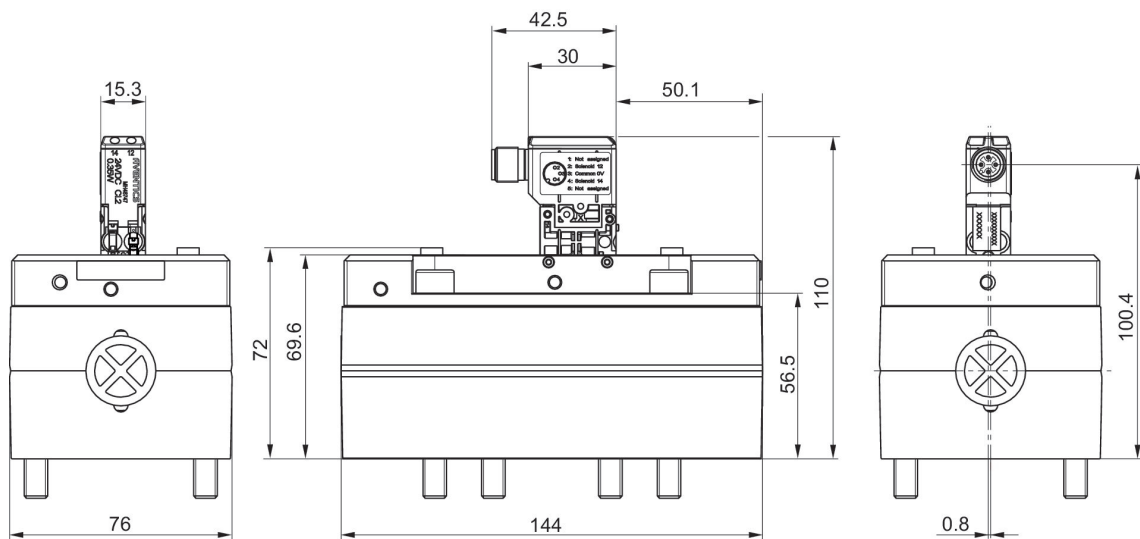
4800 l/min  
Double Solenoid  
ISO 5599-1  
Plug  
M12  
Base plate connection  
Electrically  
4-pin  
Base plate ISO 5599-1  
Base plate ISO 5599-1



Min. working pressure [bar]	Max. working pressure [bar]	Operational voltage	Voltage tolerance DC	Power consumption DC [W]	Pilot	Throttle	Manual override	Part No.
-0.95	10	24 V	-10% / +10%	0.35	External		without detent	5814222720
-0.95	10	24 V	-10% / +10%	0.35	External		with detent	5814222710
-0.95	10	24 V	-10% / +10%	0.35	Internal		without detent	5814220720
-0.95	10	24 V	-10% / +10%	0.35	Internal		with detent	5814220710
-0.95	10	24 V	-10% / +10%	0.35	External	with throttle	without detent	5814223720
-0.95	10	24 V	-10% / +10%	0.35	External	with throttle	with detent	5814223710
-0.95	10	24 V	-10% / +10%	0.35	Internal	with throttle	without detent	5814221720
-0.95	10	24 V	-10% / +10%	0.35	Internal	with throttle	with detent	5814221710



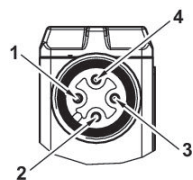
Dimensions



Ma: max. 10 Nm (4x)

**5814222720, 5814222710, 5814220720, 5814220710, 5814223720, 5814223710, 5814221720, 5814221710**

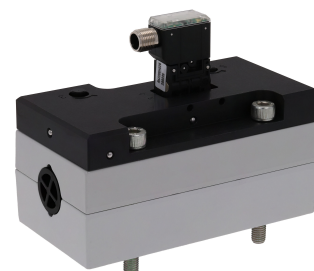
Pin assignments



- 1) not assigned
- 2) Coil 12
- 3) 0 V DC
- 4) Coil 14

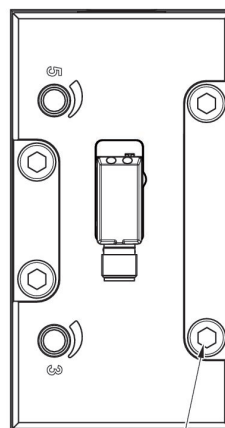
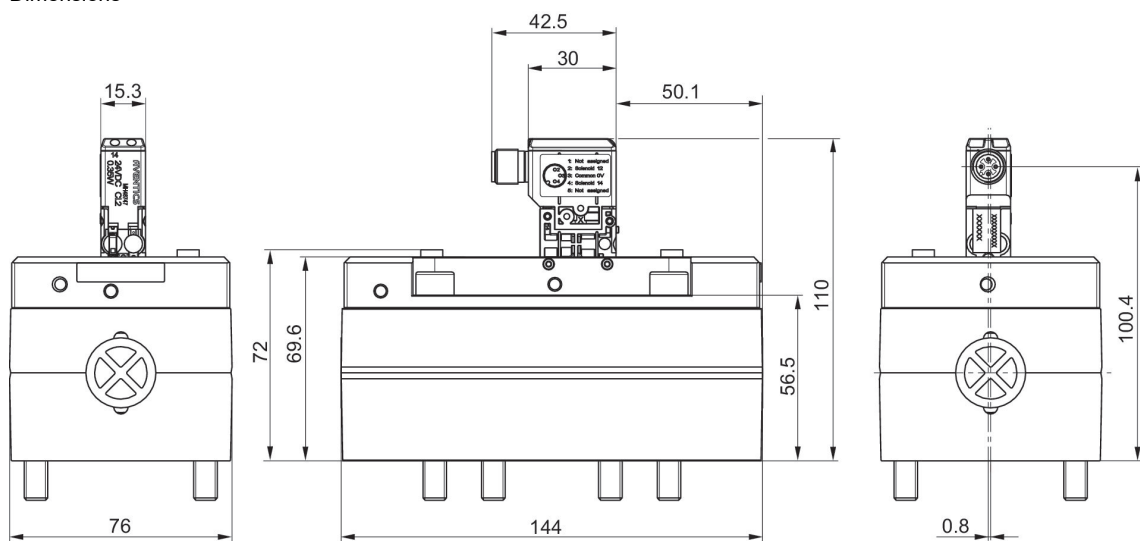
**5/2-directional valve, Series 581, size 4**

4800 l/min  
ISO 5599-1  
Plug  
M12  
Base plate connection  
Electrically  
4-pin  
Base plate ISO 5599-1  
Base plate ISO 5599-1



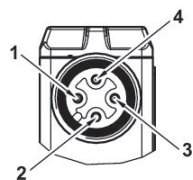
Min. working pressure [bar]	Max. working pressure [bar]	Operational voltage	Voltage tolerance DC	Power consumption DC [W]	Pilot	Throttle	Manual override	Part No.
-0.95	10	24 V	-10% / +10%	0.35	External		without detent	5814612720
-0.95	10	24 V	-10% / +10%	0.35	External		with detent	5814612710
-0.95	10	24 V	-10% / +10%	0.35	Internal		without detent	5814610720
-0.95	10	24 V	-10% / +10%	0.35	Internal		with detent	5814610710
-0.95	10	24 V	-10% / +10%	0.35	External	with throttle	without detent	5814613720
-0.95	10	24 V	-10% / +10%	0.35	External	with throttle	with detent	5814613710
-0.95	10	24 V	-10% / +10%	0.35	Internal	with throttle	without detent	5814611720
-0.95	10	24 V	-10% / +10%	0.35	Internal	with throttle	with detent	5814611710

Dimensions



**5814612720, 5814612710, 5814610720, 5814610710, 5814613720, 5814613710, 5814611720, 5814611710**

Pin assignments



- 1) not assigned
- 2) Coil 12
- 3) 0 V DC
- 4) Coil 14

**5/2-directional valve, Series 581, size 4**

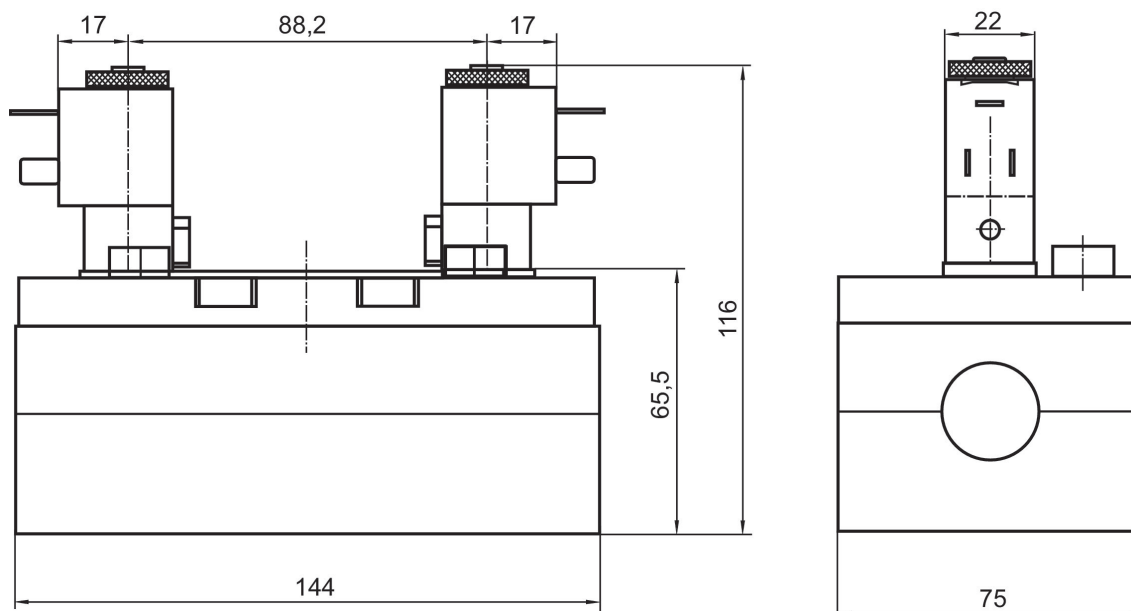
6000 l/min  
Double Solenoid  
ISO 5599-1  
Plug  
Form B, industry  
Base plate connection  
Internal thread  
Electrically  
Base plate ISO 5599-1  
Base plate ISO 5599-1



Min. working pressure [bar]	Max. working pressure [bar]	Operational voltage	Operational voltage	Operational voltage	Voltage tolerance DC	Power consumption DC [W]	Pilot	Throttle	Manual override	Part No.
1.5	10	12 V			-10% / +10%	5	Internal		with detent	5814220500
1.5	10		24 V				Internal		with detent	5814220200
1.5	10	24 V			-10% / +10%	5	Internal		with detent	5814220100
1.5	10	48 V			-10% / +10%	5	Internal		with detent	5814220600
1.5	10			110 V			Internal		with detent	5814220300
1.5	10		230 V				Internal		with detent	5814220400
1.5	10						Internal		with detent	5814220000
1.5	10	12 V			-10% / +10%	5	Internal	with throttle	with detent	5814221500
1.5	10		24 V				Internal	with throttle	with detent	5814221200
1.5	10	24 V			-10% / +10%	5	Internal	with throttle	with detent	5814221100
1.5	10	48 V			-10% / +10%	5	Internal	with throttle	with detent	5814221600
1.5	10			110 V			Internal	with throttle	with detent	5814221300
1.5	10		230 V				Internal	with throttle	with detent	5814221400
1.5	10						Internal	with throttle	with detent	5814221000
-0.95	10	12 V			-10% / +10%	5	External		with detent	5814222500
-0.95	10		24 V				External		with detent	5814222200
-0.95	10	24 V			-10% / +10%	5	External		with detent	5814222100
-0.95	10	48 V			-10% / +10%	5	External		with detent	5814222600
-0.95	10			110 V			External		with detent	5814222300
-0.95	10		230 V				External		with detent	5814222400
-0.95	10						External		with detent	5814222000

Min. working pressure [bar]	Max. working pressure [bar]	Operational voltage	Operational voltage	Operational voltage	Voltage tolerance DC	Power consumption DC [W]	Pilot	Throttle	Manual override	Part No.
-0.95	10	12 V			-10% / +10%	5	External	with throttle	with detent	5814223500
-0.95	10		24 V				External	with throttle	with detent	5814223200
-0.95	10	24 V			-10% / +10%	5	External	with throttle	with detent	5814223100
-0.95	10	48 V			-10% / +10%	5	External	with throttle	with detent	5814223600
-0.95	10			110 V			External	with throttle	with detent	5814223300
-0.95	10		230 V				External	with throttle	with detent	5814223400
-0.95	10						External	with throttle	with detent	5814223000

Dimensions



The pilot valves can be loosened and turned through 180°.

**5/2-directional valve, Series 581, size 4**

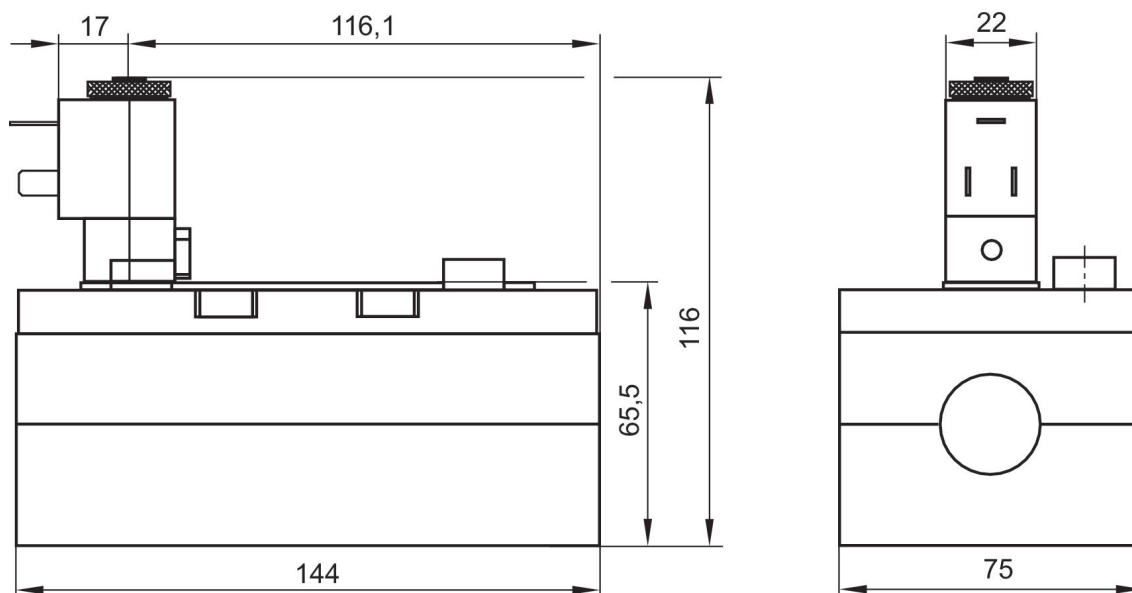
6000 l/min  
ISO 5599-1  
Plug  
Form B, industry  
Base plate connection  
Internal thread  
Electrically  
Base plate ISO 5599-1  
Base plate ISO 5599-1



Min. working pressure [bar]	Max. working pressure [bar]	Operational voltage	Operational voltage	Operational voltage	Voltage tolerance DC	Power consumption DC [W]	Pilot	Throttle	Manual override	Part No.
1.5	10	12 V			-10% / +10%	5	Internal		with detent	5814610500
1.5	10		24 V				Internal		with detent	5814610200
1.5	10	24 V			-10% / +10%	5	Internal		with detent	5814610100
1.5	10	48 V			-10% / +10%	5	Internal		with detent	5814610600
1.5	10			110 V			Internal		with detent	5814610300
1.5	10		230 V				Internal		with detent	5814610400
1.5	10						Internal		with detent	5814610000
1.5	10	12 V			-10% / +10%	5	Internal	with throttle	with detent	5814611500
1.5	10		24 V				Internal	with throttle	with detent	5814611200
1.5	10	24 V			-10% / +10%	5	Internal	with throttle	with detent	5814611100
1.5	10	48 V			-10% / +10%	5	Internal	with throttle	with detent	5814611600
1.5	10			110 V			Internal	with throttle	with detent	5814611300
1.5	10		230 V				Internal	with throttle	with detent	5814611400
1.5	10						Internal	with throttle	with detent	5814611000
-0.95	10	12 V			-10% / +10%	5	External		with detent	5814612500
-0.95	10		24 V				External		with detent	5814612200
-0.95	10	24 V			-10% / +10%	5	External		with detent	5814612100
-0.95	10	48 V			-10% / +10%	5	External		with detent	5814612600
-0.95	10			110 V			External		with detent	5814612300
-0.95	10		230 V				External		with detent	5814612400
-0.95	10						External		with detent	5814612000

Min. working pressure [bar]	Max. working pressure [bar]	Operational voltage	Operational voltage	Operational voltage	Voltage tolerance DC	Power consumption DC [W]	Pilot	Throttle	Manual override	Part No.
-0.95	10	12 V			-10% / +10%	5	External	with throttle	with detent	5814613500
-0.95	10		24 V				External	with throttle	with detent	5814613200
-0.95	10	24 V			-10% / +10%	5	External	with throttle	with detent	5814613100
-0.95	10	48 V			-10% / +10%	5	External	with throttle	with detent	5814613600
-0.95	10			110 V			External	with throttle	with detent	5814613300
-0.95	10		230 V				External	with throttle	with detent	5814613400
-0.95	10						External	with throttle	with detent	5814613000

Dimensions



The pilot valves can be loosened and turned through 180°.

**5/2-directional valve, Series 581, size 4**

6000 l/min  
Single Solenoid  
ISO 5599-1  
Plug  
Form B, industry  
Base plate connection  
Internal thread  
Electrically  
Base plate ISO 5599-1  
Base plate ISO 5599-1

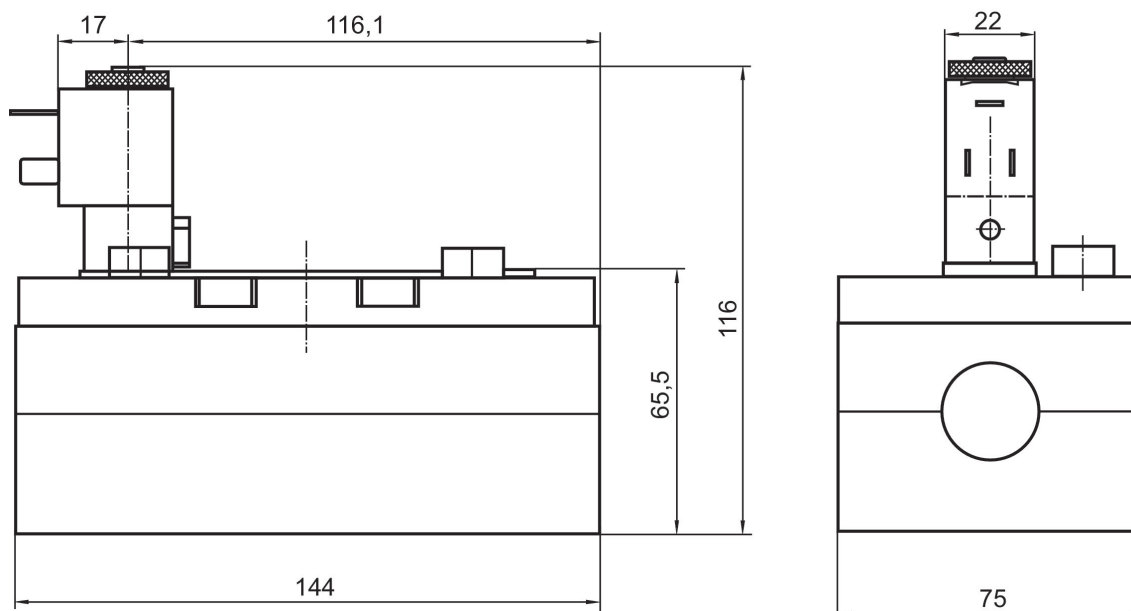


Min. working pressure [bar]	Max. working pressure [bar]	Operational voltage	Operational voltage	Operational voltage	Voltage tolerance DC	Power consumption DC [W]	Pilot	Throttle	Manual override	Part No.
3	10	12 V			-10% / +10%	5	Internal		with detent	5814110500
3	10		24 V				Internal		with detent	5814110200
3	10	24 V			-10% / +10%	5	Internal		with detent	5814110100
3	10	48 V			-10% / +10%	5	Internal		with detent	5814110600
3	10			110 V			Internal		with detent	5814110300
3	10		230 V				Internal		with detent	5814110400
3	10						Internal		with detent	5814110000
3	10	12 V			-10% / +10%	5	Internal	with throttle	with detent	5814111500
3	10		24 V				Internal	with throttle	with detent	5814111200
3	10	24 V			-10% / +10%	5	Internal	with throttle	with detent	5814111100
3	10	48 V			-10% / +10%	5	Internal	with throttle	with detent	5814111600
3	10			110 V			Internal	with throttle	with detent	5814111300
3	10		230 V				Internal	with throttle	with detent	5814111400
3	10						Internal	with throttle	with detent	5814111000
-0.95	10	12 V			-10% / +10%	5	External		with detent	5814112500
-0.95	10		24 V				External		with detent	5814112200
-0.95	10	24 V			-10% / +10%	5	External		with detent	5814112100
-0.95	10	48 V			-10% / +10%	5	External		with detent	5814112600
-0.95	10			110 V			External		with detent	5814112300
-0.95	10		230 V				External		with detent	5814112400
-0.95	10						External		with detent	5814112000



Min. working pressure [bar]	Max. working pressure [bar]	Operational voltage	Operational voltage	Operational voltage	Voltage tolerance DC	Power consumption DC [W]	Pilot	Throttle	Manual override	Part No.
-0.95	10	12 V			-10% / +10%	5	External	with throttle	with detent	5814113500
-0.95	10		24 V				External	with throttle	with detent	5814113200
-0.95	10	24 V			-10% / +10%	5	External	with throttle	with detent	5814113100
-0.95	10	48 V			-10% / +10%	5	External	with throttle	with detent	5814113600
-0.95	10			110 V			External	with throttle	with detent	5814113300
-0.95	10		230 V				External	with throttle	with detent	5814113400
-0.95	10						External	with throttle	with detent	5814113000

Dimensions



The pilot valves can be loosened and turned through 180°.

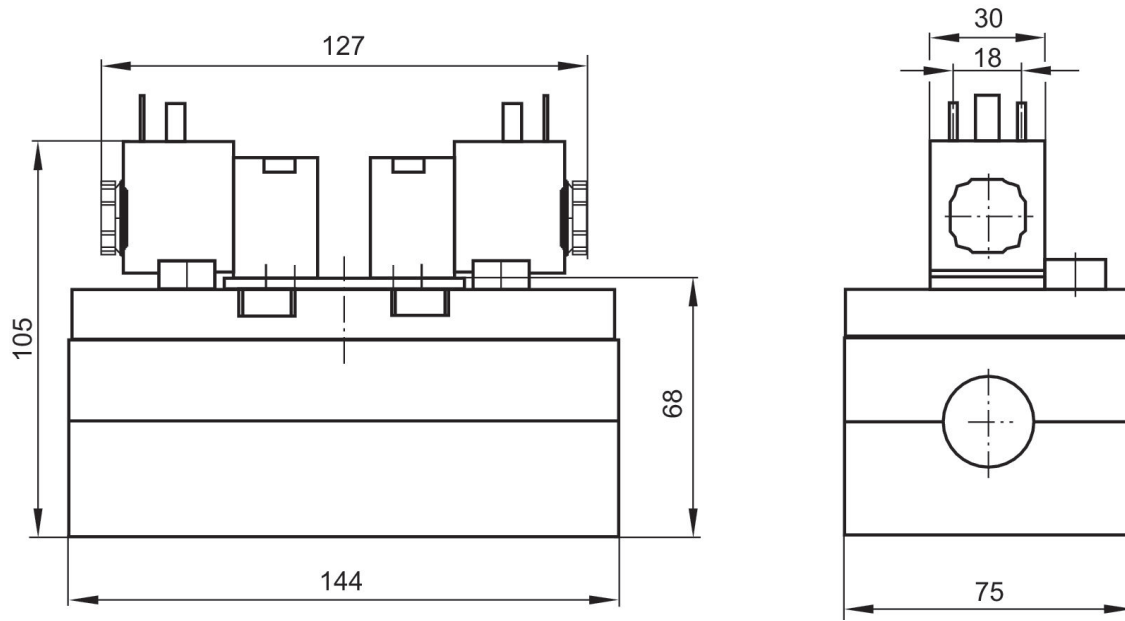
**5/2-directional valve, Series 581, size 4**

6000 l/min  
Double Solenoid  
ISO 5599-1  
Plug  
EN 175301-803, form A  
Base plate connection  
Internal thread  
Electrically  
Base plate ISO 5599-1  
Base plate ISO 5599-1



Min. working pressure [bar]	Max. working pressure [bar]	Operational voltage	Operational voltage	Voltage tolerance DC	Power consumption DC [W]	Pilot	Throttle	Manual override	Compatibility index	Part No.
1.5	10	24 V		-10% / +10%	2	Internal		with detent, without detent	14	5814290650
1.5	10		230 V			Internal		with detent, without detent	14	5814290450
1.5	10	24 V		-10% / +10%	2	Internal	with throttle	with detent, without detent	14	5814291650
1.5	10		230 V			Internal	with throttle	with detent, without detent	14	5814291450
-0.95	10	24 V		-10% / +10%	2	External		with detent, without detent	14	5814292650
-0.95	10		230 V			External		with detent, without detent	14	5814292450
-0.95	10	24 V		-10% / +10%	2	External	with throttle	with detent, without detent	14	5814293650
-0.95	10		230 V			External	with throttle	with detent, without detent	14	5814293450

Dimensions



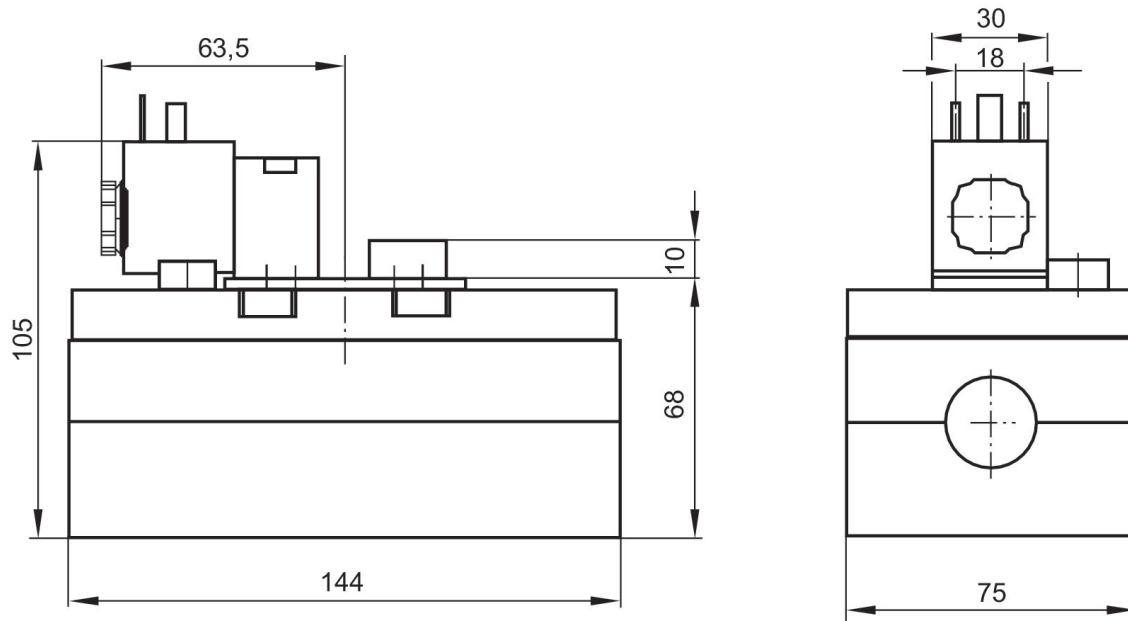
**5/2-directional valve, Series 581, size 4**

6000 l/min  
ISO 5599-1  
Plug  
EN 175301-803, form A  
Base plate connection  
Internal thread  
Electrically  
Base plate ISO 5599-1  
Base plate ISO 5599-1



Min. working pressure [bar]	Max. working pressure [bar]	Operational voltage	Operational voltage	Voltage tolerance DC	Power consumption DC [W]	Pilot	Throttle	Manual override	Compatibility index	Part No.
1.5	10	24 V		-10% / +10%	2	Internal		with detent, without detent	14	5814670650
1.5	10		230 V			Internal		with detent, without detent	14	5814670450
1.5	10	24 V		-10% / +10%	2	Internal	with throttle	with detent, without detent	14	5814671650
1.5	10		230 V			Internal	with throttle	with detent, without detent	14	5814671450
-0.95	10	24 V		-10% / +10%	2	External		with detent, without detent	14	5814672650
-0.95	10		230 V			External		with detent, without detent	14	5814672450
-0.95	10	24 V		-10% / +10%	2	External	with throttle	with detent, without detent	14	5814673650
-0.95	10		230 V			External	with throttle	with detent, without detent	14	5814673450

Dimensions



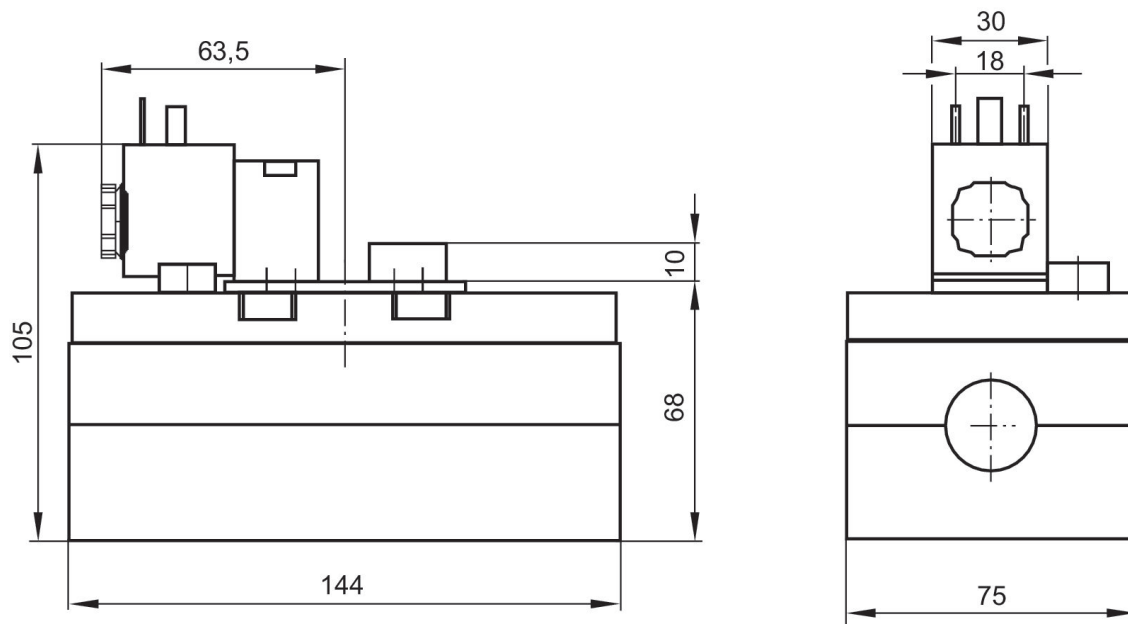
**5/2-directional valve, Series 581, size 4**

6000 l/min  
Single Solenoid  
ISO 5599-1  
Plug  
EN 175301-803, form A  
Base plate connection  
Internal thread  
Electrically  
Base plate ISO 5599-1  
Base plate ISO 5599-1



Min. working pressure [bar]	Max. working pressure [bar]	Operational voltage	Operational voltage	Voltage tolerance DC	Power consumption DC [W]	Pilot	Throttle	Manual override	Compatibility index	Part No.
3	10	24 V		-10% / +10%	2	Internal		with detent, without detent	14	5814170650
3	10		230 V			Internal		with detent, without detent	14	5814170450
3	10	24 V		-10% / +10%	2	Internal	with throttle	with detent, without detent	14	5814171650
3	10		230 V			Internal	with throttle	with detent, without detent	14	5814171450
-0.95	10	24 V		-10% / +10%	2	External		with detent, without detent	14	5814172650
-0.95	10		230 V			External		with detent, without detent	14	5814172450
-0.95	10	24 V		-10% / +10%	2	External	with throttle	with detent, without detent	14	5814173650
-0.95	10		230 V			External	with throttle	with detent, without detent	14	5814173450

Dimensions



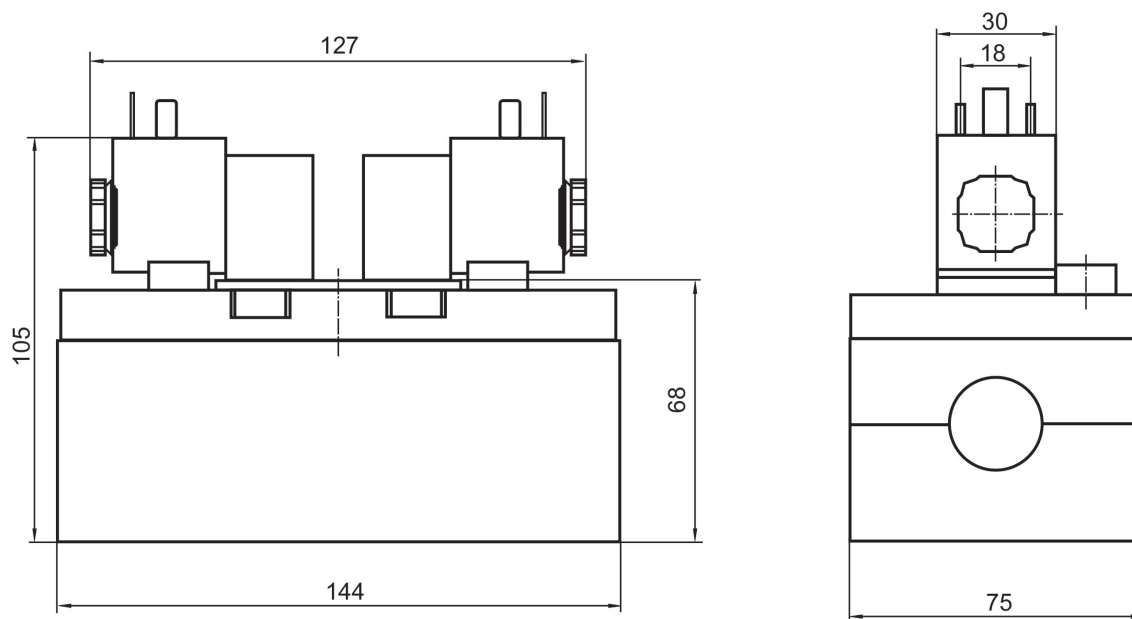
**5/2-directional valve, Series 581, size 4**

6000 l/min  
Double Solenoid  
ISO 5599-1  
Plug  
EN 175301-803, form A  
Base plate connection  
Internal thread  
Electrically  
Base plate ISO 5599-1  
Base plate ISO 5599-1



Min. working pressure [bar]	Max. working pressure [bar]	Operational voltage	Operational voltage	Voltage tolerance DC	Power consumption DC [W]	Pilot	Throttle	Manual override	Part No.
1.5	16	24 V	42 V	-10% / +10%	6.7	Internal		without detent	5814290540
1.5	16		230 V			Internal		without detent	5814290440
1.5	16	24 V	42 V	-10% / +10%	6.7	Internal	with throttle	without detent	5814291540
1.5	16		230 V			Internal	with throttle	without detent	5814291440
-0.95	16	24 V	42 V	-10% / +10%	6.7	External		without detent	5814292540
-0.95	16		230 V			External		without detent	5814292440
-0.95	16	24 V	42 V	-10% / +10%	6.7	External	with throttle	without detent	5814293540
-0.95	16		230 V			External	with throttle	without detent	5814293440

Dimensions





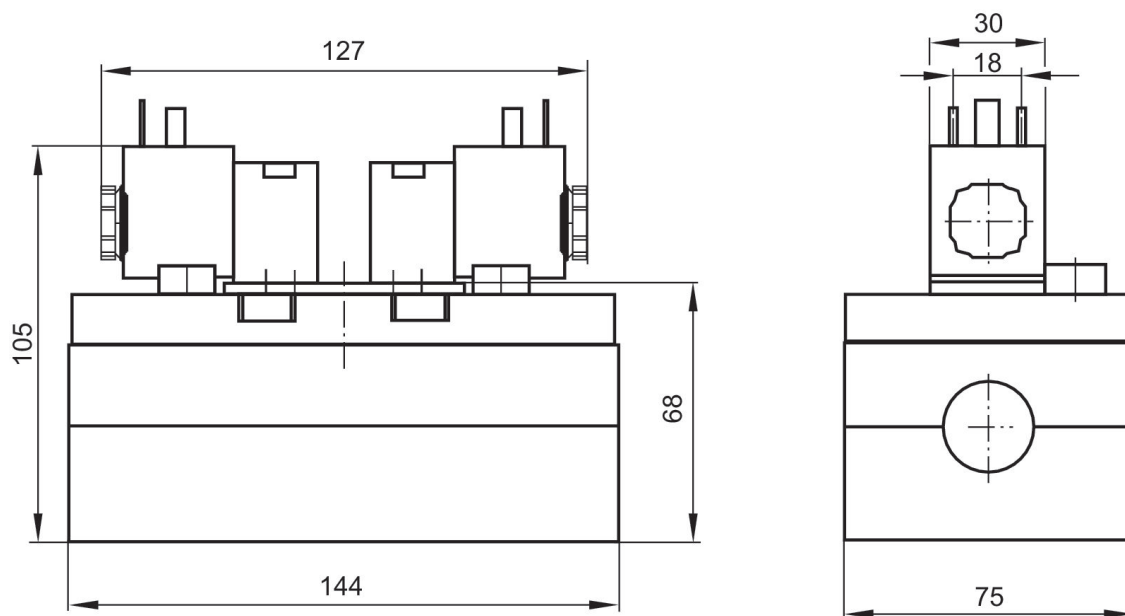
**5/2-directional valve, Series 581, size 4**

6000 l/min  
Double Solenoid  
ISO 5599-1  
Plug  
EN 175301-803, form A  
Base plate connection  
Internal thread  
Electrically  
Base plate ISO 5599-1  
Base plate ISO 5599-1



Min. working pressure [bar]	Max. working pressure [bar]	Operational voltage	Operational voltage	Voltage tolerance DC	Power consumption DC [W]	Pilot	Throttle	Manual override	Part No.
1.5	16	24 V		-10% / +10%	6.7	Internal		without	5814290530
1.5	16		230 V			Internal		without	5814290430
1.5	16	24 V		-10% / +10%	6.7	Internal	with throttle	without	5814291530
1.5	16		230 V			Internal	with throttle	without	5814291430
-0.95	16	24 V		-10% / +10%	6.7	External		without	5814292530
-0.95	16		230 V			External		without	5814292430
-0.95	16	24 V		-10% / +10%	6.7	External	with throttle	without	5814293530
-0.95	16		230 V			External	with throttle	without	5814293430

Dimensions



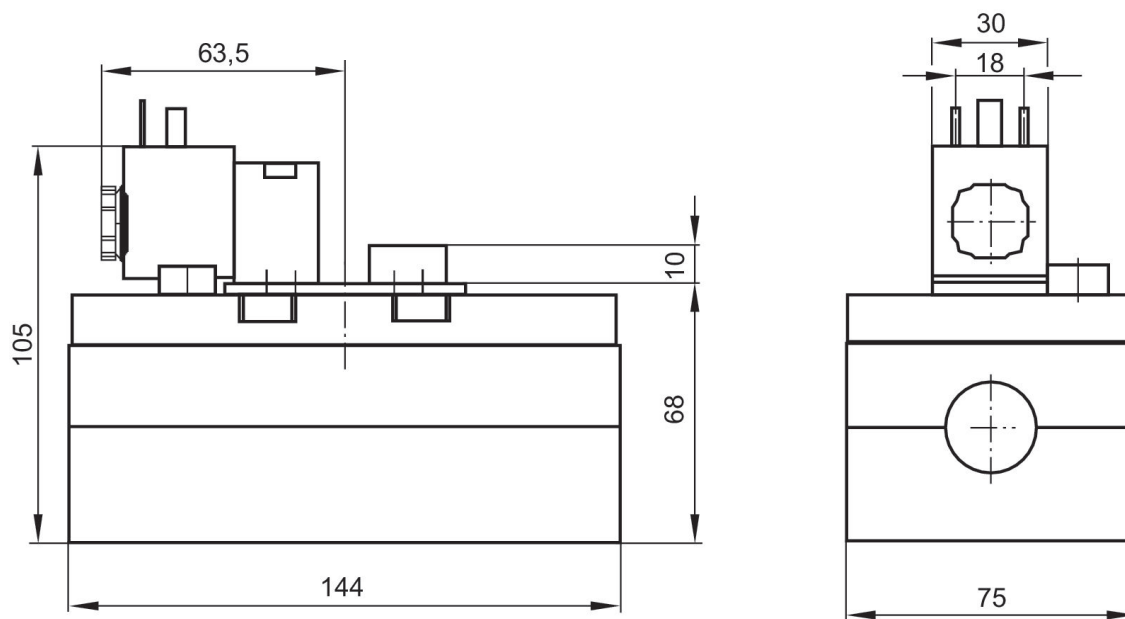
**5/2-directional valve, Series 581, size 4**

6000 l/min  
ISO 5599-1  
Plug  
EN 175301-803, form A  
Base plate connection  
Internal thread  
Electrically  
Base plate ISO 5599-1  
Base plate ISO 5599-1



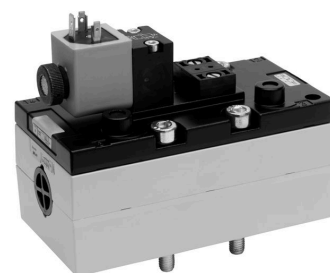
Min. working pressure [bar]	Max. working pressure [bar]	Operational voltage	Operational voltage	Voltage tolerance DC	Power consumption DC [W]	Pilot	Throttle	Manual override	Part No.
1.5	16	24 V	42 V	-10% / +10%	6.7	Internal		without detent	5814670540
1.5	16		230 V			Internal		without detent	5814670440
1.5	16	24 V	42 V	-10% / +10%	6.7	Internal	with throttle	without detent	5814671540
1.5	16		230 V			Internal	with throttle	without detent	5814671440
-0.95	16	24 V	42 V	-10% / +10%	6.7	External		without detent	5814672540
-0.95	16		230 V			External		without detent	5814672440
-0.95	16	24 V	42 V	-10% / +10%	6.7	External	with throttle	without detent	5814673540
-0.95	16		230 V			External	with throttle	without detent	5814673440

Dimensions



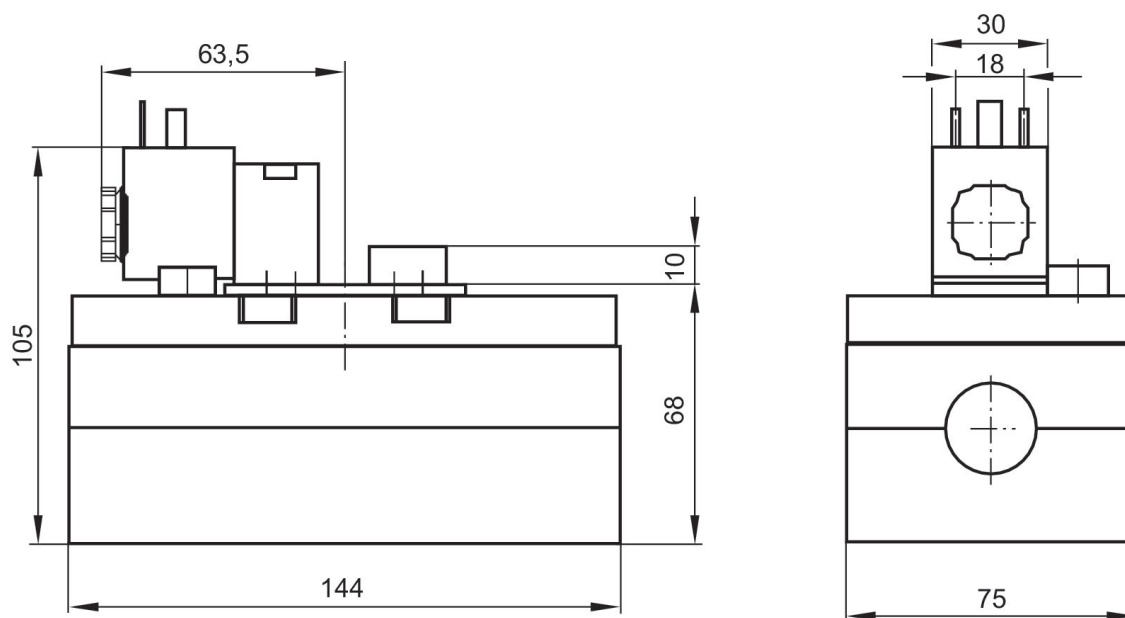
**5/2-directional valve, Series 581, size 4**

6000 l/min  
ISO 5599-1  
Plug  
EN 175301-803, form A  
Base plate connection  
Internal thread  
Electrically  
Base plate ISO 5599-1  
Base plate ISO 5599-1



Min. working pressure [bar]	Max. working pressure [bar]	Operational voltage	Operational voltage	Voltage tolerance DC	Power consumption DC [W]	Pilot	Throttle	Manual override	Part No.
1.5	16	24 V		-10% / +10%	6.7	Internal		without	5814670530
1.5	16		230 V			Internal		without	5814670430
1.5	16	24 V		-10% / +10%	6.7	Internal	with throttle	without	5814671530
1.5	16		230 V			Internal	with throttle	without	5814671430
-0.95	16	24 V		-10% / +10%	6.7	External		without	5814672530
-0.95	16		230 V			External		without	5814672430
-0.95	16	24 V		-10% / +10%	6.7	External	with throttle	without	5814673530
-0.95	16		230 V			External	with throttle	without	5814673430

Dimensions



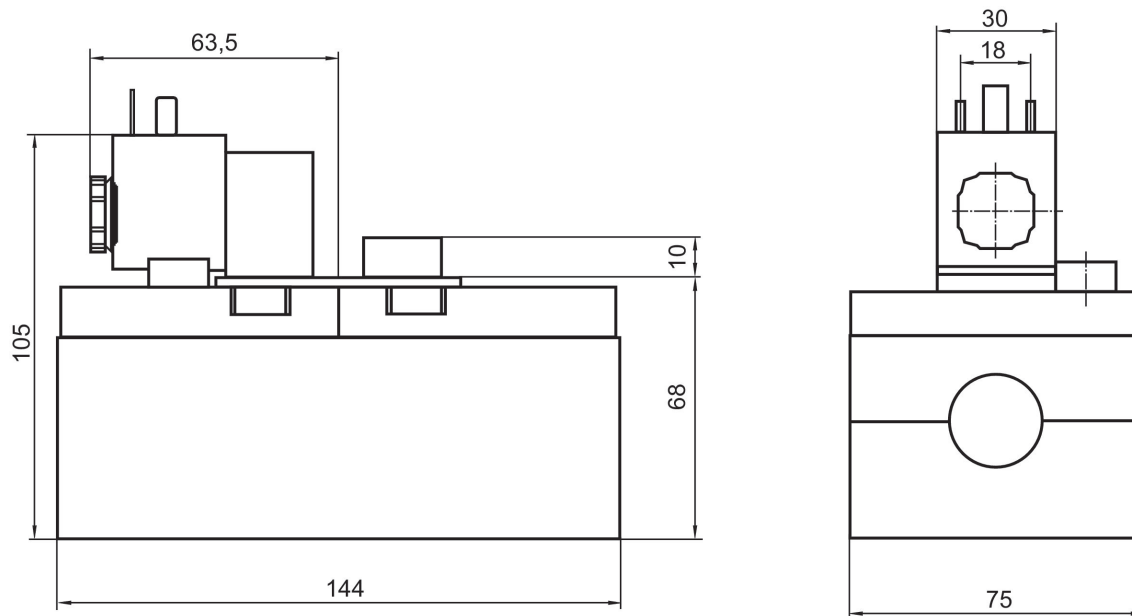
**5/2-directional valve, Series 581, size 4**

6000 l/min  
Single Solenoid  
ISO 5599-1  
Plug  
EN 175301-803, form A  
Base plate connection  
Internal thread  
Electrically  
Base plate ISO 5599-1  
Base plate ISO 5599-1



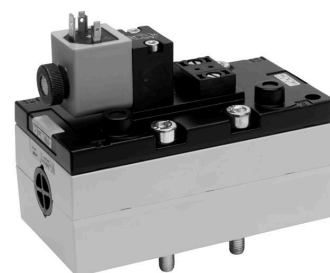
Min. working pressure [bar]	Max. working pressure [bar]	Operational voltage	Operational voltage	Voltage tolerance DC	Power consumption DC [W]	Pilot	Throttle	Manual override	Part No.
3	16	24 V	42 V	-10% / +10%	6.7	Internal		without detent	5814170540
3	16		230 V			Internal		without detent	5814170440
3	16	24 V	42 V	-10% / +10%	6.7	Internal	with throttle	without detent	5814171540
3	16		230 V			Internal	with throttle	without detent	5814171440
-0.95	16	24 V	42 V	-10% / +10%	6.7	External		without detent	5814172540
-0.95	16		230 V			External		without detent	5814172440
-0.95	16	24 V	42 V	-10% / +10%	6.7	External	with throttle	without detent	5814173540
-0.95	16		230 V			External	with throttle	without detent	5814173440

Dimensions



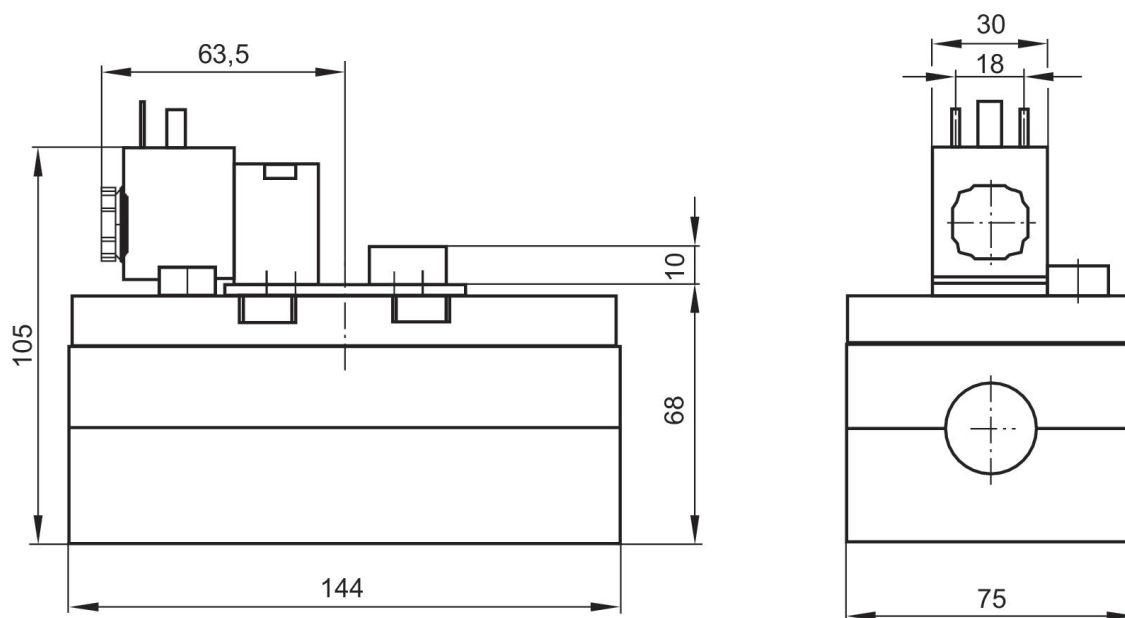
**5/2-directional valve, Series 581, size 4**

6000 l/min  
Single Solenoid  
ISO 5599-1  
Plug  
EN 175301-803, form A  
Base plate connection  
Internal thread  
Electrically  
Base plate ISO 5599-1  
Base plate ISO 5599-1



Min. working pressure [bar]	Max. working pressure [bar]	Operational voltage	Operational voltage	Voltage tolerance DC	Power consumption DC [W]	Pilot	Throttle	Manual override	Part No.
3	16	24 V		-10% / +10%	6.7	Internal		without	5814170530
3	16		230 V			Internal		without	5814170430
3	16	24 V		-10% / +10%	6.7	Internal	with throttle	without	5814171530
3	16		230 V			Internal	with throttle	without	5814171430
-0.95	16	24 V		-10% / +10%	6.7	External		without	5814172530
-0.95	16		230 V			External		without	5814172430
-0.95	16	24 V		-10% / +10%	6.7	External	with throttle	without	5814173530
-0.95	16		230 V			External	with throttle	without	5814173430

Dimensions



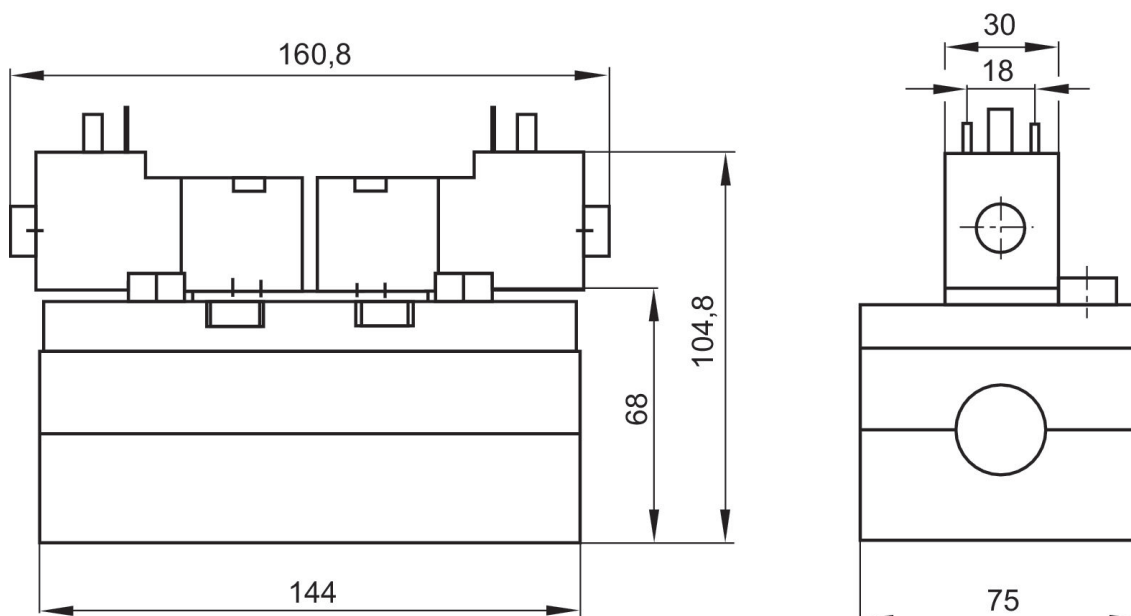
**5/2-directional valve, Series 581, size 4**

6000 l/min  
Double Solenoid  
ISO 5599-1  
Plug  
EN 175301-803, form A  
Base plate connection  
Internal thread  
Electrically  
Base plate ISO 5599-1  
Base plate ISO 5599-1



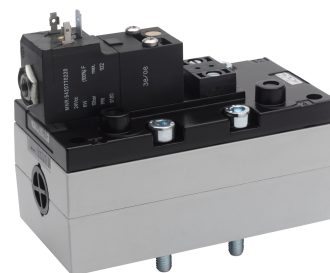
Min. working pressure [bar]	Max. working pressure [bar]	Operational voltage	Voltage tolerance DC	Power consumption DC [W]	Pilot	Throttle	Manual override	Part No.
1.5	10	24 V	-10% / +10%	6	Internal		without detent	5814290190
1.5	10	24 V	-10% / +10%	6	Internal	with throttle	without detent	5814291190
-0.95	10	24 V	-10% / +10%	6	External		without detent	5814292190
-0.95	10	24 V	-10% / +10%	6	External	with throttle	without detent	5814293190

Dimensions



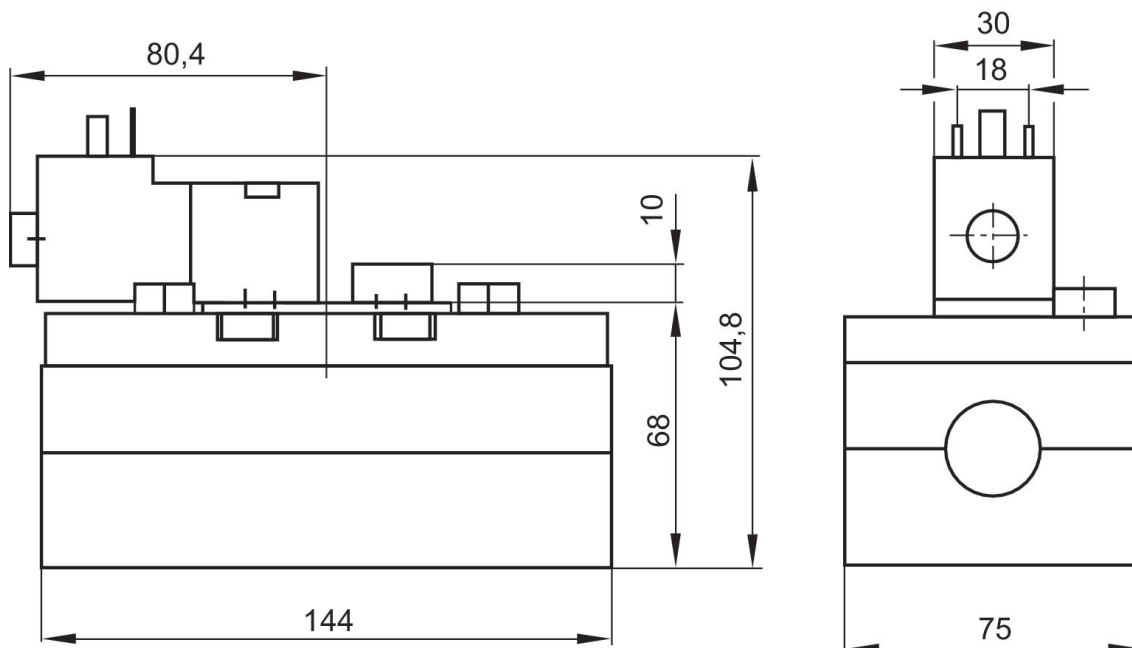
**5/2-directional valve, Series 581, size 4**

6000 l/min  
ISO 5599-1  
Plug  
EN 175301-803, form A  
Base plate connection  
Internal thread  
Electrically  
Base plate ISO 5599-1  
Base plate ISO 5599-1



Min. working pressure [bar]	Max. working pressure [bar]	Operational voltage	Voltage tolerance DC	Power consumption DC [W]	Pilot	Throttle	Manual override	Part No.
1.5	10	24 V	-10% / +10%	6	Internal		without detent	5814670190
1.5	10	24 V	-10% / +10%	6	Internal	with throttle	without detent	5814671190
-0.95	10	24 V	-10% / +10%	6	External		without detent	5814672190
-0.95	10	24 V	-10% / +10%	6	External	with throttle	without detent	5814673190

Dimensions



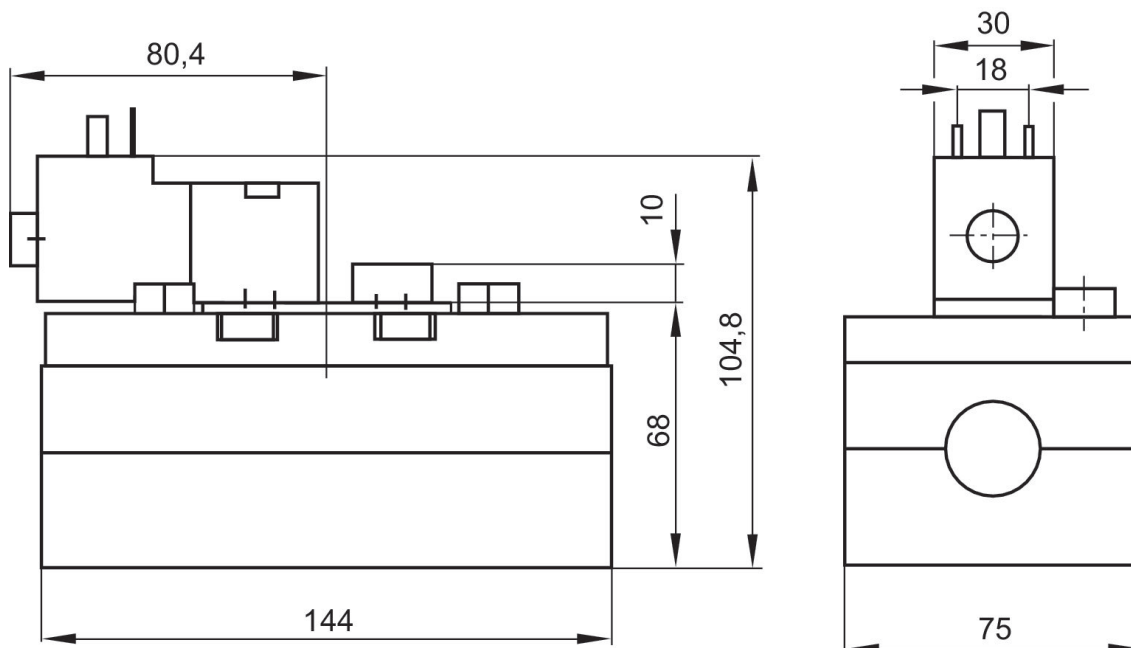
**5/2-directional valve, Series 581, size 4**

6000 l/min  
Single Solenoid  
ISO 5599-1  
Plug  
EN 175301-803, form A  
Base plate connection  
Internal thread  
Electrically  
Base plate ISO 5599-1  
Base plate ISO 5599-1



Min. working pressure [bar]	Max. working pressure [bar]	Operational voltage	Voltage tolerance DC	Power consumption DC [W]	Pilot	Throttle	Manual override	Part No.
3	10	24 V	-10% / +10%	6	Internal		without detent	5814170190
3	10	24 V	-10% / +10%	6	Internal	with throttle	without detent	5814171190
-0.95	10	24 V	-10% / +10%	6	External		without detent	5814172190
-0.95	10	24 V	-10% / +10%	6	External	with throttle	without detent	5814173190

Dimensions





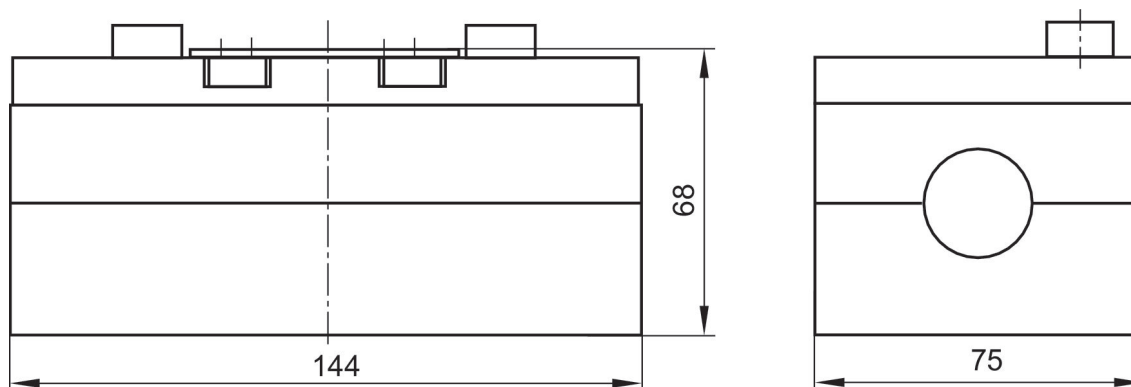
**5/2-directional valve, Series 581, size 4**

6000 l/min  
Double Solenoid  
ISO 5599-1  
Base plate connection  
Electrically  
Basic valve without pilot valve



Min. working pressure [bar]	Max. working pressure [bar]	Pilot	Throttle	Part No.
-0.95	16	External, Internal		5814280000
-0.95	16	External, Internal	with throttle	5814281000

Dimensions



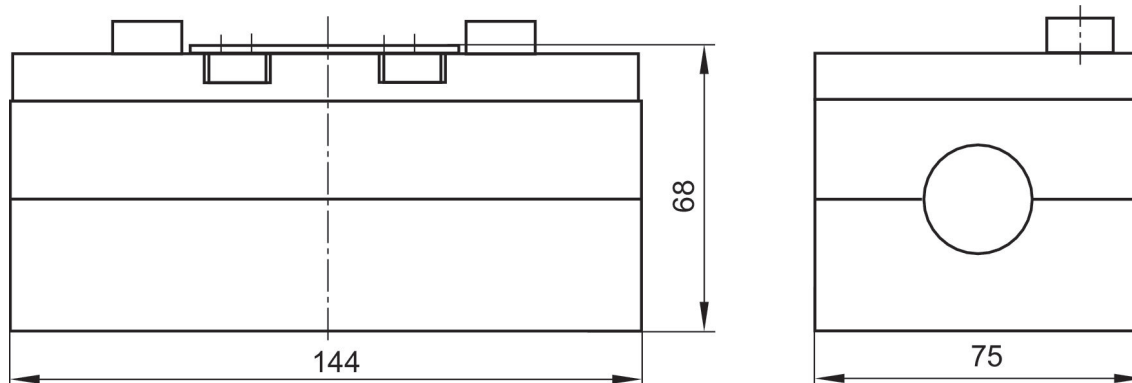
**5/2-directional valve, Series 581, size 4**

6000 l/min  
ISO 5599-1  
Base plate connection  
Electrically  
Basic valve without pilot valve



Min. working pressure [bar]	Max. working pressure [bar]	Pilot	Throttle	Part No.
-0.95	16	External, Internal		5814680000
-0.95	16	External, Internal	with throttle	5814681000

Dimensions



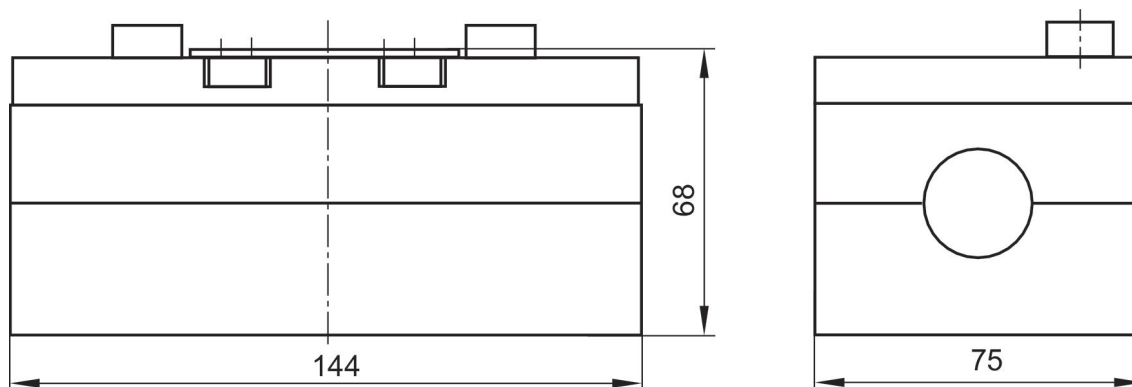
**5/2-directional valve, Series 581, size 4**

6000 l/min  
Single Solenoid  
ISO 5599-1  
Base plate connection  
Electrically  
Basic valve without pilot valve  
Base plate ISO 5599-1  
Base plate ISO 5599-1



Min. working pressure [bar]	Max. working pressure [bar]	Pilot	Throttle	Part No.
-0.95	16	External, Internal		5814180000
-0.95	16	External, Internal	with throttle	5814181000

Dimensions



**5/3-directional valve, Series 581, size 4**

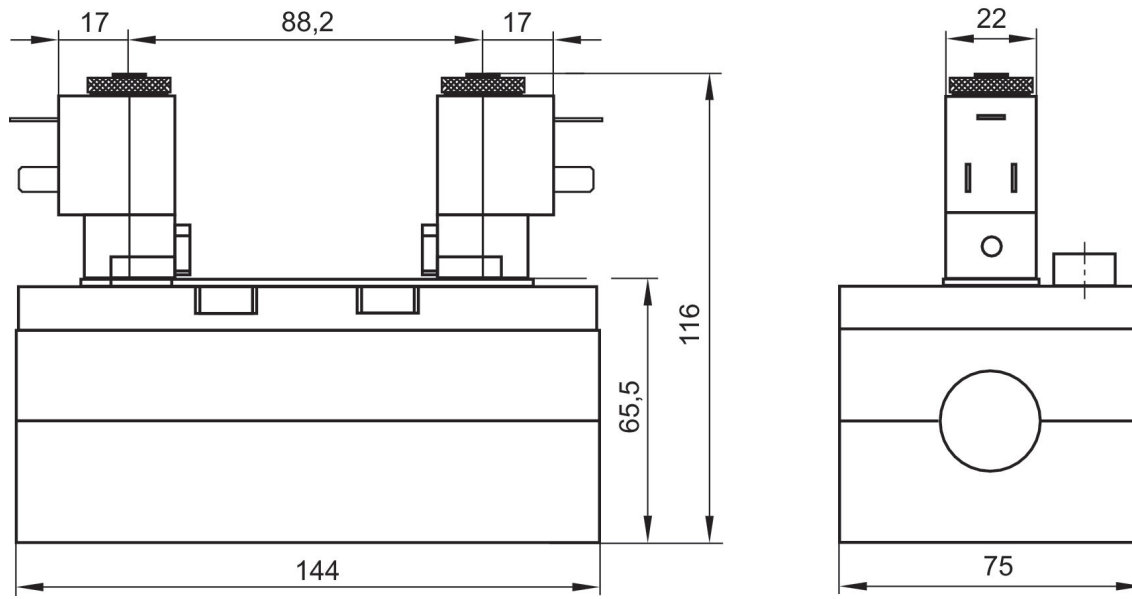
5000 l/min  
ISO 5599-1  
Plug  
Form B, industry  
Base plate connection  
Internal thread  
Electrically  
Base plate ISO 5599-1  
Base plate ISO 5599-1



	Min. working pressure [bar]	Max. working pressure [bar]	Operational voltage	Operational voltage	Operational voltage	Voltage tolerance DC	Power consumption DC [W]	Pilot	Throttle	Manual override	Part No.
Pressurized Center	3	10	12 V			-10% / +10%	5	Internal		with detent	5814720500
Pressurized Center	3	10		24 V				Internal		with detent	5814720200
Pressurized Center	3	10	24 V			-10% / +10%	5	Internal		with detent	5814720100
Pressurized Center	3	10	48 V			-10% / +10%	5	Internal		with detent	5814720600
Pressurized Center	3	10			110 V			Internal		with detent	5814720300
Pressurized Center	3	10		230 V				Internal		with detent	5814720400
Pressurized Center	3	10						Internal		with detent	5814720000
Pressurized Center	3	10	12 V			-10% / +10%	5	Internal	with throttle	with detent	5814721500
Pressurized Center	3	10		24 V				Internal	with throttle	with detent	5814721200
Pressurized Center	3	10	24 V			-10% / +10%	5	Internal	with throttle	with detent	5814721100
Pressurized Center	3	10	48 V			-10% / +10%	5	Internal	with throttle	with detent	5814721600
Pressurized Center	3	10			110 V			Internal	with throttle	with detent	5814721300
Pressurized Center	3	10		230 V				Internal	with throttle	with detent	5814721400

	Min. working pressure [bar]	Max. working pressure [bar]	Operational voltage	Operational voltage	Operational voltage	Voltage tolerance DC	Power consumption DC [W]	Pilot	Throttle	Manual override	Part No.
Pressurized Center	3	10						Internal	with throttle	with detent	5814721000
Pressurized Center	-0.95	10	12 V			-10% / +10%	5	External		with detent	5814722500
Pressurized Center	-0.95	10		24 V				External		with detent	5814722200
Pressurized Center	-0.95	10	24 V			-10% / +10%	5	External		with detent	5814722100
Pressurized Center	-0.95	10	48 V			-10% / +10%	5	External		with detent	5814722600
Pressurized Center	-0.95	10			110 V			External		with detent	5814722300
Pressurized Center	-0.95	10		230 V				External		with detent	5814722400
Pressurized Center	-0.95	10						External		with detent	5814722000
Pressurized Center	-0.95	10	12 V			-10% / +10%	5	External	with throttle	with detent	5814723500
Pressurized Center	-0.95	10		24 V				External	with throttle	with detent	5814723200
Pressurized Center	-0.95	10	24 V			-10% / +10%	5	External	with throttle	with detent	5814723100
Pressurized Center	-0.95	10	48 V			-10% / +10%	5	External	with throttle	with detent	5814723600
Pressurized Center	-0.95	10			110 V			External	with throttle	with detent	5814723300
Pressurized Center	-0.95	10		230 V				External	with throttle	with detent	5814723400
Pressurized Center	-0.95	10						External	with throttle	with detent	5814723000

Dimensions



The pilot valves can be loosened and turned through 180°.

**5/3-directional valve, Series 581, size 4**

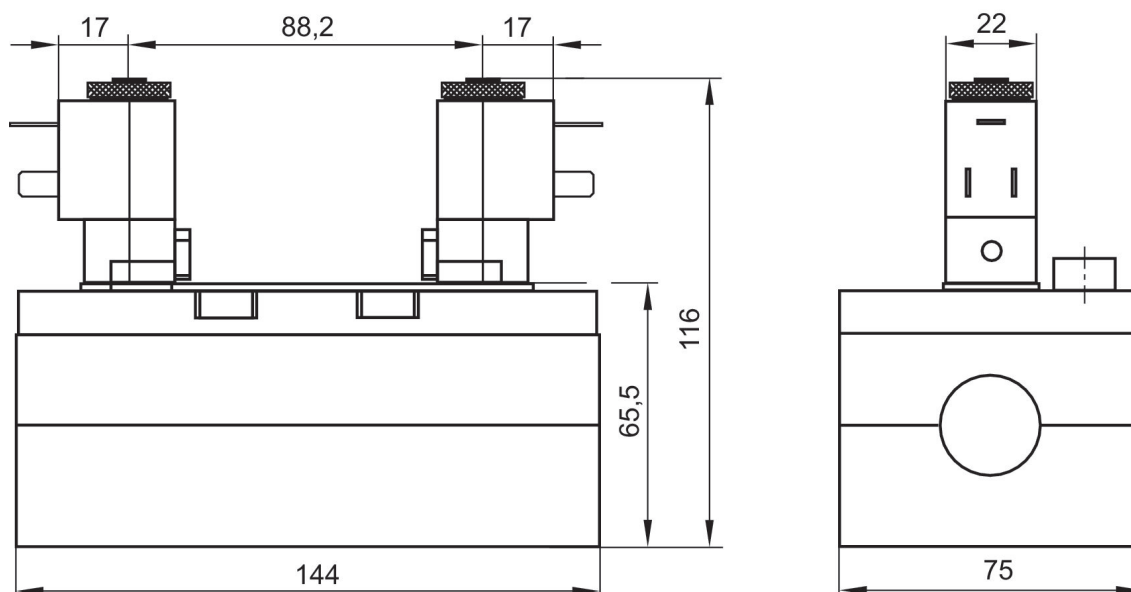
5000 l/min  
ISO 5599-1  
Plug  
Form B, industry  
Base plate connection  
Internal thread  
Electrically  
Base plate ISO 5599-1  
Base plate ISO 5599-1



	Min. working pressure [bar]	Max. working pressure [bar]	Operational voltage	Operational voltage	Operational voltage	Voltage tolerance DC	Power consumption DC [W]	Pilot	Throttle	Manual override	Part No.
Exhausted Center	3	10	12 V			-10% / +10%	5	Internal		with detent	5814520500
Exhausted Center	3	10		24 V				Internal		with detent	5814520200
Exhausted Center	3	10	24 V			-10% / +10%	5	Internal		with detent	5814520100
Exhausted Center	3	10	48 V			-10% / +10%	5	Internal		with detent	5814520600
Exhausted Center	3	10			110 V			Internal		with detent	5814520300
Exhausted Center	3	10		230 V				Internal		with detent	5814520400
Exhausted Center	3	10						Internal		with detent	5814520000
Exhausted Center	3	10	12 V			-10% / +10%	5	Internal	with throttle	with detent	5814521500
Exhausted Center	3	10		24 V				Internal	with throttle	with detent	5814521200
Exhausted Center	3	10	24 V			-10% / +10%	5	Internal	with throttle	with detent	5814521100
Exhausted Center	3	10	48 V			-10% / +10%	5	Internal	with throttle	with detent	5814521600
Exhausted Center	3	10			110 V			Internal	with throttle	with detent	5814521300
Exhausted Center	3	10		230 V				Internal	with throttle	with detent	5814521400
Exhausted Center	3	10						Internal	with throttle	with detent	5814521000
Exhausted Center	-0.95	10	12 V			-10% / +10%	5	External		with detent	5814522500
Exhausted Center	-0.95	10		24 V				External		with detent	5814522200
Exhausted Center	-0.95	10	24 V			-10% / +10%	5	External		with detent	5814522100
Exhausted Center	-0.95	10	48 V			-10% / +10%	5	External		with detent	5814522600

	Min. working pressure [bar]	Max. working pressure [bar]	Operational voltage	Operational voltage	Operational voltage	Voltage tolerance DC	Power consumption DC [W]	Pilot	Throttle	Manual override	Part No.
Exhausted Center	-0.95	10			110 V			External		with detent	5814522300
Exhausted Center	-0.95	10		230 V				External		with detent	5814522400
Exhausted Center	-0.95	10						External		with detent	5814522000
Exhausted Center	-0.95	10	12 V			-10% / +10%	5	External	with throttle	with detent	5814523500
Exhausted Center	-0.95	10		24 V				External	with throttle	with detent	5814523200
Exhausted Center	-0.95	10	24 V			-10% / +10%	5	External	with throttle	with detent	5814523100
Exhausted Center	-0.95	10	48 V			-10% / +10%	5	External	with throttle	with detent	5814523600
Exhausted Center	-0.95	10			110 V			External	with throttle	with detent	5814523300
Exhausted Center	-0.95	10		230 V				External	with throttle	with detent	5814523400
Exhausted Center	-0.95	10						External	with throttle	with detent	5814523000

Dimensions



The pilot valves can be loosened and turned through 180°.



**5/3-directional valve, Series 581, size 4**

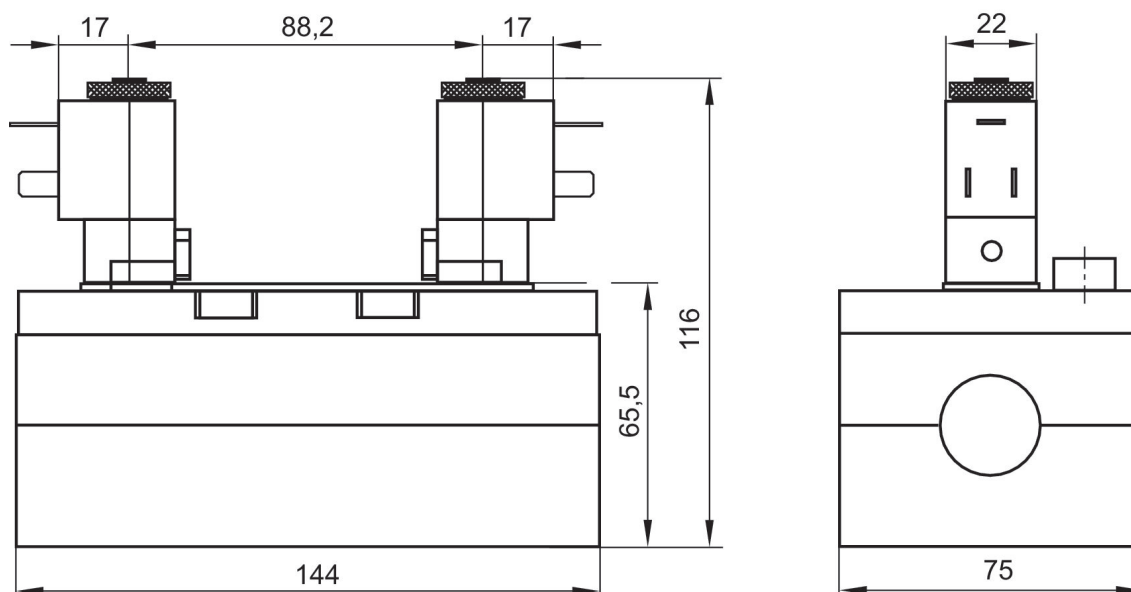
5000 l/min  
ISO 5599-1  
Plug  
Form B, industry  
Base plate connection  
Internal thread  
Electrically  
Base plate ISO 5599-1  
Base plate ISO 5599-1



	Min. working pressure [bar]	Max. working pressure [bar]	Operational voltage	Operational voltage	Operational voltage	Voltage tolerance DC	Power consumption DC [W]	Pilot	Throttle	Manual override	Part No.
Closed Center	3	10	12 V			-10% / +10%	5	Internal		with detent	5814420500
Closed Center	3	10		24 V				Internal		with detent	5814420200
Closed Center	3	10	24 V			-10% / +10%	5	Internal		with detent	5814420100
Closed Center	3	10	48 V			-10% / +10%	5	Internal		with detent	5814420600
Closed Center	3	10			110 V			Internal		with detent	5814420300
Closed Center	3	10		230 V				Internal		with detent	5814420400
Closed Center	3	10						Internal		with detent	5814420000
Closed Center	3	10	12 V			-10% / +10%	5	Internal	with throttle	with detent	5814421500
Closed Center	3	10		24 V				Internal	with throttle	with detent	5814421200
Closed Center	3	10	24 V			-10% / +10%	5	Internal	with throttle	with detent	5814421100
Closed Center	3	10	48 V			-10% / +10%	5	Internal	with throttle	with detent	5814421600
Closed Center	3	10			110 V			Internal	with throttle	with detent	5814421300
Closed Center	3	10		230 V				Internal	with throttle	with detent	5814421400
Closed Center	3	10						Internal	with throttle	with detent	5814421000
Closed Center	-0.95	10	12 V			-10% / +10%	5	External		with detent	5814422500
Closed Center	-0.95	10		24 V				External		with detent	5814422200
Closed Center	-0.95	10	24 V			-10% / +10%	5	External		with detent	5814422100
Closed Center	-0.95	10	48 V			-10% / +10%	5	External		with detent	5814422600

	Min. working pressure [bar]	Max. working pressure [bar]	Operational voltage	Operational voltage	Operational voltage	Voltage tolerance DC	Power consumption DC [W]	Pilot	Throttle	Manual override	Part No.
Closed Center	-0.95	10			110 V			External		with detent	5814422300
Closed Center	-0.95	10		230 V				External		with detent	5814422400
Closed Center	-0.95	10						External		with detent	5814422000
Closed Center	-0.95	10	12 V			-10% / +10%	5	External	with throttle	with detent	5814423500
Closed Center	-0.95	10		24 V				External	with throttle	with detent	5814423200
Closed Center	-0.95	10	24 V			-10% / +10%	5	External	with throttle	with detent	5814423100
Closed Center	-0.95	10	48 V			-10% / +10%	5	External	with throttle	with detent	5814423600
Closed Center	-0.95	10			110 V			External	with throttle	with detent	5814423300
Closed Center	-0.95	10		230 V				External	with throttle	with detent	5814423400
Closed Center	-0.95	10						External	with throttle	with detent	5814423000

Dimensions



The pilot valves can be loosened and turned through 180°.

**5/3-directional valve, Series 581, size 4**

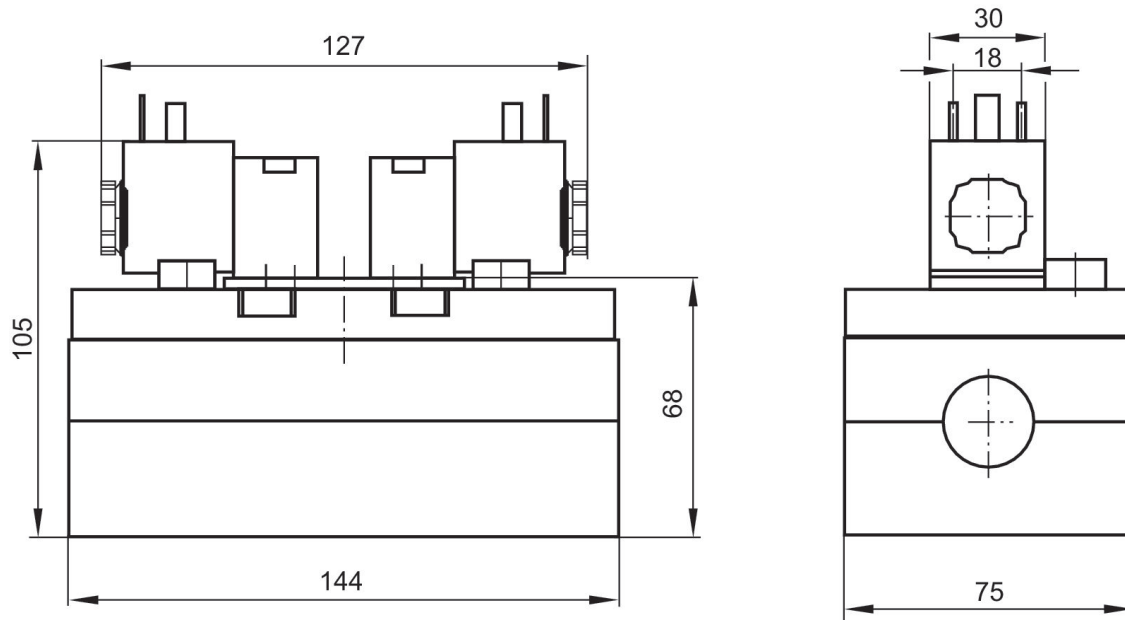
5000 l/min  
ISO 5599-1  
Plug  
EN 175301-803, form A  
Base plate connection  
Internal thread  
Electrically  
Base plate ISO 5599-1  
Base plate ISO 5599-1



	Min. working pressure [bar]	Max. working pressure [bar]	Operational voltage	Operational voltage	Voltage tolerance DC	Power consumption DC [W]	Pilot	Throttle	Manual override	Compatibility index	Part No.
Closed Center	3	10	24 V		-10% / +10%	2	Internal		with detent, without detent	14	5814490650
Closed Center	3	10		230 V			Internal		with detent, without detent	14	5814490450
Closed Center	3	10	24 V		-10% / +10%	2	Internal	with throttle	with detent, without detent	14	5814491650
Closed Center	3	10		230 V			Internal	with throttle	with detent, without detent	14	5814491450
Closed Center	-0.95	10	24 V		-10% / +10%	2	External		with detent, without detent	14	5814492650
Closed Center	-0.95	10		230 V			External		with detent, without detent	14	5814492450
Closed Center	-0.95	10	24 V		-10% / +10%	2	External	with throttle	with detent, without detent	14	5814493650
Closed Center	-0.95	10		230 V			External	with throttle	with detent, without detent	14	5814493450
Exhausted Center	3	10	24 V		-10% / +10%	2	Internal		with detent, without detent	14	5814590650
Exhausted Center	3	10		230 V			Internal		with detent, without detent	14	5814590450
Exhausted Center	3	10	24 V		-10% / +10%	2	Internal	with throttle	with detent, without detent	14	5814591650
Exhausted Center	3	10		230 V			Internal	with throttle	with detent, without detent	14	5814591450
Exhausted Center	-0.95	10	24 V		-10% / +10%	2	External		with detent, without detent	14	5814592650

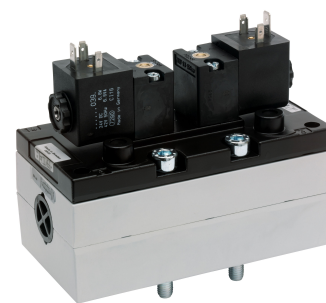
	Min. working pressure [bar]	Max. working pressure [bar]	Operational voltage	Operational voltage	Voltage tolerance DC	Power consumption DC [W]	Pilot	Throttle	Manual override	Compatibility index	Part No.
Exhausted Center	-0.95	10		230 V			External		with detent, without detent	14	5814592450
Exhausted Center	-0.95	10	24 V		-10% / +10%	2	External	with throttle	with detent, without detent	14	5814593650
Exhausted Center	-0.95	10		230 V			External	with throttle	with detent, without detent	14	5814593450
Pressurized Center	3	10	24 V		-10% / +10%	2	Internal		with detent, without detent	14	5814790650
Pressurized Center	3	10		230 V			Internal		with detent, without detent	14	5814790450
Pressurized Center	3	10	24 V		-10% / +10%	2	Internal	with throttle	with detent, without detent	14	5814791650
Pressurized Center	3	10		230 V			Internal	with throttle	with detent, without detent	14	5814791450
Pressurized Center	-0.95	10	24 V		-10% / +10%	2	External		with detent, without detent	14	5814792650
Pressurized Center	-0.95	10		230 V			External		with detent, without detent	14	5814792450
Pressurized Center	-0.95	10	24 V		-10% / +10%	2	External	with throttle	with detent, without detent	14	5814793650
Pressurized Center	-0.95	10		230 V			External	with throttle	with detent, without detent	14	5814793450

Dimensions



**5/3-directional valve, Series 581, size 4**

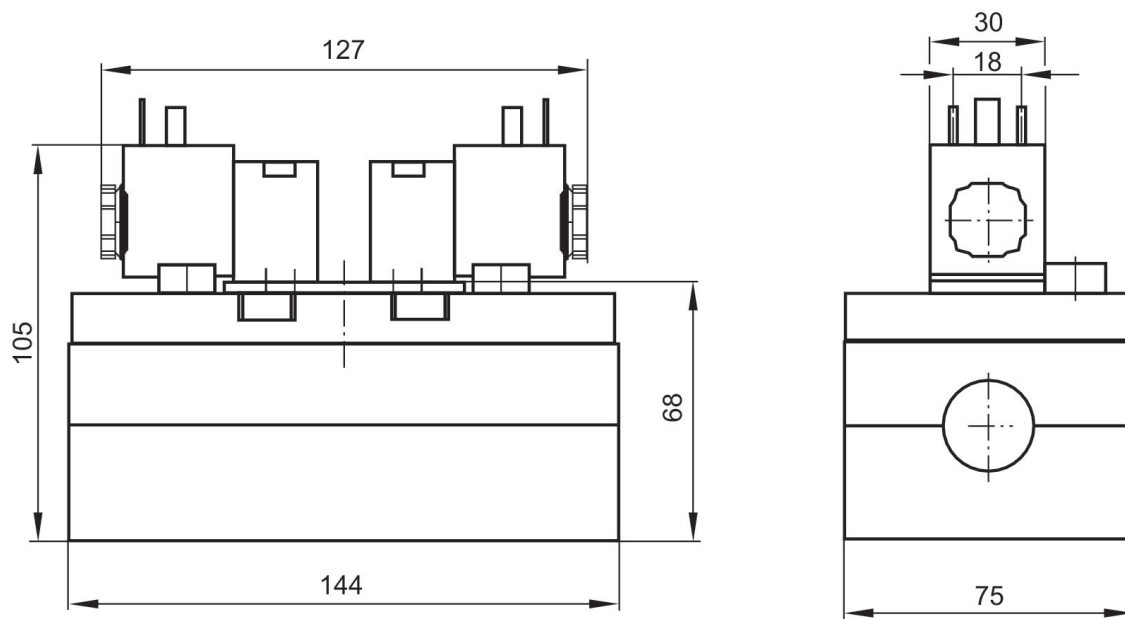
5000 l/min  
ISO 5599-1  
Plug  
EN 175301-803, form A  
Base plate connection  
Internal thread  
Electrically  
Base plate ISO 5599-1  
Base plate ISO 5599-1



	Min. working pressure [bar]	Max. working pressure [bar]	Operational voltage	Operational voltage	Voltage tolerance DC	Power consumption DC [W]	Pilot	Throttle	Manual override	Part No.
Closed Center	3	16	24 V	42 V	-10% / +10%	6.7	Internal		without detent	5814490540
Closed Center	3	16		230 V			Internal		without detent	5814490440
Closed Center	3	16	24 V	42 V	-10% / +10%	6.7	Internal	with throttle	without detent	5814491540
Closed Center	3	16		230 V			Internal	with throttle	without detent	5814491440
Closed Center	-0.95	16	24 V	42 V	-10% / +10%	6.7	External		without detent	5814492540
Closed Center	-0.95	16		230 V			External		without detent	5814492440
Closed Center	-0.95	16	24 V	42 V	-10% / +10%	6.7	External	with throttle	without detent	5814493540
Closed Center	-0.95	16		230 V			External	with throttle	without detent	5814493440
Exhausted Center	3	16	24 V	42 V	-10% / +10%	6.7	Internal		without detent	5814590540
Exhausted Center	3	16		230 V			Internal		without detent	5814590440
Exhausted Center	3	16	24 V	42 V	-10% / +10%	6.7	Internal	with throttle	without detent	5814591540
Exhausted Center	3	16		230 V			Internal	with throttle	without detent	5814591440
Exhausted Center	-0.95	16	24 V	42 V	-10% / +10%	6.7	External		without detent	5814592540
Exhausted Center	-0.95	16		230 V			External		without detent	5814592440
Exhausted Center	-0.95	16	24 V	42 V	-10% / +10%	6.7	External	with throttle	without detent	5814593540
Exhausted Center	-0.95	16		230 V			External	with throttle	without detent	5814593440
Pressurized Center	3	16	24 V	42 V	-10% / +10%	6.7	Internal		without detent	5814790540

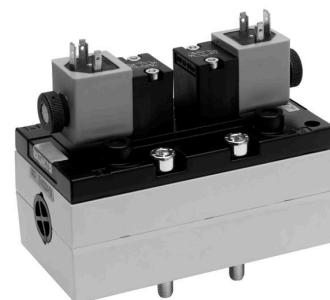
	Min. working pressure [bar]	Max. working pressure [bar]	Operational voltage	Operational voltage	Voltage tolerance DC	Power consumption DC [W]	Pilot	Throttle	Manual override	Part No.
Pressurized Center	3	16		230 V			Internal		without detent	5814790440
Pressurized Center	3	16	24 V	42 V	-10% / +10%	6.7	Internal	with throttle	without detent	5814791540
Pressurized Center	3	16		230 V			Internal	with throttle	without detent	5814791440
Pressurized Center	-0.95	16	24 V	42 V	-10% / +10%	6.7	External		without detent	5814792540
Pressurized Center	-0.95	16		230 V			External		without detent	5814792440
Pressurized Center	-0.95	16	24 V	42 V	-10% / +10%	6.7	External	with throttle	without detent	5814793540
Pressurized Center	-0.95	16		230 V			External	with throttle	without detent	5814793440

Dimensions



**5/3-directional valve, Series 581, size 4**

5000 l/min  
ISO 5599-1  
Plug  
EN 175301-803, form A  
Base plate connection  
Internal thread  
Electrically  
Base plate ISO 5599-1  
Base plate ISO 5599-1

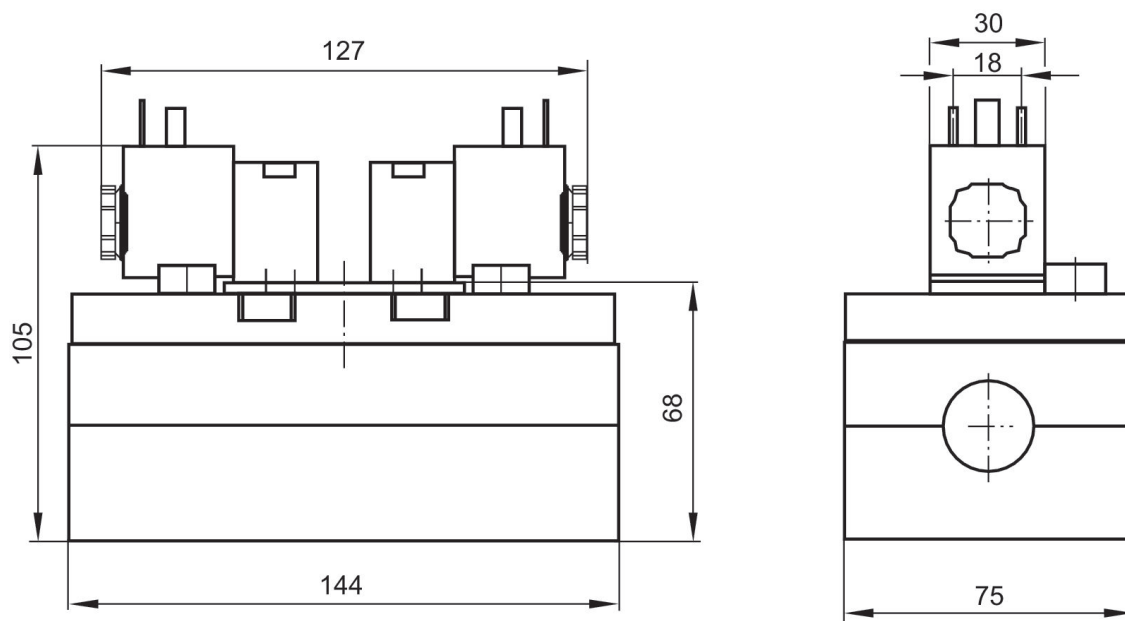


	Min. working pressure [bar]	Max. working pressure [bar]	Operational voltage	Operational voltage	Voltage tolerance DC	Power consumption DC [W]	Pilot	Throttle	Manual override	Part No.
Closed Center	3	16	24 V		-10% / +10%	6.7	Internal		without	5814490530
Closed Center	3	16		230 V			Internal		without	5814490430
Closed Center	3	16	24 V		-10% / +10%	6.7	Internal	with throttle	without	5814491530
Closed Center	3	16		230 V			Internal	with throttle	without	5814491430
Closed Center	-0.95	16	24 V		-10% / +10%	6.7	External		without	5814492530
Closed Center	-0.95	16		230 V			External		without	5814492430
Closed Center	-0.95	16	24 V		-10% / +10%	6.7	External	with throttle	without	5814493530
Closed Center	-0.95	16		230 V			External	with throttle	without	5814493430
Exhausted Center	3	16	24 V		-10% / +10%	6.7	Internal		without	5814590530
Exhausted Center	3	16		230 V			Internal		without	5814590430
Exhausted Center	3	16	24 V		-10% / +10%	6.7	Internal	with throttle	without	5814591530
Exhausted Center	3	16		230 V			Internal	with throttle	without	5814591430
Exhausted Center	-0.95	16	24 V		-10% / +10%	6.7	External		without	5814592530
Exhausted Center	-0.95	16		230 V			External		without	5814592430
Exhausted Center	-0.95	16	24 V		-10% / +10%	6.7	External	with throttle	without	5814593530
Exhausted Center	-0.95	16		230 V			External	with throttle	without	5814593430
Pressurized Center	3	16	24 V		-10% / +10%	6.7	Internal		without	5814790530
Pressurized Center	3	16		230 V			Internal		without	5814790430



	Min. working pressure [bar]	Max. working pressure [bar]	Operational voltage	Operational voltage	Voltage tolerance DC	Power consumption DC [W]	Pilot	Throttle	Manual override	Part No.
Pressurized Center	3	16	24 V		-10% / +10%	6.7	Internal	with throttle	without	5814791530
Pressurized Center	3	16		230 V			Internal	with throttle	without	5814791430
Pressurized Center	-0.95	16	24 V		-10% / +10%	6.7	External		without	5814792530
Pressurized Center	-0.95	16		230 V			External		without	5814792430
Pressurized Center	-0.95	16	24 V		-10% / +10%	6.7	External	with throttle	without	5814793530
Pressurized Center	-0.95	16		230 V			External	with throttle	without	5814793430

Dimensions



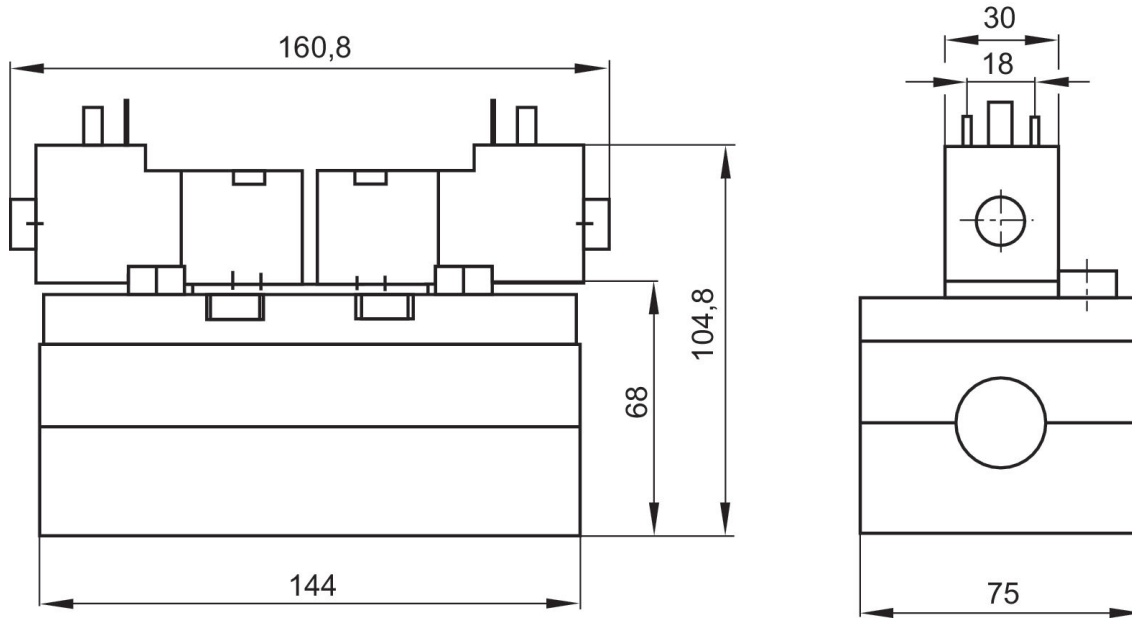
**5/3-directional valve, Series 581, size 4**

5000 l/min  
ISO 5599-1  
Plug  
EN 175301-803, form A  
Base plate connection  
Internal thread  
Electrically  
Base plate ISO 5599-1  
Base plate ISO 5599-1



	Min. working pressure [bar]	Max. working pressure [bar]	Operational voltage	Voltage tolerance DC	Power consumption DC [W]	Pilot	Throttle	Manual override	Part No.
Closed Center	3	10	24 V	-10% / +10%	6	Internal		without detent	5814490190
Closed Center	3	10	24 V	-10% / +10%	6	Internal	with throttle	without detent	5814491190
Closed Center	-0.95	10	24 V	-10% / +10%	6	External		without detent	5814492190
Closed Center	-0.95	10	24 V	-10% / +10%	6	External	with throttle	without detent	5814493190
Exhausted Center	3	10	24 V	-10% / +10%	6	Internal		without detent	5814590190
Exhausted Center	3	10	24 V	-10% / +10%	6	Internal	with throttle	without detent	5814591190
Exhausted Center	-0.95	10	24 V	-10% / +10%	6	External		without detent	5814592190
Exhausted Center	-0.95	10	24 V	-10% / +10%	6	External	with throttle	without detent	5814593190
Pressurized Center	3	10	24 V	-10% / +10%	6	Internal		without detent	5814790190
Pressurized Center	3	10	24 V	-10% / +10%	6	Internal	with throttle	without detent	5814791190
Pressurized Center	-0.95	10	24 V	-10% / +10%	6	External		without detent	5814792190
Pressurized Center	-0.95	10	24 V	-10% / +10%	6	External	with throttle	without detent	5814793190

Dimensions



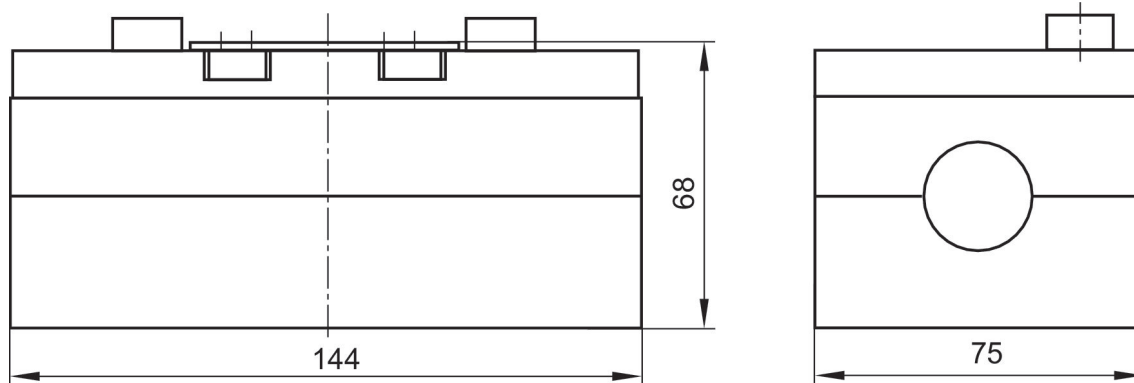
**5/3-directional valve, Series 581, size 4**

5000 l/min  
ISO 5599-1  
Base plate connection  
Electrically  
Basic valve without pilot valve



	Min. working pressure [bar]	Max. working pressure [bar]	Pilot	Part No.
Closed Center	-0.95	16	External, Internal	5814480100
Exhausted Center	-0.95	16	External, Internal	5814580100
Pressurized Center	-0.95	16	External, Internal	5814780100

Dimensions



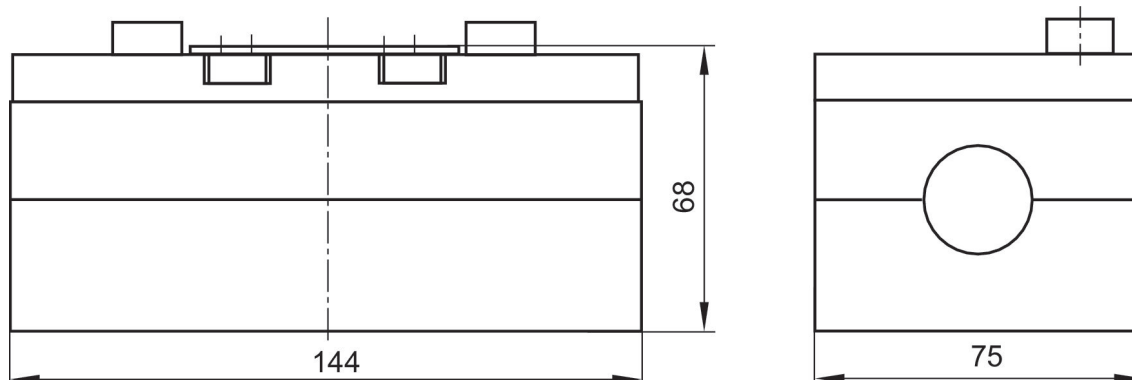
**5/3-directional valve, Series 581, size 4**

5000 l/min  
ISO 5599-1  
Base plate connection  
Electrically  
Basic valve without pilot valve



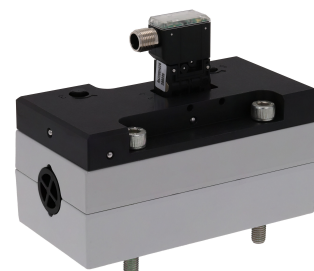
	Min. working pressure [bar]	Max. working pressure [bar]	Pilot	Throttle	Part No.
Closed Center	-0.95	16	External, Internal		5814480000
Closed Center	-0.95	16	External, Internal	with throttle	5814481000
Exhausted Center	-0.95	16	External, Internal		5814580000
Exhausted Center	-0.95	16	External, Internal	with throttle	5814581000
Pressurized Center	-0.95	16	External, Internal		5814780000
Pressurized Center	-0.95	16	External, Internal	with throttle	5814781000

Dimensions



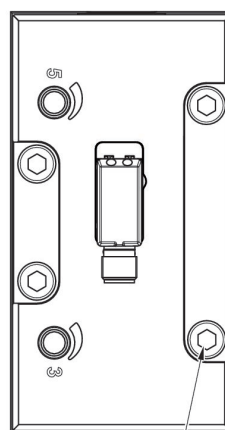
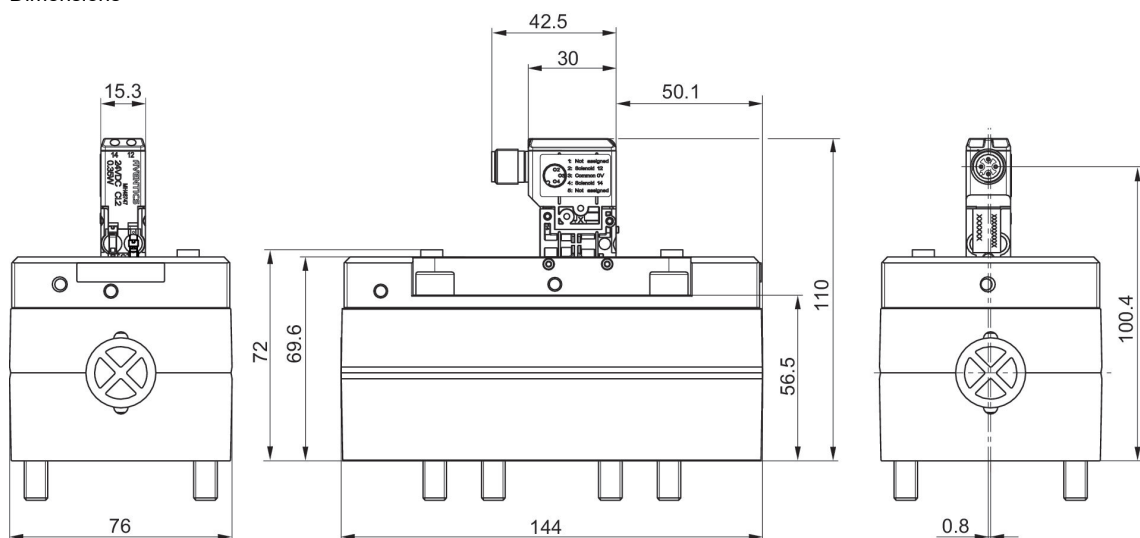
**5/3-directional valve, Series 581, size 4**

4100 l/min  
ISO 5599-1  
Plug  
M12  
Base plate connection  
Electrically  
4-pin  
Base plate ISO 5599-1  
Base plate ISO 5599-1



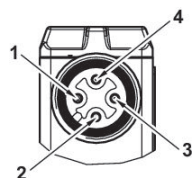
	Min. working pressure [bar]	Max. working pressure [bar]	Operational voltage	Voltage tolerance DC	Power consumption DC [W]	Pilot	Throttle	Manual override	Part No.
Closed Center	-0.95	10	24 V	-10% / +10%	0.35	External		without detent	5814422720
Closed Center	-0.95	10	24 V	-10% / +10%	0.35	External		with detent	5814422710
Closed Center	-0.95	10	24 V	-10% / +10%	0.35	Internal		without detent	5814420720
Closed Center	-0.95	10	24 V	-10% / +10%	0.35	Internal		with detent	5814420710
Closed Center	-0.95	10	24 V	-10% / +10%	0.35	External	with throttle	with detent	5814423710
Closed Center	-0.95	10	24 V	-10% / +10%	0.35	External	with throttle	without detent	5814423720
Closed Center	-0.95	10	24 V	-10% / +10%	0.35	Internal	with throttle	without detent	5814421720
Closed Center	-0.95	10	24 V	-10% / +10%	0.35	Internal	with throttle	with detent	5814421710

Dimensions



**5814422720, 5814422710, 5814420720, 5814420710, 5814423710, 5814423720, 5814421720, 5814421710**

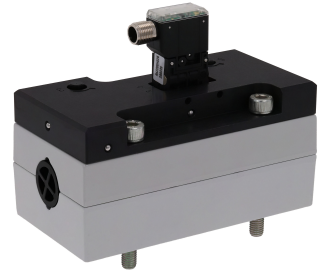
Pin assignments



- 1) not assigned
- 2) Coil 12
- 3) 0 V DC
- 4) Coil 14

**5/3-directional valve, Series 581, size 4**

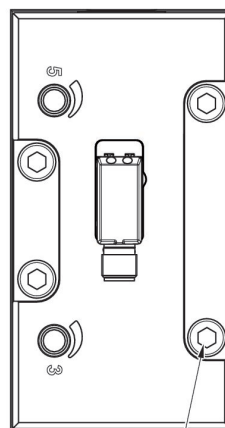
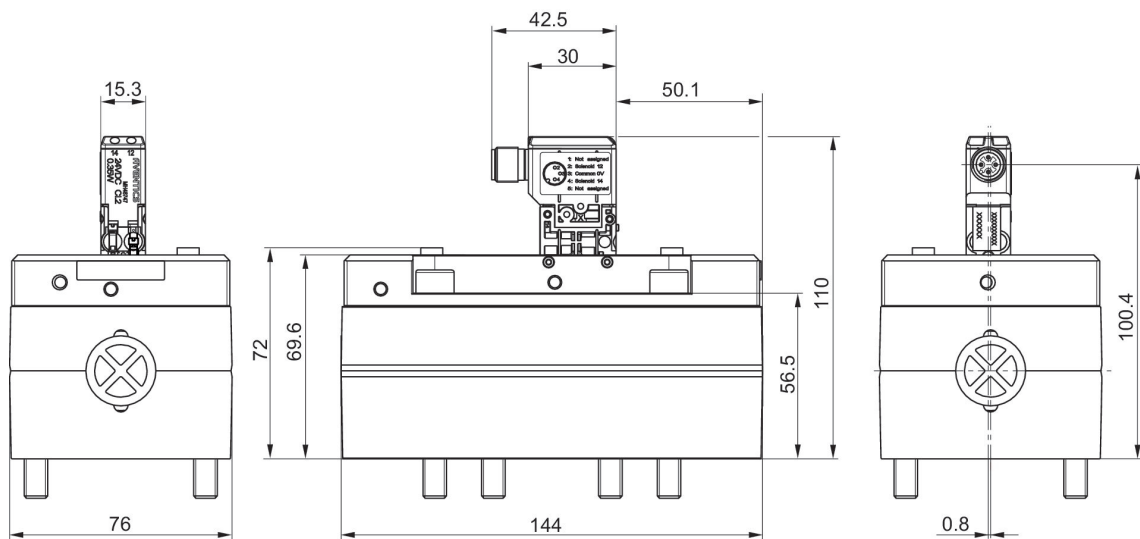
4100 l/min  
ISO 5599-1  
Plug  
M12  
Base plate connection  
Electrically  
4-pin  
Base plate ISO 5599-1  
Base plate ISO 5599-1



	Min. working pressure [bar]	Max. working pressure [bar]	Operational voltage	Voltage tolerance DC	Power consumption DC [W]	Pilot	Throttle	Manual override	Part No.
Exhausted Center	-0.95	10	24 V	-10% / +10%	0.35	External		without detent	5814522720
Exhausted Center	-0.95	10	24 V	-10% / +10%	0.35	External		with detent	5814522710
Exhausted Center	-0.95	10	24 V	-10% / +10%	0.35	Internal		without detent	5814520720
Exhausted Center	-0.95	10	24 V	-10% / +10%	0.35	Internal		with detent	5814520710
Exhausted Center	-0.95	10	24 V	-10% / +10%	0.35	External	with throttle	without detent	5814523720
Exhausted Center	-0.95	10	24 V	-10% / +10%	0.35	External	with throttle	with detent	5814523710
Exhausted Center	-0.95	10	24 V	-10% / +10%	0.35	Internal	with throttle	without detent	5814521720
Exhausted Center	-0.95	10	24 V	-10% / +10%	0.35	Internal	with throttle	with detent	5814521710



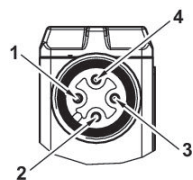
Dimensions



Ma: max. 10 Nm (4x)

**5814522720, 5814522710, 5814520720, 5814520710, 5814523720, 5814523710, 5814521720, 5814521710**

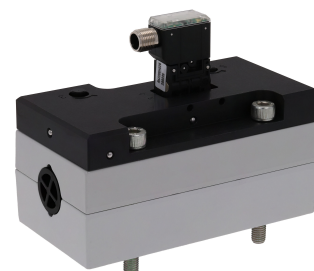
Pin assignments



- 1) not assigned
- 2) Coil 12
- 3) 0 V DC
- 4) Coil 14

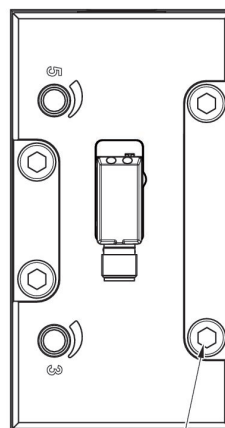
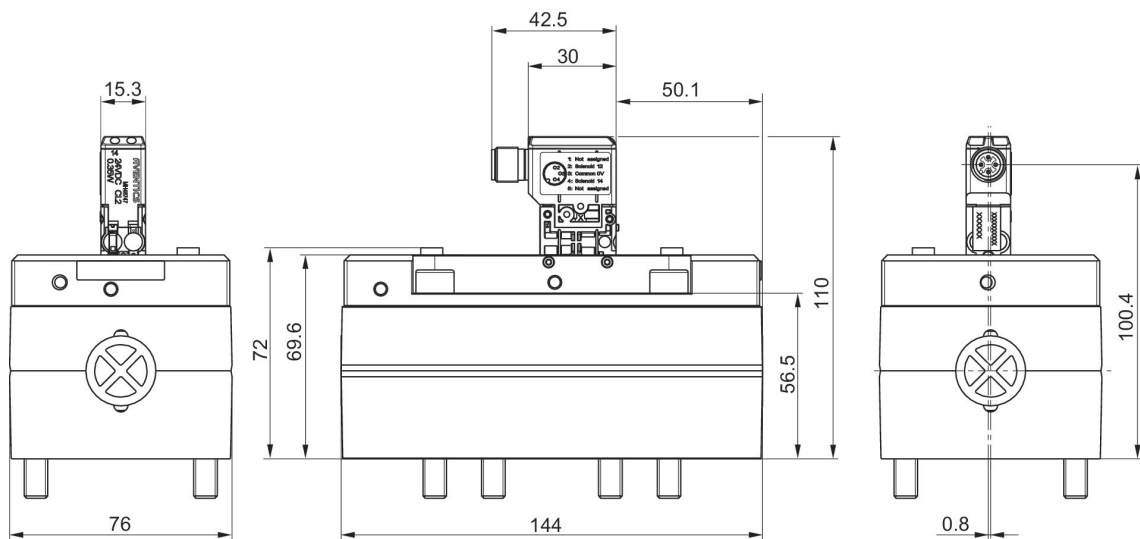
**5/3-directional valve, Series 581, size 4**

4100 l/min  
ISO 5599-1  
Plug  
M12  
Base plate connection  
Electrically  
4-pin  
Base plate ISO 5599-1  
Base plate ISO 5599-1



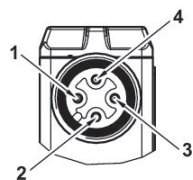
	Min. working pressure [bar]	Max. working pressure [bar]	Operational voltage	Voltage tolerance DC	Power consumption DC [W]	Pilot	Throttle	Manual override	Part No.
Pressurized Center	-0.95	10	24 V	-10% / +10%	0.35	External		without detent	5814722720
Pressurized Center	-0.95	10	24 V	-10% / +10%	0.35	External		with detent	5814722710
Pressurized Center	-0.95	10	24 V	-10% / +10%	0.35	Internal		without detent	5814720720
Pressurized Center	-0.95	10	24 V	-10% / +10%	0.35	Internal		with detent	5814720710
Pressurized Center	-0.95	10	24 V	-10% / +10%	0.35	External	with throttle	without detent	5814723720
Pressurized Center	-0.95	10	24 V	-10% / +10%	0.35	External	with throttle	with detent	5814723710
Pressurized Center	-0.95	10	24 V	-10% / +10%	0.35	Internal	with throttle	without detent	5814721720
Pressurized Center	-0.95	10	24 V	-10% / +10%	0.35	Internal	with throttle	with detent	5814721710

Dimensions



**5814722720, 5814722710, 5814720720, 5814720710, 5814723720, 5814723710, 5814721720, 5814721710**

Pin assignments



- 1) not assigned
- 2) Coil 12
- 3) 0 V DC
- 4) Coil 14

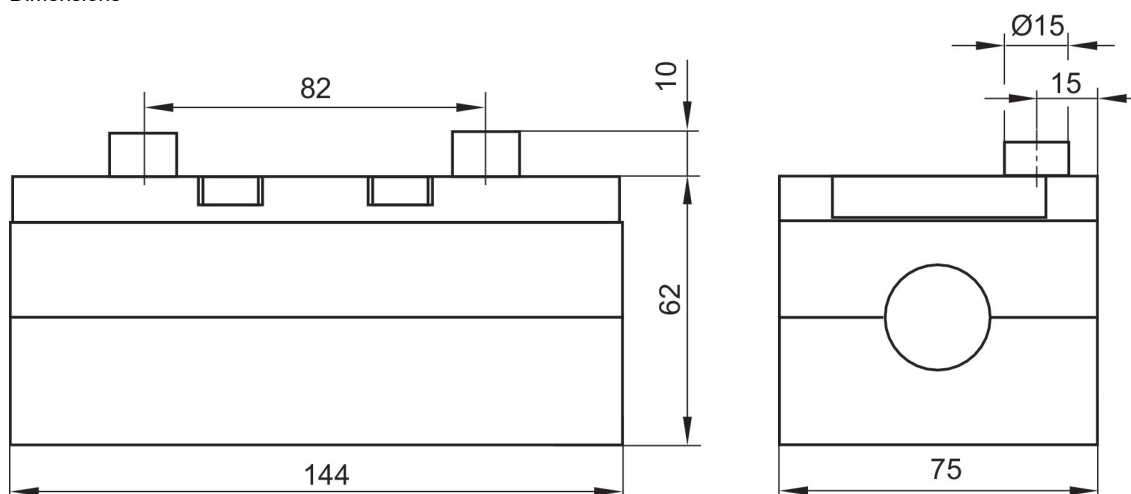
**5/2-directional valve, Series 581, size 4**

6000 l/min  
Double Air Pilot  
ISO 5599-1  
Base plate connection  
Pneumatically  
Base plate ISO 5599-1



Min. working pressure [bar]	Max. working pressure [bar]	Throttle	Part No.
-0.95	16		5814230000
-0.95	16	with throttle	5814231000

Dimensions



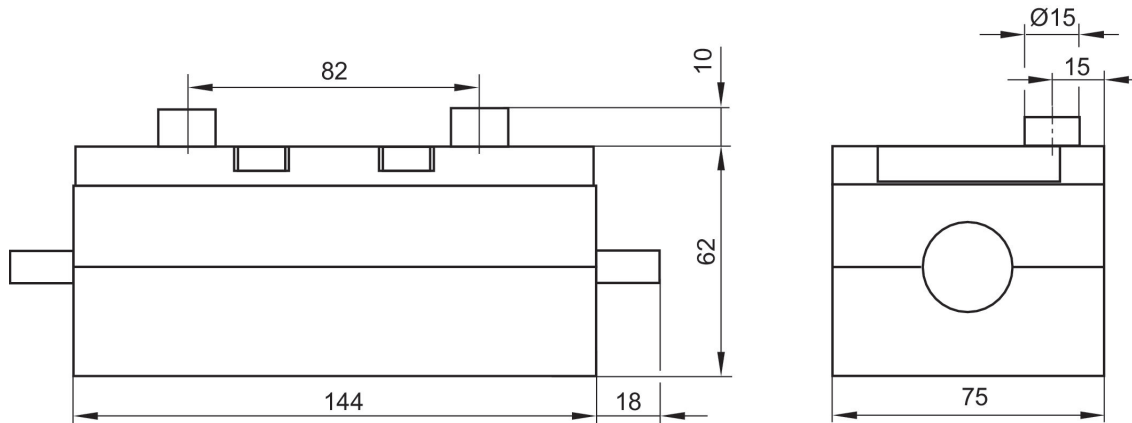
**5/2-directional valve, Series 581, size 4**

6000 l/min  
Double Air Pilot  
ISO 5599-1  
Base plate connection  
Pneumatically  
Base plate ISO 5599-1



Min. working pressure [bar]	Max. working pressure [bar]	Throttle	Manual override	Part No.
-0.95	16		with detent	5814330000
-0.95	16	with throttle	with detent	5814331000

Dimensions



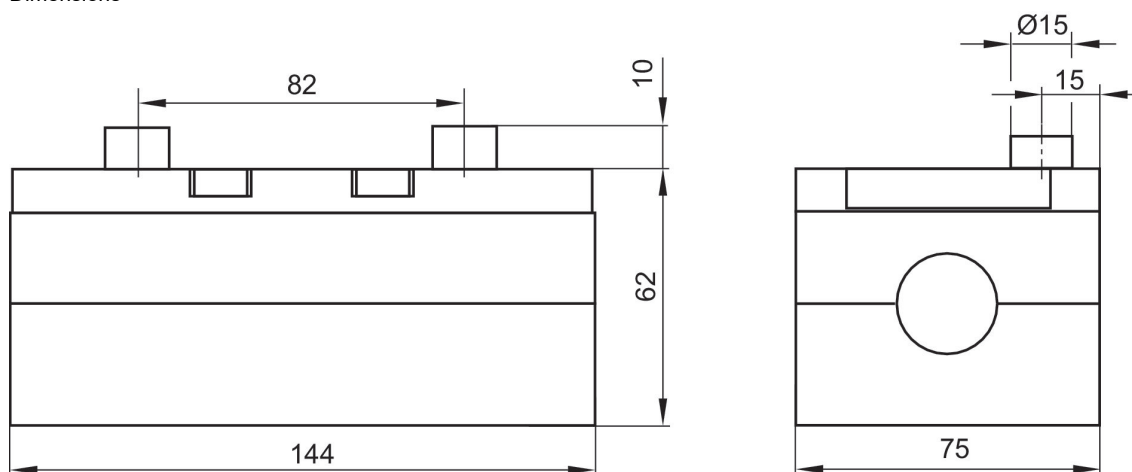
**5/2-directional valve, Series 581, size 4**

6000 l/min  
Single Air Pilot  
ISO 5599-1  
Base plate connection  
Pneumatically  
Base plate ISO 5599-1



Min. working pressure [bar]	Max. working pressure [bar]	Throttle	Part No.
-0.95	16		5814130000
-0.95	16	with throttle	5814131000

Dimensions



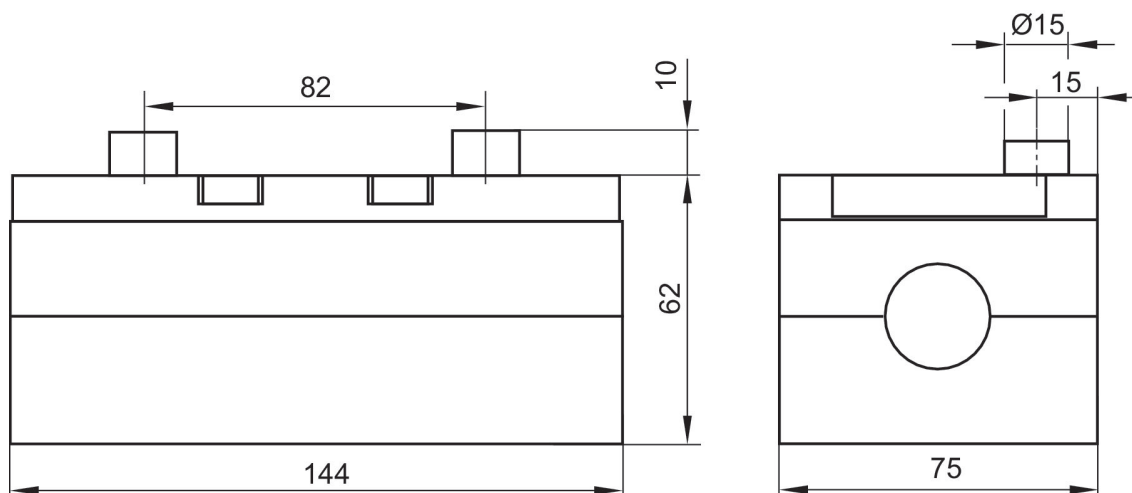
**5/2-directional valve, Series 581, size 4**

6000 l/min  
Double Air Pilot  
ISO 5599-1  
Base plate connection  
Pneumatically  
Base plate ISO 5599-1



Min. working pressure [bar]	Max. working pressure [bar]	Part No.
-0.95	16	5814230100

Dimensions



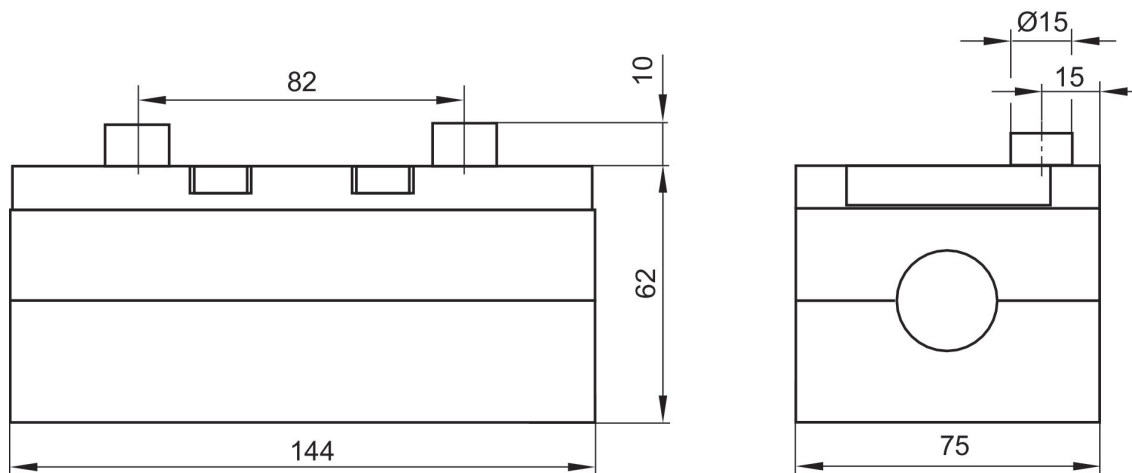
**5/2-directional valve, Series 581, size 4**

6000 l/min  
Single Air Pilot  
ISO 5599-1  
Base plate connection  
Pneumatically  
Base plate ISO 5599-1



Min. working pressure [bar]	Max. working pressure [bar]	Part No.
-0.95	16	5814130100

Dimensions





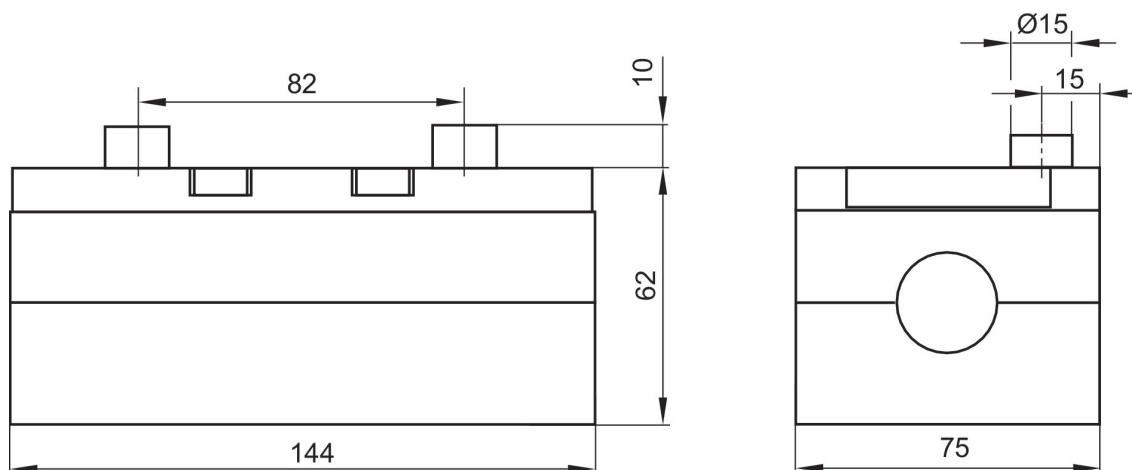
**5/2-directional valve, Series 581, size 4**

6000 l/min  
Double Air Pilot  
ISO 5599-1  
Base plate connection  
Pneumatically  
Base plate ISO 5599-1



Min. working pressure [bar]	Max. working pressure [bar]	Part No.
-0.95	16	5814630100

Dimensions



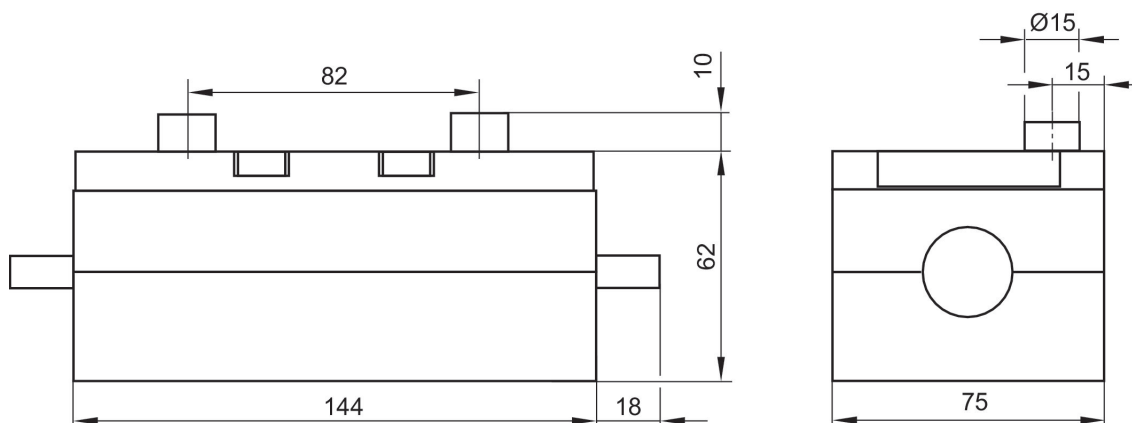
**5/2-directional valve, Series 581, size 4**

6000 l/min  
Double Air Pilot  
ISO 5599-1  
Base plate connection  
Pneumatically  
Base plate ISO 5599-1



Min. working pressure [bar]	Max. working pressure [bar]	Manual override	Part No.
-0.95	16	with detent	5814330100

Dimensions



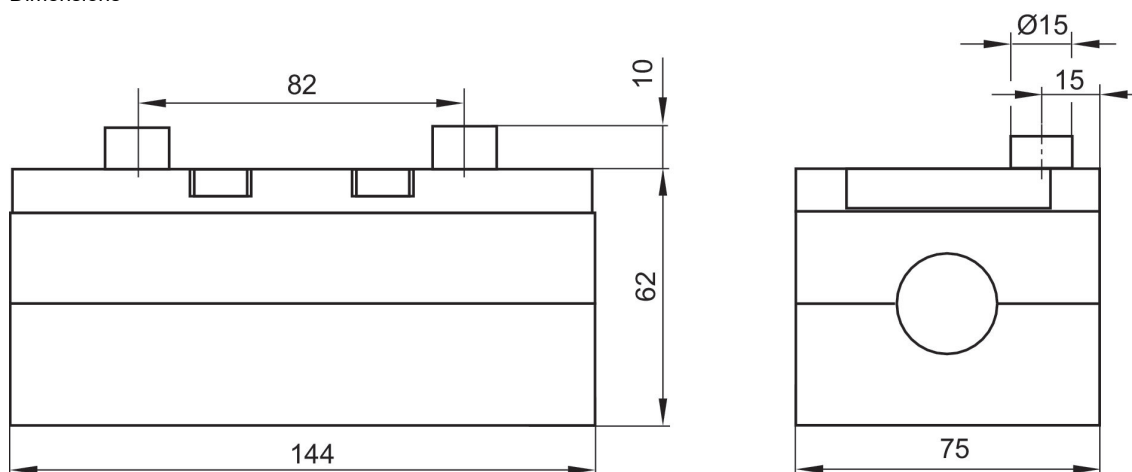
**5/2-directional valve, Series 581, size 4**

6000 l/min  
Double Air Pilot  
ISO 5599-1  
Base plate connection  
Pneumatically  
Base plate ISO 5599-1



Min. working pressure [bar]	Max. working pressure [bar]	Throttle	Part No.
-0.95	16		5814630000
-0.95	16	with throttle	5814631000

Dimensions



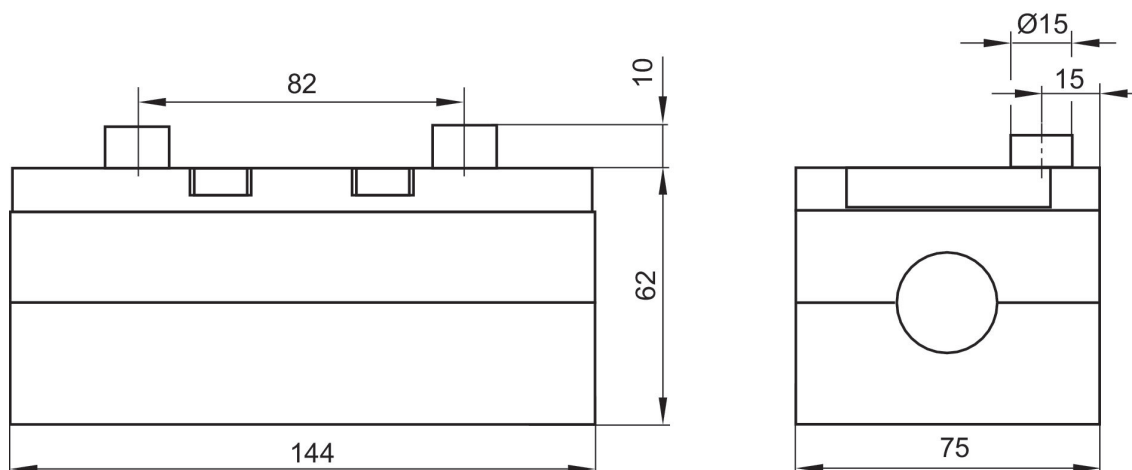
**5/3-directional valve, Series 581, size 4**

5000 l/min  
ISO 5599-1  
Base plate connection  
Pneumatically  
Base plate ISO 5599-1



	Min. working pressure [bar]	Max. working pressure [bar]	Throttle	Part No.
Closed Center	-0.95	16		5814430000
Closed Center	-0.95	16	with throttle	5814431000
Exhausted Center	-0.95	16		5814530000
Exhausted Center	-0.95	16	with throttle	5814531000
Pressurized Center	-0.95	16		5814730000
Pressurized Center	-0.95	16	with throttle	5814731000

Dimensions



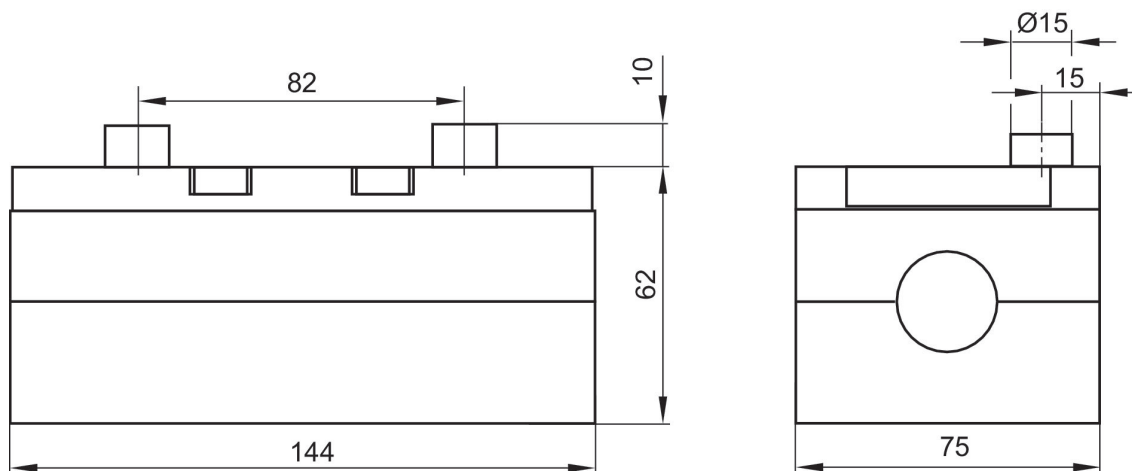
**5/3-directional valve, Series 581, size 4**

5000 l/min  
ISO 5599-1  
Base plate connection  
Pneumatically  
Base plate ISO 5599-1



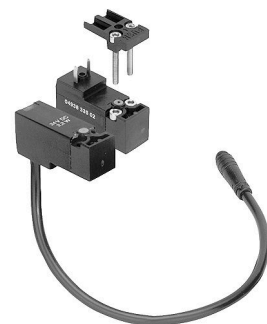
	Min. working pressure [bar]	Max. working pressure [bar]	Part No.
Closed Center	-0.95	16	5814430100
Exhausted Center	-0.95	16	5814530100
Pressurized Center	-0.95	16	5814730100

Dimensions



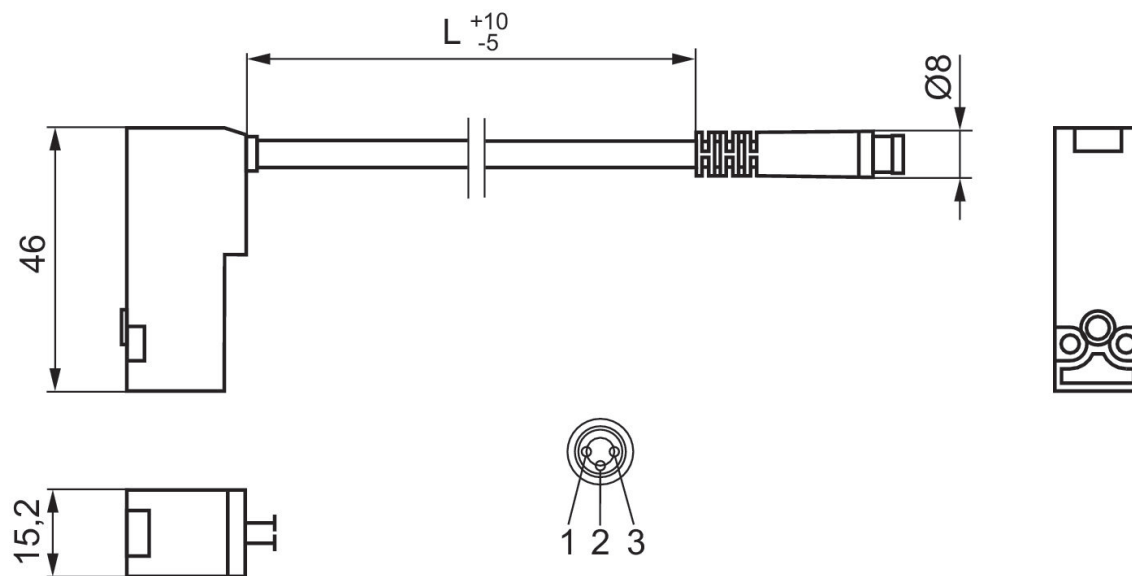
**Pilot valve**

Electrically



Min. working pressure [bar]	Max. working pressure [bar]	Operational voltage	Power consumption DC [W]	Manual override	Part No.
0	10	24 V	2.2	without detent	0493833308
0	10	24 V	2.2	without detent	0493832506
0	10	24 V	2.2	without detent	0493833103
0	10	24 V	2.2	without detent	0493838601

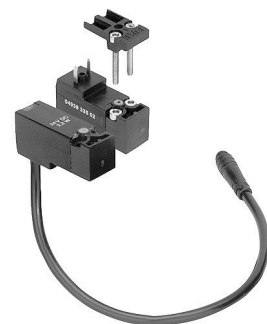
Dimensions



Pin assignment 1) +24 V 2) ground 3) 0 V

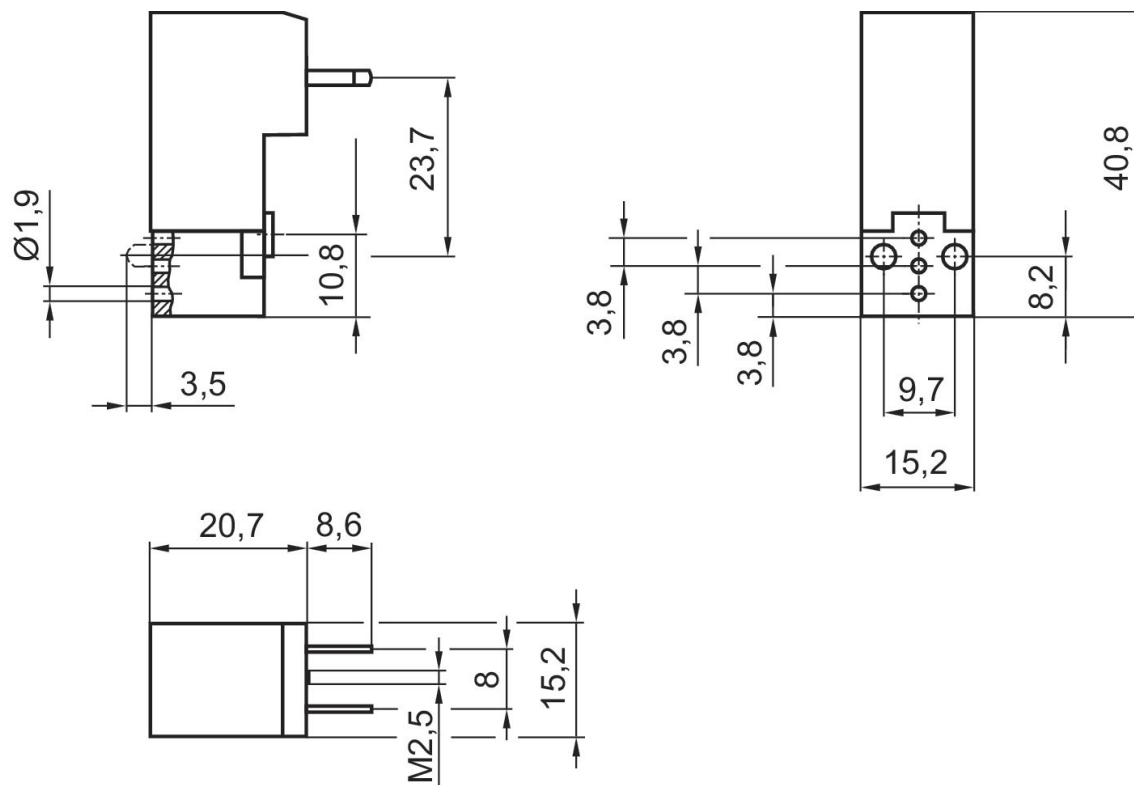
**Pilot valve**

Electrically



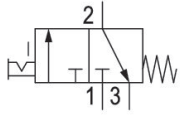
Min. working pressure [bar]	Max. working pressure [bar]	Operational voltage	Power consumption DC [W]	Manual override	Part No.
0	10	24 V	2	without detent	0493833502

Dimensions



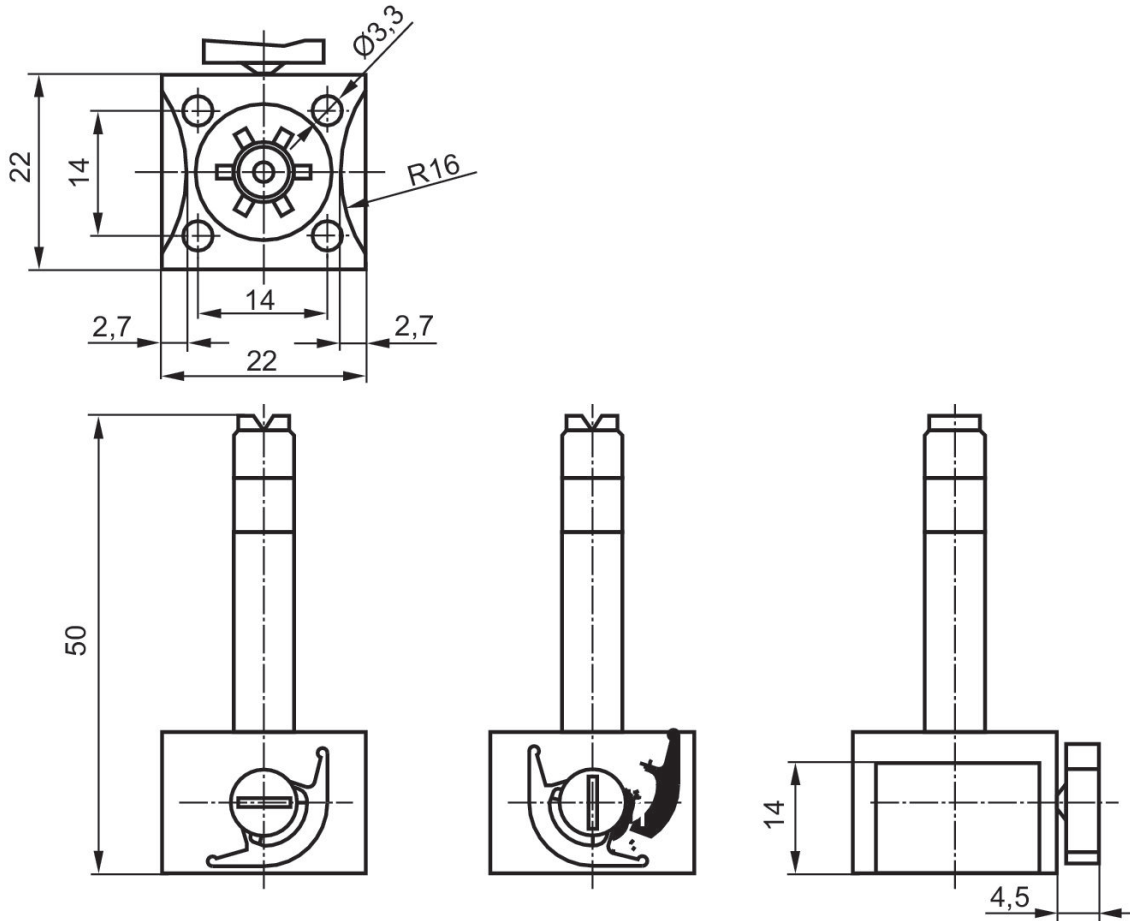
**Pilot valve**

Electrically



Min. working pressure [bar]	Max. working pressure [bar]	Operational voltage	Operational voltage	Operational voltage	Power consumption DC [W]	Manual override	Part No.
0	10	24 V	230 V	110 V	5	with detent	0493818805
0	10	24 V			2	with detent	0493818902

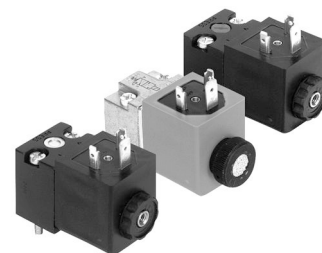
Dimensions





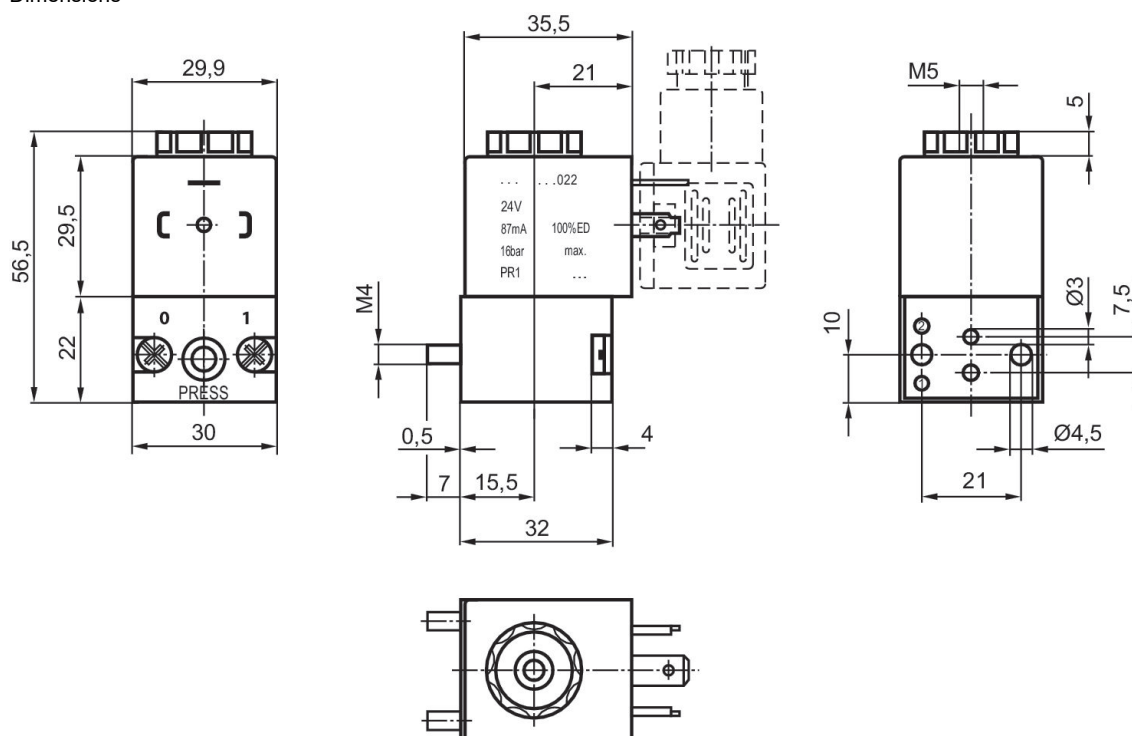
**Pilot valve**

CNOMO / NFE 49-003-1  
Electrically



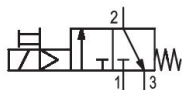
Min. working pressure [bar]	Max. working pressure [bar]	Operational voltage	Operational voltage	Voltage tolerance DC	Power consumption DC [W]	Part No.
0	10		230 V			5428110080
0	10	24 V		-10% / +10%	2	5420890020
0	16	24 V		-10% / +10%	6.7	5420850020
0	16		230 V			5428150080
0	10	48 V		-10% / +10%	2	5420890030
0	10	110 V		-10% / +10%	2	5420890070
0	10	220 V		-10% / +10%	2	5420890080
0	10		24 V			5428110020
0	10		48 V			5428110040
0	10		110 V			5428110070

**Dimensions**



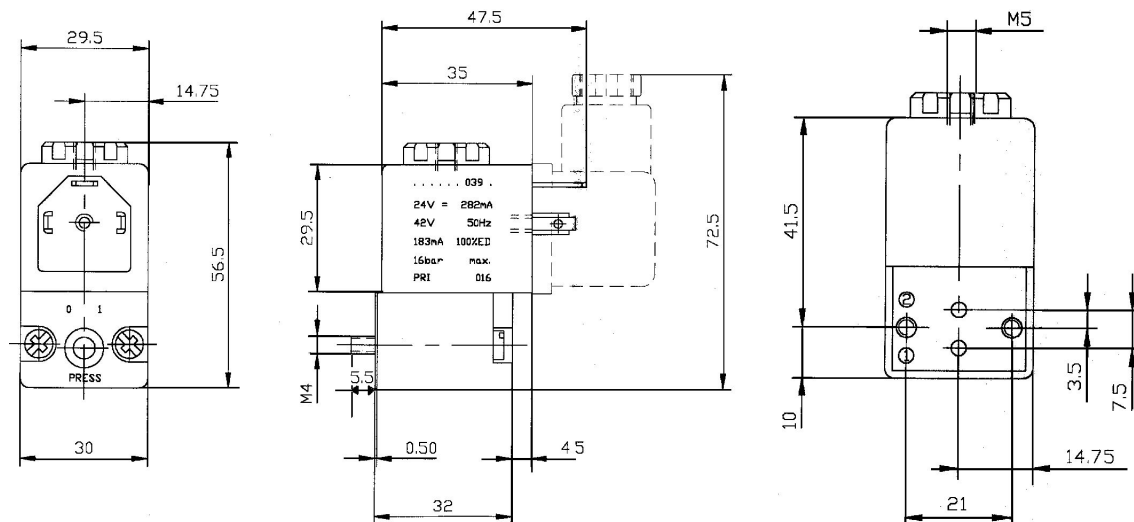
**3/2-directional valve**

Electrically



Operational voltage	Power consumption DC [W]	Manual override	Part No.
24 V DC	6.7	without detent	5420800390
230 V AC		without detent	5428200380
110 V AC		without detent	5428200370

**Dimensions**



**3/2-directional valve, Series DO30**

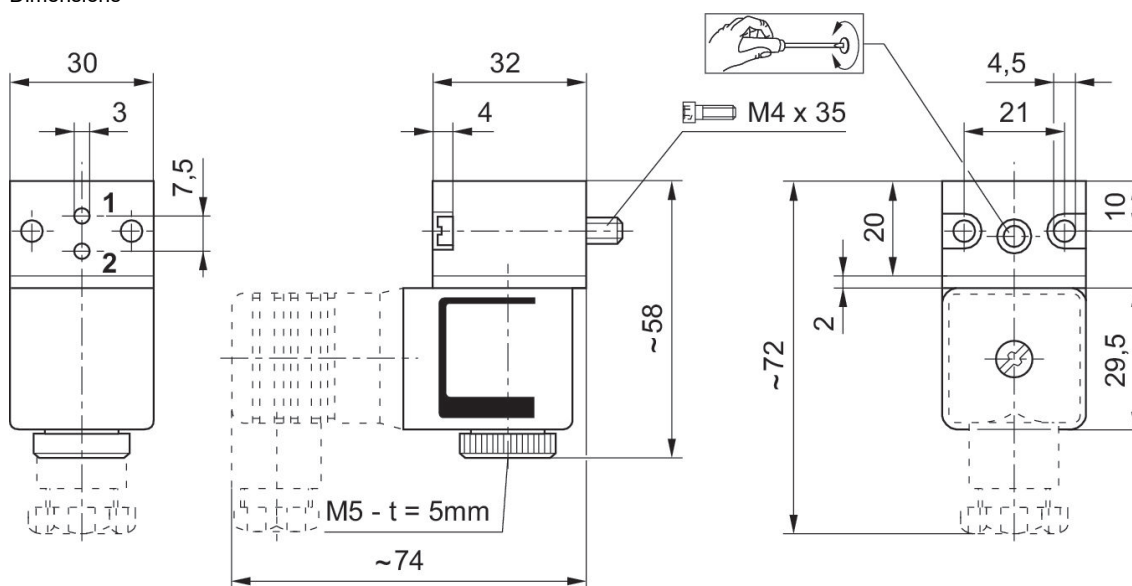
CNOMO / NFE 49-003-1  
Plug  
EN 175301-803, form A  
flange  
Internal thread  
Electrically



Valve function	Basic valve equipment	Switching principle	Compressed air connection	Operational voltage	Power consumption DC [W]	Manual override	Nominal flow Qn 1 to 2 [l/min]	Compatibility index	Part No.
NC		3/2, with spring return	CNOMO	24 V AC		without detent	68	15	0820019527
NC		3/2, with spring return	CNOMO	24 V DC	4.5	without detent	68	15	0820019526
NC		3/2, with spring return	CNOMO	24 V DC	2.7	without detent	54	14	0820019529
NC		3/2, with spring return	CNOMO	110 V AC		without detent	68	15	0820019528
NC		3/2, with spring return	CNOMO	230 V AC		without detent	68	15	0820019525
NC	Basic valve without coil	3/2, with spring return	CNOMO			without detent	68	15	0820019985
NC	Basic valve without coil	3/2, with spring return	CNOMO			without detent	54	14	0820019986
NC	Basic valve without coil	3/2, with spring return	CNOMO			without detent	72	15	0820019987
NC	Basic valve without coil	3/2, with spring return	CNOMO			with detent	72	15	0820019982
NC		3/2, with spring return	CNOMO	24 V AC		with detent	65	15	0820019502
NC		3/2, with spring return	CNOMO	24 V DC	4.5	with detent	65	15	0820019501
NC		3/2, with spring return	CNOMO	24 V DC	2.7	with detent	54	14	0820019504
NC		3/2, with spring return	CNOMO	110 V AC		with detent	65	15	0820019503

Valve function	Basic valve equipment	Switching principle	Compressed air connection	Operational voltage	Power consumption DC [W]	Manual override	Nominal flow Qn 1 to 2 [l/min]	Compatibility index	Part No.
NC		3/2, with spring return	CNOMO	230 V AC		with detent	65	15	0820019500
NC	Basic valve without coil	3/2, with spring return	CNOMO			with detent	65	15	0820019980
NC	Basic valve without coil	3/2, with spring return	CNOMO			with detent	54	14	0820019981

Dimensions



t = depth

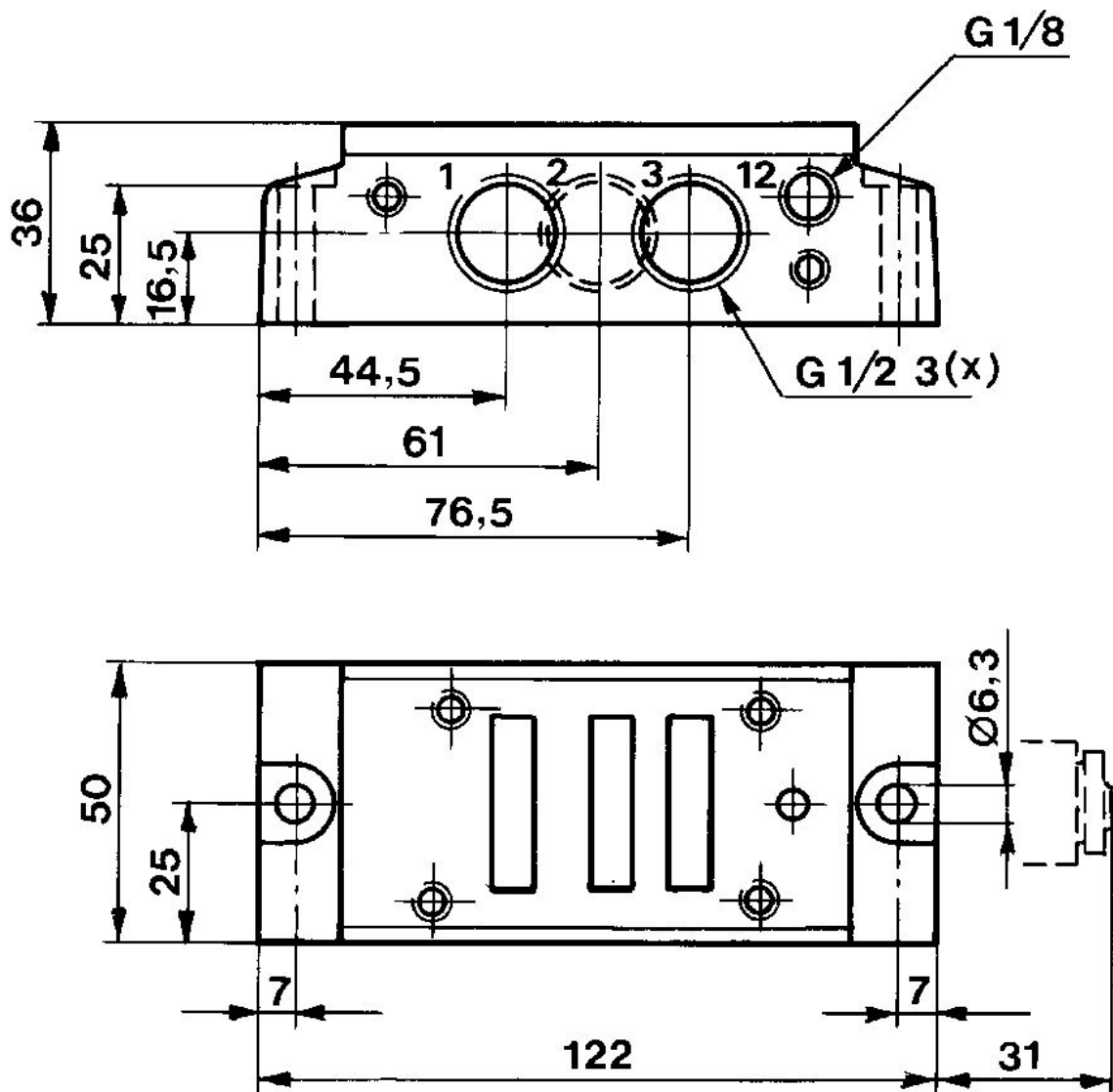
**Single subbase, for soft-start valve**

Internal thread  
G 1/2  
G 1/2



Compressed air connection input	Compressed air connection output	Compressed air connection, exhaust	Compressed air connection pilot air	Max. number of valve positions	Part No.
G 1/2	G 1/2	G 1/2	G 1/8	1	5834710000

Dimensions



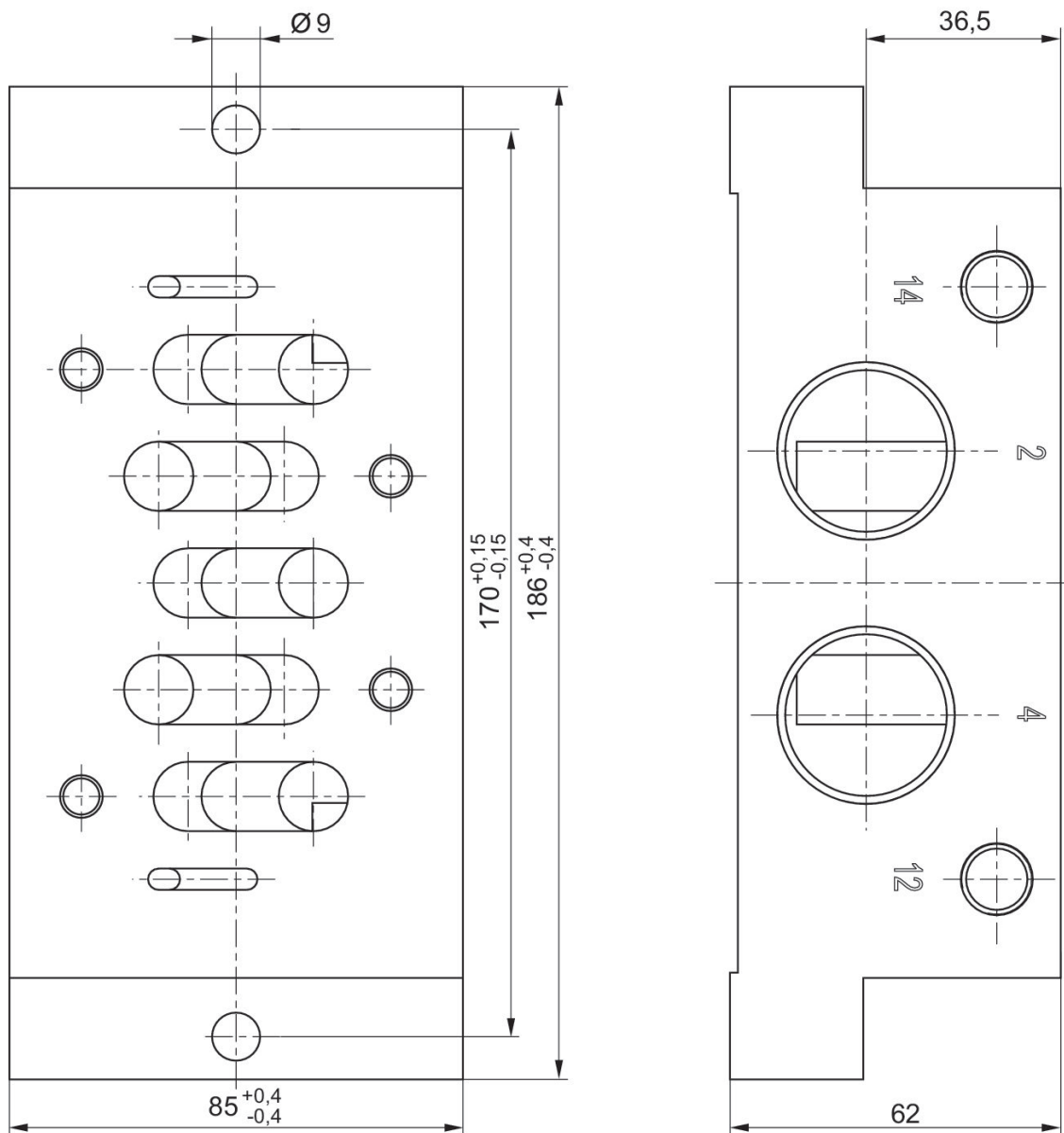
**Single subbase, thread connections on the side**

ISO 5599-1  
Internal thread  
G 1"  
G 1"



Frame size	Compressed air connection input	Compressed air connection output	Compressed air connection, exhaust	Compressed air connection pilot air	Max. number of valve positions	Part No.
ISO 4	G 1"	G 1"	G 1"	G 1/4"	1	8985044044

Dimensions



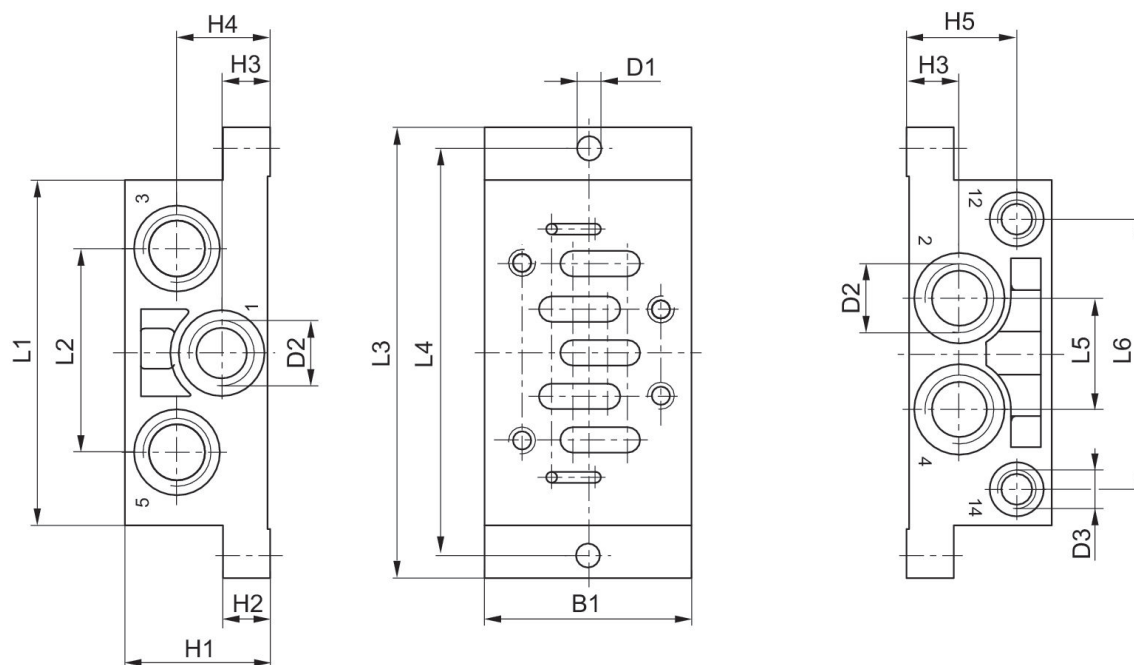
**Single subbase, thread connections on the side**

ISO 5599-1  
Internal thread



Frame size	Compressed air connection input	Compressed air connection output	Compressed air connection, exhaust	Compressed air connection pilot air	Max. number of valve positions	Part No.
ISO 4	G 3/4	G 3/4	G 3/4	G 1/8	1	8985041404

8985041104



Part No.	B1	H1	H2	H3	H4	H5	D1	D2 *)	D3 *)	L1
1825503143	48	32	10	11,5	21,5	23,5	5,5	G 1/4	G 1/8	84
1825503146	57	40	13	14	26	30	6,6	G 3/8	G 1/8	95
1825503149	71	32	18	17	17	22	6,6	G 1/2	G 1/8	119
8985041404	85	42	19	22	22	30	9	G 3/4	G 1/8	148

L2	L3	L4	L5	L6
43	110	98	24	58
56	124	112	30	74
68	149	136	32	90



L2	L3	L4	L5	L6
90	186	170	42	111

\*) Ports

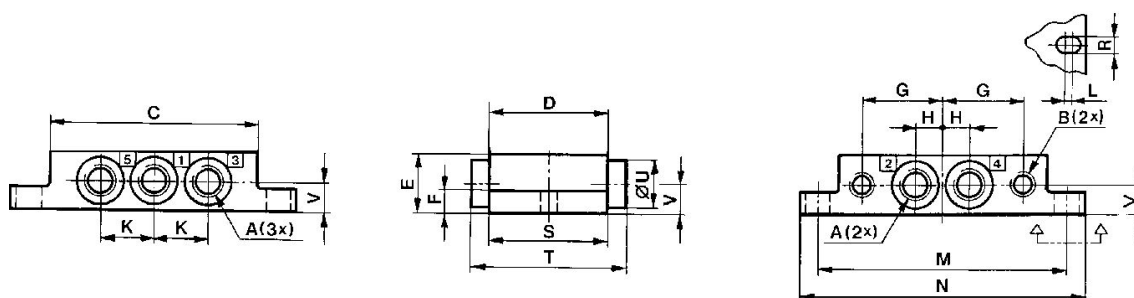
**Single subbase, ports on side**

ISO 5599-1



Frame size	Compressed air connection input	Compressed air connection output	Compressed air connection, exhaust	Compressed air connection pilot air	Max. number of valve positions	Part No.
ISO 4	G 1/2	G 1/2	G 1/2	G 1/8	1	5804710000

**Dimensions**



Part No.	A *)	B *)	C	D	E	F	G	H	K	L
5801710000	G 1/8	G 1/8	70	40	20	8	26.5	9	18	2
5801740000	G 1/4	G 1/8	70	40	23	11	31.5	11.5	23	2
5801810000	Ø 6	Ø 4	70	40	20	8	26.5	9	18	2
5801770000	Ø 8	Ø 6	70	40	23	10	31.5	11.5	23	2
5802710000	G 1/4	G 1/8	86	52	23	8	34	12	24	2
5802740000	G 3/8	G 1/8	86	50	30	13	39	15	30	2
5802810000	Ø 8	Ø 6	86	52	23	8	34	12	24	2
5803710000	G 3/8	G 1/8	118	65	32	10	45	16	32	2
5804710000	G 1/2	G 1/8	142	76	37	10	55.5	20	40	2

M	N	R	S	T	U	V
84	96	5.4	40	-	-	10
96	110	5.4	46	64	21	12
84	96	5.4	40	-	-	10
96	110	5.4	46	64	21	12
102	115	6.4	52	-	-	11.5
111	124	6.4	56	80	27	16
102	115	6.4	52	-	-	11.5

M	N	R	S	T	U	V
138	153	8.4	65	-	-	17.5
175	190	8.4	76	-	-	21

\*) Ports

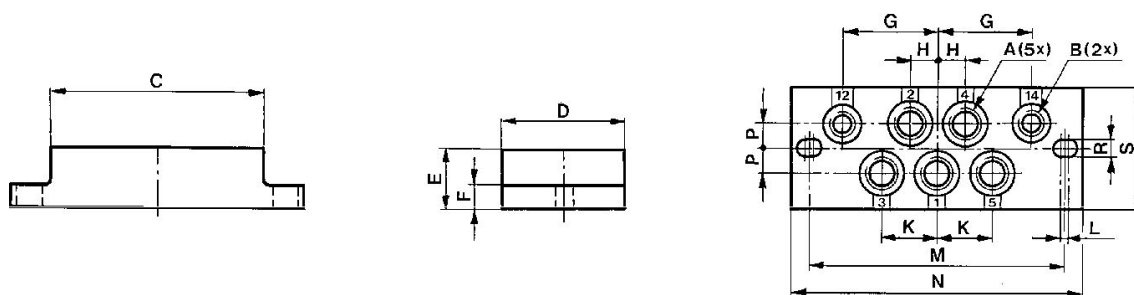
**Single subbase, ports on bottom**

ISO 5599-1



Frame size	Compressed air connection input	Compressed air connection output	Compressed air connection, exhaust	Compressed air connection pilot air	Max. number of valve positions	Part No.
ISO 4	G 1/2	G 1/2	G 1/2	G 1/8	1	5804700000

**Dimensions**



Part No.	A *)	B *)	C	D	E	F	G	H	K	L
5801700000	G1/8	G1/8	70	40	20	8	26.5	9	18	2
5801800000	Ø 6	Ø 4	70	40	20	8	26.5	9	18	2
5802700000	G1/4	G1/8	86	52	22	8	34	12	24	2
5802800000	Ø 8	Ø 6	86	52	22	8	34	12	24	2
5803700000	G3/8	G1/8	118	65	32	10	45	16	32	2
5804700000	G1/2	G1/8	142	76	37	10	55.5	20	40	2

M	N	P	R	S
84	96	8	5.4	40
84	96	8	5.4	40
102	115	10	6.4	52
102	115	10	6.4	52
138	153	11	8.4	65
175	190	13	8.4	76

\*) Ports

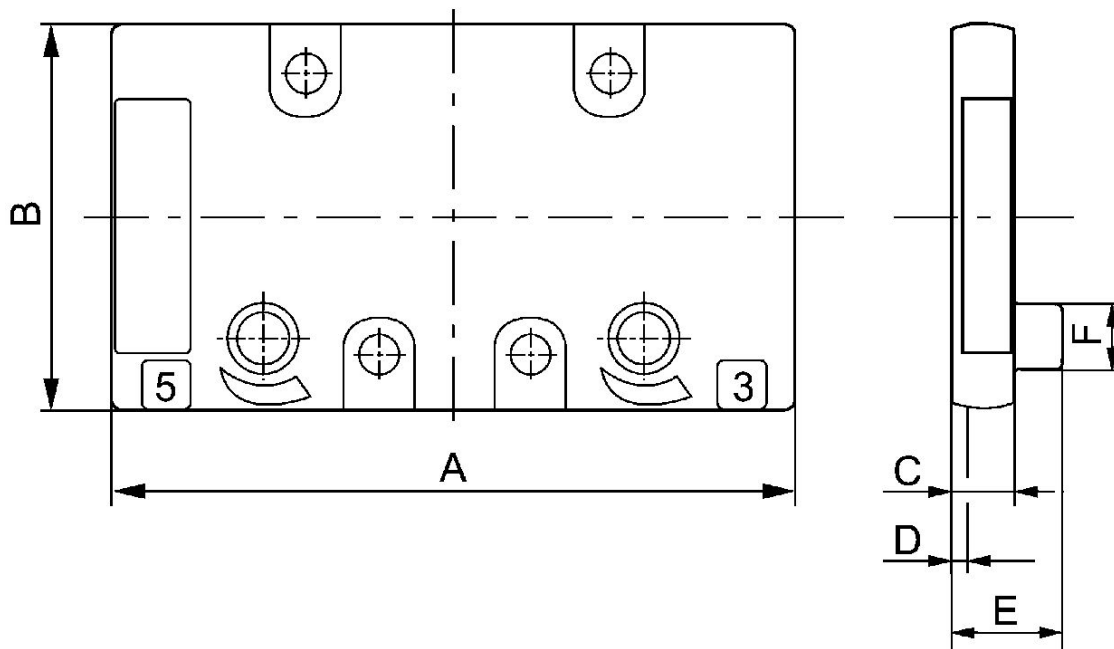
**Blanking plate**

ISO 5599-1



Frame size	Max. number of valve positions	Part No.
ISO 4	1	5804870000

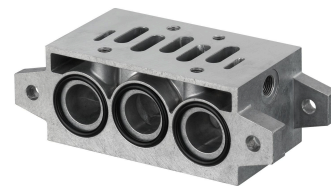
Dimensions



Part No.	A	B	C	D	E	F
5801870000	69	39	7	2	-	-
5802870000	86.4	49.4	9	2	-	-
5803870000	116.5	63.5	10	2	15	12
5804870000	142.5	74.5	10	2	20	15

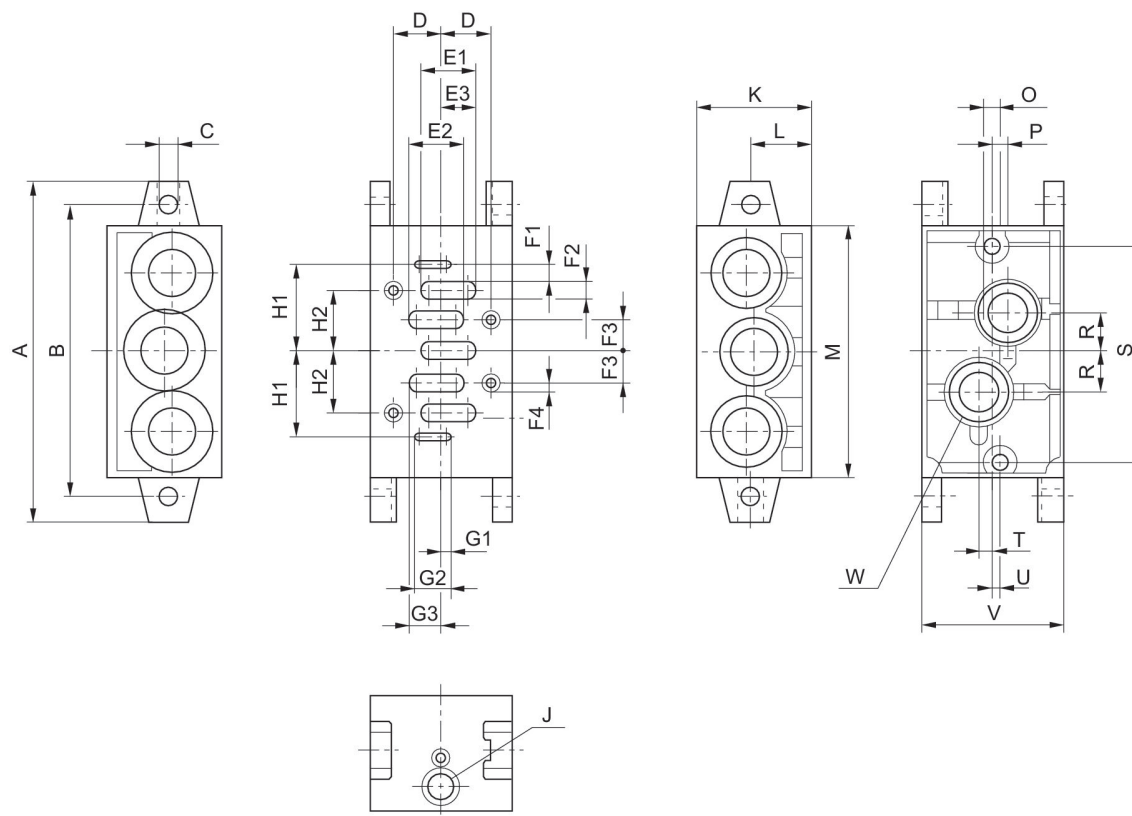
**Base plate, ports 2 and 4 on bottom**

ISO 5599-1  
Internal thread



Frame size	Compressed air connection output	Compressed air connection pilot air	Max. number of valve positions	Part No.
ISO 4	G 3/4	G 1/8	1	8985041422

Dimensions



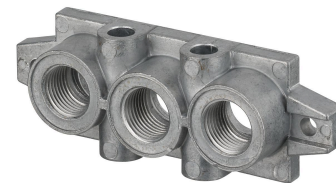
Part No.	A	B	C	D	E1	E2	E3	F1	F2	F3
1825503144	110	95	5,5	14	16,5	16,5	11,25	3	4,5	9
1825503147	135	115	6,6	19	22	22	13,5	3	7	12
1825503150	190	168	9	24	29	29	16,5	4	10	16
8985041422	215	184	11	—	—	—	—	—	—	—

F4	G1	G2	G3	H1	H2	J	K	L	M	O
M5	3	13,5	11,25	26,5	18	G 1/8	44	22	85	M5
M6	3	14,5	13,5	34	24	G 1/8	45	24	100	M6
M8	4	17,5	16,5	45	32	G 1/8	54	25	140	M8
—	—	—	—	—	—	—	55	30	142	M8

P	R	S	T	U	V	W
7,5	13	71	1,5	3	43	G 1/4
6	15	86	5	3	56	G 3/8
8	19	130	6	3	71	G 1/2
8	26	—	9	3	82	G 3/4

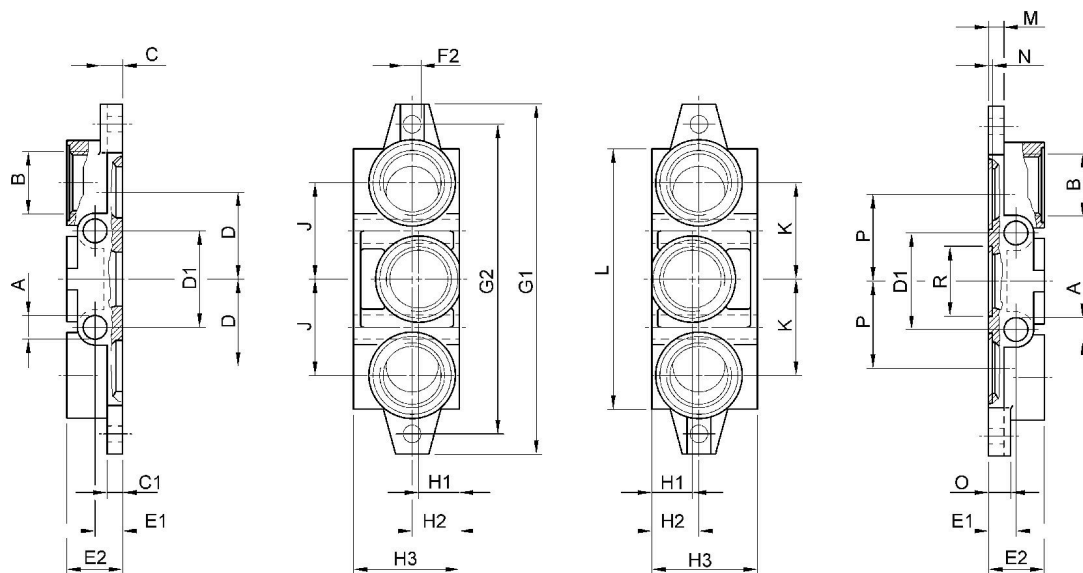
**End plate left, End plate right**

ISO 5599-1  
Internal thread  
G 1  
G 1



Frame size	Compressed air connection input	Compressed air connection, exhaust	Part No.
ISO 4	G 1	G 1	8985041442

Dimensions



Part No.	A	B	C	C1	D	D1	E1	E2	F2	G1
1825503145	7	G 3/8	8	6	24	28	11	22	Ø 5,5	110
1825503148	9	G 1/2	11	8	31,5	35	13	26	Ø 6,6	135
1825503151	12	G 1	12	8	47	52	15	32	Ø 9	190
8985041442	12	G 1	19	12	54	56	15	30	Ø 11	215

G2	H1	H2	H3	J	K	L	M	N	O	P
95	22	22	46	28	28	85	6	2	8	24
115	23	24	47	34	34	100	8	2	11	31,5
168	22	25	56	52	52	140	8	2,7	12	47
148	30	30	58	54	54		12	2,7	19	54

R
Ø 22,1



R
Ø 28,7
Ø 38
Ø 44,1

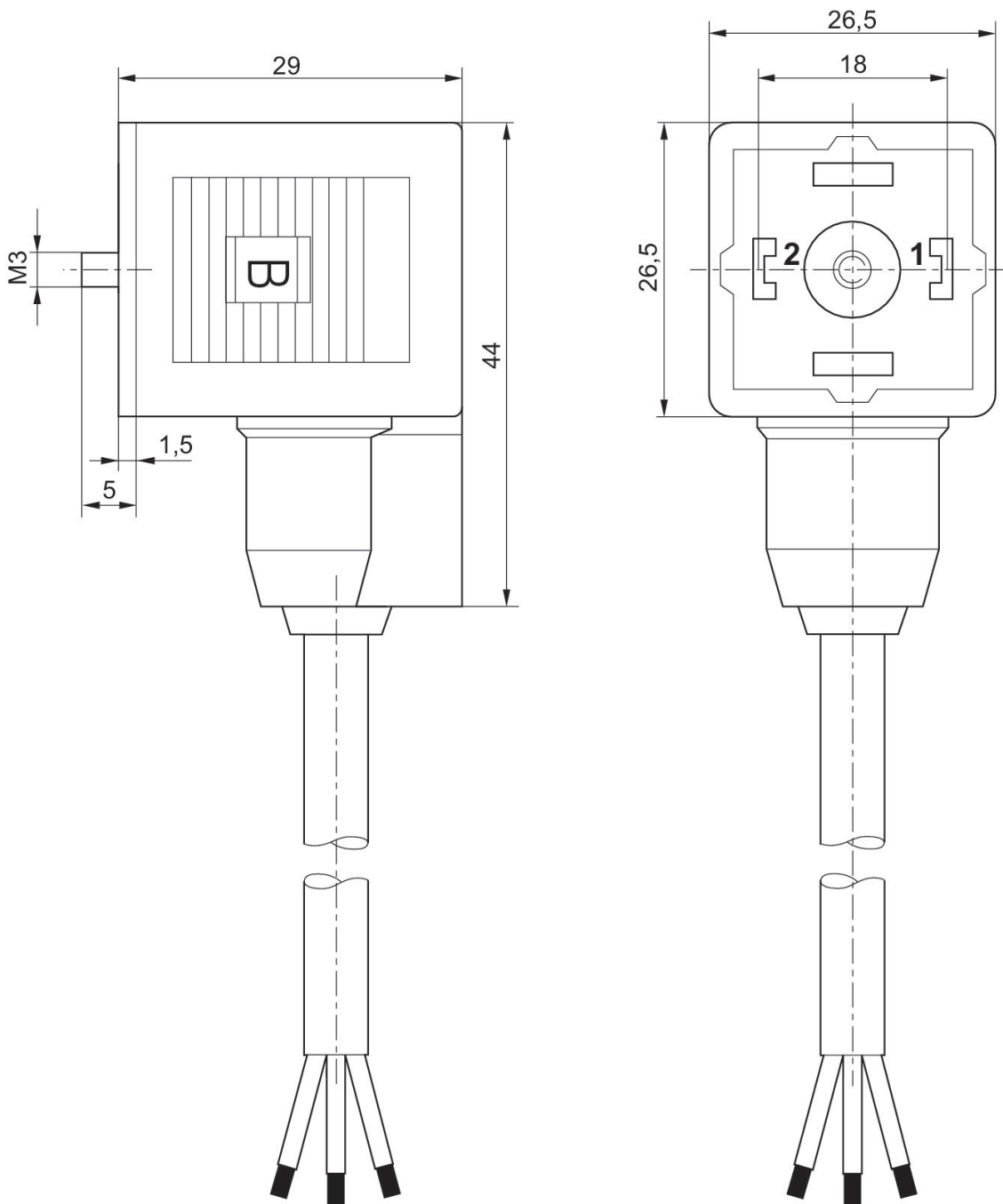
**Valve plug connector, series CON-VP**

form A



Operational voltage	Contact assignment	Cable-Ø [mm]	Cable length [m]	Part No.
230 V AC/DC	2+E	5.9	3	1834484160

Dimensions



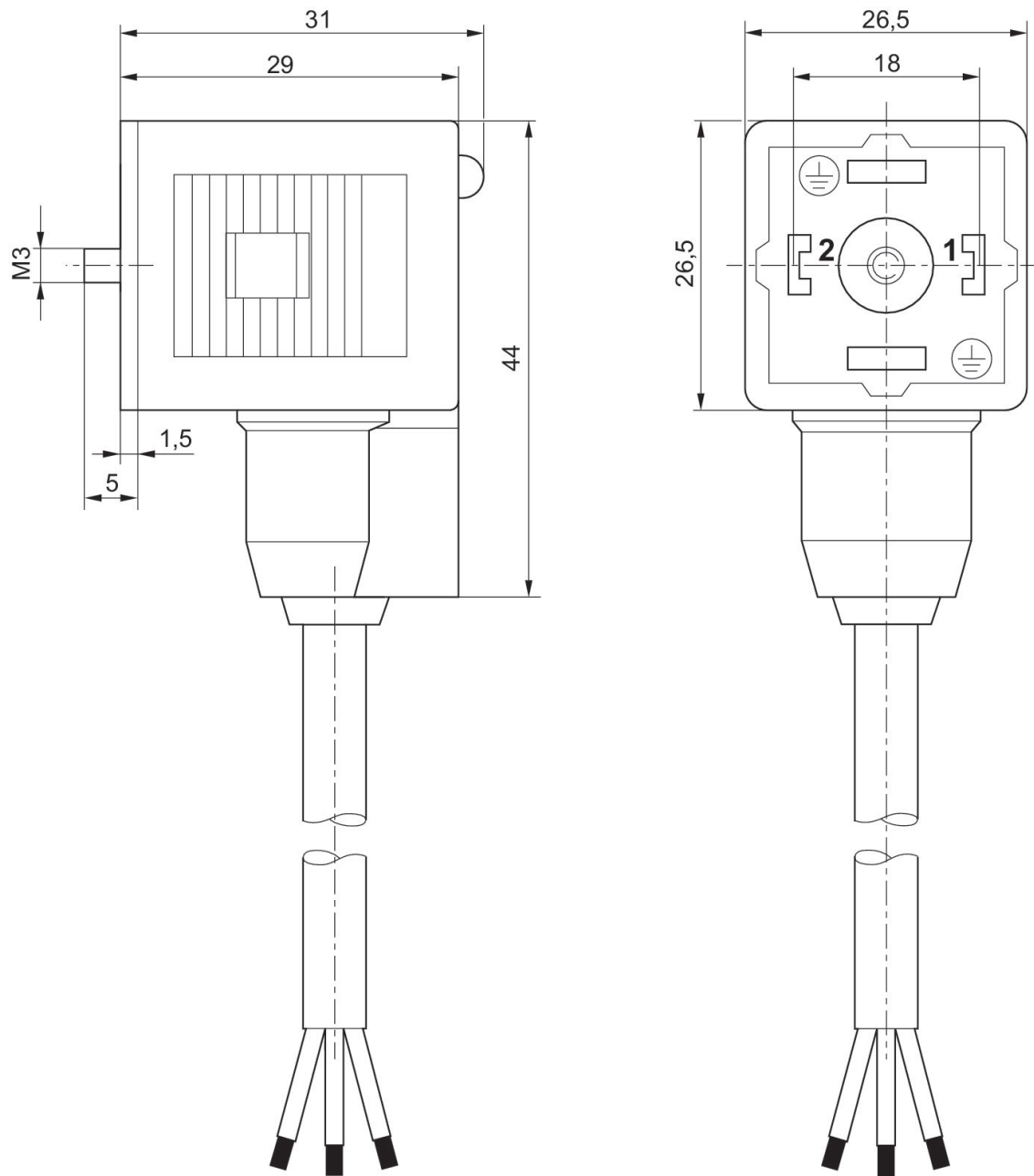
**Valve plug connector, series CON-VP**

form A



Operational voltage	Protective circuit	Contact assignment	LED status display	Cable-Ø [mm]	Cable length [m]	Part No.
24 V AC/DC	Z-diode	2+E	Yellow	5.9	3	1834484162
24 V AC/DC	Z-diode	2+E	Yellow	5.9	5	1834484163
230 V AC/DC	Varistor	2+E	Red	5.9	3	1834484164
230 V AC/DC	Varistor	2+E	Red	5.9	5	1834484165

Dimensions



**Valve plug connector, series CON-VP**

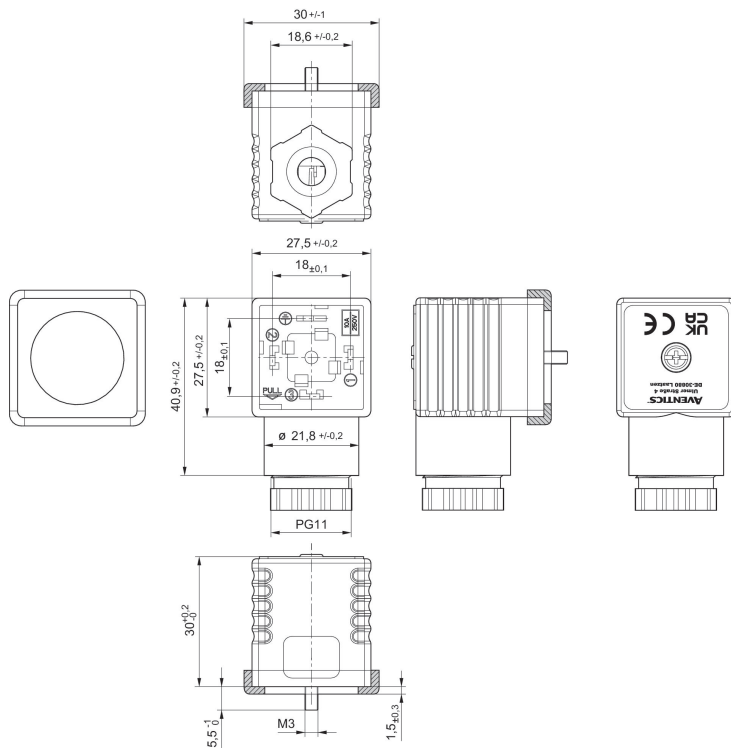
EN 175301-803, form A  
CE declaration of conformity  
UKCA



Operational voltage	Max. current [A]	Contact assignment	min. suitable cable Ø [mm]	max. suitable cable Ø [mm]	Part No.
300 V DC / 250 V AC	10	2+E	4	9.5	1834484048

**1834484048**

Dimensions



Profile seal

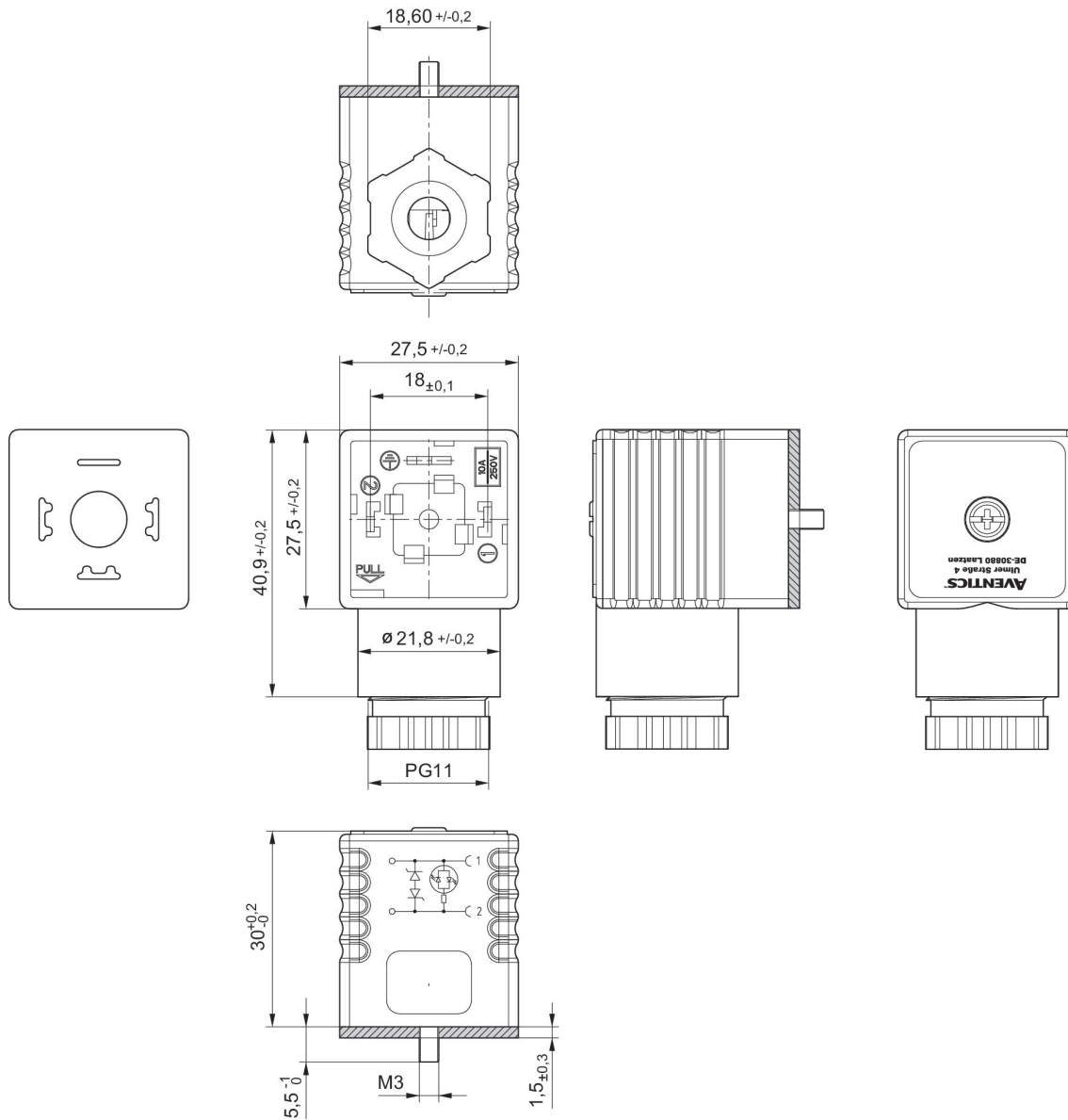
**Valve plug connector, series CON-VP**

EN 175301-803, form A



Operational voltage	Protective circuit	Max. current [A]	Contact assignment	LED status display	min. suitable cable Ø [mm]	max. suitable cable Ø [mm]	Part No.
24 V AC/DC	2 Z-diodes	1.5	2+E	Yellow	4	9.5	1834484101

Dimensions



Flat gasket



**Valve plug connector, series CON-VP**

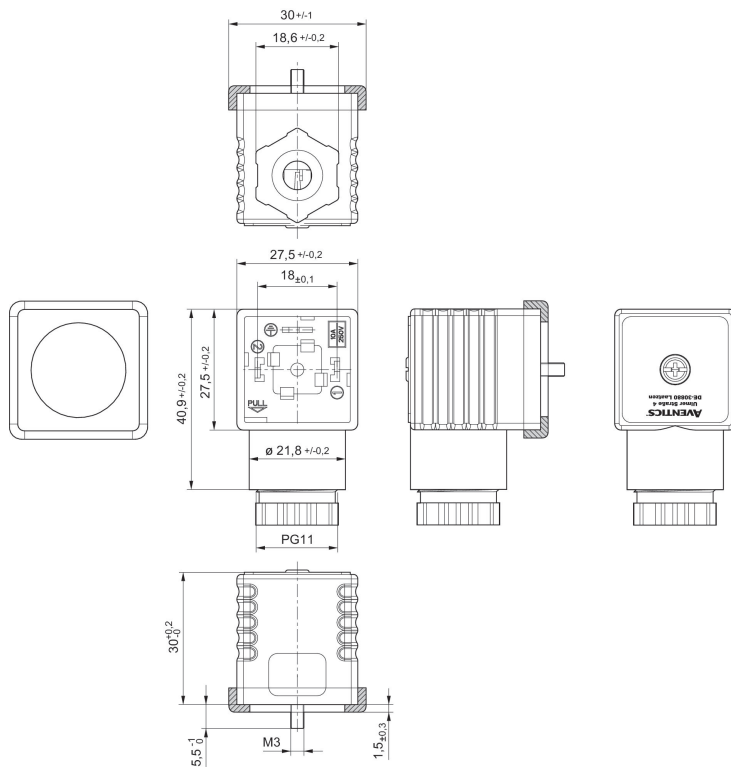
EN 175301-803, form A



Operational voltage	Protective circuit	Max. current [A]	Contact assignment	LED status display	min. suitable cable Ø [mm]	max. suitable cable Ø [mm]	Part No.
24 V AC/DC	Varistor	1.5	2+E	Green	4	9.5	8941016102

**8941016102**

Dimensions



Profile seal

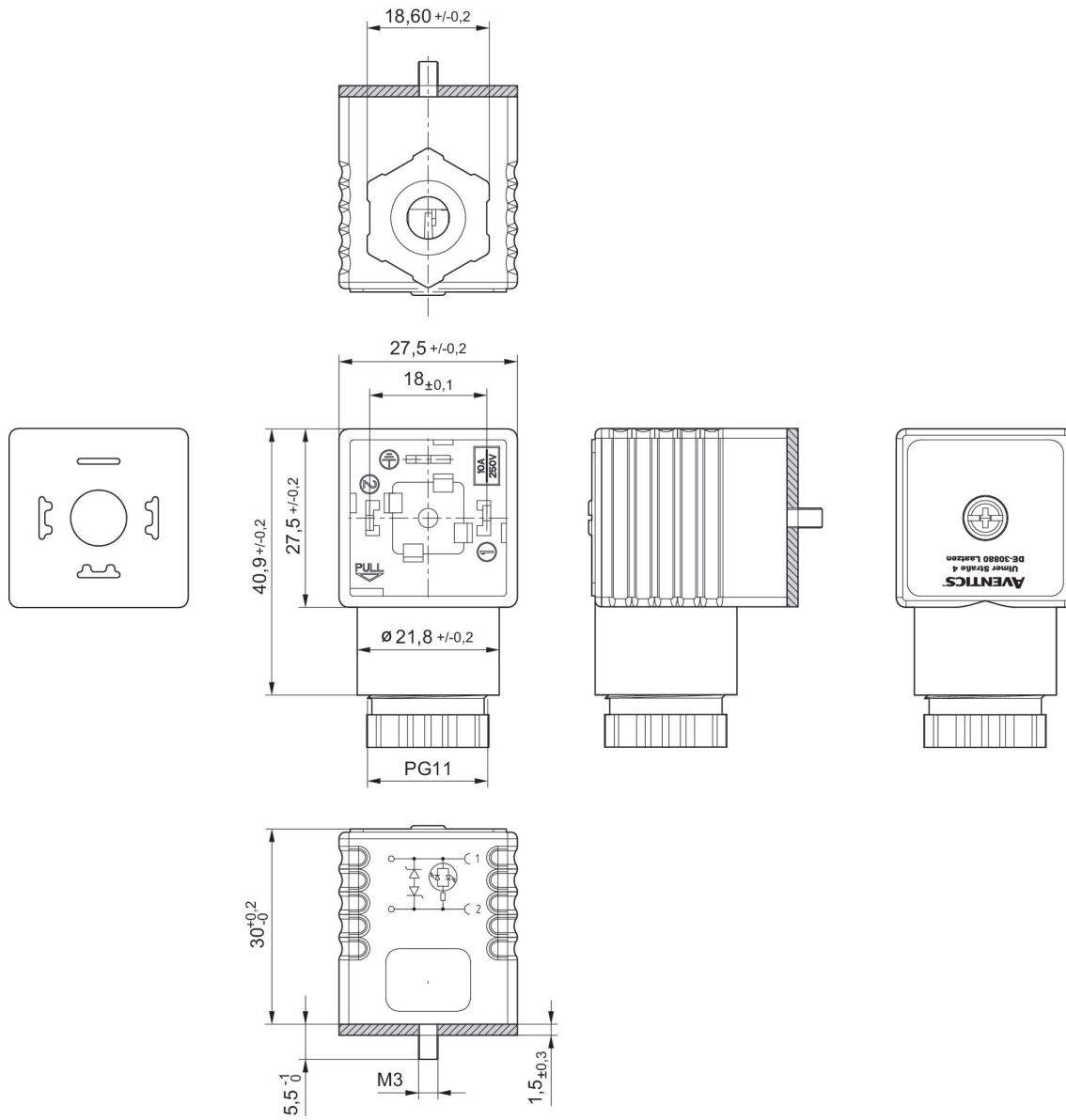
**Valve plug connector, series CON-VP**

EN 175301-803, form A  
CE declaration of conformity  
UKCA



Operational voltage	Protective circuit	Contact assignment	LED status display	min. suitable cable Ø [mm]	max. suitable cable Ø [mm]	Part No.
115 V AC/DC	Varistor	2+E	Red	6.5	9.5	1834484102
230 V AC/DC	Varistor	2+E	Red	6.5	9.5	1834484103

Dimensions



Flat gasket

**Valve plug connector, series CON-VP**

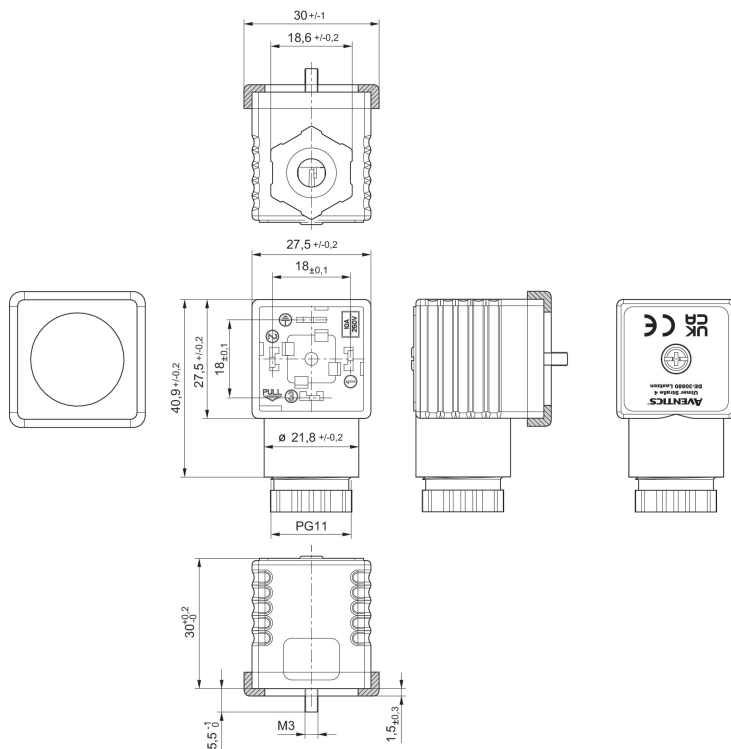
EN 175301-803, form A  
CE declaration of conformity  
UKCA



Operational voltage	Protective circuit	Contact assignment	LED status display	min. suitable cable Ø [mm]	max. suitable cable Ø [mm]	Part No.
230 V AC/DC	Varistor	2+E	Green	6.5	9.5	8941016112

**8941016112**

Dimensions



Profile seal

**Valve plug connector, series CON-VP**

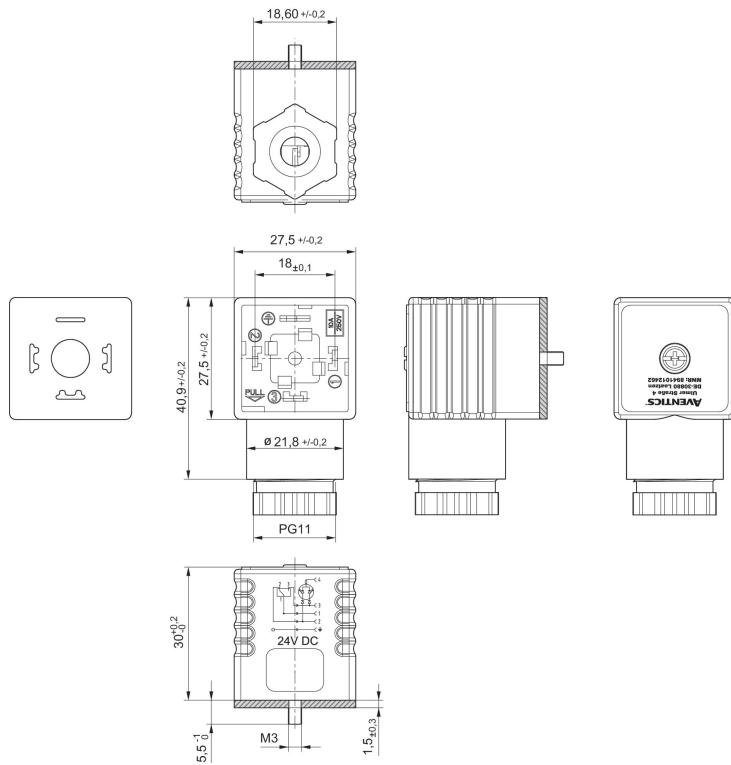
EN 175301-803, form A



Operational voltage	Protective circuit	Max. current [A]	Contact assignment	LED status display	min. suitable cable Ø [mm]	max. suitable cable Ø [mm]	Part No.
24 V DC	2 diodes (1 A)	1	3+E	green/red	4	9.5	8941012462

**8941012462**

Dimensions



Flat gasket

**Valve plug connector, series CON-VP**

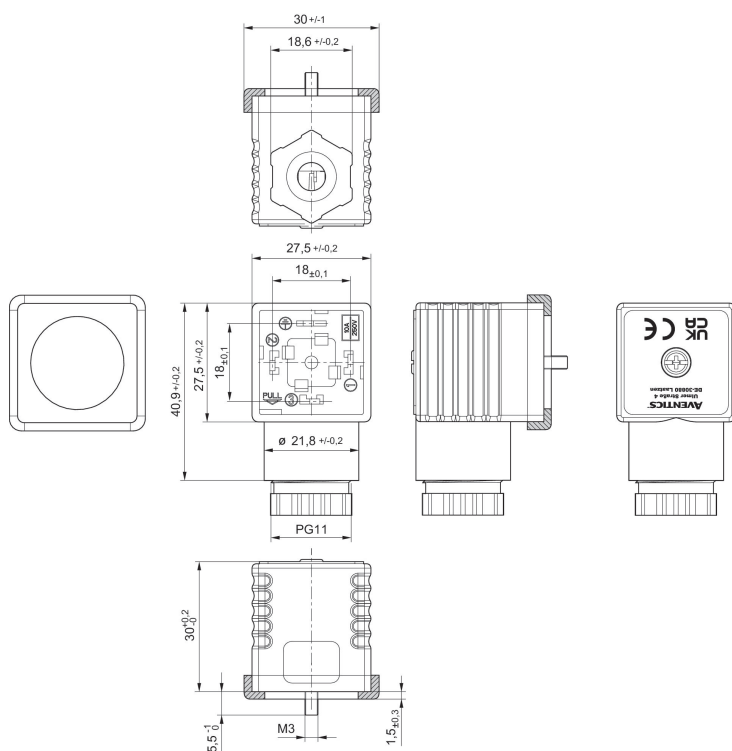
EN 175301-803, form A  
CE declaration of conformity  
UKCA



Operational voltage	Max. current [A]	Contact assignment	min. suitable cable Ø [mm]	max. suitable cable Ø [mm]	Part No.
300 V DC / 250 V AC	10	3+E	4	9.5	1834484059

**1834484059**

Dimensions



Profile seal

**Valve plug connector, series CON-VP**

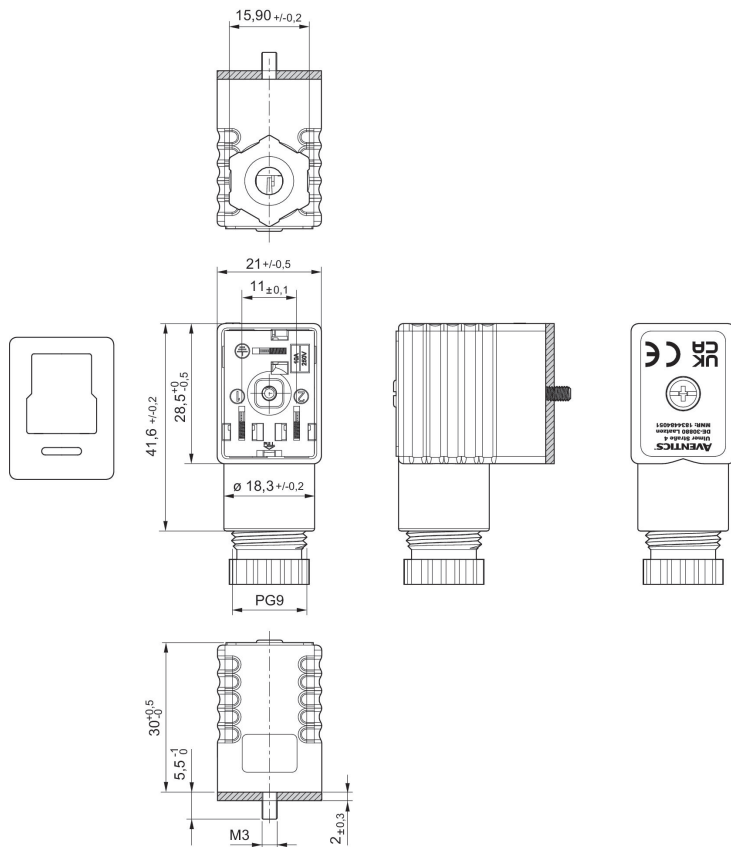
Form B, industry  
CE declaration of conformity  
UKCA



Operational voltage	Max. current [A]	Contact assignment	min. suitable cable Ø [mm]	max. suitable cable Ø [mm]	Part No.
300 V DC / 250 V AC	10	2+E	4	8	1834484051

**1834484051**

Dimensions



Flat gasket

**Valve plug connector, series CON-VP**

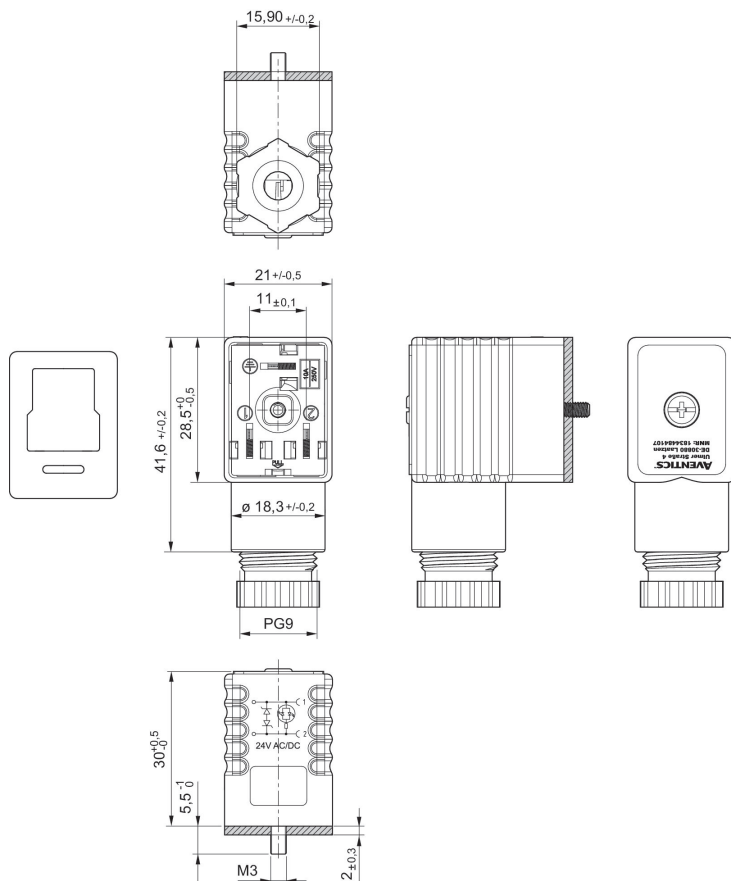
Form B, industry



Operational voltage	Protective circuit	Max. current [A]	Contact assignment	LED status display	min. suitable cable Ø [mm]	max. suitable cable Ø [mm]	Part No.
24 V AC/DC	2 Z-diodes	1.5	2+E	Yellow	4	8	1834484107

**1834484107**

Dimensions



Flat gasket



**Valve plug connector, series CON-VP**

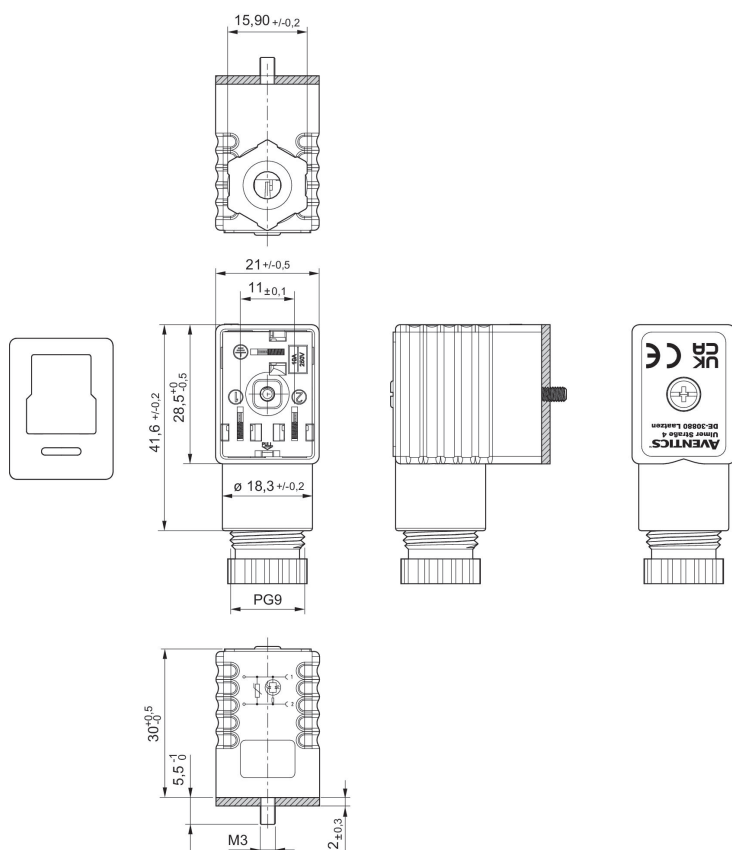
Form B, industry  
CE declaration of conformity  
UKCA



Operational voltage	Protective circuit	Max. current [A]	Contact assignment	LED status display	min. suitable cable Ø [mm]	max. suitable cable Ø [mm]	Part No.
115 V AC/DC	Varistor	1.5	2+E	Red	4	8	1834484108
230 V AC/DC	Varistor	1.5	2+E	Red	4	8	1834484109

**1834484108, 1834484109**

Dimensions



Flat gasket

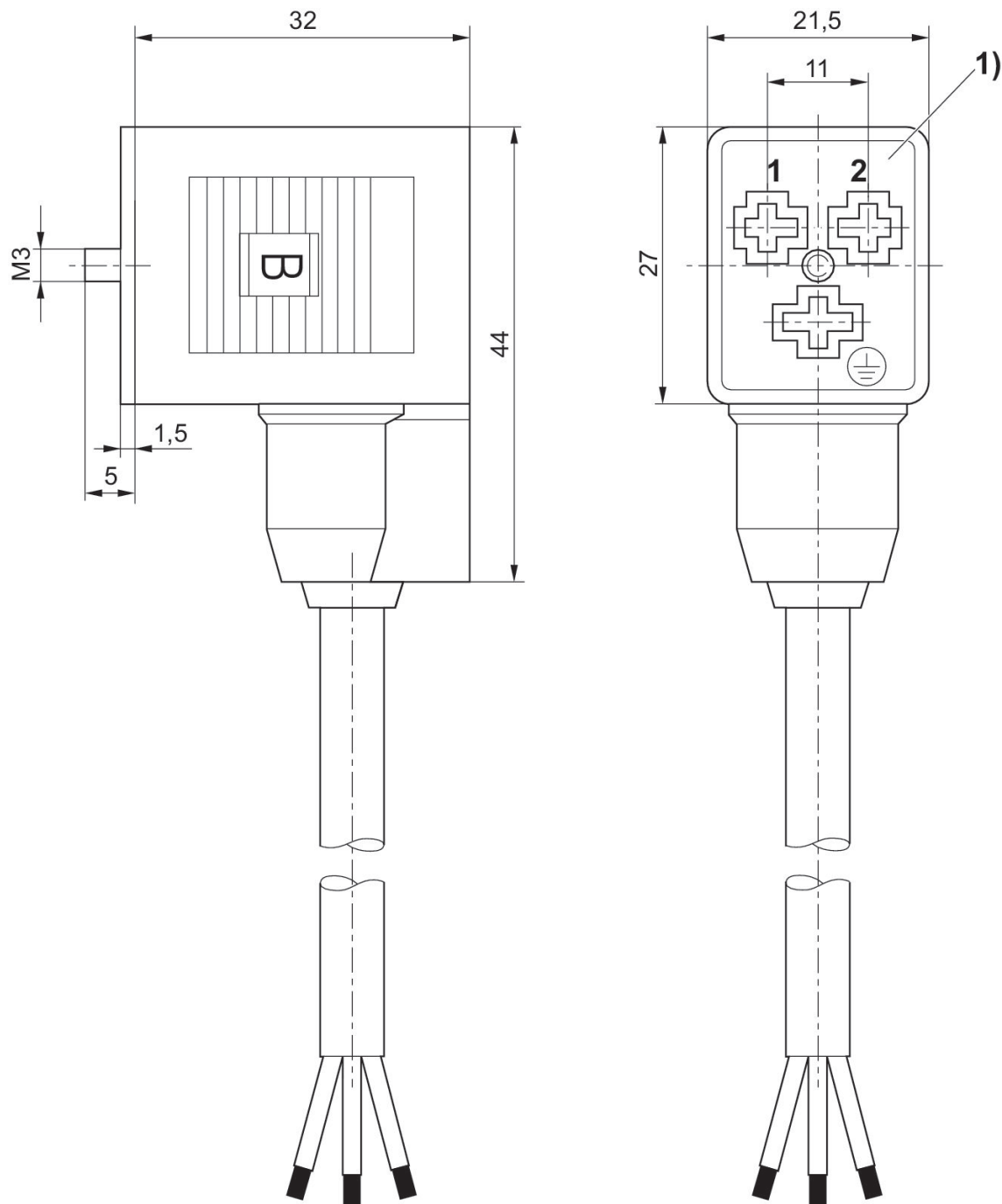
**Valve plug connector, series CON-VP**

Form B, industry



Max. current [A]	Contact assignment	Cable-Ø [mm]	Cable length [m]	Part No.
4	2+E	5.9	3	8946201912

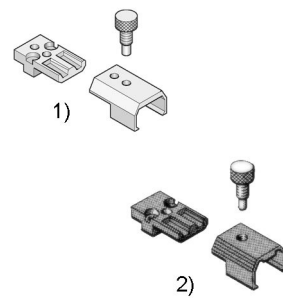
Dimensions



1) 0° female insert

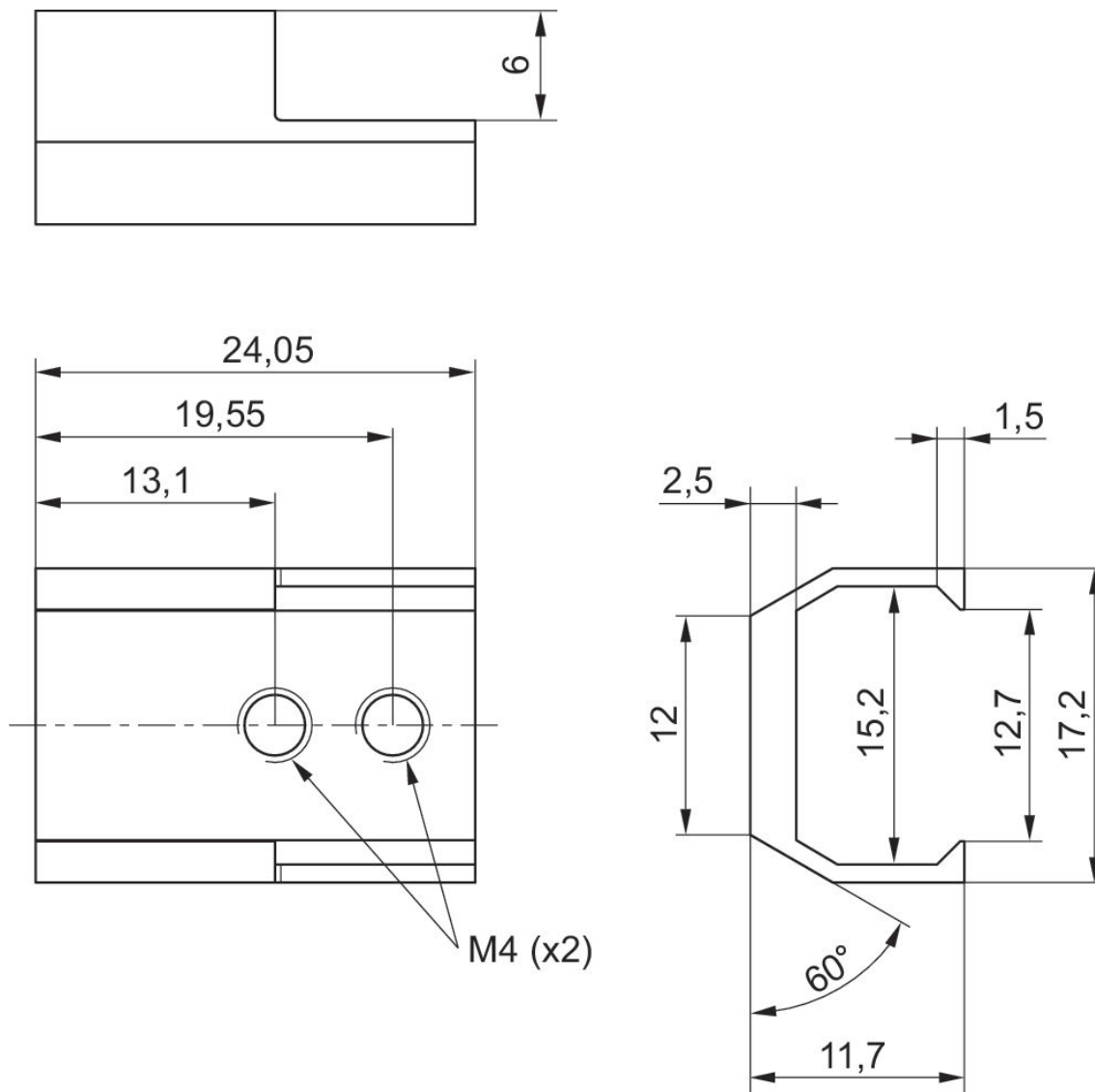
**Control unit for manual override**

581



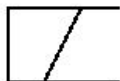
Type	Part No.
for double-sided electrically actuated valves, 15 pilot valve width	0493835718

Dimensions



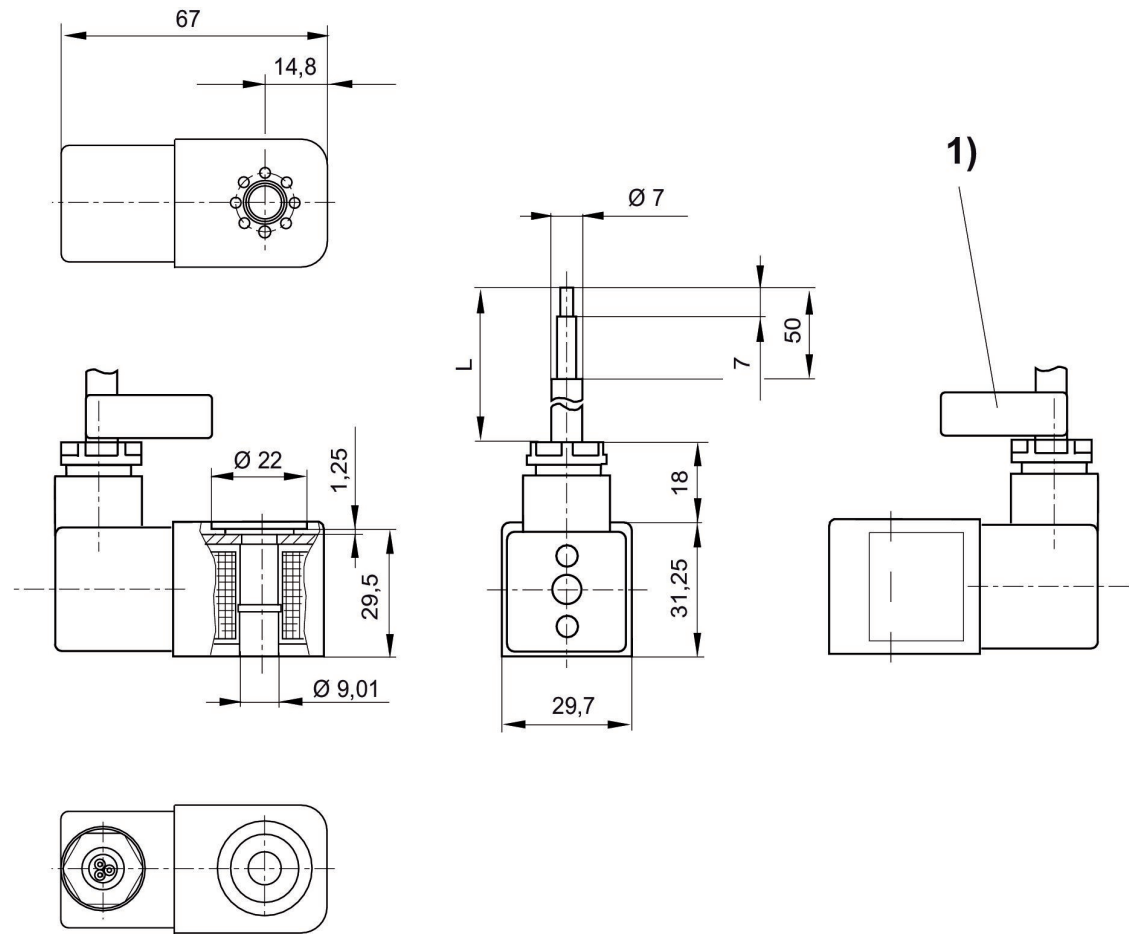
**Coil, Series CO1**

ATEX



Operational voltage	Operational voltage AC at 50 Hz	Operational voltage AC at 60 Hz	Voltage tolerance DC	Voltage tolerance AC 50 Hz	Power consumption DC [W]	Holding power AC 50 Hz [VA]	Switch-on power AC 50 Hz [VA]	Cable length [m]	Compatibility index	Part No.
	230 V	230 V		-10% / +10%		3	3.1	3	14	1827414297
	230 V	230 V		-10% / +10%		3	3.1	10	14	1827414298
	110 V	110 V		-10% / +10%		2.9	3	3	14	1827414299
	24 V	24 V		-10% / +10%		2.9	3	3	14	1827414301
24 V			-10% / +10%		3.25			3	14	1827414303
24 V			-10% / +10%		3.25			10	14	1827414304

Dimensions



L = cable length  
1) Cable ID band with serial number

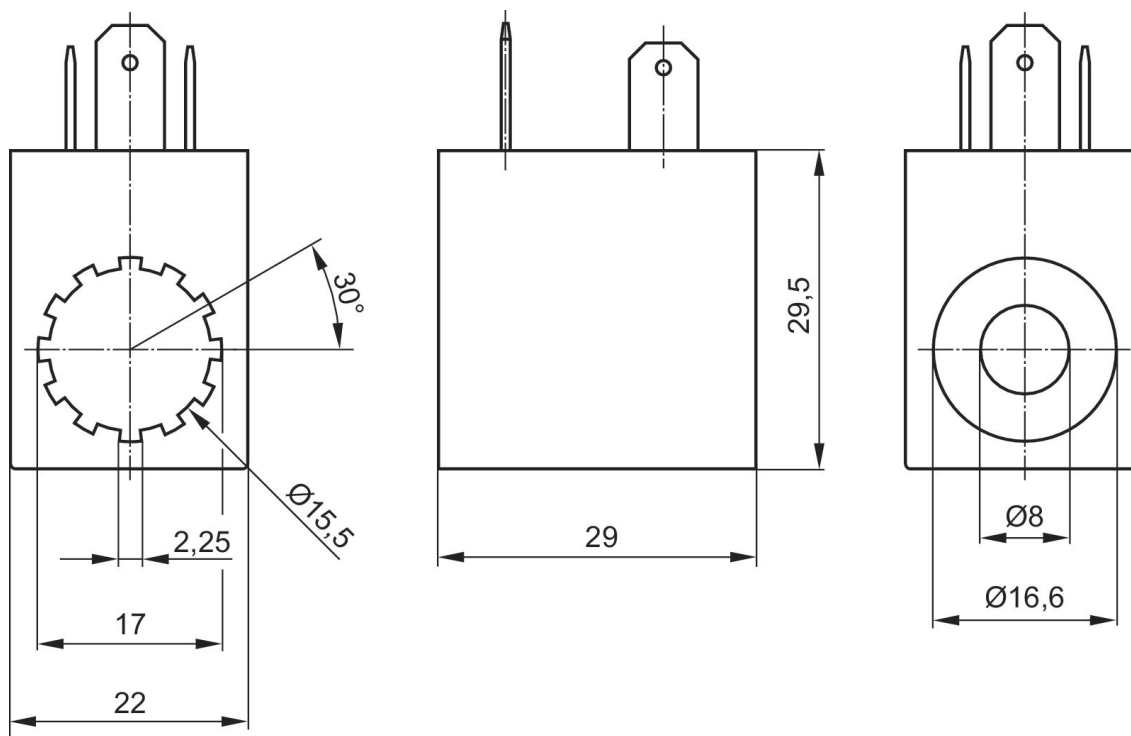
**Coil, Series CO1**

Plug  
Form B, industry



Operational voltage	Operational voltage AC at 50 Hz	Voltage tolerance DC	Voltage tolerance AC 50 Hz	Power consumption DC [W]	Holding power AC 50 Hz [VA]	Switch-on power AC 50 Hz [VA]	Part No.
12 V				5			0498317405
24 V		-10% / +10%		5			0498317502
24 V		-10% / +10%		2			0498318800
48 V				5			0498317618
110 V		-10% / +10%		5			0498317707
220 V		-10% / +10%		5			0498317804
	24 V		-10% / +10%		8	10	0498316905
	48 V		-10% / +10%		8	10	0498317006
	110 V		-10% / +10%		8	10	0498317103
	230 V		-10% / +10%		8	10	0498322506

Dimensions



**Valve cover seal, Valve housing seal**

581, size 4

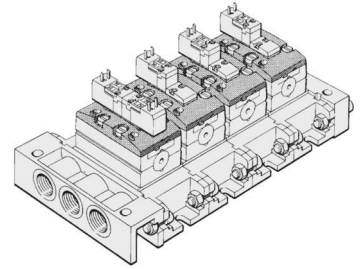


Type	Part No.
Valve cover seal, electrically operated valves	0490428402
Valve cover seal, pneumatically operated valves	0490428518
Valve cover seal, for valves with logic function	0490428607
Valve housing seal, between housing and base plate	0486704306



**valve cover, with or without pilot valve**

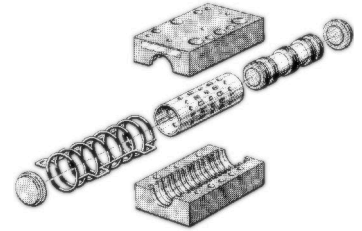
ISO 5599-1  
581, size 4



Type	Part No.
5/2-directional valve, mono-stable	5814010000
2x3/2-, 5/2-, 5/3-directional valve	5814020000
5/2-directional valve, mono-stable	5814050000
2x3/2-, 5/2-, 5/3-directional valve	5814060000
all	5814080000

**valve housing, without cover**

ISO 5599-1  
581, size 4



Type	Part No.
5/2-directional valve, mono-stable	5814100000
5/2-directional valve, double solenoid	5814200000
5/2-directional valve, double solenoid, with manual override	5814300000
5/2-way solenoid valve, with differential piston	5814600000
5/3-directional valve, closed center	5814400000
5/3-directional valve, exhausted center	5814500000
5/3-directional valve, pressurized center	5814700000

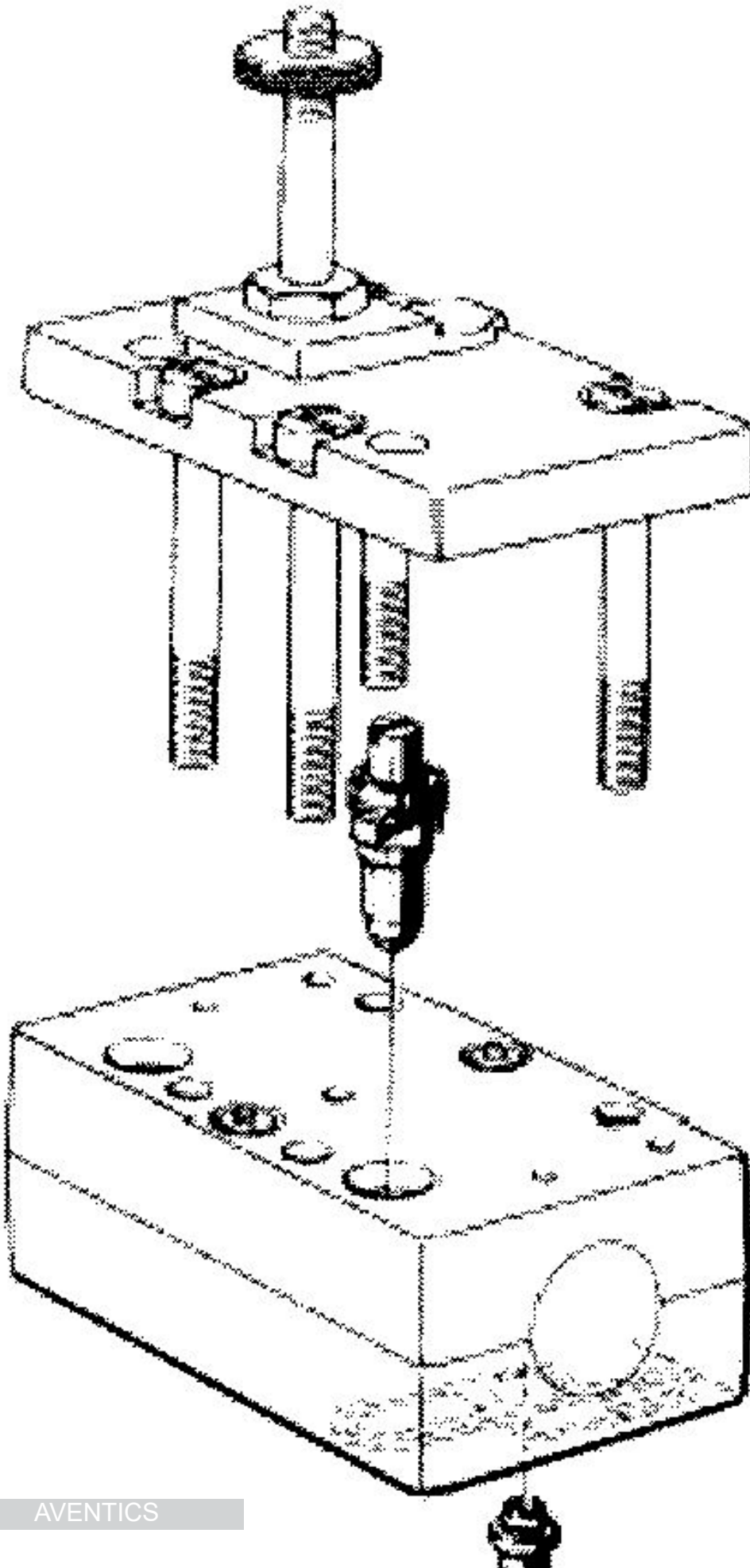
**throttle insert for flow control in 3/5**

581, size 4



Part No.
5814001000

Dimensions





# Efficient pneumatic solutions, our program: cylinders and drives, valves and valve systems, air supply management



Visit us: [Emerson.com/Aventics](https://www.emerson.com/aventics)

Your local contact: [Emerson.com/contactus](https://www.emerson.com/contactus)



[Emerson.com](https://www.emerson.com)



[Facebook.com/EmersonAutomationSolutions](https://www.facebook.com/EmersonAutomationSolutions)



[LinkedIn.com/company/Emerson-Automation-Solutions](https://www.linkedin.com/company/Emerson-Automation-Solutions)



[Twitter.com/EMR\\_Automation](https://twitter.com/EMR_Automation)

An example configuration is depicted on the title page. The delivered product may thus vary from that in the illustration. Subject to change. This Document, as well as the data, specifications and other information set forth in it, are the exclusive property of AVENTICS GmbH. It may not be reproduced or given to third parties without its consent. Only use the AVENTICS products shown in industrial applications. Read the product documentation completely and carefully before using the product. Observe the applicable regulations and laws of the respective country. When integrating the product into applications, note the system manufacturer's specifications for safe use of the product. The data specified only serve to describe the product. No statements concerning a certain condition or suitability for a certain application can be derived from our information. The information given does not release the user from the obligation of own judgment and verification. It must be remembered that the products are subject to a natural process of wear and aging.

The Emerson logo is a trademark and service mark of Emerson Electric Co. Brand logotype are registered trademarks of one of the Emerson family of companies. All other marks are the property of their respective owners. © 2019 Emerson Electric Co. All rights reserved.



**CONSIDER IT SOLVED™**