

## Series 581, size 2



**AVENTICS™**

**AVENTICS Series 581 - Size 2**  
**Standardized valves**

  
**EMERSON™**

## **Series 581, size 2**

The AVENTICS Series 581 complies with the valve standard ISO 5599-1. Due to the level of modularity, the Series offers all valve functions, integrated throttle valves, various pilot coils, and a comprehensive range of accessories.

- Standardized valve system
- ISO size 1 to 4 available
- Robust design
- Numerous voltage ranges
- Pressure range up to 16 bar possible
- CNOMO interface
- Small dimensions
- Fast shifting times
- Easy and flexible custom specific configurations via online configurator



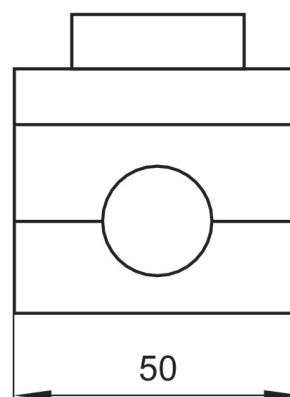
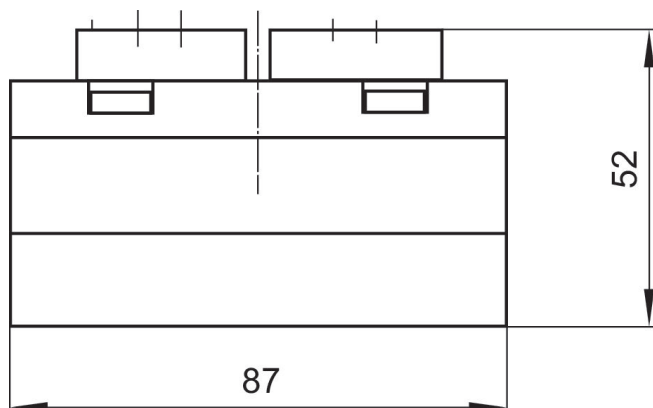
**5/2-directional valve, Series 581, size 2**

2700 l/min  
ISO 5599-1  
Base plate connection  
Electrically  
Basic valve without pilot valve  
Base plate ISO 5599-1  
Base plate ISO 5599-1



| Min. working pressure [bar] | Max. working pressure [bar] | Pilot              | Part No.   |
|-----------------------------|-----------------------------|--------------------|------------|
| -0.95                       | 16                          | External, Internal | 5812680100 |

Dimensions

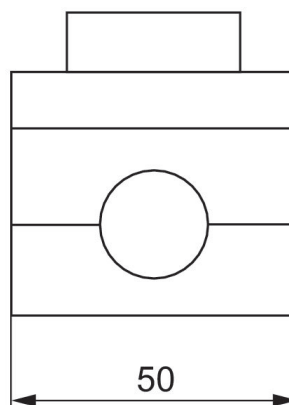
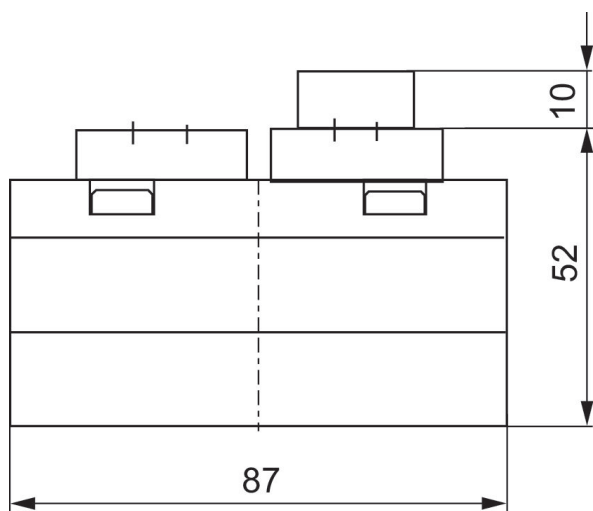


**5/2-directional valve, Series 581, size 2**

2700 l/min  
Single Solenoid  
ISO 5599-1  
Base plate connection  
Electrically  
Basic valve without pilot valve  
Base plate ISO 5599-1  
Base plate ISO 5599-1



| Min. working pressure [bar] | Max. working pressure [bar] | Pilot              | Part No.   |
|-----------------------------|-----------------------------|--------------------|------------|
| -0.95                       | 10                          | External, Internal | 5812180080 |

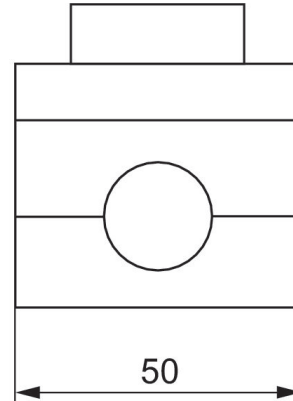
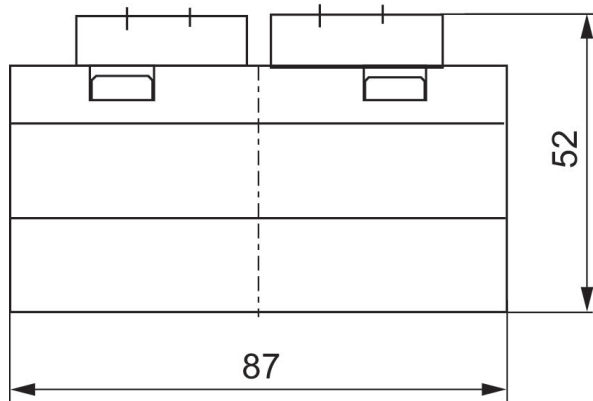


**5/2-directional valve, Series 581, size 2**

2700 l/min  
 Double Solenoid  
 ISO 5599-1  
 Base plate connection  
 Electrically  
 Basic valve without pilot valve  
 Base plate ISO 5599-1  
 Base plate ISO 5599-1



| Min. working pressure [bar] | Max. working pressure [bar] | Pilot              | Part No.   |
|-----------------------------|-----------------------------|--------------------|------------|
| -0.95                       | 10                          | External, Internal | 5812280080 |



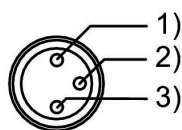
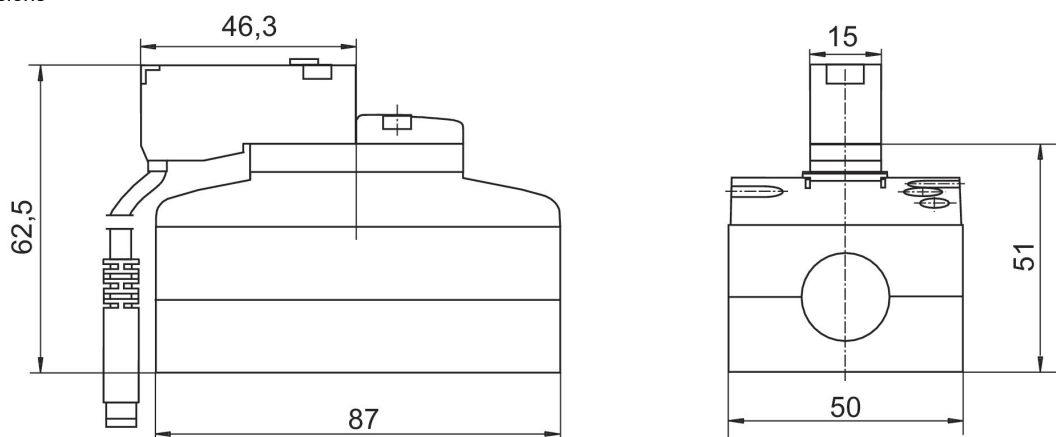
**5/2-directional valve, Series 581, size 2**

2700 l/min  
Single Solenoid  
ISO 5599-1  
Plug  
Base plate connection  
Electrically  
3-pin  
Base plate ISO 5599-1  
Base plate ISO 5599-1



| Min. working pressure [bar] | Max. working pressure [bar] | Operational voltage | Voltage tolerance DC | Power consumption DC [W] | Pilot    | Throttle      | Manual override | Part No.   |
|-----------------------------|-----------------------------|---------------------|----------------------|--------------------------|----------|---------------|-----------------|------------|
| 3                           | 10                          | 24 V                | -10% / +10%          | 2.2                      | Internal |               | without detent  | 5812150160 |
| 3                           | 10                          | 24 V                | -10% / +10%          | 2.2                      | Internal | with throttle | without detent  | 5812151160 |
| -0.95                       | 10                          | 24 V                | -10% / +10%          | 2.2                      | External |               | without detent  | 5812152160 |
| -0.95                       | 10                          | 24 V                | -10% / +10%          | 2.2                      | External | with throttle | without detent  | 5812153160 |

Dimensions



Pin assignment 1) brown (+24 V) 2) green/yellow (ground) 3) blue (0 V)

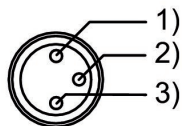
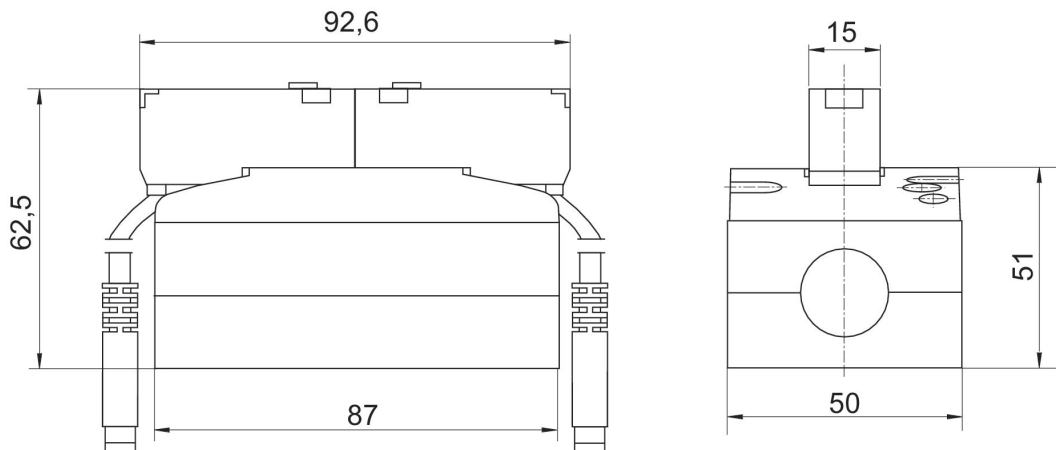
**5/2-directional valve, Series 581, size 2**

2700 l/min  
Double Solenoid  
ISO 5599-1  
Plug  
Base plate connection  
Electrically  
3-pin  
Base plate ISO 5599-1  
Base plate ISO 5599-1



| Min. working pressure [bar] | Max. working pressure [bar] | Operational voltage | Voltage tolerance DC | Power consumption DC [W] | Pilot    | Throttle      | Manual override | Part No.   |
|-----------------------------|-----------------------------|---------------------|----------------------|--------------------------|----------|---------------|-----------------|------------|
| 1.5                         | 10                          | 24 V                | -10% / +10%          | 2.2                      | Internal |               | without detent  | 5812260160 |
| 1.5                         | 10                          | 24 V                | -10% / +10%          | 2.2                      | Internal | with throttle | without detent  | 5812261160 |
| -0.95                       | 10                          | 24 V                | -10% / +10%          | 2.2                      | External |               | without detent  | 5812262160 |
| -0.95                       | 10                          | 24 V                | -10% / +10%          | 2.2                      | External | with throttle | without detent  | 5812263160 |

Dimensions



Pin assignment 1) brown (+24 V) 2) green/yellow (ground) 3) blue (0 V)

**5/2-directional valve, Series 581, size 2**

2700 l/min  
Single Solenoid  
ISO 5599-1  
Plug  
Form B, industry  
Base plate connection  
Internal thread  
Electrically  
Base plate ISO 5599-1  
Base plate ISO 5599-1

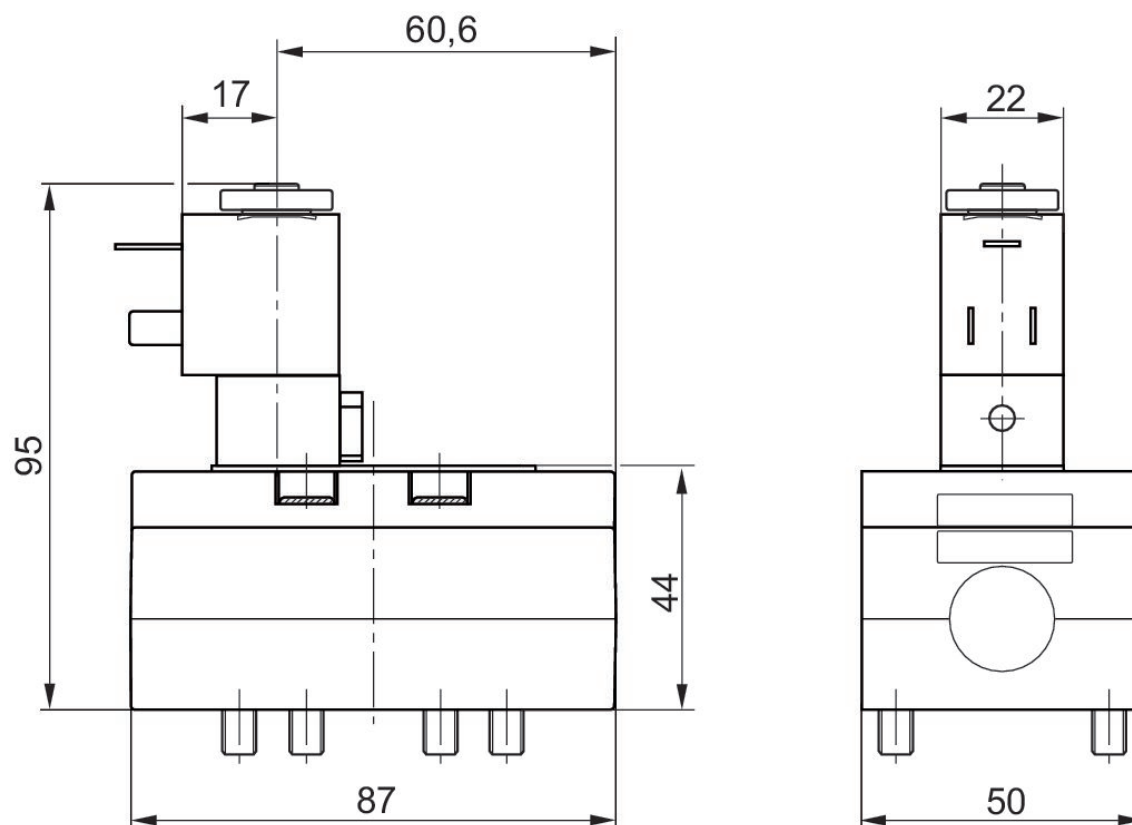


| Min. working pressure [bar] | Max. working pressure [bar] | Operational voltage | Operational voltage | Operational voltage | Voltage tolerance DC | Power consumption DC [W] | Pilot    | Throttle      | Manual override | Part No.   |
|-----------------------------|-----------------------------|---------------------|---------------------|---------------------|----------------------|--------------------------|----------|---------------|-----------------|------------|
| 3                           | 10                          | 12 V                |                     |                     | -10% / +10%          | 5                        | Internal |               | with detent     | 5812110500 |
| 3                           | 10                          |                     | 24 V                |                     |                      |                          | Internal |               | with detent     | 5812110200 |
| 3                           | 10                          | 24 V                |                     |                     | -10% / +10%          | 5                        | Internal |               | with detent     | 5812110100 |
| 3                           | 10                          | 48 V                |                     |                     | -10% / +10%          | 5                        | Internal |               | with detent     | 5812110600 |
| 3                           | 10                          |                     |                     | 110 V               |                      |                          | Internal |               | with detent     | 5812110300 |
| 3                           | 10                          |                     | 230 V               |                     |                      |                          | Internal |               | with detent     | 5812110400 |
| 3                           | 10                          |                     |                     |                     |                      |                          | Internal |               | with detent     | 5812110000 |
| 3                           | 10                          | 12 V                |                     |                     | -10% / +10%          | 5                        | Internal | with throttle | with detent     | 5812111500 |
| 3                           | 10                          |                     | 24 V                |                     |                      |                          | Internal | with throttle | with detent     | 5812111200 |
| 3                           | 10                          | 24 V                |                     |                     | -10% / +10%          | 5                        | Internal | with throttle | with detent     | 5812111100 |
| 3                           | 10                          | 48 V                |                     |                     | -10% / +10%          | 5                        | Internal | with throttle | with detent     | 5812111600 |
| 3                           | 10                          |                     |                     | 110 V               |                      |                          | Internal | with throttle | with detent     | 5812111300 |
| 3                           | 10                          |                     | 230 V               |                     |                      |                          | Internal | with throttle | with detent     | 5812111400 |
| 3                           | 10                          |                     |                     |                     |                      |                          | Internal | with throttle | with detent     | 5812111000 |
| -0.95                       | 10                          | 12 V                |                     |                     | -10% / +10%          | 5                        | External |               | with detent     | 5812112500 |
| -0.95                       | 10                          |                     | 24 V                |                     |                      |                          | External |               | with detent     | 5812112200 |
| -0.95                       | 10                          | 24 V                |                     |                     | -10% / +10%          | 5                        | External |               | with detent     | 5812112100 |
| -0.95                       | 10                          | 48 V                |                     |                     | -10% / +10%          | 5                        | External |               | with detent     | 5812112600 |
| -0.95                       | 10                          |                     |                     | 110 V               |                      |                          | External |               | with detent     | 5812112300 |
| -0.95                       | 10                          |                     | 230 V               |                     |                      |                          | External |               | with detent     | 5812112400 |
| -0.95                       | 10                          |                     |                     |                     |                      |                          | External |               | with detent     | 5812112000 |



| Min. working pressure [bar] | Max. working pressure [bar] | Operational voltage | Operational voltage | Operational voltage | Voltage tolerance DC | Power consumption DC [W] | Pilot    | Throttle      | Manual override | Part No.   |
|-----------------------------|-----------------------------|---------------------|---------------------|---------------------|----------------------|--------------------------|----------|---------------|-----------------|------------|
| -0.95                       | 10                          | 12 V                |                     |                     | -10% / +10%          | 5                        | External | with throttle | with detent     | 5812113500 |
| -0.95                       | 10                          |                     | 24 V                |                     |                      |                          | External | with throttle | with detent     | 5812113200 |
| -0.95                       | 10                          | 24 V                |                     |                     | -10% / +10%          | 5                        | External | with throttle | with detent     | 5812113100 |
| -0.95                       | 10                          | 48 V                |                     |                     | -10% / +10%          | 5                        | External | with throttle | with detent     | 5812113600 |
| -0.95                       | 10                          |                     |                     | 110 V               |                      |                          | External | with throttle | with detent     | 5812113300 |
| -0.95                       | 10                          |                     | 230 V               |                     |                      |                          | External | with throttle | with detent     | 5812113400 |
| -0.95                       | 10                          |                     |                     |                     |                      |                          | External | with throttle | with detent     | 5812113000 |

Dimensions



The pilot valves can be loosened and turned through 180°.

**5/2-directional valve, Series 581, size 2**

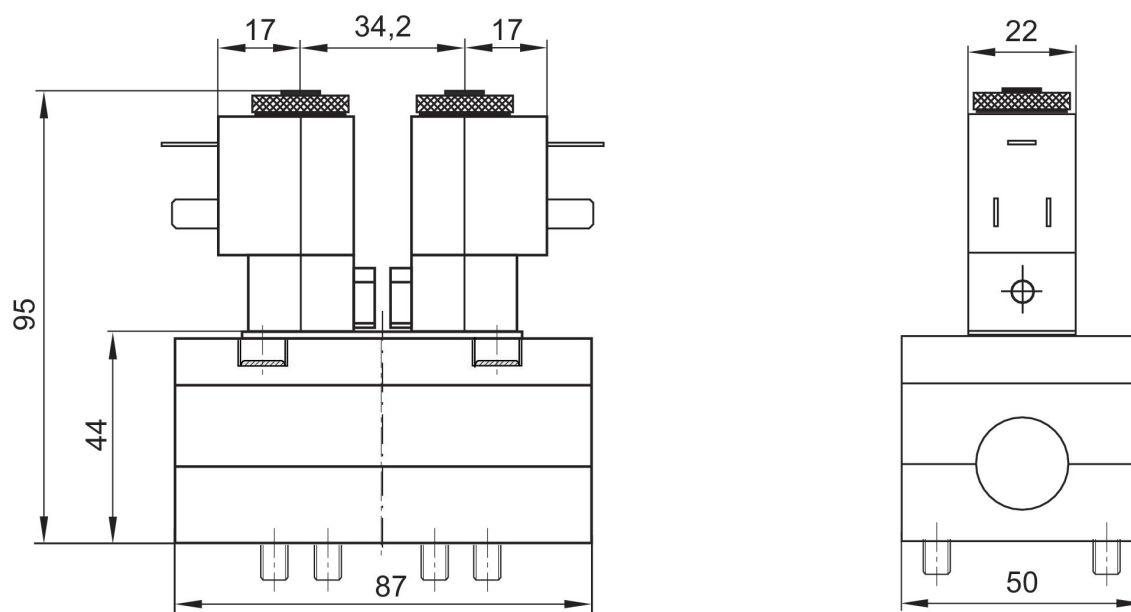
2700 l/min  
Double Solenoid  
ISO 5599-1  
Plug  
Form B, industry  
Base plate connection  
Internal thread  
Electrically  
Base plate ISO 5599-1  
Base plate ISO 5599-1



| Min. working pressure [bar] | Max. working pressure [bar] | Operational voltage | Operational voltage | Operational voltage | Voltage tolerance DC | Power consumption DC [W] | Pilot    | Throttle      | Manual override | Part No.   |
|-----------------------------|-----------------------------|---------------------|---------------------|---------------------|----------------------|--------------------------|----------|---------------|-----------------|------------|
| 1.5                         | 10                          | 12 V                |                     |                     | -10% / +10%          | 5                        | Internal |               | with detent     | 5812220500 |
| 1.5                         | 10                          |                     | 24 V                |                     |                      |                          | Internal |               | with detent     | 5812220200 |
| 1.5                         | 10                          | 24 V                |                     |                     | -10% / +10%          | 5                        | Internal |               | with detent     | 5812220100 |
| 1.5                         | 10                          | 48 V                |                     |                     | -10% / +10%          | 5                        | Internal |               | with detent     | 5812220600 |
| 1.5                         | 10                          |                     |                     | 110 V               |                      |                          | Internal |               | with detent     | 5812220300 |
| 1.5                         | 10                          |                     | 230 V               |                     |                      |                          | Internal |               | with detent     | 5812220400 |
| 1.5                         | 10                          |                     |                     |                     |                      |                          | Internal |               | with detent     | 5812220000 |
| 1.5                         | 10                          | 12 V                |                     |                     | -10% / +10%          | 5                        | Internal | with throttle | with detent     | 5812221500 |
| 1.5                         | 10                          |                     | 24 V                |                     |                      |                          | Internal | with throttle | with detent     | 5812221200 |
| 1.5                         | 10                          | 24 V                |                     |                     | -10% / +10%          | 5                        | Internal | with throttle | with detent     | 5812221100 |
| 1.5                         | 10                          | 48 V                |                     |                     | -10% / +10%          | 5                        | Internal | with throttle | with detent     | 5812221600 |
| 1.5                         | 10                          |                     |                     | 110 V               |                      |                          | Internal | with throttle | with detent     | 5812221300 |
| 1.5                         | 10                          |                     | 230 V               |                     |                      |                          | Internal | with throttle | with detent     | 5812221400 |
| 1.5                         | 10                          |                     |                     |                     |                      |                          | Internal | with throttle | with detent     | 5812221000 |
| -0.95                       | 10                          | 12 V                |                     |                     | -10% / +10%          | 5                        | External |               | with detent     | 5812222500 |
| -0.95                       | 10                          |                     | 24 V                |                     |                      |                          | External |               | with detent     | 5812222200 |
| -0.95                       | 10                          | 24 V                |                     |                     | -10% / +10%          | 5                        | External |               | with detent     | 5812222100 |
| -0.95                       | 10                          | 48 V                |                     |                     | -10% / +10%          | 5                        | External |               | with detent     | 5812222600 |
| -0.95                       | 10                          |                     |                     | 110 V               |                      |                          | External |               | with detent     | 5812222300 |
| -0.95                       | 10                          |                     | 230 V               |                     |                      |                          | External |               | with detent     | 5812222400 |
| -0.95                       | 10                          |                     |                     |                     |                      |                          | External |               | with detent     | 5812222000 |

| Min. working pressure [bar] | Max. working pressure [bar] | Operational voltage | Operational voltage | Operational voltage | Voltage tolerance DC | Power consumption DC [W] | Pilot    | Throttle      | Manual override | Part No.   |
|-----------------------------|-----------------------------|---------------------|---------------------|---------------------|----------------------|--------------------------|----------|---------------|-----------------|------------|
| -0.95                       | 10                          | 12 V                |                     |                     | -10% / +10%          | 5                        | External | with throttle | with detent     | 5812223500 |
| -0.95                       | 10                          |                     | 24 V                |                     |                      |                          | External | with throttle | with detent     | 5812223200 |
| -0.95                       | 10                          | 24 V                |                     |                     | -10% / +10%          | 5                        | External | with throttle | with detent     | 5812223100 |
| -0.95                       | 10                          | 48 V                |                     |                     | -10% / +10%          | 5                        | External | with throttle | with detent     | 5812223600 |
| -0.95                       | 10                          |                     |                     | 110 V               |                      |                          | External | with throttle | with detent     | 5812223300 |
| -0.95                       | 10                          |                     | 230 V               |                     |                      |                          | External | with throttle | with detent     | 5812223400 |
| -0.95                       | 10                          |                     |                     |                     |                      |                          | External | with throttle | with detent     | 5812223000 |

Dimensions



The pilot valves can be loosened and turned through 180°.

**5/2-directional valve, Series 581, size 2**

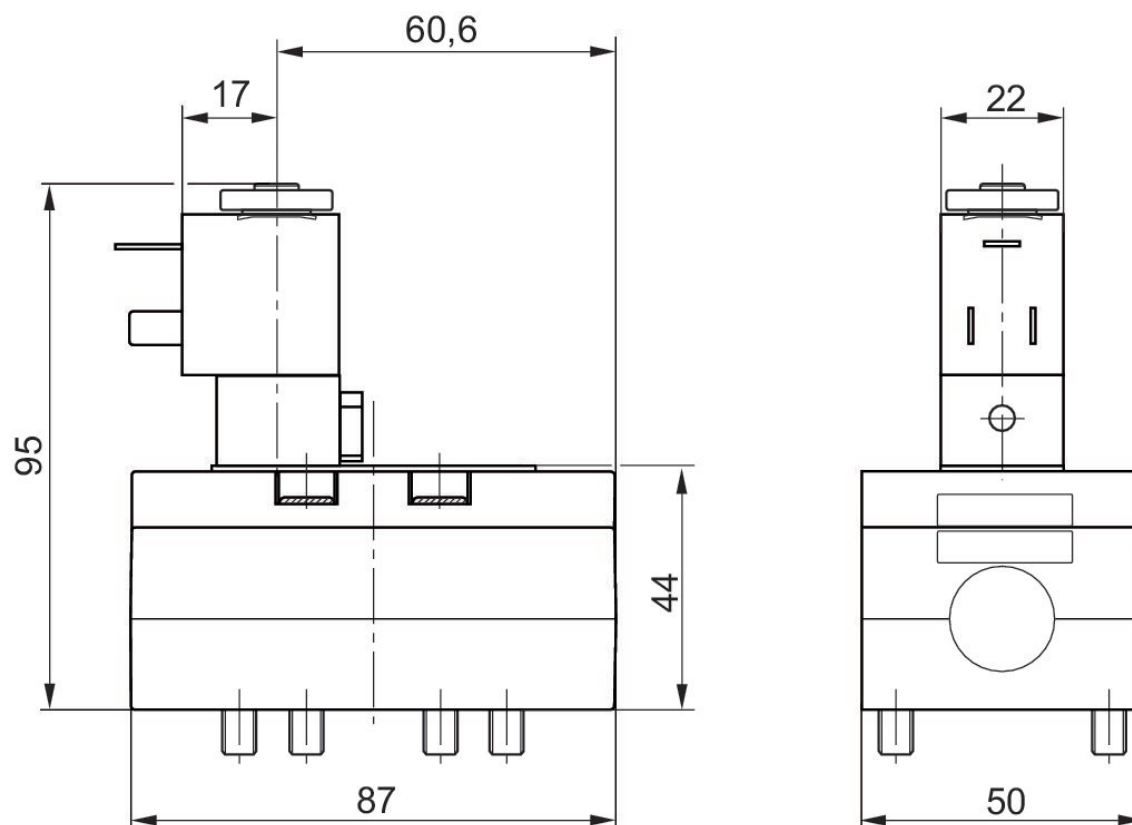
2700 l/min  
ISO 5599-1  
Plug  
Form B, industry  
Base plate connection  
Internal thread  
Electrically  
Base plate ISO 5599-1  
Base plate ISO 5599-1



| Min. working pressure [bar] | Max. working pressure [bar] | Operational voltage | Operational voltage | Operational voltage | Voltage tolerance DC | Power consumption DC [W] | Pilot    | Throttle      | Manual override | Part No.   |
|-----------------------------|-----------------------------|---------------------|---------------------|---------------------|----------------------|--------------------------|----------|---------------|-----------------|------------|
| 2.7                         | 10                          | 12 V                |                     |                     | -10% / +10%          | 5                        | Internal |               | with detent     | 5812610500 |
| 2.7                         | 10                          |                     | 24 V                |                     |                      |                          | Internal |               | with detent     | 5812610200 |
| 2.7                         | 10                          | 24 V                |                     |                     | -10% / +10%          | 5                        | Internal |               | with detent     | 5812610100 |
| 2.7                         | 10                          | 48 V                |                     |                     | -10% / +10%          | 5                        | Internal |               | with detent     | 5812610600 |
| 2.7                         | 10                          |                     |                     | 110 V               |                      |                          | Internal |               | with detent     | 5812610300 |
| 2.7                         | 10                          |                     | 230 V               |                     |                      |                          | Internal |               | with detent     | 5812610400 |
| 2.7                         | 10                          |                     |                     |                     |                      |                          | Internal |               | with detent     | 5812610000 |
| 2.7                         | 10                          | 12 V                |                     |                     | -10% / +10%          | 5                        | Internal | with throttle | with detent     | 5812611500 |
| 2.7                         | 10                          |                     | 24 V                |                     |                      |                          | Internal | with throttle | with detent     | 5812611200 |
| 2.7                         | 10                          | 24 V                |                     |                     | -10% / +10%          | 5                        | Internal | with throttle | with detent     | 5812611100 |
| 2.7                         | 10                          | 48 V                |                     |                     | -10% / +10%          | 5                        | Internal | with throttle | with detent     | 5812611600 |
| 2.7                         | 10                          |                     |                     | 110 V               |                      |                          | Internal | with throttle | with detent     | 5812611300 |
| 2.7                         | 10                          |                     | 230 V               |                     |                      |                          | Internal | with throttle | with detent     | 5812611400 |
| 2.7                         | 10                          |                     |                     |                     |                      |                          | Internal | with throttle | with detent     | 5812611000 |
| -0.95                       | 10                          | 12 V                |                     |                     | -10% / +10%          | 5                        | External |               | with detent     | 5812612500 |
| -0.95                       | 10                          |                     | 24 V                |                     |                      |                          | External |               | with detent     | 5812612200 |
| -0.95                       | 10                          | 24 V                |                     |                     | -10% / +10%          | 5                        | External |               | with detent     | 5812612100 |
| -0.95                       | 10                          | 48 V                |                     |                     | -10% / +10%          | 5                        | External |               | with detent     | 5812612600 |
| -0.95                       | 10                          |                     |                     | 110 V               |                      |                          | External |               | with detent     | 5812612300 |
| -0.95                       | 10                          |                     | 230 V               |                     |                      |                          | External |               | with detent     | 5812612400 |
| -0.95                       | 10                          |                     |                     |                     |                      |                          | External |               | with detent     | 5812612000 |

| Min. working pressure [bar] | Max. working pressure [bar] | Operational voltage | Operational voltage | Operational voltage | Voltage tolerance DC | Power consumption DC [W] | Pilot    | Throttle      | Manual override | Part No.   |
|-----------------------------|-----------------------------|---------------------|---------------------|---------------------|----------------------|--------------------------|----------|---------------|-----------------|------------|
| -0.95                       | 10                          | 12 V                |                     |                     | -10% / +10%          | 5                        | External | with throttle | with detent     | 5812613500 |
| -0.95                       | 10                          |                     | 24 V                |                     |                      |                          | External | with throttle | with detent     | 5812613200 |
| -0.95                       | 10                          | 24 V                |                     |                     | -10% / +10%          | 5                        | External | with throttle | with detent     | 5812613100 |
| -0.95                       | 10                          | 48 V                |                     |                     | -10% / +10%          | 5                        | External | with throttle | with detent     | 5812613600 |
| -0.95                       | 10                          |                     |                     | 110 V               |                      |                          | External | with throttle | with detent     | 5812613300 |
| -0.95                       | 10                          |                     | 230 V               |                     |                      |                          | External | with throttle | with detent     | 5812613400 |
| -0.95                       | 10                          |                     |                     |                     |                      |                          | External | with throttle | with detent     | 5812613000 |

Dimensions



The pilot valves can be loosened and turned through 180°.

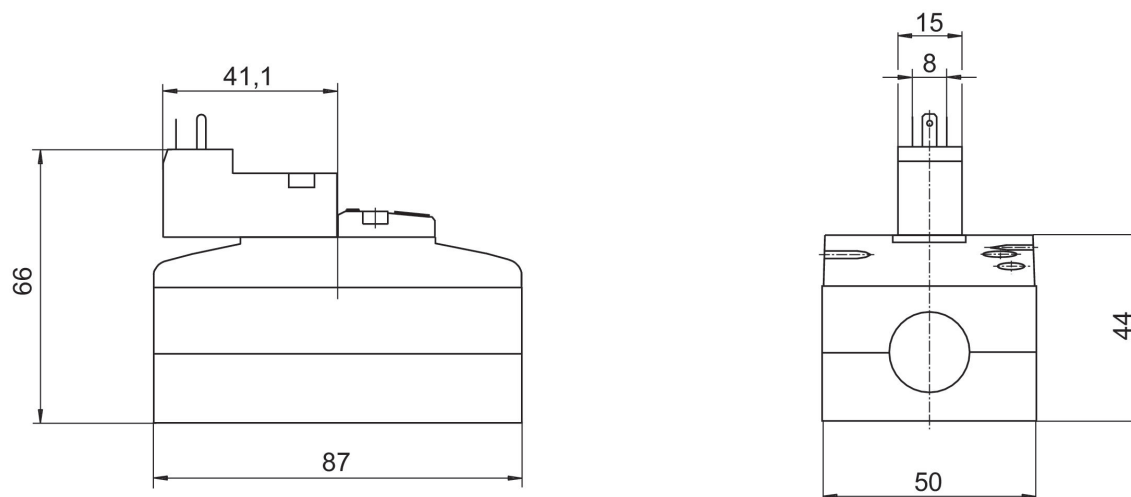
**5/2-directional valve, Series 581, size 2**

2700 l/min  
Single Solenoid  
ISO 5599-1  
Plug  
ISO 15217, form C  
Base plate connection  
Electrically  
Base plate ISO 5599-1  
Base plate ISO 5599-1



| Min. working pressure [bar] | Max. working pressure [bar] | Operational voltage | Voltage tolerance DC | Power consumption DC [W] | Pilot    | Throttle      | Manual override | Part No.   |
|-----------------------------|-----------------------------|---------------------|----------------------|--------------------------|----------|---------------|-----------------|------------|
| 3                           | 10                          | 24 V                | -10% / +10%          | 2                        | Internal |               | without detent  | 5812150130 |
| 3                           | 10                          | 24 V                | -10% / +10%          | 2                        | Internal | with throttle | without detent  | 5812151130 |
| -0.95                       | 10                          | 24 V                | -10% / +10%          | 2                        | External |               | without detent  | 5812152130 |
| -0.95                       | 10                          | 24 V                | -10% / +10%          | 2                        | External | with throttle | without detent  | 5812153130 |

Dimensions



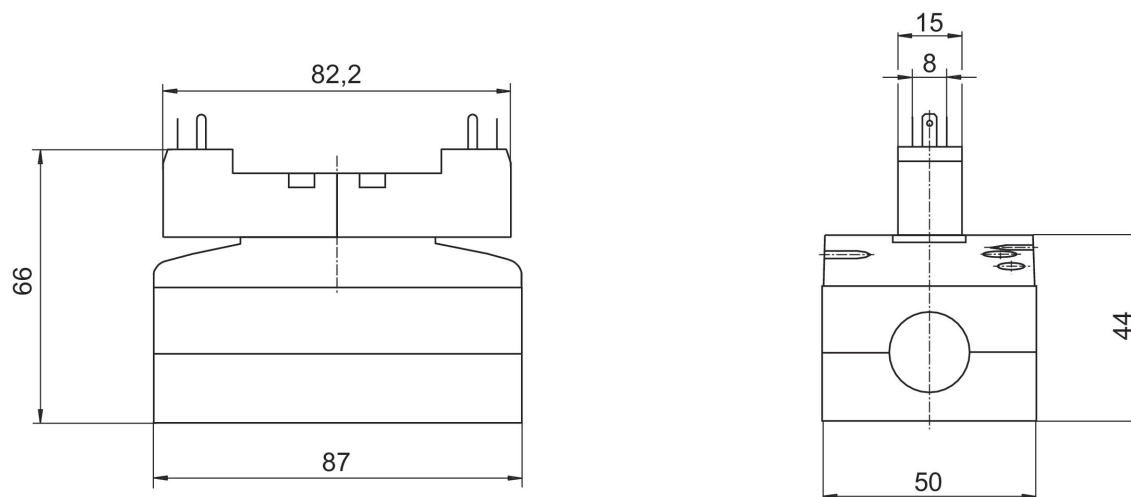
**5/2-directional valve, Series 581, size 2**

2700 l/min  
Double Solenoid  
ISO 5599-1  
Plug  
ISO 15217, form C  
Base plate connection  
Electrically  
Base plate ISO 5599-1  
Base plate ISO 5599-1



| Min. working pressure [bar] | Max. working pressure [bar] | Operational voltage | Voltage tolerance DC | Power consumption DC [W] | Pilot    | Throttle      | Manual override | Part No.   |
|-----------------------------|-----------------------------|---------------------|----------------------|--------------------------|----------|---------------|-----------------|------------|
| 1.5                         | 10                          | 24 V                | -10% / +10%          | 2                        | Internal |               | without detent  | 5812260130 |
| 1.5                         | 10                          | 24 V                | -10% / +10%          | 2                        | Internal | with throttle | without detent  | 5812261130 |
| -0.95                       | 10                          | 24 V                | -10% / +10%          | 2                        | External |               | without detent  | 5812262130 |
| -0.95                       | 10                          | 24 V                | -10% / +10%          | 2                        | External | with throttle | without detent  | 5812263130 |

Dimensions



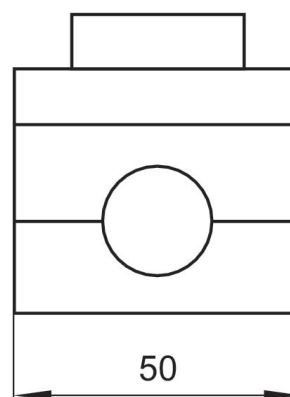
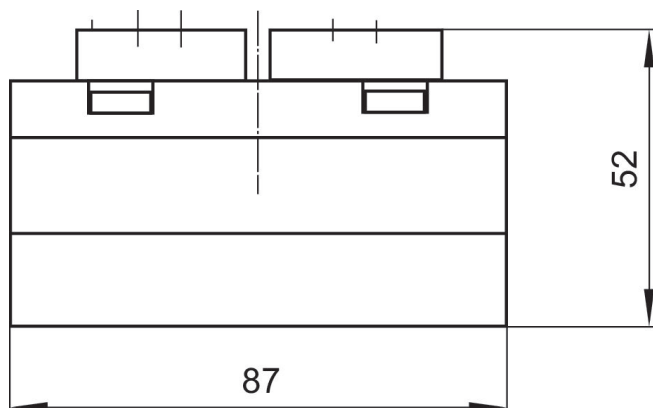
**5/2-directional valve, Series 581, size 2**

2700 l/min  
ISO 5599-1  
Base plate connection  
Electrically  
Basic valve without pilot valve  
Base plate ISO 5599-1  
Base plate ISO 5599-1



| Min. working pressure [bar] | Max. working pressure [bar] | Pilot              | Part No.   |
|-----------------------------|-----------------------------|--------------------|------------|
| -0.95                       | 16                          | External, Internal | 5812680100 |

Dimensions



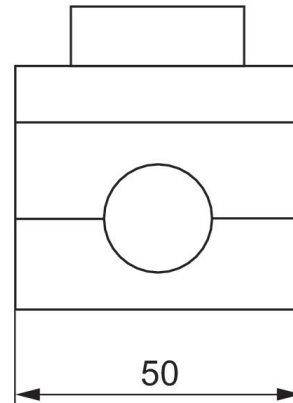
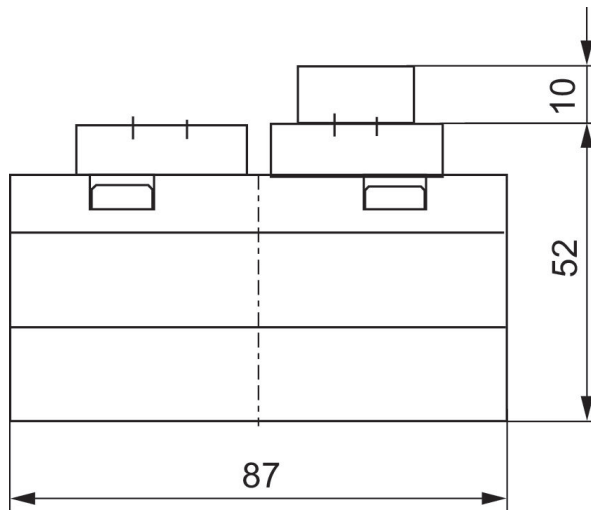


**5/2-directional valve, Series 581, size 2**

2700 l/min  
ISO 5599-1  
Base plate connection  
Electrically  
Basic valve without pilot valve  
Base plate ISO 5599-1  
Base plate ISO 5599-1



| Min. working pressure [bar] | Max. working pressure [bar] | Pilot              | Part No.   |
|-----------------------------|-----------------------------|--------------------|------------|
| -0.95                       | 10                          | External, Internal | 5812680080 |



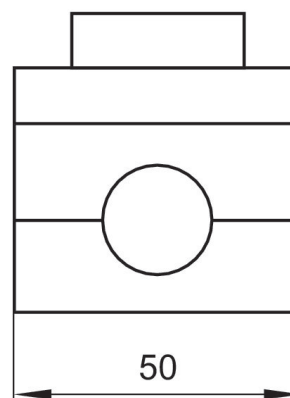
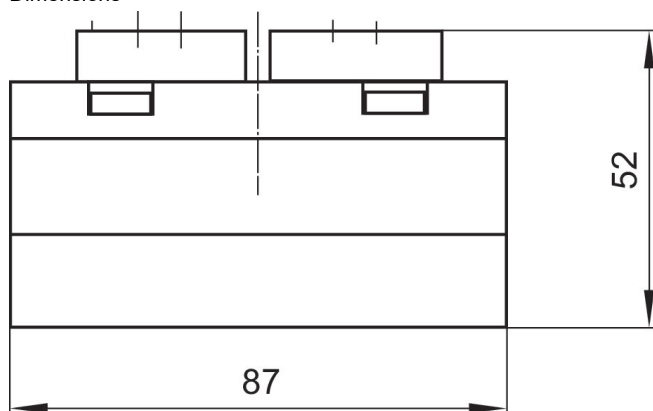
**5/2-directional valve, Series 581, size 2**

2700 l/min  
Single Solenoid  
ISO 5599-1  
Base plate connection  
Electrically  
Basic valve without pilot valve  
Base plate ISO 5599-1  
Base plate ISO 5599-1



| Min. working pressure [bar] | Max. working pressure [bar] | Pilot              | Throttle      | Part No.   |
|-----------------------------|-----------------------------|--------------------|---------------|------------|
| -0.95                       | 16                          | External, Internal |               | 5812180000 |
| -0.95                       | 16                          | External, Internal | with throttle | 5812181000 |

Dimensions



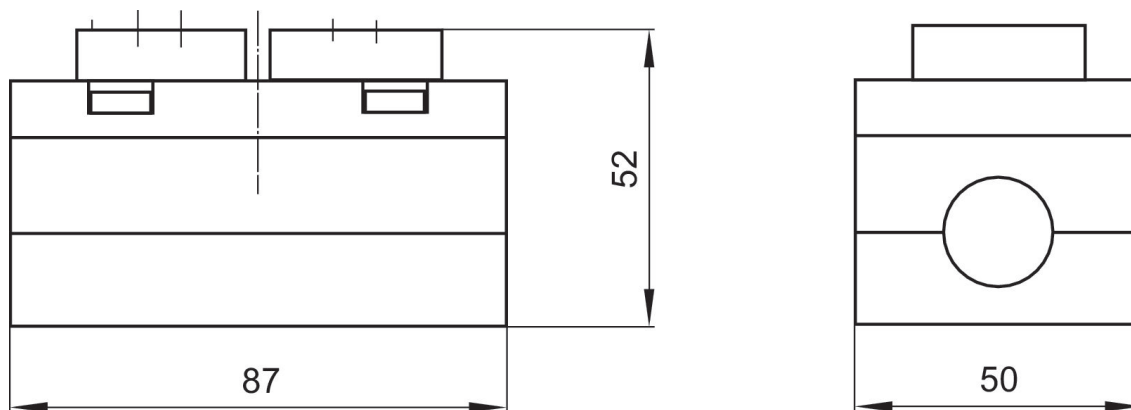
**5/2-directional valve, Series 581, size 2**

2700 l/min  
 Double Solenoid  
 ISO 5599-1  
 Base plate connection  
 Electrically  
 Basic valve without pilot valve  
 Base plate ISO 5599-1  
 Base plate ISO 5599-1



| Min. working pressure [bar] | Max. working pressure [bar] | Pilot              | Part No.   |
|-----------------------------|-----------------------------|--------------------|------------|
| -0.95                       | 16                          | External, Internal | 5812280100 |

Dimensions



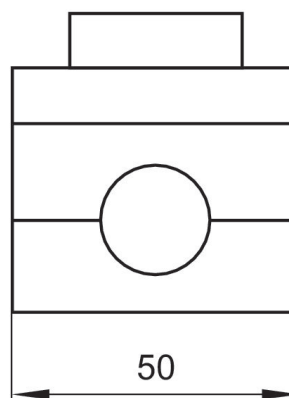
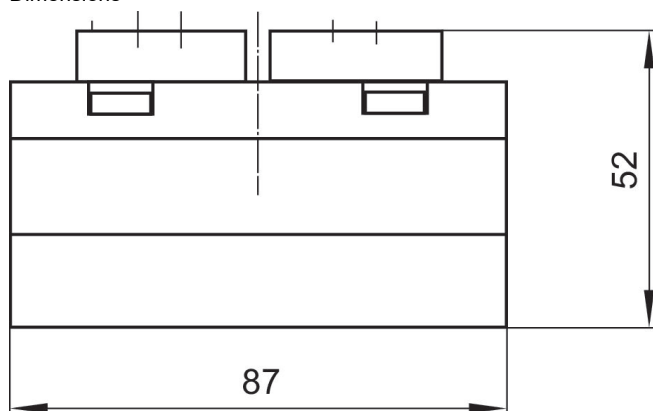
**5/2-directional valve, Series 581, size 2**

2700 l/min  
Double Solenoid  
ISO 5599-1  
Base plate connection  
Electrically  
Basic valve without pilot valve  
Base plate ISO 5599-1  
Base plate ISO 5599-1



| Min. working pressure [bar] | Max. working pressure [bar] | Pilot              | Throttle      | Part No.   |
|-----------------------------|-----------------------------|--------------------|---------------|------------|
| -0.95                       | 16                          | External, Internal |               | 5812280000 |
| -0.95                       | 16                          | External, Internal | with throttle | 5812281000 |

Dimensions



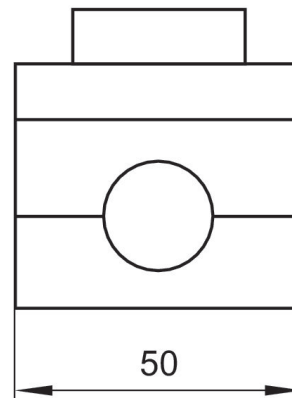
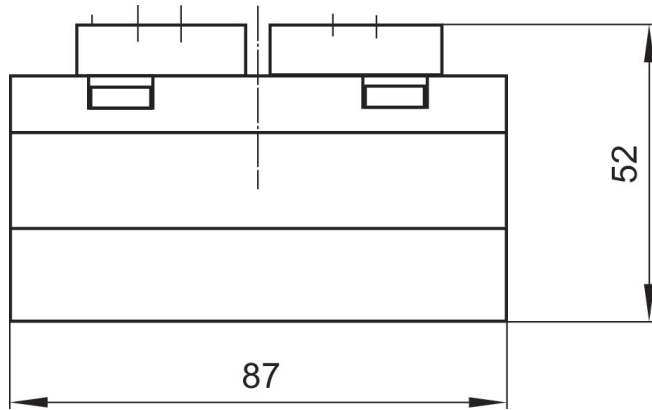
**5/2-directional valve, Series 581, size 2**

2700 l/min  
ISO 5599-1  
Base plate connection  
Electrically  
Basic valve without pilot valve  
Base plate ISO 5599-1  
Base plate ISO 5599-1



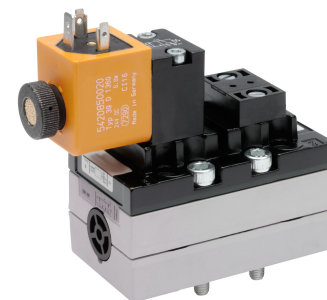
| Min. working pressure [bar] | Max. working pressure [bar] | Pilot              | Throttle      | Part No.   |
|-----------------------------|-----------------------------|--------------------|---------------|------------|
| -0.95                       | 16                          | External, Internal |               | 5812680000 |
| -0.95                       | 16                          | External, Internal | with throttle | 5812681000 |

Dimensions



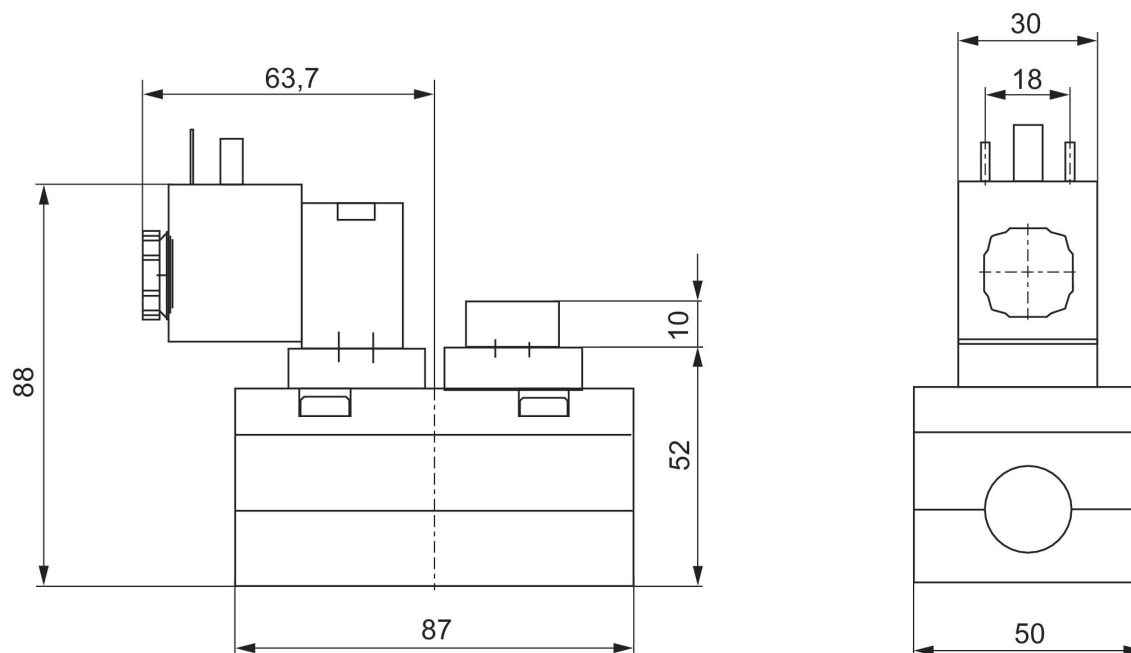
**5/2-directional valve, Series 581, size 2**

2700 l/min  
ISO 5599-1  
Plug  
EN 175301-803, form A  
Base plate connection  
Internal thread  
Electrically  
Base plate ISO 5599-1  
Base plate ISO 5599-1



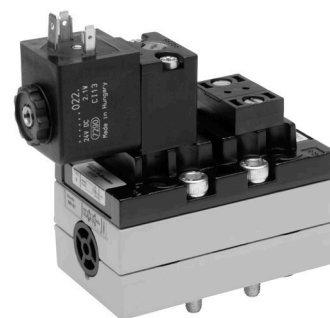
| Min. working pressure [bar] | Max. working pressure [bar] | Operational voltage | Operational voltage | Voltage tolerance DC | Power consumption DC [W] | Pilot    | Throttle      | Manual override | Part No.   |
|-----------------------------|-----------------------------|---------------------|---------------------|----------------------|--------------------------|----------|---------------|-----------------|------------|
| 2.7                         | 16                          | 24 V                |                     | -10% / +10%          | 6.7                      | Internal |               | without         | 5812670530 |
| 2.7                         | 16                          |                     | 230 V               |                      |                          | Internal |               | without         | 5812670430 |
| 2.7                         | 16                          | 24 V                |                     | -10% / +10%          | 6.7                      | Internal | with throttle | without         | 5812671530 |
| 2.7                         | 16                          |                     | 230 V               |                      |                          | Internal | with throttle | without         | 5812671430 |
| -0.95                       | 16                          | 24 V                |                     | -10% / +10%          | 6.7                      | External |               | without         | 5812672530 |
| -0.95                       | 16                          |                     | 230 V               |                      |                          | External |               | without         | 5812672430 |
| -0.95                       | 16                          | 24 V                |                     | -10% / +10%          | 6.7                      | External | with throttle | without         | 5812673530 |
| -0.95                       | 16                          |                     | 230 V               |                      |                          | External | with throttle | without         | 5812673430 |

Dimensions



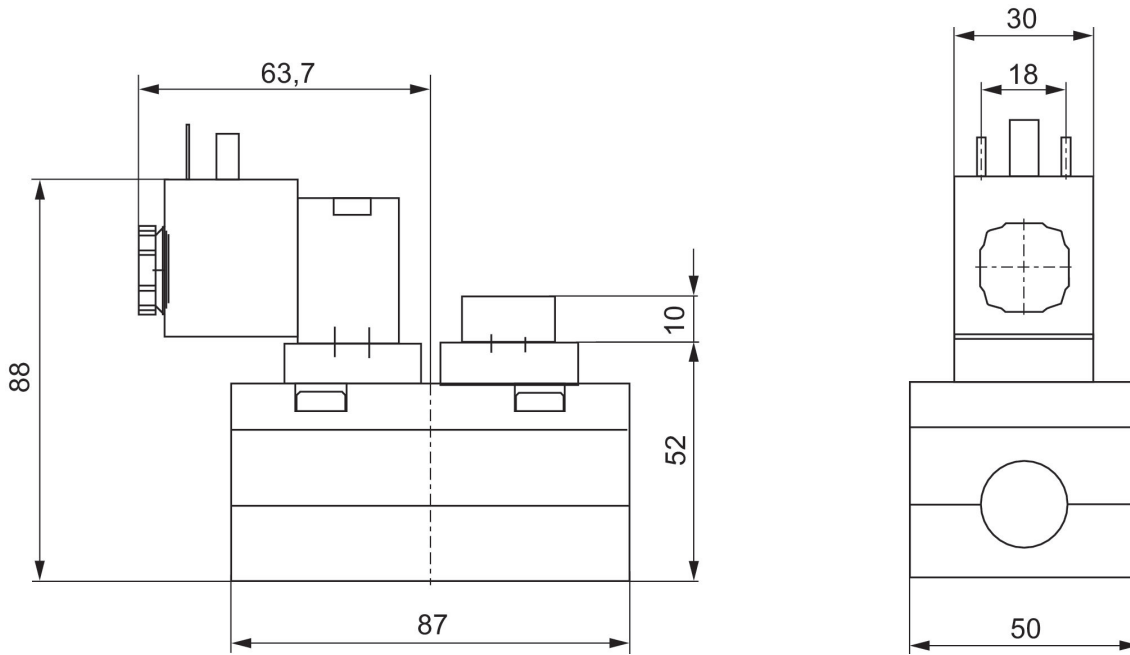
**5/2-directional valve, Series 581, size 2**

2700 l/min  
Single Solenoid  
ISO 5599-1  
Plug  
EN 175301-803, form A  
Base plate connection  
Internal thread  
Electrically  
Base plate ISO 5599-1  
Base plate ISO 5599-1



| Min. working pressure [bar] | Max. working pressure [bar] | Operational voltage | Operational voltage | Voltage tolerance DC | Power consumption DC [W] | Pilot    | Throttle      | Manual override             | Compatibility index | Part No.   |
|-----------------------------|-----------------------------|---------------------|---------------------|----------------------|--------------------------|----------|---------------|-----------------------------|---------------------|------------|
| 3                           | 10                          | 24 V                |                     | -10% / +10%          | 2                        | Internal |               | with detent, without detent | 14                  | 5812170650 |
| 3                           | 10                          |                     | 230 V               |                      |                          | Internal |               | with detent, without detent | 14                  | 5812170450 |
| 3                           | 10                          | 24 V                |                     | -10% / +10%          | 2                        | Internal | with throttle | with detent, without detent | 14                  | 5812171650 |
| 3                           | 10                          |                     | 230 V               |                      |                          | Internal | with throttle | with detent, without detent | 14                  | 5812171450 |
| -0.95                       | 10                          | 24 V                |                     | -10% / +10%          | 2                        | External |               | with detent, without detent | 14                  | 5812172650 |
| -0.95                       | 10                          |                     | 230 V               |                      |                          | External |               | with detent, without detent | 14                  | 5812172450 |
| -0.95                       | 10                          | 24 V                |                     | -10% / +10%          | 2                        | External | with throttle | with detent, without detent | 14                  | 5812173650 |
| -0.95                       | 10                          |                     | 230 V               |                      |                          | External | with throttle | with detent, without detent | 14                  | 5812173450 |

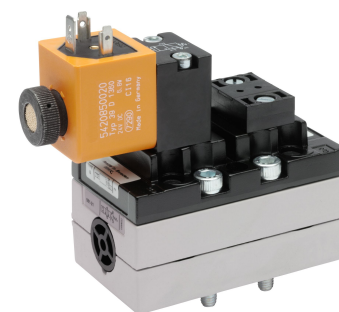
Dimensions





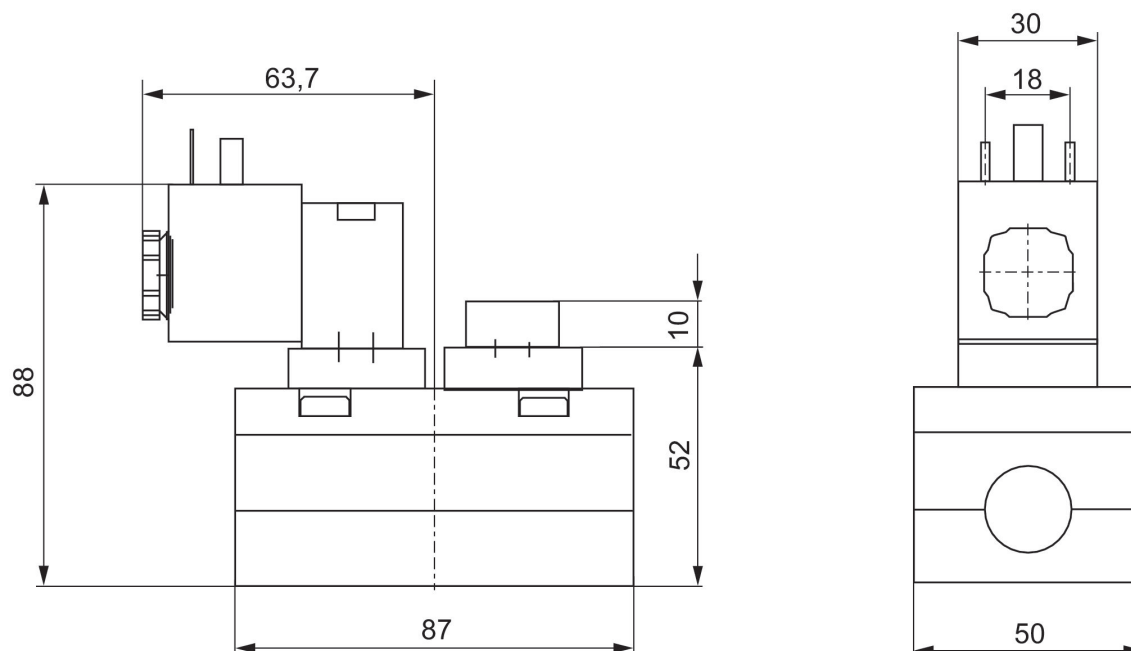
**5/2-directional valve, Series 581, size 2**

2700 l/min  
Single Solenoid  
ISO 5599-1  
Plug  
EN 175301-803, form A  
Base plate connection  
Internal thread  
Electrically  
Base plate ISO 5599-1  
Base plate ISO 5599-1



| Min. working pressure [bar] | Max. working pressure [bar] | Operational voltage | Operational voltage | Voltage tolerance DC | Power consumption DC [W] | Pilot    | Throttle      | Manual override | Part No.   |
|-----------------------------|-----------------------------|---------------------|---------------------|----------------------|--------------------------|----------|---------------|-----------------|------------|
| 3                           | 16                          | 24 V                |                     | -10% / +10%          | 6.7                      | Internal |               | without         | 5812170530 |
| 3                           | 16                          |                     | 230 V               |                      |                          | Internal |               | without         | 5812170430 |
| 3                           | 16                          | 24 V                |                     | -10% / +10%          | 6.7                      | Internal | with throttle | without         | 5812171530 |
| 3                           | 16                          |                     | 230 V               |                      |                          | Internal | with throttle | without         | 5812171430 |
| -0.95                       | 16                          | 24 V                |                     | -10% / +10%          | 6.7                      | External |               | without         | 5812172530 |
| -0.95                       | 16                          |                     | 230 V               |                      |                          | External |               | without         | 5812172430 |
| -0.95                       | 16                          | 24 V                |                     | -10% / +10%          | 6.7                      | External | with throttle | without         | 5812173530 |
| -0.95                       | 16                          |                     | 230 V               |                      |                          | External | with throttle | without         | 5812173430 |

Dimensions



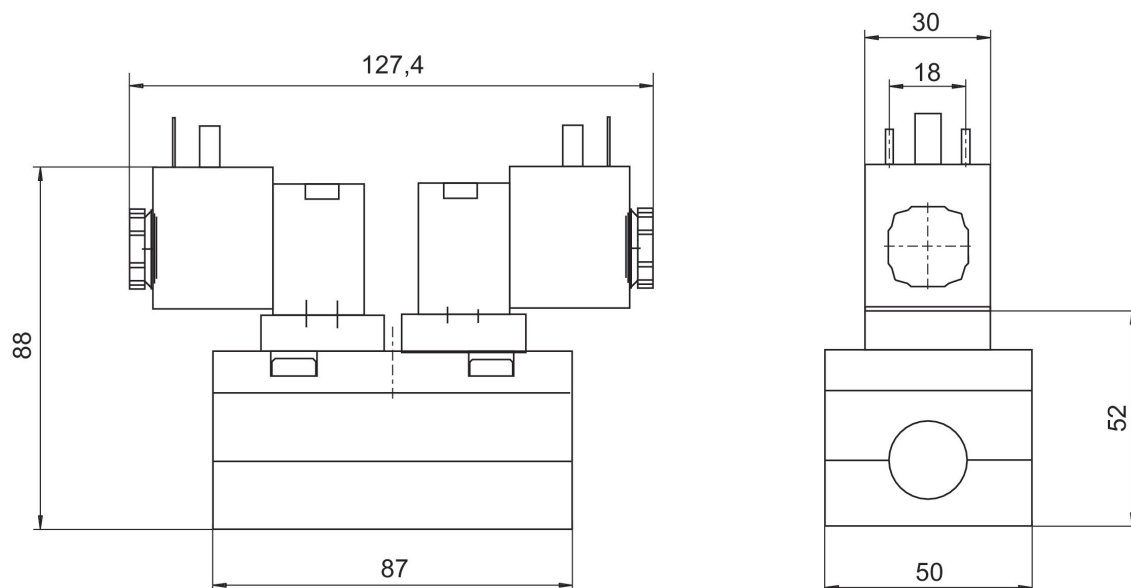
**5/2-directional valve, Series 581, size 2**

2700 l/min  
Double Solenoid  
ISO 5599-1  
Plug  
EN 175301-803, form A  
Base plate connection  
Internal thread  
Electrically  
Base plate ISO 5599-1  
Base plate ISO 5599-1



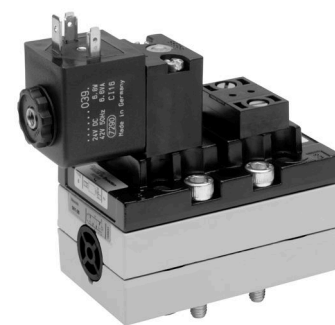
| Min. working pressure [bar] | Max. working pressure [bar] | Operational voltage | Operational voltage | Voltage tolerance DC | Power consumption DC [W] | Pilot    | Throttle      | Manual override | Part No.   |
|-----------------------------|-----------------------------|---------------------|---------------------|----------------------|--------------------------|----------|---------------|-----------------|------------|
| 1.5                         | 16                          | 24 V                | 42 V                | -10% / +10%          | 6.7                      | Internal |               | without detent  | 5812290540 |
| 1.5                         | 16                          |                     | 230 V               |                      |                          | Internal |               | without detent  | 5812290440 |
| 1.5                         | 16                          | 24 V                | 42 V                | -10% / +10%          | 6.7                      | Internal | with throttle | without detent  | 5812291540 |
| 1.5                         | 16                          |                     | 230 V               |                      |                          | Internal | with throttle | without detent  | 5812291440 |
| -0.95                       | 16                          | 24 V                | 42 V                | -10% / +10%          | 6.7                      | External |               | without detent  | 5812292540 |
| -0.95                       | 16                          |                     | 230 V               |                      |                          | External |               | without detent  | 5812292440 |
| -0.95                       | 16                          | 24 V                | 42 V                | -10% / +10%          | 6.7                      | External | with throttle | without detent  | 5812293540 |
| -0.95                       | 16                          |                     | 230 V               |                      |                          | External | with throttle | without detent  | 5812293440 |

Dimensions



**5/2-directional valve, Series 581, size 2**

2700 l/min  
ISO 5599-1  
Plug  
EN 175301-803, form A  
Base plate connection  
Internal thread  
Electrically  
Base plate ISO 5599-1  
Base plate ISO 5599-1



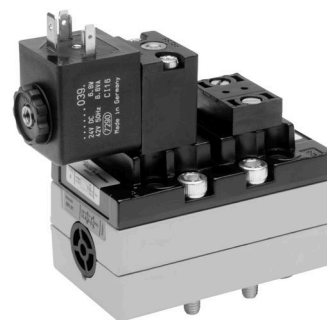
| Min. working pressure [bar] | Max. working pressure [bar] | Operational voltage | Operational voltage | Voltage tolerance DC | Power consumption DC [W] | Pilot    | Throttle      | Manual override | Part No.   |
|-----------------------------|-----------------------------|---------------------|---------------------|----------------------|--------------------------|----------|---------------|-----------------|------------|
| 2.7                         | 16                          | 24 V                | 42 V                | -10% / +10%          | 6.7                      | Internal |               | without detent  | 5812670540 |
| 2.7                         | 16                          |                     | 230 V               |                      |                          | Internal |               | without detent  | 5812670440 |
| 2.7                         | 16                          | 24 V                | 42 V                | -10% / +10%          | 6.7                      | Internal | with throttle | without detent  | 5812671540 |
| 2.7                         | 16                          |                     | 230 V               |                      |                          | Internal | with throttle | without detent  | 5812671440 |
| -0.95                       | 16                          | 24 V                | 42 V                | -10% / +10%          | 6.7                      | External |               | without detent  | 5812672540 |
| -0.95                       | 16                          |                     | 230 V               |                      |                          | External |               | without detent  | 5812672440 |
| -0.95                       | 16                          | 24 V                | 42 V                | -10% / +10%          | 6.7                      | External | with throttle | without detent  | 5812673540 |
| -0.95                       | 16                          |                     | 230 V               |                      |                          | External | with throttle | without detent  | 5812673440 |

Dimensions



**5/2-directional valve, Series 581, size 2**

2700 l/min  
Single Solenoid  
ISO 5599-1  
Plug  
EN 175301-803, form A  
Base plate connection  
Internal thread  
Electrically  
Base plate ISO 5599-1  
Base plate ISO 5599-1



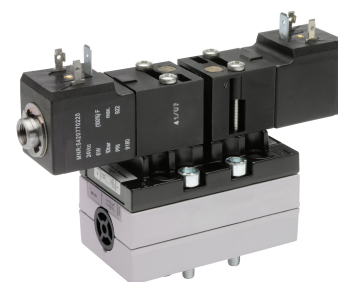
| Min. working pressure [bar] | Max. working pressure [bar] | Operational voltage | Operational voltage | Voltage tolerance DC | Power consumption DC [W] | Pilot    | Throttle      | Manual override | Part No.   |
|-----------------------------|-----------------------------|---------------------|---------------------|----------------------|--------------------------|----------|---------------|-----------------|------------|
| 3                           | 16                          | 24 V                | 42 V                | -10% / +10%          | 6.7                      | Internal |               | without detent  | 5812170540 |
| 3                           | 16                          |                     | 230 V               |                      |                          | Internal |               | without detent  | 5812170440 |
| 3                           | 16                          | 24 V                | 42 V                | -10% / +10%          | 6.7                      | Internal | with throttle | without detent  | 5812171540 |
| 3                           | 16                          |                     | 230 V               |                      |                          | Internal | with throttle | without detent  | 5812171440 |
| -0.95                       | 16                          | 24 V                | 42 V                | -10% / +10%          | 6.7                      | External |               | without detent  | 5812172540 |
| -0.95                       | 16                          |                     | 230 V               |                      |                          | External |               | without detent  | 5812172440 |
| -0.95                       | 16                          | 24 V                | 42 V                | -10% / +10%          | 6.7                      | External | with throttle | without detent  | 5812173540 |
| -0.95                       | 16                          |                     | 230 V               |                      |                          | External | with throttle | without detent  | 5812173440 |

Dimensions



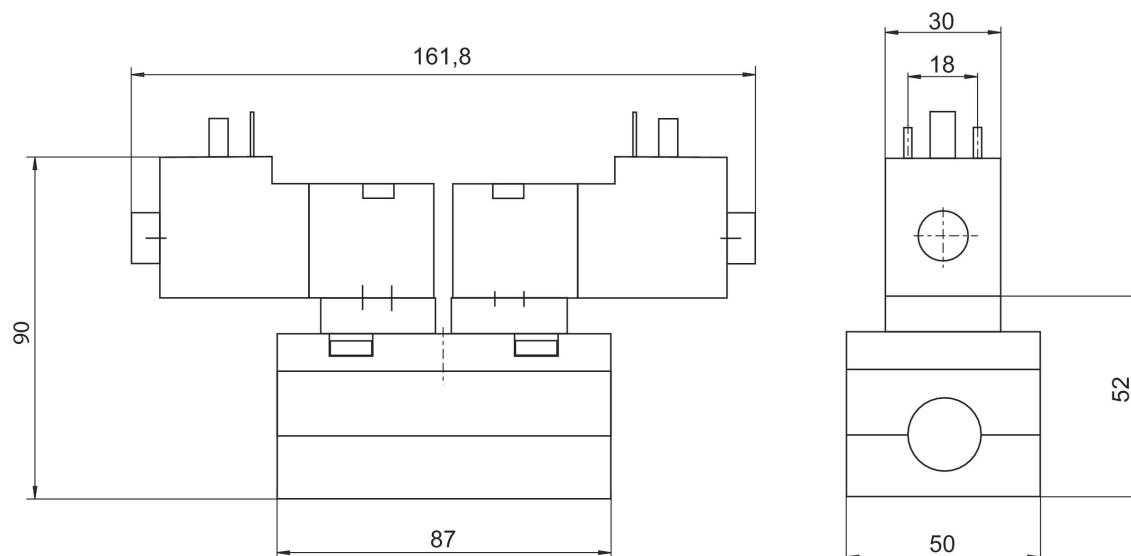
**5/2-directional valve, Series 581, size 2**

2700 l/min  
Double Solenoid  
ISO 5599-1  
Plug  
EN 175301-803, form A  
Base plate connection  
Internal thread  
Electrically  
Base plate ISO 5599-1  
Base plate ISO 5599-1



| Min. working pressure [bar] | Max. working pressure [bar] | Operational voltage | Voltage tolerance DC | Power consumption DC [W] | Pilot    | Throttle      | Manual override | Part No.   |
|-----------------------------|-----------------------------|---------------------|----------------------|--------------------------|----------|---------------|-----------------|------------|
| 1.5                         | 10                          | 24 V                | -10% / +10%          | 6                        | Internal |               | without detent  | 5812290190 |
| 1.5                         | 10                          | 24 V                | -10% / +10%          | 6                        | Internal | with throttle | without detent  | 5812291190 |
| -0.95                       | 10                          | 24 V                | -10% / +10%          | 6                        | External |               | without detent  | 5812292190 |
| -0.95                       | 10                          | 24 V                | -10% / +10%          | 6                        | External | with throttle | without detent  | 5812293190 |

Dimensions



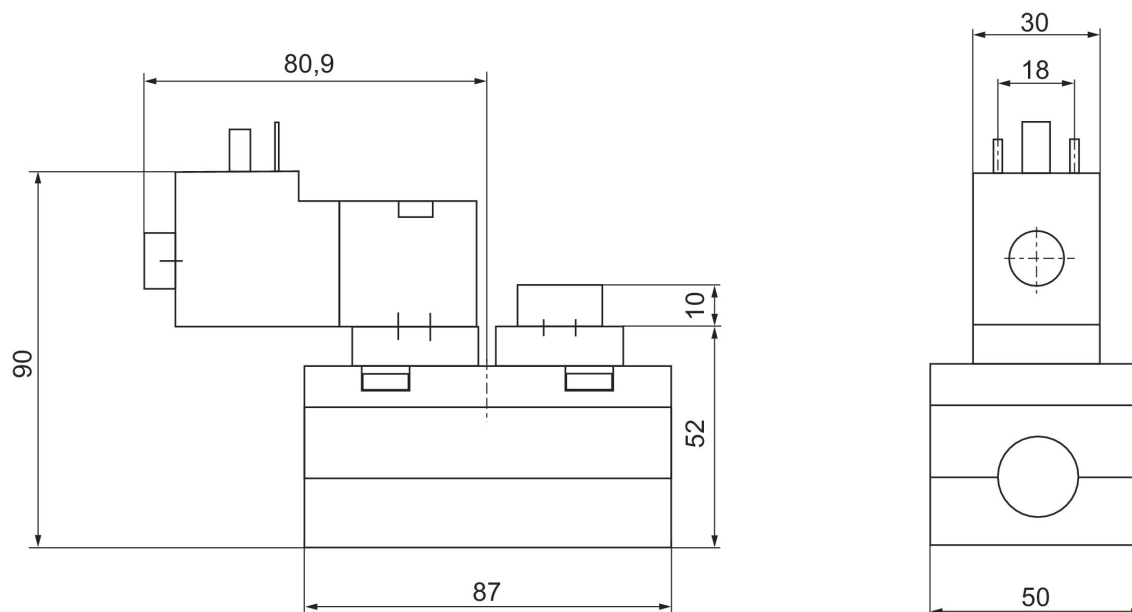
**5/2-directional valve, Series 581, size 2**

2700 l/min  
ISO 5599-1  
Plug  
EN 175301-803, form A  
Base plate connection  
Internal thread  
Electrically  
Base plate ISO 5599-1  
Base plate ISO 5599-1



| Min. working pressure [bar] | Max. working pressure [bar] | Operational voltage | Voltage tolerance DC | Power consumption DC [W] | Pilot    | Throttle      | Manual override | Part No.   |
|-----------------------------|-----------------------------|---------------------|----------------------|--------------------------|----------|---------------|-----------------|------------|
| 2.7                         | 10                          | 24 V                | -10% / +10%          | 6                        | Internal |               | without detent  | 5812670190 |
| 2.7                         | 10                          | 24 V                | -10% / +10%          | 6                        | Internal | with throttle | without detent  | 5812671190 |
| -0.95                       | 10                          | 24 V                | -10% / +10%          | 6                        | External |               | without detent  | 5812672190 |
| -0.95                       | 10                          | 24 V                | -10% / +10%          | 6                        | External | with throttle | without detent  | 5812673190 |

Dimensions



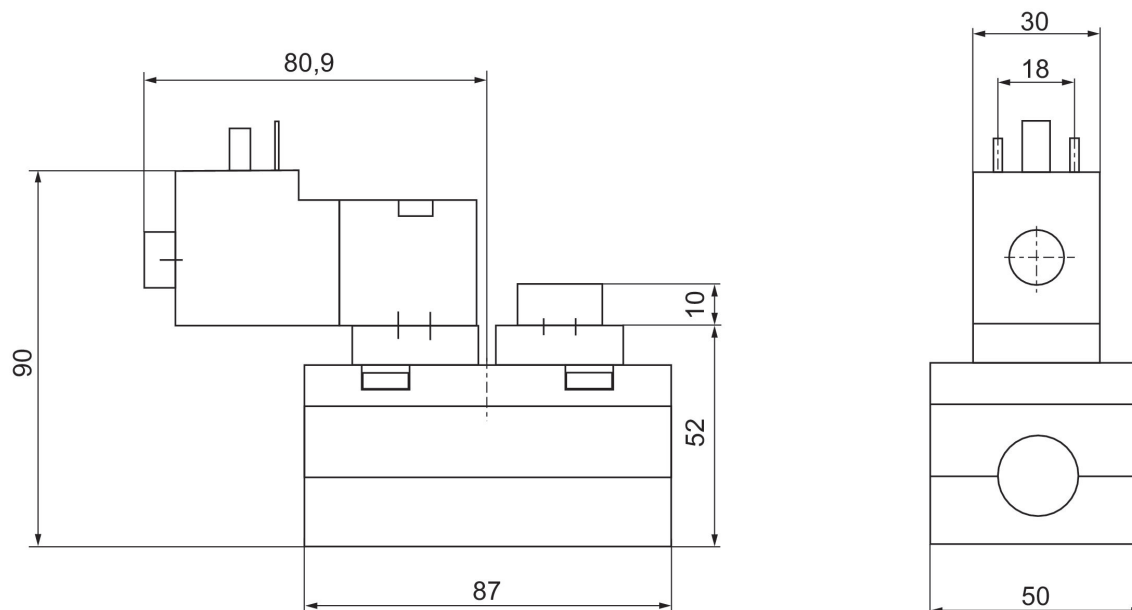
**5/2-directional valve, Series 581, size 2**

2700 l/min  
Single Solenoid  
ISO 5599-1  
Plug  
EN 175301-803, form A  
Base plate connection  
Internal thread  
Electrically  
Base plate ISO 5599-1  
Base plate ISO 5599-1



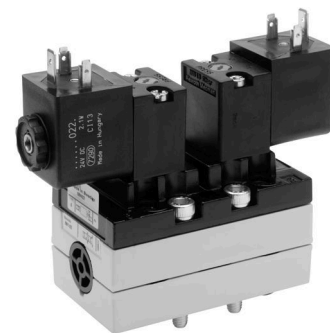
| Min. working pressure [bar] | Max. working pressure [bar] | Operational voltage | Voltage tolerance DC | Power consumption DC [W] | Pilot    | Throttle      | Manual override | Part No.   |
|-----------------------------|-----------------------------|---------------------|----------------------|--------------------------|----------|---------------|-----------------|------------|
| 3                           | 10                          | 24 V                | -10% / +10%          | 6                        | Internal |               | without detent  | 5812170190 |
| 3                           | 10                          | 24 V                | -10% / +10%          | 6                        | Internal | with throttle | without detent  | 5812171190 |
| -0.95                       | 10                          | 24 V                | -10% / +10%          | 6                        | External |               | without detent  | 5812172190 |
| -0.95                       | 10                          | 24 V                | -10% / +10%          | 6                        | External | with throttle | without detent  | 5812173190 |

Dimensions



**5/2-directional valve, Series 581, size 2**

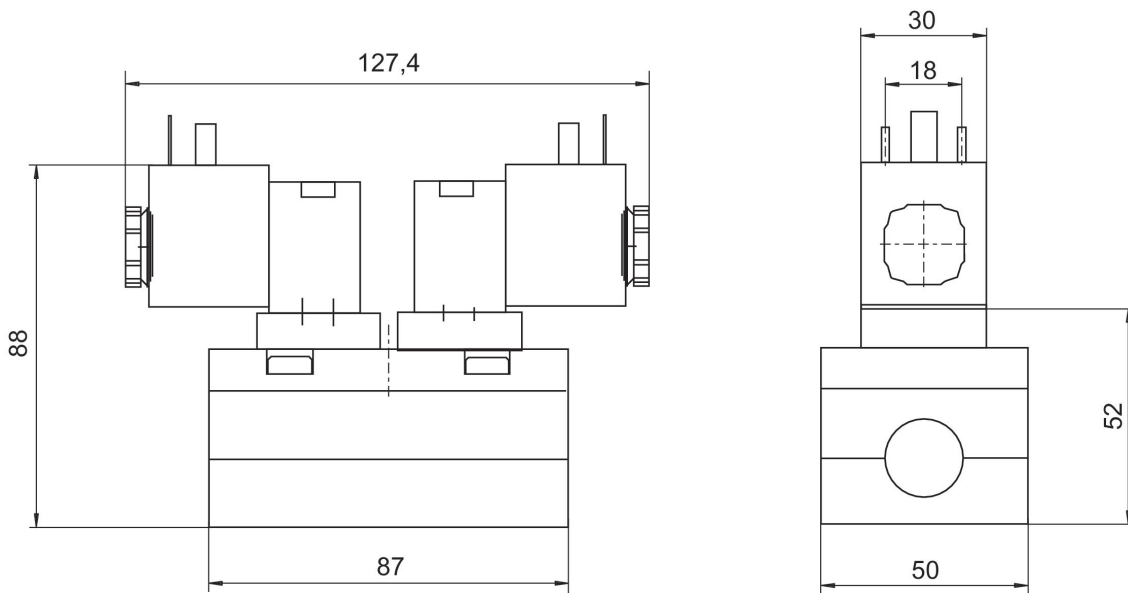
2700 l/min  
Double Solenoid  
ISO 5599-1  
Plug  
EN 175301-803, form A  
Base plate connection  
Internal thread  
Electrically  
Base plate ISO 5599-1  
Base plate ISO 5599-1



| Min. working pressure [bar] | Max. working pressure [bar] | Operational voltage | Operational voltage | Voltage tolerance DC | Power consumption DC [W] | Pilot    | Throttle      | Manual override             | Compatibility index | Part No.   |
|-----------------------------|-----------------------------|---------------------|---------------------|----------------------|--------------------------|----------|---------------|-----------------------------|---------------------|------------|
| 1.5                         | 10                          | 24 V                |                     | -10% / +10%          | 2                        | Internal |               | with detent, without detent | 14                  | 5812290650 |
| 1.5                         | 10                          |                     | 230 V               |                      |                          | Internal |               | with detent, without detent | 14                  | 5812290450 |
| 1.5                         | 10                          | 24 V                |                     | -10% / +10%          | 2                        | Internal | with throttle | with detent, without detent | 14                  | 5812291650 |
| 1.5                         | 10                          |                     | 230 V               |                      |                          | Internal | with throttle | with detent, without detent | 14                  | 5812291450 |
| -0.95                       | 10                          | 24 V                |                     | -10% / +10%          | 2                        | External |               | with detent, without detent | 14                  | 5812292650 |
| -0.95                       | 10                          |                     | 230 V               |                      |                          | External |               | with detent, without detent | 14                  | 5812292450 |
| -0.95                       | 10                          | 24 V                |                     | -10% / +10%          | 2                        | External | with throttle | with detent, without detent | 14                  | 5812293650 |
| -0.95                       | 10                          |                     | 230 V               |                      |                          | External | with throttle | with detent, without detent | 14                  | 5812293450 |

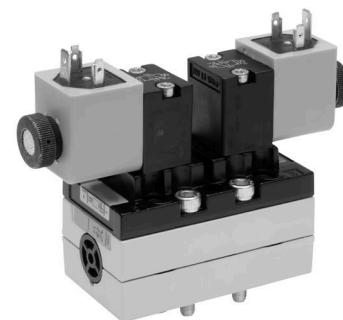


Dimensions



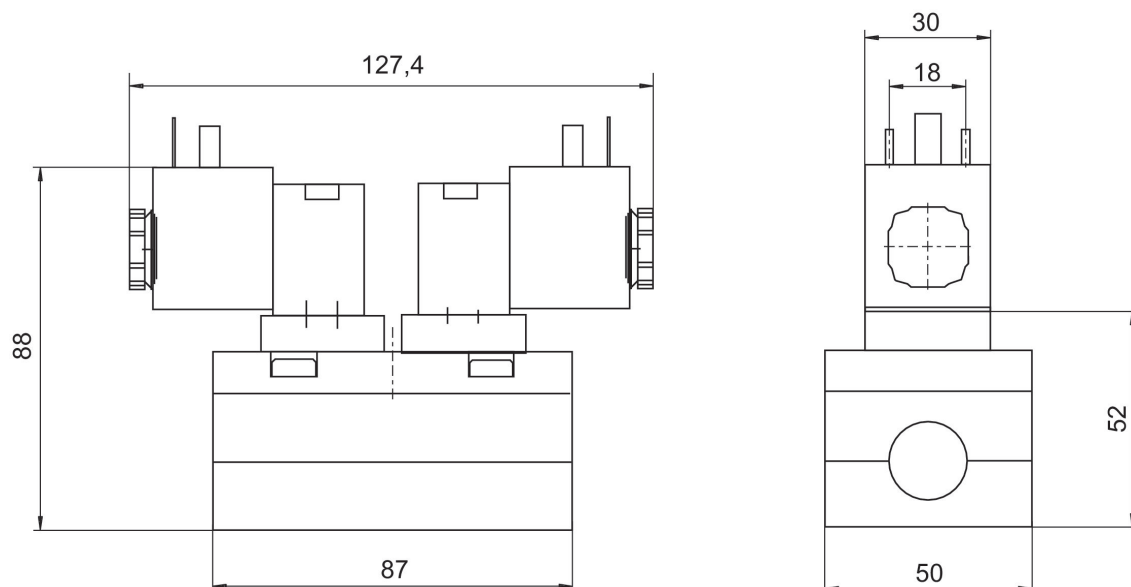
**5/2-directional valve, Series 581, size 2**

2700 l/min  
Double Solenoid  
ISO 5599-1  
Plug  
EN 175301-803, form A  
Base plate connection  
Internal thread  
Electrically  
Base plate ISO 5599-1  
Base plate ISO 5599-1



| Min. working pressure [bar] | Max. working pressure [bar] | Operational voltage | Operational voltage | Voltage tolerance DC | Power consumption DC [W] | Pilot    | Throttle      | Manual override | Part No.   |
|-----------------------------|-----------------------------|---------------------|---------------------|----------------------|--------------------------|----------|---------------|-----------------|------------|
| 1.5                         | 16                          | 24 V                |                     | -10% / +10%          | 6.7                      | Internal |               | without         | 5812290530 |
| 1.5                         | 16                          |                     | 230 V               |                      |                          | Internal |               | without         | 5812290430 |
| 1.5                         | 16                          | 24 V                |                     | -10% / +10%          | 6.7                      | Internal | with throttle | without         | 5812291530 |
| 1.5                         | 16                          |                     | 230 V               |                      |                          | Internal | with throttle | without         | 5812291430 |
| -0.95                       | 16                          | 24 V                |                     | -10% / +10%          | 6.7                      | External |               | without         | 5812292530 |
| -0.95                       | 16                          |                     | 230 V               |                      |                          | External |               | without         | 5812292430 |
| -0.95                       | 16                          | 24 V                |                     | -10% / +10%          | 6.7                      | External | with throttle | without         | 5812293530 |
| -0.95                       | 16                          |                     | 230 V               |                      |                          | External | with throttle | without         | 5812293430 |

Dimensions



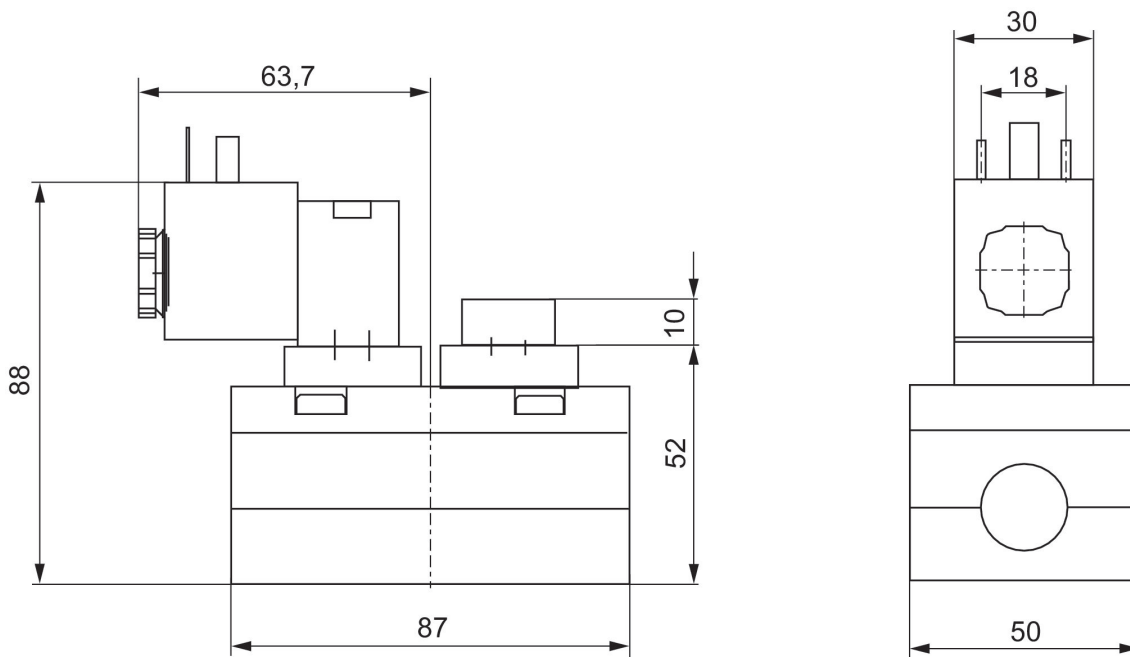
**5/2-directional valve, Series 581, size 2**

2700 l/min  
ISO 5599-1  
Plug  
EN 175301-803, form A  
Base plate connection  
Internal thread  
Electrically  
Base plate ISO 5599-1  
Base plate ISO 5599-1



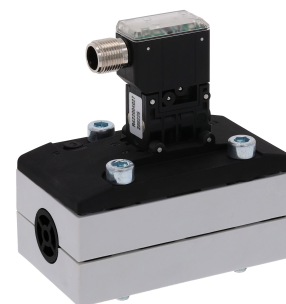
| Min. working pressure [bar] | Max. working pressure [bar] | Operational voltage | Operational voltage | Voltage tolerance DC | Power consumption DC [W] | Pilot    | Throttle      | Manual override             | Compatibility index | Part No.   |
|-----------------------------|-----------------------------|---------------------|---------------------|----------------------|--------------------------|----------|---------------|-----------------------------|---------------------|------------|
| 2.7                         | 10                          | 24 V                |                     | -10% / +10%          | 2                        | Internal |               | with detent, without detent | 14                  | 5812670650 |
| 2.7                         | 10                          |                     | 230 V               |                      |                          | Internal |               | with detent, without detent | 14                  | 5812670450 |
| 2.7                         | 10                          | 24 V                |                     | -10% / +10%          | 2                        | Internal | with throttle | with detent, without detent | 14                  | 5812671650 |
| 2.7                         | 10                          |                     | 230 V               |                      |                          | Internal | with throttle | with detent, without detent | 14                  | 5812671450 |
| -0.95                       | 10                          | 24 V                |                     | -10% / +10%          | 2                        | External |               | with detent, without detent | 14                  | 5812672650 |
| -0.95                       | 10                          |                     | 230 V               |                      |                          | External |               | with detent, without detent | 14                  | 5812672450 |
| -0.95                       | 10                          | 24 V                |                     | -10% / +10%          | 2                        | External | with throttle | with detent, without detent | 14                  | 5812673650 |
| -0.95                       | 10                          |                     | 230 V               |                      |                          | External | with throttle | with detent, without detent | 14                  | 5812673450 |

Dimensions



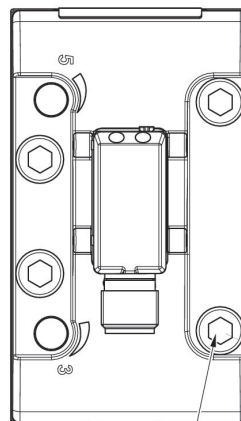
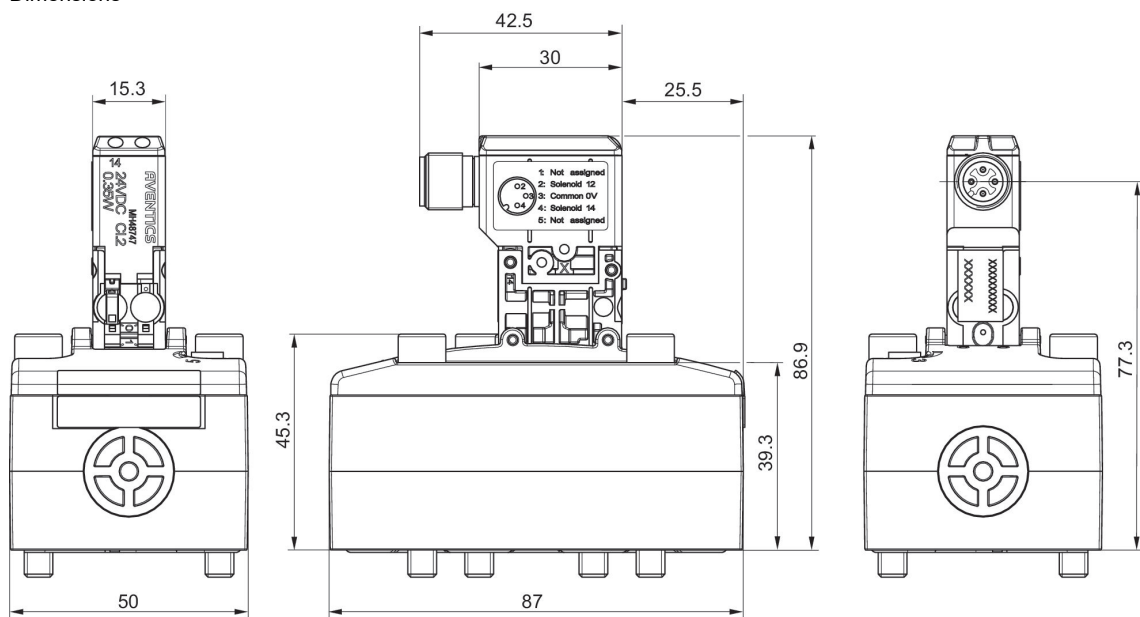
**5/2-directional valve, Series 581, size 2**

4800 l/min  
Single Solenoid  
ISO 5599-1  
Plug  
M12  
Base plate connection  
Electrically  
4-pin  
Base plate ISO 5599-1  
Base plate ISO 5599-1



| Min. working pressure [bar] | Max. working pressure [bar] | Operational voltage | Voltage tolerance DC | Power consumption DC [W] | Pilot    | Throttle      | Manual override | Part No.   |
|-----------------------------|-----------------------------|---------------------|----------------------|--------------------------|----------|---------------|-----------------|------------|
| -0.95                       | 10                          | 24 V                | -10% / +10%          | 0.35                     | External |               | without detent  | 5812112720 |
| -0.95                       | 10                          | 24 V                | -10% / +10%          | 0.35                     | External |               | with detent     | 5812112710 |
| -0.95                       | 10                          | 24 V                | -10% / +10%          | 0.35                     | Internal |               | without detent  | 5812110720 |
| -0.95                       | 10                          | 24 V                | -10% / +10%          | 0.35                     | Internal |               | with detent     | 5812110710 |
| -0.95                       | 10                          | 24 V                | -10% / +10%          | 0.35                     | External | with throttle | without detent  | 5812113720 |
| -0.95                       | 10                          | 24 V                | -10% / +10%          | 0.35                     | External | with throttle | with detent     | 5812113710 |
| -0.95                       | 10                          | 24 V                | -10% / +10%          | 0.35                     | Internal | with throttle | without detent  | 5812111720 |
| -0.95                       | 10                          | 24 V                | -10% / +10%          | 0.35                     | Internal | with throttle | with detent     | 5812111710 |

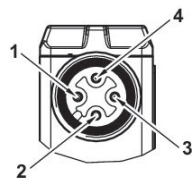
Dimensions



Ma: max. 3.5 Nm (4x)

**5812112720, 5812112710, 5812110720, 5812110710, 5812113720, 5812113710, 5812111720, 5812111710**

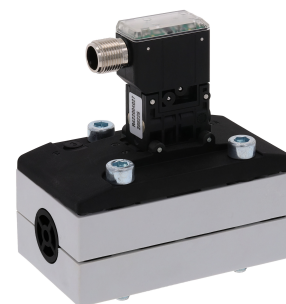
Pin assignments



- 1) not assigned
- 2) Coil 12
- 3) 0 V DC
- 4) Coil 14

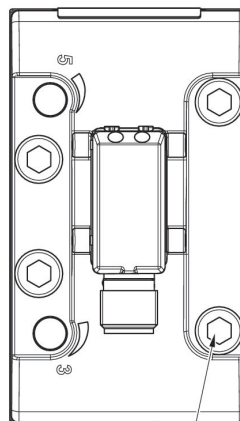
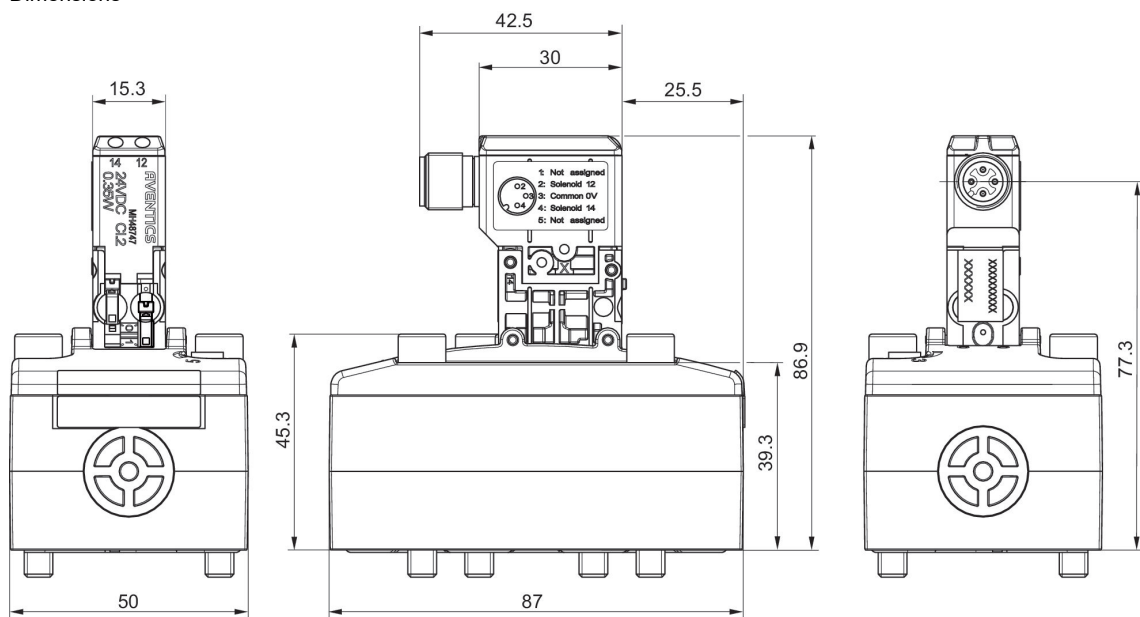
**5/2-directional valve, Series 581, size 2**

4800 l/min  
Double Solenoid  
ISO 5599-1  
Plug  
M12  
Base plate connection  
Electrically  
4-pin  
Base plate ISO 5599-1  
Base plate ISO 5599-1



| Min. working pressure [bar] | Max. working pressure [bar] | Operational voltage | Voltage tolerance DC | Power consumption DC [W] | Pilot    | Throttle      | Manual override | Part No.   |
|-----------------------------|-----------------------------|---------------------|----------------------|--------------------------|----------|---------------|-----------------|------------|
| -0.95                       | 10                          | 24 V                | -10% / +10%          | 0.35                     | External |               | without detent  | 5812222720 |
| -0.95                       | 10                          | 24 V                | -10% / +10%          | 0.35                     | External |               | with detent     | 5812222710 |
| -0.95                       | 10                          | 24 V                | -10% / +10%          | 0.35                     | Internal |               | without detent  | 5812220720 |
| -0.95                       | 10                          | 24 V                | -10% / +10%          | 0.35                     | Internal |               | with detent     | 5812220710 |
| -0.95                       | 10                          | 24 V                | -10% / +10%          | 0.35                     | External | with throttle | with detent     | 5812223710 |
| -0.95                       | 10                          | 24 V                | -10% / +10%          | 0.35                     | External | with throttle | without detent  | 5812223720 |
| -0.95                       | 10                          | 24 V                | -10% / +10%          | 0.35                     | Internal | with throttle | without detent  | 5812221720 |
| -0.95                       | 10                          | 24 V                | -10% / +10%          | 0.35                     | Internal | with throttle | with detent     | 5812221710 |

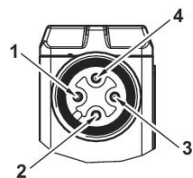
Dimensions



Ma: max. 3.5 Nm (4x)

**5812222720, 5812222710, 5812220720, 5812220710, 5812223710, 5812223720, 5812221720, 5812221710**

Pin assignments

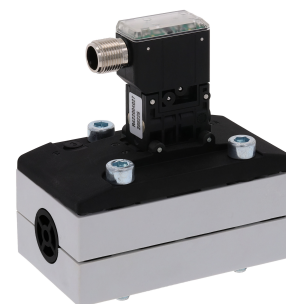


- 1) not assigned
- 2) Coil 12
- 3) 0 V DC
- 4) Coil 14



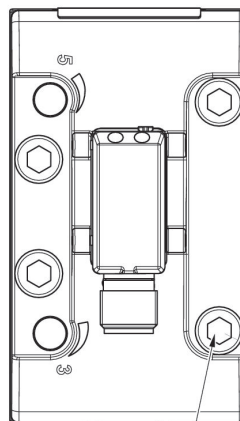
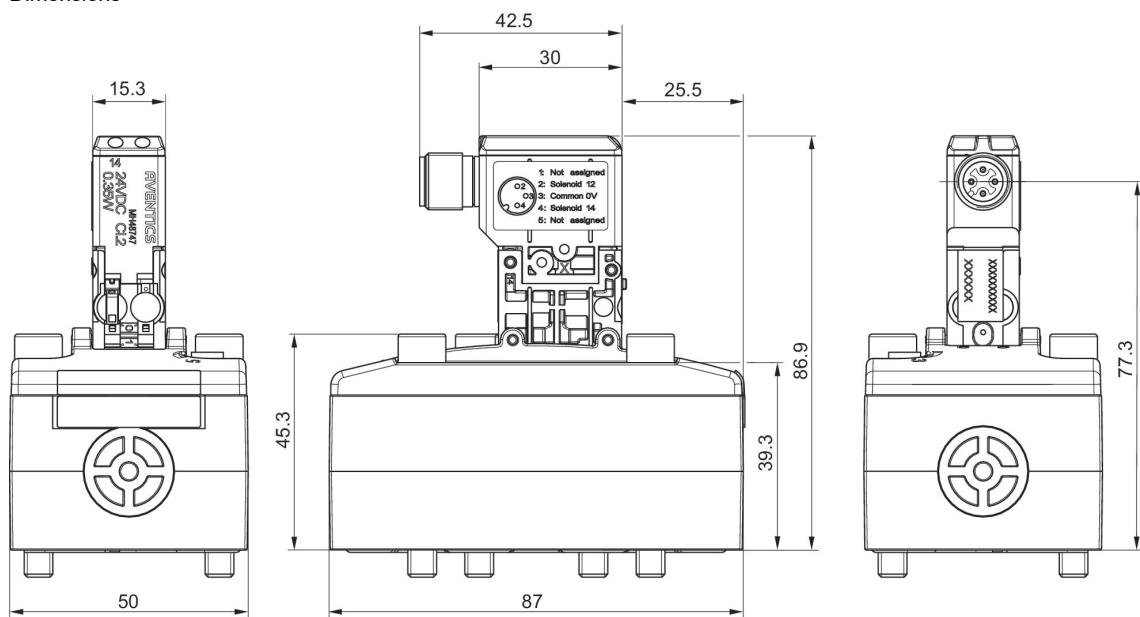
**5/2-directional valve, Series 581, size 2**

4800 l/min  
ISO 5599-1  
Plug  
M12  
Base plate connection  
Electrically  
4-pin  
Base plate ISO 5599-1  
Base plate ISO 5599-1



| Min. working pressure [bar] | Max. working pressure [bar] | Operational voltage | Voltage tolerance DC | Power consumption DC [W] | Pilot    | Throttle      | Manual override | Part No.   |
|-----------------------------|-----------------------------|---------------------|----------------------|--------------------------|----------|---------------|-----------------|------------|
| -0.95                       | 10                          | 24 V                | -10% / +10%          | 0.35                     | External |               | without detent  | 5812612720 |
| -0.95                       | 10                          | 24 V                | -10% / +10%          | 0.35                     | External |               | with detent     | 5812612710 |
| -0.95                       | 10                          | 24 V                | -10% / +10%          | 0.35                     | Internal |               | without detent  | 5812610720 |
| -0.95                       | 10                          | 24 V                | -10% / +10%          | 0.35                     | Internal |               | with detent     | 5812610710 |
| -0.95                       | 10                          | 24 V                | -10% / +10%          | 0.35                     | External | with throttle | without detent  | 5812613720 |
| -0.95                       | 10                          | 24 V                | -10% / +10%          | 0.35                     | External | with throttle | with detent     | 5812613710 |
| -0.95                       | 10                          | 24 V                | -10% / +10%          | 0.35                     | Internal | with throttle | without detent  | 5812611720 |
| -0.95                       | 10                          | 24 V                | -10% / +10%          | 0.35                     | Internal | with throttle | with detent     | 5812611710 |

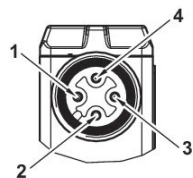
Dimensions



Ma: max. 3.5 Nm (4x)

**5812612720, 5812612710, 5812610720, 5812610710, 5812613720, 5812613710, 5812611720, 5812611710**

Pin assignments



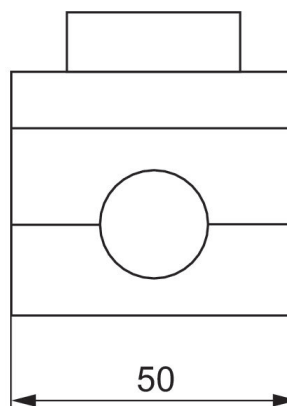
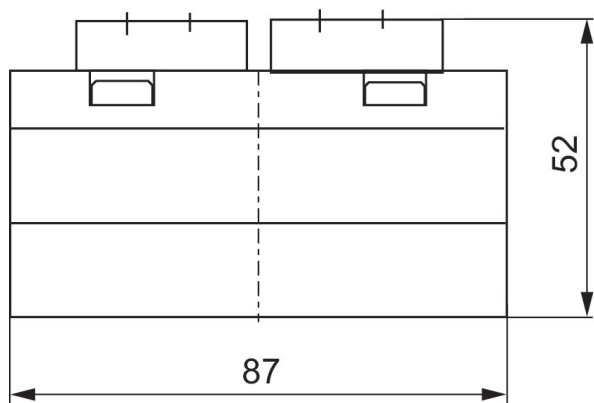
- 1) not assigned
- 2) Coil 12
- 3) 0 V DC
- 4) Coil 14

**5/3-directional valve, Series 581, size 2**

2100 l/min  
ISO 5599-1  
Base plate connection  
Electrically  
Basic valve without pilot valve  
Base plate ISO 5599-1  
Base plate ISO 5599-1



| Min. working pressure [bar] | Max. working pressure [bar] | Pilot              | Part No.   |
|-----------------------------|-----------------------------|--------------------|------------|
| -0.95                       | 10                          | External, Internal | 5812480080 |
| -0.95                       | 10                          | External, Internal | 5812580080 |
| -0.95                       | 10                          | External, Internal | 5812780080 |



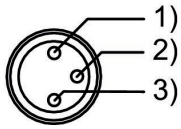
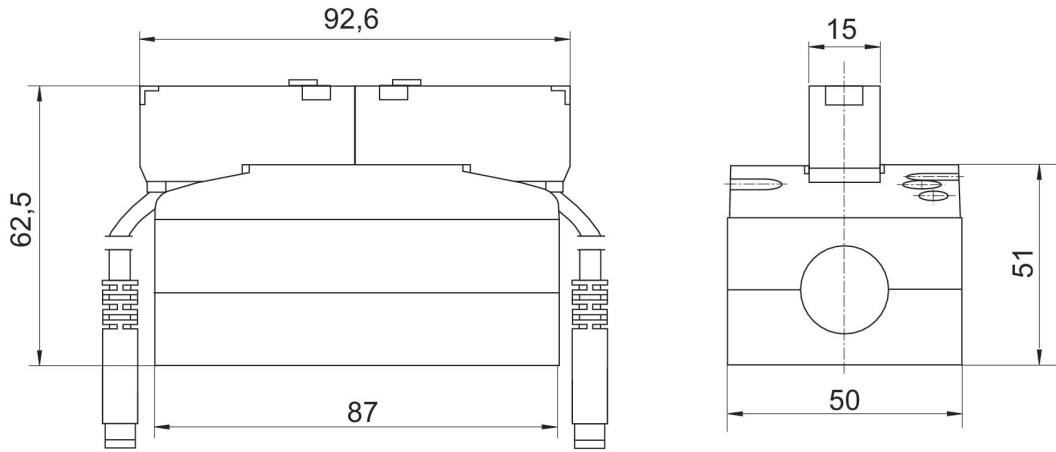
**5/3-directional valve, Series 581, size 2**

2100 l/min  
ISO 5599-1  
Plug  
Base plate connection  
Electrically  
3-pin  
Base plate ISO 5599-1  
Base plate ISO 5599-1



|                    | Min. working pressure [bar] | Max. working pressure [bar] | Operational voltage | Voltage tolerance DC | Power consumption DC [W] | Pilot    | Throttle      | Manual override | Part No.   |
|--------------------|-----------------------------|-----------------------------|---------------------|----------------------|--------------------------|----------|---------------|-----------------|------------|
| Closed Center      | 3                           | 10                          | 24 V                | -10% / +10%          | 2.2                      | Internal |               | without detent  | 5812460160 |
| Closed Center      | 3                           | 10                          | 24 V                | -10% / +10%          | 2.2                      | Internal | with throttle | without detent  | 5812461160 |
| Closed Center      | -0.95                       | 10                          | 24 V                | -10% / +10%          | 2.2                      | External |               | without detent  | 5812462160 |
| Closed Center      | -0.95                       | 10                          | 24 V                | -10% / +10%          | 2.2                      | External | with throttle | without detent  | 5812463160 |
| Exhausted Center   | 3                           | 10                          | 24 V                | -10% / +10%          | 2.2                      | Internal |               | without detent  | 5812560160 |
| Exhausted Center   | 3                           | 10                          | 24 V                | -10% / +10%          | 2.2                      | Internal | with throttle | without detent  | 5812561160 |
| Exhausted Center   | -0.95                       | 10                          | 24 V                | -10% / +10%          | 2.2                      | External |               | without detent  | 5812562160 |
| Exhausted Center   | -0.95                       | 10                          | 24 V                | -10% / +10%          | 2.2                      | External | with throttle | without detent  | 5812563160 |
| Pressurized Center | 3                           | 10                          | 24 V                | -10% / +10%          | 2.2                      | Internal |               | without detent  | 5812760160 |
| Pressurized Center | 3                           | 10                          | 24 V                | -10% / +10%          | 2.2                      | Internal | with throttle | without detent  | 5812761160 |
| Pressurized Center | -0.95                       | 10                          | 24 V                | -10% / +10%          | 2.2                      | External |               | without detent  | 5812762160 |
| Pressurized Center | -0.95                       | 10                          | 24 V                | -10% / +10%          | 2.2                      | External | with throttle | without detent  | 5812763160 |

Dimensions



Pin assignment 1) brown (+24 V) 2) green/yellow (ground) 3) blue (0 V)

**5/3-directional valve, Series 581, size 2**

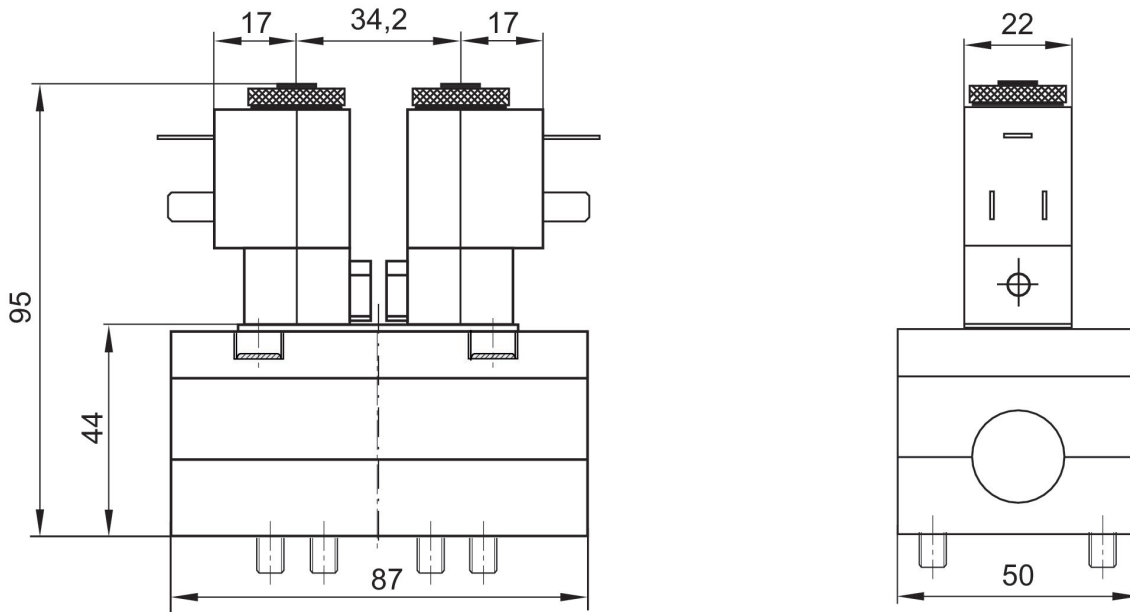
2100 l/min  
ISO 5599-1  
Plug  
Form B, industry  
Base plate connection  
Internal thread  
Electrically  
Base plate ISO 5599-1  
Base plate ISO 5599-1



|                    | Min. working pressure [bar] | Max. working pressure [bar] | Operational voltage | Operational voltage | Operational voltage | Voltage tolerance DC | Power consumption DC [W] | Pilot    | Throttle      | Manual override | Part No.   |
|--------------------|-----------------------------|-----------------------------|---------------------|---------------------|---------------------|----------------------|--------------------------|----------|---------------|-----------------|------------|
| Pressurized Center | 3                           | 10                          | 12 V                |                     |                     | -10% / +10%          | 5                        | Internal |               | with detent     | 5812720500 |
| Pressurized Center | 3                           | 10                          |                     | 24 V                |                     |                      |                          | Internal |               | with detent     | 5812720200 |
| Pressurized Center | 3                           | 10                          | 24 V                |                     |                     | -10% / +10%          | 5                        | Internal |               | with detent     | 5812720100 |
| Pressurized Center | 3                           | 10                          | 48 V                |                     |                     | -10% / +10%          | 5                        | Internal |               | with detent     | 5812720600 |
| Pressurized Center | 3                           | 10                          |                     |                     | 110 V               |                      |                          | Internal |               | with detent     | 5812720300 |
| Pressurized Center | 3                           | 10                          |                     | 230 V               |                     |                      |                          | Internal |               | with detent     | 5812720400 |
| Pressurized Center | 3                           | 10                          |                     |                     |                     |                      |                          | Internal |               | with detent     | 5812720000 |
| Pressurized Center | 3                           | 10                          | 12 V                |                     |                     | -10% / +10%          | 5                        | Internal | with throttle | with detent     | 5812721500 |
| Pressurized Center | 3                           | 10                          |                     | 24 V                |                     |                      |                          | Internal | with throttle | with detent     | 5812721200 |
| Pressurized Center | 3                           | 10                          | 24 V                |                     |                     | -10% / +10%          | 5                        | Internal | with throttle | with detent     | 5812721100 |
| Pressurized Center | 3                           | 10                          | 48 V                |                     |                     | -10% / +10%          | 5                        | Internal | with throttle | with detent     | 5812721600 |
| Pressurized Center | 3                           | 10                          |                     |                     | 110 V               |                      |                          | Internal | with throttle | with detent     | 5812721300 |
| Pressurized Center | 3                           | 10                          |                     | 230 V               |                     |                      |                          | Internal | with throttle | with detent     | 5812721400 |

|                    | Min. working pressure [bar] | Max. working pressure [bar] | Operational voltage | Operational voltage | Operational voltage | Voltage tolerance DC | Power consumption DC [W] | Pilot    | Throttle      | Manual override | Part No.   |
|--------------------|-----------------------------|-----------------------------|---------------------|---------------------|---------------------|----------------------|--------------------------|----------|---------------|-----------------|------------|
| Pressurized Center | 3                           | 10                          |                     |                     |                     |                      |                          | Internal | with throttle | with detent     | 5812721000 |
| Pressurized Center | -0.95                       | 10                          | 12 V                |                     |                     | -10% / +10%          | 5                        | External |               | with detent     | 5812722500 |
| Pressurized Center | -0.95                       | 10                          |                     | 24 V                |                     |                      |                          | External |               | with detent     | 5812722200 |
| Pressurized Center | -0.95                       | 10                          | 24 V                |                     |                     | -10% / +10%          | 5                        | External |               | with detent     | 5812722100 |
| Pressurized Center | -0.95                       | 10                          | 48 V                |                     |                     | -10% / +10%          | 5                        | External |               | with detent     | 5812722600 |
| Pressurized Center | -0.95                       | 10                          |                     |                     | 110 V               |                      |                          | External |               | with detent     | 5812722300 |
| Pressurized Center | -0.95                       | 10                          |                     | 230 V               |                     |                      |                          | External |               | with detent     | 5812722400 |
| Pressurized Center | -0.95                       | 10                          |                     |                     |                     |                      |                          | External |               | with detent     | 5812722000 |
| Pressurized Center | -0.95                       | 10                          | 12 V                |                     |                     | -10% / +10%          | 5                        | External | with throttle | with detent     | 5812723500 |
| Pressurized Center | -0.95                       | 10                          |                     | 24 V                |                     |                      |                          | External | with throttle | with detent     | 5812723200 |
| Pressurized Center | -0.95                       | 10                          | 24 V                |                     |                     | -10% / +10%          | 5                        | External | with throttle | with detent     | 5812723100 |
| Pressurized Center | -0.95                       | 10                          | 48 V                |                     |                     | -10% / +10%          | 5                        | External | with throttle | with detent     | 5812723600 |
| Pressurized Center | -0.95                       | 10                          |                     |                     | 110 V               |                      |                          | External | with throttle | with detent     | 5812723300 |
| Pressurized Center | -0.95                       | 10                          |                     | 230 V               |                     |                      |                          | External | with throttle | with detent     | 5812723400 |
| Pressurized Center | -0.95                       | 10                          |                     |                     |                     |                      |                          | External | with throttle | with detent     | 5812723000 |

Dimensions



The pilot valves can be loosened and turned through 180°.



**5/3-directional valve, Series 581, size 2**

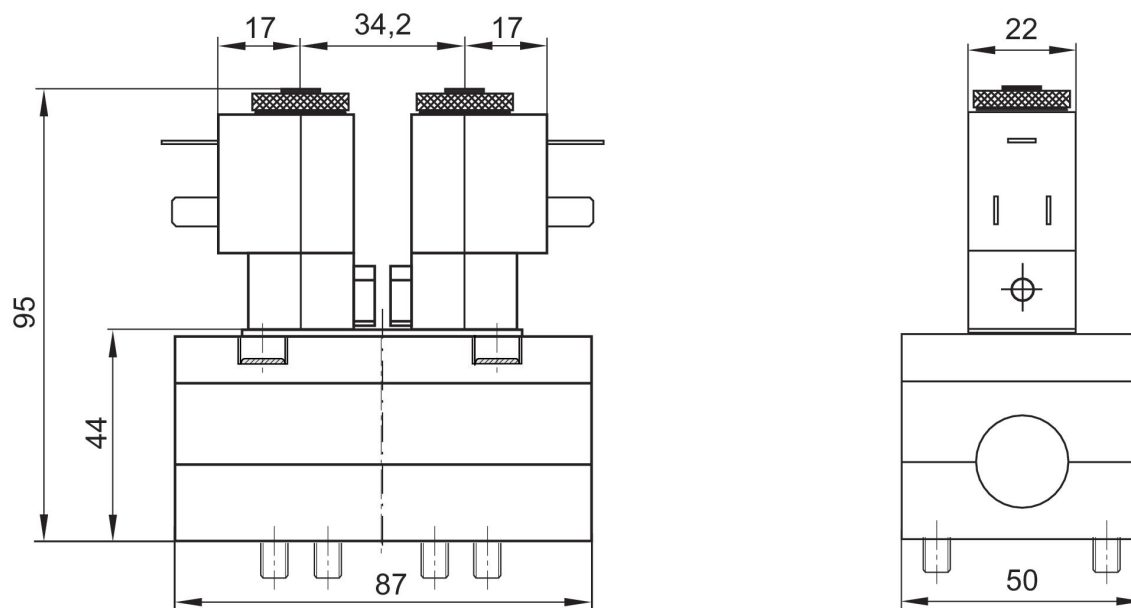
2100 l/min  
ISO 5599-1  
Plug  
Form B, industry  
Base plate connection  
Internal thread  
Electrically  
Base plate ISO 5599-1  
Base plate ISO 5599-1



|                  | Min. working pressure [bar] | Max. working pressure [bar] | Operational voltage | Operational voltage | Operational voltage | Voltage tolerance DC | Power consumption DC [W] | Pilot    | Throttle      | Manual override | Part No.   |
|------------------|-----------------------------|-----------------------------|---------------------|---------------------|---------------------|----------------------|--------------------------|----------|---------------|-----------------|------------|
| Exhausted Center | 3                           | 10                          | 12 V                |                     |                     | -10% / +10%          | 5                        | Internal |               | with detent     | 5812520500 |
| Exhausted Center | 3                           | 10                          |                     | 24 V                |                     |                      |                          | Internal |               | with detent     | 5812520200 |
| Exhausted Center | 3                           | 10                          | 24 V                |                     |                     | -10% / +10%          | 5                        | Internal |               | with detent     | 5812520100 |
| Exhausted Center | 3                           | 10                          | 48 V                |                     |                     | -10% / +10%          | 5                        | Internal |               | with detent     | 5812520600 |
| Exhausted Center | 3                           | 10                          |                     |                     | 110 V               |                      |                          | Internal |               | with detent     | 5812520300 |
| Exhausted Center | 3                           | 10                          |                     | 230 V               |                     |                      |                          | Internal |               | with detent     | 5812520400 |
| Exhausted Center | 3                           | 10                          |                     |                     |                     |                      |                          | Internal |               | with detent     | 5812520000 |
| Exhausted Center | 3                           | 10                          | 12 V                |                     |                     | -10% / +10%          | 5                        | Internal | with throttle | with detent     | 5812521500 |
| Exhausted Center | 3                           | 10                          |                     | 24 V                |                     |                      |                          | Internal | with throttle | with detent     | 5812521200 |
| Exhausted Center | 3                           | 10                          | 24 V                |                     |                     | -10% / +10%          | 5                        | Internal | with throttle | with detent     | 5812521100 |
| Exhausted Center | 3                           | 10                          | 48 V                |                     |                     | -10% / +10%          | 5                        | Internal | with throttle | with detent     | 5812521600 |
| Exhausted Center | 3                           | 10                          |                     |                     | 110 V               |                      |                          | Internal | with throttle | with detent     | 5812521300 |
| Exhausted Center | 3                           | 10                          |                     | 230 V               |                     |                      |                          | Internal | with throttle | with detent     | 5812521400 |
| Exhausted Center | 3                           | 10                          |                     |                     |                     |                      |                          | Internal | with throttle | with detent     | 5812521000 |
| Exhausted Center | -0.95                       | 10                          | 12 V                |                     |                     | -10% / +10%          | 5                        | External |               | with detent     | 5812522500 |
| Exhausted Center | -0.95                       | 10                          |                     | 24 V                |                     |                      |                          | External |               | with detent     | 5812522200 |
| Exhausted Center | -0.95                       | 10                          | 24 V                |                     |                     | -10% / +10%          | 5                        | External |               | with detent     | 5812522100 |
| Exhausted Center | -0.95                       | 10                          | 48 V                |                     |                     | -10% / +10%          | 5                        | External |               | with detent     | 5812522600 |

|                  | Min. working pressure [bar] | Max. working pressure [bar] | Operational voltage | Operational voltage | Operational voltage | Voltage tolerance DC | Power consumption DC [W] | Pilot    | Throttle      | Manual override | Part No.   |
|------------------|-----------------------------|-----------------------------|---------------------|---------------------|---------------------|----------------------|--------------------------|----------|---------------|-----------------|------------|
| Exhausted Center | -0.95                       | 10                          |                     |                     | 110 V               |                      |                          | External |               | with detent     | 5812522300 |
| Exhausted Center | -0.95                       | 10                          |                     | 230 V               |                     |                      |                          | External |               | with detent     | 5812522400 |
| Exhausted Center | -0.95                       | 10                          |                     |                     |                     |                      |                          | External |               | with detent     | 5812522000 |
| Exhausted Center | -0.95                       | 10                          | 12 V                |                     |                     | -10% / +10%          | 5                        | External | with throttle | with detent     | 5812523500 |
| Exhausted Center | -0.95                       | 10                          |                     | 24 V                |                     |                      |                          | External | with throttle | with detent     | 5812523200 |
| Exhausted Center | -0.95                       | 10                          | 24 V                |                     |                     | -10% / +10%          | 5                        | External | with throttle | with detent     | 5812523100 |
| Exhausted Center | -0.95                       | 10                          | 48 V                |                     |                     | -10% / +10%          | 5                        | External | with throttle | with detent     | 5812523600 |
| Exhausted Center | -0.95                       | 10                          |                     |                     | 110 V               |                      |                          | External | with throttle | with detent     | 5812523300 |
| Exhausted Center | -0.95                       | 10                          |                     | 230 V               |                     |                      |                          | External | with throttle | with detent     | 5812523400 |
| Exhausted Center | -0.95                       | 10                          |                     |                     |                     |                      |                          | External | with throttle | with detent     | 5812523000 |

Dimensions



The pilot valves can be loosened and turned through 180°.

**5/3-directional valve, Series 581, size 2**

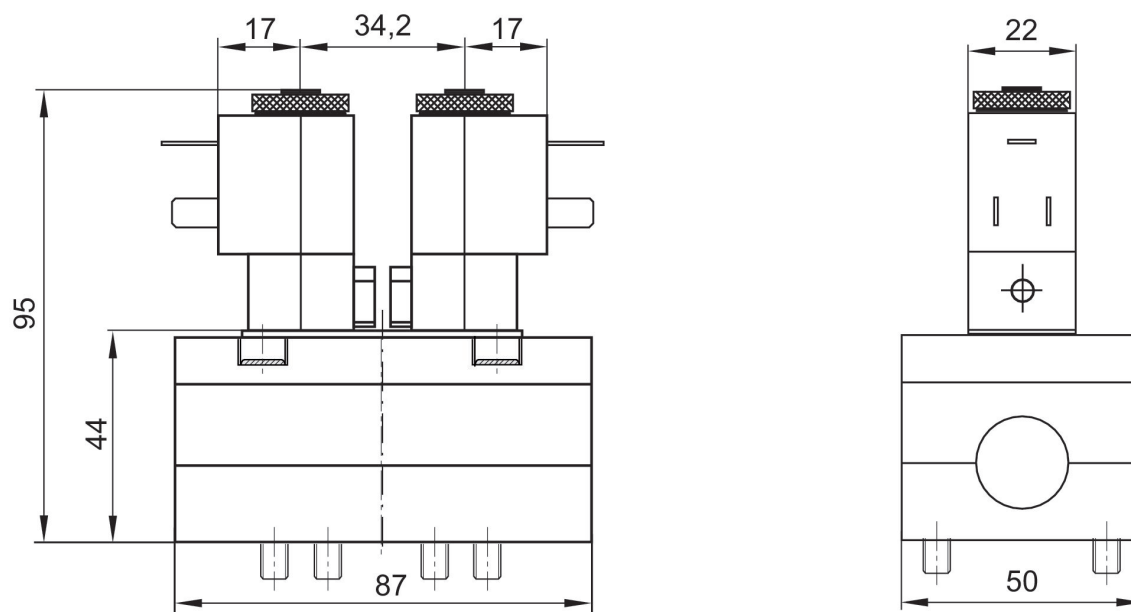
2100 l/min  
ISO 5599-1  
Plug  
Form B, industry  
Base plate connection  
Internal thread  
Electrically  
Base plate ISO 5599-1  
Base plate ISO 5599-1



|               | Min. working pressure [bar] | Max. working pressure [bar] | Operational voltage | Operational voltage | Operational voltage | Voltage tolerance DC | Power consumption DC [W] | Pilot    | Throttle      | Manual override | Part No.   |
|---------------|-----------------------------|-----------------------------|---------------------|---------------------|---------------------|----------------------|--------------------------|----------|---------------|-----------------|------------|
| Closed Center | 3                           | 10                          | 12 V                |                     |                     | -10% / +10%          | 5                        | Internal |               | with detent     | 5812420500 |
| Closed Center | 3                           | 10                          |                     | 24 V                |                     |                      |                          | Internal |               | with detent     | 5812420200 |
| Closed Center | 3                           | 10                          | 24 V                |                     |                     | -10% / +10%          | 5                        | Internal |               | with detent     | 5812420100 |
| Closed Center | 3                           | 10                          | 48 V                |                     |                     | -10% / +10%          | 5                        | Internal |               | with detent     | 5812420600 |
| Closed Center | 3                           | 10                          |                     |                     | 110 V               |                      |                          | Internal |               | with detent     | 5812420300 |
| Closed Center | 3                           | 10                          |                     | 230 V               |                     |                      |                          | Internal |               | with detent     | 5812420400 |
| Closed Center | 3                           | 10                          |                     |                     |                     |                      |                          | Internal |               | with detent     | 5812420000 |
| Closed Center | 3                           | 10                          | 12 V                |                     |                     | -10% / +10%          | 5                        | Internal | with throttle | with detent     | 5812421500 |
| Closed Center | 3                           | 10                          |                     | 24 V                |                     |                      |                          | Internal | with throttle | with detent     | 5812421200 |
| Closed Center | 3                           | 10                          | 24 V                |                     |                     | -10% / +10%          | 5                        | Internal | with throttle | with detent     | 5812421100 |
| Closed Center | 3                           | 10                          | 48 V                |                     |                     | -10% / +10%          | 5                        | Internal | with throttle | with detent     | 5812421600 |
| Closed Center | 3                           | 10                          |                     |                     | 110 V               |                      |                          | Internal | with throttle | with detent     | 5812421300 |
| Closed Center | 3                           | 10                          |                     | 230 V               |                     |                      |                          | Internal | with throttle | with detent     | 5812421400 |
| Closed Center | 3                           | 10                          |                     |                     |                     |                      |                          | Internal | with throttle | with detent     | 5812421000 |
| Closed Center | -0.95                       | 10                          | 12 V                |                     |                     | -10% / +10%          | 5                        | External |               | with detent     | 5812422500 |
| Closed Center | -0.95                       | 10                          |                     | 24 V                |                     |                      |                          | External |               | with detent     | 5812422200 |
| Closed Center | -0.95                       | 10                          | 48 V                |                     |                     | -10% / +10%          | 5                        | External |               | with detent     | 5812422600 |
| Closed Center | -0.95                       | 10                          |                     |                     | 110 V               |                      |                          | External |               | with detent     | 5812422300 |

|               | Min. working pressure [bar] | Max. working pressure [bar] | Operational voltage | Operational voltage | Operational voltage | Voltage tolerance DC | Power consumption DC [W] | Pilot    | Throttle      | Manual override | Part No.   |
|---------------|-----------------------------|-----------------------------|---------------------|---------------------|---------------------|----------------------|--------------------------|----------|---------------|-----------------|------------|
| Closed Center | -0.95                       | 10                          |                     | 230 V               |                     |                      |                          | External |               | with detent     | 5812422400 |
| Closed Center | -0.95                       | 10                          |                     |                     |                     |                      |                          | External |               | with detent     | 5812422000 |
| Closed Center | -0.95                       | 10                          | 12 V                |                     |                     | -10% / +10%          | 5                        | External | with throttle | with detent     | 5812423500 |
| Closed Center | -0.95                       | 10                          |                     | 24 V                |                     |                      |                          | External | with throttle | with detent     | 5812423200 |
| Closed Center | -0.95                       | 10                          | 24 V                |                     |                     | -10% / +10%          | 5                        | External | with throttle | with detent     | 5812423100 |
| Closed Center | -0.95                       | 10                          | 48 V                |                     |                     | -10% / +10%          | 5                        | External | with throttle | with detent     | 5812423600 |
| Closed Center | -0.95                       | 10                          |                     |                     | 110 V               |                      |                          | External | with throttle | with detent     | 5812423300 |
| Closed Center | -0.95                       | 10                          |                     | 230 V               |                     |                      |                          | External | with throttle | with detent     | 5812423400 |
| Closed Center | -0.95                       | 10                          |                     |                     |                     |                      |                          | External | with throttle | with detent     | 5812423000 |

Dimensions



The pilot valves can be loosened and turned through 180°.

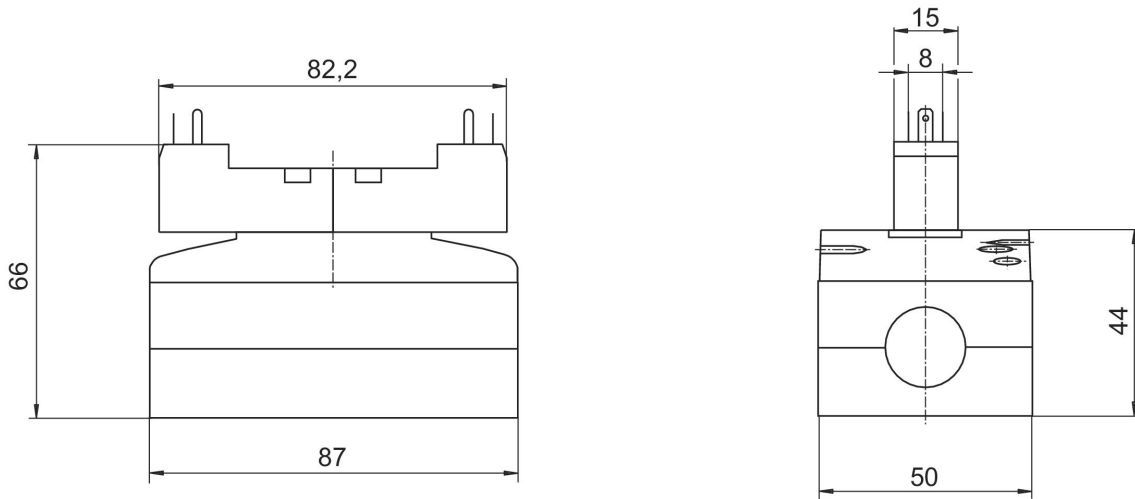
**5/3-directional valve, Series 581, size 2**

2100 l/min  
ISO 5599-1  
Plug  
ISO 15217, form C  
Base plate connection  
Electrically  
Base plate ISO 5599-1  
Base plate ISO 5599-1



|                    | Min. working pressure [bar] | Max. working pressure [bar] | Operational voltage | Voltage tolerance DC | Power consumption DC [W] | Pilot    | Throttle      | Manual override | Part No.   |
|--------------------|-----------------------------|-----------------------------|---------------------|----------------------|--------------------------|----------|---------------|-----------------|------------|
| Closed Center      | 3                           | 10                          | 24 V                | -10% / +10%          | 2                        | Internal |               | without detent  | 5812460130 |
| Closed Center      | 3                           | 10                          | 24 V                | -10% / +10%          | 2                        | Internal | with throttle | without detent  | 5812461130 |
| Closed Center      | -0.95                       | 10                          | 24 V                | -10% / +10%          | 2                        | External |               | without detent  | 5812462130 |
| Closed Center      | -0.95                       | 10                          | 24 V                | -10% / +10%          | 2                        | External | with throttle | without detent  | 5812463130 |
| Exhausted Center   | 3                           | 10                          | 24 V                | -10% / +10%          | 2                        | Internal |               | without detent  | 5812560130 |
| Exhausted Center   | 3                           | 10                          | 24 V                | -10% / +10%          | 2                        | Internal | with throttle | without detent  | 5812561130 |
| Exhausted Center   | -0.95                       | 10                          | 24 V                | -10% / +10%          | 2                        | External |               | without detent  | 5812562130 |
| Exhausted Center   | -0.95                       | 10                          | 24 V                | -10% / +10%          | 2                        | External | with throttle | without detent  | 5812563130 |
| Pressurized Center | 3                           | 10                          | 24 V                | -10% / +10%          | 2                        | Internal |               | without detent  | 5812760130 |
| Pressurized Center | 3                           | 10                          | 24 V                | -10% / +10%          | 2                        | Internal | with throttle | without detent  | 5812761130 |
| Pressurized Center | -0.95                       | 10                          | 24 V                | -10% / +10%          | 2                        | External |               | without detent  | 5812762130 |
| Pressurized Center | -0.95                       | 10                          | 24 V                | -10% / +10%          | 2                        | External | with throttle | without detent  | 5812763130 |

Dimensions



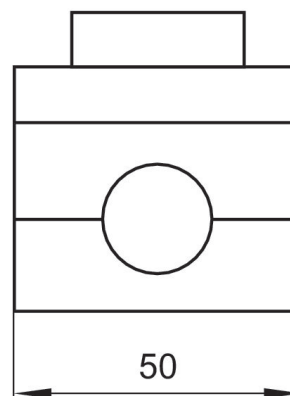
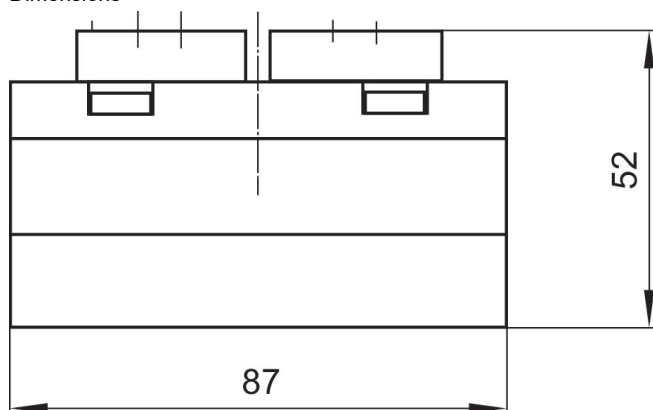
**5/3-directional valve, Series 581, size 2**

2100 l/min  
ISO 5599-1  
Base plate connection  
Electrically  
Basic valve without pilot valve  
Base plate ISO 5599-1  
Base plate ISO 5599-1



|                    | Min. working pressure [bar] | Max. working pressure [bar] | Pilot              | Throttle      | Part No.   |
|--------------------|-----------------------------|-----------------------------|--------------------|---------------|------------|
| Closed Center      | -0.95                       | 16                          | External, Internal |               | 5812480000 |
| Closed Center      | -0.95                       | 16                          | External, Internal | with throttle | 5812481000 |
| Exhausted Center   | -0.95                       | 16                          | External, Internal |               | 5812580000 |
| Exhausted Center   | -0.95                       | 16                          | External, Internal | with throttle | 5812581000 |
| Pressurized Center | -0.95                       | 16                          | External, Internal |               | 5812780000 |
| Pressurized Center | -0.95                       | 16                          | External, Internal | with throttle | 5812781000 |

Dimensions



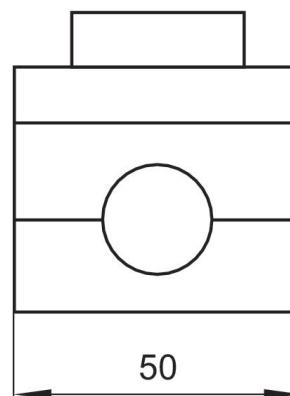
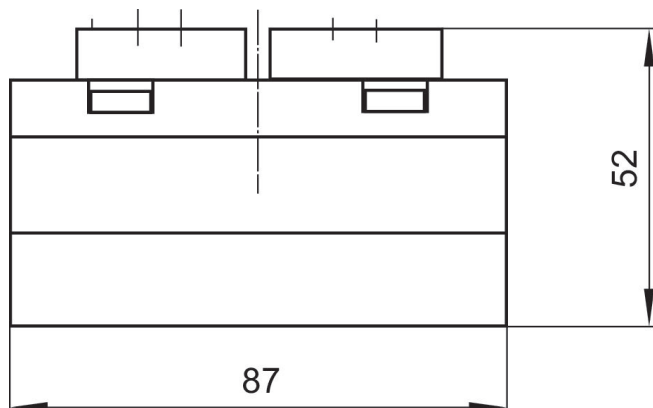
**5/3-directional valve, Series 581, size 2**

2100 l/min  
ISO 5599-1  
Base plate connection  
Electrically  
Basic valve without pilot valve  
Base plate ISO 5599-1  
Base plate ISO 5599-1



|                    | Min. working pressure [bar] | Max. working pressure [bar] | Pilot              | Part No.   |
|--------------------|-----------------------------|-----------------------------|--------------------|------------|
| Closed Center      | -0.95                       | 16                          | External, Internal | 5812480100 |
| Exhausted Center   | -0.95                       | 16                          | External, Internal | 5812580100 |
| Pressurized Center | -0.95                       | 16                          | External, Internal | 5812780100 |

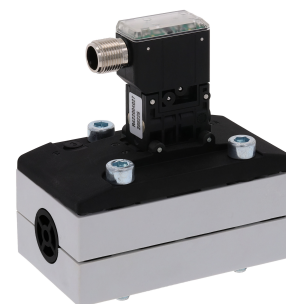
Dimensions





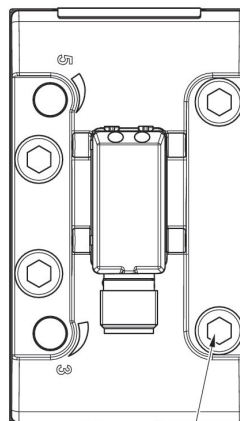
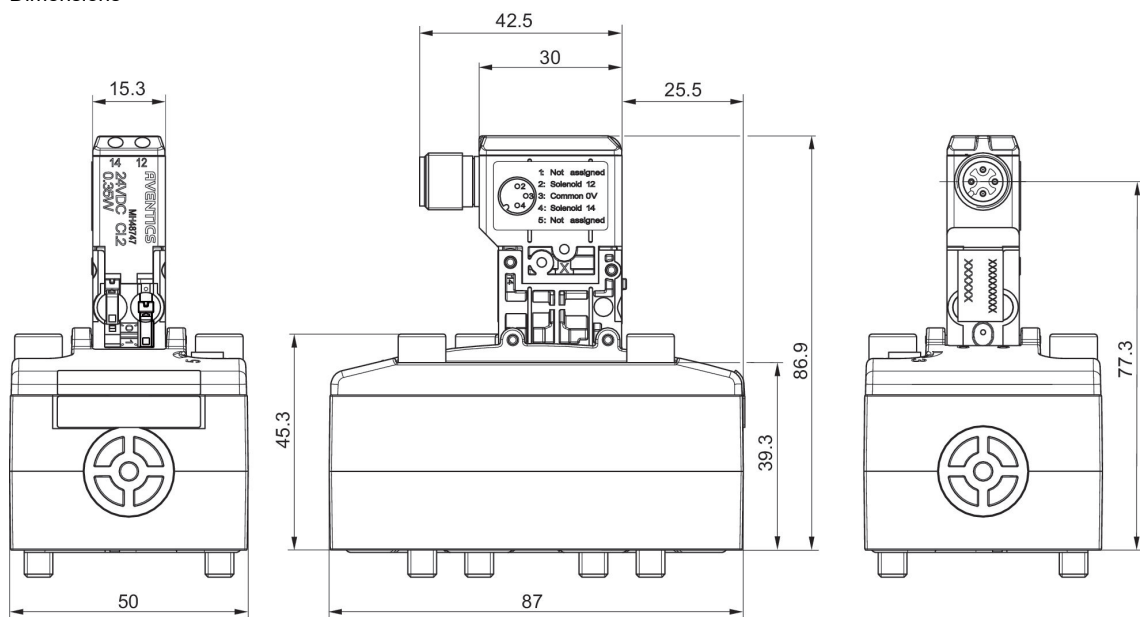
**5/3-directional valve, Series 581, size 2**

4100 l/min  
ISO 5599-1  
Plug  
M12  
Base plate connection  
Electrically  
4-pin  
Base plate ISO 5599-1  
Base plate ISO 5599-1



|               | Min. working pressure [bar] | Max. working pressure [bar] | Operational voltage | Voltage tolerance DC | Power consumption DC [W] | Pilot    | Throttle      | Manual override | Part No.   |
|---------------|-----------------------------|-----------------------------|---------------------|----------------------|--------------------------|----------|---------------|-----------------|------------|
| Closed Center | -0.95                       | 10                          | 24 V                | -10% / +10%          | 0.35                     | External |               | without detent  | 5812422720 |
| Closed Center | -0.95                       | 10                          | 24 V                | -10% / +10%          | 0.35                     | External |               | with detent     | 5812422710 |
| Closed Center | -0.95                       | 10                          | 24 V                | -10% / +10%          | 0.35                     | Internal |               | without detent  | 5812420720 |
| Closed Center | -0.95                       | 10                          | 24 V                | -10% / +10%          | 0.35                     | Internal |               | with detent     | 5812420710 |
| Closed Center | -0.95                       | 10                          | 24 V                | -10% / +10%          | 0.35                     | External | with throttle | without detent  | 5812423720 |
| Closed Center | -0.95                       | 10                          | 24 V                | -10% / +10%          | 0.35                     | External | with throttle | with detent     | 5812423710 |
| Closed Center | -0.95                       | 10                          | 24 V                | -10% / +10%          | 0.35                     | Internal | with throttle | without detent  | 5812421720 |
| Closed Center | -0.95                       | 10                          | 24 V                | -10% / +10%          | 0.35                     | Internal | with throttle | with detent     | 5812421710 |

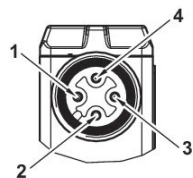
Dimensions



Ma: max. 3.5 Nm (4x)

**5812422720, 5812422710, 5812420720, 5812420710, 5812423720, 5812423710, 5812421720, 5812421710**

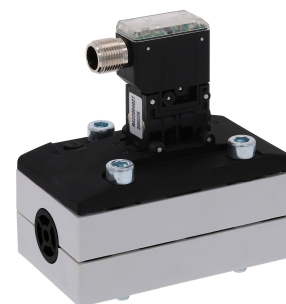
Pin assignments



- 1) not assigned
- 2) Coil 12
- 3) 0 V DC
- 4) Coil 14

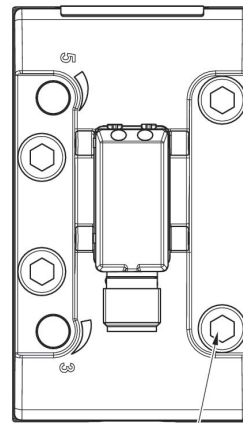
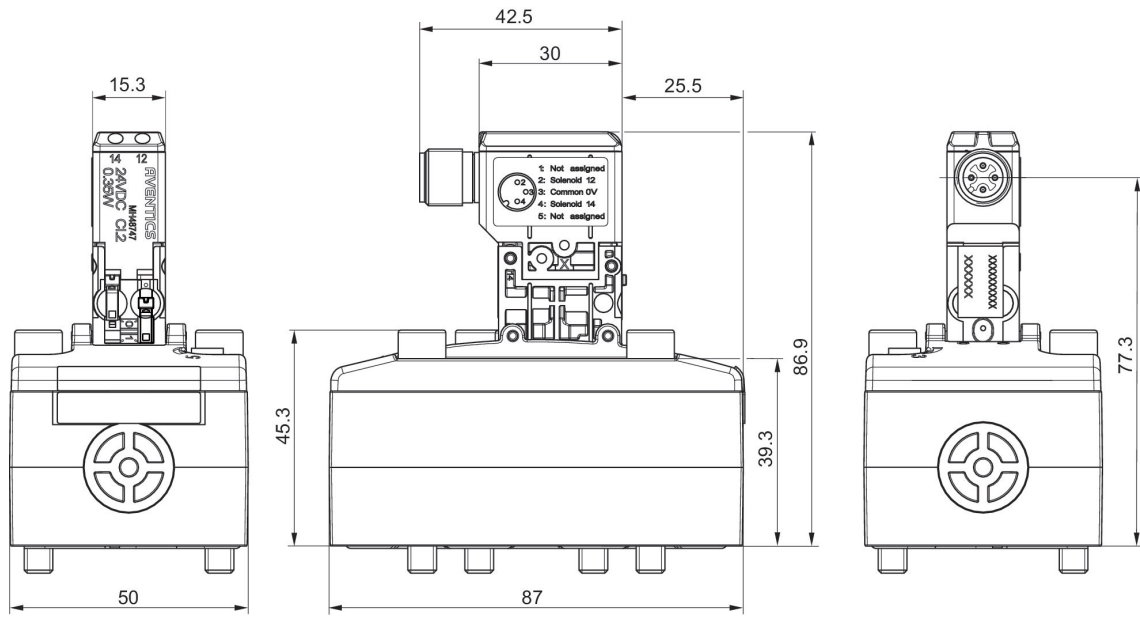
**5/3-directional valve, Series 581, size 2**

4100 l/min  
ISO 5599-1  
Plug  
M12  
Base plate connection  
Electrically  
4-pin  
Base plate ISO 5599-1  
Base plate ISO 5599-1



|                  | Min. working pressure [bar] | Max. working pressure [bar] | Operational voltage | Voltage tolerance DC | Power consumption DC [W] | Pilot    | Throttle      | Manual override | Part No.   |
|------------------|-----------------------------|-----------------------------|---------------------|----------------------|--------------------------|----------|---------------|-----------------|------------|
| Exhausted Center | -0.95                       | 10                          | 24 V                | -10% / +10%          | 0.35                     | External |               | without detent  | 5812522720 |
| Exhausted Center | -0.95                       | 10                          | 24 V                | -10% / +10%          | 0.35                     | External |               | with detent     | 5812522710 |
| Exhausted Center | -0.95                       | 10                          | 24 V                | -10% / +10%          | 0.35                     | Internal |               | without detent  | 5812520720 |
| Exhausted Center | -0.95                       | 10                          | 24 V                | -10% / +10%          | 0.35                     | Internal |               | with detent     | 5812520710 |
| Exhausted Center | -0.95                       | 10                          | 24 V                | -10% / +10%          | 0.35                     | External | with throttle | without detent  | 5812523720 |
| Exhausted Center | -0.95                       | 10                          | 24 V                | -10% / +10%          | 0.35                     | External | with throttle | with detent     | 5812523710 |
| Exhausted Center | -0.95                       | 10                          | 24 V                | -10% / +10%          | 0.35                     | Internal | with throttle | without detent  | 5812521720 |
| Exhausted Center | -0.95                       | 10                          | 24 V                | -10% / +10%          | 0.35                     | Internal | with throttle | with detent     | 5812521710 |

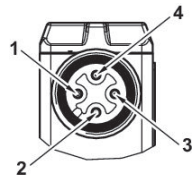
Dimensions



Ma: max. 3.5 Nm (4x)

**5812522720, 5812522710, 5812520720, 5812520710, 5812523720, 5812523710, 5812521720, 5812521710**

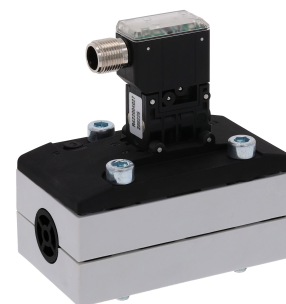
Pin assignments



- 1) not assigned
- 2) Coil 12
- 3) 0 V DC
- 4) Coil 14

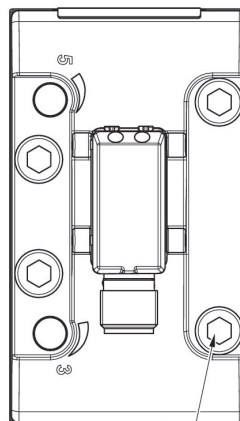
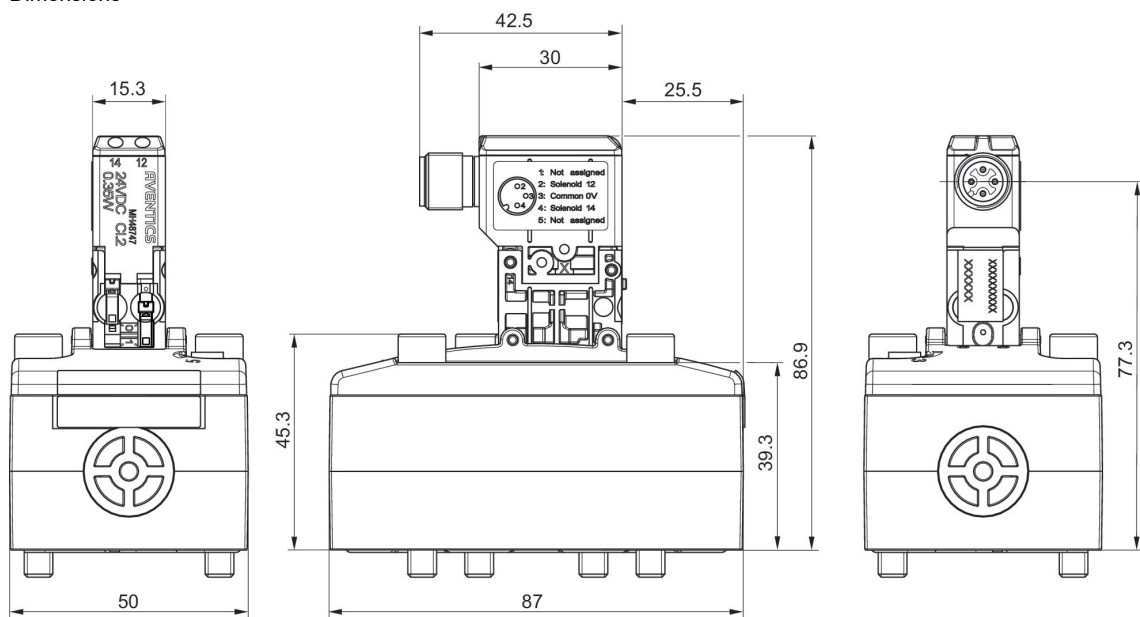
**5/3-directional valve, Series 581, size 2**

4100 l/min  
ISO 5599-1  
Plug  
M12  
Base plate connection  
Electrically  
4-pin  
Base plate ISO 5599-1  
Base plate ISO 5599-1



|                    | Min. working pressure [bar] | Max. working pressure [bar] | Operational voltage | Voltage tolerance DC | Power consumption DC [W] | Pilot    | Throttle      | Manual override | Part No.   |
|--------------------|-----------------------------|-----------------------------|---------------------|----------------------|--------------------------|----------|---------------|-----------------|------------|
| Pressurized Center | -0.95                       | 10                          | 24 V                | -10% / +10%          | 0.35                     | External |               | without detent  | 5812722720 |
| Pressurized Center | -0.95                       | 10                          | 24 V                | -10% / +10%          | 0.35                     | External |               | with detent     | 5812722710 |
| Pressurized Center | -0.95                       | 10                          | 24 V                | -10% / +10%          | 0.35                     | Internal |               | without detent  | 5812720720 |
| Pressurized Center | -0.95                       | 10                          | 24 V                | -10% / +10%          | 0.35                     | Internal |               | with detent     | 5812720710 |
| Pressurized Center | -0.95                       | 10                          | 24 V                | -10% / +10%          | 0.35                     | External | with throttle | without detent  | 5812723720 |
| Pressurized Center | -0.95                       | 10                          | 24 V                | -10% / +10%          | 0.35                     | External | with throttle | with detent     | 5812723710 |
| Pressurized Center | -0.95                       | 10                          | 24 V                | -10% / +10%          | 0.35                     | Internal | with throttle | without detent  | 5812721720 |
| Pressurized Center | -0.95                       | 10                          | 24 V                | -10% / +10%          | 0.35                     | Internal | with throttle | with detent     | 5812721710 |

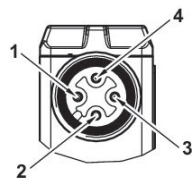
Dimensions



Ma: max. 3.5 Nm (4x)

**5812722720, 5812722710, 5812720720, 5812720710, 5812723720, 5812723710, 5812721720, 5812721710**

Pin assignments



- 1) not assigned
- 2) Coil 12
- 3) 0 V DC
- 4) Coil 14

**5/3-directional valve, Series 581, size 2**

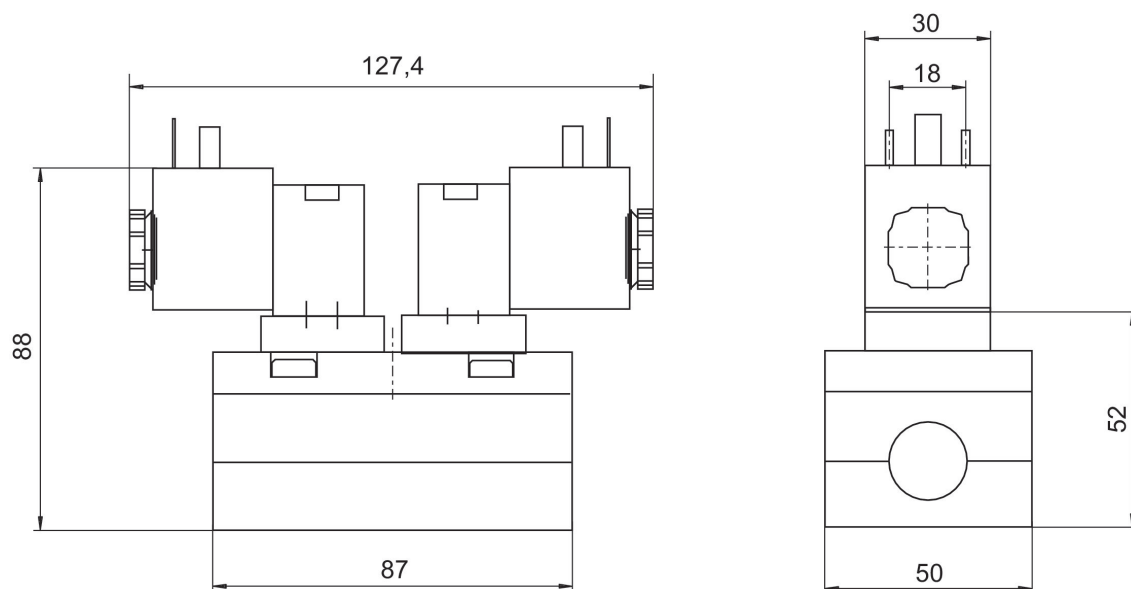
2100 l/min  
ISO 5599-1  
Plug  
EN 175301-803, form A  
Base plate connection  
Internal thread  
Electrically  
Base plate ISO 5599-1  
Base plate ISO 5599-1



|                    | Min. working pressure [bar] | Max. working pressure [bar] | Operational voltage | Operational voltage | Voltage tolerance DC | Power consumption DC [W] | Pilot    | Throttle      | Manual override | Part No.   |
|--------------------|-----------------------------|-----------------------------|---------------------|---------------------|----------------------|--------------------------|----------|---------------|-----------------|------------|
| Closed Center      | 3                           | 16                          | 24 V                |                     | -10% / +10%          | 6.7                      | Internal |               | without         | 5812490530 |
| Closed Center      | 3                           | 16                          |                     | 230 V               |                      |                          | Internal |               | without         | 5812490430 |
| Closed Center      | 3                           | 16                          | 24 V                |                     | -10% / +10%          | 6.7                      | Internal | with throttle | without         | 5812491530 |
| Closed Center      | 3                           | 16                          |                     | 230 V               |                      |                          | Internal | with throttle | without         | 5812491430 |
| Closed Center      | -0.95                       | 16                          | 24 V                |                     | -10% / +10%          | 6.7                      | External |               | without         | 5812492530 |
| Closed Center      | -0.95                       | 16                          |                     | 230 V               |                      |                          | External |               | without         | 5812492430 |
| Closed Center      | -0.95                       | 16                          | 24 V                |                     | -10% / +10%          | 6.7                      | External | with throttle | without         | 5812493530 |
| Closed Center      | -0.95                       | 16                          |                     | 230 V               |                      |                          | External | with throttle | without         | 5812493430 |
| Exhausted Center   | 3                           | 16                          | 24 V                |                     | -10% / +10%          | 6.7                      | Internal |               | without         | 5812590530 |
| Exhausted Center   | 3                           | 16                          |                     | 230 V               |                      |                          | Internal |               | without         | 5812590430 |
| Exhausted Center   | 3                           | 16                          | 24 V                |                     | -10% / +10%          | 6.7                      | Internal | with throttle | without         | 5812591530 |
| Exhausted Center   | 3                           | 16                          |                     | 230 V               |                      |                          | Internal | with throttle | without         | 5812591430 |
| Exhausted Center   | -0.95                       | 16                          | 24 V                |                     | -10% / +10%          | 6.7                      | External |               | without         | 5812592530 |
| Exhausted Center   | -0.95                       | 16                          |                     | 230 V               |                      |                          | External |               | without         | 5812592430 |
| Exhausted Center   | -0.95                       | 16                          | 24 V                |                     | -10% / +10%          | 6.7                      | External | with throttle | without         | 5812593530 |
| Exhausted Center   | -0.95                       | 16                          |                     | 230 V               |                      |                          | External | with throttle | without         | 5812593430 |
| Pressurized Center | 3                           | 16                          | 24 V                |                     | -10% / +10%          | 6.7                      | Internal |               | without         | 5812790530 |

|                    | Min. working pressure [bar] | Max. working pressure [bar] | Operational voltage | Operational voltage | Voltage tolerance DC | Power consumption DC [W] | Pilot    | Throttle      | Manual override | Part No.   |
|--------------------|-----------------------------|-----------------------------|---------------------|---------------------|----------------------|--------------------------|----------|---------------|-----------------|------------|
| Pressurized Center | 3                           | 16                          |                     | 230 V               |                      |                          | Internal |               | without         | 5812790430 |
| Pressurized Center | 3                           | 16                          | 24 V                |                     | -10% / +10%          | 6.7                      | Internal | with throttle | without         | 5812791530 |
| Pressurized Center | 3                           | 16                          |                     | 230 V               |                      |                          | Internal | with throttle | without         | 5812791430 |
| Pressurized Center | -0.95                       | 16                          | 24 V                |                     | -10% / +10%          | 6.7                      | External |               | without         | 5812792530 |
| Pressurized Center | -0.95                       | 16                          |                     | 230 V               |                      |                          | External |               | without         | 5812792430 |
| Pressurized Center | -0.95                       | 16                          | 24 V                |                     | -10% / +10%          | 6.7                      | External | with throttle | without         | 5812793530 |
| Pressurized Center | -0.95                       | 16                          |                     | 230 V               |                      |                          | External | with throttle | without         | 5812793430 |

Dimensions





**5/3-directional valve, Series 581, size 2**

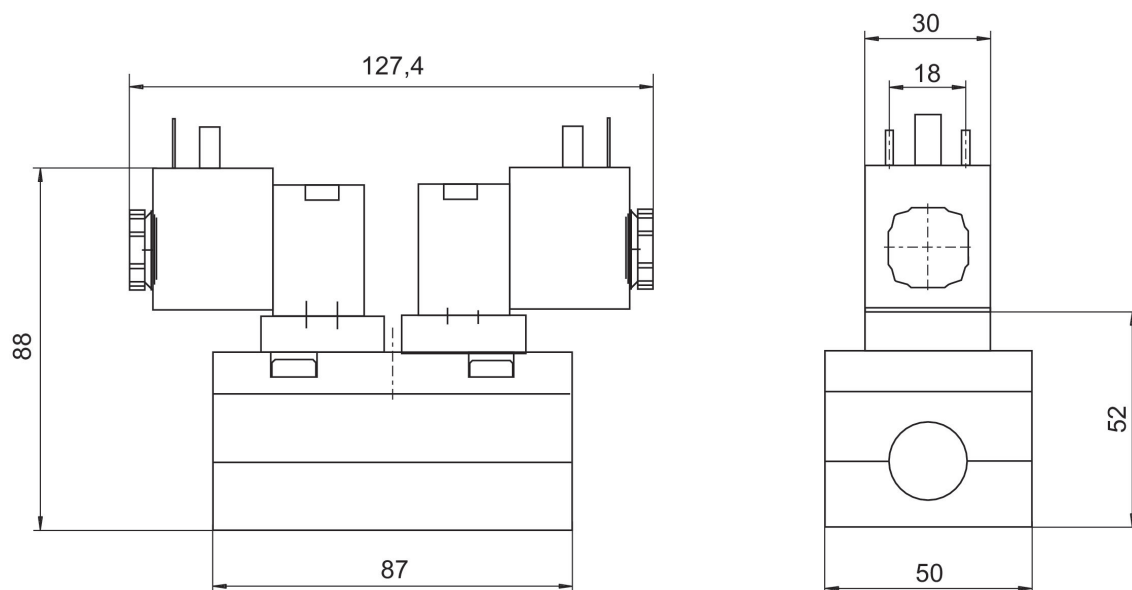
2100 l/min  
ISO 5599-1  
Plug  
EN 175301-803, form A  
Base plate connection  
Internal thread  
Electrically  
Base plate ISO 5599-1  
Base plate ISO 5599-1



|                  | Min. working pressure [bar] | Max. working pressure [bar] | Operational voltage | Operational voltage | Voltage tolerance DC | Power consumption DC [W] | Pilot    | Throttle      | Manual override             | Compatibility index | Part No.   |
|------------------|-----------------------------|-----------------------------|---------------------|---------------------|----------------------|--------------------------|----------|---------------|-----------------------------|---------------------|------------|
| Closed Center    | 3                           | 10                          | 24 V                |                     | -10% / +10%          | 2                        | Internal |               | with detent, without detent | 14                  | 5812490650 |
| Closed Center    | 3                           | 10                          |                     | 230 V               |                      |                          | Internal |               | with detent, without detent | 14                  | 5812490450 |
| Closed Center    | 3                           | 10                          | 24 V                |                     | -10% / +10%          | 2                        | Internal | with throttle | with detent, without detent | 14                  | 5812491650 |
| Closed Center    | 3                           | 10                          |                     | 230 V               |                      |                          | Internal | with throttle | with detent, without detent | 14                  | 5812491450 |
| Closed Center    | -0.95                       | 10                          | 24 V                |                     | -10% / +10%          | 2                        | External |               | with detent, without detent | 14                  | 5812492650 |
| Closed Center    | -0.95                       | 10                          |                     | 230 V               |                      |                          | External |               | with detent, without detent | 14                  | 5812492450 |
| Closed Center    | -0.95                       | 10                          | 24 V                |                     | -10% / +10%          | 2                        | External | with throttle | with detent, without detent | 14                  | 5812493650 |
| Closed Center    | -0.95                       | 10                          |                     | 230 V               |                      |                          | External | with throttle | with detent, without detent | 14                  | 5812493450 |
| Exhausted Center | 3                           | 10                          | 24 V                |                     | -10% / +10%          | 2                        | Internal |               | with detent, without detent | 14                  | 5812590650 |
| Exhausted Center | 3                           | 10                          |                     | 230 V               |                      |                          | Internal |               | with detent, without detent | 14                  | 5812590450 |
| Exhausted Center | 3                           | 10                          | 24 V                |                     | -10% / +10%          | 2                        | Internal | with throttle | with detent, without detent | 14                  | 5812591650 |
| Exhausted Center | 3                           | 10                          |                     | 230 V               |                      |                          | Internal | with throttle | with detent, without detent | 14                  | 5812591450 |
| Exhausted Center | -0.95                       | 10                          | 24 V                |                     | -10% / +10%          | 2                        | External |               | with detent, without detent | 14                  | 5812592650 |

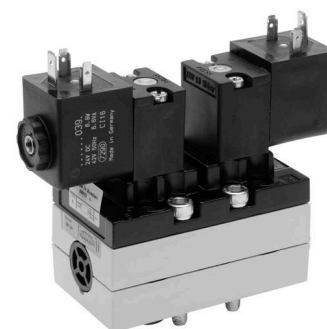
|                    | Min. working pressure [bar] | Max. working pressure [bar] | Operational voltage | Operational voltage | Voltage tolerance DC | Power consumption DC [W] | Pilot    | Throttle      | Manual override             | Compatibility index | Part No.   |
|--------------------|-----------------------------|-----------------------------|---------------------|---------------------|----------------------|--------------------------|----------|---------------|-----------------------------|---------------------|------------|
| Exhausted Center   | -0.95                       | 10                          |                     | 230 V               |                      |                          | External |               | with detent, without detent | 14                  | 5812592450 |
| Exhausted Center   | -0.95                       | 10                          | 24 V                |                     | -10% / +10%          | 2                        | External | with throttle | with detent, without detent | 14                  | 5812593650 |
| Exhausted Center   | -0.95                       | 10                          |                     | 230 V               |                      |                          | External | with throttle | with detent, without detent | 14                  | 5812593450 |
| Pressurized Center | 3                           | 10                          | 24 V                |                     | -10% / +10%          | 2                        | Internal |               | with detent, without detent | 14                  | 5812790650 |
| Pressurized Center | 3                           | 10                          |                     | 230 V               |                      |                          | Internal |               | with detent, without detent | 14                  | 5812790450 |
| Pressurized Center | 3                           | 10                          | 24 V                |                     | -10% / +10%          | 2                        | Internal | with throttle | with detent, without detent | 14                  | 5812791650 |
| Pressurized Center | 3                           | 10                          |                     | 230 V               |                      |                          | Internal | with throttle | with detent, without detent | 14                  | 5812791450 |
| Pressurized Center | -0.95                       | 10                          | 24 V                |                     | -10% / +10%          | 2                        | External |               | with detent, without detent | 14                  | 5812792650 |
| Pressurized Center | -0.95                       | 10                          |                     | 230 V               |                      |                          | External |               | with detent, without detent | 14                  | 5812792450 |
| Pressurized Center | -0.95                       | 10                          | 24 V                |                     | -10% / +10%          | 2                        | External | with throttle | with detent, without detent | 14                  | 5812793650 |
| Pressurized Center | -0.95                       | 10                          |                     | 230 V               |                      |                          | External | with throttle | with detent, without detent | 14                  | 5812793450 |

Dimensions



**5/3-directional valve, Series 581, size 2**

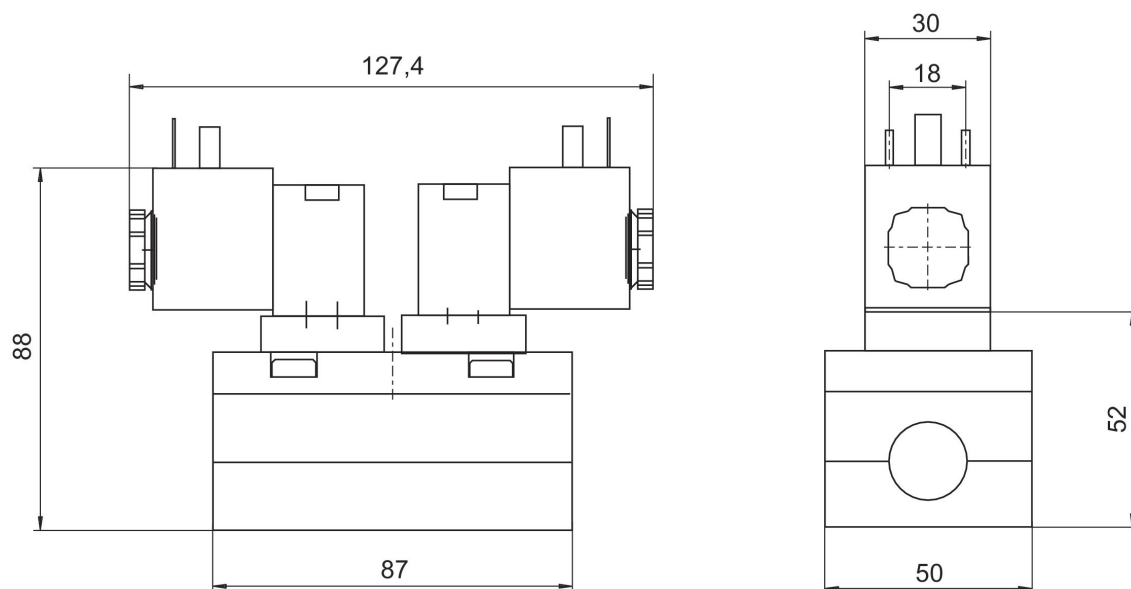
2100 l/min  
ISO 5599-1  
Plug  
EN 175301-803, form A  
Base plate connection  
Internal thread  
Electrically  
Base plate ISO 5599-1  
Base plate ISO 5599-1



|                    | Min. working pressure [bar] | Max. working pressure [bar] | Operational voltage | Operational voltage | Voltage tolerance DC | Power consumption DC [W] | Pilot    | Throttle      | Manual override | Part No.   |
|--------------------|-----------------------------|-----------------------------|---------------------|---------------------|----------------------|--------------------------|----------|---------------|-----------------|------------|
| Closed Center      | 3                           | 16                          | 24 V                | 42 V                | -10% / +10%          | 6.7                      | Internal |               | without detent  | 5812490540 |
| Closed Center      | 3                           | 16                          |                     | 230 V               |                      |                          | Internal |               | without detent  | 5812490440 |
| Closed Center      | 3                           | 16                          | 24 V                | 42 V                | -10% / +10%          | 6.7                      | Internal | with throttle | without detent  | 5812491540 |
| Closed Center      | 3                           | 16                          |                     | 230 V               |                      |                          | Internal | with throttle | without detent  | 5812491440 |
| Closed Center      | -0.95                       | 16                          | 24 V                | 42 V                | -10% / +10%          | 6.7                      | External |               | without detent  | 5812492540 |
| Closed Center      | -0.95                       | 16                          |                     | 230 V               |                      |                          | External |               | without detent  | 5812492440 |
| Closed Center      | -0.95                       | 16                          | 24 V                | 42 V                | -10% / +10%          | 6.7                      | External | with throttle | without detent  | 5812493540 |
| Closed Center      | -0.95                       | 16                          |                     | 230 V               |                      |                          | External | with throttle | without detent  | 5812493440 |
| Exhausted Center   | 3                           | 16                          | 24 V                | 42 V                | -10% / +10%          | 6.7                      | Internal |               | without detent  | 5812590540 |
| Exhausted Center   | 3                           | 16                          |                     | 230 V               |                      |                          | Internal |               | without detent  | 5812590440 |
| Exhausted Center   | 3                           | 16                          | 24 V                | 42 V                | -10% / +10%          | 6.7                      | Internal | with throttle | without detent  | 5812591540 |
| Exhausted Center   | 3                           | 16                          |                     | 230 V               |                      |                          | Internal | with throttle | without detent  | 5812591440 |
| Exhausted Center   | -0.95                       | 16                          | 24 V                | 42 V                | -10% / +10%          | 6.7                      | External |               | without detent  | 5812592540 |
| Exhausted Center   | -0.95                       | 16                          |                     | 230 V               |                      |                          | External |               | without detent  | 5812592440 |
| Exhausted Center   | -0.95                       | 16                          | 24 V                | 42 V                | -10% / +10%          | 6.7                      | External | with throttle | without detent  | 5812593540 |
| Exhausted Center   | -0.95                       | 16                          |                     | 230 V               |                      |                          | External | with throttle | without detent  | 5812593440 |
| Pressurized Center | 3                           | 16                          | 24 V                | 42 V                | -10% / +10%          | 6.7                      | Internal |               | without detent  | 5812790540 |

|                    | Min. working pressure [bar] | Max. working pressure [bar] | Operational voltage | Operational voltage | Voltage tolerance DC | Power consumption DC [W] | Pilot    | Throttle      | Manual override | Part No.   |
|--------------------|-----------------------------|-----------------------------|---------------------|---------------------|----------------------|--------------------------|----------|---------------|-----------------|------------|
| Pressurized Center | 3                           | 16                          |                     | 230 V               |                      |                          | Internal |               | without detent  | 5812790440 |
| Pressurized Center | 3                           | 16                          | 24 V                | 42 V                | -10% / +10%          | 6.7                      | Internal | with throttle | without detent  | 5812791540 |
| Pressurized Center | 3                           | 16                          |                     | 230 V               |                      |                          | Internal | with throttle | without detent  | 5812791440 |
| Pressurized Center | -0.95                       | 16                          | 24 V                | 42 V                | -10% / +10%          | 6.7                      | External |               | without detent  | 5812792540 |
| Pressurized Center | -0.95                       | 16                          |                     | 230 V               |                      |                          | External |               | without detent  | 5812792440 |
| Pressurized Center | -0.95                       | 16                          | 24 V                | 42 V                | -10% / +10%          | 6.7                      | External | with throttle | without detent  | 5812793540 |
| Pressurized Center | -0.95                       | 16                          |                     | 230 V               |                      |                          | External | with throttle | without detent  | 5812793440 |

Dimensions



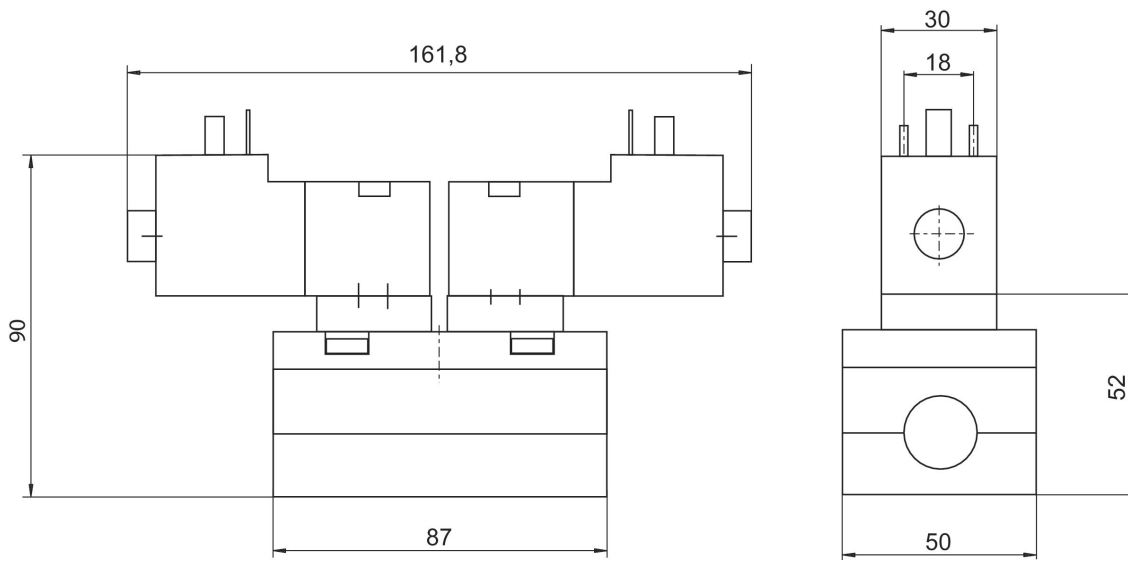
**5/3-directional valve, Series 581, size 2**

2100 l/min  
ISO 5599-1  
Plug  
EN 175301-803, form A  
Base plate connection  
Internal thread  
Electrically  
Base plate ISO 5599-1  
Base plate ISO 5599-1



|                    | Min. working pressure [bar] | Max. working pressure [bar] | Operational voltage | Voltage tolerance DC | Power consumption DC [W] | Pilot    | Throttle      | Manual override | Part No.   |
|--------------------|-----------------------------|-----------------------------|---------------------|----------------------|--------------------------|----------|---------------|-----------------|------------|
| Closed Center      | 3                           | 10                          | 24 V                | -10% / +10%          | 6                        | Internal |               | without detent  | 5812490190 |
| Closed Center      | 3                           | 10                          | 24 V                | -10% / +10%          | 6                        | Internal | with throttle | without detent  | 5812491190 |
| Closed Center      | -0.95                       | 10                          | 24 V                | -10% / +10%          | 6                        | External |               | without detent  | 5812492190 |
| Closed Center      | -0.95                       | 10                          | 24 V                | -10% / +10%          | 6                        | External | with throttle | without detent  | 5812493190 |
| Exhausted Center   | 3                           | 10                          | 24 V                | -10% / +10%          | 6                        | Internal |               | without detent  | 5812590190 |
| Exhausted Center   | 3                           | 10                          | 24 V                | -10% / +10%          | 6                        | Internal | with throttle | without detent  | 5812591190 |
| Exhausted Center   | -0.95                       | 10                          | 24 V                | -10% / +10%          | 6                        | External |               | without detent  | 5812592190 |
| Exhausted Center   | -0.95                       | 10                          | 24 V                | -10% / +10%          | 6                        | External | with throttle | without detent  | 5812593190 |
| Pressurized Center | 3                           | 10                          | 24 V                | -10% / +10%          | 6                        | Internal |               | without detent  | 5812790190 |
| Pressurized Center | 3                           | 10                          | 24 V                | -10% / +10%          | 6                        | Internal | with throttle | without detent  | 5812791190 |
| Pressurized Center | -0.95                       | 10                          | 24 V                | -10% / +10%          | 6                        | External |               | without detent  | 5812792190 |
| Pressurized Center | -0.95                       | 10                          | 24 V                | -10% / +10%          | 6                        | External | with throttle | without detent  | 5812793190 |

Dimensions



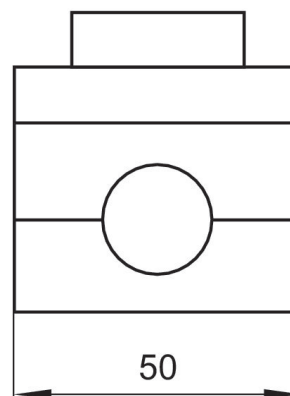
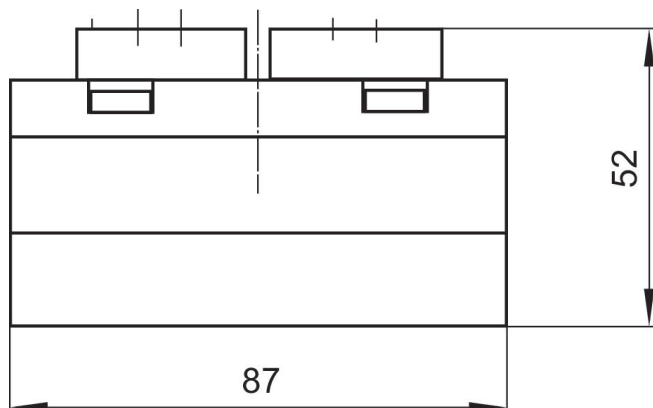
**5/3-directional valve, Series 581, size 2**

2100 l/min  
ISO 5599-1  
Base plate connection  
Electrically  
Basic valve without pilot valve  
Base plate ISO 5599-1  
Base plate ISO 5599-1



|                    | Min. working pressure [bar] | Max. working pressure [bar] | Pilot              | Part No.   |
|--------------------|-----------------------------|-----------------------------|--------------------|------------|
| Closed Center      | -0.95                       | 16                          | External, Internal | 5812480100 |
| Exhausted Center   | -0.95                       | 16                          | External, Internal | 5812580100 |
| Pressurized Center | -0.95                       | 16                          | External, Internal | 5812780100 |

Dimensions



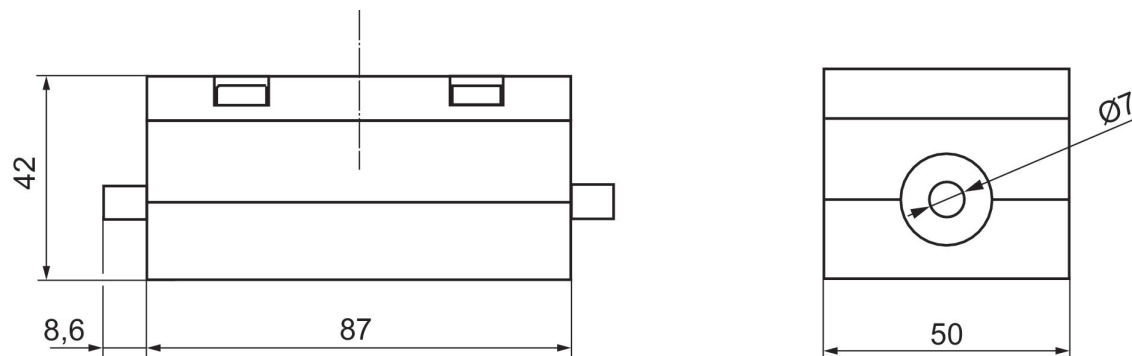
**5/2-directional valve, Series 581, size 2**

2700 l/min  
Double Air Pilot  
ISO 5599-1  
Base plate connection  
Pneumatically  
Base plate ISO 5599-1  
Base plate ISO 5599-1



| Min. working pressure [bar] | Max. working pressure [bar] | Manual override | Part No.   |
|-----------------------------|-----------------------------|-----------------|------------|
| -0.95                       | 16                          | with detent     | 5812330100 |

Dimensions



With manual override



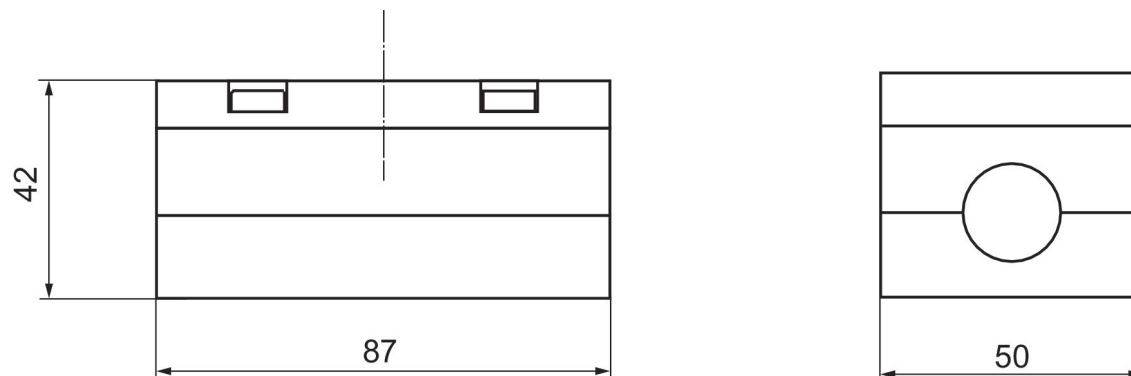
**5/2-directional valve, Series 581, size 2**

2700 l/min  
Single Air Pilot  
ISO 5599-1  
Base plate connection  
Pneumatically  
Base plate ISO 5599-1  
Base plate ISO 5599-1



| Min. working pressure [bar] | Max. working pressure [bar] | Part No.   |
|-----------------------------|-----------------------------|------------|
| -0.95                       | 16                          | 5812130100 |

Dimensions



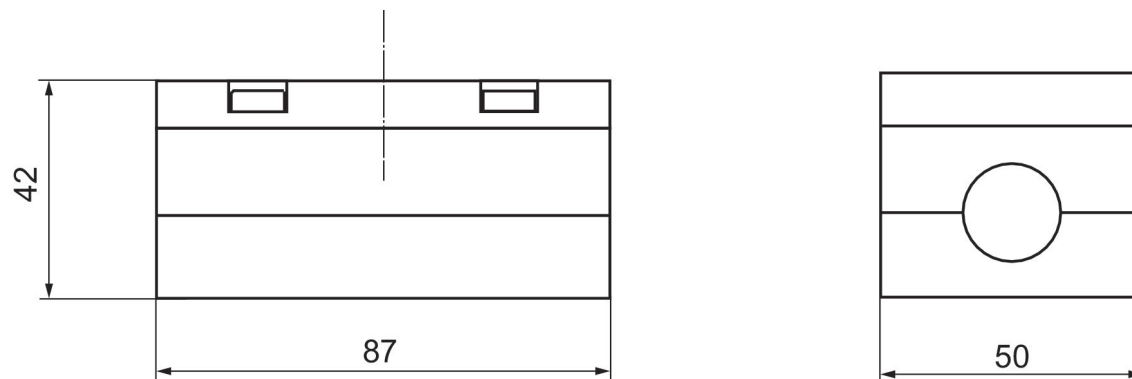
**5/2-directional valve, Series 581, size 2**

2700 l/min  
ISO 5599-1  
Base plate connection  
Pneumatically  
Base plate ISO 5599-1  
Base plate ISO 5599-1



| Min. working pressure [bar] | Max. working pressure [bar] | Part No.   |
|-----------------------------|-----------------------------|------------|
| -0.95                       | 16                          | 5812630100 |

Dimensions



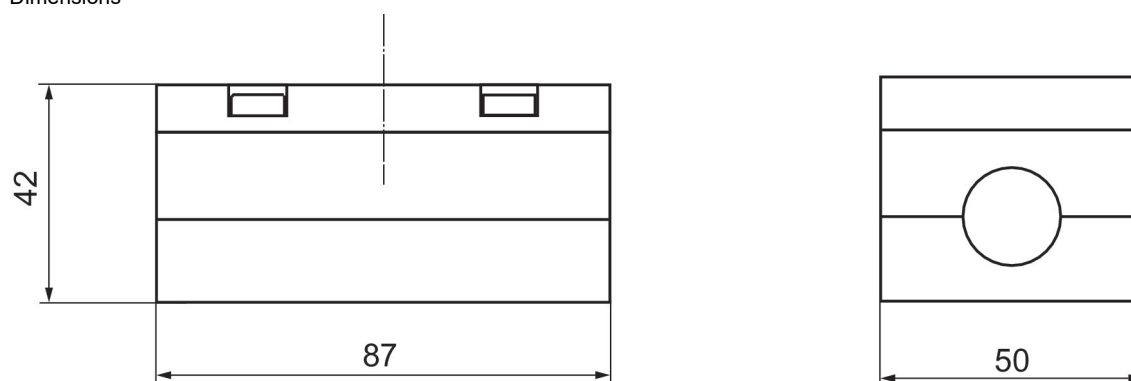
**5/2-directional valve, Series 581, size 2**

2700 l/min  
Double Air Pilot  
ISO 5599-1  
Base plate connection  
Pneumatically  
Base plate ISO 5599-1  
Base plate ISO 5599-1



| Min. working pressure [bar] | Max. working pressure [bar] | Throttle      | Part No.   |
|-----------------------------|-----------------------------|---------------|------------|
| -0.95                       | 16                          |               | 5812230000 |
| -0.95                       | 16                          | with throttle | 5812231000 |

Dimensions



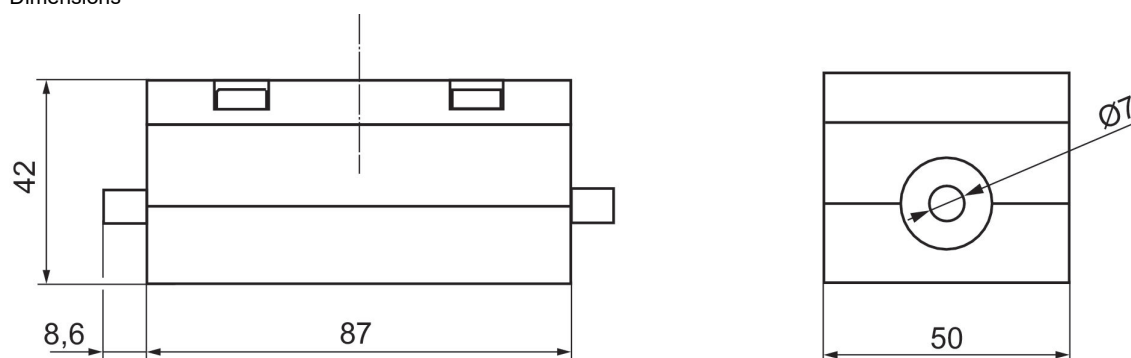
**5/2-directional valve, Series 581, size 2**

2700 l/min  
Double Air Pilot  
ISO 5599-1  
Base plate connection  
Pneumatically  
Base plate ISO 5599-1  
Base plate ISO 5599-1



| Min. working pressure [bar] | Max. working pressure [bar] | Throttle      | Manual override | Part No.   |
|-----------------------------|-----------------------------|---------------|-----------------|------------|
| -0.95                       | 16                          |               | with detent     | 5812330000 |
| -0.95                       | 16                          | with throttle | with detent     | 5812331000 |

Dimensions



With manual override

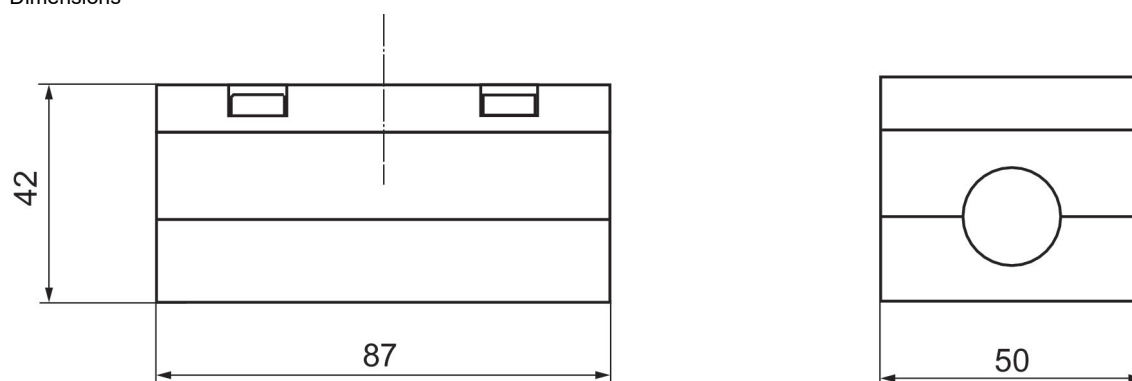
**5/2-directional valve, Series 581, size 2**

2700 l/min  
Single Air Pilot  
ISO 5599-1  
Base plate connection  
Pneumatically  
Base plate ISO 5599-1  
Base plate ISO 5599-1



| Min. working pressure [bar] | Max. working pressure [bar] | Throttle      | Part No.   |
|-----------------------------|-----------------------------|---------------|------------|
| -0.95                       | 16                          |               | 5812130000 |
| -0.95                       | 16                          | with throttle | 5812131000 |

Dimensions



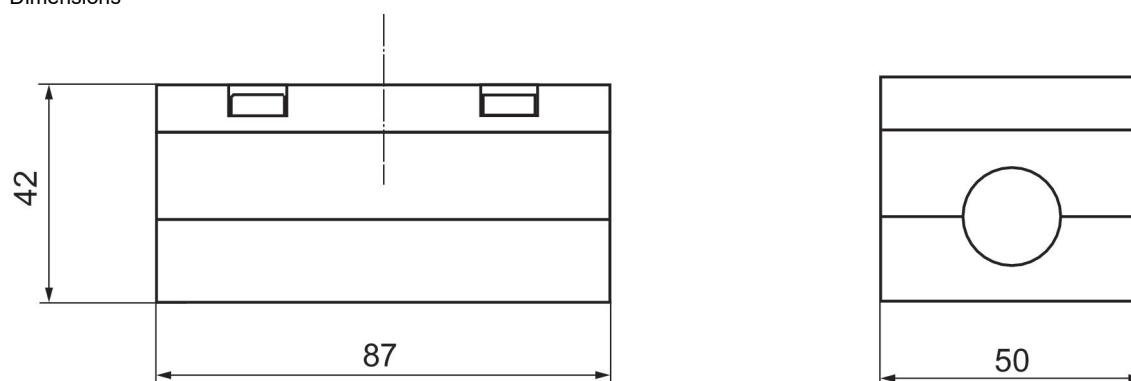
**5/2-directional valve, Series 581, size 2**

2700 l/min  
ISO 5599-1  
Base plate connection  
Pneumatically  
Base plate ISO 5599-1  
Base plate ISO 5599-1



| Min. working pressure [bar] | Max. working pressure [bar] | Throttle      | Part No.   |
|-----------------------------|-----------------------------|---------------|------------|
| -0.95                       | 16                          |               | 5812630000 |
| -0.95                       | 16                          | with throttle | 5812631000 |

Dimensions



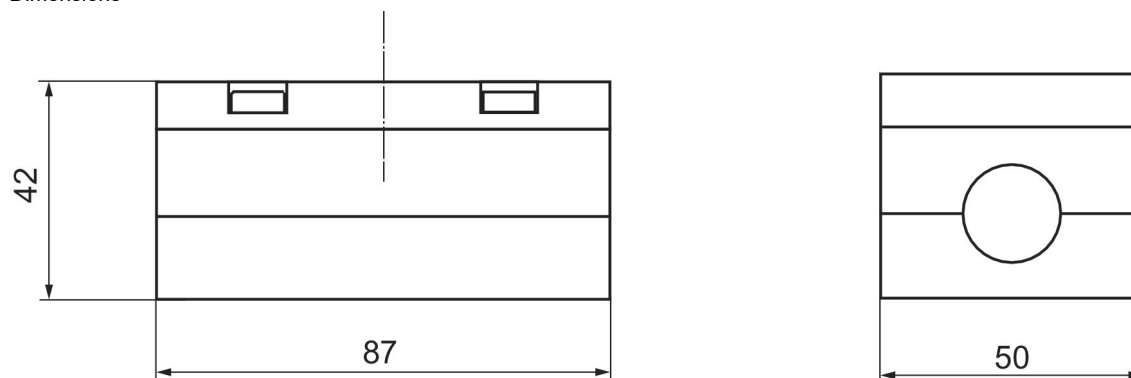
**5/3-directional valve, Series 581, size 2**

2100 l/min  
ISO 5599-1  
Base plate connection  
Pneumatically  
Base plate ISO 5599-1  
Base plate ISO 5599-1



|                    | Min. working pressure [bar] | Max. working pressure [bar] | Part No.   |
|--------------------|-----------------------------|-----------------------------|------------|
| Closed Center      | -0.95                       | 16                          | 5812430100 |
| Exhausted Center   | -0.95                       | 16                          | 5812530100 |
| Pressurized Center | -0.95                       | 16                          | 5812730100 |

Dimensions



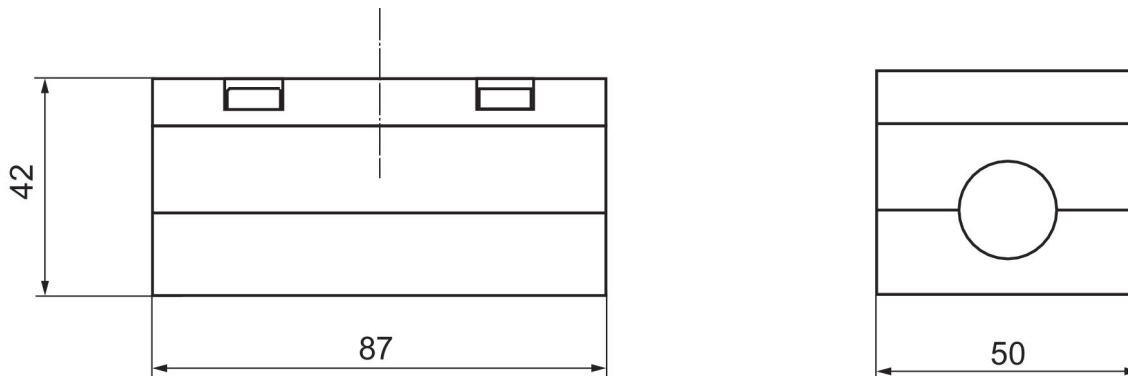
**5/3-directional valve, Series 581, size 2**

2100 l/min  
ISO 5599-1  
Base plate connection  
Pneumatically  
Base plate ISO 5599-1  
Base plate ISO 5599-1



|                    | Min. working pressure [bar] | Max. working pressure [bar] | Throttle      | Part No.   |
|--------------------|-----------------------------|-----------------------------|---------------|------------|
| Closed Center      | -0.95                       | 16                          |               | 5812430000 |
| Closed Center      | -0.95                       | 16                          | with throttle | 5812431000 |
| Exhausted Center   | -0.95                       | 16                          |               | 5812530000 |
| Exhausted Center   | -0.95                       | 16                          | with throttle | 5812531000 |
| Pressurized Center | -0.95                       | 16                          |               | 5812730000 |
| Pressurized Center | -0.95                       | 16                          | with throttle | 5812731000 |

Dimensions





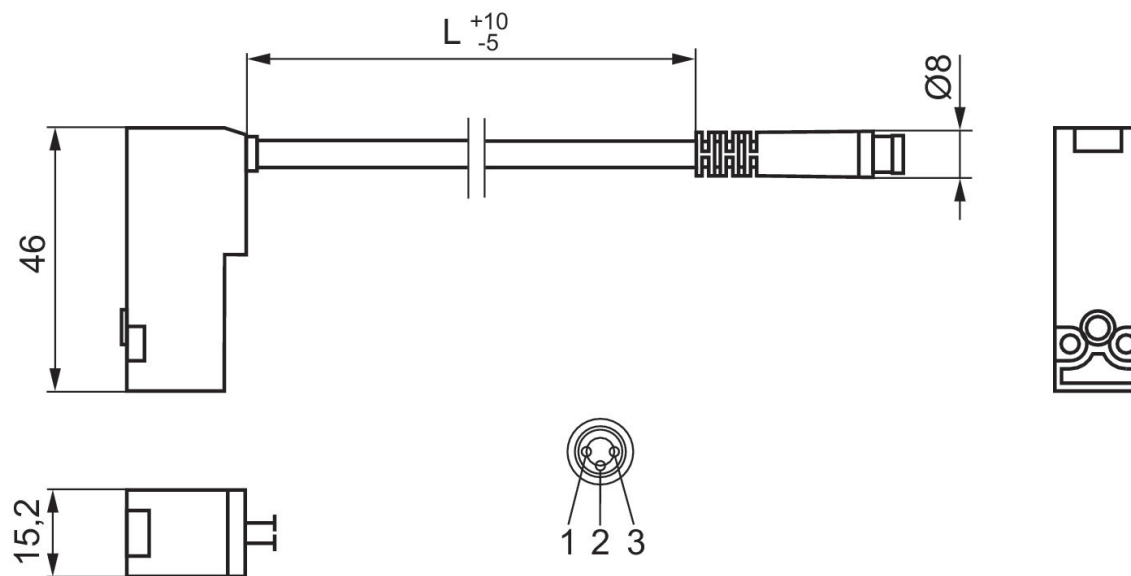
**Pilot valve**

Electrically



| Min. working pressure [bar] | Max. working pressure [bar] | Operational voltage | Power consumption DC [W] | Manual override | Part No.   |
|-----------------------------|-----------------------------|---------------------|--------------------------|-----------------|------------|
| 0                           | 10                          | 24 V                | 2.2                      | without detent  | 0493833308 |
| 0                           | 10                          | 24 V                | 2.2                      | without detent  | 0493832506 |
| 0                           | 10                          | 24 V                | 2.2                      | without detent  | 0493833103 |
| 0                           | 10                          | 24 V                | 2.2                      | without detent  | 0493838601 |

Dimensions



Pin assignment 1) +24 V 2) ground 3) 0 V

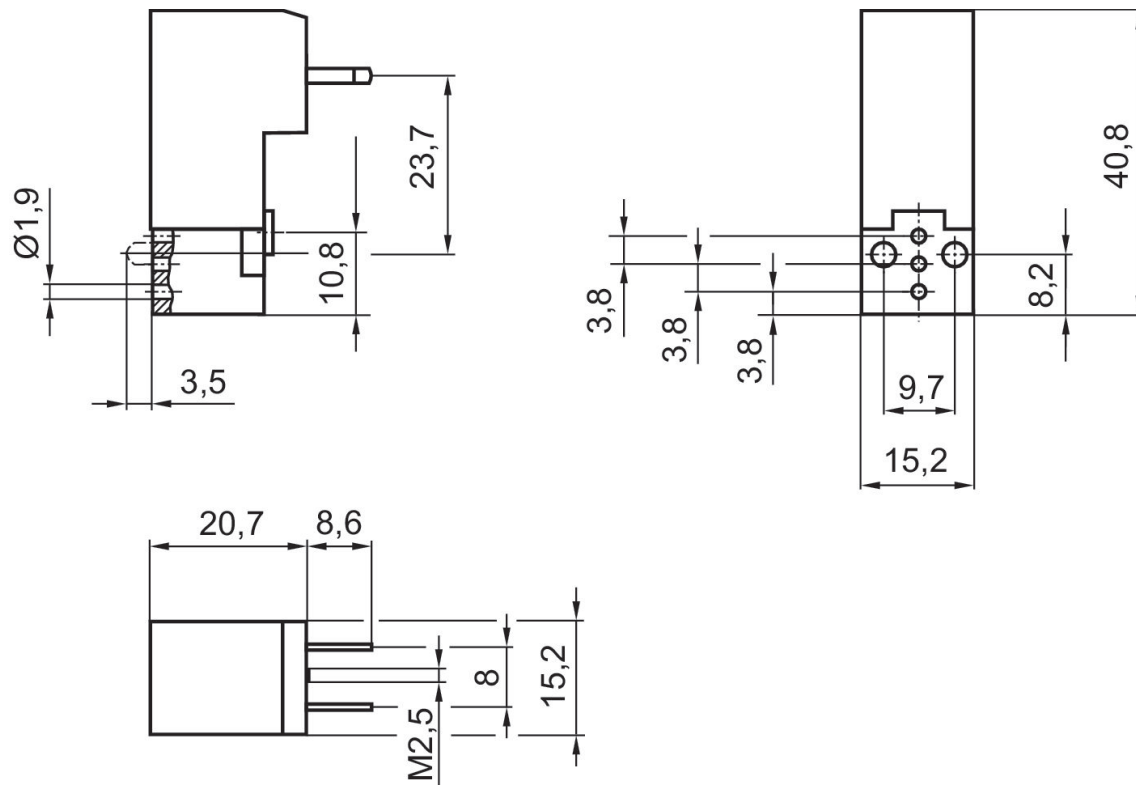
**Pilot valve**

Electrically



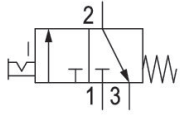
| Min. working pressure [bar] | Max. working pressure [bar] | Operational voltage | Power consumption DC [W] | Manual override | Part No.   |
|-----------------------------|-----------------------------|---------------------|--------------------------|-----------------|------------|
| 0                           | 10                          | 24 V                | 2                        | without detent  | 0493833502 |

Dimensions



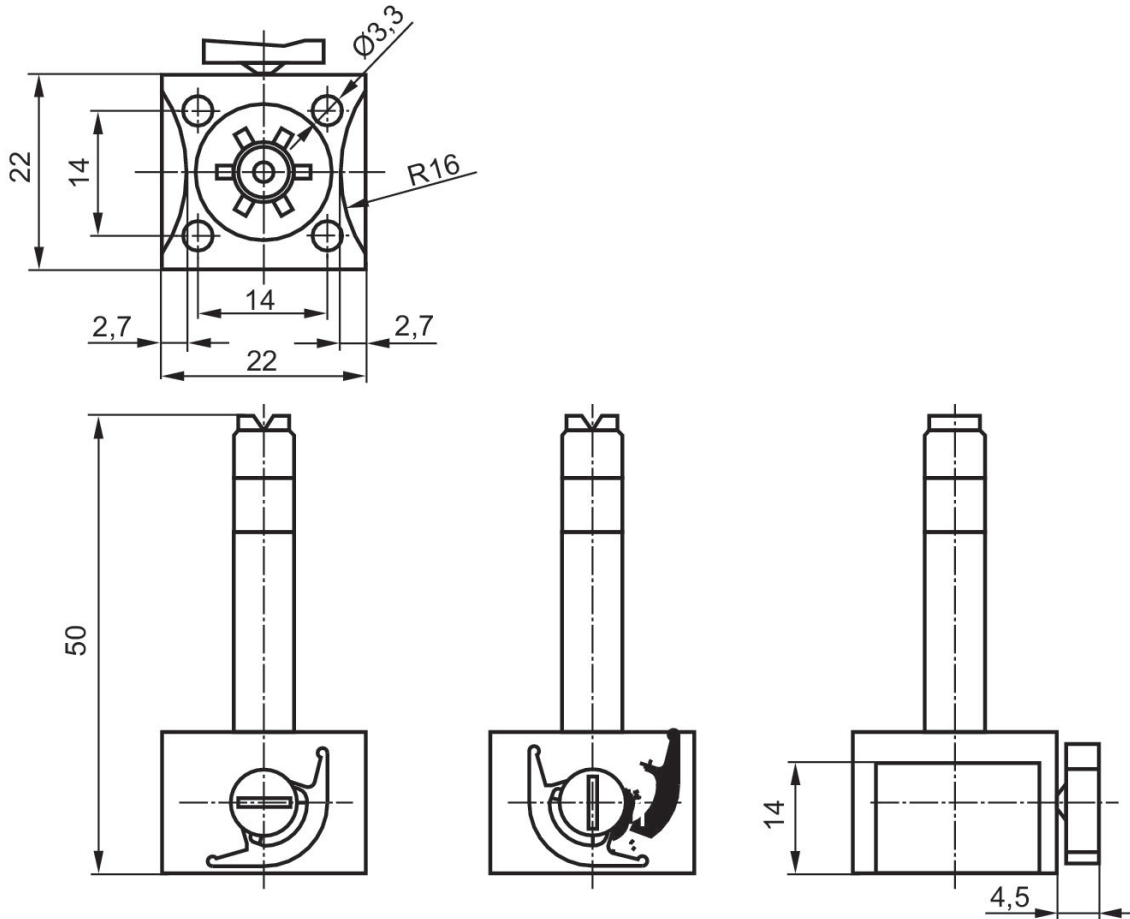
**Pilot valve**

Electrically



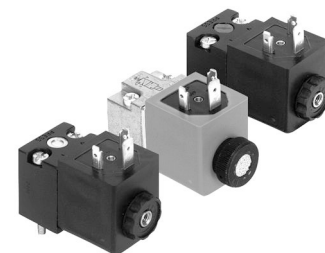
| Min. working pressure [bar] | Max. working pressure [bar] | Operational voltage | Operational voltage | Operational voltage | Power consumption DC [W] | Manual override | Part No.   |
|-----------------------------|-----------------------------|---------------------|---------------------|---------------------|--------------------------|-----------------|------------|
| 0                           | 10                          | 24 V                | 230 V               | 110 V               | 5                        | with detent     | 0493818805 |
| 0                           | 10                          | 24 V                |                     |                     | 2                        | with detent     | 0493818902 |

Dimensions



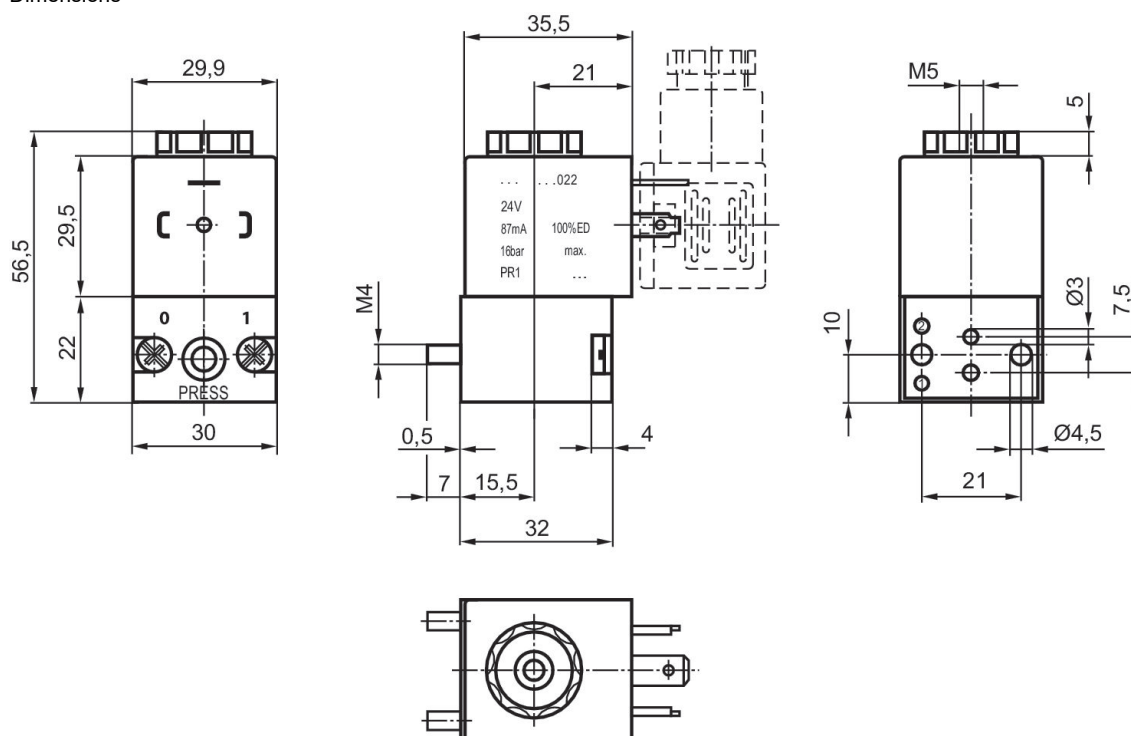
**Pilot valve**

CNOMO / NFE 49-003-1  
Electrically



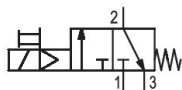
| Min. working pressure [bar] | Max. working pressure [bar] | Operational voltage | Operational voltage | Voltage tolerance DC | Power consumption DC [W] | Part No.   |
|-----------------------------|-----------------------------|---------------------|---------------------|----------------------|--------------------------|------------|
| 0                           | 10                          |                     | 230 V               |                      |                          | 5428110080 |
| 0                           | 10                          | 24 V                |                     | -10% / +10%          | 2                        | 5420890020 |
| 0                           | 16                          | 24 V                |                     | -10% / +10%          | 6.7                      | 5420850020 |
| 0                           | 16                          |                     | 230 V               |                      |                          | 5428150080 |
| 0                           | 10                          | 48 V                |                     | -10% / +10%          | 2                        | 5420890030 |
| 0                           | 10                          | 110 V               |                     | -10% / +10%          | 2                        | 5420890070 |
| 0                           | 10                          | 220 V               |                     | -10% / +10%          | 2                        | 5420890080 |
| 0                           | 10                          |                     | 24 V                |                      |                          | 5428110020 |
| 0                           | 10                          |                     | 48 V                |                      |                          | 5428110040 |
| 0                           | 10                          |                     | 110 V               |                      |                          | 5428110070 |

**Dimensions**



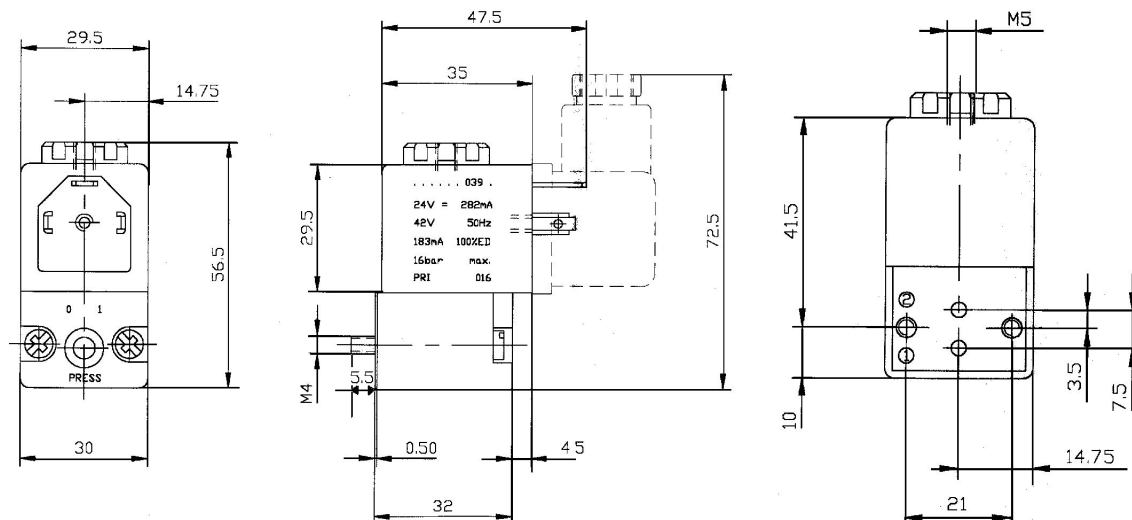
**3/2-directional valve**

Electrically



| Operational voltage | Power consumption DC [W] | Manual override | Part No.   |
|---------------------|--------------------------|-----------------|------------|
| 24 V DC             | 6.7                      | without detent  | 5420800390 |
| 230 V AC            |                          | without detent  | 5428200380 |
| 110 V AC            |                          | without detent  | 5428200370 |

**Dimensions**



**3/2-directional valve, Series DO30**

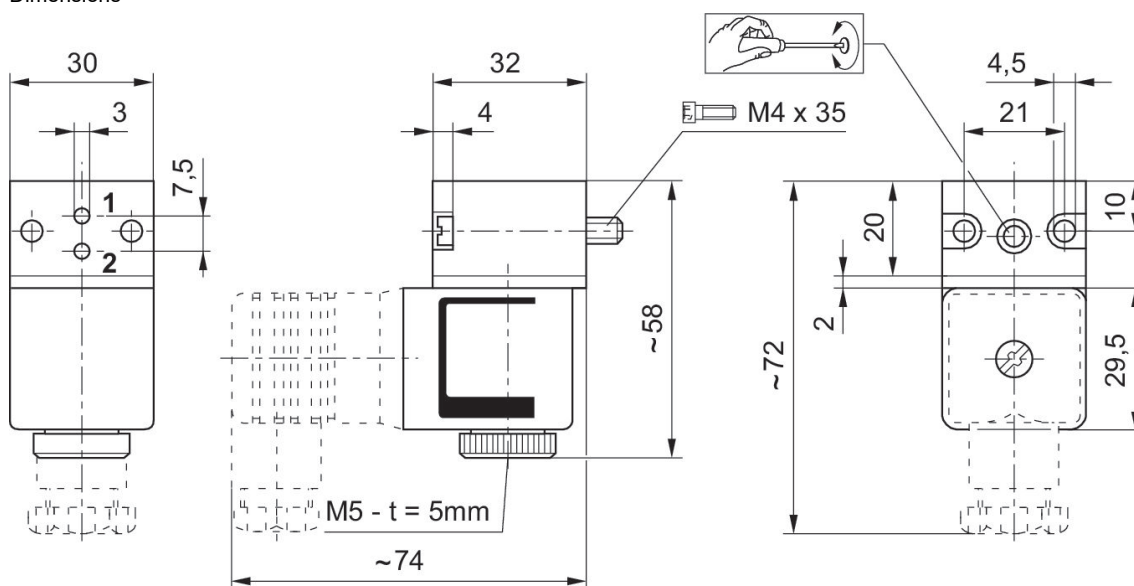
CNOMO / NFE 49-003-1  
Plug  
EN 175301-803, form A  
flange  
Internal thread  
Electrically



| Valve function | Basic valve equipment    | Switching principle     | Compressed air connection | Operational voltage | Power consumption DC [W] | Manual override | Nominal flow Qn 1 to 2 [l/min] | Compatibility index | Part No.   |
|----------------|--------------------------|-------------------------|---------------------------|---------------------|--------------------------|-----------------|--------------------------------|---------------------|------------|
| NC             |                          | 3/2, with spring return | CNOMO                     | 24 V AC             |                          | without detent  | 68                             | 15                  | 0820019527 |
| NC             |                          | 3/2, with spring return | CNOMO                     | 24 V DC             | 4.5                      | without detent  | 68                             | 15                  | 0820019526 |
| NC             |                          | 3/2, with spring return | CNOMO                     | 24 V DC             | 2.7                      | without detent  | 54                             | 14                  | 0820019529 |
| NC             |                          | 3/2, with spring return | CNOMO                     | 110 V AC            |                          | without detent  | 68                             | 15                  | 0820019528 |
| NC             |                          | 3/2, with spring return | CNOMO                     | 230 V AC            |                          | without detent  | 68                             | 15                  | 0820019525 |
| NC             | Basic valve without coil | 3/2, with spring return | CNOMO                     |                     |                          | without detent  | 68                             | 15                  | 0820019985 |
| NC             | Basic valve without coil | 3/2, with spring return | CNOMO                     |                     |                          | without detent  | 54                             | 14                  | 0820019986 |
| NC             | Basic valve without coil | 3/2, with spring return | CNOMO                     |                     |                          | without detent  | 72                             | 15                  | 0820019987 |
| NC             | Basic valve without coil | 3/2, with spring return | CNOMO                     |                     |                          | with detent     | 72                             | 15                  | 0820019982 |
| NC             |                          | 3/2, with spring return | CNOMO                     | 24 V AC             |                          | with detent     | 65                             | 15                  | 0820019502 |
| NC             |                          | 3/2, with spring return | CNOMO                     | 24 V DC             | 4.5                      | with detent     | 65                             | 15                  | 0820019501 |
| NC             |                          | 3/2, with spring return | CNOMO                     | 24 V DC             | 2.7                      | with detent     | 54                             | 14                  | 0820019504 |
| NC             |                          | 3/2, with spring return | CNOMO                     | 110 V AC            |                          | with detent     | 65                             | 15                  | 0820019503 |

| Valve function | Basic valve equipment    | Switching principle     | Compressed air connection | Operational voltage | Power consumption DC [W] | Manual override | Nominal flow Qn 1 to 2 [l/min] | Compatibility index | Part No.   |
|----------------|--------------------------|-------------------------|---------------------------|---------------------|--------------------------|-----------------|--------------------------------|---------------------|------------|
| NC             |                          | 3/2, with spring return | CNOMO                     | 230 V AC            |                          | with detent     | 65                             | 15                  | 0820019500 |
| NC             | Basic valve without coil | 3/2, with spring return | CNOMO                     |                     |                          | with detent     | 65                             | 15                  | 0820019980 |
| NC             | Basic valve without coil | 3/2, with spring return | CNOMO                     |                     |                          | with detent     | 54                             | 14                  | 0820019981 |

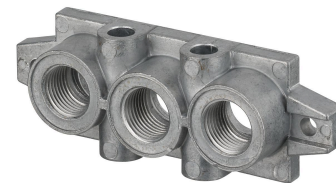
Dimensions



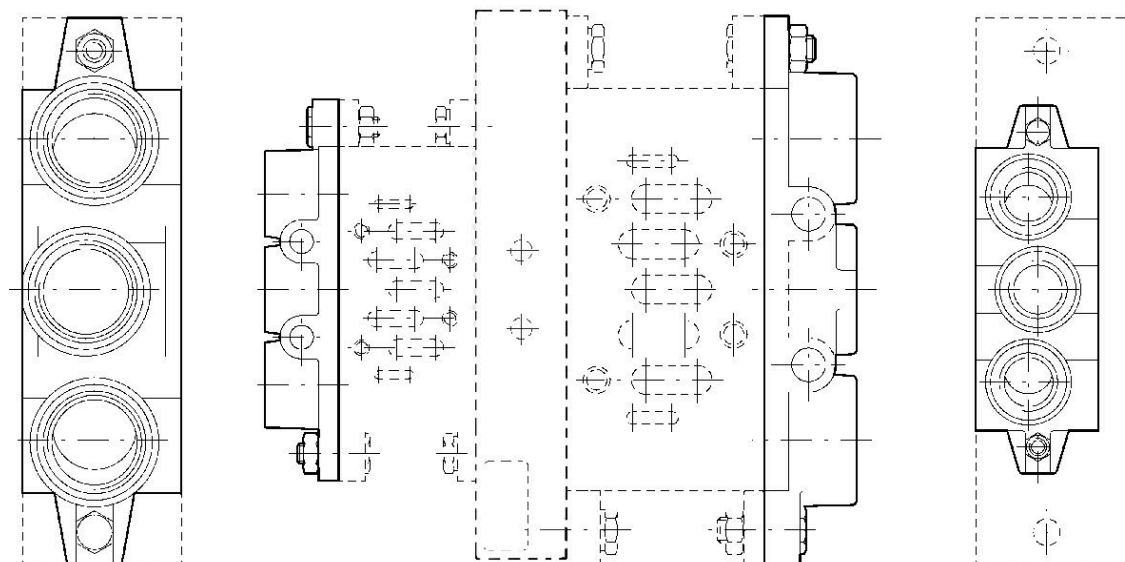
t = depth

**End plates for adapter plate**

ISO 5599-1  
Internal thread



| Frame size   | Part No.   |
|--------------|------------|
| ISO 1, ISO 2 | 1825503244 |
| ISO 1, ISO 3 | 1825503243 |
| ISO 2, ISO 3 | 1825503245 |



|       | A  | B     | C  | C1 | D    | D1 | E1 | E2 | F2    | G1  |
|-------|----|-------|----|----|------|----|----|----|-------|-----|
| ISO 1 | 7  | G 3/8 | 8  | 6  | 24   | 28 | 11 | 22 | Ø 5,5 | 110 |
| ISO 2 | 9  | G 1/2 | 11 | 8  | 31,5 | 35 | 13 | 26 | Ø 6,6 | 135 |
| ISO 3 | 12 | G 1   | 12 | 8  | 47   | 52 | 15 | 32 | Ø 9   | 190 |

| G2  | H1 | H2 | H3 | J  | K  | L   | M | N   | O  | P    |
|-----|----|----|----|----|----|-----|---|-----|----|------|
| 95  | 22 | 22 | 46 | 28 | 28 | 85  | 6 | 2   | 8  | 24   |
| 115 | 23 | 24 | 47 | 34 | 34 | 100 | 8 | 2   | 11 | 31,5 |
| 168 | 22 | 25 | 56 | 52 | 52 | 140 | 8 | 2,7 | 12 | 47   |

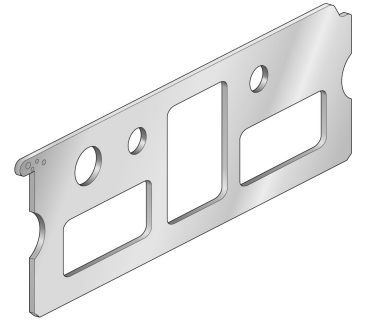
| R      |
|--------|
| Ø 22,1 |



|        |
|--------|
| R      |
| Ø 28,7 |
| Ø 38   |

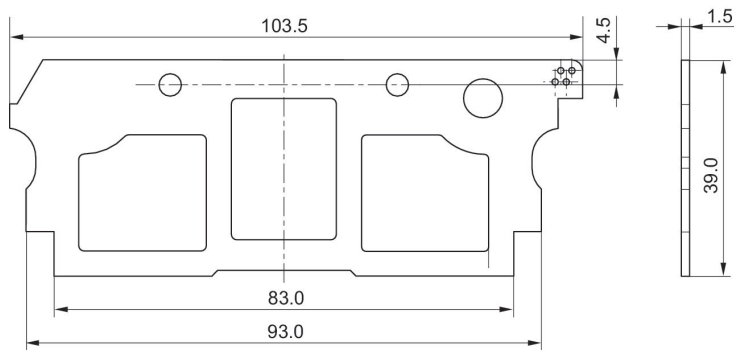
**Transition plate, Series 355, ISO 2**

355

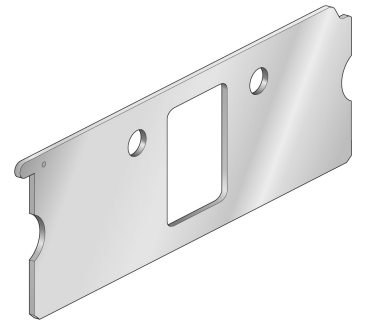


**88135508**

Dimensions

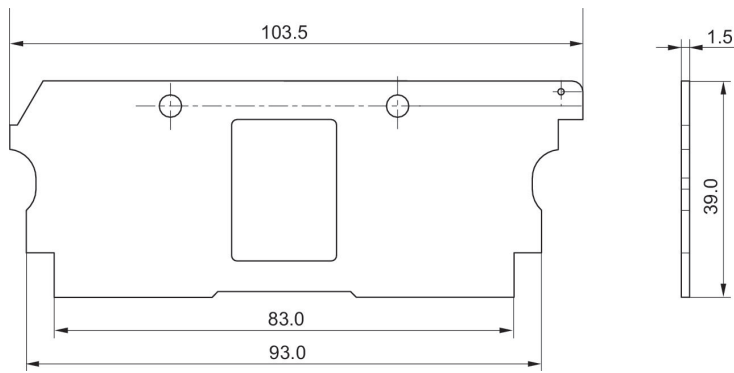


**Transition plate, Series 355, ISO 2**

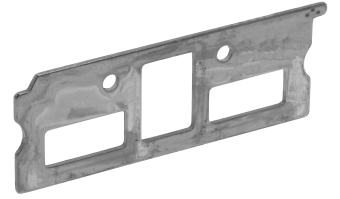


**88135513**

Dimensions

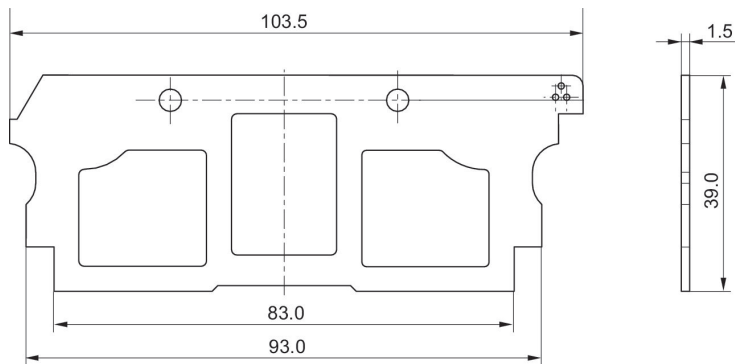


**Transition plate, Series 355, ISO 2**

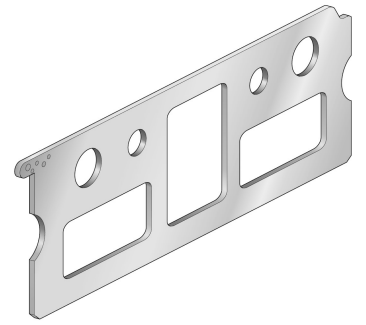


**88135507**

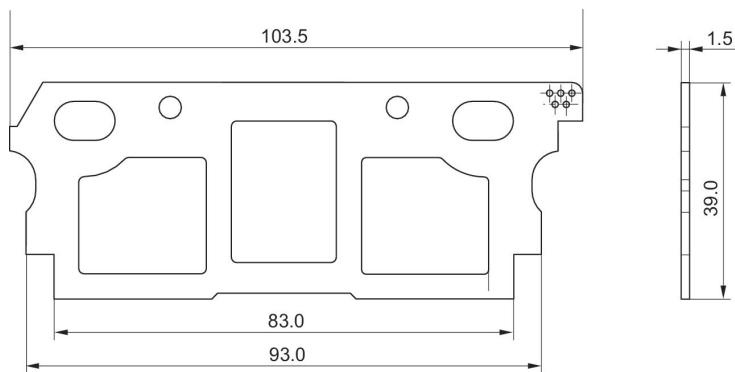
Dimensions



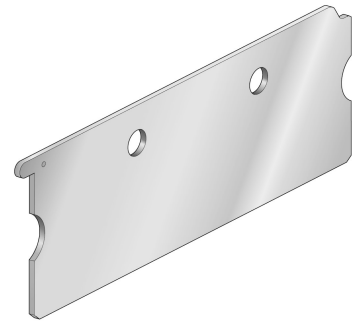
**Transition plate, Series 355, ISO 2**



**88135509**

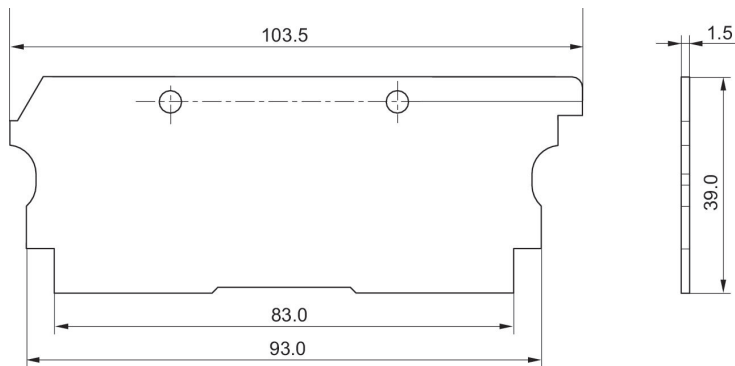


**Transition plate, Series 355, ISO 2**

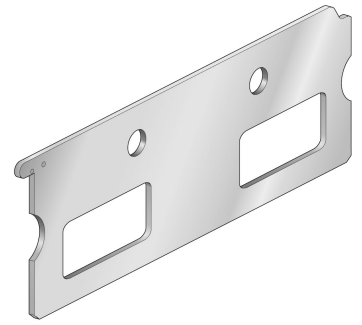


**88135506**

Dimensions

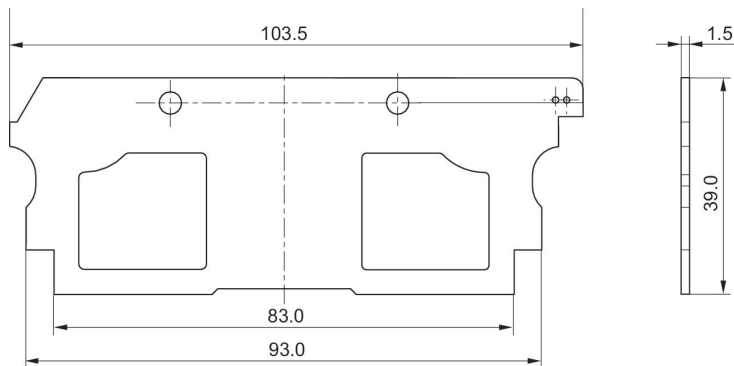


**Transition plate, Series 355, ISO 2**



**88135511**

Dimensions



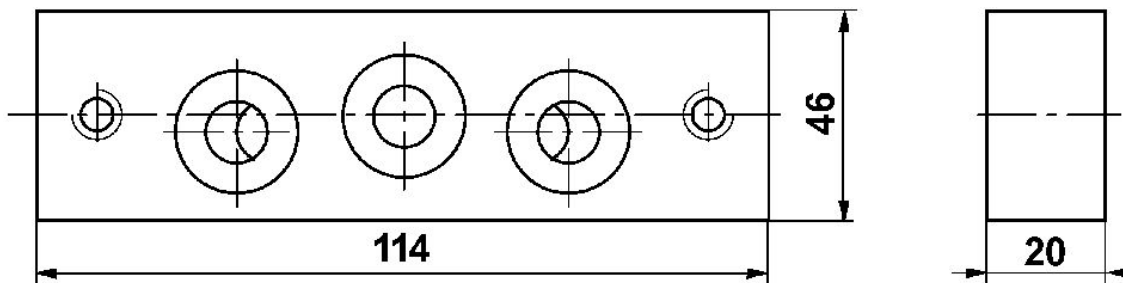
### Transition plate

ISO 5599-1  
Base plate connection



| Frame size   | Part No.   |
|--------------|------------|
| ISO 1, ISO 2 | 5802520000 |

Dimensions





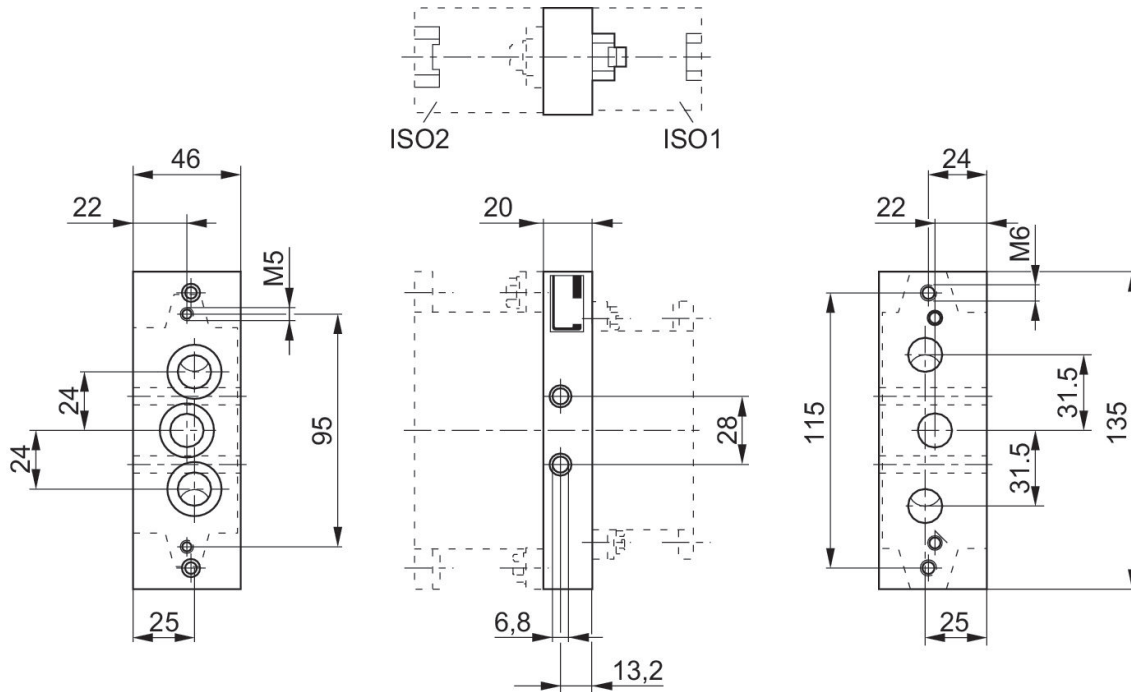
**Transition plate**

ISO 5599-1



| Frame size    | Part No.   |
|---------------|------------|
| ISO 1 > ISO 2 | 1825503164 |

Dimensions



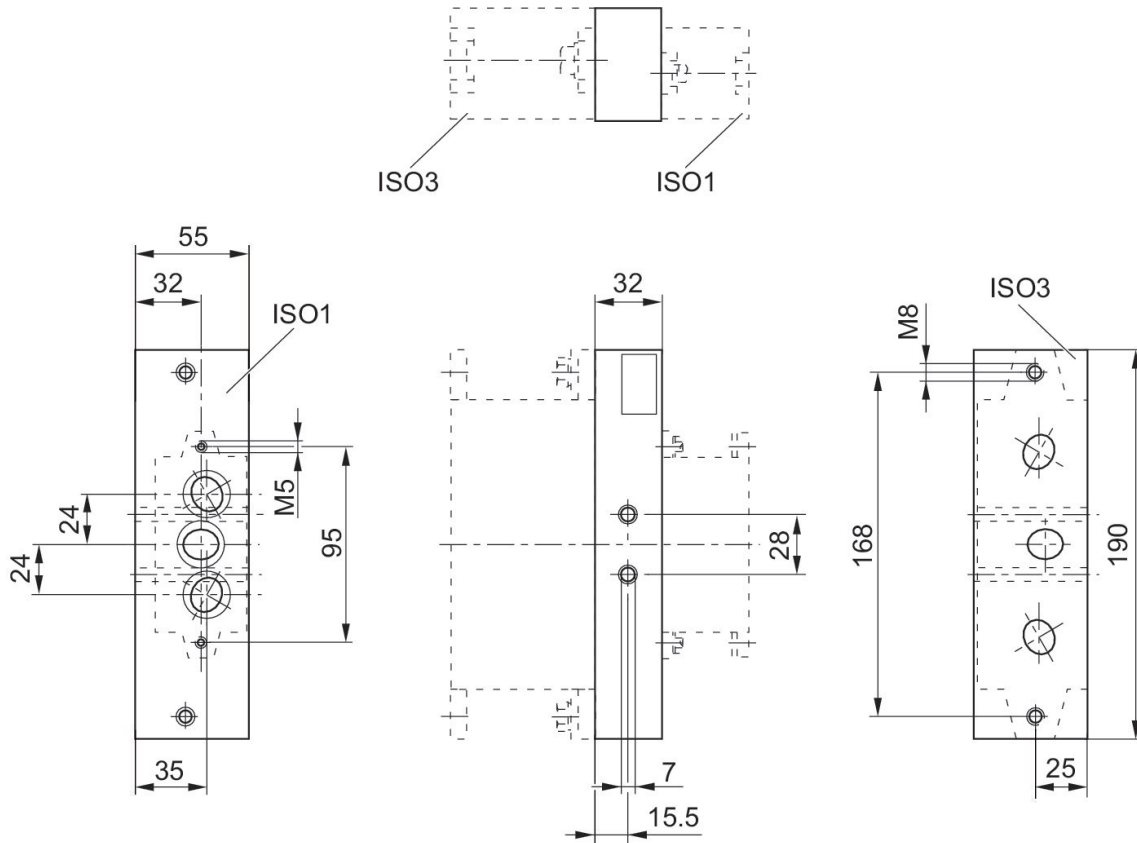
**Transition plate**

ISO 5599-1



| Frame size    | Part No.   |
|---------------|------------|
| ISO 1 > ISO 3 | 1825503166 |

Dimensions



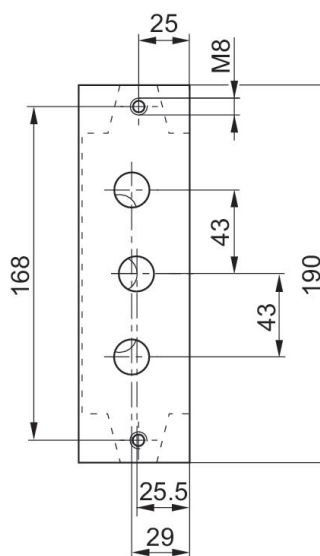
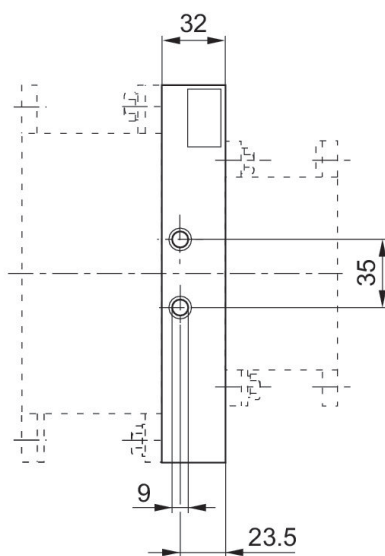
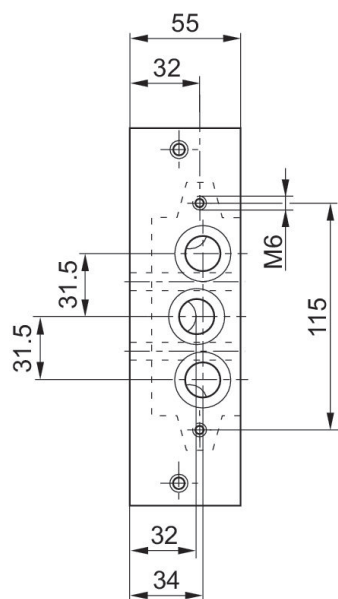
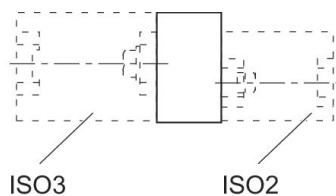
**Transition plate**

ISO 5599-1



| Frame size    | Part No.   |
|---------------|------------|
| ISO 2 > ISO 3 | 1825503165 |

Dimensions



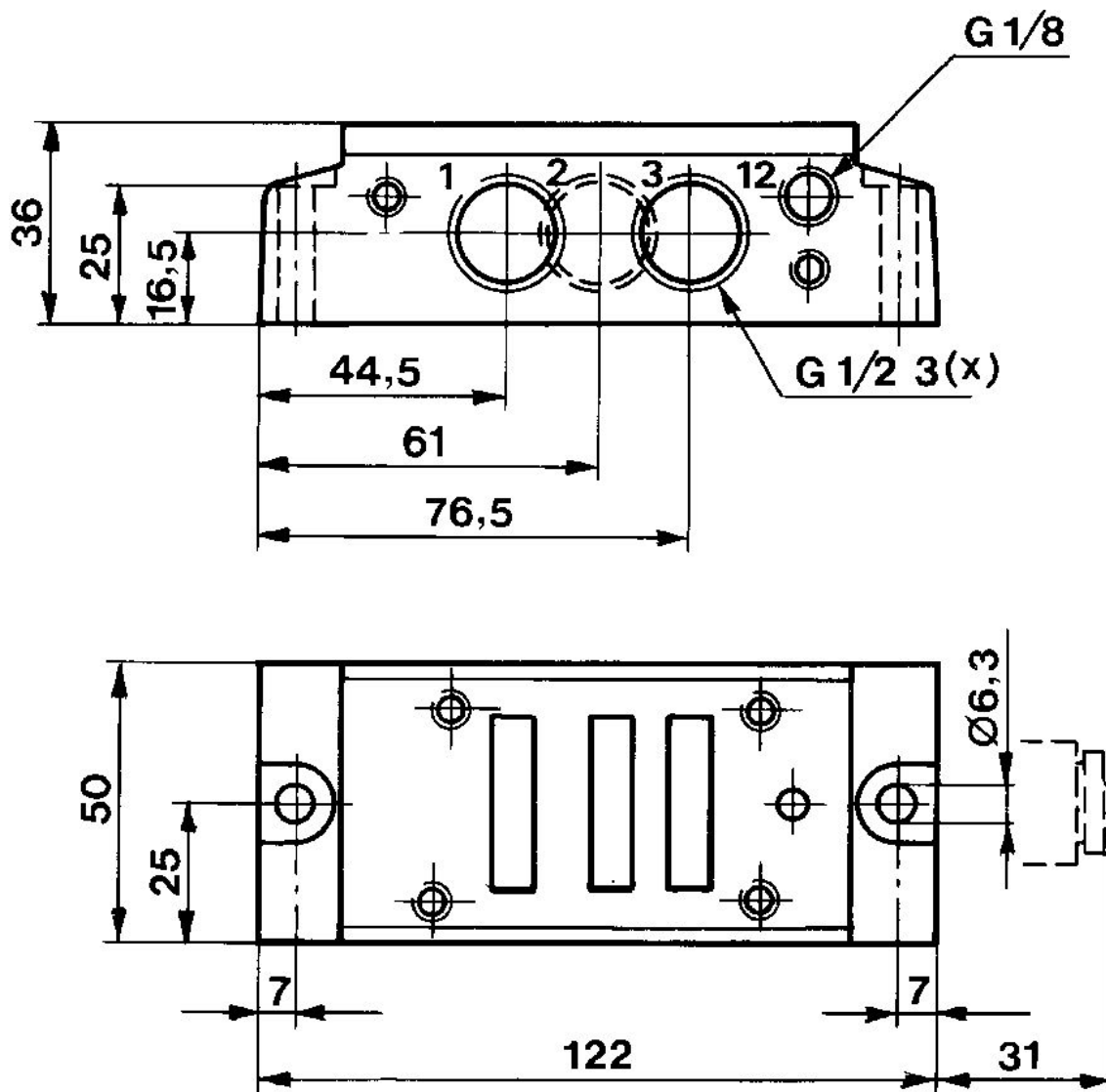
**Single subbase, for soft-start valve**

Internal thread  
G 1/2  
G 1/2



| Compressed air connection input | Compressed air connection output | Compressed air connection, exhaust | Compressed air connection pilot air | Max. number of valve positions | Part No.   |
|---------------------------------|----------------------------------|------------------------------------|-------------------------------------|--------------------------------|------------|
| G 1/2                           | G 1/2                            | G 1/2                              | G 1/8                               | 1                              | 5834710000 |

Dimensions



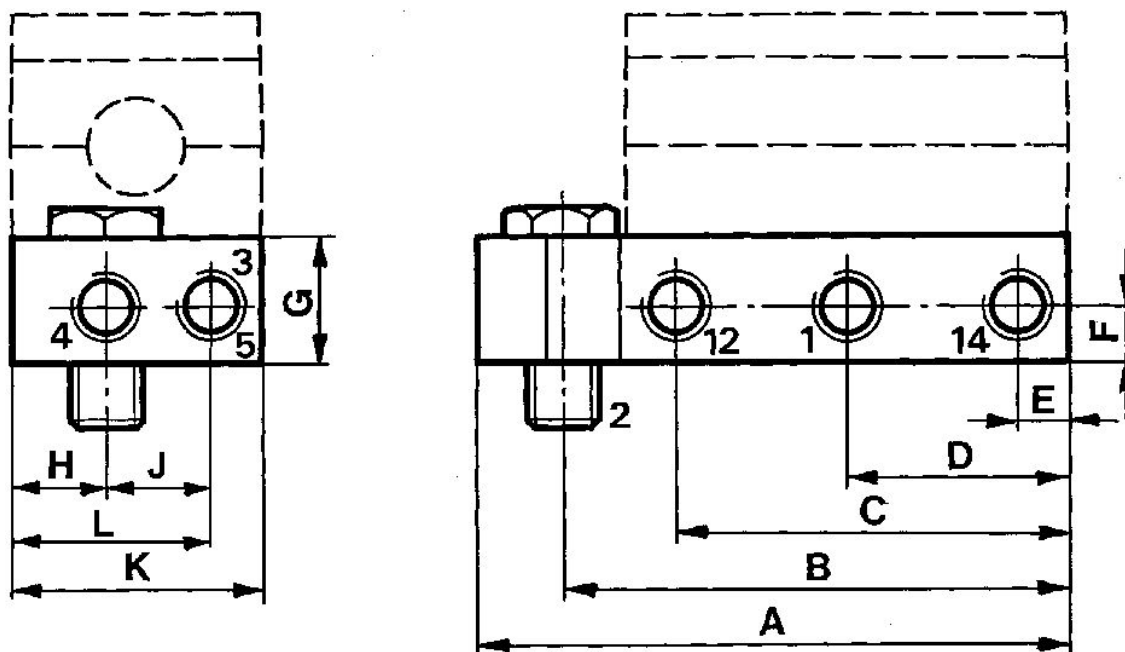
**Subbase, for direct mounting of ISO valves on cylinders**

ISO 5599-1  
Internal thread



| Frame size | Compressed air connection input | Compressed air connection output | Compressed air connection, exhaust | Compressed air connection pilot air | Part No.   |
|------------|---------------------------------|----------------------------------|------------------------------------|-------------------------------------|------------|
| ISO 2      | G 3/8                           | G 3/8                            | G 3/8                              | G 1/8                               | 5802690000 |

Dimensions



| Part No.   | 1, 4, 3, (5) | 2*           | 12, 14 | A    | B     | C    | D    | E    | F  | G  |
|------------|--------------|--------------|--------|------|-------|------|------|------|----|----|
| 5801690000 | G 1/8        | G 1/8, G 1/4 | G 1/8  | 93.5 | 80    | 62   | 35   | 8    | 9  | 20 |
| 5802690000 | G 3/8        | G 3/8        | G 1/8  | 127  | 109.5 | 81.5 | 46.5 | 11.5 | 13 | 32 |

| H  | J  | K  | L    |
|----|----|----|------|
| 15 | 17 | 40 | 32   |
| 29 | 26 | 60 | 46.5 |

\* Two different threaded banjo bolts are supplied with 5801690000 to be used with different cylinders.

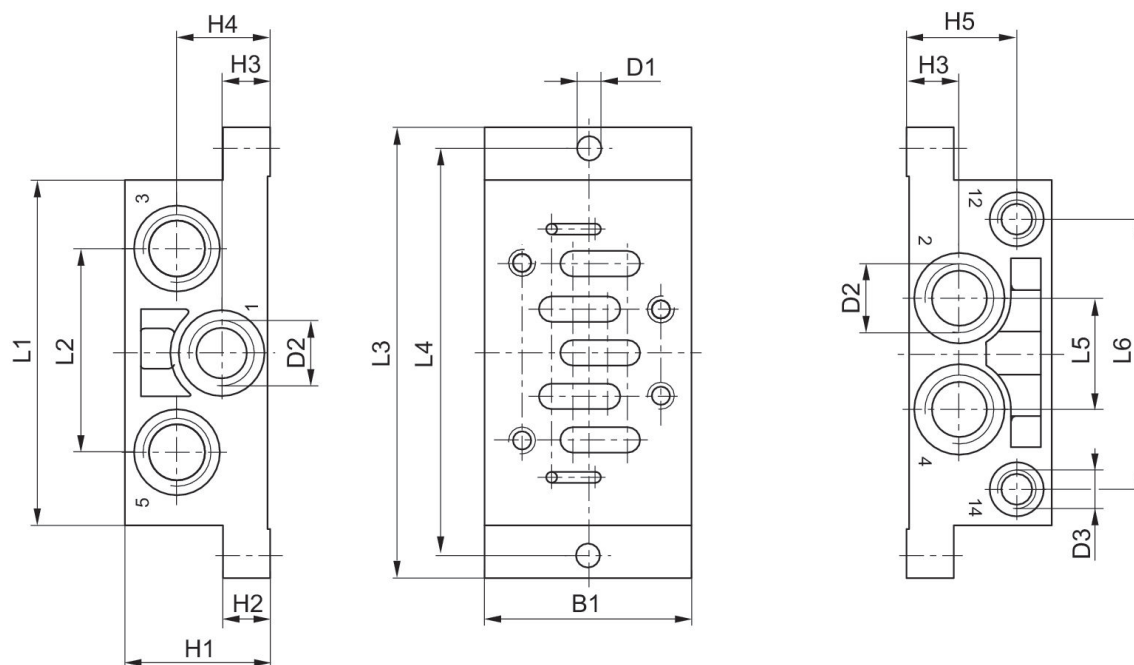
**Single subbase, thread connections on the side**

ISO 5599-1  
Internal thread



| Frame size | Compressed air connection input | Compressed air connection output | Compressed air connection, exhaust | Compressed air connection pilot air | Max. number of valve positions | Part No.   |
|------------|---------------------------------|----------------------------------|------------------------------------|-------------------------------------|--------------------------------|------------|
| ISO 2      | G 3/8                           | G 3/8                            | G 3/8                              | G 1/8                               | 1                              | 1825503146 |

8985041104



| Part No.   | B1 | H1 | H2 | H3   | H4   | H5   | D1  | D2 *) | D3 *) | L1  |
|------------|----|----|----|------|------|------|-----|-------|-------|-----|
| 1825503143 | 48 | 32 | 10 | 11,5 | 21,5 | 23,5 | 5,5 | G 1/4 | G 1/8 | 84  |
| 1825503146 | 57 | 40 | 13 | 14   | 26   | 30   | 6,6 | G 3/8 | G 1/8 | 95  |
| 1825503149 | 71 | 32 | 18 | 17   | 17   | 22   | 6,6 | G 1/2 | G 1/8 | 119 |
| 8985041404 | 85 | 42 | 19 | 22   | 22   | 30   | 9   | G 3/4 | G 1/8 | 148 |

| L2 | L3  | L4  | L5 | L6 |
|----|-----|-----|----|----|
| 43 | 110 | 98  | 24 | 58 |
| 56 | 124 | 112 | 30 | 74 |
| 68 | 149 | 136 | 32 | 90 |

| L2 | L3  | L4  | L5 | L6  |
|----|-----|-----|----|-----|
| 90 | 186 | 170 | 42 | 111 |

\*) Ports

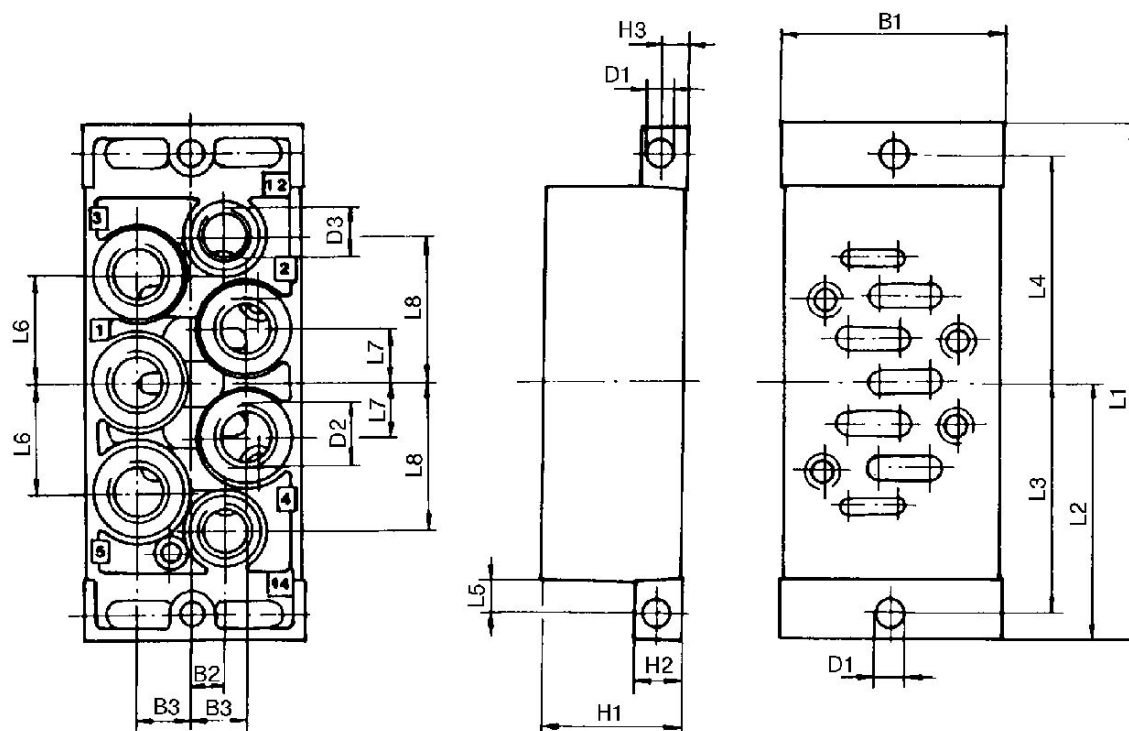
**Single subbase, thread connections on the bottom**

ISO 5599-1  
Internal thread



| Frame size | Compressed air connection input | Compressed air connection output | Compressed air connection, exhaust | Compressed air connection pilot air | Max. number of valve positions | Part No.   |
|------------|---------------------------------|----------------------------------|------------------------------------|-------------------------------------|--------------------------------|------------|
| ISO 2      | G 3/8                           | G 3/8                            | G 3/8                              | G 1/8                               | 1                              | 1825503202 |

**Dimensions**



| Part No.   | B1 | B2 | B3   | D1  | D2 *) | D3 *) | H1 | H2 | H3  | L1  |
|------------|----|----|------|-----|-------|-------|----|----|-----|-----|
| 1825503201 | 46 | 7  | 11.5 | 5.5 | G 1/4 | G 1/8 | 30 | 10 | 5   | 110 |
| 1825503202 | 56 | 8  | 13,5 | 6,6 | G 3/8 | G 1/8 | 35 | 13 | 6,5 | 124 |
| 1825503203 | 77 | 10 | 17   | 6.6 | G 1/2 | G 1/8 | 32 | 18 | 9   | 149 |

| L2 | L3 | L4 | L5  | L6 | L7   | L8   |
|----|----|----|-----|----|------|------|
| 55 | 49 | 49 | 7   | 23 | 11,5 | 31   |
| 62 | 56 | 56 | 8,5 | 28 | 14   | 36,5 |



| L2   | L3 | L4 | L5  | L6 | L7 | L8 |
|------|----|----|-----|----|----|----|
| 74.5 | 68 | 68 | 8.5 | 34 | 17 | 45 |

\*) Ports

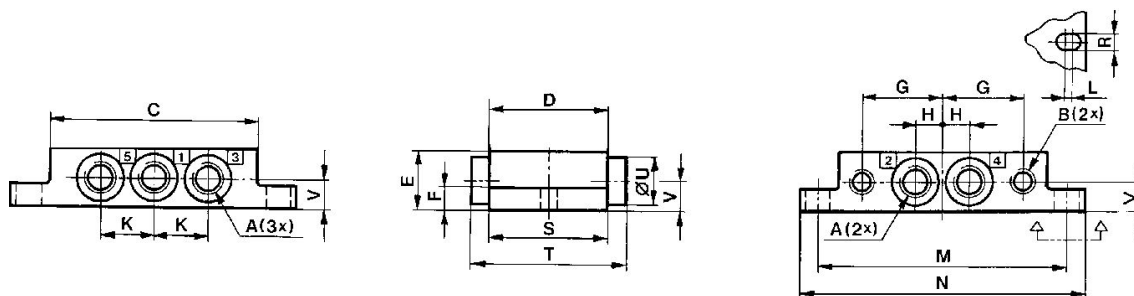
**Single subbase, ports on side**

ISO 5599-1



| Frame size | Compressed air connection input | Compressed air connection output | Compressed air connection, exhaust | Compressed air connection pilot air | Max. number of valve positions | Part No.   |
|------------|---------------------------------|----------------------------------|------------------------------------|-------------------------------------|--------------------------------|------------|
| ISO 2      | G 1/4                           | G 1/4                            | G 1/4                              | G 1/8                               | 1                              | 5802710000 |
| ISO 2      | G 3/8                           | G 3/8                            | G 3/8                              | G 1/8                               | 1                              | 5802740000 |

**Dimensions**



| Part No.   | A *)  | B *)  | C   | D  | E  | F  | G    | H    | K  | L |
|------------|-------|-------|-----|----|----|----|------|------|----|---|
| 5801710000 | G 1/8 | G 1/8 | 70  | 40 | 20 | 8  | 26.5 | 9    | 18 | 2 |
| 5801740000 | G 1/4 | G 1/8 | 70  | 40 | 23 | 11 | 31.5 | 11.5 | 23 | 2 |
| 5801810000 | Ø 6   | Ø 4   | 70  | 40 | 20 | 8  | 26.5 | 9    | 18 | 2 |
| 5801770000 | Ø 8   | Ø 6   | 70  | 40 | 23 | 10 | 31.5 | 11.5 | 23 | 2 |
| 5802710000 | G 1/4 | G 1/8 | 86  | 52 | 23 | 8  | 34   | 12   | 24 | 2 |
| 5802740000 | G 3/8 | G 1/8 | 86  | 50 | 30 | 13 | 39   | 15   | 30 | 2 |
| 5802810000 | Ø 8   | Ø 6   | 86  | 52 | 23 | 8  | 34   | 12   | 24 | 2 |
| 5803710000 | G 3/8 | G 1/8 | 118 | 65 | 32 | 10 | 45   | 16   | 32 | 2 |
| 5804710000 | G 1/2 | G 1/8 | 142 | 76 | 37 | 10 | 55.5 | 20   | 40 | 2 |

| M   | N   | R   | S  | T  | U  | V    |
|-----|-----|-----|----|----|----|------|
| 84  | 96  | 5.4 | 40 | –  | –  | 10   |
| 96  | 110 | 5.4 | 46 | 64 | 21 | 12   |
| 84  | 96  | 5.4 | 40 | –  | –  | 10   |
| 96  | 110 | 5.4 | 46 | 64 | 21 | 12   |
| 102 | 115 | 6.4 | 52 | –  | –  | 11.5 |
| 111 | 124 | 6.4 | 56 | 80 | 27 | 16   |

| M   | N   | R   | S  | T | U | V    |
|-----|-----|-----|----|---|---|------|
| 102 | 115 | 6.4 | 52 | - | - | 11.5 |
| 138 | 153 | 8.4 | 65 | - | - | 17.5 |
| 175 | 190 | 8.4 | 76 | - | - | 21   |

\*) Ports

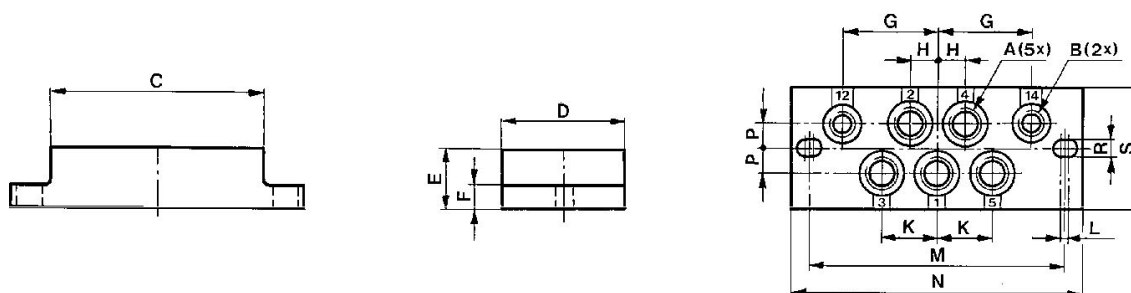
**Single subbase, ports on bottom**

ISO 5599-1



| Frame size | Compressed air connection input | Compressed air connection output | Compressed air connection, exhaust | Compressed air connection pilot air | Max. number of valve positions | Part No.   |
|------------|---------------------------------|----------------------------------|------------------------------------|-------------------------------------|--------------------------------|------------|
| ISO 2      | G 1/4                           | G 1/4                            | G 1/4                              | G 1/8                               | 1                              | 5802700000 |

**Dimensions**



| Part No.   | A *) | B *) | C   | D  | E  | F  | G    | H  | K  | L |
|------------|------|------|-----|----|----|----|------|----|----|---|
| 5801700000 | G1/8 | G1/8 | 70  | 40 | 20 | 8  | 26.5 | 9  | 18 | 2 |
| 5801800000 | Ø 6  | Ø 4  | 70  | 40 | 20 | 8  | 26.5 | 9  | 18 | 2 |
| 5802700000 | G1/4 | G1/8 | 86  | 52 | 22 | 8  | 34   | 12 | 24 | 2 |
| 5802800000 | Ø 8  | Ø 6  | 86  | 52 | 22 | 8  | 34   | 12 | 24 | 2 |
| 5803700000 | G3/8 | G1/8 | 118 | 65 | 32 | 10 | 45   | 16 | 32 | 2 |
| 5804700000 | G1/2 | G1/8 | 142 | 76 | 37 | 10 | 55.5 | 20 | 40 | 2 |

| M   | N   | P  | R   | S  |
|-----|-----|----|-----|----|
| 84  | 96  | 8  | 5.4 | 40 |
| 84  | 96  | 8  | 5.4 | 40 |
| 102 | 115 | 10 | 6.4 | 52 |
| 102 | 115 | 10 | 6.4 | 52 |
| 138 | 153 | 11 | 8.4 | 65 |
| 175 | 190 | 13 | 8.4 | 76 |

\*) Ports

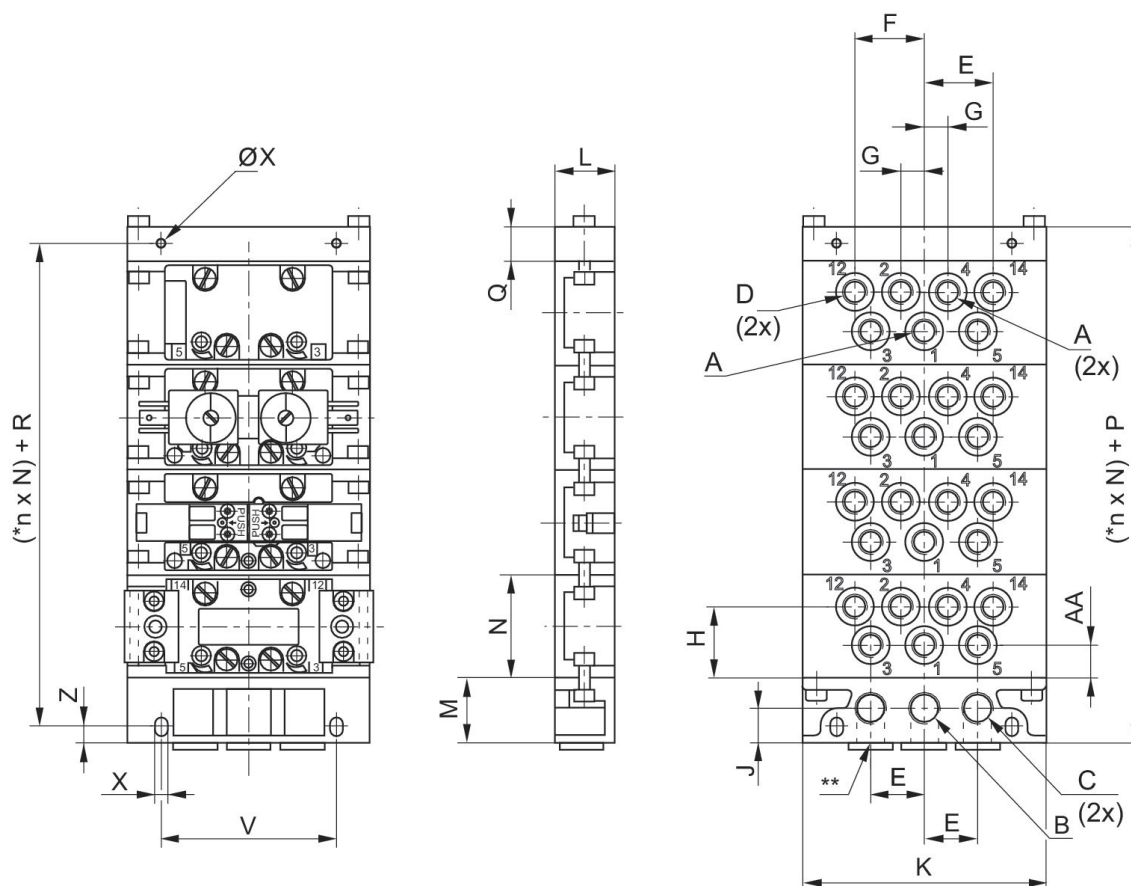
**Intermediate plate for separate air supply, ports 2 and 4 on bottom**

ISO 5599-1  
Internal thread



| Type                                       | Frame size | Compressed air connection input | Compressed air connection output | Compressed air connection, exhaust | Compressed air connection pilot air | Max. number of valve positions | Part No.   |
|--|------------|---------------------------------|----------------------------------|------------------------------------|-------------------------------------|--------------------------------|------------|
| Intermediate plate for separate air supply | ISO 2      | G 1/4                           | G 1/4                            | G 1/4                              | G 1/8                               | 1                              | 5802670000 |
| Intermediate plate for separate air supply | ISO 2      | G 3/8                           | G 3/8                            | G 3/8                              | G 1/8                               | 1                              | 5802680000 |

Dimensions



\* n = Number of subbases. \*\* Alternative port openings, closed with plugs

| Part No.   |       | A     | B     | C     | D     | E  | F    | G    | H    | J    |
|------------|-------|-------|-------|-------|-------|----|------|------|------|------|
| 5801670000 | ISO 1 | G 1/8 | G 1/4 | G 1/4 | G 1/8 | 22 | 28.5 | 9.5  | 29.5 | 14.5 |
| 5801680000 | ISO 1 | G 1/4 | G 3/8 | G 3/8 | G 1/8 | 27 | 40   | 12.5 | 26.5 | 20   |
| 5802670000 | ISO 2 | G 1/4 | G 3/8 | G 3/8 | G 1/8 | 27 | 39   | 13.5 | 38   | 20   |
| 5802680000 | ISO 2 | G 3/8 | G 1/2 | G 1/2 | G 1/8 | 36 | 52   | 17   | 33   | 22   |

| K   | L  | M  | N  | P  | Q  | R    | V   | X   | Z  | AA |
|-----|----|----|----|----|----|------|-----|-----|----|----|
| 100 | 25 | 27 | 43 | 41 | 14 | 27.5 | 72  | 5.4 | 7  | 8  |
| 122 | 30 | 34 | 43 | 49 | 15 | 34   | 94  | 6.4 | 8  | 10 |
| 122 | 28 | 34 | 56 | 49 | 15 | 34   | 94  | 6.4 | 8  | 18 |
| 156 | 37 | 39 | 56 | 59 | 20 | 40   | 118 | 8.4 | 10 | 33 |

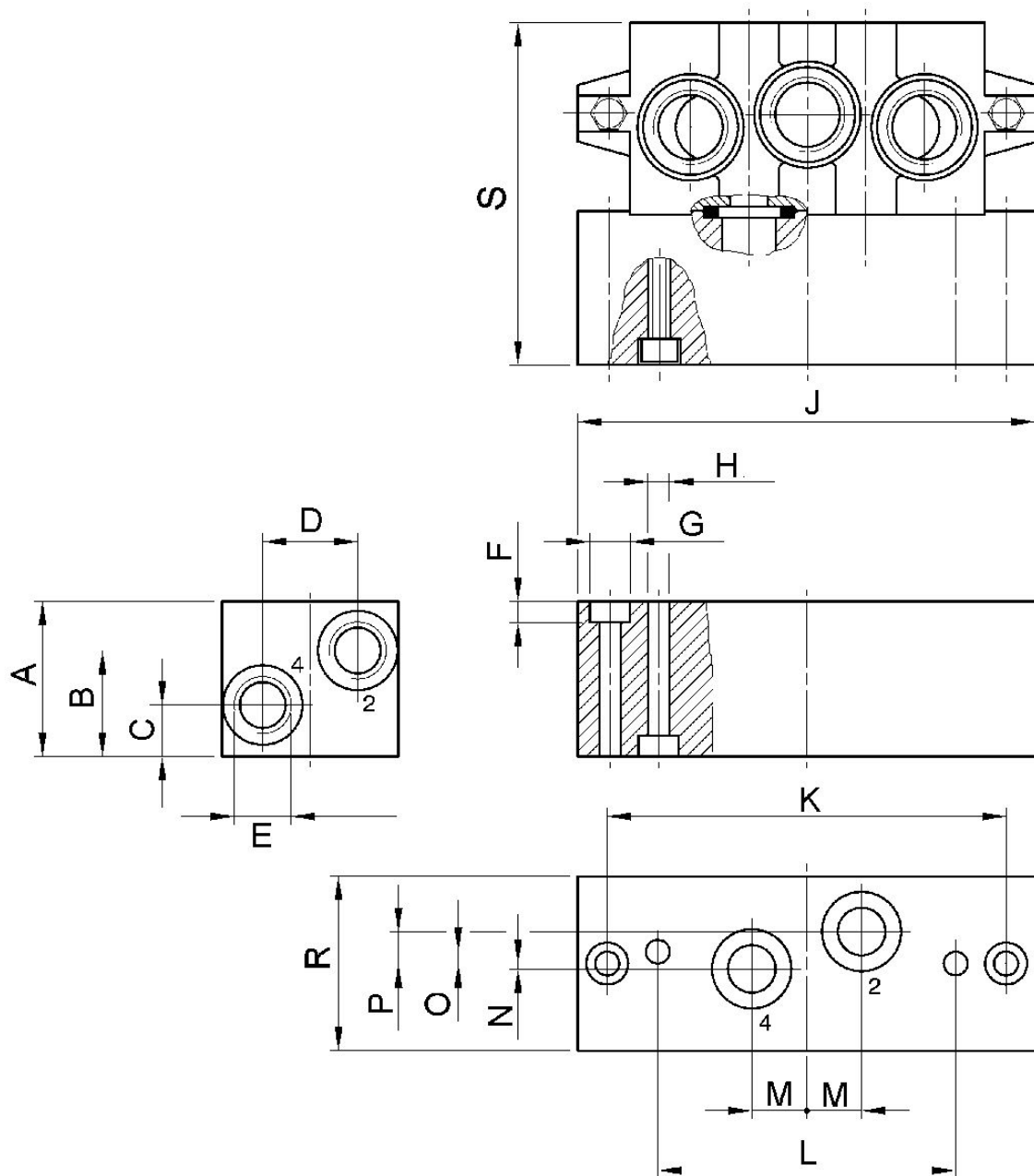
**Angle subplate**

ISO 5599-1  
Internal thread



| Compressed air connection output | Connection direction | Part No.   |
|----------------------------------|----------------------|------------|
| G 3/8                            | On the side          | 1825503204 |

Dimensions



| Part No.   | A  | B  | C  | D  | E     | F   | G    | H     | J   | K   |
|------------|----|----|----|----|-------|-----|------|-------|-----|-----|
| 1825503170 | 37 | 25 | 12 | 22 | G 1/4 | 5,7 | Ø 10 | Ø 5,5 | 110 | 95  |
| 1825503324 | 37 | 25 | 12 | 22 | G 1/4 | 5,7 | Ø 10 | Ø 5,5 | 110 | 95  |
| 1825503204 | 40 | 26 | 14 | 29 | G 3/8 | 6,8 | Ø 11 | Ø 6,6 | 135 | 115 |
| 1825503205 | 45 | 29 | 17 | 36 | G 1/2 | 9   | Ø 15 | Ø 9   | 190 | 168 |
| 1825503764 | 45 | 29 | 17 | 36 | G 1/8 | 9   | Ø 15 | Ø 9   | 190 | 168 |

| L  | M  | N   | O | P   | R  | S  | Weight |
|----|----|-----|---|-----|----|----|--------|
| 71 | 13 | 1,5 | 3 | 7,5 | 42 | 81 |        |



| L   | M  | N   | O | P   | R  | S  | Weight |
|-----|----|-----|---|-----|----|----|--------|
| 71  | 13 | 1,5 | 3 | 7,5 | 42 | 81 |        |
| 86  | 15 | 5   | 3 | 6   | 55 | 85 |        |
| 130 | 19 | 6   | 3 | 8   | 70 | 99 |        |
| 130 | 19 | 6   | 3 | 8   | 70 | 99 |        |

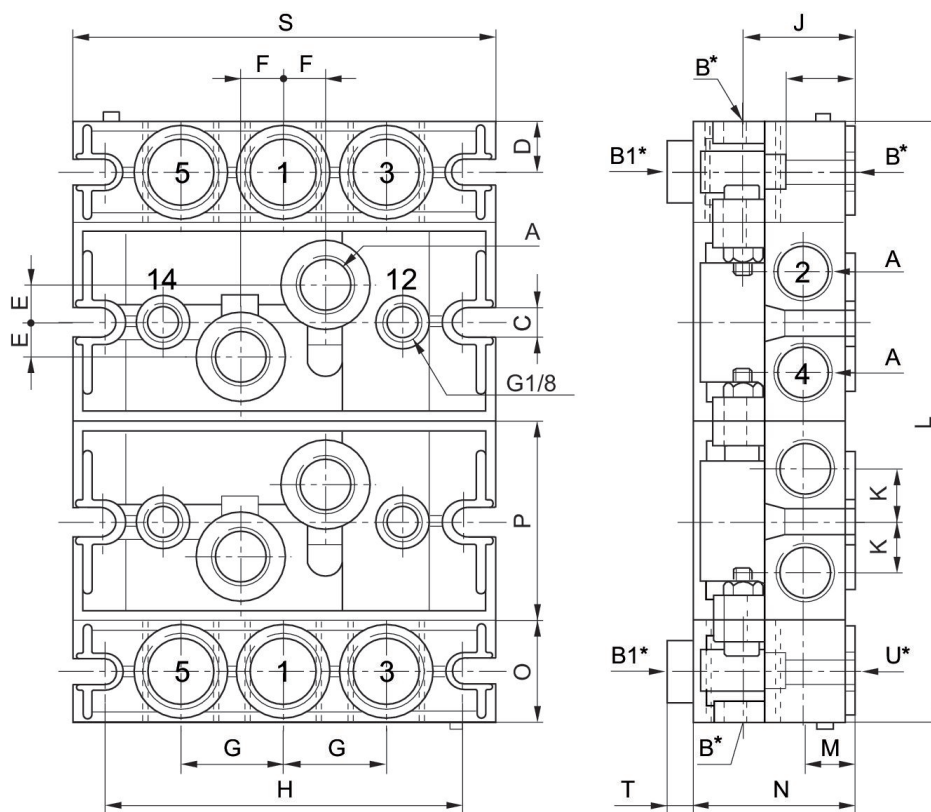
**Base plate, Ports 2 and 4 side or bottom**

ISO 5599-1  
Internal thread



| Frame size | Compressed air connection input | Compressed air connection output | Compressed air connection, exhaust | Compressed air connection pilot air | Max. number of valve positions | Part No.   |
|------------|---------------------------------|----------------------------------|------------------------------------|-------------------------------------|--------------------------------|------------|
| ISO 2      | G 3/8                           | G 3/8                            | G 3/8                              | G 1/8                               | 1                              | 5802500000 |

**Dimensions**



| Part No.   |       | A         | B         | B1        | C   | D    | E   | F  | G  | H   |
|------------|-------|-----------|-----------|-----------|-----|------|-----|----|----|-----|
| 5801500000 | ISO 1 | 2 x G 1/4 | 3 x G 3/8 | 3 x G 1/4 | 5.5 | 11   | 5.5 | 9  | 22 | 92  |
| 5802500000 | ISO 2 | 2 x G 3/8 | 3 x G 1/2 | 3 x G 3/8 | 6.5 | 14.5 | 10  | 12 | 29 | 102 |

| J  | K  | L           | M  | N  | O  | P    | R  | S   | T |
|----|----|-------------|----|----|----|------|----|-----|---|
| 24 | 12 | n x 43 + 44 | 12 | 36 | 22 | 45.7 | 17 | 106 | 8 |

| J  | K  | L                  | M  | N    | O  | P  | R  | S   | T |
|----|----|--------------------|----|------|----|----|----|-----|---|
| 32 | 15 | $n \times 56 + 58$ | 15 | 45.7 | 29 | 56 | 20 | 120 | 7 |

n = number of subbases

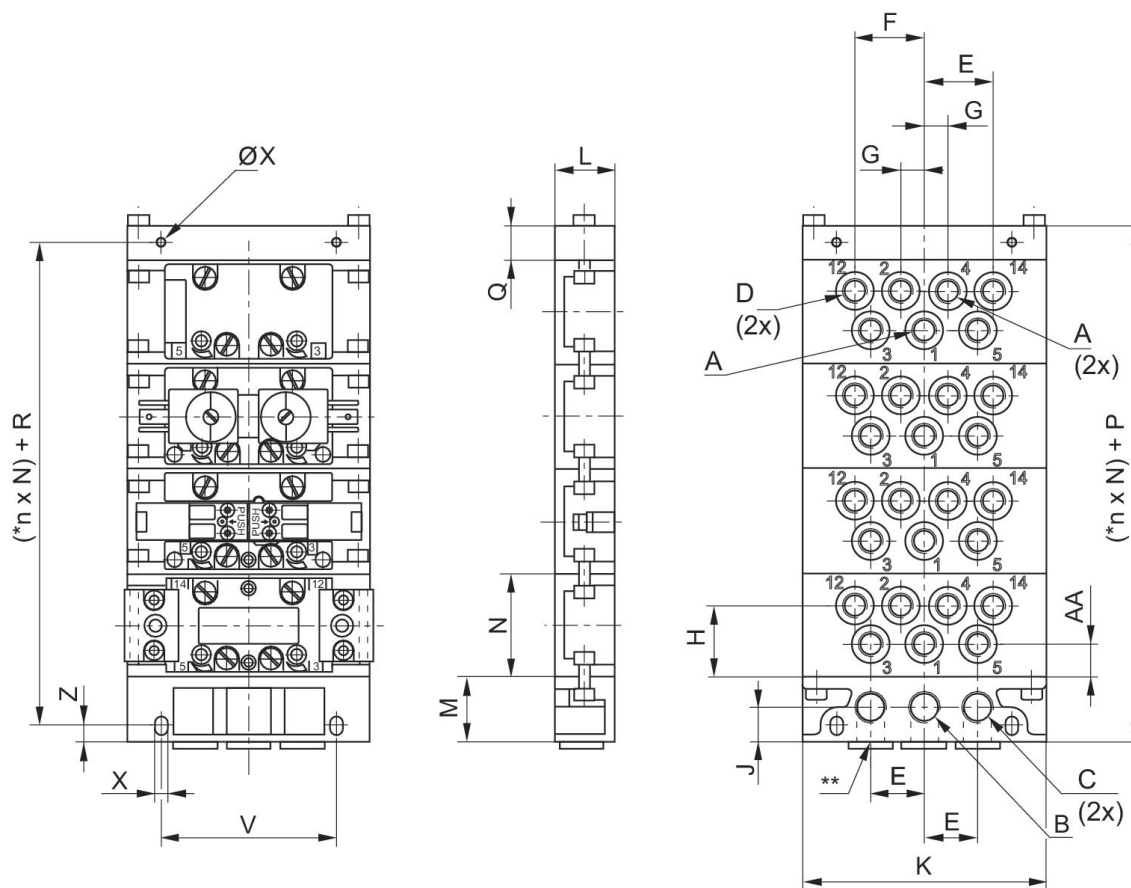
**Base plate, ports 2 and 4 on bottom**

ISO 5599-1



| Frame size | Compressed air connection output | Compressed air connection pilot air | Max. number of valve positions | Part No.   |
|------------|----------------------------------|-------------------------------------|--------------------------------|------------|
| ISO 2      | G 1/4                            | G 1/8                               | 1                              | 5802720000 |
| ISO 2      | G 3/8                            | G 1/8                               | 1                              | 5802750000 |

**Dimensions**



\* n = Number of subbases. \*\* Alternative port openings, closed with plugs

| Part No.   | * |       | A     | B     | C     | D     | E  | F    | G    | H    |
|------------|---|-------|-------|-------|-------|-------|----|------|------|------|
| 5801720000 | a | ISO 1 | G 1/8 | G 1/4 | G 1/4 | G 1/8 | 22 | 28.5 | 9.5  | 29.5 |
| 5801750000 | b | ISO 1 | G 1/4 | G 3/8 | G 3/8 | G 1/8 | 27 | 40   | 12.5 | 26.5 |

| Part No.   | * |       | A     | B     | C     | D     | E  | F    | G    | H    |
|------------|---|-------|-------|-------|-------|-------|----|------|------|------|
| 5801780000 | b | ISO 1 | Ø 8   | G 3/8 | G 3/8 | Ø 6   | 27 | 40   | 12.5 | 26.5 |
| 5801820000 | a | ISO 1 | Ø 6   | G 1/4 | G 1/4 | Ø 4   | 22 | 28.5 | 9.5  | 29.5 |
| 5802720000 | b | ISO 2 | G 1/4 | G 3/8 | G 3/8 | G 1/8 | 27 | 39   | 13.5 | 38   |
| 5802750000 | c | ISO 2 | G 3/8 | G 1/2 | G 1/2 | G 1/8 | 36 | 52   | 17   | 33   |
| 5802820000 | b | ISO 2 | Ø 8   | G 3/8 | G 3/8 | Ø 6   | 27 | 39   | 13.5 | 38   |
| 5803720000 | c | ISO 3 | G 3/8 | G 1/2 | G 1/2 | G 1/8 | 36 | 50   | 18   | 46   |
| 5803750000 | d | ISO 3 | G 1/2 | G 3/4 | G 3/4 | G 1/8 | 44 | 62   | 20.5 | 42   |
| 5804720000 | d | ISO 4 | G 1/2 | G 3/4 | G 3/4 | G 1/8 | 44 | 60.5 | 22   | 53.5 |

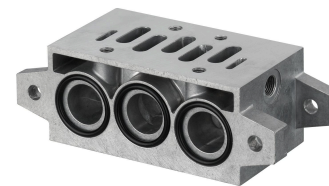
| J    | K   | L  | M  | N  | P  | Q  | R    | V   | X   | Z  |
|------|-----|----|----|----|----|----|------|-----|-----|----|
| 14.5 | 100 | 25 | 27 | 43 | 41 | 14 | 27.5 | 72  | 5.4 | 7  |
| 20   | 122 | 30 | 34 | 43 | 49 | 15 | 34   | 94  | 6.4 | 8  |
| 20   | 122 | 30 | 34 | 43 | 49 | 15 | 34   | 94  | 6.4 | 8  |
| 14.5 | 100 | 25 | 27 | 43 | 41 | 14 | 27.5 | 72  | 5.4 | 7  |
| 20   | 122 | 30 | 34 | 56 | 49 | 15 | 34   | 94  | 6.4 | 8  |
| 22   | 156 | 37 | 39 | 56 | 59 | 20 | 40   | 118 | 8.4 | 10 |
| 20   | 122 | 28 | 34 | 56 | 49 | 15 | 34   | 94  | 6.4 | 8  |
| 22   | 156 | 36 | 39 | 71 | 59 | 20 | 40   | 118 | 8.4 | 10 |
| 24   | 190 | 40 | 44 | 71 | 64 | 20 | 45   | 146 | 8.4 | 10 |
| 24   | 190 | 40 | 44 | 82 | 64 | 20 | 45   | 146 | 8.4 | 10 |

| AA   |
|------|
| 8    |
| 10   |
| 10   |
| 13.5 |
| 18   |
| 13   |
| 18   |
| -    |
| -    |
| -    |

\* Intermediate plates designated with the same letters (a-d) can be mounted together without a transition plate.

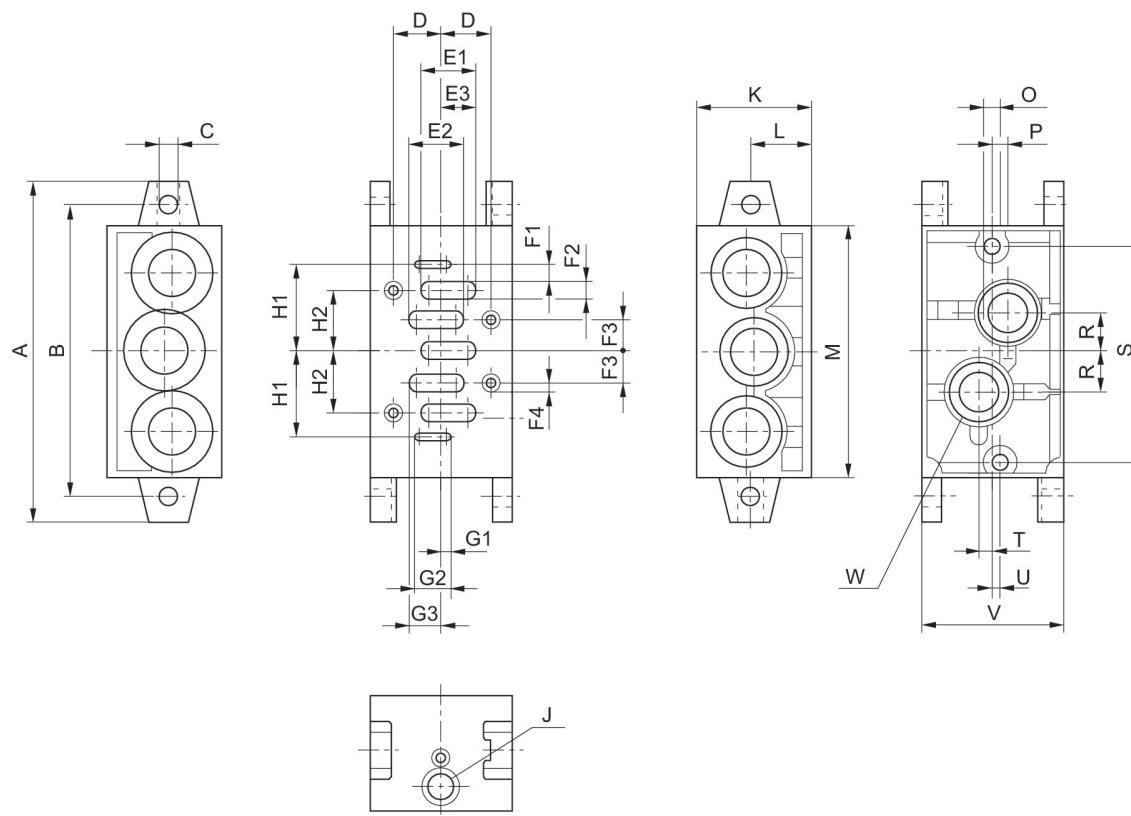
**Base plate, ports 2 and 4 on bottom**

ISO 5599-1  
Internal thread



| Frame size | Compressed air connection output | Compressed air connection pilot air | Max. number of valve positions | Part No.   |
|------------|----------------------------------|-------------------------------------|--------------------------------|------------|
| ISO 2      | G 3/8                            | G 1/8                               | 1                              | 1825503147 |

Dimensions



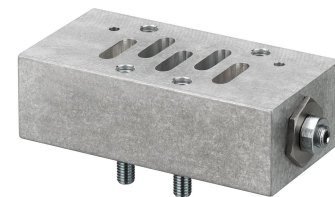
| Part No.   | A   | B   | C   | D  | E1   | E2   | E3    | F1 | F2  | F3 |
|------------|-----|-----|-----|----|------|------|-------|----|-----|----|
| 1825503144 | 110 | 95  | 5,5 | 14 | 16,5 | 16,5 | 11,25 | 3  | 4,5 | 9  |
| 1825503147 | 135 | 115 | 6,6 | 19 | 22   | 22   | 13,5  | 3  | 7   | 12 |
| 1825503150 | 190 | 168 | 9   | 24 | 29   | 29   | 16,5  | 4  | 10  | 16 |
| 8985041422 | 215 | 184 | 11  | —  | —    | —    | —     | —  | —   | —  |

| F4 | G1 | G2   | G3    | H1   | H2 | J     | K  | L  | M   | O  |
|----|----|------|-------|------|----|-------|----|----|-----|----|
| M5 | 3  | 13,5 | 11,25 | 26,5 | 18 | G 1/8 | 44 | 22 | 85  | M5 |
| M6 | 3  | 14,5 | 13,5  | 34   | 24 | G 1/8 | 45 | 24 | 100 | M6 |
| M8 | 4  | 17,5 | 16,5  | 45   | 32 | G 1/8 | 54 | 25 | 140 | M8 |
| —  | —  | —    | —     | —    | —  | —     | 55 | 30 | 142 | M8 |

| P   | R  | S   | T   | U | V  | W     |
|-----|----|-----|-----|---|----|-------|
| 7,5 | 13 | 71  | 1,5 | 3 | 43 | G 1/4 |
| 6   | 15 | 86  | 5   | 3 | 56 | G 3/8 |
| 8   | 19 | 130 | 6   | 3 | 71 | G 1/2 |
| 8   | 26 | —   | 9   | 3 | 82 | G 3/4 |

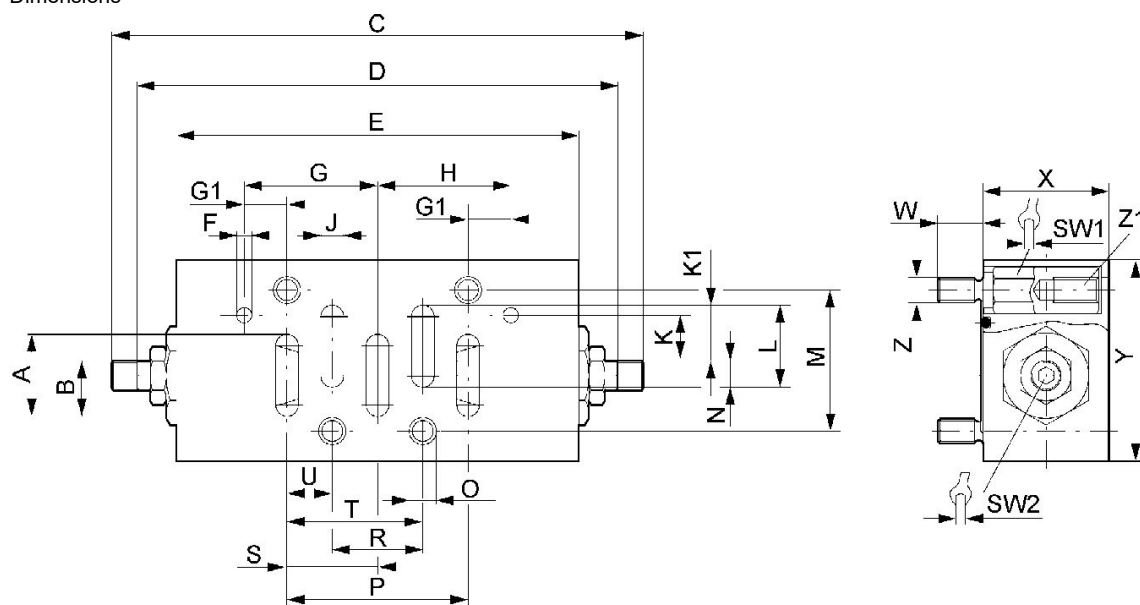
**Throttle plate**

ISO 5599-1



| Frame size | Part No.   |
|------------|------------|
| ISO 2      | 0821201024 |

Dimensions



| Part No.   | A    | B    | C     | D     | E   | F | G    | G1  | H    | J   |
|------------|------|------|-------|-------|-----|---|------|-----|------|-----|
| 0821201023 | 16.3 | 11,1 | 105.6 | 95.6  | 80  | 3 | 26,5 | 8.5 | 26.5 | 4.5 |
| 0821201024 | 22   | 13,5 | 128.6 | 118.6 | 102 | 3 | 34   | 10  | 34   | 7   |
| 0821201025 | 29   | 16,5 | 189.9 | 169.9 | 140 | 4 | 45   | 13  | 45   | 10  |

| K    | K1   | L    | M  | N    | O   | P  | R  | S  | SW1 | SW2 |
|------|------|------|----|------|-----|----|----|----|-----|-----|
| 9    | 10.8 | 16.3 | 28 | 5.5  | 5.2 | 36 | 18 | 18 | 8   | 3   |
| 10   | 13.5 | 22   | 38 | 8.5  | 6.2 | 48 | 24 | 24 | 9   | 3   |
| 11.5 | 16.5 | 29   | 48 | 12.5 | 8.2 | 64 | 32 | 32 | 11  | 4   |

| T  | U  | W | X  | Y  | Z  | Weight | Z1    |
|----|----|---|----|----|----|--------|-------|
| 27 | 9  | 9 | 25 | 40 | M5 |        | M5-9  |
| 36 | 12 | 9 | 25 | 55 | M6 |        | M6-10 |



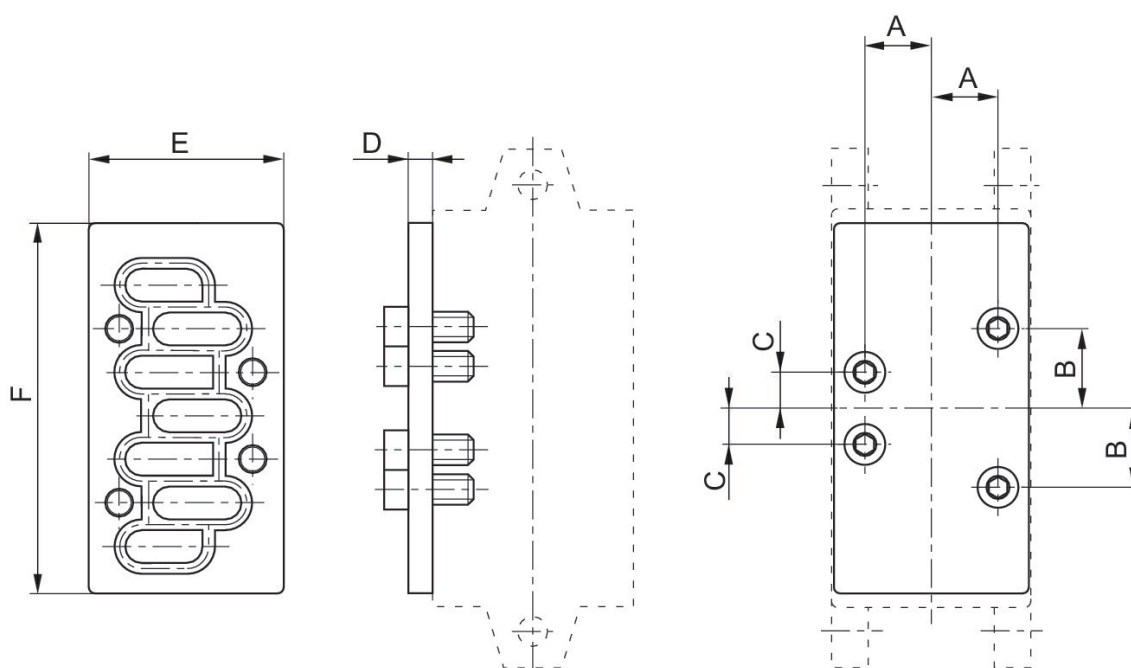
| T  | U  | W  | X  | Y  | Z  | Weight | Z1    |
|----|----|----|----|----|----|--------|-------|
| 48 | 16 | 14 | 35 | 70 | M8 |        | M8-14 |

**Blanking plate**

ISO 5599-1



| Type           | Frame size | Part No.   |
|----------------|------------|------------|
| Blanking plate | ISO 2      | 1825503176 |
| Gasket ISO 2   |            | 1821A15032 |



| Part No.   | Frame size | A  | B  | C  | D  | E  | F   |
|------------|------------|----|----|----|----|----|-----|
| 1825503282 | ISO 1      | 14 | 18 | 9  | 7  | 42 | 80  |
| 1825503176 | ISO 2      | 19 | 24 | 12 | 15 | 54 | 100 |
| 1825503174 | ISO 3      | 24 | 32 | 16 | 15 | 70 | 140 |

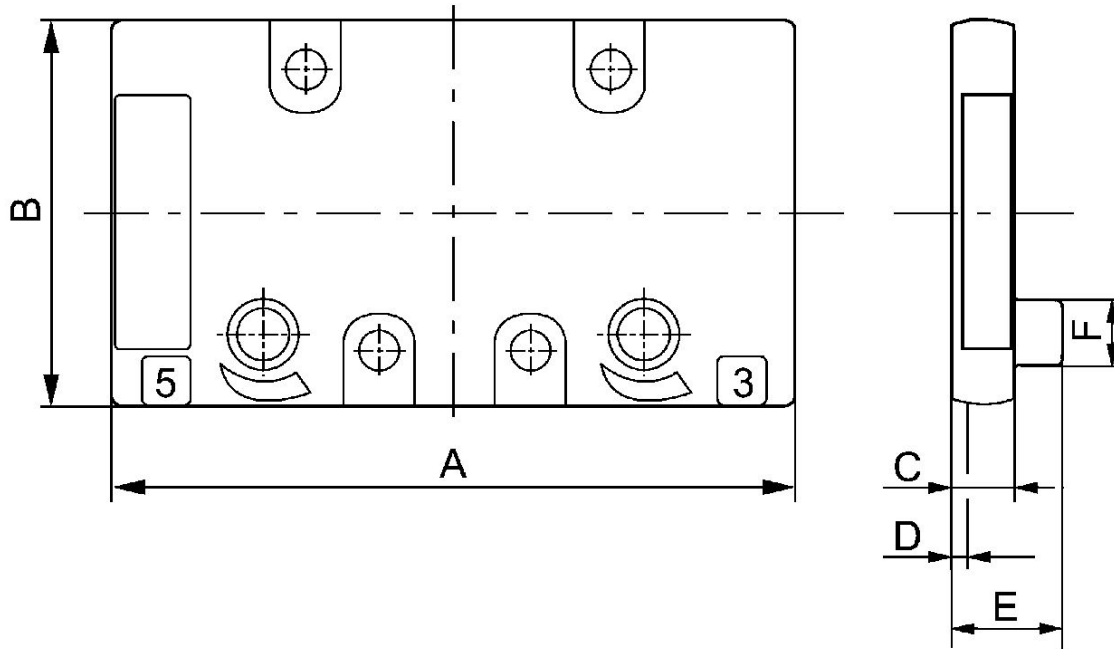
**Blanking plate**

ISO 5599-1



| Frame size | Max. number of valve positions | Part No.   |
|------------|--------------------------------|------------|
| ISO 2      | 1                              | 5802870000 |

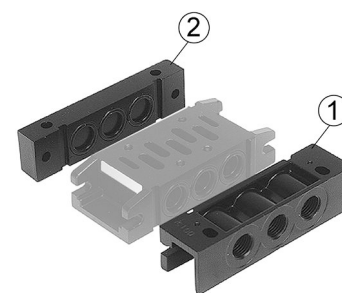
Dimensions



| Part No.   | A     | B    | C  | D | E  | F  |
|------------|-------|------|----|---|----|----|
| 5801870000 | 69    | 39   | 7  | 2 | -  | -  |
| 5802870000 | 86.4  | 49.4 | 9  | 2 | -  | -  |
| 5803870000 | 116.5 | 63.5 | 10 | 2 | 15 | 12 |
| 5804870000 | 142.5 | 74.5 | 10 | 2 | 20 | 15 |

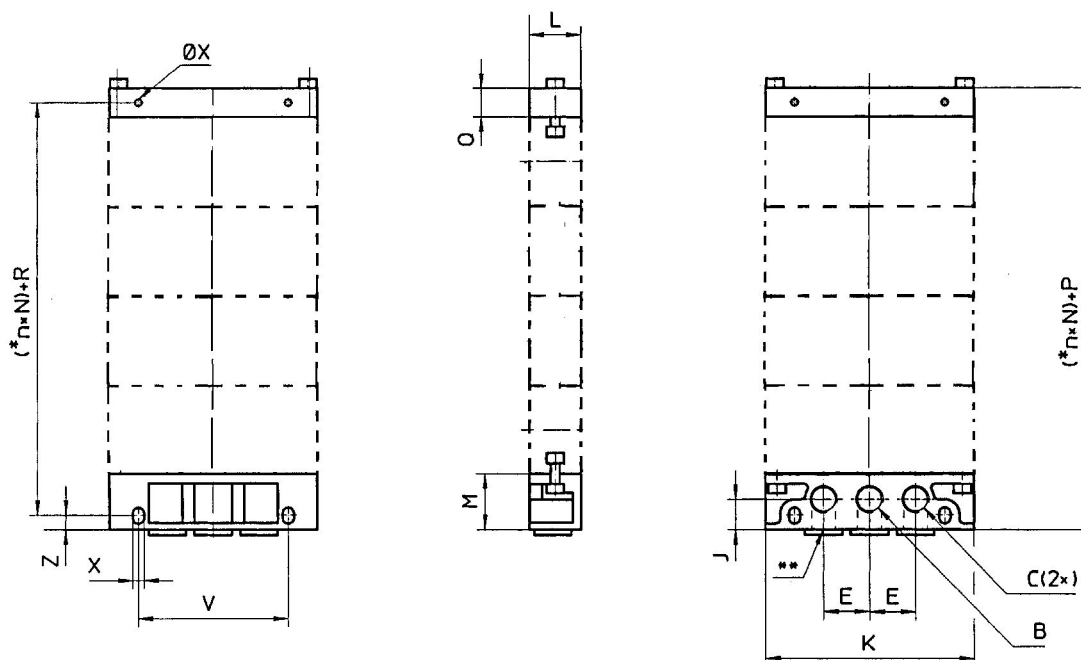
**End plate left, End plate right**

ISO 5599-1  
Internal thread



| Frame size   | Compressed air connection input | Compressed air connection, exhaust | Part No.   |
|--------------|---------------------------------|------------------------------------|------------|
| ISO 1, ISO 2 | G 3/8                           | G 3/8                              | 5802850000 |
| ISO 1, ISO 2 |                                 |                                    | 5802860000 |

**Dimensions**



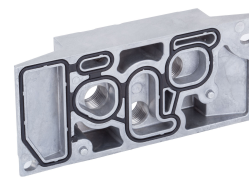
\* n = Number of subbases. \*\* Alternative port openings, closed with plugs

| Part No.   |              | B     | C     | E  | J    | K   | L  | M  | P  | Q  |
|------------|--------------|-------|-------|----|------|-----|----|----|----|----|
| 5801850000 | ISO 1        | G 1/4 | G 1/4 | 22 | 14.5 | 100 | 25 | 27 | 41 | -  |
| 5801860000 | ISO 1        | -     | -     | -  | -    | 100 | 25 | -  | 41 | 14 |
| 5802850000 | ISO 1, ISO 2 | G 3/8 | G 3/8 | 27 | 20   | 122 | 30 | 34 | 49 | -  |
| 5802860000 | ISO 1, ISO 2 | -     | -     | -  | -    | 122 | 29 | -  | 49 | 15 |
| 5803850000 | ISO 2, ISO 3 | G 1/2 | G 1/2 | 36 | 22   | 156 | 37 | 39 | 59 | -  |
| 5803860000 | ISO 2, ISO 3 | -     | -     | -  | -    | 156 | 37 | -  | 59 | 20 |
| 5804850000 | ISO 3, ISO 4 | G 3/4 | G 3/4 | 44 | 24   | 190 | 42 | 44 | 64 | -  |
| 5804860000 | ISO 3, ISO 4 | -     | -     | -  | -    | 190 | 42 | -  | 64 | 20 |

| R    | V   | X   | Z  | Weight |
|------|-----|-----|----|--------|
| 27.5 | 72  | 5.4 | 7  |        |
| 27.5 | 72  | 5.4 | -  |        |
| 34   | 94  | 6.4 | 8  |        |
| 34   | 94  | 6.4 | -  |        |
| 40   | 118 | 8.4 | 10 |        |
| 40   | 118 | 8.4 | -  |        |
| 45   | 146 | 8.4 | 10 |        |
| 45   | 146 | 8.4 | -  |        |

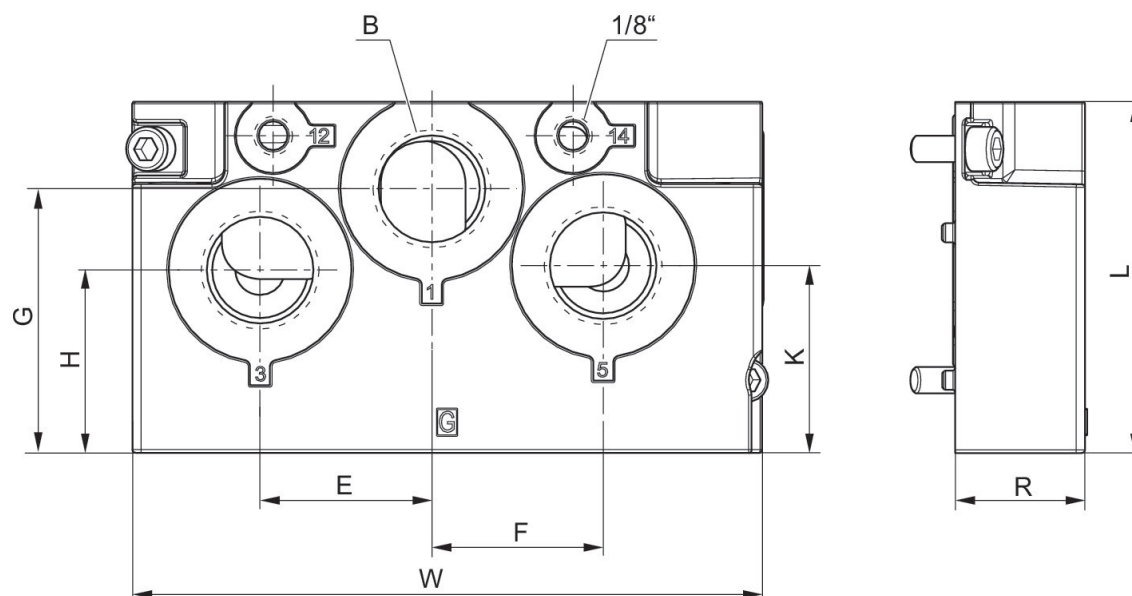
**End plate right**

ISO 5599-1



| Frame size | Compressed air connection input | Compressed air connection, exhaust | Part No.   |
|------------|---------------------------------|------------------------------------|------------|
| ISO 1      | G 3/8                           | G 3/8                              | R432037651 |
| ISO 2      | G 3/4                           | G 3/4                              | R432037653 |
| ISO 3      | G 1                             | G 1                                | R432037655 |

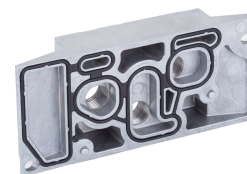
Dimensions



| Part No.   | B   | E  | F  | G    | H    | J  | K    | R    | L    | W   |
|------------|-----|----|----|------|------|----|------|------|------|-----|
| R432037651 | 3/8 | 23 | 18 | 15.5 | 30   | 20 | 37.5 | 25   | 60.6 | 135 |
| R432037653 | 3/4 | 39 | 39 | 60   | 41.5 | 38 | 42.5 | 29.5 | 79.7 | 143 |
| R432037655 | 1   | 49 | 49 | 76   | 53   | 32 | 53   | 36   | 100  | 164 |

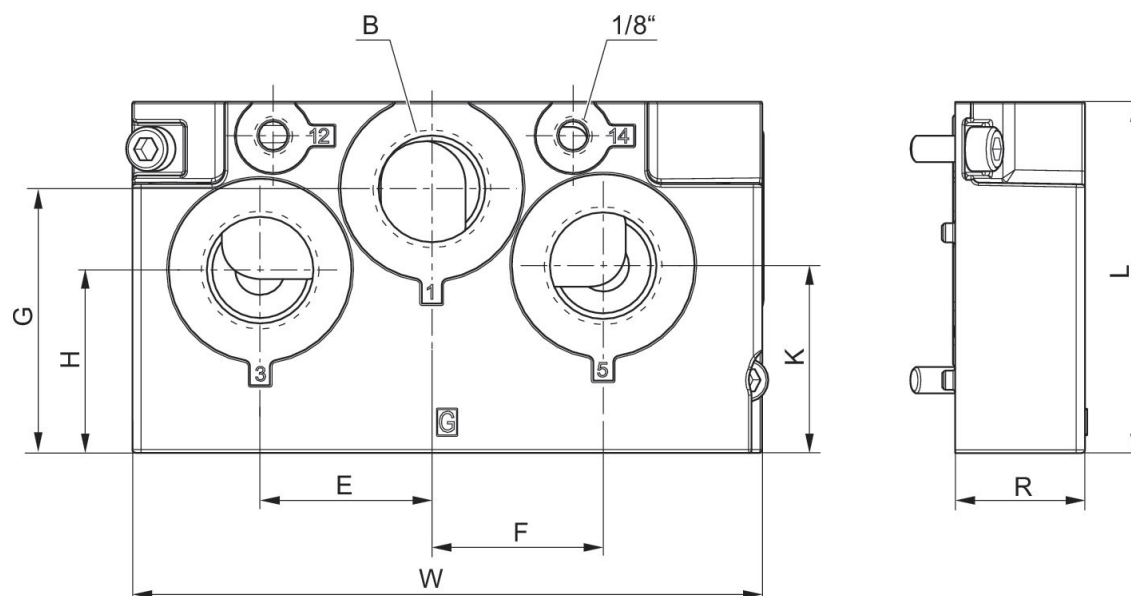
**End plate right, Inch version**

ISO 5599-1



| Frame size | Compressed air connection input | Compressed air connection, exhaust | Part No.   |
|------------|---------------------------------|------------------------------------|------------|
| ISO 1      | 3/8 NPT                         | 3/8 NPT                            | R432037652 |
| ISO 2      | 3/4 NPT                         | 3/4 NPT                            | R432037654 |
| ISO 3      | 1 NPT                           | 1 NPT                              | R432037656 |

Dimensions



| Part No.   | E  | F  | G    | H    | J  | K    | W   |
|------------|----|----|------|------|----|------|-----|
| R432037652 | 23 | 18 | 15.5 | 30   | 20 | 37.5 | 135 |
| R432037654 | 39 | 39 | 60   | 41.5 | 38 | 42.5 | 143 |
| R432037656 | 49 | 49 | 76   | 53   | 32 | 53   | 53  |

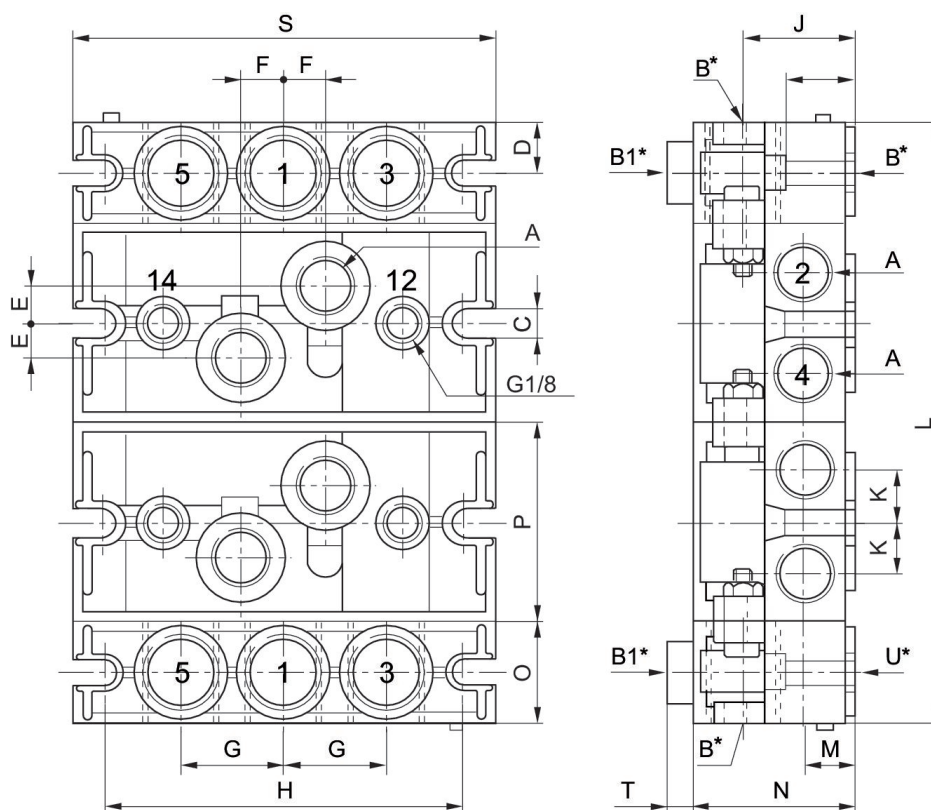
**End plate left, End plate right**

ISO 5599-1  
Internal thread



| Frame size | Compressed air connection input | Compressed air connection, exhaust | Part No.   |
|------------|---------------------------------|------------------------------------|------------|
| ISO 2      | G 1/2                           | G 1/2                              | 5802510000 |

Dimensions



| Part No.   |       | A         | B*        | B1*       | C   | D    | E   | F  | G  | H   |
|------------|-------|-----------|-----------|-----------|-----|------|-----|----|----|-----|
| 5801510000 | ISO 1 | 2 x G 1/4 | 3 x G 3/8 | 3 x G 1/4 | 5.5 | 11   | 5.5 | 9  | 22 | 92  |
| 5802510000 | ISO 2 | 2 x G 3/8 | 3 x G 1/2 | 3 x G 1/4 | 6.5 | 14.5 | 10  | 12 | 29 | 102 |

| Part No.   | J  | K  | L           | M  | N  | O  | P    | R  | S   | T |
|------------|----|----|-------------|----|----|----|------|----|-----|---|
| 5801510000 | 24 | 12 | n x 43 + 44 | 12 | 36 | 22 | 45.7 | 17 | 106 | 8 |
| 5802510000 | 32 | 15 | n x 56 + 58 | 15 | 43 | 29 | 56   | 20 | 120 | 7 |



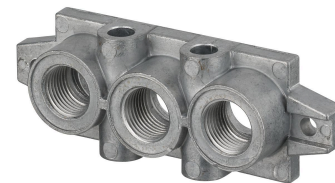
| Part No.   | U*        |
|------------|-----------|
| 5801510000 | 3 x G 3/8 |
| 5802510000 | 3 x G 1/2 |

n = number of subbases

\*Dimensions B, B1, and U are prepared with threaded connections but must be drilled through as required for the desired porting configuration.

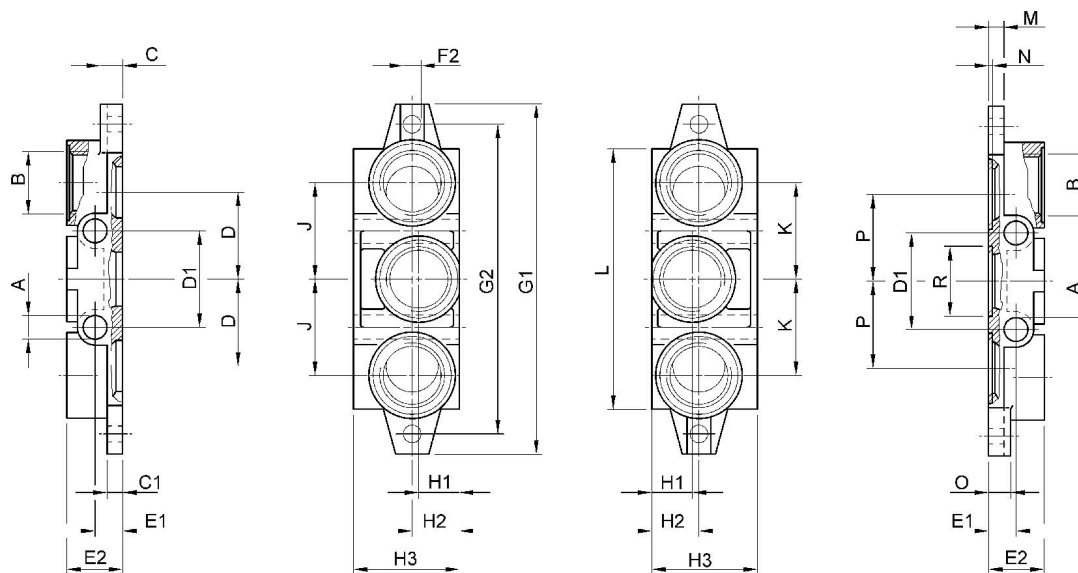
**End plate left, End plate right**

ISO 5599-1  
Internal thread  
G 1  
G 1



| Frame size | Compressed air connection input | Compressed air connection, exhaust | Part No.   |
|------------|---------------------------------|------------------------------------|------------|
| ISO 2      | G 1/2                           | G 1/2                              | 1825503148 |

Dimensions



| Part No.   | A  | B     | C  | C1 | D    | D1 | E1 | E2 | F2    | G1  |
|------------|----|-------|----|----|------|----|----|----|-------|-----|
| 1825503145 | 7  | G 3/8 | 8  | 6  | 24   | 28 | 11 | 22 | Ø 5,5 | 110 |
| 1825503148 | 9  | G 1/2 | 11 | 8  | 31,5 | 35 | 13 | 26 | Ø 6,6 | 135 |
| 1825503151 | 12 | G 1   | 12 | 8  | 47   | 52 | 15 | 32 | Ø 9   | 190 |
| 8985041442 | 12 | G 1   | 19 | 12 | 54   | 56 | 15 | 30 | Ø 11  | 215 |

| G2  | H1 | H2 | H3 | J  | K  | L   | M  | N   | O  | P    |
|-----|----|----|----|----|----|-----|----|-----|----|------|
| 95  | 22 | 22 | 46 | 28 | 28 | 85  | 6  | 2   | 8  | 24   |
| 115 | 23 | 24 | 47 | 34 | 34 | 100 | 8  | 2   | 11 | 31,5 |
| 168 | 22 | 25 | 56 | 52 | 52 | 140 | 8  | 2,7 | 12 | 47   |
| 148 | 30 | 30 | 58 | 54 | 54 |     | 12 | 2,7 | 19 | 54   |

|        |
|--------|
| R      |
| Ø 22,1 |

| R      |
|--------|
| Ø 28,7 |
| Ø 38   |
| Ø 44,1 |

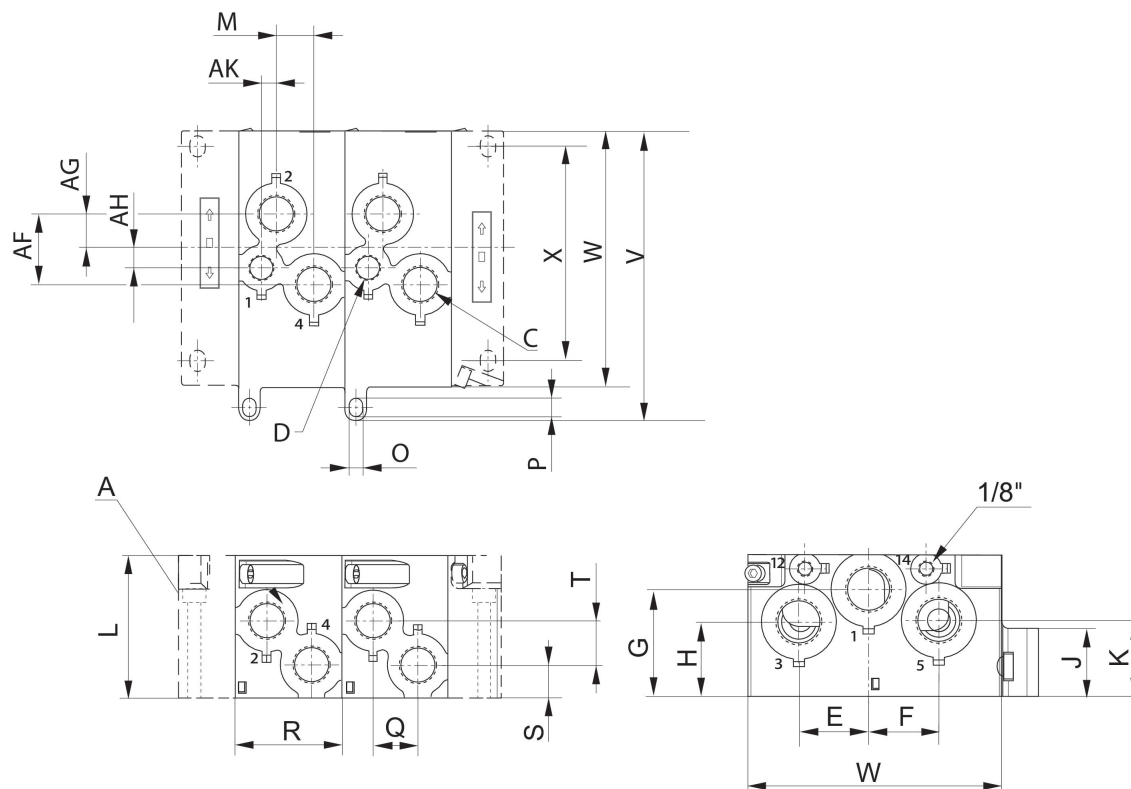
**Base plate**

ISO 5599-1  
Internal thread



| Frame size | Compressed air connection output | Part No.   |
|------------|----------------------------------|------------|
| ISO 1      | G 3/8                            | R432037639 |
| ISO 2      | G 1/2                            | R432037641 |
| ISO 3      | G 3/4                            | R432037643 |

Dimensions



A = left and right end plates in two versions

| Part No.   | A     | D     | C     | AF   | AG   | AH   | AK   | E  | F  | G    |
|------------|-------|-------|-------|------|------|------|------|----|----|------|
| R432037639 | G 1/4 | -     | G 3/8 | 23.8 | 11.8 | -    | -    | 23 | 18 | 15,5 |
| R432037641 | G 1/2 | G 3/8 | G 1/2 | 39.5 | 19   | 11   | 8.2  | 39 | 39 | 60   |
| R432037643 | G 3/4 | G 1/2 | G 3/4 | 46.3 | 25.1 | 11.2 | 15.8 | 49 | 49 | 76   |

| H    | J  | K    | L    | M    | O   | P   | R    | Q  | S    | T    |
|------|----|------|------|------|-----|-----|------|----|------|------|
| 30   | 20 | 37,5 | 60.6 | 12   | 5.5 | 8.5 | 45   | 18 | 13.3 | 14.7 |
| 41,5 | 38 | 42,5 | 79.7 | 21   | 5.5 | 9.3 | 59.5 | 25 | 18   | 24.8 |
| 53   | 32 | 53   | 100  | 22.5 | 6.3 | 9.3 | 80   | 38 | 24.5 | 20.5 |

| X     | W   | V     |
|-------|-----|-------|
| 102,5 | 135 | 150   |
| 119,6 | 143 | 162,5 |
| 99    | 164 | 183   |

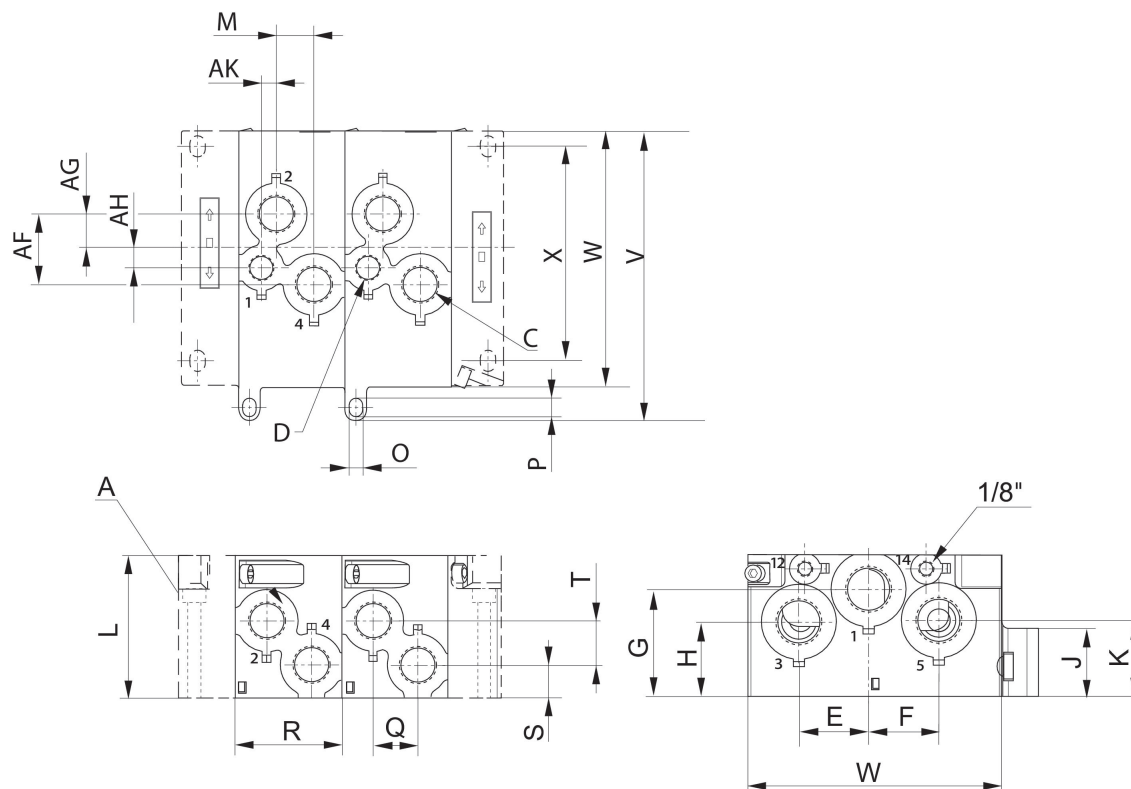
**ISO 5599-1, Base and end plates, Inch version**

ISO 5599-1  
Internal thread



| Frame size | Compressed air connection output | Part No.   |
|------------|----------------------------------|------------|
| ISO 1      | 3/8 NPT                          | R432037640 |
| ISO 2      | 1/2 NPT                          | R432037642 |
| ISO 3      | 3/4 NPT                          | R432037644 |

Dimensions



A = left and right end plates in two versions

| Part No.   | A       | D       | C       | F    | G    | H    | K    | L    | M    | O   |
|------------|---------|---------|---------|------|------|------|------|------|------|-----|
| R432037640 | 1/4 NPT | -       | 3/8 NPT | 23.8 | 11.8 | -    | -    | 60.6 | 12   | 5.5 |
| R432037642 | 1/2 NPT | 3/8 NPT | 1/2 NPT | 39.5 | 19   | 11   | 8.2  | 79.7 | 21   | 5.5 |
| R432037644 | 3/4 NPT | 1/2 NPT | 3/4 NPT | 46.3 | 25.1 | 11.2 | 15.8 | 100  | 22.5 | 6.3 |

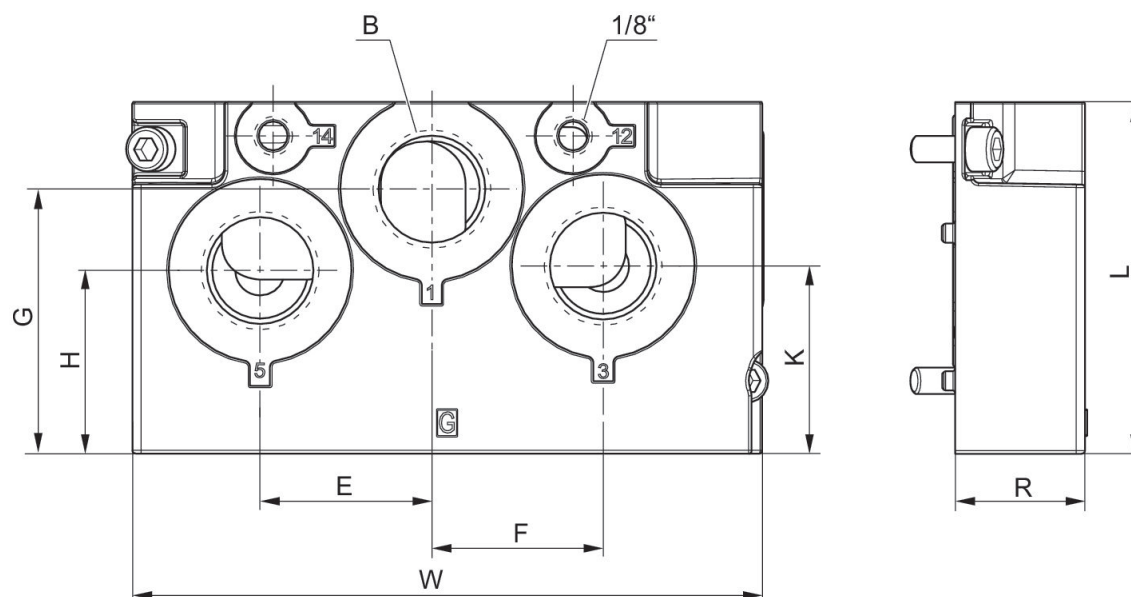
| P   | R    | Q  | S    | T    |
|-----|------|----|------|------|
| 8.5 | 45   | 18 | 13.3 | 14.7 |
| 9.3 | 59.5 | 25 | 18   | 24.8 |
| 9.3 | 80   | 38 | 24.5 | 20.5 |

**End plate left**

ISO 5599-1



| Frame size | Compressed air connection input | Compressed air connection, exhaust | Part No.   |
|------------|---------------------------------|------------------------------------|------------|
| ISO 1      | G 3/8                           | G 3/8                              | R432037645 |
| ISO 2      | G 3/4                           | G 3/4                              | R432037647 |
| ISO 3      | G 1                             | G 1                                | R432037649 |



| Part No.   | B   | E  | F  | G    | H    | J  | K    | L    | R  | W   |
|------------|-----|----|----|------|------|----|------|------|----|-----|
| R432037645 | 3/8 | 23 | 18 | 15.5 | 30   | 20 | 37.5 | 60.6 | 25 | 135 |
| R432037647 | 3/4 | 39 | 39 | 60   | 41.5 | 38 | 42.5 | 79.7 | 32 | 143 |
| R432037649 | 1   | 49 | 49 | 76   | 53   | 32 | 53   | 100  | 37 | 164 |



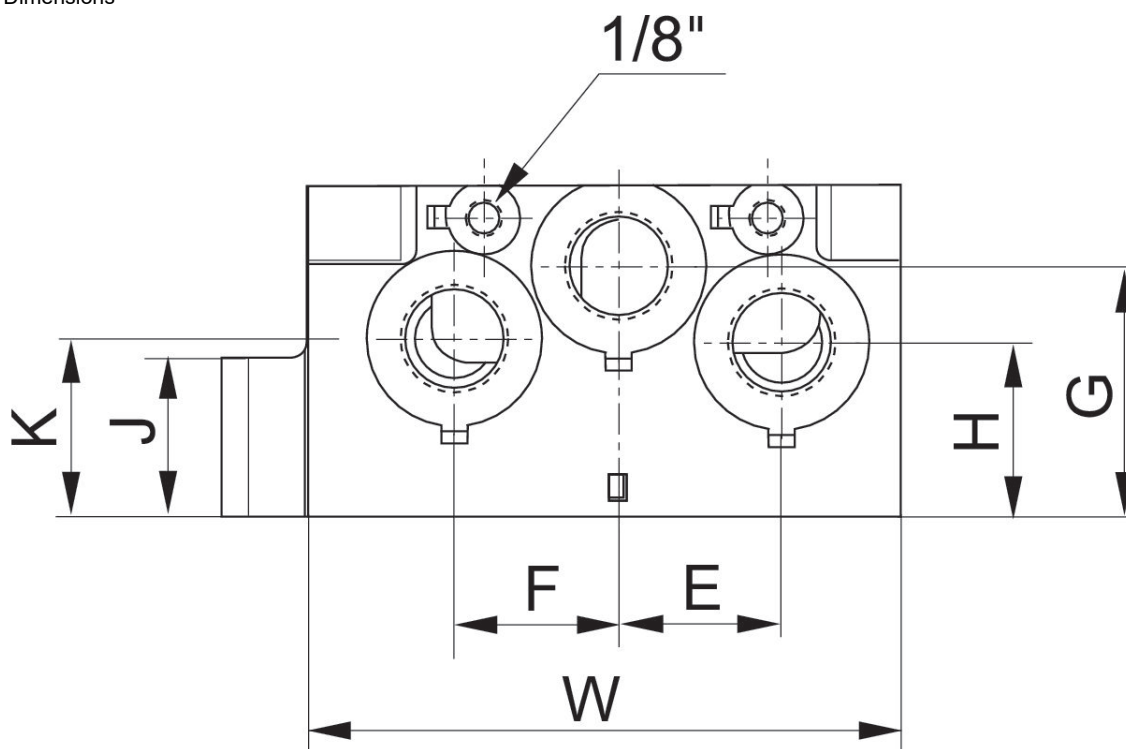
**End plate left**

ISO 5599-1



| Frame size | Compressed air connection input | Compressed air connection, exhaust | Part No.   |
|------------|---------------------------------|------------------------------------|------------|
| ISO 1      | 3/8 NPT                         | 3/8 NPT                            | R432037646 |
| ISO 2      | 3/4 NPT                         | 3/4 NPT                            | R432037648 |
| ISO 3      | 1 NPT                           | 1 NPT                              | R432037650 |

Dimensions



| Part No.   | E  | F  | G    | H    | J  | K    | W   |
|------------|----|----|------|------|----|------|-----|
| R432037646 | 23 | 18 | 15.5 | 30   | 20 | 37.5 | 135 |
| R432037648 | 39 | 39 | 60   | 41.5 | 38 | 42.5 | 143 |
| R432037650 | 49 | 49 | 76   | 53   | 32 | 53   | 164 |

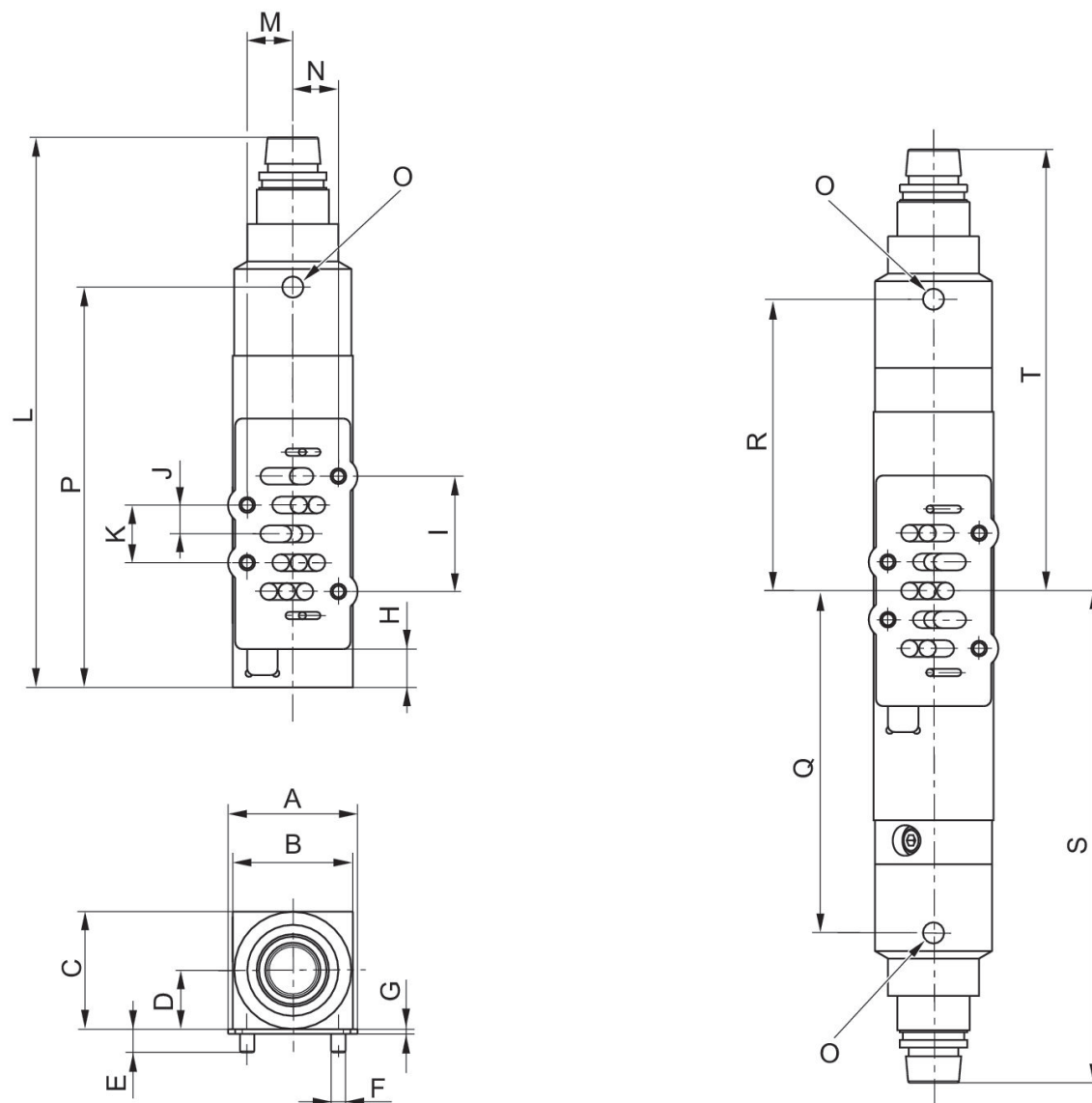
**Pressure regulator**

ISO 5599-1



| Controlled port | Nominal flow [l/min] | Min. regulation range [bar] | Max. regulation range [bar] | Part No.   |
|-----------------|----------------------|-----------------------------|-----------------------------|------------|
| 1               | 1050                 | 0.5                         | 8                           | R422103092 |
| 2               | 1070                 | 0.5                         | 8                           | R422103093 |
| 2, 4            | 1070                 | 0.5                         | 8                           | R422103094 |
| 1               | 1050                 | 0.5                         | 8                           | R422103095 |

Dimensions



| Part No.   | A  | B  | C     | D     | E    | F  | G | H     | I  | J  |
|------------|----|----|-------|-------|------|----|---|-------|----|----|
| R422103092 | 54 | 50 | 48.90 | 24.45 | 9.70 | M6 | 2 | 15.90 | 48 | 12 |
| R422103093 | 54 | 50 | 48.90 | 24.45 | 9.70 | M6 | 2 | 15.90 | 48 | 12 |
| R422103094 | 54 | 50 | 48.90 | 24.45 | 9.70 | M6 | 2 | -     | 48 | 12 |
| R422103095 | 54 | 50 | 48.90 | 24.45 | 9.70 | M6 | 2 | -     | 48 | 12 |

| Part No.   | K  | L      | M  | N  | O     | P      | Q      | R      | S      | T      |
|------------|----|--------|----|----|-------|--------|--------|--------|--------|--------|
| R422103092 | 24 | 228.90 | 19 | 19 | G 1/8 | 166.58 | -      | -      | -      | -      |
| R422103093 | 24 | 247.20 | 19 | 19 | G 1/8 | 183.84 | -      | -      | -      | -      |
| R422103094 | 24 | -      | 19 | 19 | G 1/8 | -      | 142.34 | 121.34 | 204.66 | 183.66 |
| R422103095 | 24 | -      | 19 | 19 | G 1/8 | -      | -      | -      | -      | -      |

**Blanking piece**

ISO 5599-1



| Part No.   |
|------------|
| 5802530000 |

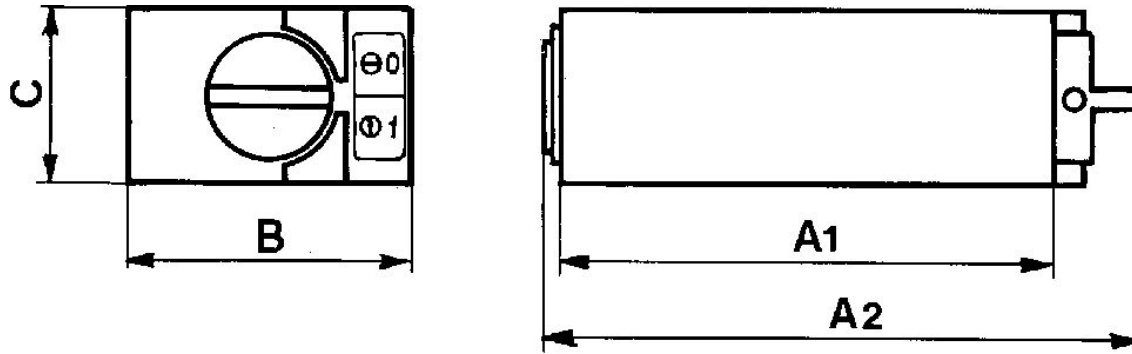
**Stop plate to exchange valve**

ISO 5599-1  
581



| Part No.   |
|------------|
| 5802590000 |

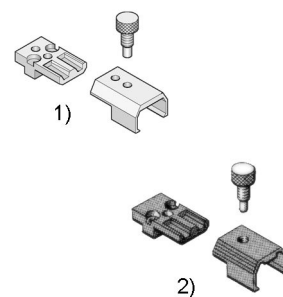
Dimensions



| Part No.   | A1 | A2  | B  | C  |
|------------|----|-----|----|----|
| 5802590000 | 87 | 104 | 50 | 28 |

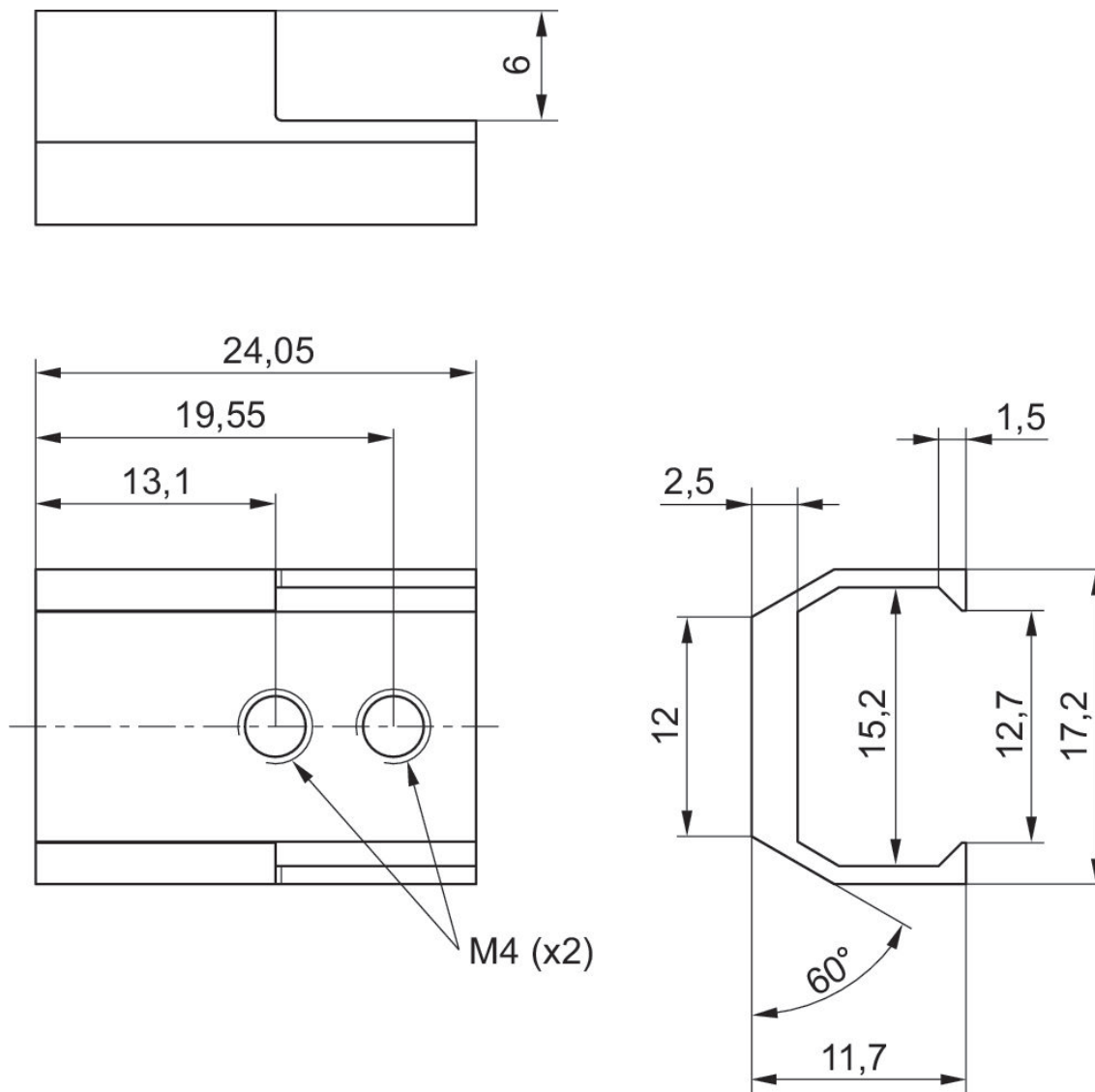
**Control unit for manual override**

581



| Type  | Part No.   |
|---|------------|
| for double-sided electrically actuated valves, 15 pilot valve width | 0493835718 |

Dimensions



**Blanking piece**



| Type           | Type  | Part No.   |
|----------------|-------|------------|
| Blanking piece | ISO 1 | R432038306 |
| Blanking piece | ISO 2 | R432037662 |
| Blanking piece | ISO 3 | R432037663 |

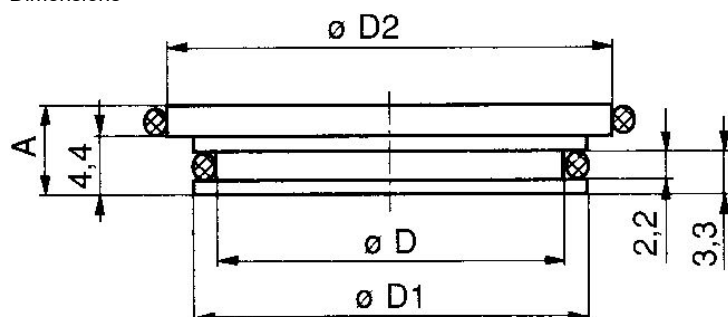
**Blanking piece, Subbases ISO 5599-1**

ISO 5599-1



| Type  | Part No.   |
|-------|------------|
| ISO 2 | 8985049022 |

Dimensions



| Part No.   | A   | D    | D1   | D2   |
|------------|-----|------|------|------|
| 8985049012 | 6.2 | 12.2 | 14.8 | 16.5 |
| 8985049022 | 6.2 | 15.7 | 18.3 | 23   |
| 8985049032 | 6.9 | 25.1 | 27.7 | 30   |

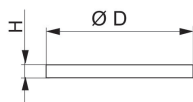


**Separator set**

ISO 5599-1



| Type | Type         | Delivery unit [piece] | Part No.   |
|------|--------------|-----------------------|------------|
| b    | ISO 1, ISO 2 | 3                     | 5802880000 |



| Part No.   | D    | H   |
|------------|------|-----|
| 5801880000 | 13,2 | 2   |
| 5802880000 | 17,2 | 2   |
| 5803880000 | 20,5 | 2,2 |
| 5804880000 | 24,5 | 2,2 |

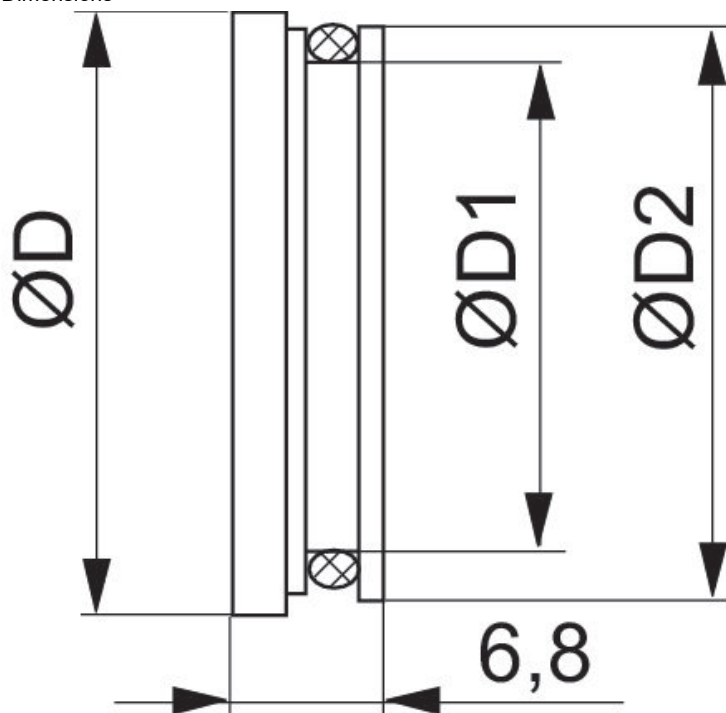
**Blanking piece**

ISO 5599-1



| Type                  | Type  | Part No.   |
|-----------------------|-------|------------|
| Blanking piece, ISO 2 | ISO 2 | 1820220023 |

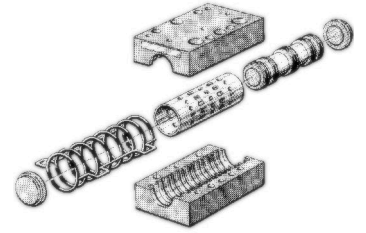
Dimensions



| Part No.   | Ø D  | Ø D1 | Ø D2 |
|------------|------|------|------|
| 1820220021 | 16.6 | 11.8 | 15.8 |
| 1820220023 | 23   | 14.3 | 18.2 |
| 1820220013 | 29.3 | 23.8 | 27.7 |
| 1820A20013 | 29.3 | 23.8 | 27.7 |

**valve housing, without cover**

ISO 5599-1  
581



| Type   | Part No.   |
|--|------------|
| 5/2-directional valve, mono-stable                           | 5812100000 |
| 5/2-directional valve, double solenoid                       | 5812200000 |
| 5/2-directional valve, double solenoid, with manual override | 5812300000 |
| 5/3-directional valve, closed center                         | 5812400000 |
| 5/3-directional valve, exhausted center                      | 5812500000 |
| 5/2-way solenoid valve, with differential piston             | 5812600000 |
| 5/3-directional valve, pressurized center                    | 5812700000 |

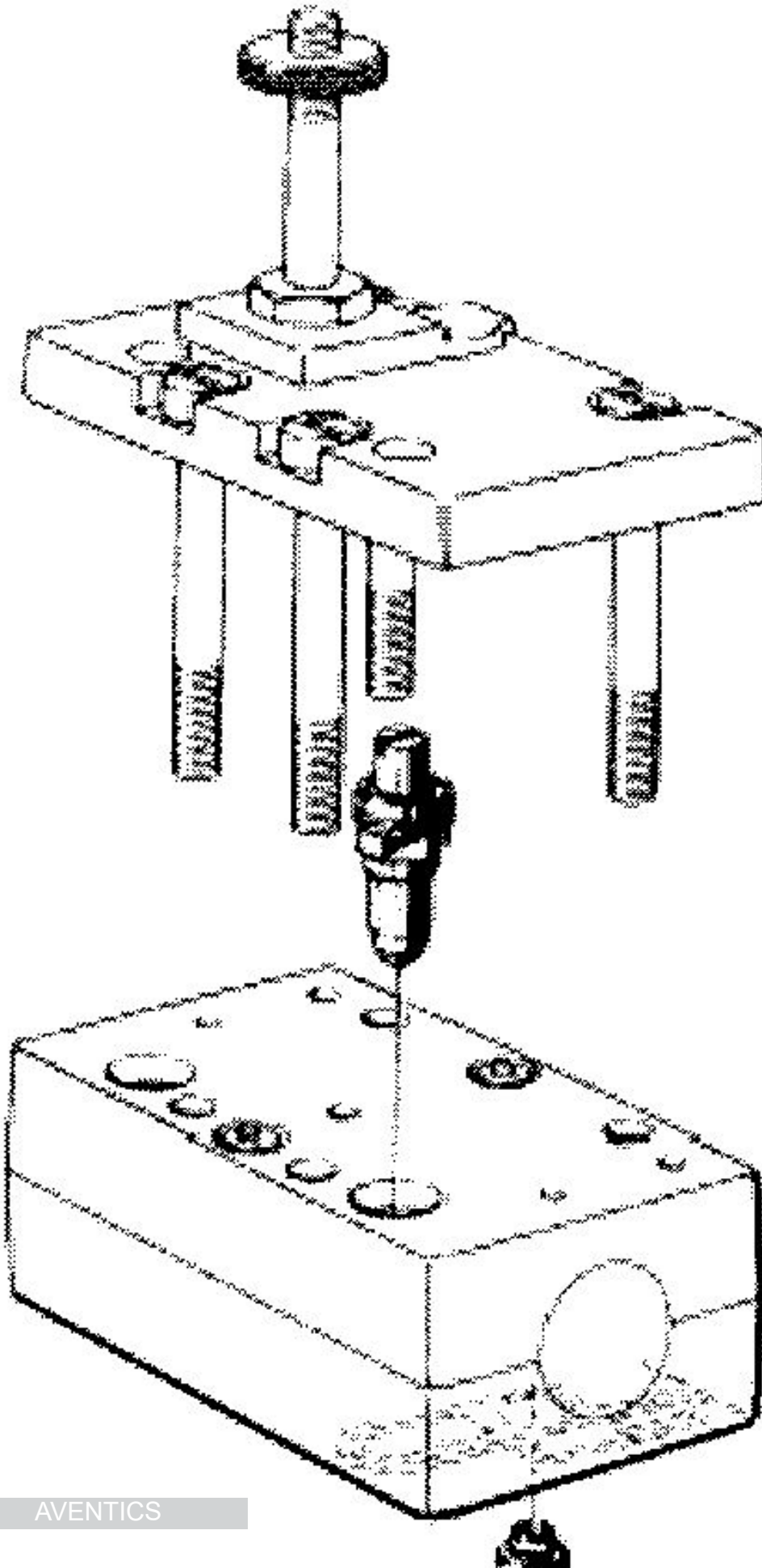
**throttle insert for flow control in 3/5**

581



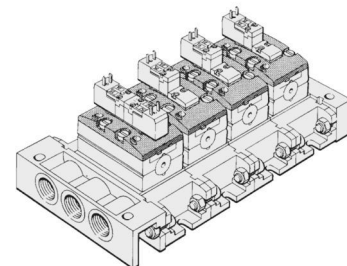
| Part No.   |
|------------|
| 5812001000 |

Dimensions



**valve cover, with or without pilot valve**

ISO 5599-1  
581



| Type                                   | Part No.   |
|--|------------|
| 5/2-directional valve, single solenoid | 0493842706 |
| 2x3/2-, 5/2-, 5/3-directional valve    | 0493842803 |
| 5/2-directional valve, mono-stable     | 5812010000 |
| 2x3/2-, 5/2-, 5/3-directional valve    | 5812020000 |
| 5/2-directional valve, mono-stable     | 5812050000 |
| 2x3/2-, 5/2-, 5/3-directional valve    | 5812060000 |
| all                                    | 5812080000 |

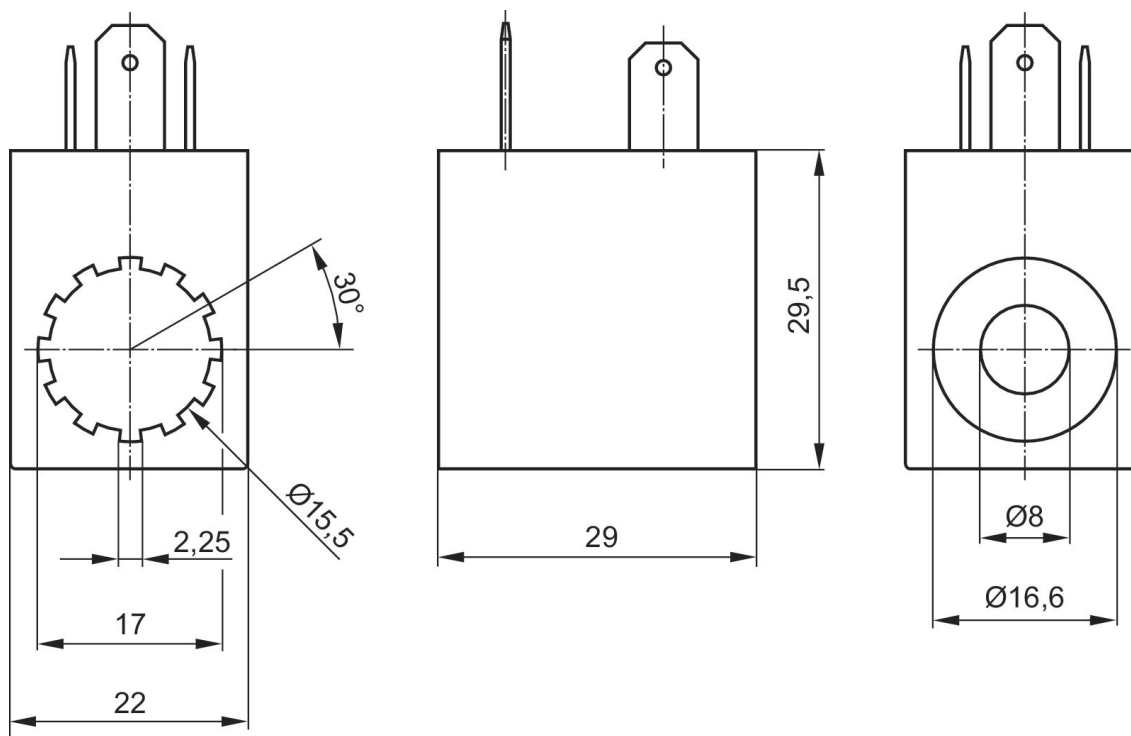
**Coil, Series CO1**

Plug  
Form B, industry



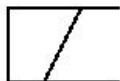
| Operational voltage | Operational voltage AC at 50 Hz | Voltage tolerance DC | Voltage tolerance AC 50 Hz | Power consumption DC [W] | Holding power AC 50 Hz [VA] | Switch-on power AC 50 Hz [VA] | Part No.   |
|---------------------|---------------------------------|----------------------|----------------------------|--------------------------|-----------------------------|-------------------------------|------------|
| 12 V                |                                 |                      |                            | 5                        |                             |                               | 0498317405 |
| 24 V                |                                 | -10% / +10%          |                            | 5                        |                             |                               | 0498317502 |
| 24 V                |                                 | -10% / +10%          |                            | 2                        |                             |                               | 0498318800 |
| 48 V                |                                 |                      |                            | 5                        |                             |                               | 0498317618 |
| 110 V               |                                 | -10% / +10%          |                            | 5                        |                             |                               | 0498317707 |
| 220 V               |                                 | -10% / +10%          |                            | 5                        |                             |                               | 0498317804 |
|                     | 24 V                            |                      | -10% / +10%                |                          | 8                           | 10                            | 0498316905 |
|                     | 48 V                            |                      | -10% / +10%                |                          | 8                           | 10                            | 0498317006 |
|                     | 110 V                           |                      | -10% / +10%                |                          | 8                           | 10                            | 0498317103 |
|                     | 230 V                           |                      | -10% / +10%                |                          | 8                           | 10                            | 0498322506 |

Dimensions



**Coil, Series CO1**

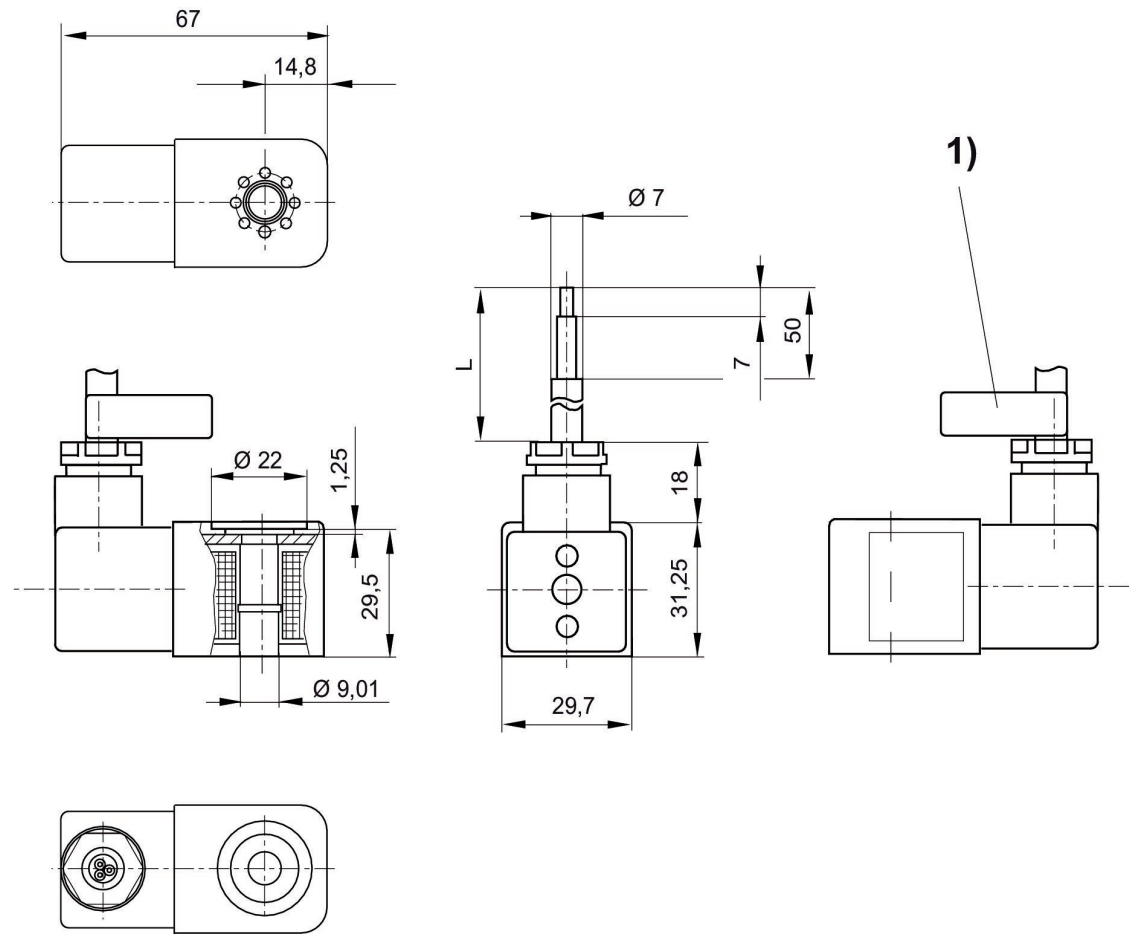
ATEX



| Operational voltage | Operational voltage AC at 50 Hz | Operational voltage AC at 60 Hz | Voltage tolerance DC | Voltage tolerance AC 50 Hz | Power consumption DC [W] | Holding power AC 50 Hz [VA] | Switch-on power AC 50 Hz [VA] | Cable length [m] | Compatibility index | Part No.   |
|---------------------|---------------------------------|---------------------------------|----------------------|----------------------------|--------------------------|-----------------------------|-------------------------------|------------------|---------------------|------------|
|                     | 230 V                           | 230 V                           |                      | -10% / +10%                |                          | 3                           | 3.1                           | 3                | 14                  | 1827414297 |
|                     | 230 V                           | 230 V                           |                      | -10% / +10%                |                          | 3                           | 3.1                           | 10               | 14                  | 1827414298 |
|                     | 110 V                           | 110 V                           |                      | -10% / +10%                |                          | 2.9                         | 3                             | 3                | 14                  | 1827414299 |
|                     | 24 V                            | 24 V                            |                      | -10% / +10%                |                          | 2.9                         | 3                             | 3                | 14                  | 1827414301 |
| 24 V                |                                 |                                 | -10% / +10%          |                            | 3.25                     |                             |                               | 3                | 14                  | 1827414303 |
| 24 V                |                                 |                                 | -10% / +10%          |                            | 3.25                     |                             |                               | 10               | 14                  | 1827414304 |



Dimensions



L = cable length  
1) Cable ID band with serial number

**Valve plug connector, series CON-VP**

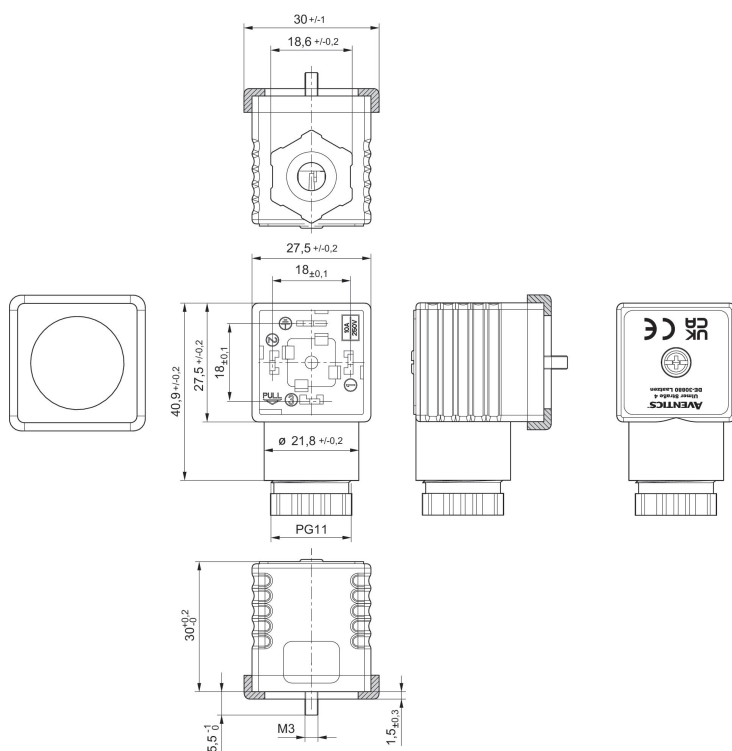
EN 175301-803, form A  
CE declaration of conformity  
UKCA



| Operational voltage | Max. current [A] | Contact assignment | min. suitable cable Ø [mm] | max. suitable cable Ø [mm] | Part No.   |
|---------------------|------------------|--------------------|----------------------------|----------------------------|------------|
| 300 V DC / 250 V AC | 10               | 2+E                | 4                          | 9.5                        | 1834484048 |

**1834484048**

Dimensions



Profile seal

**Valve plug connector, series CON-VP**

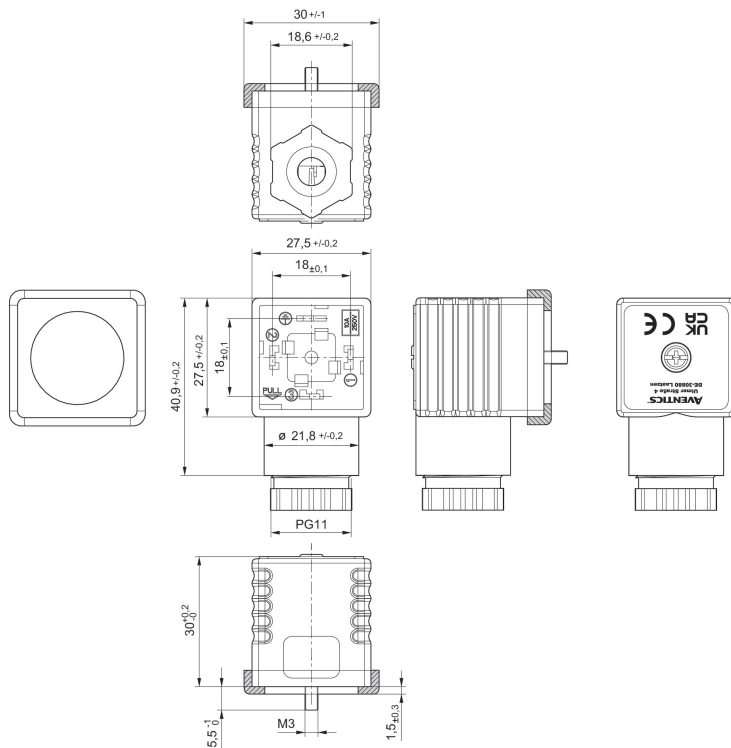
EN 175301-803, form A  
CE declaration of conformity  
UKCA



| Operational voltage | Max. current [A] | Contact assignment | min. suitable cable Ø [mm] | max. suitable cable Ø [mm] | Part No.   |
|---------------------|------------------|--------------------|----------------------------|----------------------------|------------|
| 300 V DC / 250 V AC | 10               | 3+E                | 4                          | 9.5                        | 1834484059 |

**1834484059**

Dimensions



Profile seal

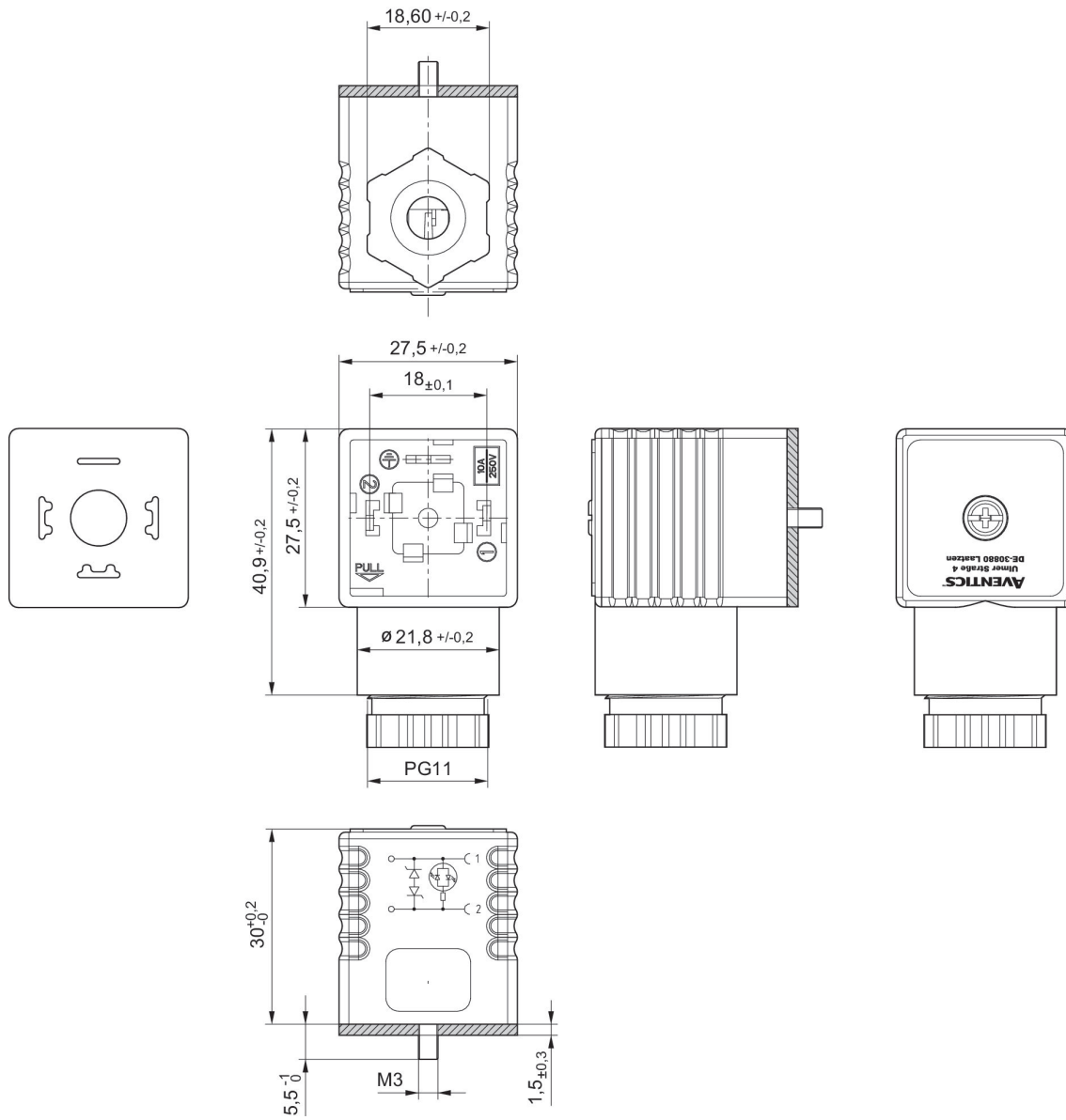
**Valve plug connector, series CON-VP**

EN 175301-803, form A



| Operational voltage | Protective circuit | Max. current [A] | Contact assignment | LED status display | min. suitable cable Ø [mm] | max. suitable cable Ø [mm] | Part No.   |
|---------------------|--------------------|------------------|--------------------|--------------------|----------------------------|----------------------------|------------|
| 24 V AC/DC          | 2 Z-diodes         | 1.5              | 2+E                | Yellow             | 4                          | 9.5                        | 1834484101 |

Dimensions



Flat gasket

**Valve plug connector, series CON-VP**

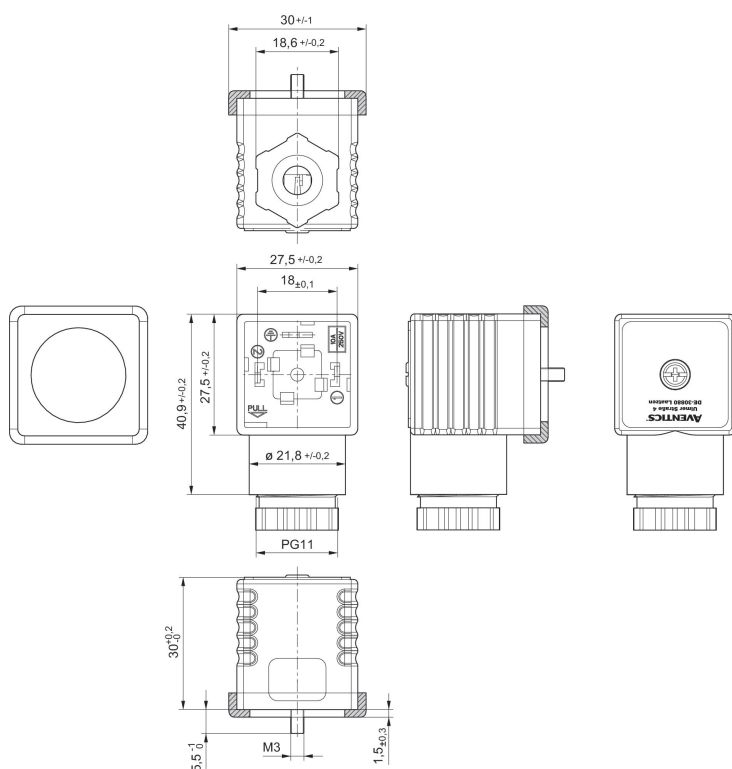
EN 175301-803, form A



| Operational voltage | Protective circuit | Max. current [A] | Contact assignment | LED status display | min. suitable cable Ø [mm] | max. suitable cable Ø [mm] | Part No.   |
|---------------------|--------------------|------------------|--------------------|--------------------|----------------------------|----------------------------|------------|
| 24 V AC/DC          | Varistor           | 1.5              | 2+E                | Green              | 4                          | 9.5                        | 8941016102 |

**8941016102**

Dimensions



Profile seal

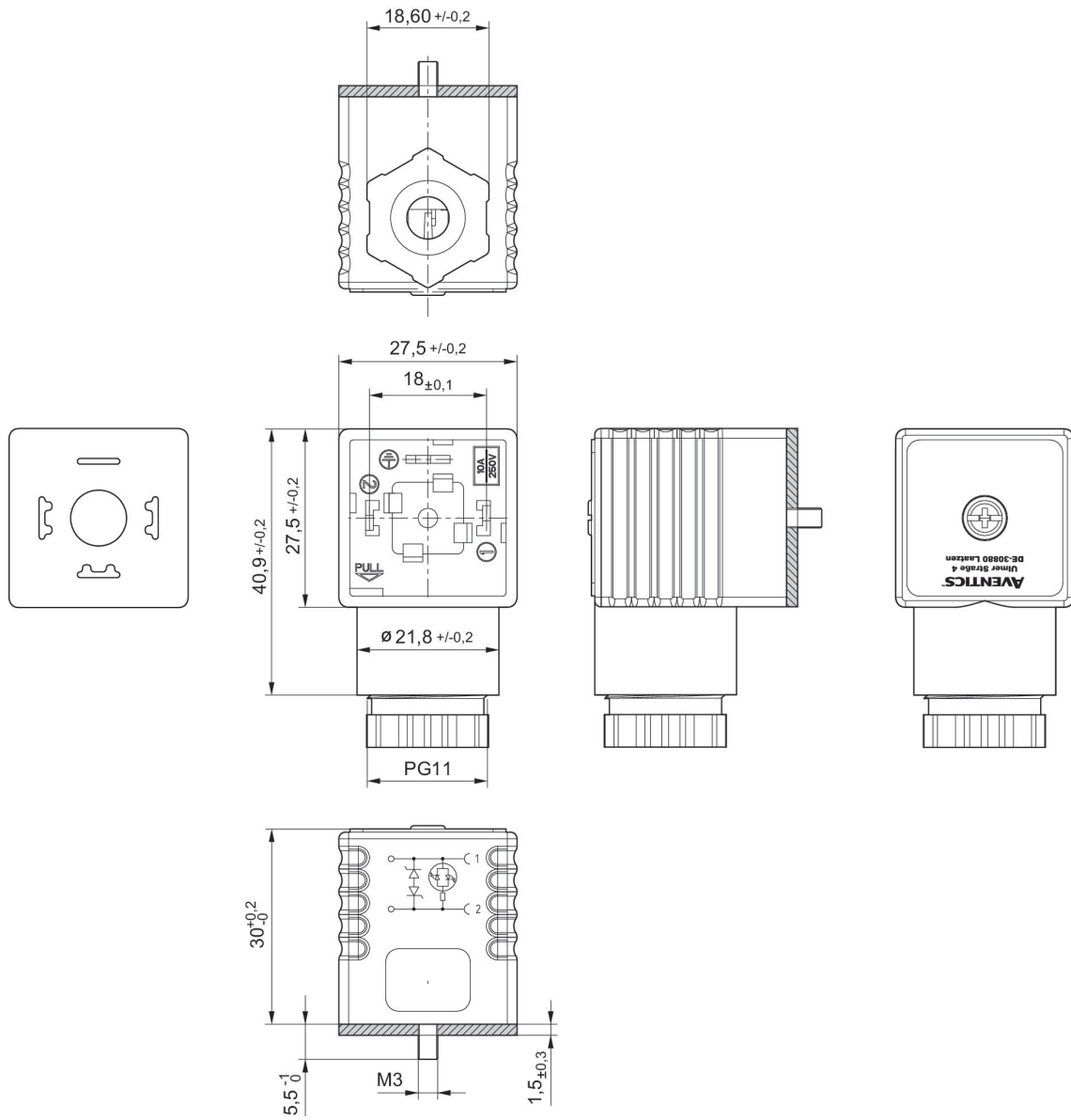
**Valve plug connector, series CON-VP**

EN 175301-803, form A  
CE declaration of conformity  
UKCA



| Operational voltage | Protective circuit | Contact assignment | LED status display | min. suitable cable Ø [mm] | max. suitable cable Ø [mm] | Part No.   |
|---------------------|--------------------|--------------------|--------------------|----------------------------|----------------------------|------------|
| 115 V AC/DC         | Varistor           | 2+E                | Red                | 6.5                        | 9.5                        | 1834484102 |
| 230 V AC/DC         | Varistor           | 2+E                | Red                | 6.5                        | 9.5                        | 1834484103 |

Dimensions



Flat gasket



**Valve plug connector, series CON-VP**

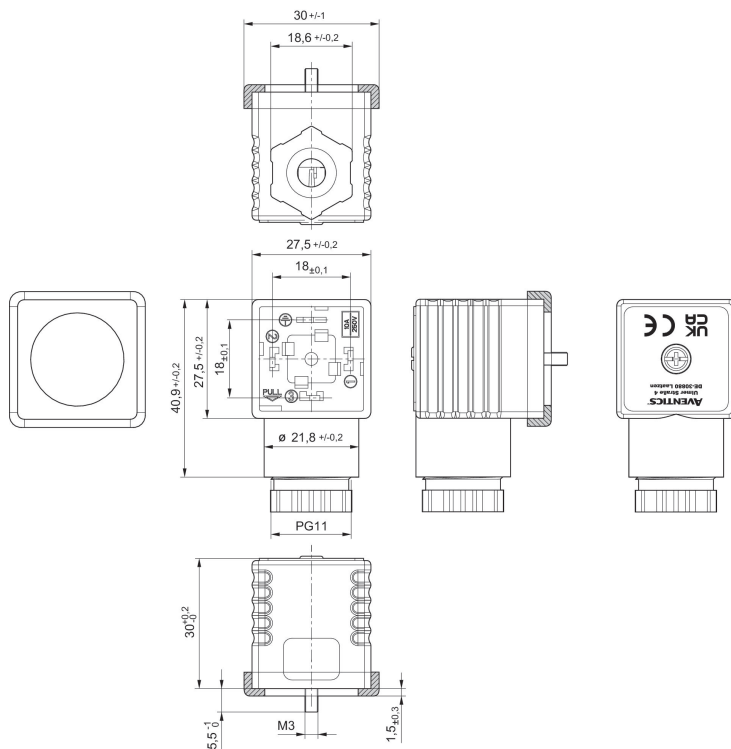
EN 175301-803, form A  
CE declaration of conformity  
UKCA



| Operational voltage | Protective circuit | Contact assignment | LED status display | min. suitable cable Ø [mm] | max. suitable cable Ø [mm] | Part No.   |
|---------------------|--------------------|--------------------|--------------------|----------------------------|----------------------------|------------|
| 230 V AC/DC         | Varistor           | 2+E                | Green              | 6.5                        | 9.5                        | 8941016112 |

**8941016112**

Dimensions



Profile seal

**Valve plug connector, series CON-VP**

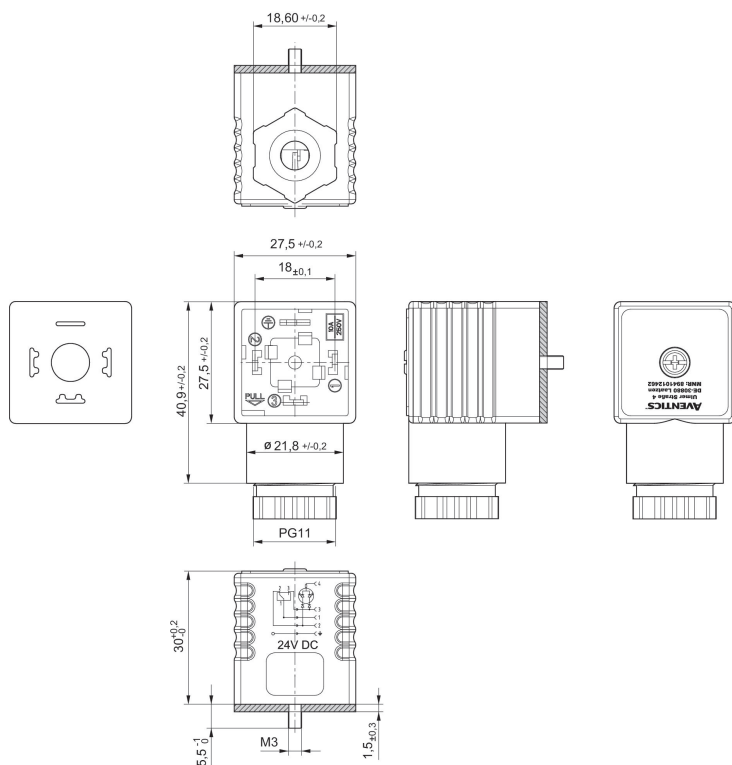
EN 175301-803, form A



| Operational voltage | Protective circuit | Max. current [A] | Contact assignment | LED status display | min. suitable cable Ø [mm] | max. suitable cable Ø [mm] | Part No.   |
|---------------------|--------------------|------------------|--------------------|--------------------|----------------------------|----------------------------|------------|
| 24 V DC             | 2 diodes (1 A)     | 1                | 3+E                | green/red          | 4                          | 9.5                        | 8941012462 |

**8941012462**

Dimensions



Flat gasket

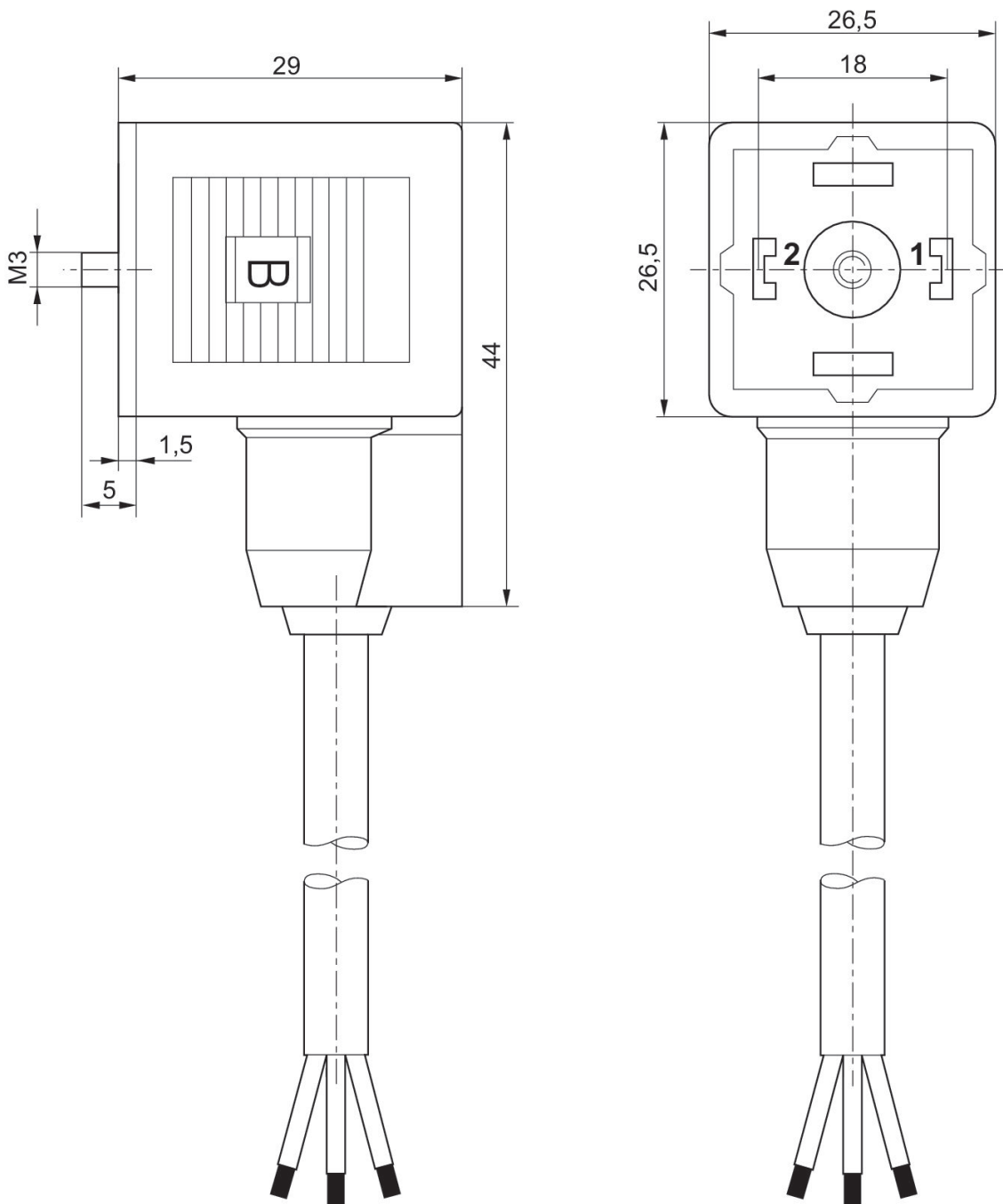
**Valve plug connector, series CON-VP**

form A



| Operational voltage | Contact assignment | Cable-Ø [mm] | Cable length [m] | Part No.   |
|---------------------|--------------------|--------------|------------------|------------|
| 230 V AC/DC         | 2+E                | 5.9          | 3                | 1834484160 |

Dimensions



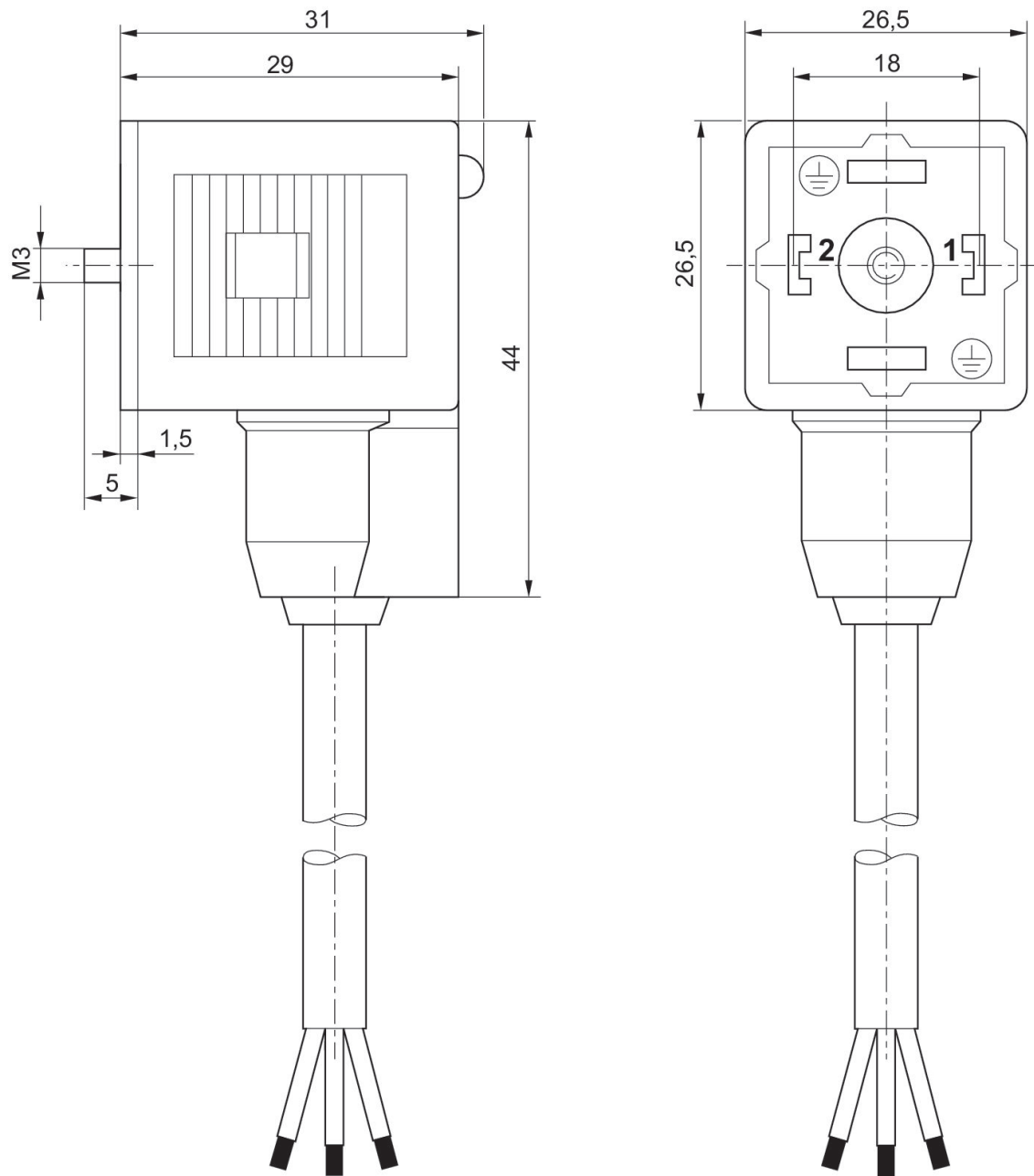
**Valve plug connector, series CON-VP**

form A



| Operational voltage | Protective circuit | Contact assignment | LED status display | Cable-Ø [mm] | Cable length [m] | Part No.   |
|---------------------|--------------------|--------------------|--------------------|--------------|------------------|------------|
| 24 V AC/DC          | Z-diode            | 2+E                | Yellow             | 5.9          | 3                | 1834484162 |
| 24 V AC/DC          | Z-diode            | 2+E                | Yellow             | 5.9          | 5                | 1834484163 |
| 230 V AC/DC         | Varistor           | 2+E                | Red                | 5.9          | 3                | 1834484164 |
| 230 V AC/DC         | Varistor           | 2+E                | Red                | 5.9          | 5                | 1834484165 |

Dimensions



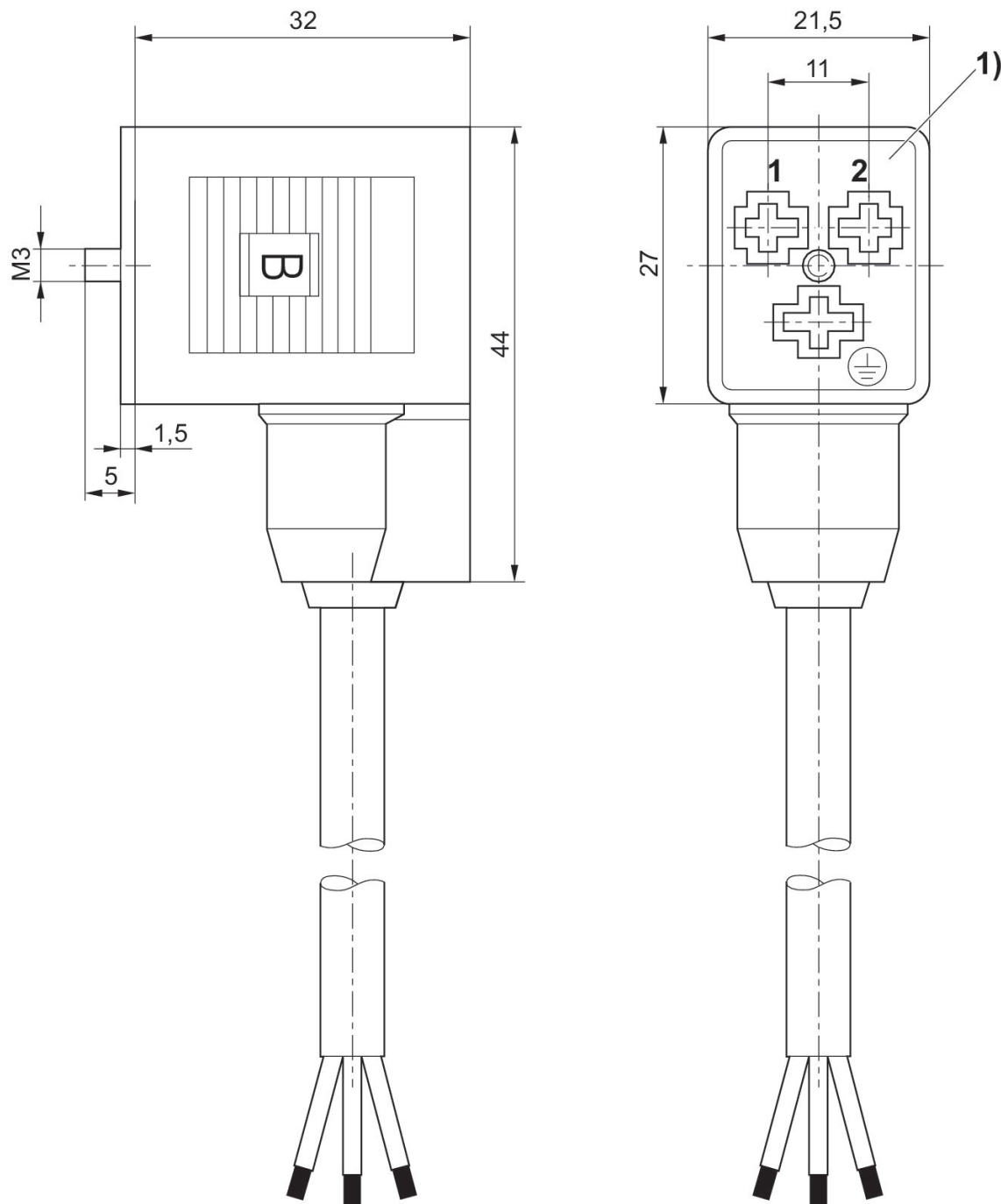
**Valve plug connector, series CON-VP**

Form B, industry



| Max. current [A] | Contact assignment | Cable-Ø [mm] | Cable length [m] | Part No.   |
|------------------|--------------------|--------------|------------------|------------|
| 4                | 2+E                | 5.9          | 3                | 8946201912 |

Dimensions



1) 0° female insert



**Valve plug connector, series CON-VP**

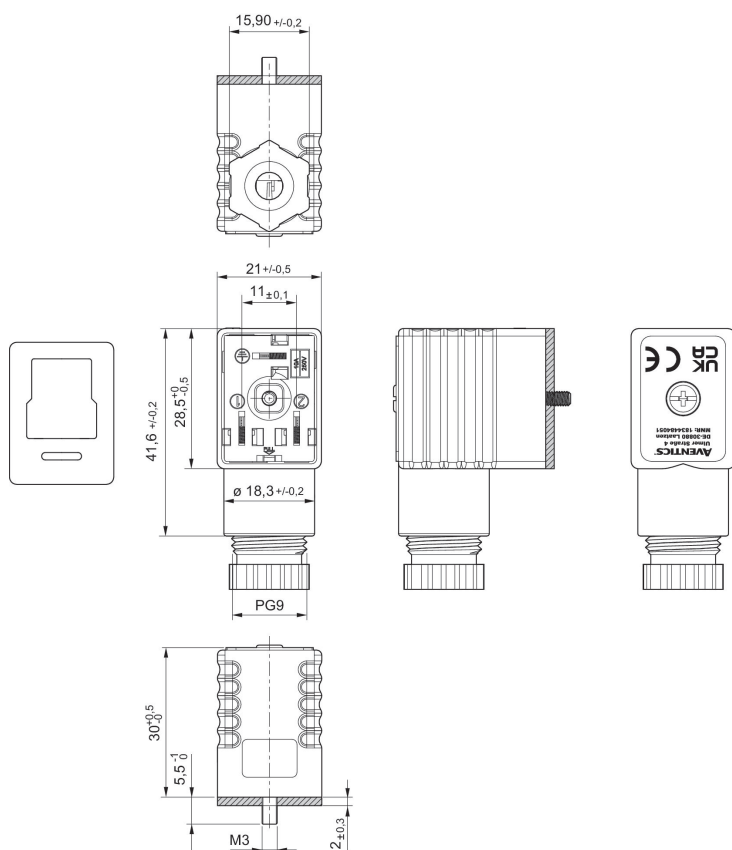
Form B, industry  
CE declaration of conformity  
UKCA



| Operational voltage | Max. current [A] | Contact assignment | min. suitable cable Ø [mm] | max. suitable cable Ø [mm] | Part No.   |
|---------------------|------------------|--------------------|----------------------------|----------------------------|------------|
| 300 V DC / 250 V AC | 10               | 2+E                | 4                          | 8                          | 1834484051 |

**1834484051**

Dimensions



Flat gasket

**Valve plug connector, series CON-VP**

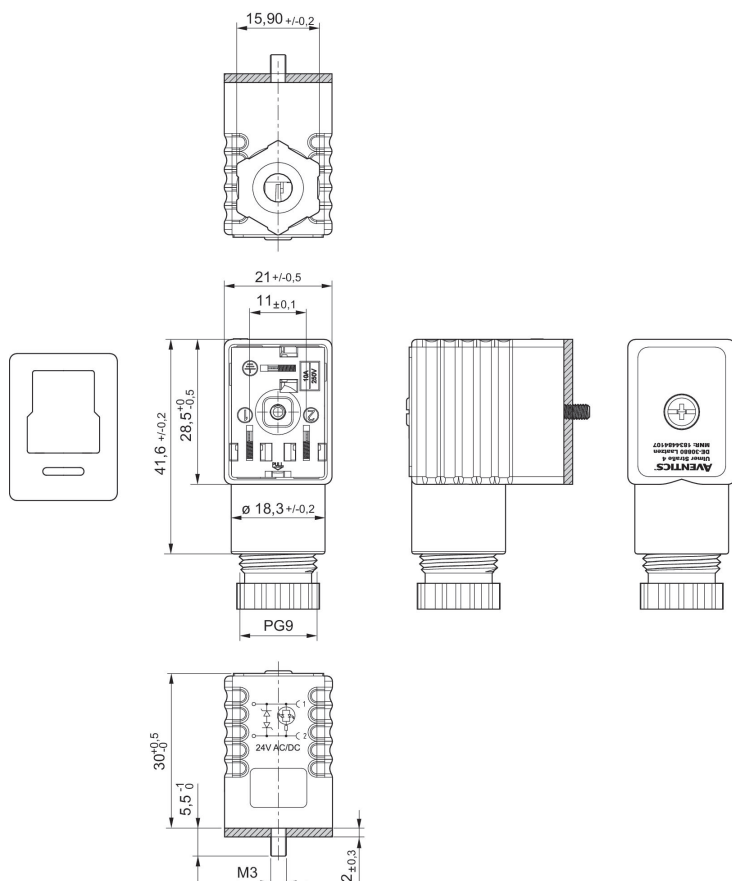
Form B, industry



| Operational voltage | Protective circuit | Max. current [A] | Contact assignment | LED status display | min. suitable cable Ø [mm] | max. suitable cable Ø [mm] | Part No.   |
|---------------------|--------------------|------------------|--------------------|--------------------|----------------------------|----------------------------|------------|
| 24 V AC/DC          | 2 Z-diodes         | 1.5              | 2+E                | Yellow             | 4                          | 8                          | 1834484107 |

**1834484107**

Dimensions



Flat gasket

**Valve plug connector, series CON-VP**

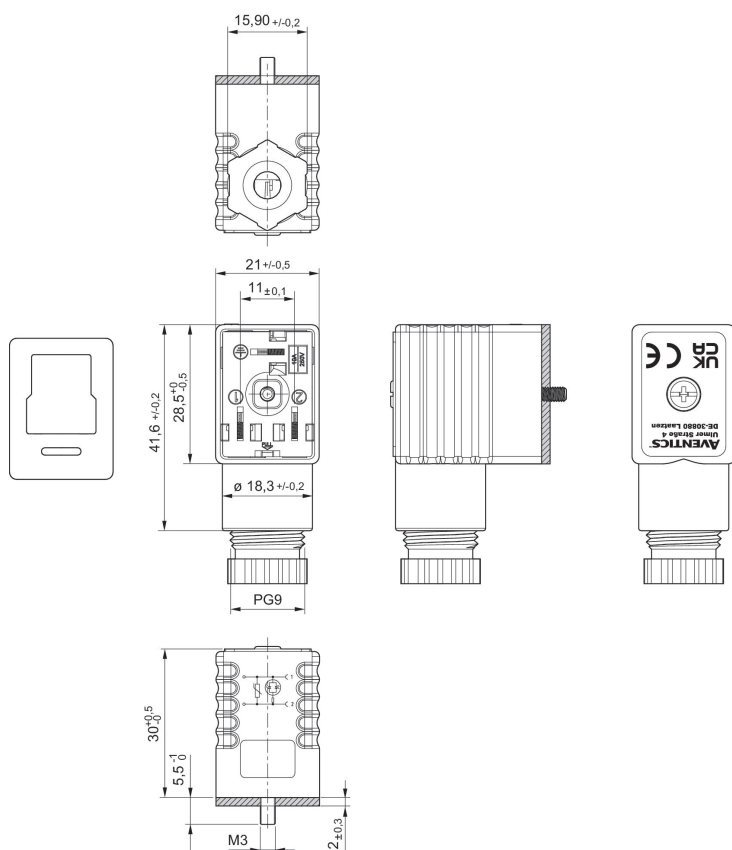
Form B, industry  
CE declaration of conformity  
UKCA



| Operational voltage | Protective circuit | Max. current [A] | Contact assignment | LED status display | min. suitable cable Ø [mm] | max. suitable cable Ø [mm] | Part No.   |
|---------------------|--------------------|------------------|--------------------|--------------------|----------------------------|----------------------------|------------|
| 115 V AC/DC         | Varistor           | 1.5              | 2+E                | Red                | 4                          | 8                          | 1834484108 |
| 230 V AC/DC         | Varistor           | 1.5              | 2+E                | Red                | 4                          | 8                          | 1834484109 |

**1834484108, 1834484109**

Dimensions



Flat gasket

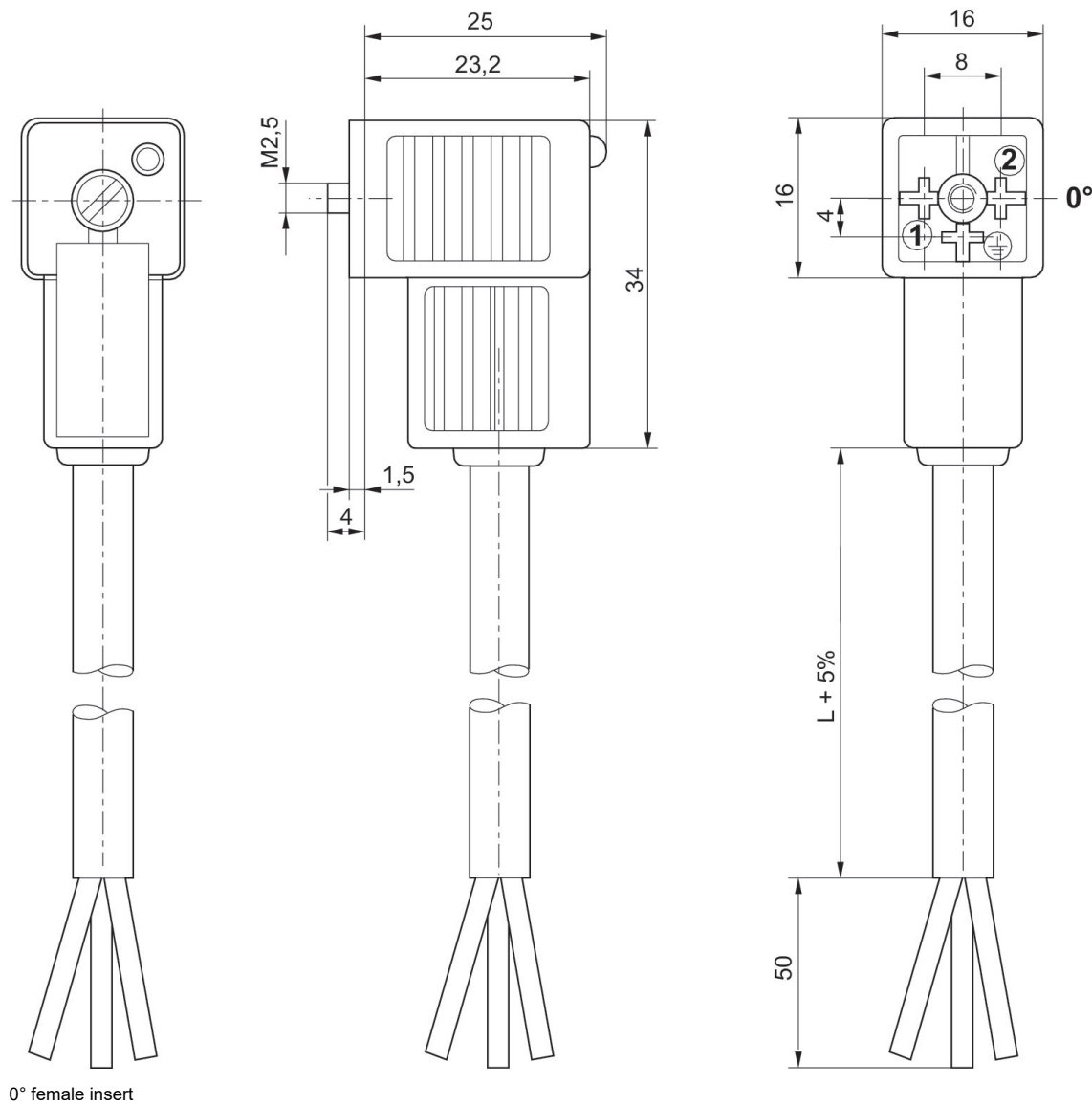
**Valve plug connector, series CON-VP**

form C



| Operational voltage | Protective circuit | Max. current [A] | Contact assignment | LED status display | Cable-Ø [mm] | Cable length [m] | Part No.   |
|---------------------|--------------------|------------------|--------------------|--------------------|--------------|------------------|------------|
| 230 V AC/DC         |                    | 6                | 2+E                |                    | 5.9          | 3                | 1834484212 |
| 230 V AC/DC         |                    | 6                | 2+E                |                    | 5.9          | 5                | 1834484214 |
| 24 V AC/DC          | Z-diode            | 6                | 2+E                | Yellow             | 5.9          | 3                | 1834484204 |
| 24 V AC/DC          | Z-diode            | 6                | 2+E                | Yellow             | 5.9          | 5                | 1834484206 |
| 230 V AC/DC         | Varistor           | 6                | 2+E                | Yellow             | 5.9          | 3                | 1834484208 |
| 230 V AC/DC         | Varistor           | 6                | 2+E                | Yellow             | 5.9          | 5                | 1834484210 |

Dimensions



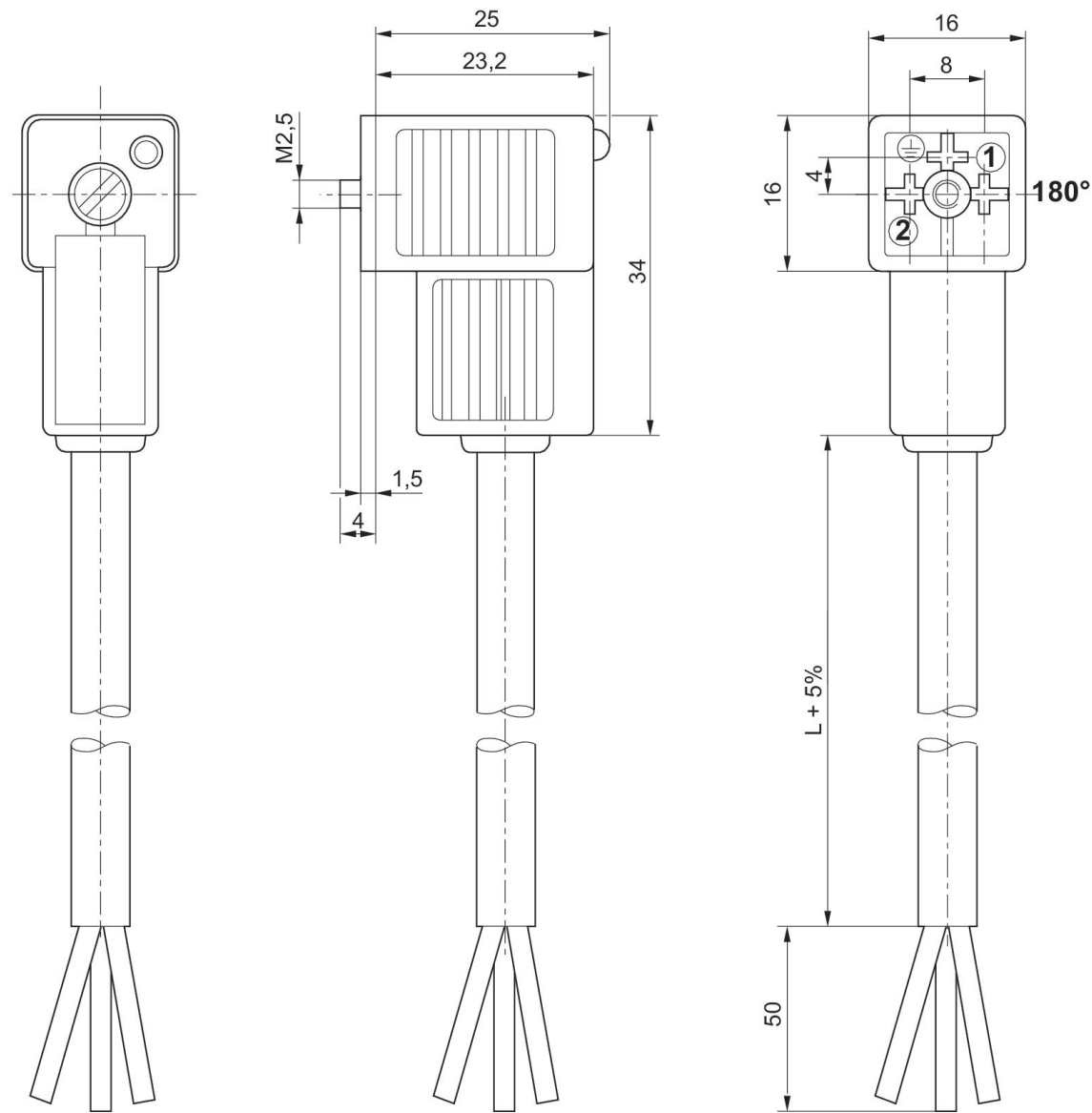
**Valve plug connector, series CON-VP**

form C



| Operational voltage | Protective circuit | Max. current [A] | Contact assignment | LED status display | Cable-Ø [mm] | Cable length [m] | Part No.   |
|---------------------|--------------------|------------------|--------------------|--------------------|--------------|------------------|------------|
| 230 V AC/DC         |                    | 6                | 2+E                |                    | 5.9          | 3                | 1834484213 |
| 230 V AC/DC         |                    | 6                | 2+E                |                    | 5.9          | 5                | 1834484215 |
| 24 V AC/DC          | Z-diode            | 6                | 2+E                | Yellow             | 5.9          | 3                | 1834484205 |
| 24 V AC/DC          | Z-diode            | 6                | 2+E                | Yellow             | 5.9          | 5                | 1834484207 |
| 230 V AC/DC         | Varistor           | 6                | 2+E                | Yellow             | 5.9          | 3                | 1834484209 |
| 230 V AC/DC         | Varistor           | 6                | 2+E                | Yellow             | 5.9          | 5                | 1834484211 |
| 24 V AC/DC          | Z-diode            | 6                | 2+E                | Yellow             | 5.9          | 10               | 1834484236 |

Dimensions



180° female insert

**Valve plug connector, series CON-VP**

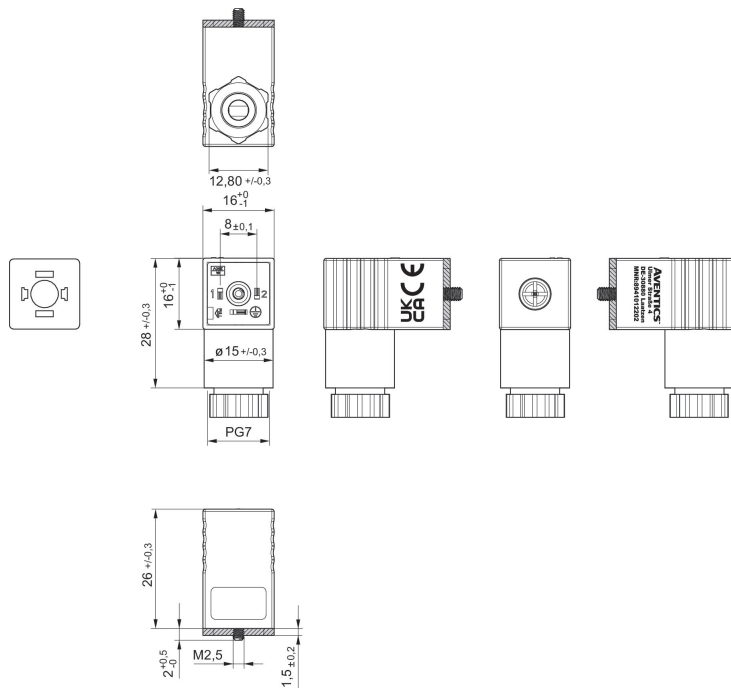
EN 175301-803, form C  
CE declaration of conformity  
UKCA



| Operational voltage | Max. current [A] | Contact assignment | min. suitable cable Ø [mm] | max. suitable cable Ø [mm] | Part No.   |
|---------------------|------------------|--------------------|----------------------------|----------------------------|------------|
| 300 V DC / 250 V AC | 6                | 2+E                | 4                          | 6                          | 8941012202 |

**8941012202**

Dimensions



Flat gasket



**Valve plug connector, series CON-VP**

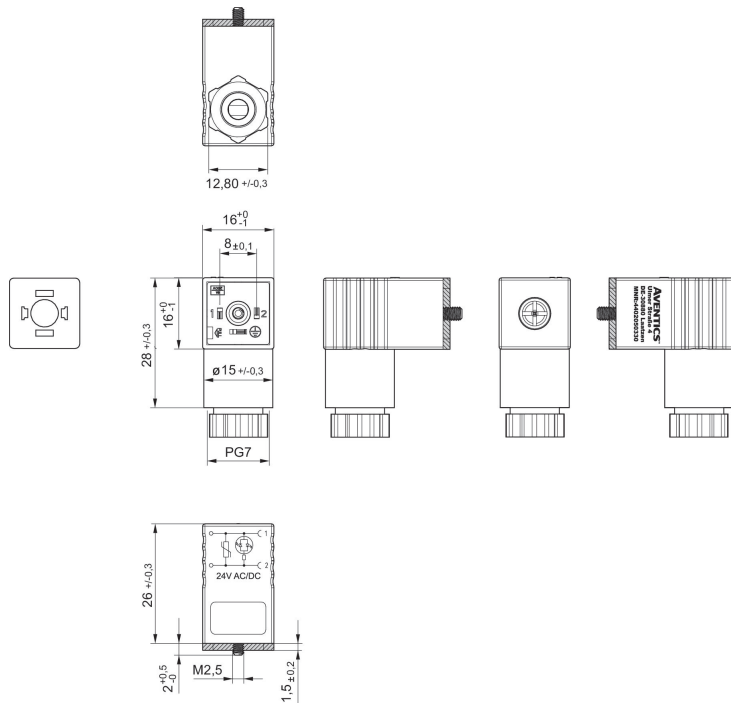
EN 175301-803, form C



| Operational voltage | Protective circuit | Max. current [A] | Contact assignment | LED status display | min. suitable cable Ø [mm] | max. suitable cable Ø [mm] | Part No.   |
|---------------------|--------------------|------------------|--------------------|--------------------|----------------------------|----------------------------|------------|
| 24 V AC/DC          | Varistor           | 1.5              | 2+E                | Green              | 4                          | 6                          | 4402050330 |

**4402050330**

Dimensions



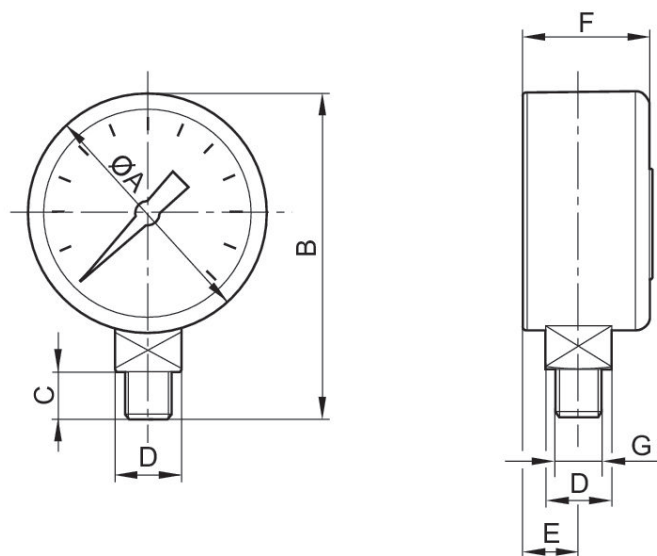
Flat gasket

**Pressure gauge, Series PG1-ROU**

EN 837-1

| Type                        | Nominal diameter [mm] | Port  | Min. main scale display range [bar] | Max. main scale display range [bar] | Min. main scale display range [bar] | Max. main scale display range [bar] | Part No.   |
|-----------------------------|-----------------------|-------|-------------------------------------|-------------------------------------|-------------------------------------|-------------------------------------|------------|
| Bourdon tube pressure gauge | 50                    | R 1/8 | 0                                   | 10                                  | 0                                   | 12                                  | 8901703200 |

Dimensions



Dimensions in mm

| Part No.   | Compressed air connection | Nominal diameter | $\varnothing A$ | B    | C  | D    | F    | E  |
|------------|---------------------------|------------------|-----------------|------|----|------|------|----|
| 8901703200 | R 1/8                     | 50 mm            | 50              | 66.5 | 10 | SW14 | 27,5 | 10 |

**Pressure gauge, Series PG1-SAS**

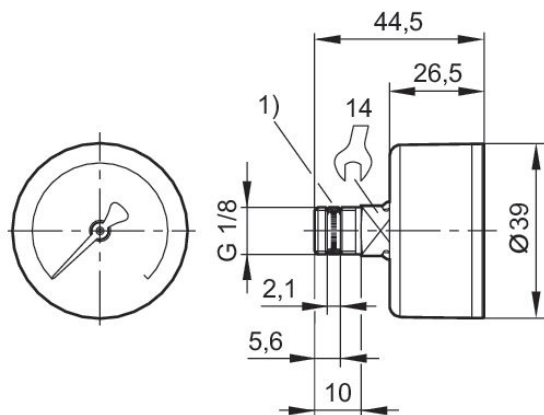
EN 837-1



| Type                        | Nominal diameter [mm] | Port  | Min. main scale display range [bar] | Max. main scale display range [bar] | Min. main scale display range [bar] | Max. main scale display range [bar] | Part No.   |
|-----------------------------|-----------------------|-------|-------------------------------------|-------------------------------------|-------------------------------------|-------------------------------------|------------|
| Bourdon tube pressure gauge | 40                    | G 1/8 | 0                                   | 8                                   | 0                                   | 10                                  | R412003857 |

**R412003857**

Dimensions in mm



1) Gasket thread

# Efficient pneumatic solutions, our program: cylinders and drives, valves and valve systems, air supply management



Visit us: [Emerson.com/Aventics](https://www.emerson.com/aventics)

Your local contact: [Emerson.com/contactus](https://www.emerson.com/contactus)



[Emerson.com](https://www.emerson.com)



[Facebook.com/EmersonAutomationSolutions](https://www.facebook.com/EmersonAutomationSolutions)



[LinkedIn.com/company/Emerson-Automation-Solutions](https://www.linkedin.com/company/Emerson-Automation-Solutions)



[Twitter.com/EMR\\_Automation](https://twitter.com/EMR_Automation)

An example configuration is depicted on the title page. The delivered product may thus vary from that in the illustration. Subject to change. This Document, as well as the data, specifications and other information set forth in it, are the exclusive property of AVENTICS GmbH. It may not be reproduced or given to third parties without its consent. Only use the AVENTICS products shown in industrial applications. Read the product documentation completely and carefully before using the product. Observe the applicable regulations and laws of the respective country. When integrating the product into applications, note the system manufacturer's specifications for safe use of the product. The data specified only serve to describe the product. No statements concerning a certain condition or suitability for a certain application can be derived from our information. The information given does not release the user from the obligation of own judgment and verification. It must be remembered that the products are subject to a natural process of wear and aging.

The Emerson logo is a trademark and service mark of Emerson Electric Co. Brand logotype are registered trademarks of one of the Emerson family of companies. All other marks are the property of their respective owners. © 2019 Emerson Electric Co. All rights reserved.



**CONSIDER IT SOLVED™**