

## Series 581, size 1



**AVENTICS™**

**AVENTICS Series 581 - Size 1  
Standardized valves**

  
**EMERSON™**

**ISO 5599-1, size 1, series 581**

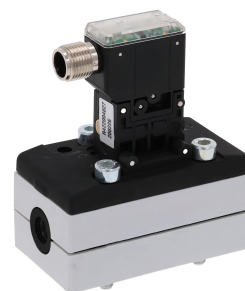
The AVENTICS series 581 complies with the ISO 5599-1 valve standard. Due to the high degree of modularity, the series offers all valve functions, integrated throttle valves, various pilot coils and an extensive range of accessories.

- Valve system complying with standard
- ISO sizes 1 to 4 available
- Robust design
- Easy and flexible custom specific configurations via online configurator



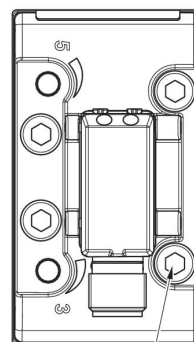
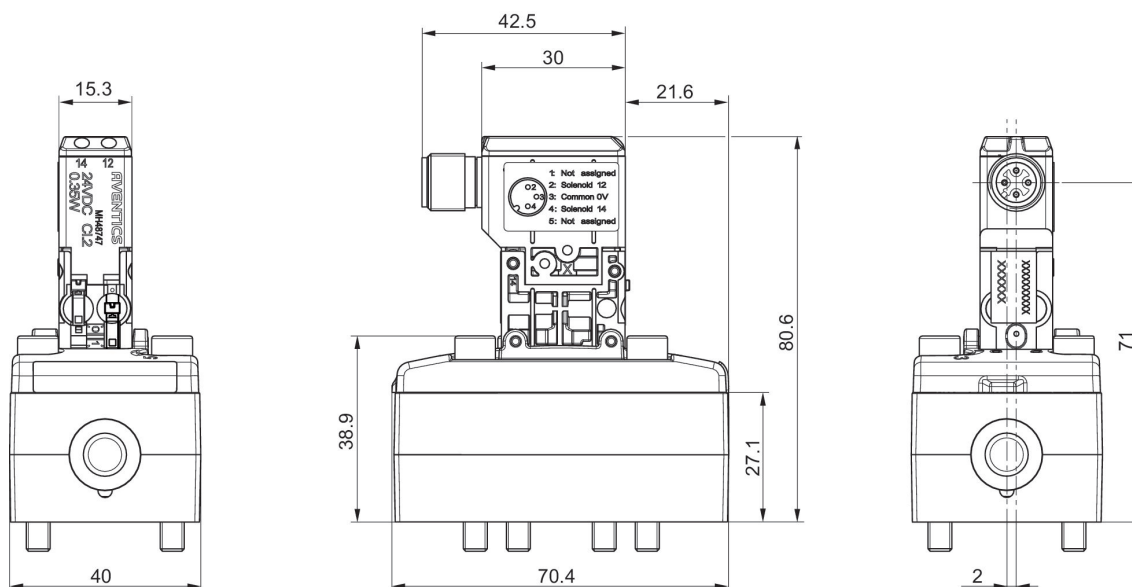
**2x3/2-directional valve, Series 581, size 1**

950 l/min  
ISO 5599-1  
Plug  
M12  
Base plate connection  
Electrically  
4-pin  
Base plate ISO 5599-1  
Base plate ISO 5599-1  
NC/NC



	Min. working pressure [bar]	Max. working pressure [bar]	Operational voltage	Voltage tolerance DC	Power consumption DC [W]	Pilot	Manual override	Part No.
NC/NC	0	8	24 V	-10% / +10%	0.35	External	with detent	5811822720
NC/NC	0	8	24 V	-10% / +10%	0.35	External	without detent	5811822710

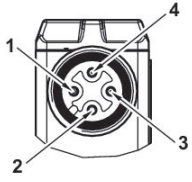
**Dimensions**



Ma: 2.0 ±0.3 Nm (4x)

**5811822720, 5811822710**

Pin assignments



- 1) not assigned
- 2) Coil 12
- 3) 0 V DC
- 4) Coil 14

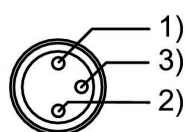
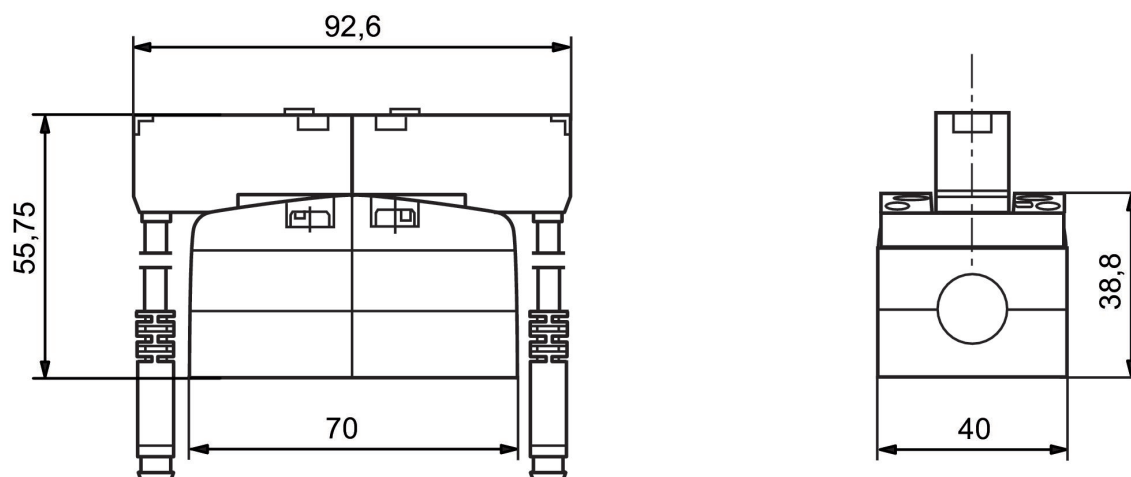
**2x3/2-directional valve, Series 581, size 1**

950 l/min  
ISO 5599-1  
Plug  
Base plate connection  
Electrically  
3-pin  
Base plate ISO 5599-1  
Base plate ISO 5599-1  
NC/NC



	Min. working pressure [bar]	Max. working pressure [bar]	Operational voltage	Voltage tolerance DC	Power consumption DC [W]	Pilot	Manual override	Part No.
NC/NC	0	8	24 V	-10% / +10%	2.2	External	without detent	R402003704

Dimensions



Pin assignment 1) brown (+24 V) 2) green/yellow (ground) 3) blue (0 V)

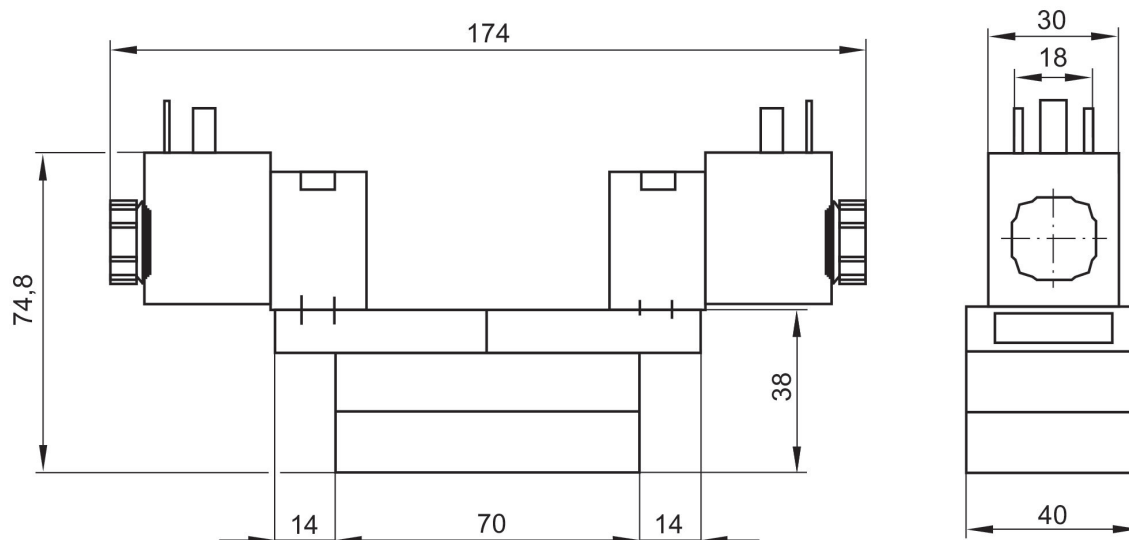
**2x3/2-directional valve, Series 581, size 1**

950 l/min  
ISO 5599-1  
Plug  
EN 175301-803, form A  
Base plate connection  
Internal thread  
Electrically  
Base plate ISO 5599-1  
Base plate ISO 5599-1  
NC/NC



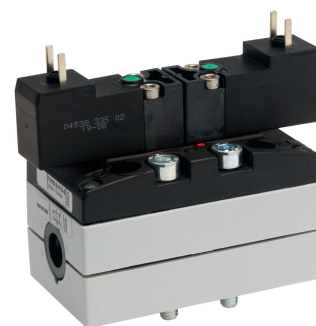
Min. working pressure [bar]	Max. working pressure [bar]	Operational voltage	Operational voltage	Voltage tolerance DC	Power consumption DC [W]	Pilot	Manual override	Part No.
0	8	24 V	42 V	-10% / +10%	6.7	External	without detent	R402003717
0	8		230 V			External	without detent	R402003716

Dimensions



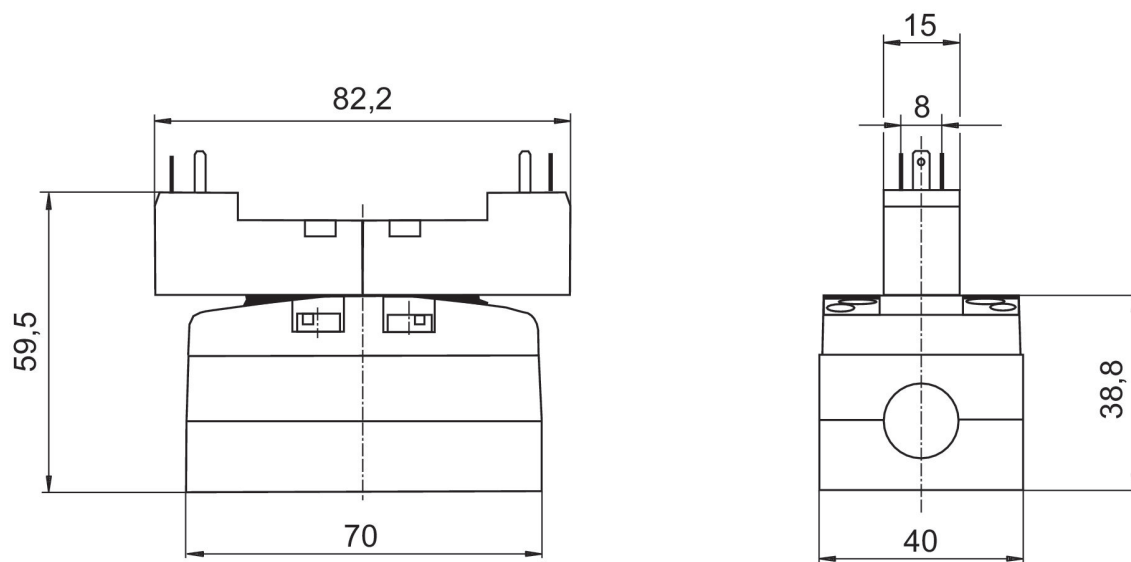
**2x3/2-directional valve, Series 581, size 1**

950 l/min  
ISO 5599-1  
Plug  
ISO 15217, form C  
Base plate connection  
Electrically  
Base plate ISO 5599-1  
Base plate ISO 5599-1  
NC/NC



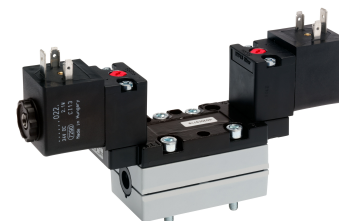
	Min. working pressure [bar]	Max. working pressure [bar]	Operational voltage	Voltage tolerance DC	Power consumption DC [W]	Pilot	Manual override	Part No.
NC/NC	0	8	24 V	-10% / +10%	2	External	without detent	R402003702

Dimensions



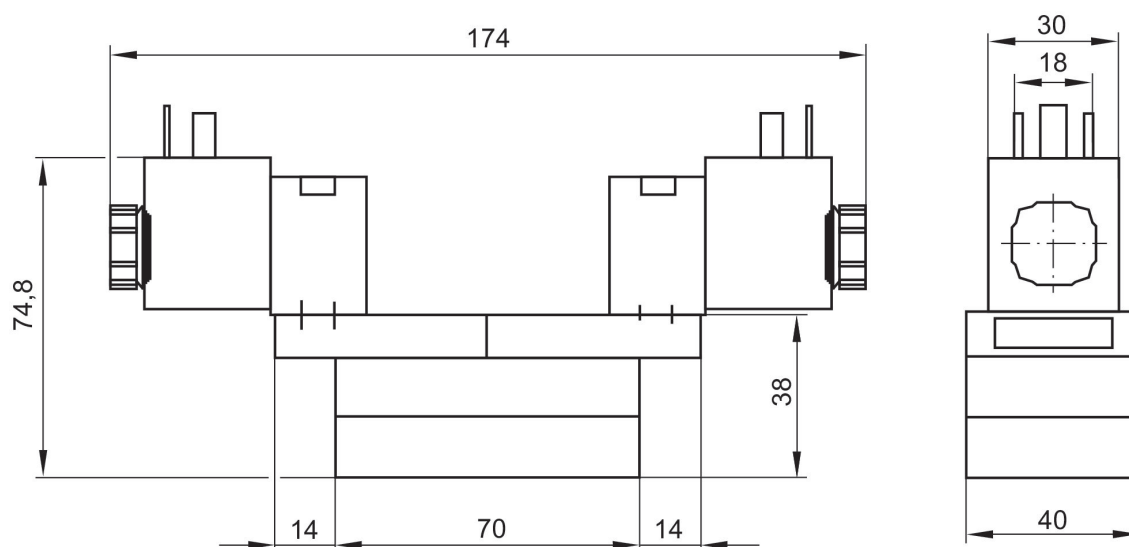
**2x3/2-directional valve, Series 581, size 1**

950 l/min  
ISO 5599-1  
Plug  
EN 175301-803, form A  
Base plate connection  
Internal thread  
Electrically  
Base plate ISO 5599-1  
Base plate ISO 5599-1  
NC/NC



Min. working pressure [bar]	Max. working pressure [bar]	Operational voltage	Operational voltage	Voltage tolerance DC	Power consumption DC [W]	Pilot	Manual override	Compatibility index	Part No.
0	8	24 V		-10% / +10%	2	External	with detent, without detent	14	R402003719
0	8		230 V			External	with detent, without detent	14	R402003718

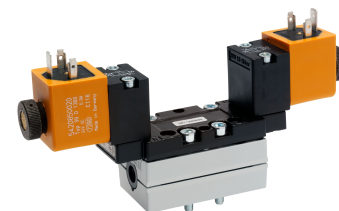
**Dimensions**





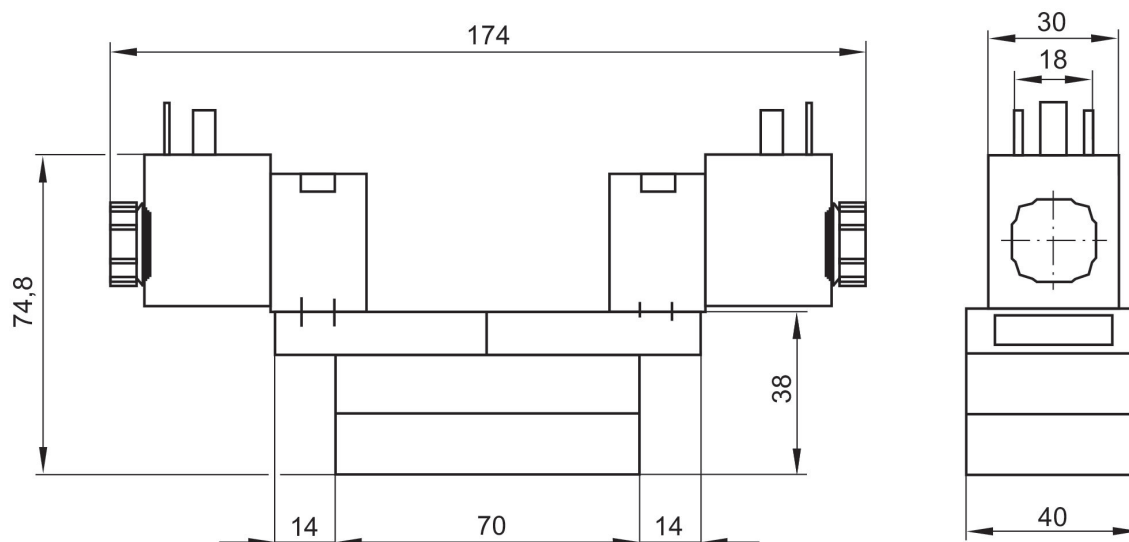
**2x3/2-directional valve, Series 581, size 1**

950 l/min  
ISO 5599-1  
Plug  
EN 175301-803, form A  
Base plate connection  
Internal thread  
Electrically  
Base plate ISO 5599-1  
Base plate ISO 5599-1  
NC/NC



Min. working pressure [bar]	Max. working pressure [bar]	Operational voltage	Operational voltage	Voltage tolerance DC	Power consumption DC [W]	Pilot	Manual override	Part No.
0	8	24 V		-10% / +10%	6.7	External	without	R402003721
0	8		230 V			External	without	R402003720

**Dimensions**



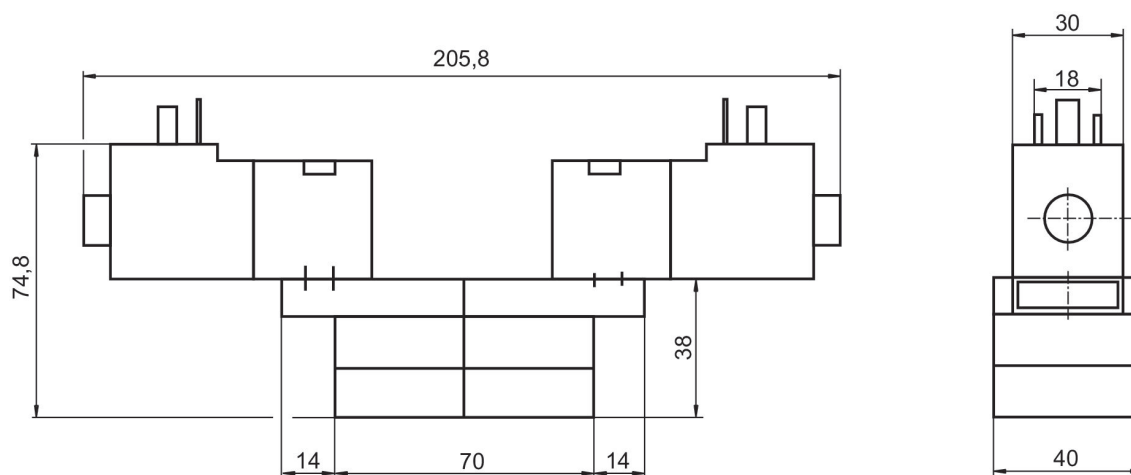
**2x3/2-directional valve, Series 581, size 1**

950 l/min  
ISO 5599-1  
Plug  
EN 175301-803, form A  
Base plate connection  
Internal thread  
Electrically  
Base plate ISO 5599-1  
Base plate ISO 5599-1  
NC/NC



	Min. working pressure [bar]	Max. working pressure [bar]	Operational voltage	Voltage tolerance DC	Power consumption DC [W]	Pilot	Manual override	Part No.
NC/NC	0	8	24 V	-10% / +10%	6	External	without detent	R402003722

**Dimensions**



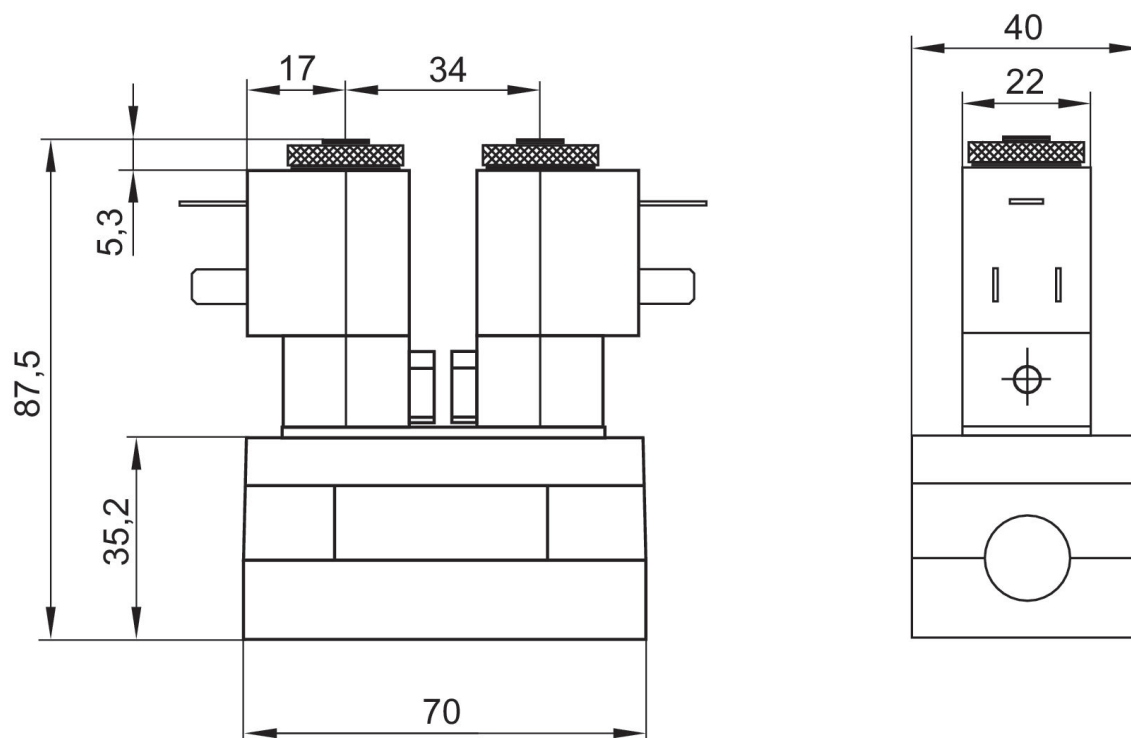
**2x3/2-directional valve, Series 581, size 1**

950 l/min  
ISO 5599-1  
Plug  
Form B, industry  
Base plate connection  
Internal thread  
Electrically  
Base plate ISO 5599-1  
Base plate ISO 5599-1  
NC/NC



	Min. working pressure [bar]	Max. working pressure [bar]	Operational voltage	Operational voltage	Operational voltage	Voltage tolerance DC	Power consumption DC [W]	Pilot	Manual override	Part No.
NC/NC	0	8	12 V			-10% / +10%	5	External	with detent	R402003714
NC/NC	0	8		24 V				External	with detent	R402003711
NC/NC	0	8	24 V			-10% / +10%	5	External	with detent	R402003710
NC/NC	0	8	48 V			-10% / +10%	5	External	with detent	R402003715
NC/NC	0	8			110 V			External	with detent	R402003712
NC/NC	0	8		230 V				External	with detent	R402003713
NC/NC	0	8						External	with detent	R402003709

Dimensions



The pilot valves can be loosened and turned through 180°.

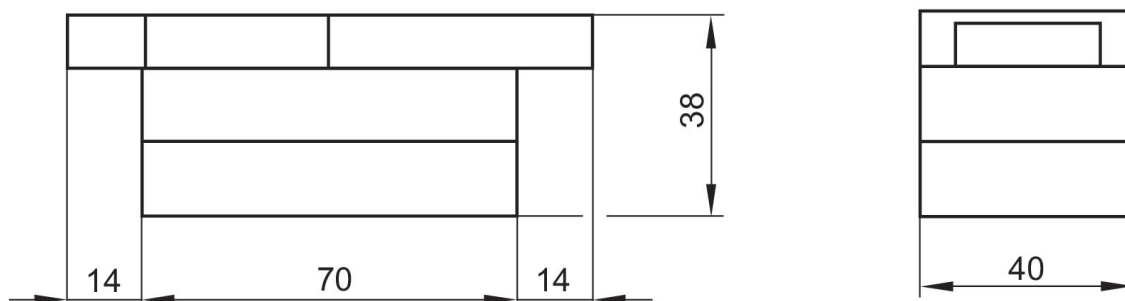
**5/2-directional valve, Series 581, size 1**

1400 l/min  
 Double Solenoid  
 ISO 5599-1  
 Base plate connection  
 Electrically  
 Basic valve without pilot valve  
 Base plate ISO 5599-1  
 Base plate ISO 5599-1



Min. working pressure [bar]	Max. working pressure [bar]	Pilot	Part No.
-0.95	10	External, Internal	5811280080

Dimensions



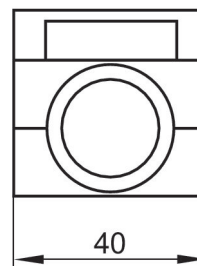
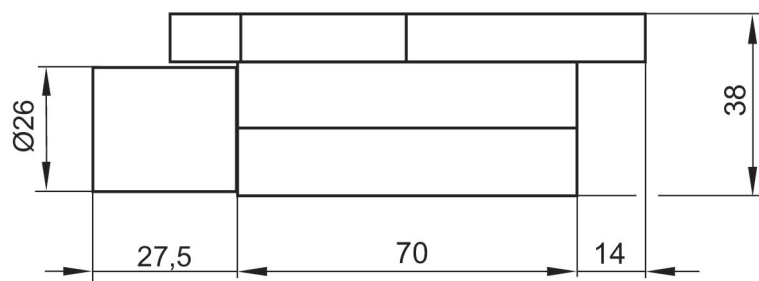
**5/2-directional valve, Series 581, size 1**

ISO 5599-1  
Base plate connection  
Electrically  
Basic valve without pilot valve  
Base plate ISO 5599-1  
Base plate ISO 5599-1



Min. working pressure [bar]	Max. working pressure [bar]	Pilot	Part No.
-0.95	10	External, Internal	5811680080

Dimensions



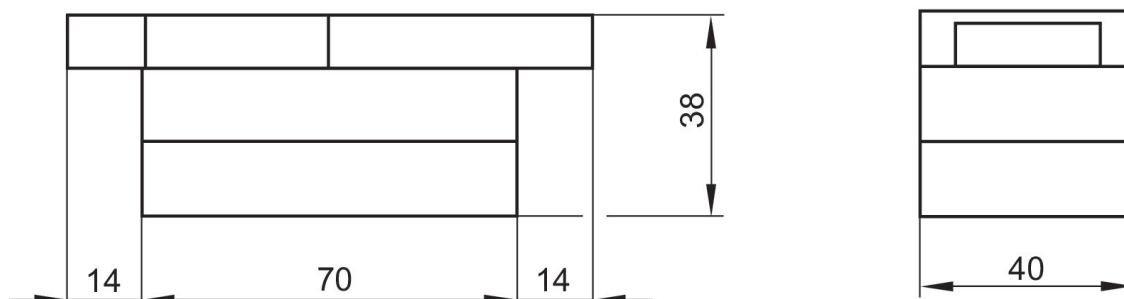
**5/2-directional valve, Series 581, size 1**

1400 l/min  
Single Solenoid  
ISO 5599-1  
Base plate connection  
Electrically  
Basic valve without pilot valve  
Base plate ISO 5599-1  
Base plate ISO 5599-1



Min. working pressure [bar]	Max. working pressure [bar]	Pilot	Part No.
-0.95	10	External, Internal	5811180080

Dimensions



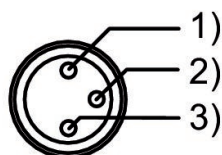
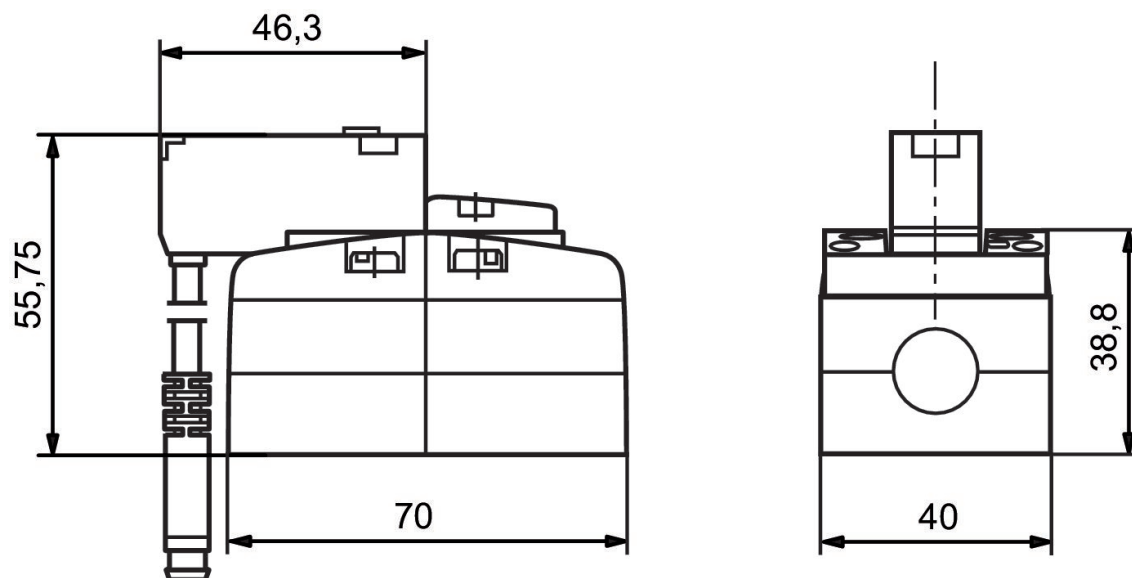
**5/2-directional valve, Series 581, size 1**

1400 l/min  
Single Solenoid  
ISO 5599-1  
Plug  
Base plate connection  
Electrically  
3-pin  
Base plate ISO 5599-1  
Base plate ISO 5599-1



Min. working pressure [bar]	Max. working pressure [bar]	Operational voltage	Voltage tolerance DC	Power consumption DC [W]	Pilot	Throttle	Manual override	Part No.
3	10	24 V	-10% / +10%	2.2	Internal		without detent	5811150160
3	10	24 V	-10% / +10%	2.2	Internal	with throttle	without detent	5811151160
-0.95	10	24 V	-10% / +10%	2.2	External		without detent	5811152160
-0.95	10	24 V	-10% / +10%	2.2	External	with throttle	without detent	5811153160

Dimensions



Pin assignment 1) brown (+24 V) 2) green/yellow (ground) 3) blue (0 V)

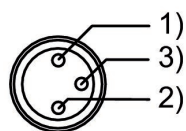
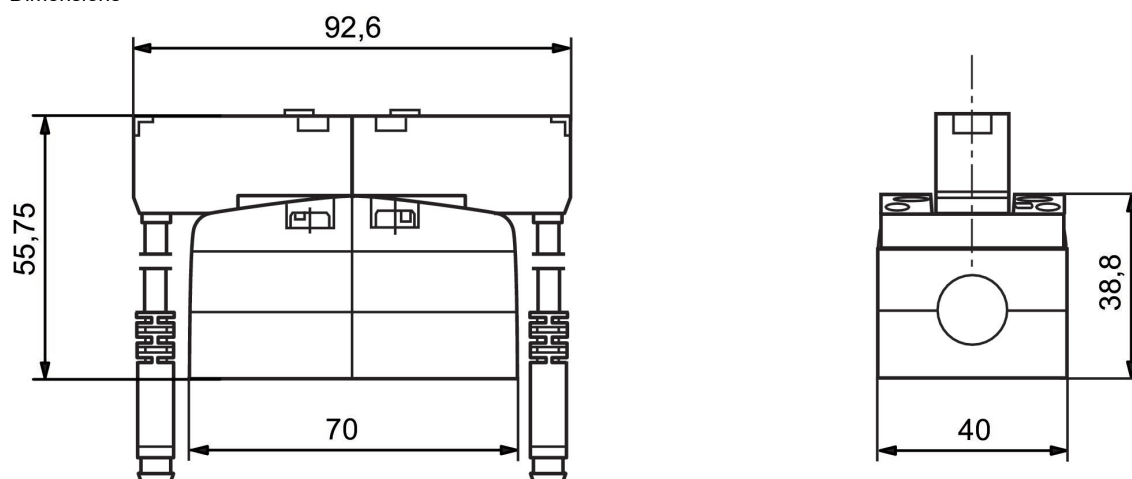
**5/2-directional valve, Series 581, size 1**

1400 l/min  
Double Solenoid  
ISO 5599-1  
Plug  
Base plate connection  
Electrically  
3-pin  
Base plate ISO 5599-1  
Base plate ISO 5599-1



Min. working pressure [bar]	Max. working pressure [bar]	Operational voltage	Voltage tolerance DC	Power consumption DC [W]	Pilot	Throttle	Manual override	Part No.
1.5	10	24 V	-10% / +10%	2.2	Internal		without detent	5811260160
1.5	10	24 V	-10% / +10%	2.2	Internal	with throttle	without detent	5811261160
-0.95	10	24 V	-10% / +10%	2.2	External		without detent	5811262160
-0.95	10	24 V	-10% / +10%	2.2	External	with throttle	without detent	5811263160

Dimensions



Pin assignment 1) brown (+24 V) 2) green/yellow (ground) 3) blue (0 V)



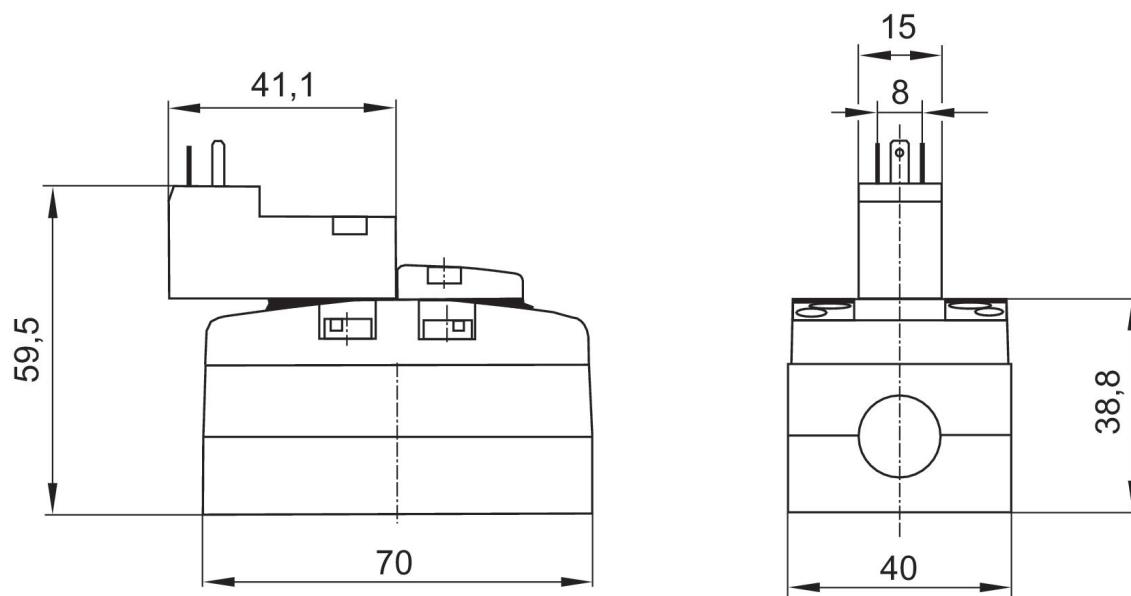
**5/2-directional valve, Series 581, size 1**

1400 l/min  
Single Solenoid  
ISO 5599-1  
Plug  
ISO 15217, form C  
Base plate connection  
Electrically  
Base plate ISO 5599-1  
Base plate ISO 5599-1



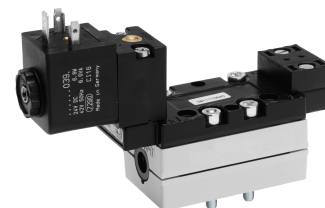
Min. working pressure [bar]	Max. working pressure [bar]	Operational voltage	Voltage tolerance DC	Power consumption DC [W]	Pilot	Throttle	Manual override	Part No.
3	10	24 V	-10% / +10%	2	Internal		without detent	5811150130
3	10	24 V	-10% / +10%	2	Internal	with throttle	without detent	5811151130
-0.95	10	24 V	-10% / +10%	2	External		without detent	5811152130
-0.95	10	24 V	-10% / +10%	2	External	with throttle	without detent	5811153130

Dimensions



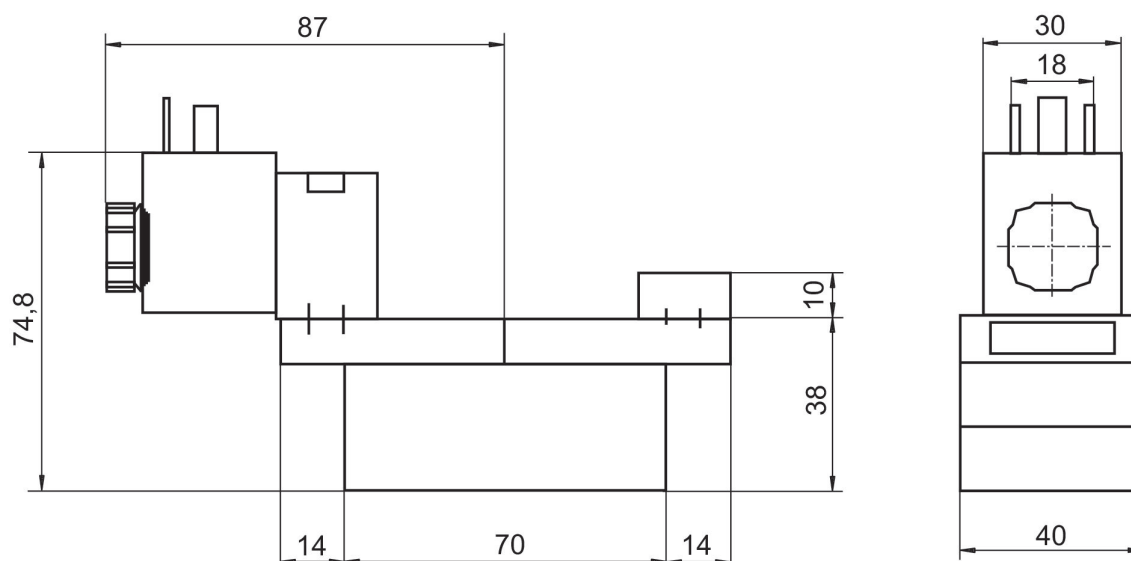
**5/2-directional valve, Series 581, size 1**

1400 l/min  
Single Solenoid  
ISO 5599-1  
Plug  
EN 175301-803, form A  
Base plate connection  
Internal thread  
Electrically  
Base plate ISO 5599-1  
Base plate ISO 5599-1



Min. working pressure [bar]	Max. working pressure [bar]	Operational voltage	Operational voltage	Voltage tolerance DC	Power consumption DC [W]	Pilot	Throttle	Manual override	Part No.
3	16	24 V	42 V	-10% / +10%	6.7	Internal		without detent	5811170540
3	16		230 V			Internal		without detent	5811170440
3	16	24 V	42 V	-10% / +10%	6.7	Internal	with throttle	without detent	5811171540
3	16		230 V			Internal	with throttle	without detent	5811171440
-0.95	16	24 V	42 V	-10% / +10%	6.7	External		without detent	5811172540
-0.95	16		230 V			External		without detent	5811172440
-0.95	16	24 V	42 V	-10% / +10%	6.7	External	with throttle	without detent	5811173540
-0.95	16		230 V			External	with throttle	without detent	5811173440

Dimensions



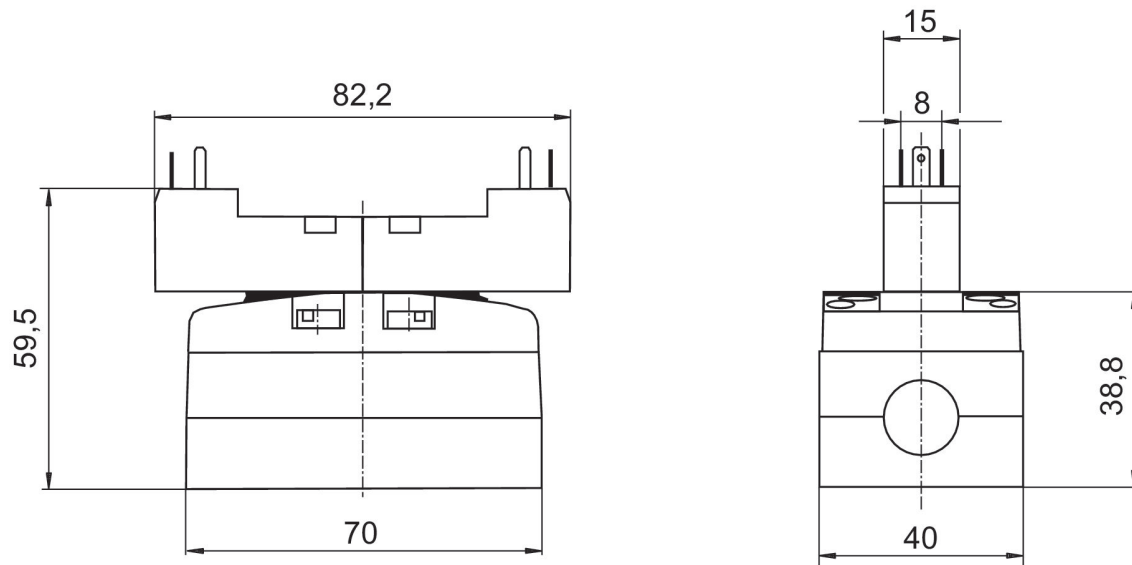
**5/2-directional valve, Series 581, size 1**

1400 l/min  
Double Solenoid  
ISO 5599-1  
Plug  
ISO 15217, form C  
Base plate connection  
Electrically  
Base plate ISO 5599-1  
Base plate ISO 5599-1



Min. working pressure [bar]	Max. working pressure [bar]	Operational voltage	Voltage tolerance DC	Power consumption DC [W]	Pilot	Throttle	Manual override	Part No.
1.5	10	24 V	-10% / +10%	2	Internal		without detent	5811260130
1.5	10	24 V	-10% / +10%	2	Internal	with throttle	without detent	5811261130
-0.95	10	24 V	-10% / +10%	2	External		without detent	5811262130
-0.95	10	24 V	-10% / +10%	2	External	with throttle	without detent	5811263130

Dimensions



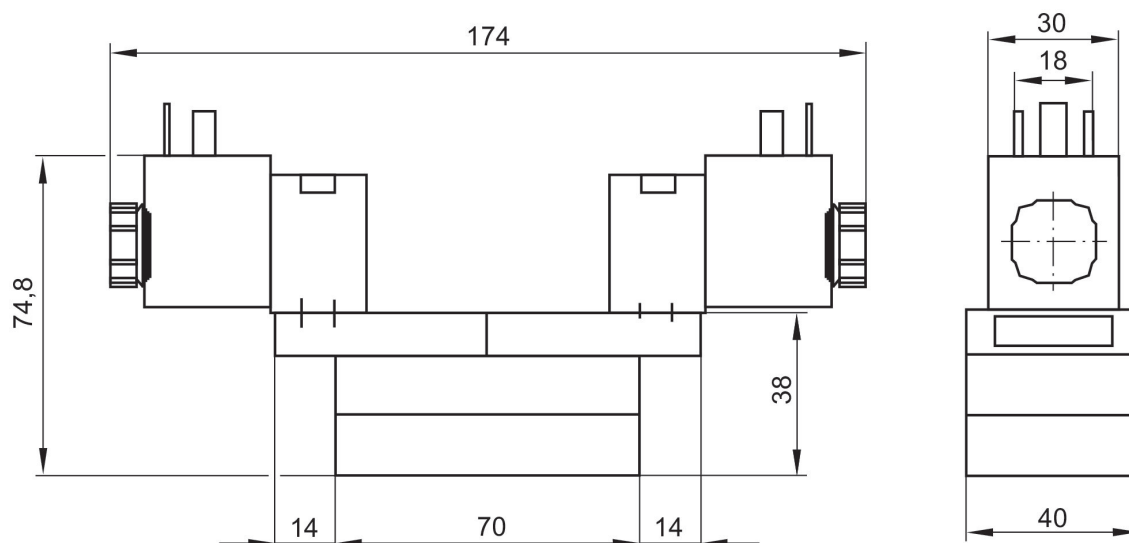
**5/2-directional valve, Series 581, size 1**

1400 l/min  
Double Solenoid  
ISO 5599-1  
Plug  
EN 175301-803, form A  
Base plate connection  
Internal thread  
Electrically  
Base plate ISO 5599-1  
Base plate ISO 5599-1



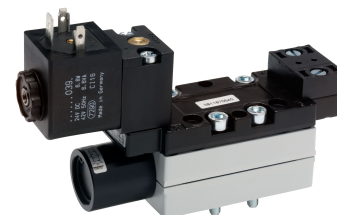
Min. working pressure [bar]	Max. working pressure [bar]	Operational voltage	Operational voltage	Voltage tolerance DC	Power consumption DC [W]	Pilot	Throttle	Manual override	Part No.
1.5	16	24 V	42 V	-10% / +10%	6.7	Internal		without detent	5811290540
1.5	16		230 V			Internal		without detent	5811290440
1.5	16	24 V	42 V	-10% / +10%	6.7	Internal	with throttle	without detent	5811291540
1.5	16		230 V			Internal	with throttle	without detent	5811291440
-0.95	16	24 V	42 V	-10% / +10%	6.7	External		without detent	5811292540
-0.95	16		230 V			External		without detent	5811292440
-0.95	16	24 V	42 V	-10% / +10%	6.7	External	with throttle	without detent	5811293540
-0.95	16		230 V			External	with throttle	without detent	5811293440

Dimensions



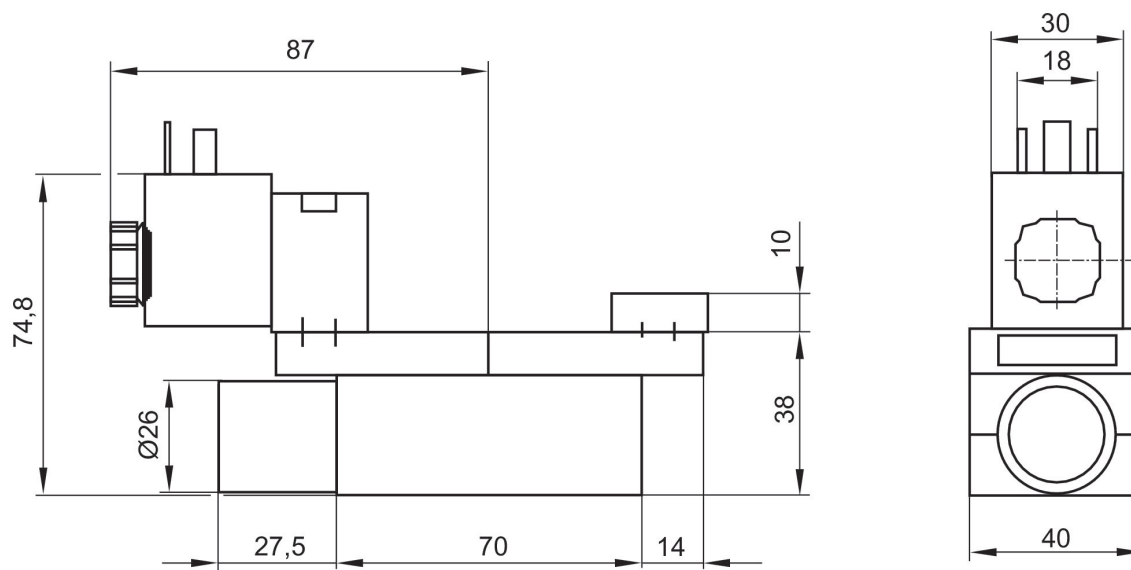
**5/2-directional valve, Series 581, size 1**

1400 l/min  
ISO 5599-1  
Plug  
EN 175301-803, form A  
Base plate connection  
Internal thread  
Electrically  
Base plate ISO 5599-1  
Base plate ISO 5599-1



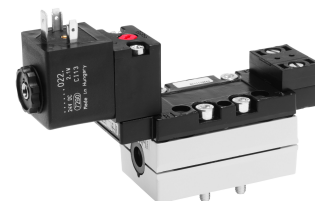
Min. working pressure [bar]	Max. working pressure [bar]	Operational voltage	Operational voltage	Voltage tolerance DC	Power consumption DC [W]	Pilot	Throttle	Manual override	Part No.
1.3	16	24 V	42 V	-10% / +10%	6.7	Internal		without detent	5811670540
1.3	16		230 V			Internal		without detent	5811670440
1.3	16	24 V	42 V	-10% / +10%	6.7	Internal	with throttle	without detent	5811671540
1.3	16		230 V			Internal	with throttle	without detent	5811671440
-0.95	16	24 V	42 V	-10% / +10%	6.7	External		without detent	5811672540
-0.95	16		230 V			External		without detent	5811672440
-0.95	16	24 V	42 V	-10% / +10%	6.7	External	with throttle	without detent	5811673540
-0.95	16		230 V			External	with throttle	without detent	5811673440

Dimensions



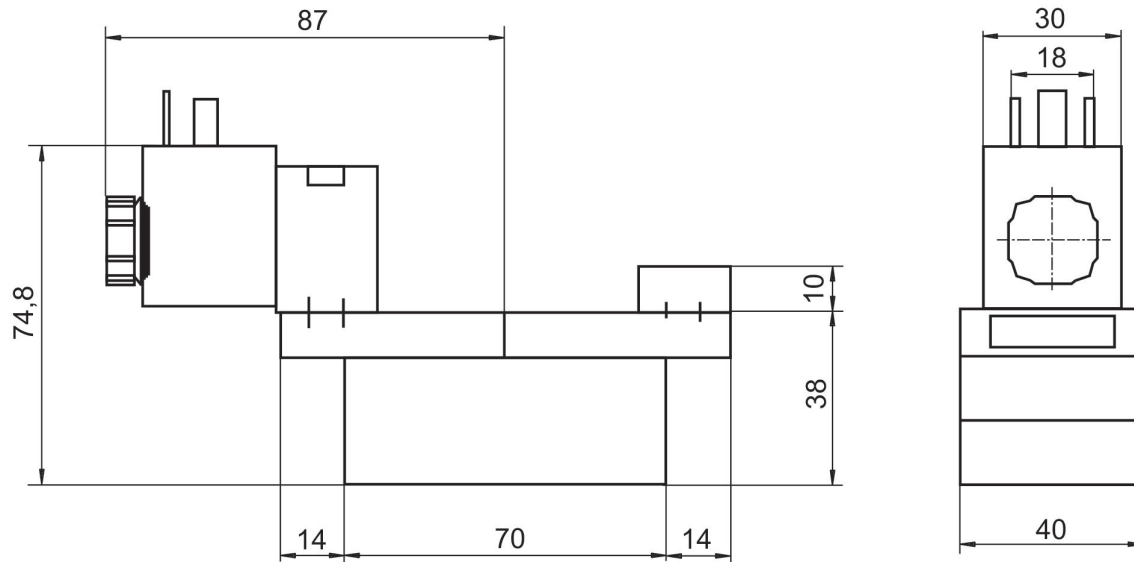
**5/2-directional valve, Series 581, size 1**

1400 l/min  
Single Solenoid  
ISO 5599-1  
Plug  
EN 175301-803, form A  
Base plate connection  
Internal thread  
Electrically  
Base plate ISO 5599-1  
Base plate ISO 5599-1



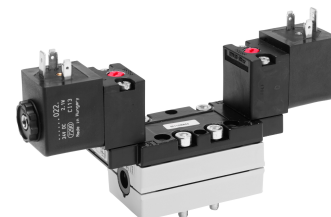
Min. working pressure [bar]	Max. working pressure [bar]	Operational voltage	Operational voltage	Voltage tolerance DC	Power consumption DC [W]	Pilot	Throttle	Manual override	Compatibility index	Part No.
3	10	24 V		-10% / +10%	2	Internal		with detent, without detent	14	5811170650
3	10		230 V			Internal		with detent, without detent	14	5811170450
3	10	24 V		-10% / +10%	2	Internal	with throttle	with detent, without detent	14	5811171650
3	10		230 V			Internal	with throttle	with detent, without detent	14	5811171450
-0.95	10	24 V		-10% / +10%	2	External		with detent, without detent	14	5811172650
-0.95	10		230 V			External		with detent, without detent	14	5811172450
-0.95	10	24 V		-10% / +10%	2	External	with throttle	with detent, without detent	14	5811173650
-0.95	10		230 V			External	with throttle	with detent, without detent	14	5811173450

Dimensions



**5/2-directional valve, Series 581, size 1**

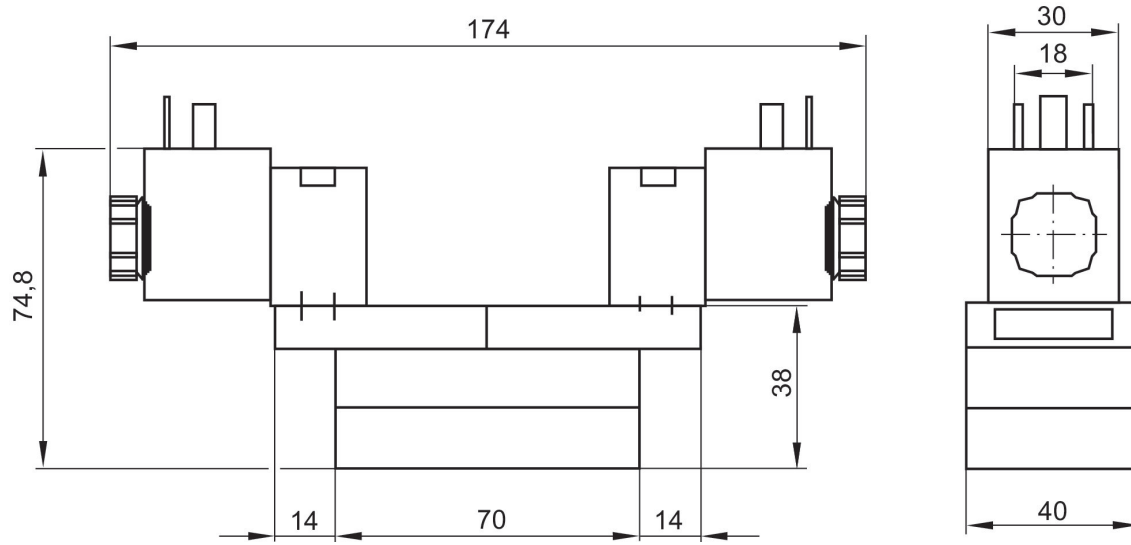
1400 l/min  
Double Solenoid  
ISO 5599-1  
Plug  
EN 175301-803, form A  
Base plate connection  
Internal thread  
Electrically  
Base plate ISO 5599-1  
Base plate ISO 5599-1



Min. working pressure [bar]	Max. working pressure [bar]	Operational voltage	Operational voltage	Voltage tolerance DC	Power consumption DC [W]	Pilot	Throttle	Manual override	Compatibility index	Part No.
1.5	10	24 V		-10% / +10%	2	Internal		with detent, without detent	14	5811290650
1.5	10		230 V			Internal		with detent, without detent	14	5811290450
1.5	10	24 V		-10% / +10%	2	Internal	with throttle	with detent, without detent	14	5811291650
1.5	10		230 V			Internal	with throttle	with detent, without detent	14	5811291450
-0.95	10	24 V		-10% / +10%	2	External		with detent, without detent	14	5811292650
-0.95	10		230 V			External		with detent, without detent	14	5811292450
-0.95	10	24 V		-10% / +10%	2	External	with throttle	with detent, without detent	14	5811293650
-0.95	10		230 V			External	with throttle	with detent, without detent	14	5811293450



Dimensions



**5/2-directional valve, Series 581, size 1**

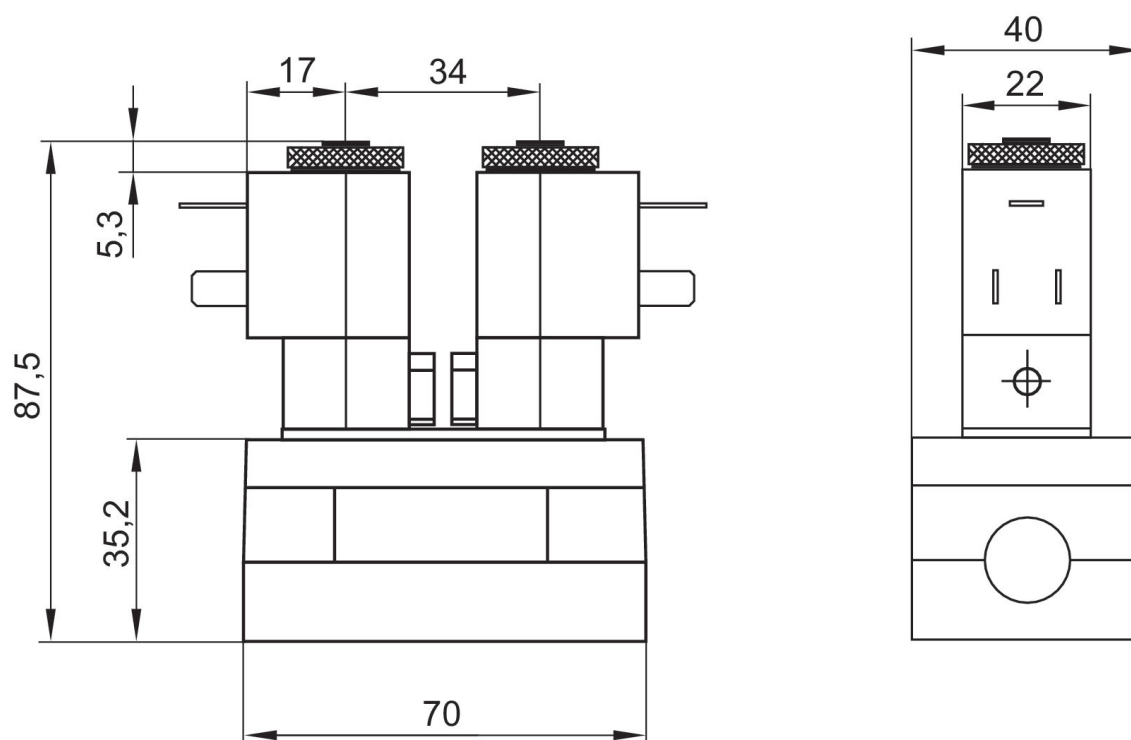
1400 l/min  
Double Solenoid  
ISO 5599-1  
Plug  
Form B, industry  
Base plate connection  
Internal thread  
Electrically  
Base plate ISO 5599-1  
Base plate ISO 5599-1



Min. working pressure [bar]	Max. working pressure [bar]	Operational voltage	Operational voltage	Operational voltage	Voltage tolerance DC	Power consumption DC [W]	Pilot	Throttle	Manual override	Part No.
1.5	10	12 V			-10% / +10%	5	Internal		with detent	5811220500
1.5	10		24 V				Internal		with detent	5811220200
1.5	10	24 V			-10% / +10%	5	Internal		with detent	5811220100
1.5	10	48 V			-10% / +10%	5	Internal		with detent	5811220600
1.5	10			110 V			Internal		with detent	5811220300
1.5	10		230 V				Internal		with detent	5811220400
1.5	10						Internal		with detent	5811220000
1.5	10	12 V			-10% / +10%	5	Internal	with throttle	with detent	5811221500
1.5	10		24 V				Internal	with throttle	with detent	5811221200
1.5	10	24 V			-10% / +10%	5	Internal	with throttle	with detent	5811221100
1.5	10	48 V			-10% / +10%	5	Internal	with throttle	with detent	5811221600
1.5	10			110 V			Internal	with throttle	with detent	5811221300
1.5	10		230 V				Internal	with throttle	with detent	5811221400
1.5	10						Internal	with throttle	with detent	5811221000
-0.95	10	12 V			-10% / +10%	5	External		with detent	5811222500
-0.95	10		24 V				External		with detent	5811222200
-0.95	10	24 V			-10% / +10%	5	External		with detent	5811222100
-0.95	10	48 V			-10% / +10%	5	External		with detent	5811222600
-0.95	10			110 V			External		with detent	5811222300
-0.95	10		230 V				External		with detent	5811222400
-0.95	10						External		with detent	5811222000

Min. working pressure [bar]	Max. working pressure [bar]	Operational voltage	Operational voltage	Operational voltage	Voltage tolerance DC	Power consumption DC [W]	Pilot	Throttle	Manual override	Part No.
-0.95	10	12 V			-10% / +10%	5	External	with throttle	with detent	5811223500
-0.95	10		24 V				External	with throttle	with detent	5811223200
-0.95	10	24 V			-10% / +10%	5	External	with throttle	with detent	5811223100
-0.95	10	48 V			-10% / +10%	5	External	with throttle	with detent	5811223600
-0.95	10			110 V			External	with throttle	with detent	5811223300
-0.95	10		230 V				External	with throttle	with detent	5811223400
-0.95	10						External	with throttle	with detent	5811223000

Dimensions



The pilot valves can be loosened and turned through 180°.

**5/2-directional valve, Series 581, size 1**

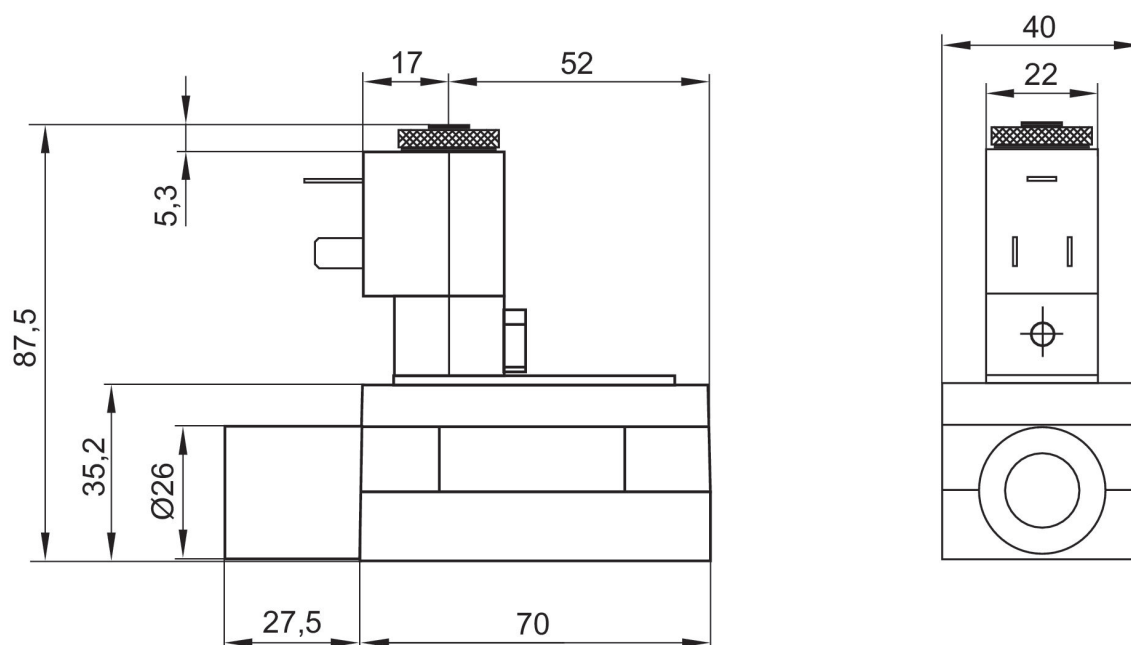
1400 l/min  
ISO 5599-1  
Plug  
Form B, industry  
Base plate connection  
Internal thread  
Electrically  
Base plate ISO 5599-1  
Base plate ISO 5599-1



Min. working pressure [bar]	Max. working pressure [bar]	Operational voltage	Operational voltage	Operational voltage	Voltage tolerance DC	Power consumption DC [W]	Pilot	Throttle	Manual override	Part No.
1.3	10	12 V			-10% / +10%	5	Internal		with detent	5811610500
1.3	10		24 V				Internal		with detent	5811610200
1.3	10	24 V			-10% / +10%	5	Internal		with detent	5811610100
1.3	10	48 V			-10% / +10%	5	Internal		with detent	5811610600
1.3	10			110 V			Internal		with detent	5811610300
1.3	10		230 V				Internal		with detent	5811610400
1.3	10						Internal		with detent	5811610000
1.3	10	12 V			-10% / +10%	5	Internal	with throttle	with detent	5811611500
1.3	10		24 V				Internal	with throttle	with detent	5811611200
1.3	10	24 V			-10% / +10%	5	Internal	with throttle	with detent	5811611100
1.3	10	48 V			-10% / +10%	5	Internal	with throttle	with detent	5811611600
1.3	10			110 V			Internal	with throttle	with detent	5811611300
1.3	10		230 V				Internal	with throttle	with detent	5811611400
1.3	10						Internal	with throttle	with detent	5811611000
-0.95	10	12 V			-10% / +10%	5	External		with detent	5811612500
-0.95	10		24 V				External		with detent	5811612200
-0.95	10	24 V			-10% / +10%	5	External		with detent	5811612100
-0.95	10	48 V			-10% / +10%	5	External		with detent	5811612600
-0.95	10			110 V			External		with detent	5811612300
-0.95	10		230 V				External		with detent	5811612400
-0.95	10						External		with detent	5811612000

Min. working pressure [bar]	Max. working pressure [bar]	Operational voltage	Operational voltage	Operational voltage	Voltage tolerance DC	Power consumption DC [W]	Pilot	Throttle	Manual override	Part No.
-0.95	10	12 V			-10% / +10%	5	External	with throttle	with detent	5811613500
-0.95	10		24 V				External	with throttle	with detent	5811613200
-0.95	10	24 V			-10% / +10%	5	External	with throttle	with detent	5811613100
-0.95	10	48 V			-10% / +10%	5	External	with throttle	with detent	5811613600
-0.95	10			110 V			External	with throttle	with detent	5811613300
-0.95	10		230 V				External	with throttle	with detent	5811613400
-0.95	10						External	with throttle	with detent	5811613000

Dimensions



The pilot valves can be loosened and turned through 180°.

**5/2-directional valve, Series 581, size 1**

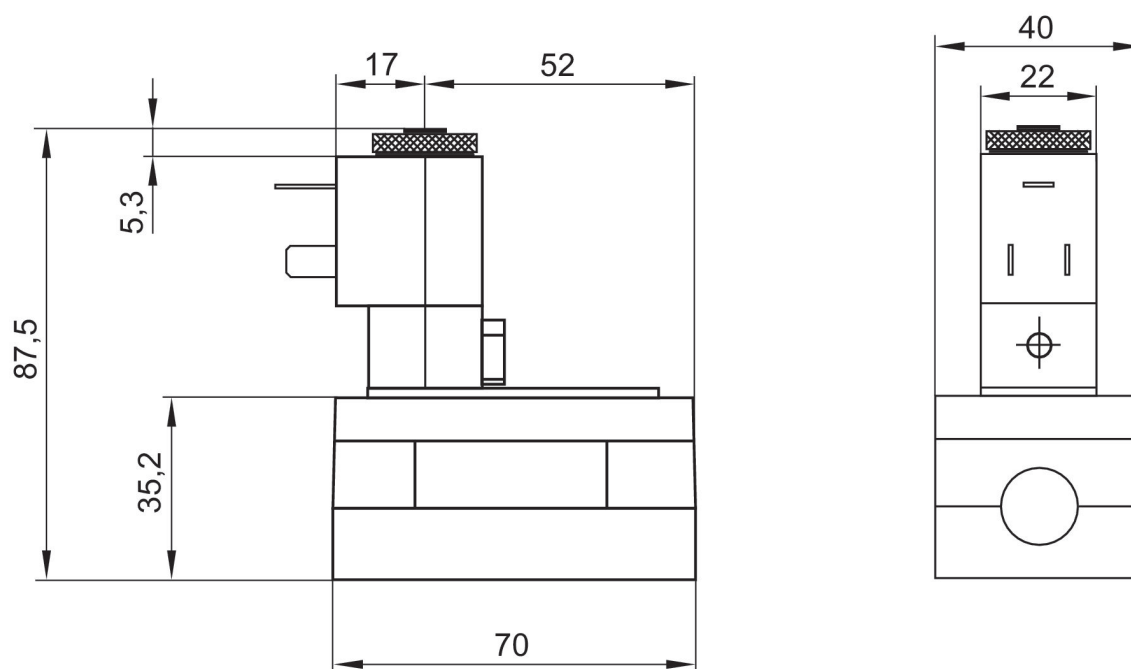
1400 l/min  
Single Solenoid  
ISO 5599-1  
Plug  
Form B, industry  
Base plate connection  
Internal thread  
Electrically  
Base plate ISO 5599-1  
Base plate ISO 5599-1



Min. working pressure [bar]	Max. working pressure [bar]	Operational voltage	Operational voltage	Operational voltage	Voltage tolerance DC	Power consumption DC [W]	Pilot	Throttle	Manual override	Part No.
3	10	12 V			-10% / +10%	5	Internal		with detent	5811110500
3	10		24 V				Internal		with detent	5811110200
3	10	24 V			-10% / +10%	5	Internal		with detent	5811110100
3	10	48 V			-10% / +10%	5	Internal		with detent	5811110600
3	10			110 V			Internal		with detent	5811110300
3	10		230 V				Internal		with detent	5811110400
3	10						Internal		with detent	5811110000
3	10	12 V			-10% / +10%	5	Internal	with throttle	with detent	5811111500
3	10		24 V				Internal	with throttle	with detent	5811111200
3	10	24 V			-10% / +10%	5	Internal	with throttle	with detent	5811111100
3	10	48 V			-10% / +10%	5	Internal	with throttle	with detent	5811111600
3	10			110 V			Internal	with throttle	with detent	5811111300
3	10		230 V				Internal	with throttle	with detent	5811111400
3	10						Internal	with throttle	with detent	5811111000
-0.95	10	12 V			-10% / +10%	5	External		with detent	5811112500
-0.95	10		24 V				External		with detent	5811112200
-0.95	10	24 V			-10% / +10%	5	External		with detent	5811112100
-0.95	10	48 V			-10% / +10%	5	External		with detent	5811112600
-0.95	10			110 V			External		with detent	5811112300
-0.95	10		230 V				External		with detent	5811112400
-0.95	10						External		with detent	5811112000

Min. working pressure [bar]	Max. working pressure [bar]	Operational voltage	Operational voltage	Operational voltage	Voltage tolerance DC	Power consumption DC [W]	Pilot	Throttle	Manual override	Part No.
-0.95	10	12 V			-10% / +10%	5	External	with throttle	with detent	5811113500
-0.95	10		24 V				External	with throttle	with detent	5811113200
-0.95	10	48 V			-10% / +10%	5	External	with throttle	with detent	5811113600
-0.95	10	24 V			-10% / +10%	5	External	with throttle	with detent	5811113100
-0.95	10			110 V			External	with throttle	with detent	5811113300
-0.95	10		230 V				External	with throttle	with detent	5811113400
-0.95	10						External	with throttle	with detent	5811113000

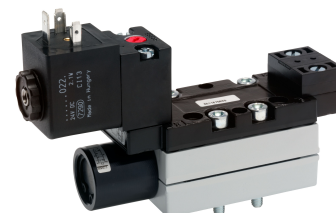
Dimensions



The pilot valves can be loosened and turned through 180°.

**5/2-directional valve, Series 581, size 1**

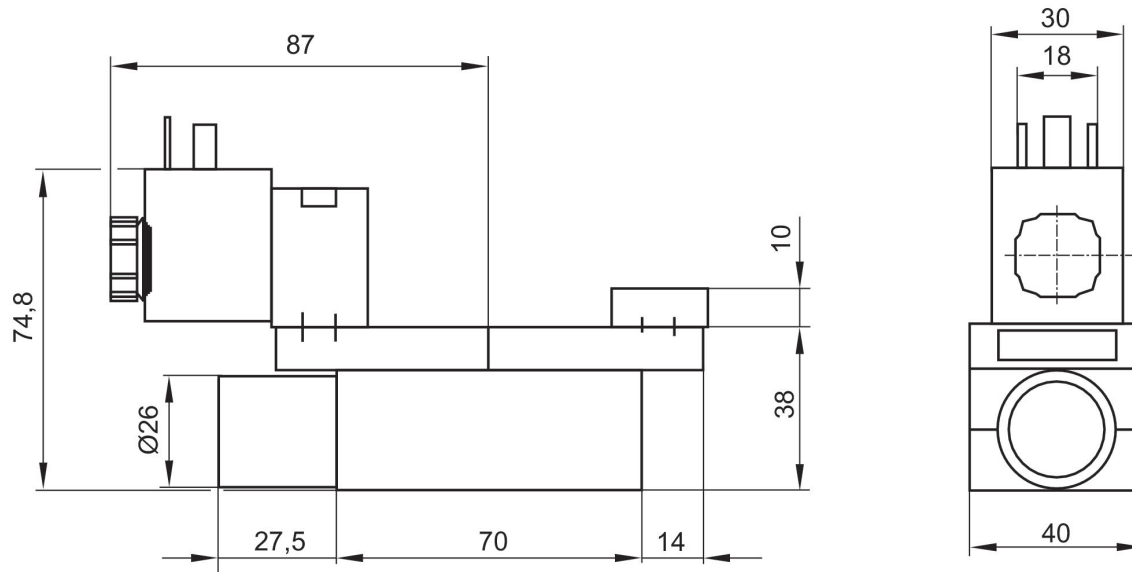
1400 l/min  
ISO 5599-1  
Plug  
EN 175301-803, form A  
Base plate connection  
Internal thread  
Electrically  
Base plate ISO 5599-1  
Base plate ISO 5599-1



Min. working pressure [bar]	Max. working pressure [bar]	Operational voltage	Operational voltage	Voltage tolerance DC	Power consumption DC [W]	Pilot	Throttle	Manual override	Compatibility index	Part No.
1.3	10	24 V		-10% / +10%	2	Internal		with detent, without detent	14	5811670650
1.3	10		230 V			Internal		with detent, without detent	14	5811670450
1.3	10	24 V		-10% / +10%	2	Internal	with throttle	with detent, without detent	14	5811671650
1.3	10		230 V			Internal	with throttle	with detent, without detent	14	5811671450
-0.95	10	24 V		-10% / +10%	2	External		with detent, without detent	14	5811672650
-0.95	10		230 V			External		with detent, without detent	14	5811672450
-0.95	10	24 V		-10% / +10%	2	External	with throttle	with detent, without detent	14	5811673650
-0.95	10		230 V			External	with throttle	with detent, without detent	14	5811673450

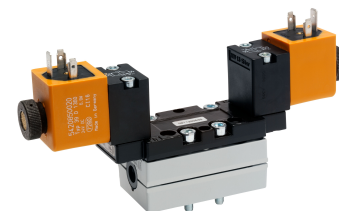


Dimensions



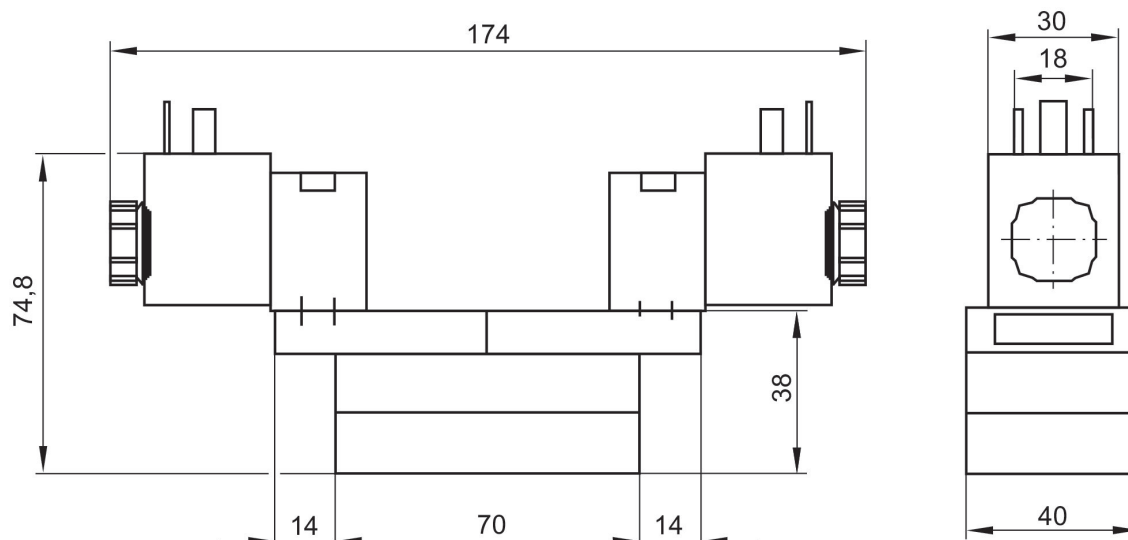
**5/2-directional valve, Series 581, size 1**

1400 l/min  
Double Solenoid  
ISO 5599-1  
Plug  
EN 175301-803, form A  
Base plate connection  
Internal thread  
Electrically  
Base plate ISO 5599-1  
Base plate ISO 5599-1



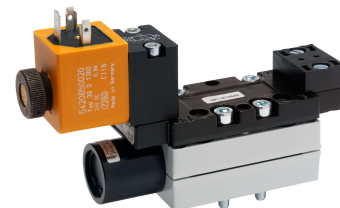
Min. working pressure [bar]	Max. working pressure [bar]	Operational voltage	Operational voltage	Voltage tolerance DC	Power consumption DC [W]	Pilot	Throttle	Manual override	Part No.
1.5	16	24 V		-10% / +10%	6.7	Internal		without	5811290530
1.5	16		230 V			Internal		without	5811290430
1.5	16	24 V		-10% / +10%	6.7	Internal	with throttle	without	5811291530
1.5	16		230 V			Internal	with throttle	without	5811291430
-0.95	16	24 V		-10% / +10%	6.7	External		without	5811292530
-0.95	16		230 V			External		without	5811292430
-0.95	16	24 V		-10% / +10%	6.7	External	with throttle	without	5811293530
-0.95	16		230 V			External	with throttle	without	5811293430

Dimensions



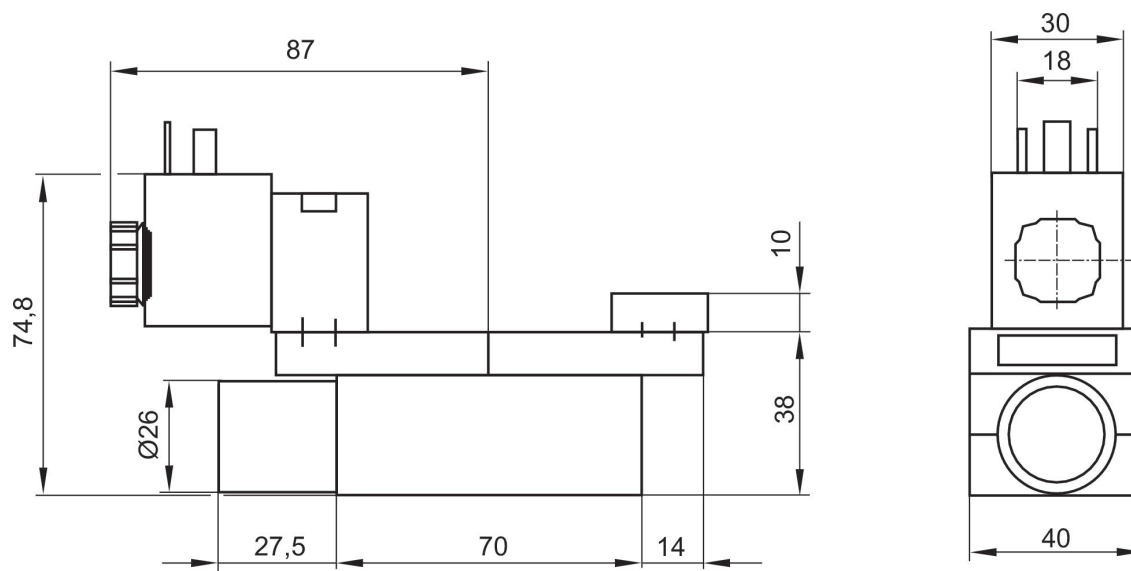
**5/2-directional valve, Series 581, size 1**

1400 l/min  
ISO 5599-1  
Plug  
EN 175301-803, form A  
Base plate connection  
Internal thread  
Electrically  
Base plate ISO 5599-1  
Base plate ISO 5599-1



Min. working pressure [bar]	Max. working pressure [bar]	Operational voltage	Operational voltage	Voltage tolerance DC	Power consumption DC [W]	Pilot	Throttle	Manual override	Part No.
1.3	16	24 V		-10% / +10%	6.7	Internal		without	5811670530
1.3	16		230 V			Internal		without	5811670430
1.3	16	24 V		-10% / +10%	6.7	Internal	with throttle	without	5811671530
1.3	16		230 V			Internal	with throttle	without	5811671430
-0.95	16	24 V		-10% / +10%	6.7	External		without	5811672530
-0.95	16		230 V			External		without	5811672430
-0.95	16	24 V		-10% / +10%	6.7	External	with throttle	without	5811673530
-0.95	16		230 V			External	with throttle	without	5811673430

Dimensions



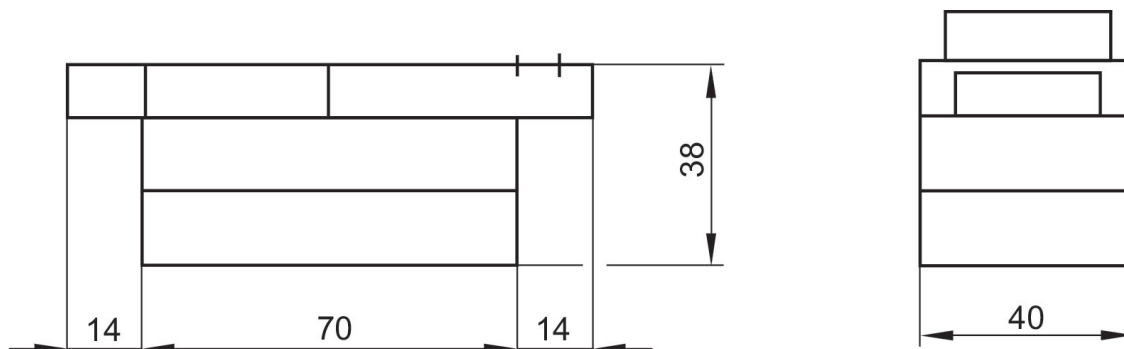
**5/2-directional valve, Series 581, size 1**

1400 l/min  
 Double Solenoid  
 ISO 5599-1  
 Base plate connection  
 Electrically  
 Basic valve without pilot valve  
 Base plate ISO 5599-1  
 Base plate ISO 5599-1



Min. working pressure [bar]	Max. working pressure [bar]	Pilot	Part No.
-0.95	16	External, Internal	5811280100

Dimensions



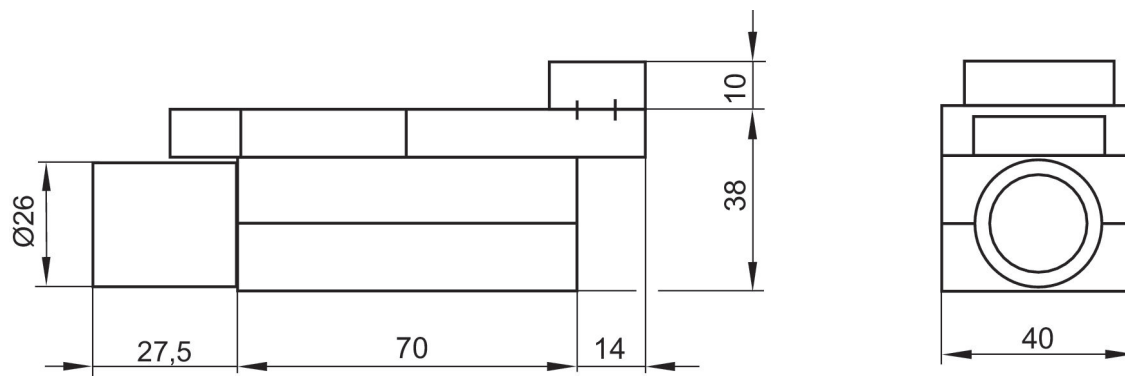
**5/2-directional valve, Series 581, size 1**

1400 l/min  
ISO 5599-1  
Base plate connection  
Electrically  
Basic valve without pilot valve  
Base plate ISO 5599-1  
Base plate ISO 5599-1



Min. working pressure [bar]	Max. working pressure [bar]	Pilot	Part No.
-0.95	16	External, Internal	5811680100

Dimensions



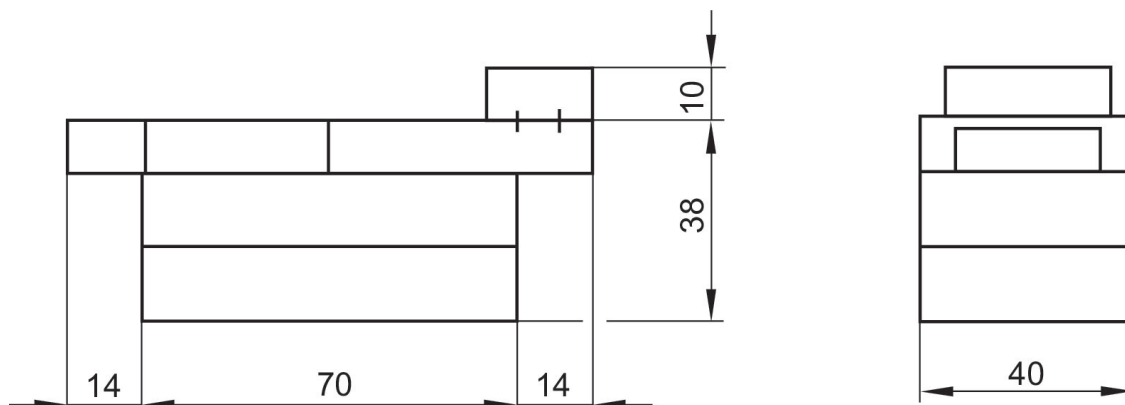
**5/2-directional valve, Series 581, size 1**

1400 l/min  
Single Solenoid  
ISO 5599-1  
Base plate connection  
Electrically  
Basic valve without pilot valve  
Base plate ISO 5599-1  
Base plate ISO 5599-1



Min. working pressure [bar]	Max. working pressure [bar]	Pilot	Part No.
-0.95	16	External, Internal	5811180100

Dimensions



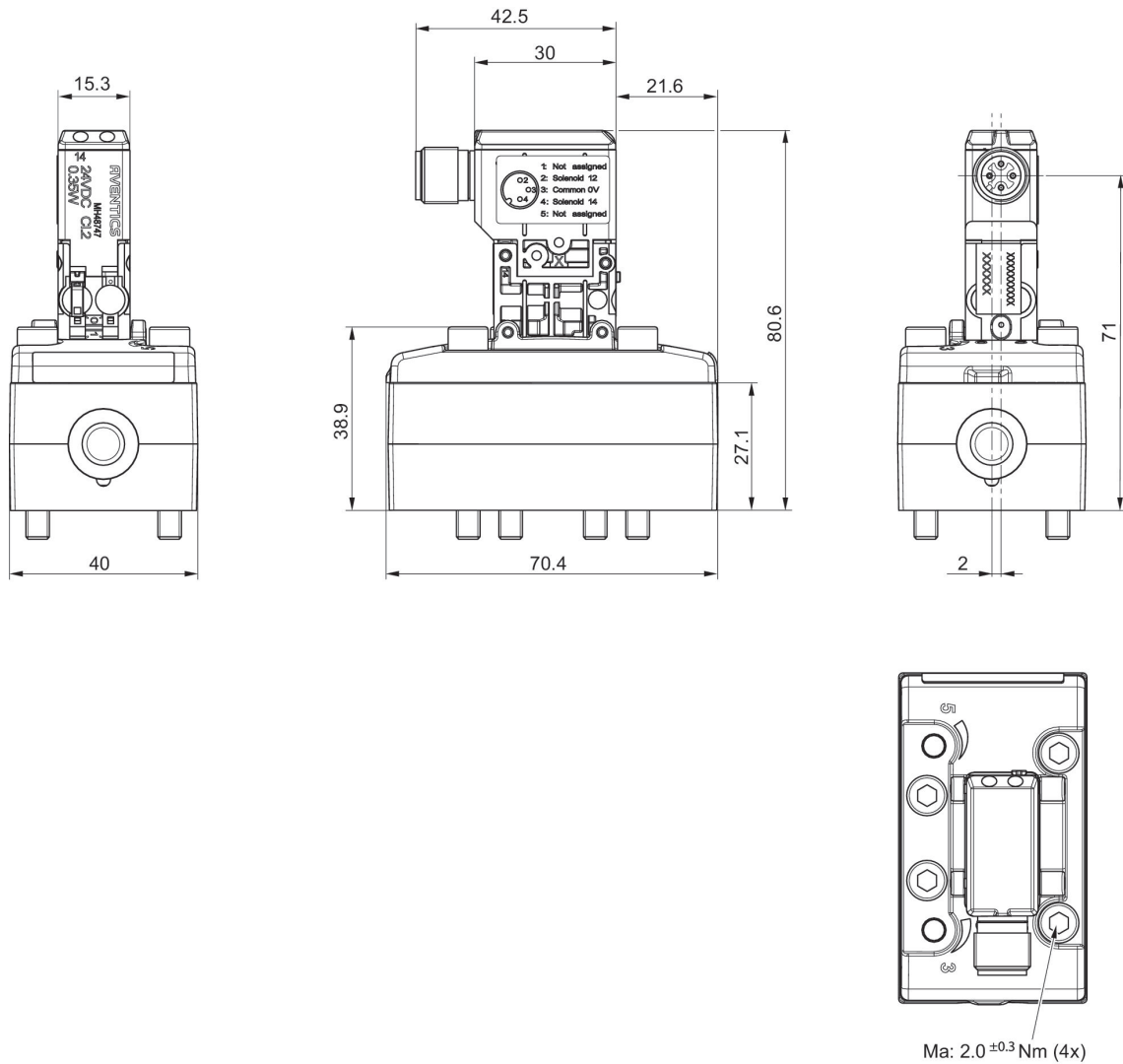
**5/2-directional valve, Series 581, size 1**

4800 l/min  
Single Solenoid  
ISO 5599-1  
Plug  
M12  
Base plate connection  
Electrically  
4-pin  
Base plate ISO 5599-1  
Base plate ISO 5599-1



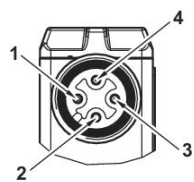
Min. working pressure [bar]	Max. working pressure [bar]	Operational voltage	Voltage tolerance DC	Power consumption DC [W]	Pilot	Throttle	Manual override	Part No.
-0.95	10	24 V	-10% / +10%	0.35	External		with detent	5811112720
-0.95	10	24 V	-10% / +10%	0.35	External		without detent	5811112710
-0.95	10	24 V	-10% / +10%	0.35	Internal		with detent	5811110720
-0.95	10	24 V	-10% / +10%	0.35	Internal		without detent	5811110710
-0.95	10	24 V	-10% / +10%	0.35	External	with throttle	with detent	5811113720
-0.95	10	24 V	-10% / +10%	0.35	External	with throttle	without detent	5811113710
-0.95	10	24 V	-10% / +10%	0.35	Internal	with throttle	with detent	5811111720
-0.95	10	24 V	-10% / +10%	0.35	Internal	with throttle	without detent	5811111710

Dimensions



**5811112720, 5811112710, 5811110720, 5811110710, 5811113720, 5811113710, 5811111720, 5811111710**

Pin assignments



- 1) not assigned
- 2) Coil 12
- 3) 0 V DC
- 4) Coil 14



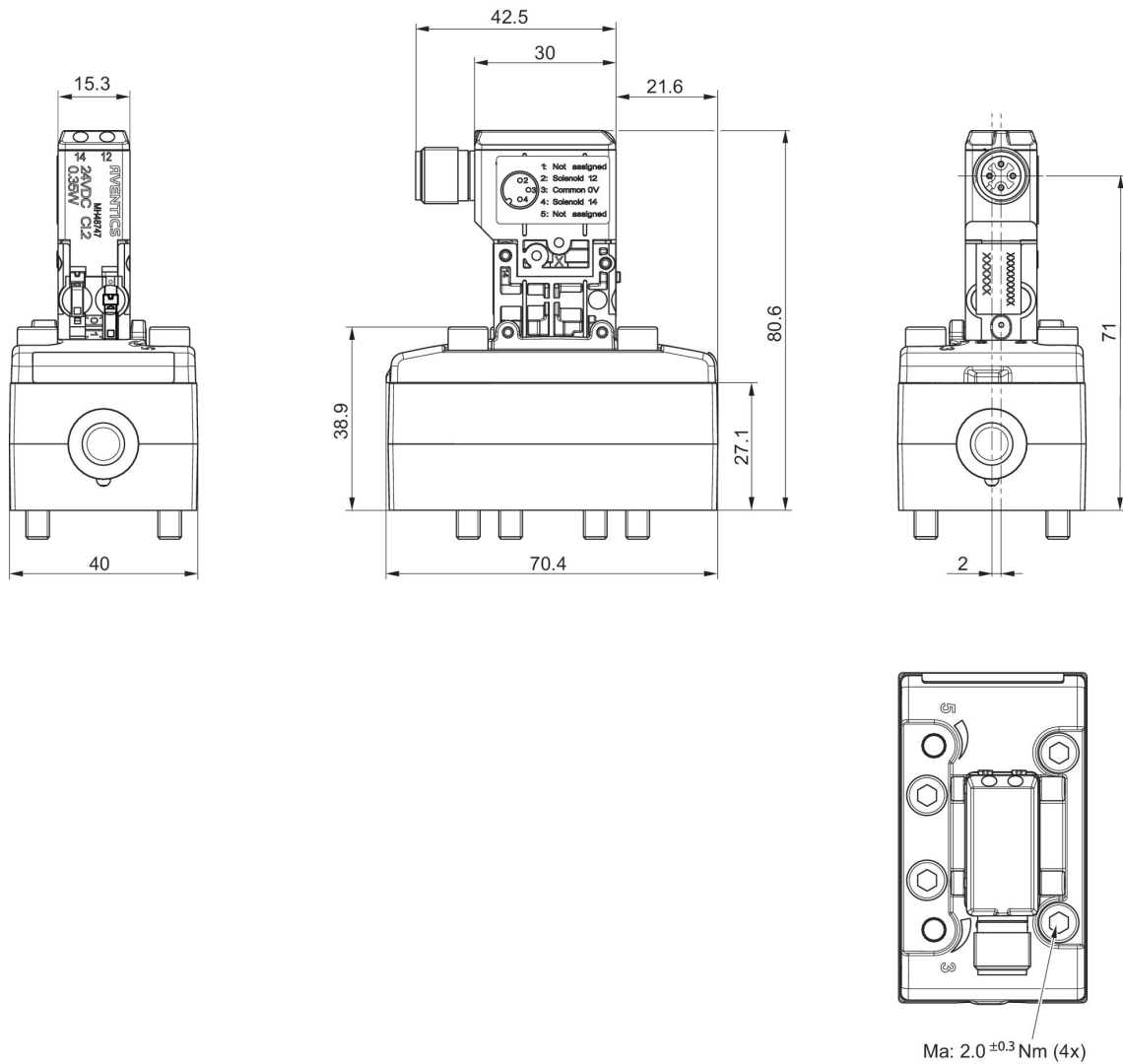
**5/2-directional valve, Series 581, size 1**

4800 l/min  
Double Solenoid  
ISO 5599-1  
Plug  
M12  
Base plate connection  
Electrically  
4-pin  
Base plate ISO 5599-1  
Base plate ISO 5599-1



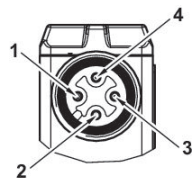
Min. working pressure [bar]	Max. working pressure [bar]	Operational voltage	Voltage tolerance DC	Power consumption DC [W]	Pilot	Throttle	Manual override	Part No.
-0.95	10	24 V	-10% / +10%	0.35	External		without detent	5811222720
-0.95	10	24 V	-10% / +10%	0.35	External		with detent	5811222710
-0.95	10	24 V	-10% / +10%	0.35	Internal		without detent	5811220720
-0.95	10	24 V	-10% / +10%	0.35	Internal		with detent	5811220710
-0.95	10	24 V	-10% / +10%	0.35	External	with throttle	without detent	5811223720
-0.95	10	24 V	-10% / +10%	0.35	External	with throttle	with detent	5811223710
-0.95	10	24 V	-10% / +10%	0.35	Internal	with throttle	without detent	5811221720
-0.95	10	24 V	-10% / +10%	0.35	Internal	with throttle	with detent	5811221710

Dimensions



**5811222720, 5811222710, 5811220720, 5811220710, 5811223720, 5811223710, 5811221720, 5811221710**

Pin assignments



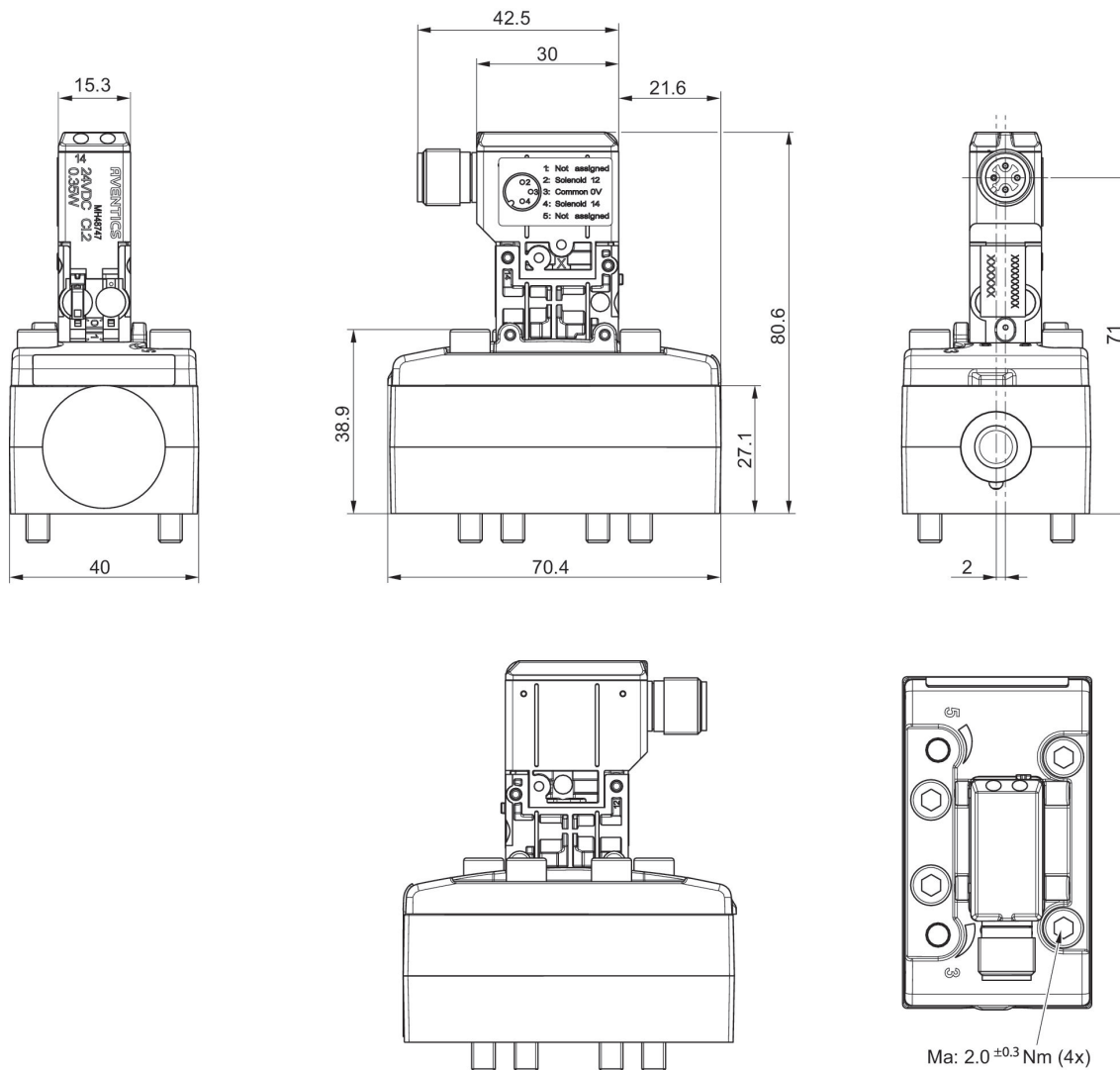
- 1) not assigned
- 2) Coil 12
- 3) 0 V DC
- 4) Coil 14

**5/2-directional valve, Series 581, size 1**

4800 l/min  
ISO 5599-1  
Plug  
M12  
Base plate connection  
Electrically  
4-pin  
Base plate ISO 5599-1  
Base plate ISO 5599-1

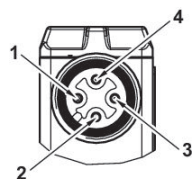


Min. working pressure [bar]	Max. working pressure [bar]	Operational voltage	Voltage tolerance DC	Power consumption DC [W]	Pilot	Throttle	Manual override	Part No.
-0.95	10	24 V	-10% / +10%	0.35	Internal	with throttle	without detent	5811611720
-0.95	10	24 V	-10% / +10%	0.35	Internal	with throttle	with detent	5811611710
-0.95	10	24 V	-10% / +10%	0.35	External	with throttle	without detent	5811613720
-0.95	10	24 V	-10% / +10%	0.35	External	with throttle	with detent	5811613710
-0.95	10	24 V	-10% / +10%	0.35	External		without detent	5811612720
-0.95	10	24 V	-10% / +10%	0.35	External		with detent	5811612710
-0.95	10	24 V	-10% / +10%	0.35	Internal		without detent	5811610720
-0.95	10	24 V	-10% / +10%	0.35	Internal		with detent	5811610710



**5811611720, 5811611710, 5811613720, 5811613710, 5811612720, 5811612710, 5811610720, 5811610710**

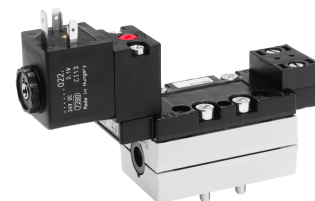
Pin assignments



- 1) not assigned
- 2) Coil 12
- 3) 0 V DC
- 4) Coil 14

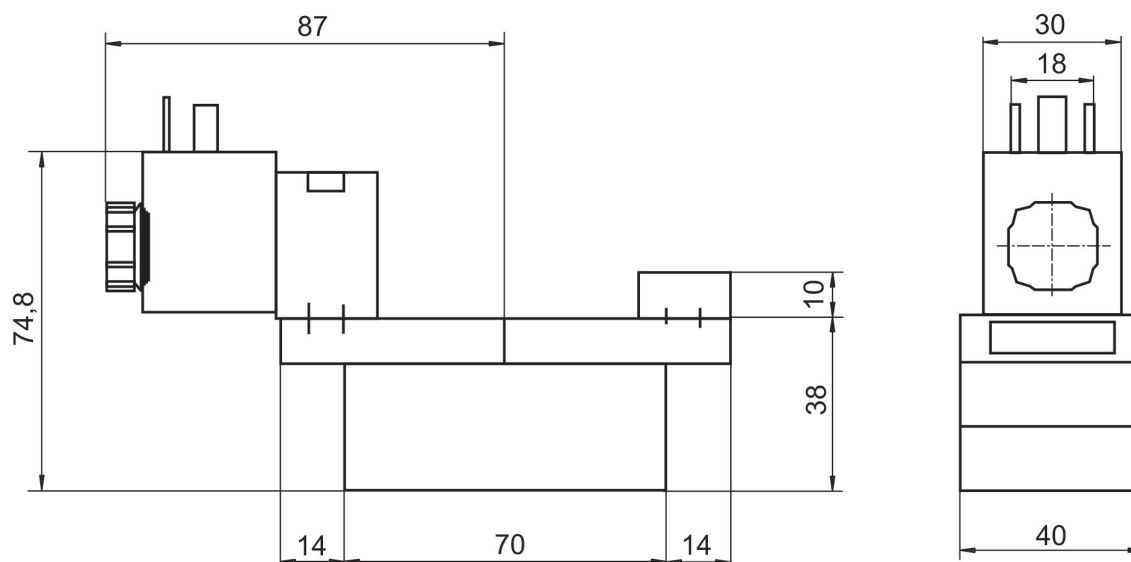
**5/2-directional valve, Series 581, size 1**

1400 l/min  
ISO 5599-1  
Plug  
EN 175301-803, form A  
Base plate connection  
Internal thread  
Electrically  
Base plate ISO 5599-1  
Base plate ISO 5599-1



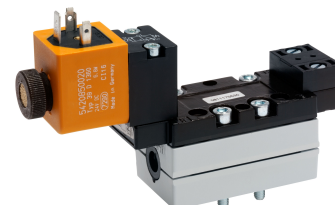
Min. working pressure [bar]	Max. working pressure [bar]	Operational voltage	Pilot	Manual override	Compatibility index	Part No.
3	10	230 V	Internal	with detent, without detent	14	5811170050
3	10	110 V	Internal	with detent, without detent	14	5811170350

Dimensions



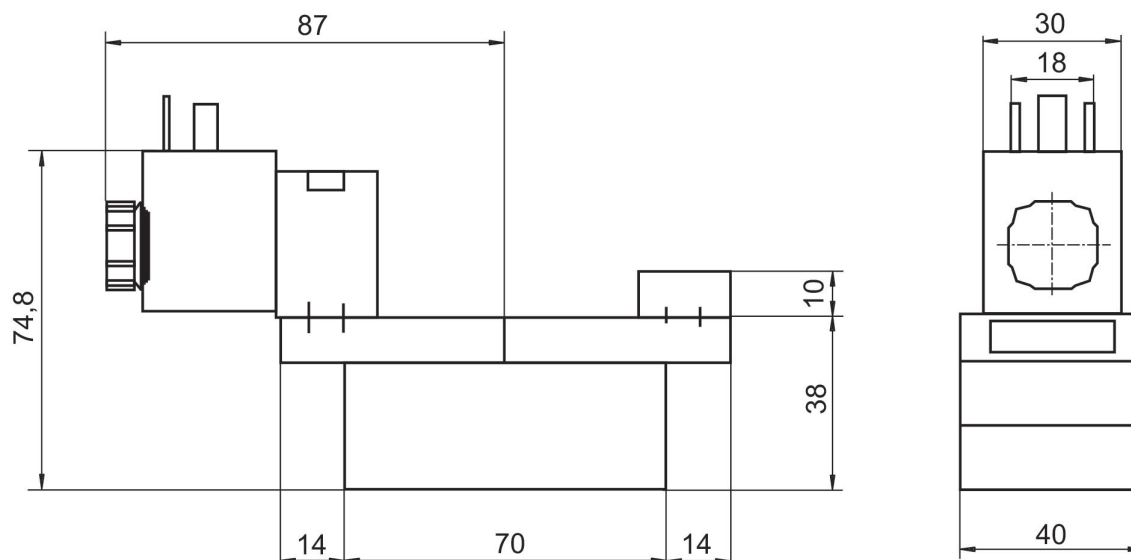
**5/2-directional valve, Series 581, size 1**

1400 l/min  
Single Solenoid  
ISO 5599-1  
Plug  
EN 175301-803, form A  
Base plate connection  
Internal thread  
Electrically  
Base plate ISO 5599-1  
Base plate ISO 5599-1



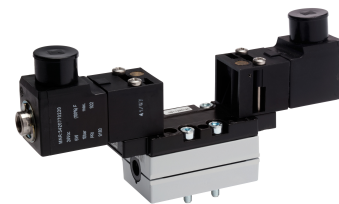
Min. working pressure [bar]	Max. working pressure [bar]	Operational voltage	Operational voltage	Voltage tolerance DC	Power consumption DC [W]	Pilot	Throttle	Manual override	Part No.
3	16	24 V		-10% / +10%	6.7	Internal		without	5811170530
3	16		230 V			Internal		without	5811170430
3	16	24 V		-10% / +10%	6.7	Internal	with throttle	without	5811171530
3	16		230 V			Internal	with throttle	without	5811171430
-0.95	16	24 V		-10% / +10%	6.7	External		without	5811172530
-0.95	16		230 V			External		without	5811172430
-0.95	16	24 V		-10% / +10%	6.7	External	with throttle	without	5811173530
-0.95	16		230 V			External	with throttle	without	5811173430

Dimensions



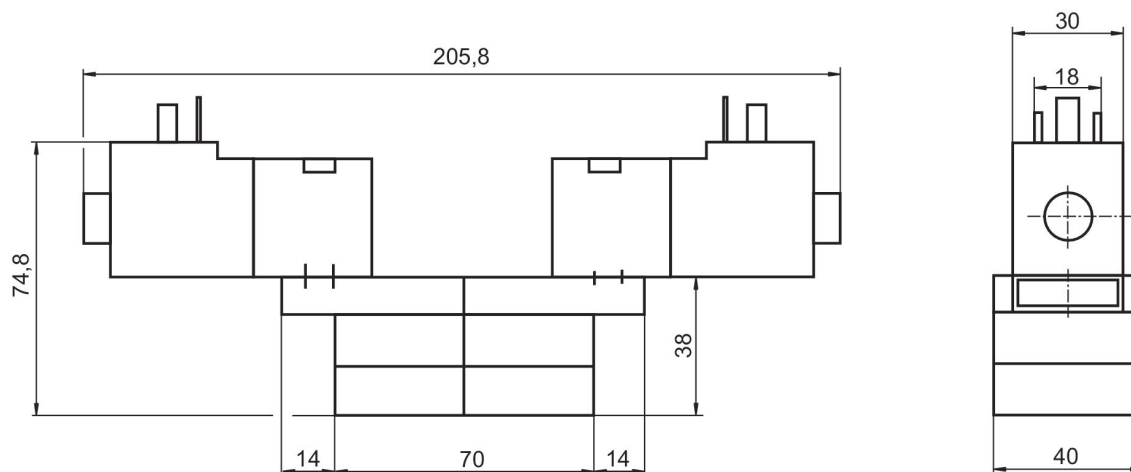
**5/2-directional valve, Series 581, size 1**

1400 l/min  
Double Solenoid  
ISO 5599-1  
Plug  
EN 175301-803, form A  
Base plate connection  
Internal thread  
Electrically  
Base plate ISO 5599-1  
Base plate ISO 5599-1



Min. working pressure [bar]	Max. working pressure [bar]	Operational voltage	Voltage tolerance DC	Power consumption DC [W]	Pilot	Throttle	Manual override	Part No.
1.5	10	24 V	-10% / +10%	6	Internal		without detent	5811290190
1.5	10	24 V	-10% / +10%	6	Internal	with throttle	without detent	5811291190
-0.95	10	24 V	-10% / +10%	6	External		without detent	5811292190
-0.95	10	24 V	-10% / +10%	6	External	with throttle	without detent	5811293190

Dimensions



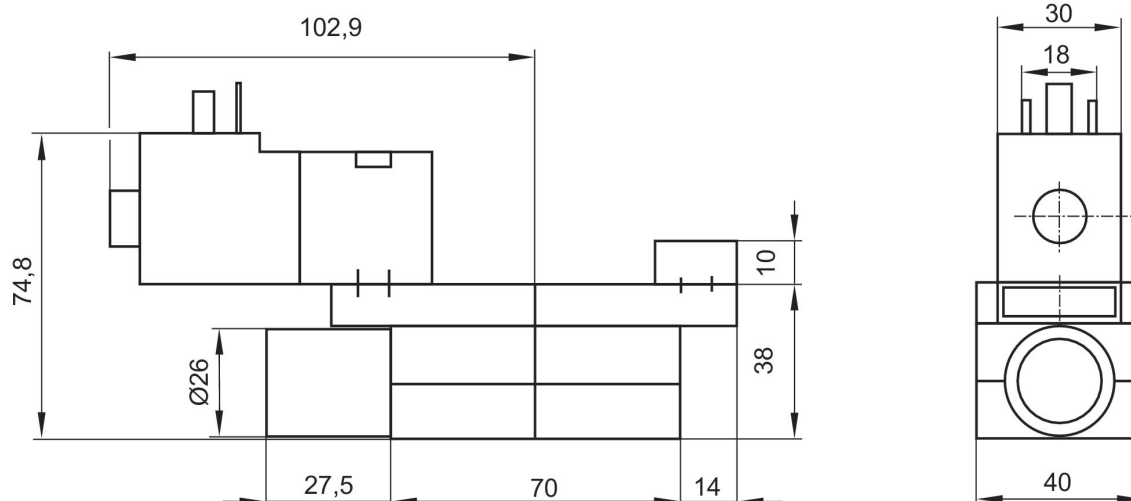
**5/2-directional valve, Series 581, size 1**

1400 l/min  
ISO 5599-1  
Plug  
EN 175301-803, form A  
Base plate connection  
Internal thread  
Electrically  
Base plate ISO 5599-1  
Base plate ISO 5599-1



Min. working pressure [bar]	Max. working pressure [bar]	Operational voltage	Voltage tolerance DC	Power consumption DC [W]	Pilot	Throttle	Manual override	Part No.
1.3	10	24 V	-10% / +10%	6	Internal		without detent	5811670190
1.3	10	24 V	-10% / +10%	6	Internal	with throttle	without detent	5811671190
-0.95	10	24 V	-10% / +10%	6	External		without detent	5811672190
-0.95	10	24 V	-10% / +10%	6	External	with throttle	without detent	5811673190

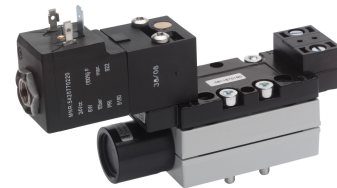
Dimensions





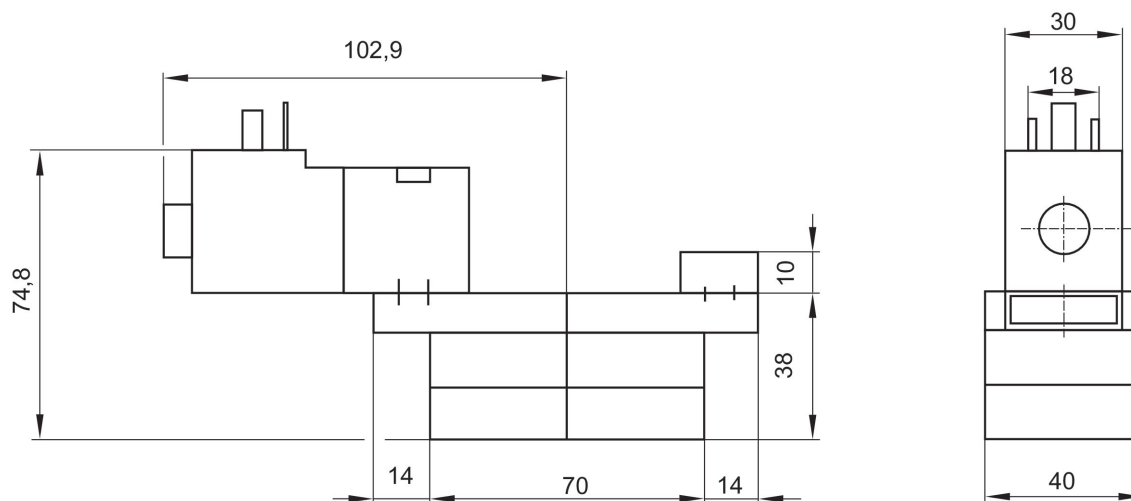
**5/2-directional valve, Series 581, size 1**

1400 l/min  
Double Solenoid  
ISO 5599-1  
Plug  
EN 175301-803, form A  
Base plate connection  
Internal thread  
Electrically  
Base plate ISO 5599-1  
Base plate ISO 5599-1



Min. working pressure [bar]	Max. working pressure [bar]	Operational voltage	Voltage tolerance DC	Power consumption DC [W]	Pilot	Throttle	Manual override	Part No.
3	10	24 V	-10% / +10%	6	Internal		without detent	5811170190
3	10	24 V	-10% / +10%	6	Internal	with throttle	without detent	5811171190
-0.95	10	24 V	-10% / +10%	6	External		without detent	5811172190
-0.95	10	24 V	-10% / +10%	6	External	with throttle	without detent	5811173190

Dimensions



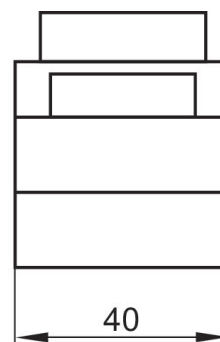
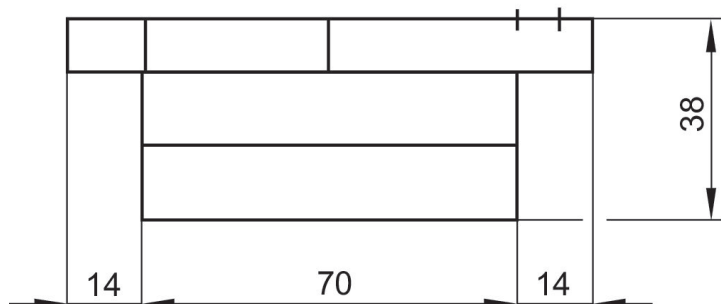
**5/2-directional valve, Series 581, size 1**

1400 l/min  
 Double Solenoid  
 ISO 5599-1  
 Base plate connection  
 Electrically  
 Basic valve without pilot valve  
 Base plate ISO 5599-1  
 Base plate ISO 5599-1



Min. working pressure [bar]	Max. working pressure [bar]	Pilot	Throttle	Part No.
-0.95	16	External, Internal		5811280000
-0.95	16	External, Internal	with throttle	5811281000

Dimensions



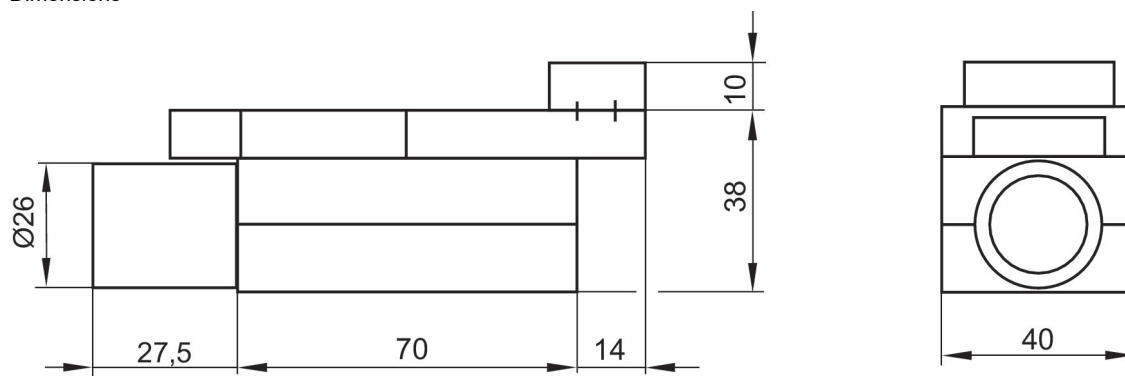
**5/2-directional valve, Series 581, size 1**

1400 l/min  
ISO 5599-1  
Base plate connection  
Electrically  
Basic valve without pilot valve  
Base plate ISO 5599-1  
Base plate ISO 5599-1



Min. working pressure [bar]	Max. working pressure [bar]	Pilot	Throttle	Part No.
-0.95	16	External, Internal		5811680000
-0.95	16	External, Internal	with throttle	5811681000

Dimensions



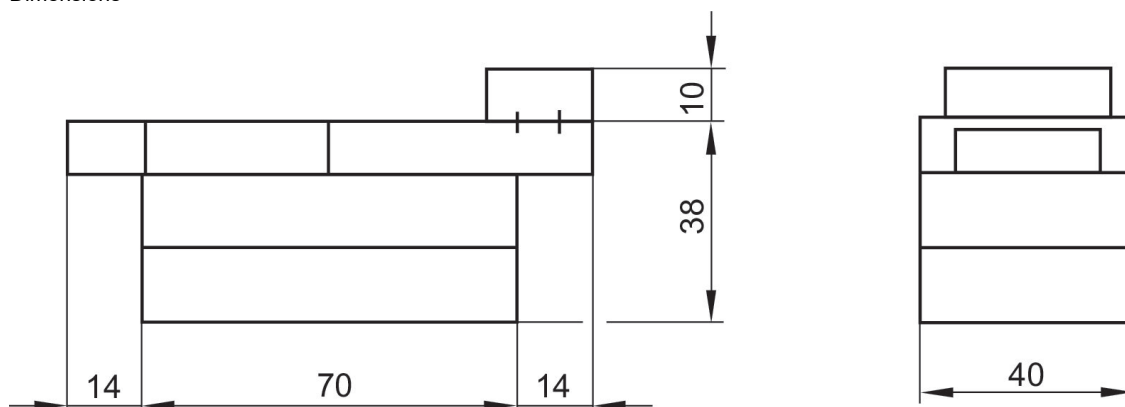
**5/2-directional valve, Series 581, size 1**

1400 l/min  
Single Solenoid  
ISO 5599-1  
Base plate connection  
Electrically  
Basic valve without pilot valve  
Base plate ISO 5599-1  
Base plate ISO 5599-1



Min. working pressure [bar]	Max. working pressure [bar]	Pilot	Throttle	Part No.
-0.95	16	External, Internal		5811180000
-0.95	16	External, Internal	with throttle	5811181000

Dimensions



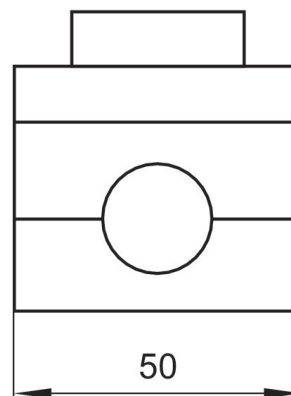
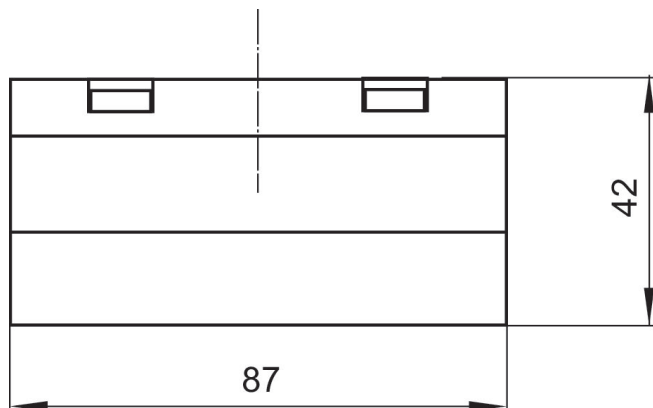
**5/3-directional valve, Series 581, size 1**

1100 l/min  
ISO 5599-1  
Base plate connection  
Electrically  
Basic valve without pilot valve  
Base plate ISO 5599-1  
Base plate ISO 5599-1



	Min. working pressure [bar]	Max. working pressure [bar]	Pilot	Part No.
Closed Center	-0.95	16	External, Internal	5811480100
Exhausted Center	-0.95	16	External, Internal	5811580100
Pressurized Center	-0.95	16	External, Internal	5811780100

Dimensions



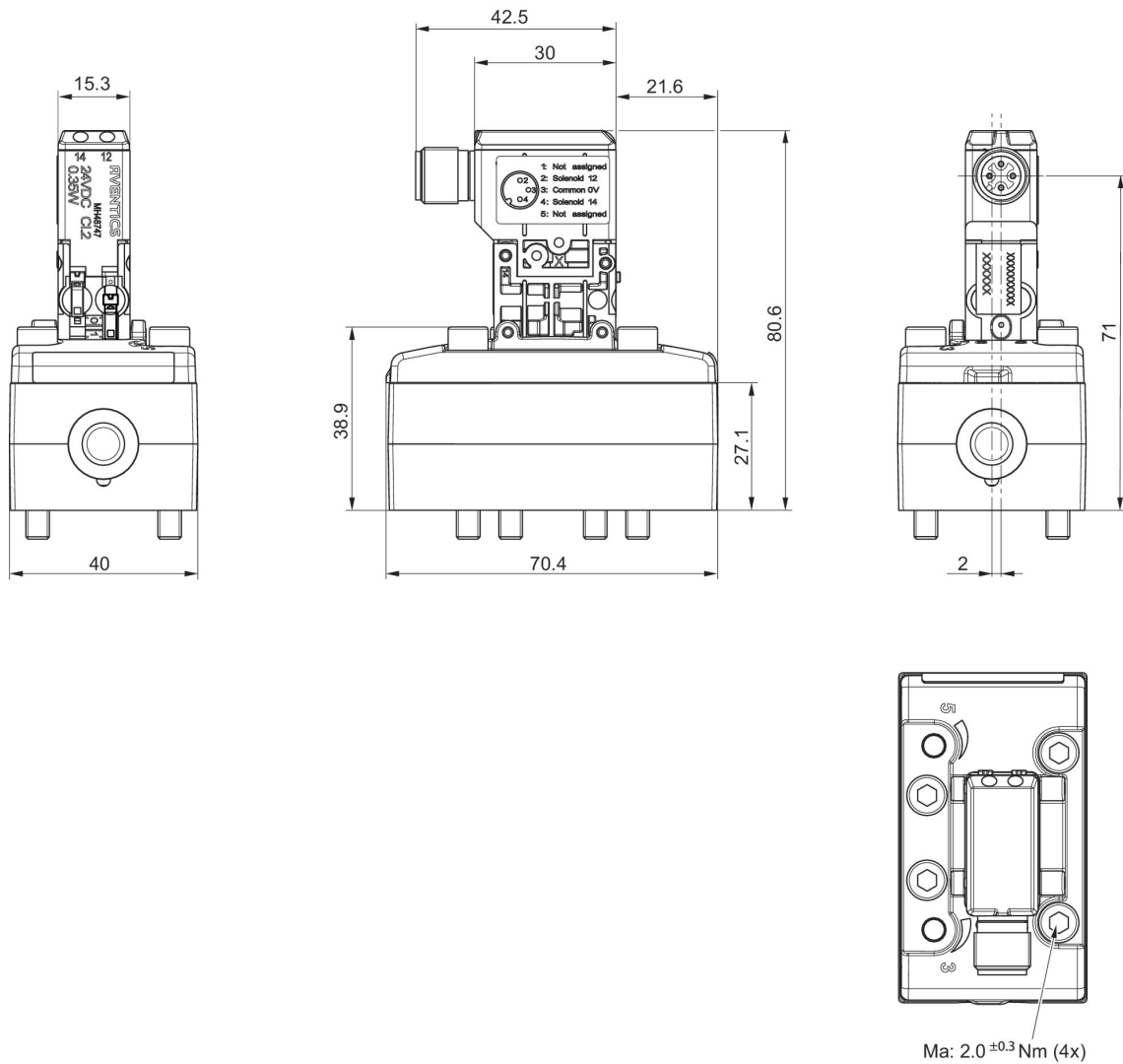
**5/3-directional valve, Series 581, size 1**

4100 l/min  
ISO 5599-1  
Plug  
M12  
Base plate connection  
Electrically  
4-pin  
Base plate ISO 5599-1  
Base plate ISO 5599-1



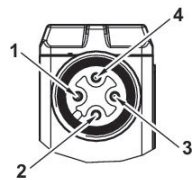
	Min. working pressure [bar]	Max. working pressure [bar]	Operational voltage	Voltage tolerance DC	Power consumption DC [W]	Pilot	Throttle	Manual override	Part No.
Closed Center	-0.95	10	24 V	-10% / +10%	0.35	External		without detent	5811422720
Closed Center	-0.95	10	24 V	-10% / +10%	0.35	External		with detent	5811422710
Closed Center	-0.95	10	24 V	-10% / +10%	0.35	Internal		without detent	5811420720
Closed Center	-0.95	10	24 V	-10% / +10%	0.35	Internal		with detent	5811420710
Closed Center	-0.95	10	24 V	-10% / +10%	0.35	External	with throttle	without detent	5811423720
Closed Center	-0.95	10	24 V	-10% / +10%	0.35	External	with throttle	with detent	5811423710
Closed Center	-0.95	10	24 V	-10% / +10%	0.35	Internal	with throttle	without detent	5811421720
Closed Center	-0.95	10	24 V	-10% / +10%	0.35	Internal	with throttle	with detent	5811421710

Dimensions



**5811422720, 5811422710, 5811420720, 5811420710, 5811423720, 5811423710, 5811421720, 5811421710**

Pin assignments



- 1) not assigned
- 2) Coil 12
- 3) 0 V DC
- 4) Coil 14

**5/3-directional valve, Series 581, size 1**

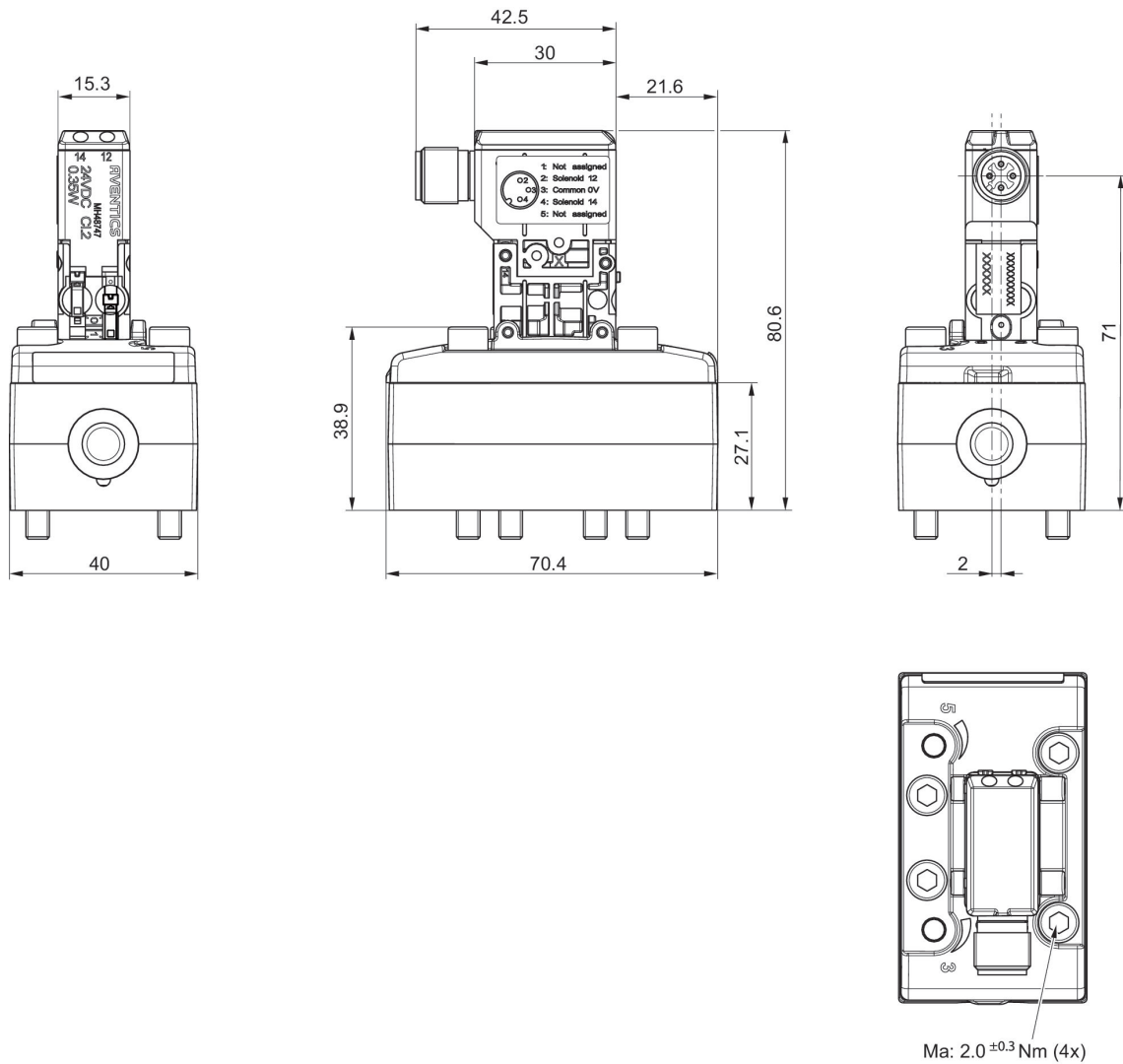
4100 l/min  
ISO 5599-1  
Plug  
M12  
Base plate connection  
Electrically  
4-pin  
Base plate ISO 5599-1  
Base plate ISO 5599-1



	Min. working pressure [bar]	Max. working pressure [bar]	Operational voltage	Voltage tolerance DC	Power consumption DC [W]	Pilot	Throttle	Manual override	Part No.
Exhausted Center	-0.95	10	24 V	-10% / +10%	0.35	External		without detent	5811522720
Exhausted Center	-0.95	10	24 V	-10% / +10%	0.35	External		with detent	5811522710
Exhausted Center	-0.95	10	24 V	-10% / +10%	0.35	Internal		without detent	5811520720
Exhausted Center	-0.95	10	24 V	-10% / +10%	0.35	Internal		with detent	5811520710
Exhausted Center	-0.95	10	24 V	-10% / +10%	0.35	External	with throttle	without detent	5811523720
Exhausted Center	-0.95	10	24 V	-10% / +10%	0.35	External	with throttle	with detent	5811523710
Exhausted Center	-0.95	10	24 V	-10% / +10%	0.35	Internal	with throttle	without detent	5811521720
Exhausted Center	-0.95	10	24 V	-10% / +10%	0.35	Internal	with throttle	with detent	5811521710

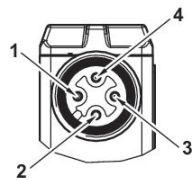


Dimensions



**5811522720, 5811522710, 5811520720, 5811520710, 5811523720, 5811523710, 5811521720, 5811521710**

Pin assignments



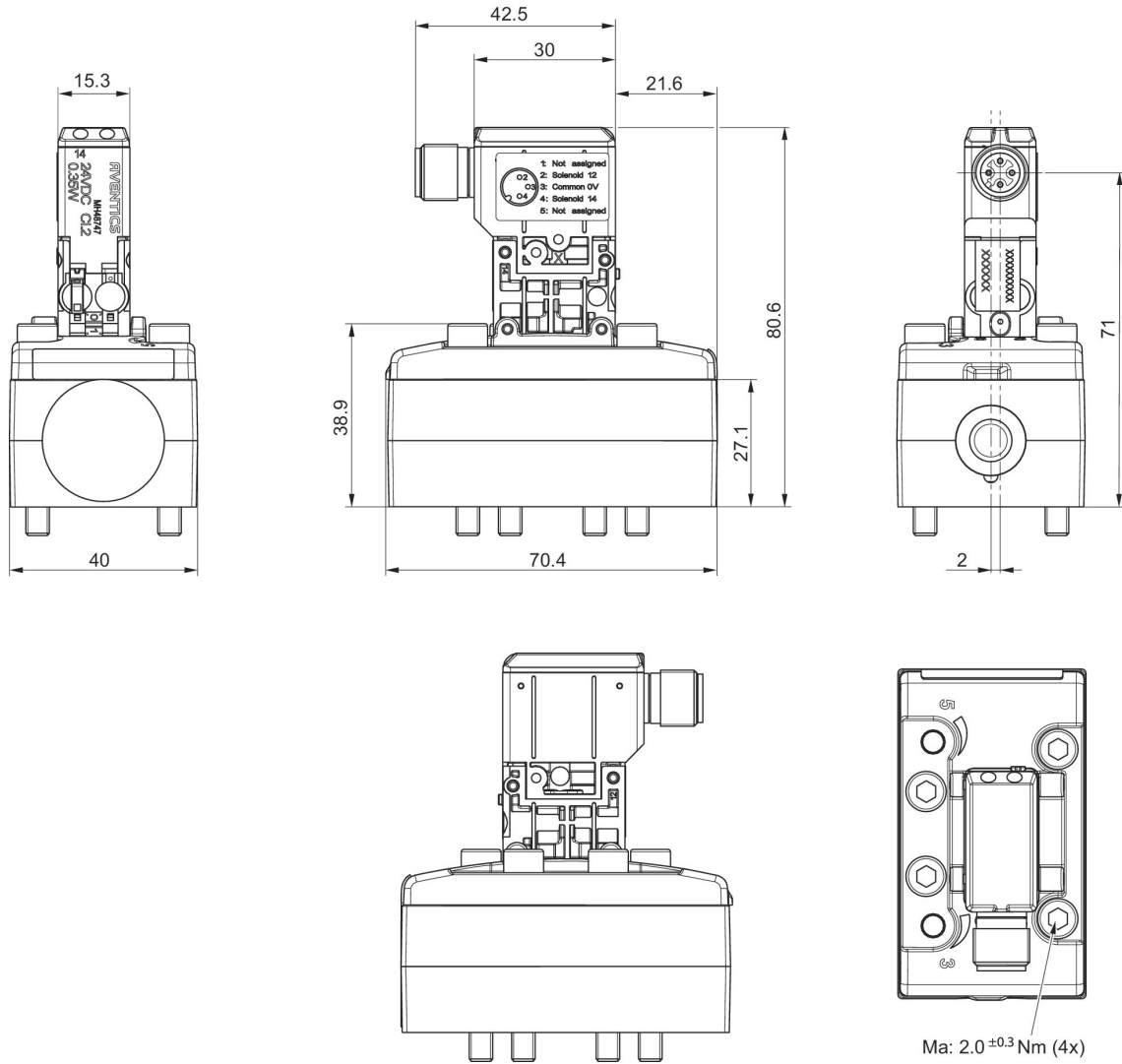
- 1) not assigned
- 2) Coil 12
- 3) 0 V DC
- 4) Coil 14

**5/3-directional valve, Series 581, size 1**

4100 l/min  
ISO 5599-1  
Plug  
M12  
Base plate connection  
Electrically  
4-pin  
Base plate ISO 5599-1  
Base plate ISO 5599-1

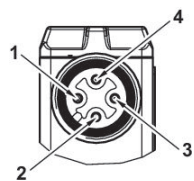


	Min. working pressure [bar]	Max. working pressure [bar]	Operational voltage	Voltage tolerance DC	Power consumption DC [W]	Pilot	Throttle	Manual override	Part No.
Pressurized Center	-0.95	10	24 V	-10% / +10%	0.35	External		without detent	5811722720
Pressurized Center	-0.95	10	24 V	-10% / +10%	0.35	External		with detent	5811722710
Pressurized Center	-0.95	10	24 V	-10% / +10%	0.35	Internal		without detent	5811720720
Pressurized Center	-0.95	10	24 V	-10% / +10%	0.35	Internal		with detent	5811720710
Pressurized Center	-0.95	10	24 V	-10% / +10%	0.35	External	with throttle	without detent	5811723720
Pressurized Center	-0.95	10	24 V	-10% / +10%	0.35	External	with throttle	with detent	5811723710
Pressurized Center	-0.95	10	24 V	-10% / +10%	0.35	Internal	with throttle	without detent	5811721720
Pressurized Center	-0.95	10	24 V	-10% / +10%	0.35	Internal	with throttle	with detent	5811721710



**5811722720, 5811722710, 5811720720, 5811720710, 5811723720, 5811723710, 5811721720, 5811721710**

Pin assignments



- 1) not assigned
- 2) Coil 12
- 3) 0 V DC
- 4) Coil 14

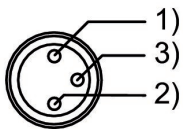
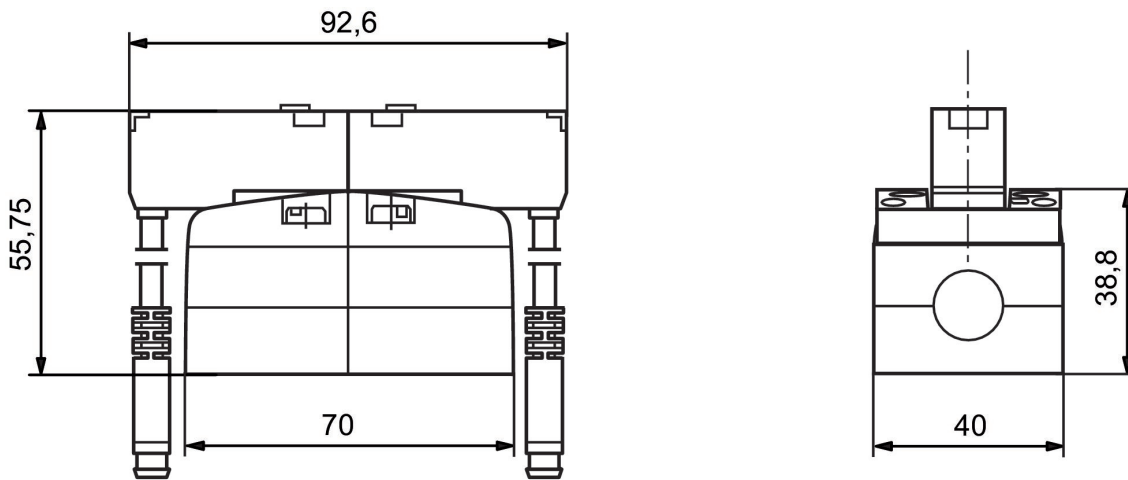
**5/3-directional valve, Series 581, size 1**

1100 l/min  
ISO 5599-1  
Plug  
Base plate connection  
Electrically  
3-pin  
Base plate ISO 5599-1  
Base plate ISO 5599-1



	Min. working pressure [bar]	Max. working pressure [bar]	Operational voltage	Voltage tolerance DC	Power consumption DC [W]	Pilot	Throttle	Manual override	Part No.
Closed Center	3	10	24 V	-10% / +10%	2.2	Internal		without detent	5811460160
Closed Center	3	10	24 V	-10% / +10%	2.2	Internal	with throttle	without detent	5811461160
Closed Center	-0.95	10	24 V	-10% / +10%	2.2	External		without detent	5811462160
Closed Center	-0.95	10	24 V	-10% / +10%	2.2	External	with throttle	without detent	5811463160
Exhausted Center	3	10	24 V	-10% / +10%	2.2	Internal		without detent	5811560160
Exhausted Center	3	10	24 V	-10% / +10%	2.2	Internal	with throttle	without detent	5811561160
Exhausted Center	-0.95	10	24 V	-10% / +10%	2.2	External		without detent	5811562160
Exhausted Center	-0.95	10	24 V	-10% / +10%	2.2	External	with throttle	without detent	5811563160
Pressurized Center	3	10	24 V	-10% / +10%	2.2	Internal		without detent	5811760160
Pressurized Center	3	10	24 V	-10% / +10%	2.2	Internal	with throttle	without detent	5811761160
Pressurized Center	-0.95	10	24 V	-10% / +10%	2.2	External		without detent	5811762160
Pressurized Center	-0.95	10	24 V	-10% / +10%	2.2	External	with throttle	without detent	5811763160

Dimensions



Pin assignment 1) brown (+24 V) 2) green/yellow (ground) 3) blue (0 V)

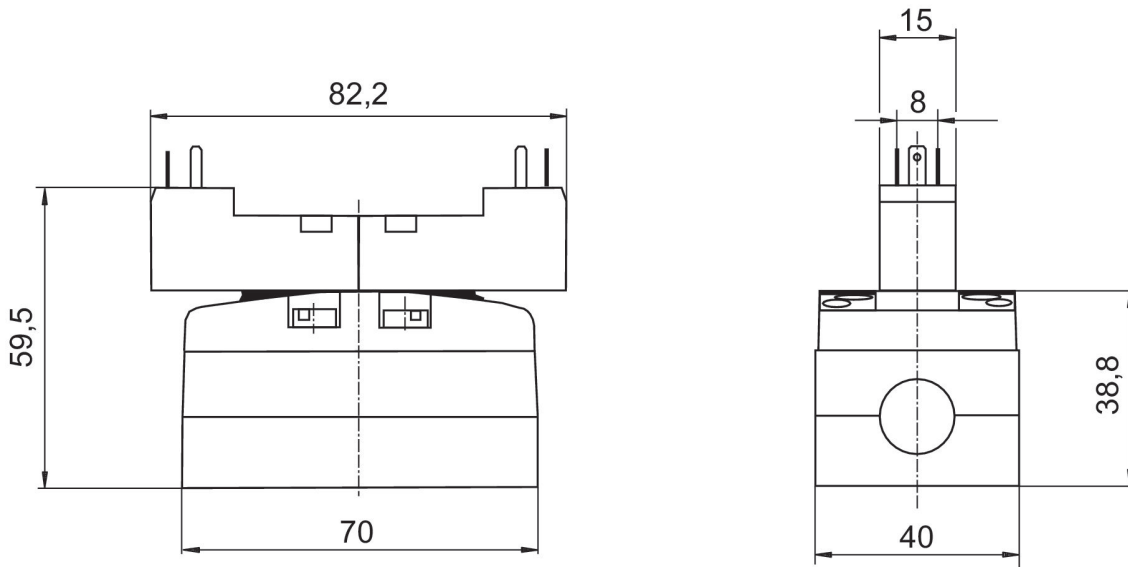
**5/3-directional valve, Series 581, size 1**

1100 l/min  
ISO 5599-1  
Plug  
ISO 15217, form C  
Base plate connection  
Electrically  
Base plate ISO 5599-1  
Base plate ISO 5599-1



	Min. working pressure [bar]	Max. working pressure [bar]	Operational voltage	Voltage tolerance DC	Power consumption DC [W]	Pilot	Throttle	Manual override	Part No.
Closed Center	3	10	24 V	-10% / +10%	2	Internal		without detent	5811460130
Closed Center	3	10	24 V	-10% / +10%	2	Internal	with throttle	without detent	5811461130
Closed Center	-0.95	10	24 V	-10% / +10%	2	External		without detent	5811462130
Closed Center	-0.95	10	24 V	-10% / +10%	2	External	with throttle	without detent	5811463130
Exhausted Center	3	10	24 V	-10% / +10%	2	Internal		without detent	5811560130
Exhausted Center	3	10	24 V	-10% / +10%	2	Internal	with throttle	without detent	5811561130
Exhausted Center	-0.95	10	24 V	-10% / +10%	2	External		without detent	5811562130
Exhausted Center	-0.95	10	24 V	-10% / +10%	2	External	with throttle	without detent	5811563130
Pressurized Center	3	10	24 V	-10% / +10%	2	Internal		without detent	5811760130
Pressurized Center	3	10	24 V	-10% / +10%	2	Internal	with throttle	without detent	5811761130
Pressurized Center	-0.95	10	24 V	-10% / +10%	2	External		without detent	5811762130
Pressurized Center	-0.95	10	24 V	-10% / +10%	2	External	with throttle	without detent	5811763130

Dimensions



**5/3-directional valve, Series 581, size 1**

1100 l/min  
ISO 5599-1  
Plug  
Form B, industry  
Base plate connection  
Internal thread  
Electrically  
Base plate ISO 5599-1  
Base plate ISO 5599-1

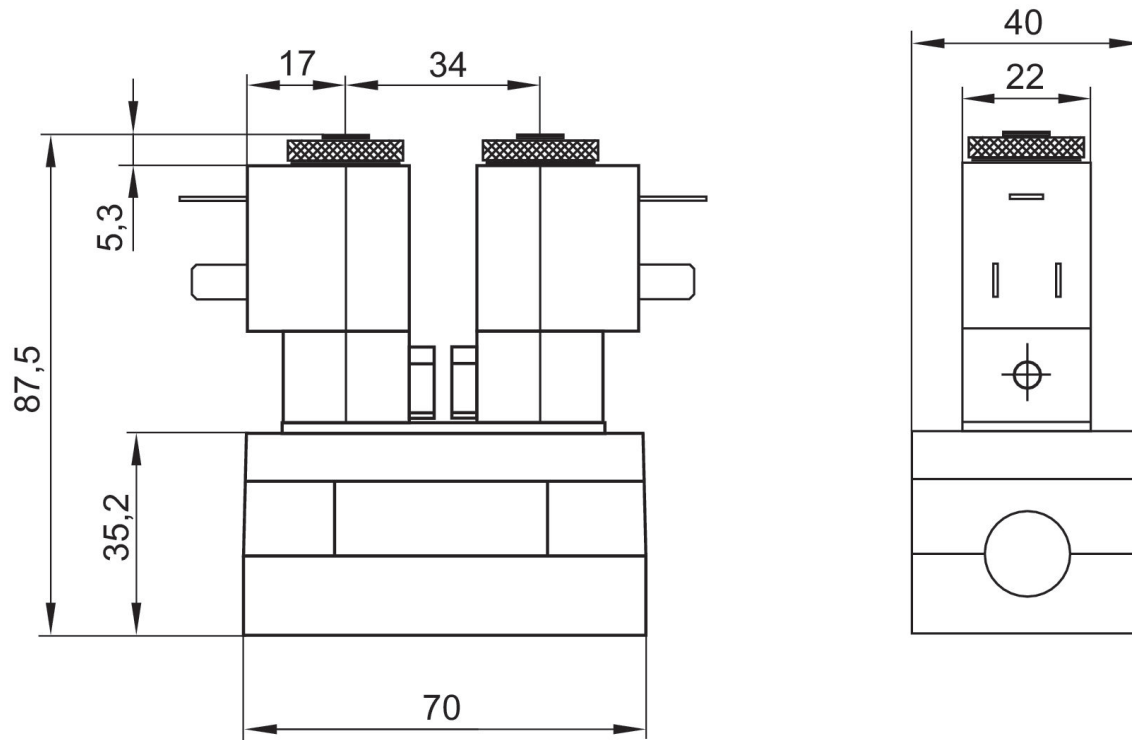


	Min. working pressure [bar]	Max. working pressure [bar]	Operational voltage	Operational voltage	Operational voltage	Voltage tolerance DC	Power consumption DC [W]	Pilot	Throttle	Manual override	Part No.
Pressurized Center	3	10	12 V			-10% / +10%	5	Internal		with detent	5811720500
Pressurized Center	3	10		24 V				Internal		with detent	5811720200
Pressurized Center	3	10	24 V			-10% / +10%	5	Internal		with detent	5811720100
Pressurized Center	3	10	48 V			-10% / +10%	5	Internal		with detent	5811720600
Pressurized Center	3	10			110 V			Internal		with detent	5811720300
Pressurized Center	3	10		230 V				Internal		with detent	5811720400
Pressurized Center	3	10						Internal		with detent	5811720000
Pressurized Center	3	10	12 V			-10% / +10%	5	Internal	with throttle	with detent	5811721500
Pressurized Center	3	10		24 V				Internal	with throttle	with detent	5811721200
Pressurized Center	3	10	24 V			-10% / +10%	5	Internal	with throttle	with detent	5811721100
Pressurized Center	3	10	48 V			-10% / +10%	5	Internal	with throttle	with detent	5811721600
Pressurized Center	3	10			110 V			Internal	with throttle	with detent	5811721300
Pressurized Center	3	10		230 V				Internal	with throttle	with detent	5811721400



	Min. working pressure [bar]	Max. working pressure [bar]	Operational voltage	Operational voltage	Operational voltage	Voltage tolerance DC	Power consumption DC [W]	Pilot	Throttle	Manual override	Part No.
Pressurized Center	3	10						Internal	with throttle	with detent	5811721000
Pressurized Center	-0.95	10	12 V			-10% / +10%	5	External		with detent	5811722500
Pressurized Center	-0.95	10		24 V				External		with detent	5811722200
Pressurized Center	-0.95	10	24 V			-10% / +10%	5	External		with detent	5811722100
Pressurized Center	-0.95	10	48 V			-10% / +10%	5	External		with detent	5811722600
Pressurized Center	-0.95	10			110 V			External		with detent	5811722300
Pressurized Center	-0.95	10		230 V				External		with detent	5811722400
Pressurized Center	-0.95	10						External		with detent	5811722000
Pressurized Center	-0.95	10	12 V			-10% / +10%	5	External	with throttle	with detent	5811723500
Pressurized Center	-0.95	10		24 V				External	with throttle	with detent	5811723200
Pressurized Center	-0.95	10	24 V			-10% / +10%	5	External	with throttle	with detent	5811723100
Pressurized Center	-0.95	10	48 V			-10% / +10%	5	External	with throttle	with detent	5811723600
Pressurized Center	-0.95	10			110 V			External	with throttle	with detent	5811723300
Pressurized Center	-0.95	10		230 V				External	with throttle	with detent	5811723400
Pressurized Center	-0.95	10		230 V				External	with throttle	with detent	5811723000

Dimensions



The pilot valves can be loosened and turned through 180°.

**5/3-directional valve, Series 581, size 1**

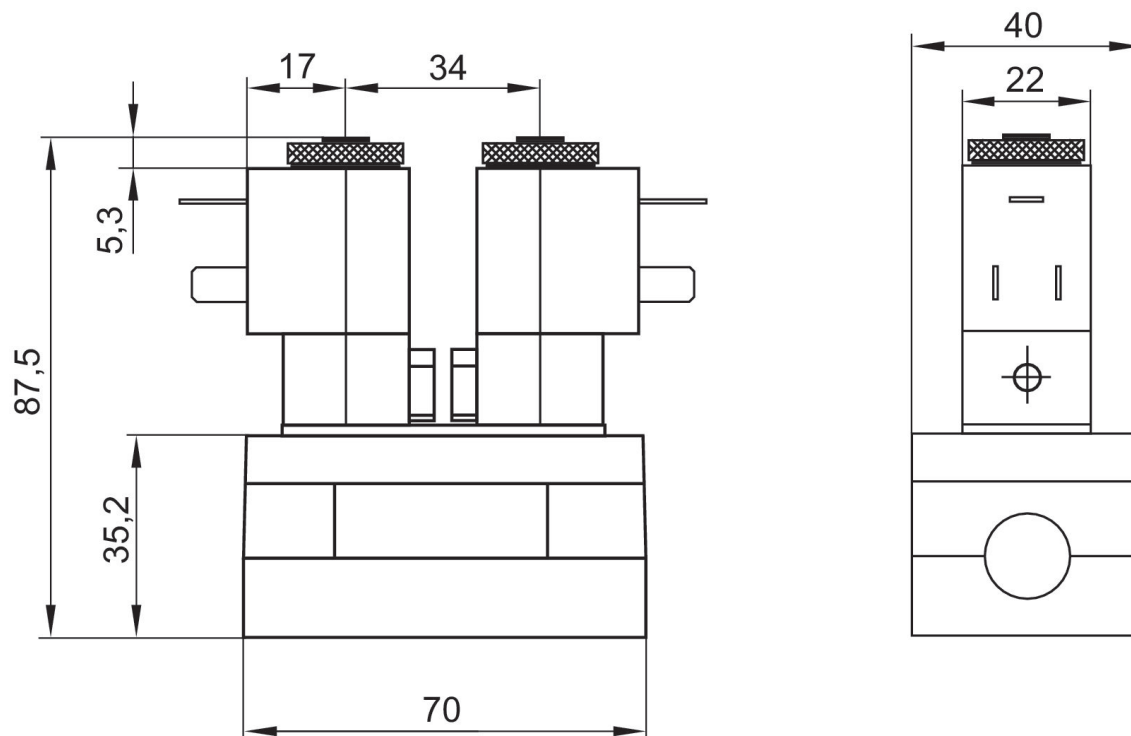
1100 l/min  
ISO 5599-1  
Plug  
Form B, industry  
Base plate connection  
Internal thread  
Electrically  
Base plate ISO 5599-1  
Base plate ISO 5599-1



	Min. working pressure [bar]	Max. working pressure [bar]	Operational voltage	Operational voltage	Operational voltage	Voltage tolerance DC	Power consumption DC [W]	Pilot	Throttle	Manual override	Part No.
Exhausted Center	3	10	12 V			-10% / +10%	5	Internal		with de- tent	5811520500
Exhausted Center	3	10		24 V				Internal		with de- tent	5811520200
Exhausted Center	3	10	24 V			-10% / +10%	5	Internal		with de- tent	5811520100
Exhausted Center	3	10	48 V			-10% / +10%	5	Internal		with de- tent	5811520600
Exhausted Center	3	10			110 V			Internal		with de- tent	5811520300
Exhausted Center	3	10		230 V				Internal		with de- tent	5811520400
Exhausted Center	3	10						Internal		with de- tent	5811520000
Exhausted Center	3	10	12 V			-10% / +10%	5	Internal	with throt- tle	with de- tent	5811521500
Exhausted Center	3	10		24 V				Internal	with throt- tle	with de- tent	5811521200
Exhausted Center	3	10	24 V			-10% / +10%	5	Internal	with throt- tle	with de- tent	5811521100
Exhausted Center	3	10	48 V			-10% / +10%	5	Internal	with throt- tle	with de- tent	5811521600
Exhausted Center	3	10			110 V			Internal	with throt- tle	with de- tent	5811521300
Exhausted Center	3	10		230 V				Internal	with throt- tle	with de- tent	5811521400
Exhausted Center	3	10						Internal	with throt- tle	with de- tent	5811521000
Exhausted Center	-0.95	10	12 V			-10% / +10%	5	External		with de- tent	5811522500
Exhausted Center	-0.95	10		24 V				External		with de- tent	5811522200
Exhausted Center	-0.95	10	24 V			-10% / +10%	5	External		with de- tent	5811522100
Exhausted Center	-0.95	10	48 V			-10% / +10%	5	External		with de- tent	5811522600

	Min. working pressure [bar]	Max. working pressure [bar]	Operational voltage	Operational voltage	Operational voltage	Voltage tolerance DC	Power consumption DC [W]	Pilot	Throttle	Manual override	Part No.
Exhausted Center	-0.95	10			110 V			External		with de- tent	5811522300
Exhausted Center	-0.95	10		230 V				External		with de- tent	5811522400
Exhausted Center	-0.95	10						External		with de- tent	5811522000
Exhausted Center	-0.95	10	12 V			-10% / +10%	5	External	with throt- tle	with de- tent	5811523500
Exhausted Center	-0.95	10		24 V				External	with throt- tle	with de- tent	5811523200
Exhausted Center	-0.95	10	24 V			-10% / +10%	5	External	with throt- tle	with de- tent	5811523100
Exhausted Center	-0.95	10	48 V			-10% / +10%	5	External	with throt- tle	with de- tent	5811523600
Exhausted Center	-0.95	10			110 V			External	with throt- tle	with de- tent	5811523300
Exhausted Center	-0.95	10		230 V				External	with throt- tle	with de- tent	5811523400
Exhausted Center	-0.95	10						External	with throt- tle	with de- tent	5811523000

Dimensions



The pilot valves can be loosened and turned through 180°.

**5/3-directional valve, Series 581, size 1**

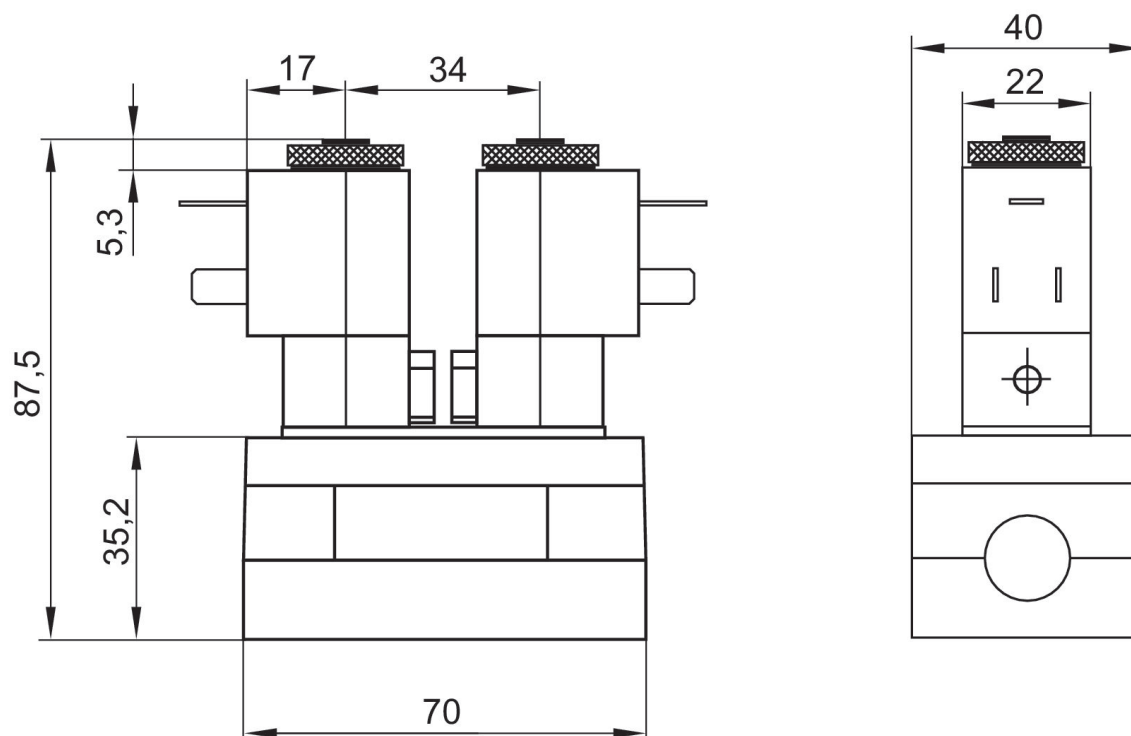
1100 l/min  
ISO 5599-1  
Plug  
Form B, industry  
Base plate connection  
Internal thread  
Electrically  
Base plate ISO 5599-1  
Base plate ISO 5599-1



	Min. working pressure [bar]	Max. working pressure [bar]	Operational voltage	Operational voltage	Operational voltage	Voltage tolerance DC	Power consumption DC [W]	Pilot	Throttle	Manual override	Part No.
Closed Center	3	10	12 V			-10% / +10%	5	Internal		with de- tent	5811420500
Closed Center	3	10		24 V				Internal		with de- tent	5811420200
Closed Center	3	10	24 V			-10% / +10%	5	Internal		with de- tent	5811420100
Closed Center	3	10	48 V			-10% / +10%	5	Internal		with de- tent	5811420600
Closed Center	3	10			110 V			Internal		with de- tent	5811420300
Closed Center	3	10		230 V				Internal		with de- tent	5811420400
Closed Center	3	10						Internal		with de- tent	5811420000
Closed Center	3	10	12 V			-10% / +10%	5	Internal	with throt- tle	with de- tent	5811421500
Closed Center	3	10		24 V				Internal	with throt- tle	with de- tent	5811421200
Closed Center	3	10	24 V			-10% / +10%	5	Internal	with throt- tle	with de- tent	5811421100
Closed Center	3	10	48 V			-10% / +10%	5	Internal	with throt- tle	with de- tent	5811421600
Closed Center	3	10			110 V			Internal	with throt- tle	with de- tent	5811421300
Closed Center	3	10		230 V				Internal	with throt- tle	with de- tent	5811421400
Closed Center	3	10						Internal	with throt- tle	with de- tent	5811421000
Closed Center	-0.95	10	12 V			-10% / +10%	5	External		with de- tent	5811422500
Closed Center	-0.95	10		24 V				External		with de- tent	5811422200
Closed Center	-0.95	10	24 V			-10% / +10%	5	External		with de- tent	5811422100
Closed Center	-0.95	10	48 V			-10% / +10%	5	External		with de- tent	5811422600

	Min. working pressure [bar]	Max. working pressure [bar]	Operational voltage	Operational voltage	Operational voltage	Voltage tolerance DC	Power consumption DC [W]	Pilot	Throttle	Manual override	Part No.
Closed Center	-0.95	10			110 V			External		with de- tent	5811422300
Closed Center	-0.95	10		230 V				External		with de- tent	5811422400
Closed Center	-0.95	10						External		with de- tent	5811422000
Closed Center	-0.95	10	12 V			-10% / +10%	5	External	with throt- tle	with de- tent	5811423500
Closed Center	-0.95	10		24 V				External	with throt- tle	with de- tent	5811423200
Closed Center	-0.95	10	24 V			-10% / +10%	5	External	with throt- tle	with de- tent	5811423100
Closed Center	-0.95	10	48 V			-10% / +10%	5	External	with throt- tle	with de- tent	5811423600
Closed Center	-0.95	10			110 V			External	with throt- tle	with de- tent	5811423300
Closed Center	-0.95	10		230 V				External	with throt- tle	with de- tent	5811423400
Closed Center	-0.95	10						External	with throt- tle	with de- tent	5811423000

Dimensions



The pilot valves can be loosened and turned through 180°.

**5/3-directional valve, Series 581, size 1**

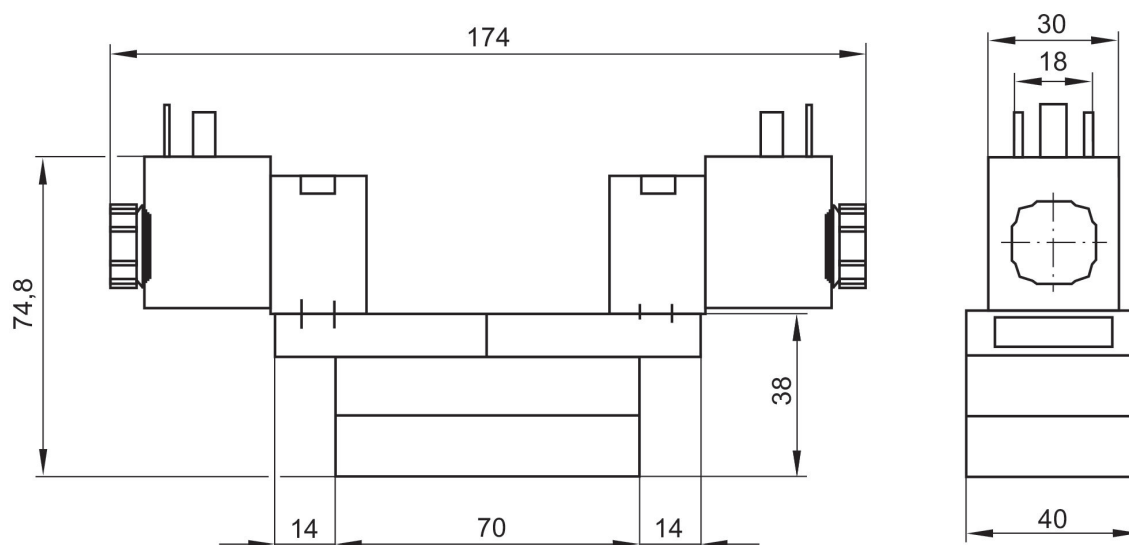
1100 l/min  
ISO 5599-1  
Plug  
EN 175301-803, form A  
Base plate connection  
Internal thread  
Electrically  
Base plate ISO 5599-1  
Base plate ISO 5599-1



	Min. working pressure [bar]	Max. working pressure [bar]	Operational voltage	Operational voltage	Voltage tolerance DC	Power consumption DC [W]	Pilot	Throttle	Manual override	Compatibility index	Part No.
Closed Center	3	10	24 V		-10% / +10%	2	Internal		with detent, without detent	14	5811490650
Closed Center	3	10		230 V			Internal		with detent, without detent	14	5811490450
Closed Center	3	10	24 V		-10% / +10%	2	Internal	with throttle	with detent, without detent	14	5811491650
Closed Center	3	10		230 V			Internal	with throttle	with detent, without detent	14	5811491450
Closed Center	-0.95	10	24 V		-10% / +10%	2	External		with detent, without detent	14	5811492650
Closed Center	-0.95	10		230 V			External		with detent, without detent	14	5811492450
Closed Center	-0.95	10	24 V		-10% / +10%	2	External	with throttle	with detent, without detent	14	5811493650
Closed Center	-0.95	10		230 V			External	with throttle	with detent, without detent	14	5811493450
Exhausted Center	3	10	24 V		-10% / +10%	2	Internal		with detent, without detent	14	5811590650
Exhausted Center	3	10		230 V			Internal		with detent, without detent	14	5811590450
Exhausted Center	3	10	24 V		-10% / +10%	2	Internal	with throttle	with detent, without detent	14	5811591650
Exhausted Center	3	10		230 V			Internal	with throttle	with detent, without detent	14	5811591450
Exhausted Center	-0.95	10	24 V		-10% / +10%	2	External		with detent, without detent	14	5811592650

	Min. working pressure [bar]	Max. working pressure [bar]	Operational voltage	Operational voltage	Voltage tolerance DC	Power consumption DC [W]	Pilot	Throttle	Manual override	Compatibility index	Part No.
Exhausted Center	-0.95	10		230 V			External		with detent, without detent	14	5811592450
Exhausted Center	-0.95	10	24 V		-10% / +10%	2	External	with throttle	with detent, without detent	14	5811593650
Exhausted Center	-0.95	10		230 V			External	with throttle	with detent, without detent	14	5811593450
Pressurized Center	3	10	24 V		-10% / +10%	2	Internal		with detent, without detent	14	5811790650
Pressurized Center	3	10		230 V			Internal		with detent, without detent	14	5811790450
Pressurized Center	3	10	24 V		-10% / +10%	2	Internal	with throttle	with detent, without detent	14	5811791650
Pressurized Center	3	10		230 V			Internal	with throttle	with detent, without detent	14	5811791450
Pressurized Center	-0.95	10	24 V		-10% / +10%	2	External		with detent, without detent	14	5811792650
Pressurized Center	-0.95	10		230 V			External		with detent, without detent	14	5811792450
Pressurized Center	-0.95	10	24 V		-10% / +10%	2	External	with throttle	with detent, without detent	14	5811793650
Pressurized Center	-0.95	10		230 V			External	with throttle	with detent, without detent	14	5811793450

Dimensions





**5/3-directional valve, Series 581, size 1**

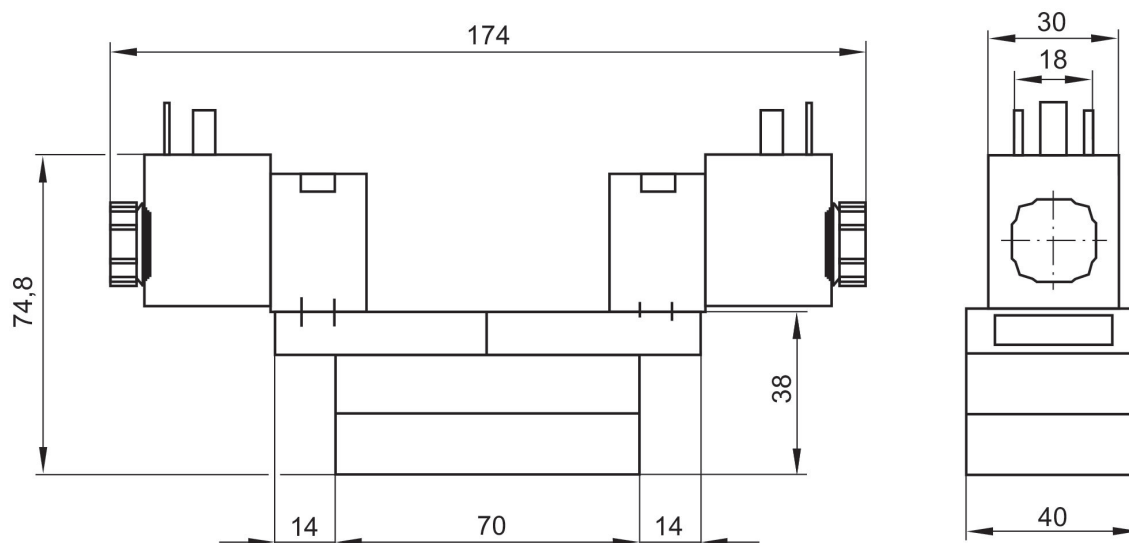
1100 l/min  
ISO 5599-1  
Plug  
EN 175301-803, form A  
Base plate connection  
Internal thread  
Electrically  
Base plate ISO 5599-1  
Base plate ISO 5599-1



	Min. working pressure [bar]	Max. working pressure [bar]	Operational voltage	Operational voltage	Voltage tolerance DC	Power consumption DC [W]	Pilot	Throttle	Manual override	Part No.
Closed Center	3	16	24 V	42 V	-10% / +10%	6.7	Internal		without detent	5811490540
Closed Center	3	16		230 V			Internal		without detent	5811490440
Closed Center	3	16	24 V	42 V	-10% / +10%	6.7	Internal	with throttle	without detent	5811491540
Closed Center	3	16		230 V			Internal	with throttle	without detent	5811491440
Closed Center	-0.95	16	24 V	42 V	-10% / +10%	6.7	External		without detent	5811492540
Closed Center	-0.95	16		230 V			External		without detent	5811492440
Closed Center	-0.95	16	24 V	42 V	-10% / +10%	6.7	External	with throttle	without detent	5811493540
Closed Center	-0.95	16		230 V			External	with throttle	without detent	5811493440
Exhausted Center	3	16	24 V	42 V	-10% / +10%	6.7	Internal		without detent	5811590540
Exhausted Center	3	16		230 V			Internal		without detent	5811590440
Exhausted Center	3	16	24 V	42 V	-10% / +10%	6.7	Internal	with throttle	without detent	5811591540
Exhausted Center	3	16		230 V			Internal	with throttle	without detent	5811591440
Exhausted Center	-0.95	16	24 V	42 V	-10% / +10%	6.7	External		without detent	5811592540
Exhausted Center	-0.95	16		230 V			External		without detent	5811592440
Exhausted Center	-0.95	16	24 V	42 V	-10% / +10%	6.7	External	with throttle	without detent	5811593540
Exhausted Center	-0.95	16		230 V			External	with throttle	without detent	5811593440
Pressurized Center	3	16	24 V	42 V	-10% / +10%	6.7	Internal		without detent	5811790540

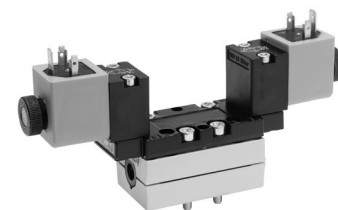
	Min. working pressure [bar]	Max. working pressure [bar]	Operational voltage	Operational voltage	Voltage tolerance DC	Power consumption DC [W]	Pilot	Throttle	Manual override	Part No.
Pressurized Center	3	16		230 V			Internal		without detent	5811790440
Pressurized Center	3	16	24 V	42 V	-10% / +10%	6.7	Internal	with throttle	without detent	5811791540
Pressurized Center	3	16		230 V			Internal	with throttle	without detent	5811791440
Pressurized Center	-0.95	16	24 V	42 V	-10% / +10%	6.7	External		without detent	5811792540
Pressurized Center	-0.95	16		230 V			External		without detent	5811792440
Pressurized Center	-0.95	16	24 V	42 V	-10% / +10%	6.7	External	with throttle	without detent	5811793540
Pressurized Center	-0.95	16		230 V			External	with throttle	without detent	5811793440

Dimensions



**5/3-directional valve, Series 581, size 1**

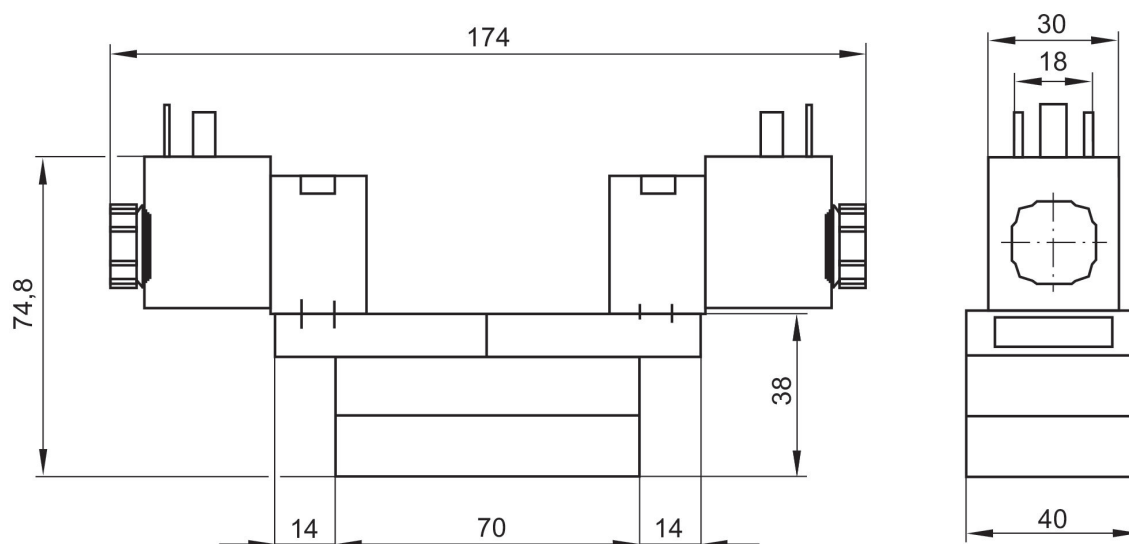
1100 l/min  
ISO 5599-1  
Plug  
EN 175301-803, form A  
Base plate connection  
Internal thread  
Electrically  
Base plate ISO 5599-1  
Base plate ISO 5599-1



	Min. working pressure [bar]	Max. working pressure [bar]	Operational voltage	Operational voltage	Voltage tolerance DC	Power consumption DC [W]	Pilot	Throttle	Manual override	Part No.
Closed Center	3	16	24 V		-10% / +10%	6.7	Internal		without	5811490530
Closed Center	3	16		230 V			Internal		without	5811490430
Closed Center	3	16	24 V		-10% / +10%	6.7	Internal	with throttle	without	5811491530
Closed Center	3	16		230 V			Internal	with throttle	without	5811491430
Closed Center	-0.95	16	24 V		-10% / +10%	6.7	External		without	5811492530
Closed Center	-0.95	16		230 V			External		without	5811492430
Closed Center	-0.95	16	24 V		-10% / +10%	6.7	External	with throttle	without	5811493530
Closed Center	-0.95	16		230 V			External	with throttle	without	5811493430
Exhausted Center	3	16	24 V		-10% / +10%	6.7	Internal		without	5811590530
Exhausted Center	3	16		230 V			Internal		without	5811590430
Exhausted Center	3	16	24 V		-10% / +10%	6.7	Internal	with throttle	without	5811591530
Exhausted Center	3	16		230 V			Internal	with throttle	without	5811591430
Exhausted Center	-0.95	16	24 V		-10% / +10%	6.7	External		without	5811592530
Exhausted Center	-0.95	16		230 V			External		without	5811592430
Exhausted Center	-0.95	16		230 V			External	with throttle	without	5811593430
Pressurized Center	3	16	24 V		-10% / +10%	6.7	Internal		without	5811790530
Pressurized Center	3	16		230 V			Internal		without	5811790430
Pressurized Center	3	16	24 V		-10% / +10%	6.7	Internal	with throttle	without	5811791530

	Min. working pressure [bar]	Max. working pressure [bar]	Operational voltage	Operational voltage	Voltage tolerance DC	Power consumption DC [W]	Pilot	Throttle	Manual override	Part No.
Pressurized Center	3	16		230 V			Internal	with throttle	without	5811791430
Pressurized Center	-0.95	16	24 V		-10% / +10%	6.7	External		without	5811792530
Pressurized Center	-0.95	16		230 V			External		without	5811792430
Pressurized Center	-0.95	16	24 V		-10% / +10%	6.7	External	with throttle	without	5811793530
Pressurized Center	-0.95	16		230 V			External	with throttle	without	5811793430

Dimensions



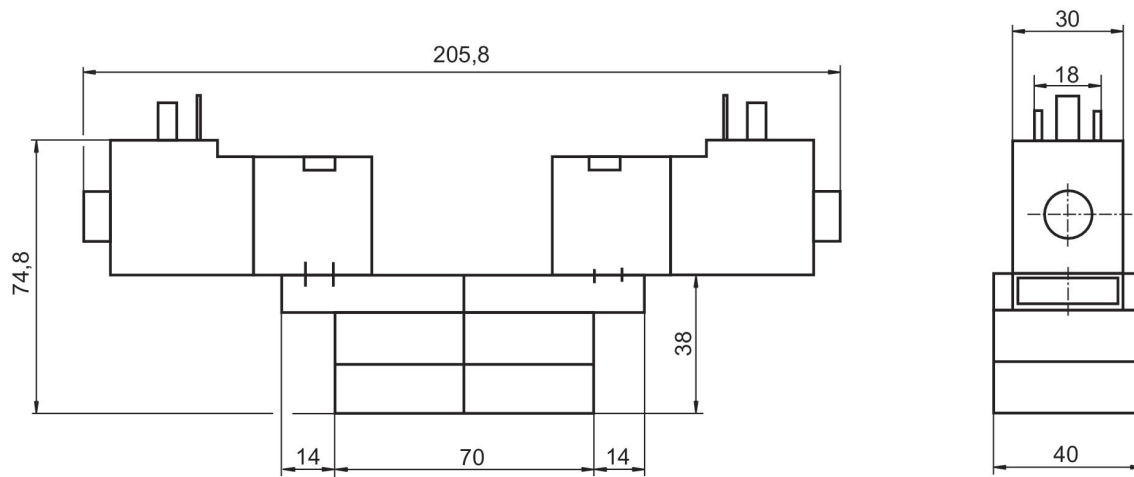
**5/3-directional valve, Series 581, size 1**

1100 l/min  
ISO 5599-1  
Plug  
EN 175301-803, form A  
Base plate connection  
Internal thread  
Electrically  
Base plate ISO 5599-1  
Base plate ISO 5599-1



	Min. working pressure [bar]	Max. working pressure [bar]	Operational voltage	Voltage tolerance DC	Power consumption DC [W]	Pilot	Throttle	Manual override	Part No.
Closed Center	3	10	24 V	-10% / +10%	6	Internal		without detent	5811490190
Closed Center	3	10	24 V	-10% / +10%	6	Internal	with throttle	without detent	5811491190
Closed Center	-0.95	10	24 V	-10% / +10%	6	External		without detent	5811492190
Closed Center	-0.95	10	24 V	-10% / +10%	6	External	with throttle	without detent	5811493190
Exhausted Center	3	10	24 V	-10% / +10%	6	Internal		without detent	5811590190
Exhausted Center	3	10	24 V	-10% / +10%	6	Internal	with throttle	without detent	5811591190
Exhausted Center	-0.95	10	24 V	-10% / +10%	6	External		without detent	5811592190
Exhausted Center	-0.95	10	24 V	-10% / +10%	6	External	with throttle	without detent	5811593190
Pressurized Center	3	10	24 V	-10% / +10%	6	Internal		without detent	5811790190
Pressurized Center	3	10	24 V	-10% / +10%	6	Internal	with throttle	without detent	5811791190
Pressurized Center	-0.95	10	24 V	-10% / +10%	6	External		without detent	5811792190
Pressurized Center	-0.95	10	24 V	-10% / +10%	6	External	with throttle	without detent	5811793190

Dimensions



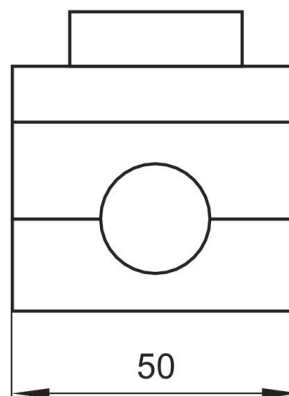
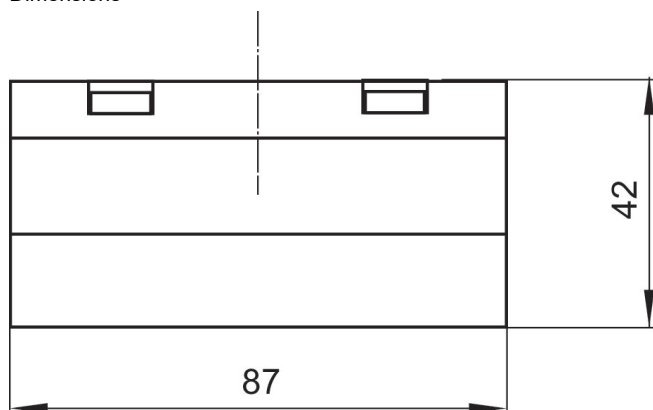
**5/3-directional valve, Series 581, size 1**

1100 l/min  
ISO 5599-1  
Base plate connection  
Electrically  
Basic valve without pilot valve  
Base plate ISO 5599-1  
Base plate ISO 5599-1



	Min. working pressure [bar]	Max. working pressure [bar]	Pilot	Throttle	Part No.
Closed Center	-0.95	16	External, Internal		5811480000
Closed Center	-0.95	16	External, Internal	with throttle	5811481000
Exhausted Center	-0.95	16	External, Internal		5811580000
Exhausted Center	-0.95	16	External, Internal	with throttle	5811581000
Pressurized Center	-0.95	16	External, Internal		5811780000
Pressurized Center	-0.95	16	External, Internal	with throttle	5811781000

Dimensions



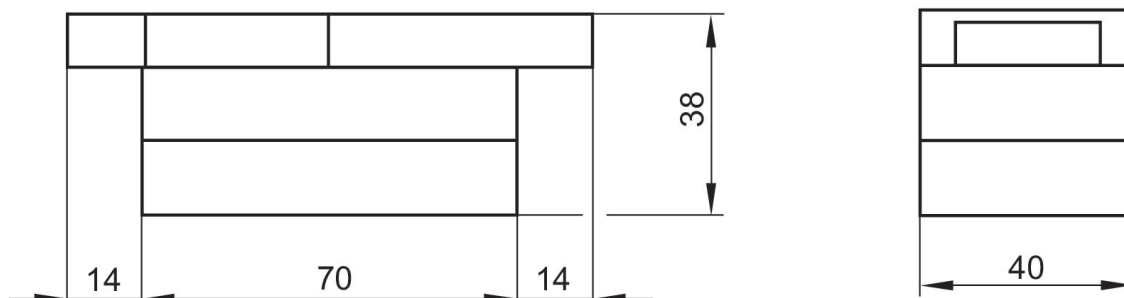
**5/3-directional valve, Series 581, size 1**

1100 l/min  
 Double Solenoid  
 ISO 5599-1  
 Base plate connection  
 Electrically  
 Basic valve without pilot valve  
 Base plate ISO 5599-1  
 Base plate ISO 5599-1



	Min. working pressure [bar]	Max. working pressure [bar]	Pilot	Part No.
Closed Center	-0.95	10	External, Internal	5811480080
Exhausted Center	-0.95	10	External, Internal	5811580080
Pressurized Center	-0.95	10	External, Internal	5811780080

Dimensions





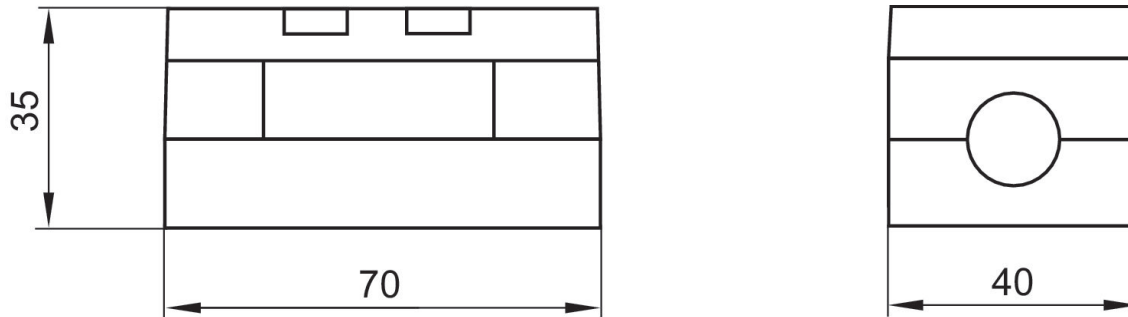
**2x3/2-directional valve, Series 581, size 1**

950 l/min  
ISO 5599-1  
Base plate connection  
Pneumatically  
Base plate ISO 5599-1  
Base plate ISO 5599-1  
NC/NC



	Min. working pressure [bar]	Max. working pressure [bar]	Part No.
NC/NC	0	8	R402003708

Dimensions



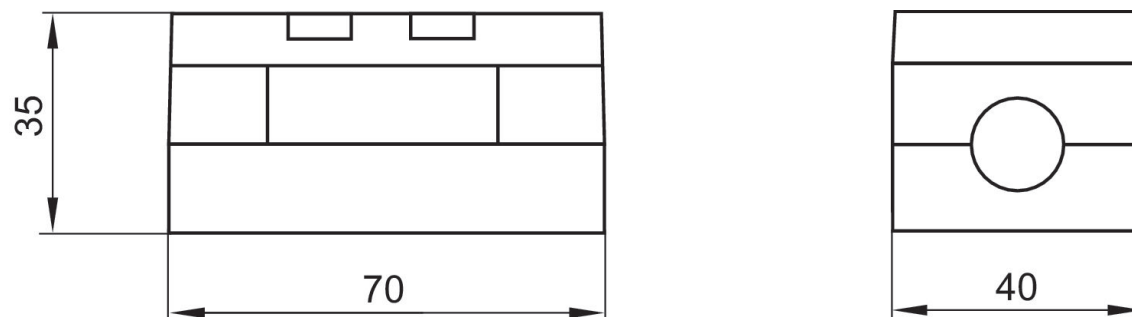
**2x3/2-directional valve, Series 581, size 1**

950 l/min  
ISO 5599-1  
Base plate connection  
Pneumatically  
Base plate ISO 5599-1  
Base plate ISO 5599-1  
NC/NC



	Min. working pressure [bar]	Max. working pressure [bar]	Part No.
NC/NC	0	8	5811830100

Dimensions



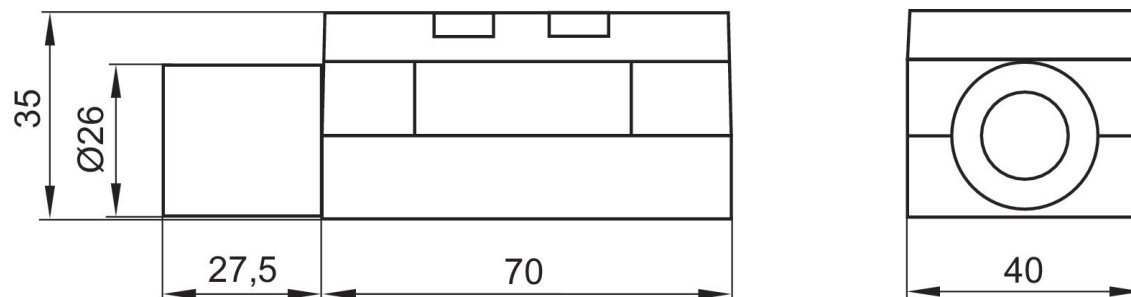
**5/2-directional valve, Series 581, size 1**

1400 l/min  
ISO 5599-1  
Base plate connection  
Pneumatically  
Base plate ISO 5599-1  
Base plate ISO 5599-1



Min. working pressure [bar]	Max. working pressure [bar]	Throttle	Part No.
-0.95	16		5811630000
-0.95	16	with throttle	5811631000

Dimensions



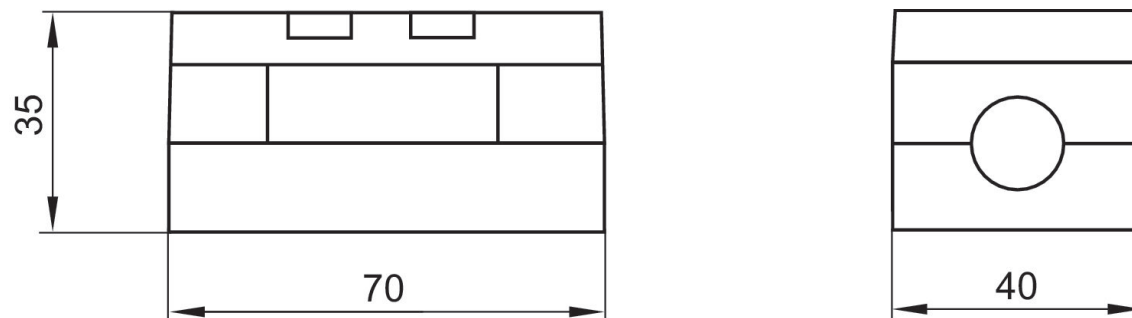
**5/2-directional valve, Series 581, size 1**

1400 l/min  
Double Air Pilot  
ISO 5599-1  
Base plate connection  
Pneumatically  
Base plate ISO 5599-1  
Base plate ISO 5599-1



Min. working pressure [bar]	Max. working pressure [bar]	Throttle	Part No.
-0.95	16		5811230000
-0.95	16	with throttle	5811231000

Dimensions



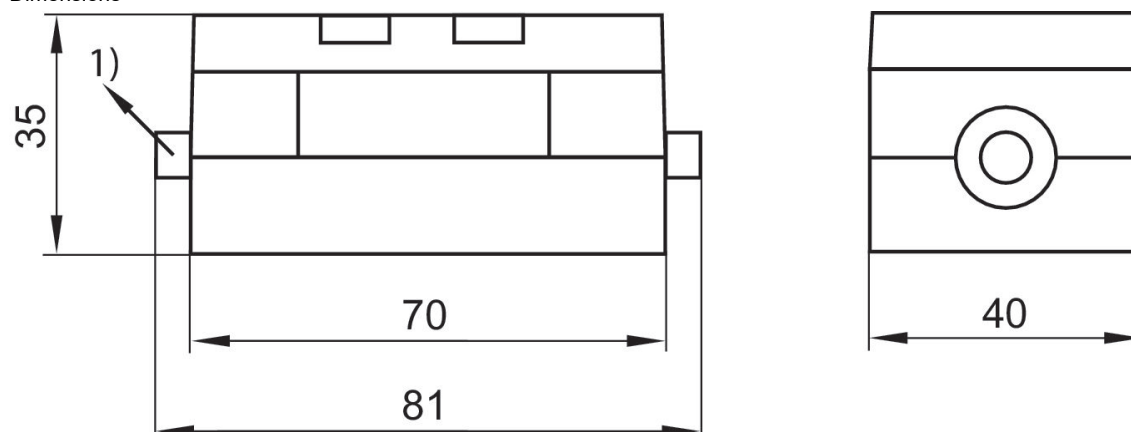
**5/2-directional valve, Series 581, size 1**

1400 l/min  
Double Air Pilot  
ISO 5599-1  
Base plate connection  
Pneumatically  
Base plate ISO 5599-1  
Base plate ISO 5599-1



Min. working pressure [bar]	Max. working pressure [bar]	Throttle	Manual override	Part No.
-0.95	16		without detent	5811330000
-0.95	16	with throttle	without detent	5811331000

Dimensions



1) With manual override

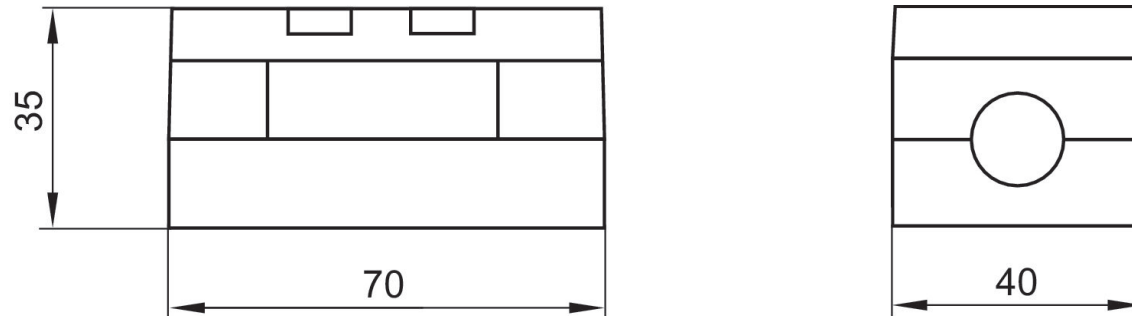
**5/2-directional valve, Series 581, size 1**

1400 l/min  
ISO 5599-1  
Base plate connection  
Pneumatically  
Base plate ISO 5599-1  
Base plate ISO 5599-1



Min. working pressure [bar]	Max. working pressure [bar]	Throttle	Part No.
-0.95	16		5811130000
-0.95	16	with throttle	5811131000

Dimensions



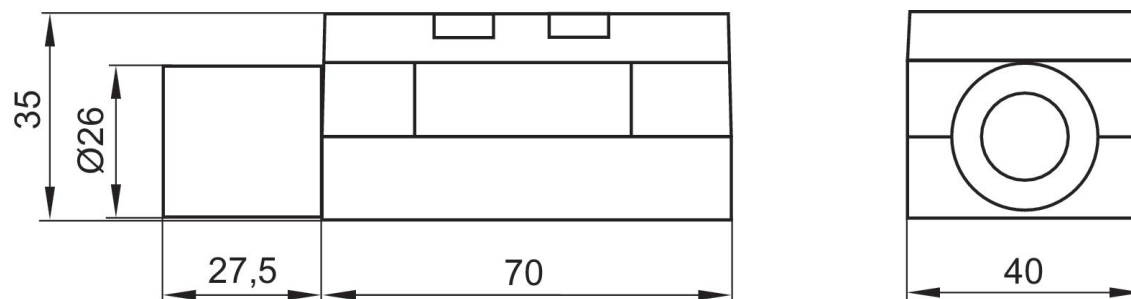
**5/2-directional valve, Series 581, size 1**

1400 l/min  
ISO 5599-1  
Base plate connection  
Pneumatically  
Base plate ISO 5599-1  
Base plate ISO 5599-1



Min. working pressure [bar]	Max. working pressure [bar]	Part No.
-0.95	16	5811630100

Dimensions



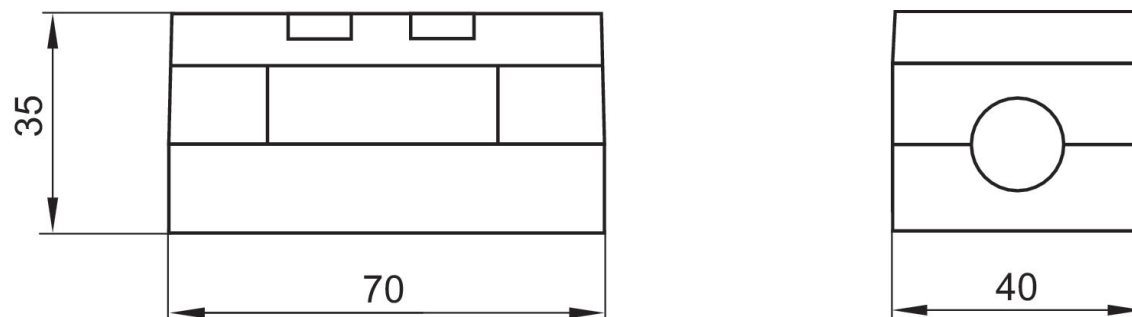
**5/2-directional valve, Series 581, size 1**

1400 l/min  
Double Air Pilot  
ISO 5599-1  
Base plate connection  
Pneumatically  
Base plate ISO 5599-1  
Base plate ISO 5599-1



Min. working pressure [bar]	Max. working pressure [bar]	Part No.
-0.95	16	5811230100

Dimensions





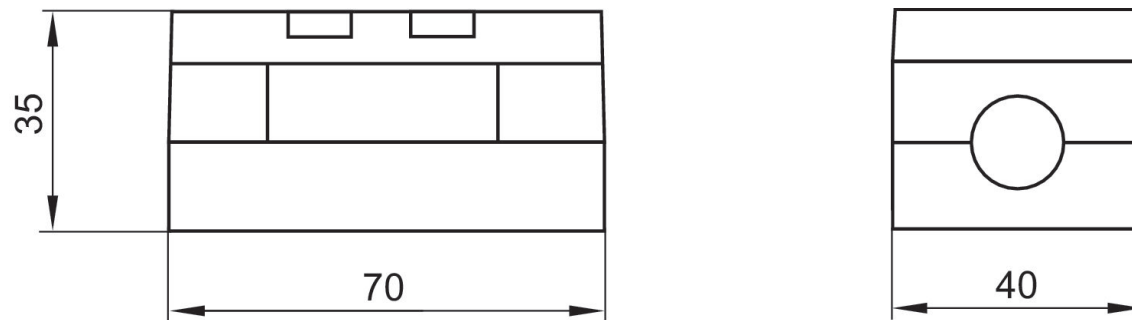
**5/2-directional valve, Series 581, size 1**

1400 l/min  
ISO 5599-1  
Base plate connection  
Pneumatically  
Base plate ISO 5599-1  
Base plate ISO 5599-1



Min. working pressure [bar]	Max. working pressure [bar]	Part No.
-0.95	16	5811330100

Dimensions



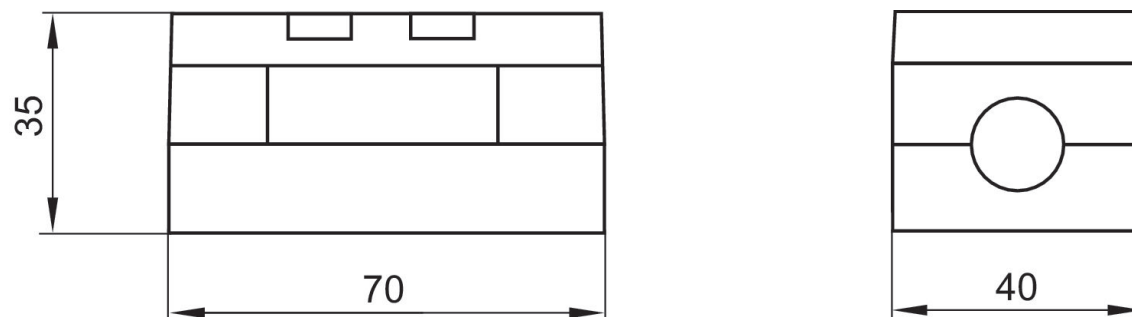
**5/2-directional valve, Series 581, size 1**

1400 l/min  
Single Solenoid  
ISO 5599-1  
Base plate connection  
Pneumatically  
Base plate ISO 5599-1  
Base plate ISO 5599-1



Min. working pressure [bar]	Max. working pressure [bar]	Part No.
-0.95	16	5811130100

Dimensions



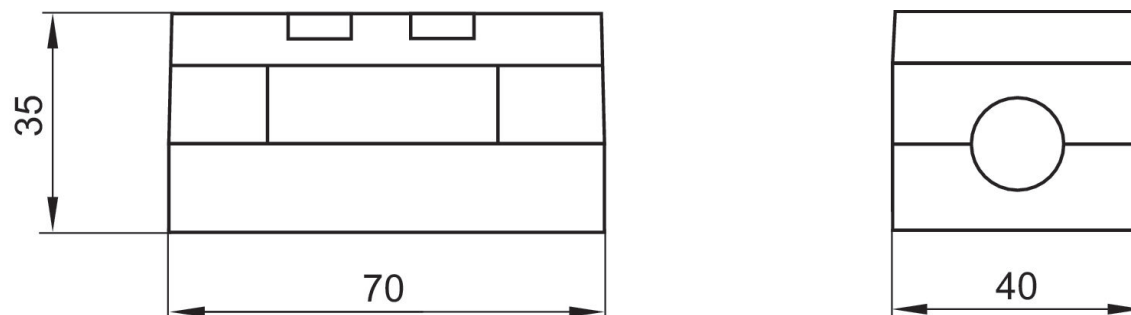
**5/3-directional valve, Series 581, size 1**

1100 l/min  
ISO 5599-1  
Base plate connection  
Pneumatically  
Base plate ISO 5599-1  
Base plate ISO 5599-1



	Min. working pressure [bar]	Max. working pressure [bar]	Throttle	Part No.
Closed Center	-0.95	16		5811430000
Closed Center	-0.95	16	with throttle	5811431000
Exhausted Center	-0.95	16		5811530000
Exhausted Center	-0.95	16	with throttle	5811531000
Pressurized Center	-0.95	16		5811730000
Pressurized Center	-0.95	16	with throttle	5811731000

Dimensions



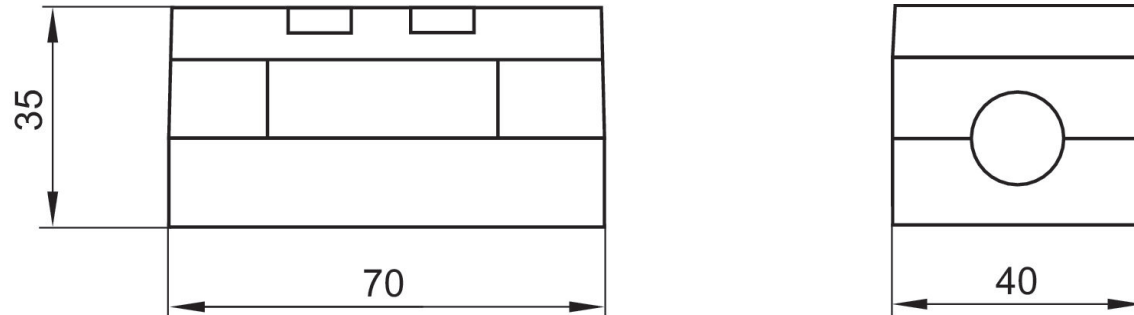
**5/3-directional valve, Series 581, size 1**

1100 l/min  
ISO 5599-1  
Base plate connection  
Pneumatically  
Base plate ISO 5599-1  
Base plate ISO 5599-1



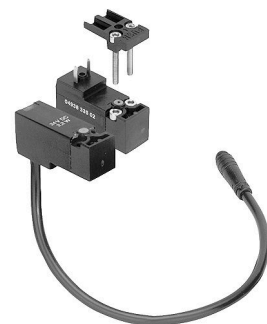
	Min. working pressure [bar]	Max. working pressure [bar]	Part No.
Closed Center	-0.95	16	5811430100
Exhausted Center	-0.95	16	5811530100
Pressurized Center	-0.95	16	5811730100

Dimensions



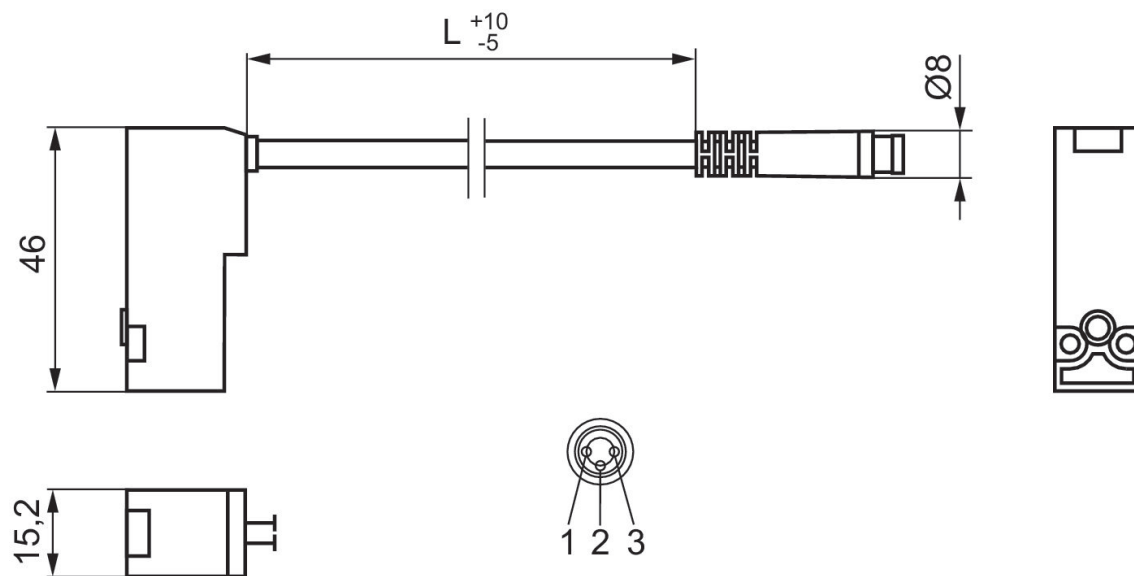
**Pilot valve**

Electrically



Min. working pressure [bar]	Max. working pressure [bar]	Operational voltage	Power consumption DC [W]	Manual override	Part No.
0	10	24 V	2.2	without detent	0493833308
0	10	24 V	2.2	without detent	0493832506
0	10	24 V	2.2	without detent	0493833103
0	10	24 V	2.2	without detent	0493838601

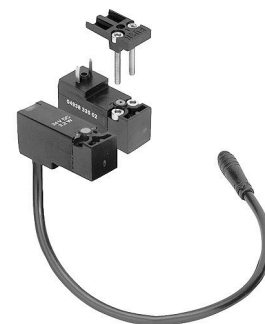
Dimensions



Pin assignment 1) +24 V 2) ground 3) 0 V

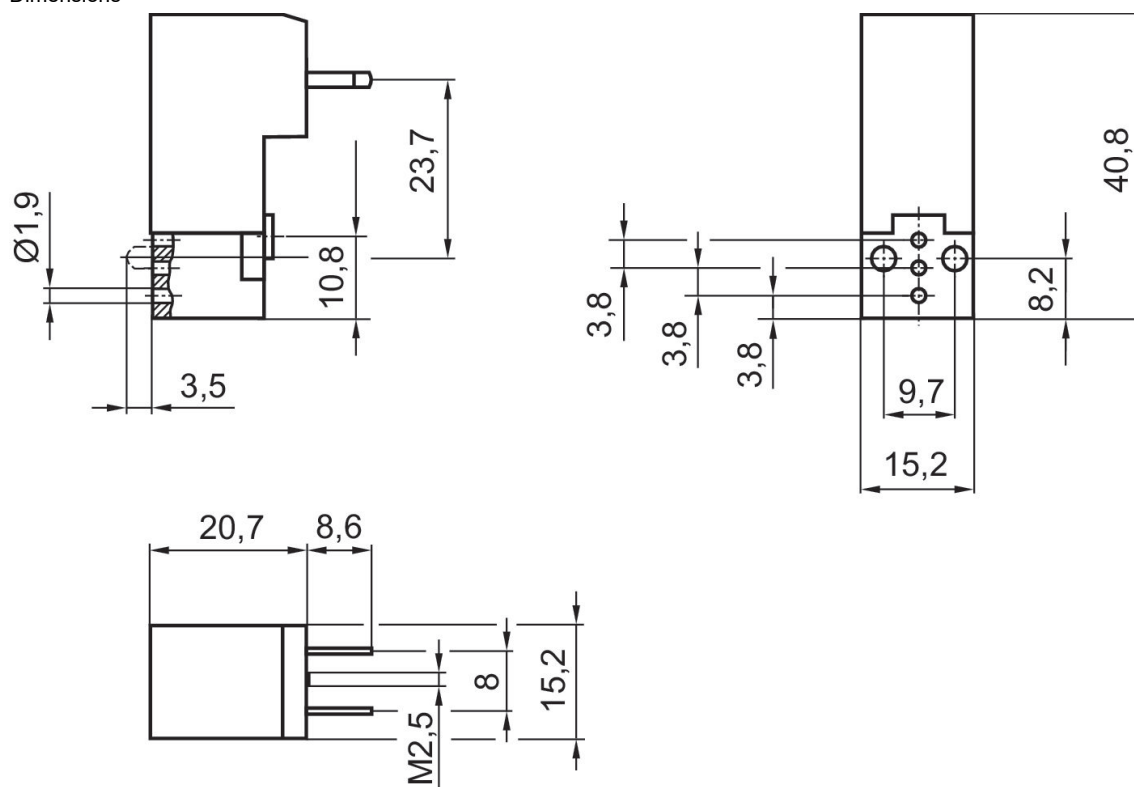
**Pilot valve**

Electrically



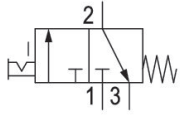
Min. working pressure [bar]	Max. working pressure [bar]	Operational voltage	Power consumption DC [W]	Manual override	Part No.
0	10	24 V	2	without detent	0493833502

Dimensions



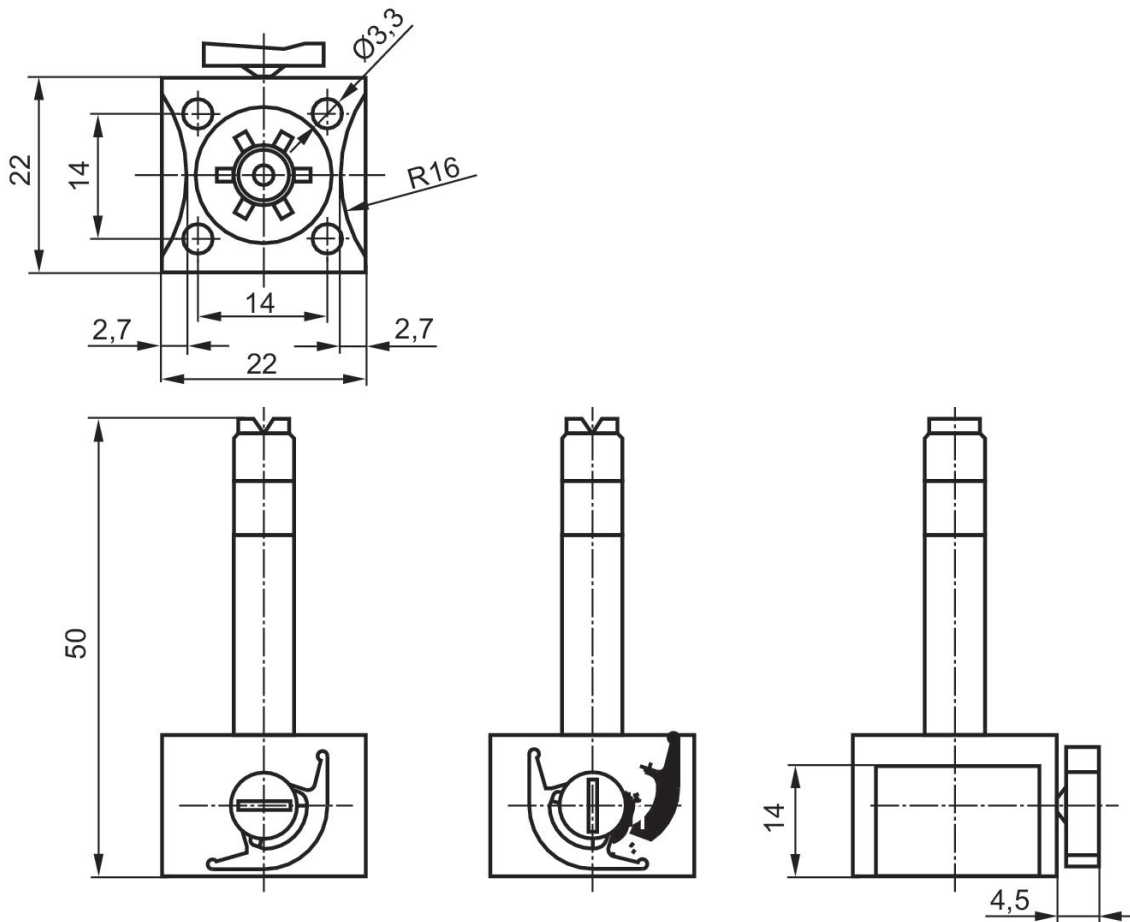
**Pilot valve**

Electrically



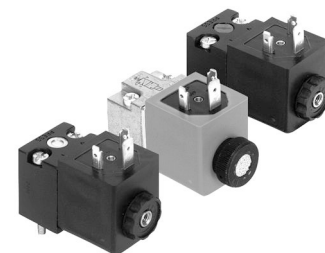
Min. working pressure [bar]	Max. working pressure [bar]	Operational voltage	Operational voltage	Operational voltage	Power consumption DC [W]	Manual override	Part No.
0	10	24 V	230 V	110 V	5	with detent	0493818805
0	10	24 V			2	with detent	0493818902

**Dimensions**



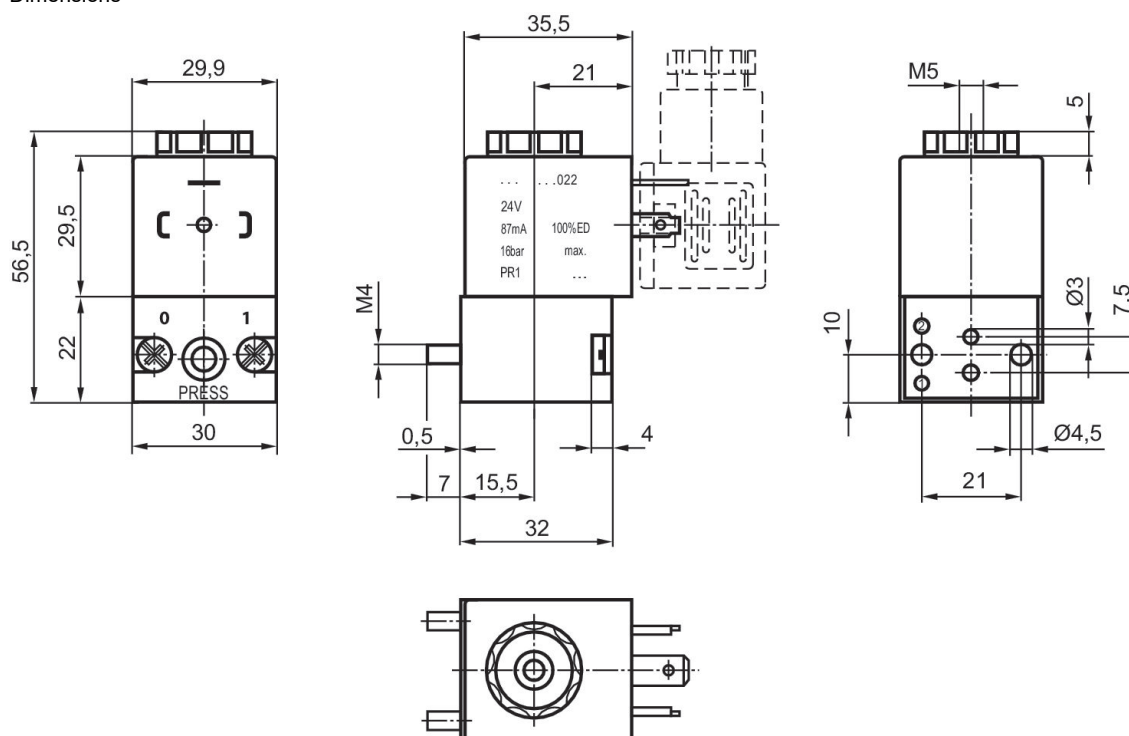
**Pilot valve**

CNOMO / NFE 49-003-1  
Electrically



Min. working pressure [bar]	Max. working pressure [bar]	Operational voltage	Operational voltage	Voltage tolerance DC	Power consumption DC [W]	Part No.
0	10		230 V			5428110080
0	10	24 V		-10% / +10%	2	5420890020
0	16	24 V		-10% / +10%	6.7	5420850020
0	16		230 V			5428150080
0	10	48 V		-10% / +10%	2	5420890030
0	10	110 V		-10% / +10%	2	5420890070
0	10	220 V		-10% / +10%	2	5420890080
0	10		24 V			5428110020
0	10		48 V			5428110040
0	10		110 V			5428110070

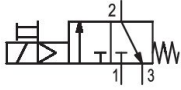
**Dimensions**





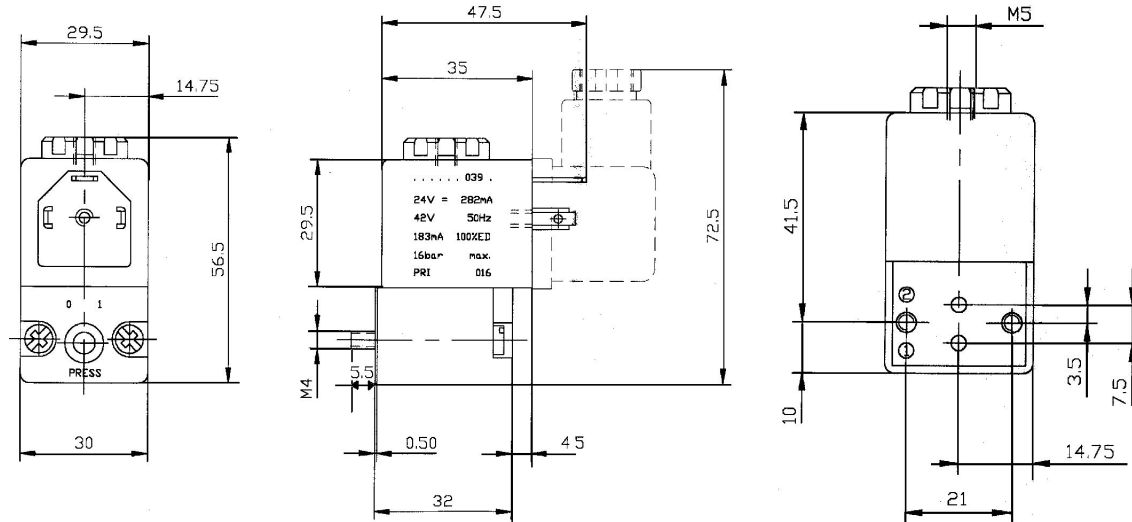
**3/2-directional valve**

Electrically



Operational voltage	Power consumption DC [W]	Manual override	Part No.
24 V DC	6.7	without detent	5420800390
230 V AC		without detent	5428200380
110 V AC		without detent	5428200370

**Dimensions**



**3/2-directional valve, Series DO30**

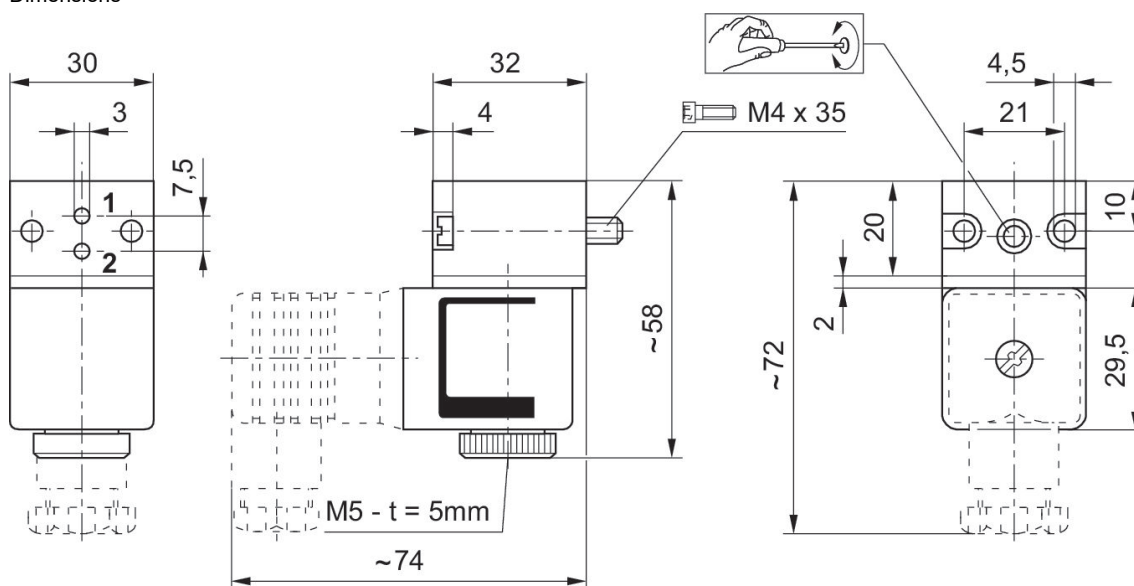
CNOMO / NFE 49-003-1  
Plug  
EN 175301-803, form A  
flange  
Internal thread  
Electrically



Valve function	Basic valve equipment	Switching principle	Compressed air connection	Operational voltage	Power consumption DC [W]	Manual override	Nominal flow Qn 1 to 2 [l/min]	Compatibility index	Part No.
NC		3/2, with spring return	CNOMO	24 V AC		without detent	68	15	0820019527
NC		3/2, with spring return	CNOMO	24 V DC	4.5	without detent	68	15	0820019526
NC		3/2, with spring return	CNOMO	24 V DC	2.7	without detent	54	14	0820019529
NC		3/2, with spring return	CNOMO	110 V AC		without detent	68	15	0820019528
NC		3/2, with spring return	CNOMO	230 V AC		without detent	68	15	0820019525
NC	Basic valve without coil	3/2, with spring return	CNOMO			without detent	68	15	0820019985
NC	Basic valve without coil	3/2, with spring return	CNOMO			without detent	54	14	0820019986
NC	Basic valve without coil	3/2, with spring return	CNOMO			without detent	72	15	0820019987
NC	Basic valve without coil	3/2, with spring return	CNOMO			with detent	72	15	0820019982
NC		3/2, with spring return	CNOMO	24 V AC		with detent	65	15	0820019502
NC		3/2, with spring return	CNOMO	24 V DC	4.5	with detent	65	15	0820019501
NC		3/2, with spring return	CNOMO	24 V DC	2.7	with detent	54	14	0820019504
NC		3/2, with spring return	CNOMO	110 V AC		with detent	65	15	0820019503

Valve function	Basic valve equipment	Switching principle	Compressed air connection	Operational voltage	Power consumption DC [W]	Manual override	Nominal flow Qn 1 to 2 [l/min]	Compatibility index	Part No.
NC		3/2, with spring return	CNOMO	230 V AC		with detent	65	15	0820019500
NC	Basic valve without coil	3/2, with spring return	CNOMO			with detent	65	15	0820019980
NC	Basic valve without coil	3/2, with spring return	CNOMO			with detent	54	14	0820019981

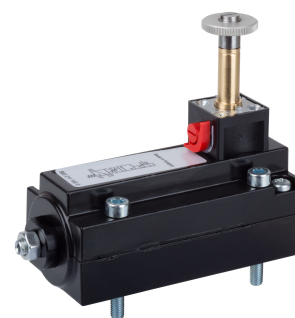
Dimensions



t = depth

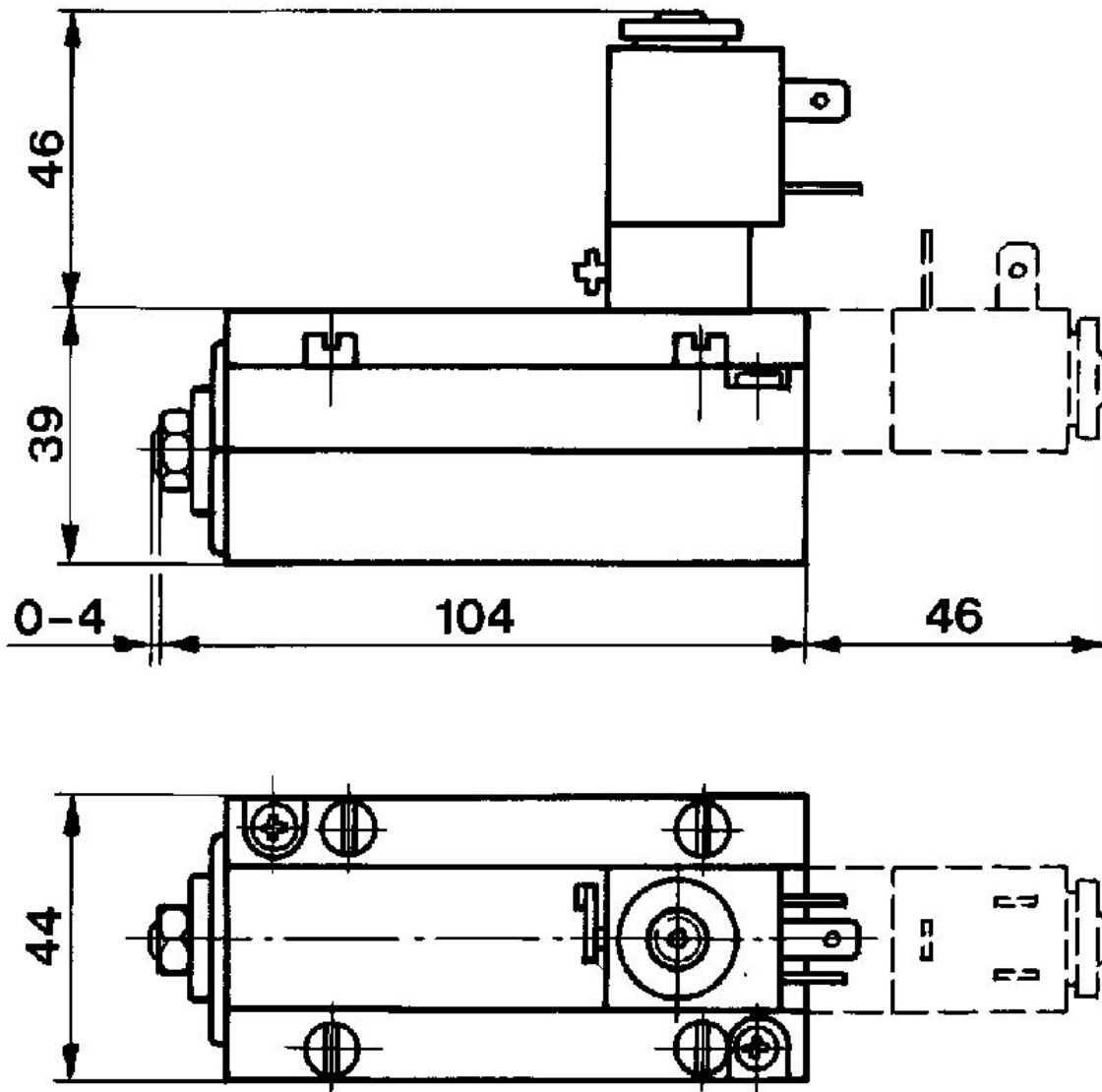
**Soft-start valve**

3300 l/min  
Electrically



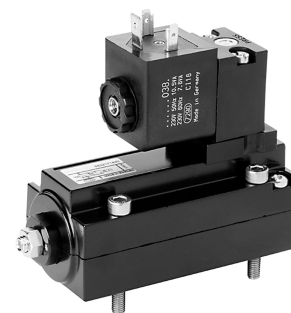
Min. working pressure [bar]	Max. working pressure [bar]	Operational voltage	Operational voltage	Operational voltage	Voltage tolerance DC	Power consumption DC [W]	Manual override	Part No.
3	10		24 V				with detent	5832111200
3	10		24 V				with detent	5832115200
3	10	24 V			-10% / +10%	2	with detent	5832151100
3	10	24 V			-10% / +10%	2	with detent	5832155100
3	10	24 V			-10% / +10%	5	with detent	5832111100
3	10	24 V			-10% / +10%	5	with detent	5832115100
3	10			110 V			with detent	5832111300
3	10			110 V			with detent	5832115300
3	10		230 V				with detent	5832111400
3	10		230 V				with detent	5832115400
3	10						with detent	5832111000
3	10						with detent	5832115000

Dimensions



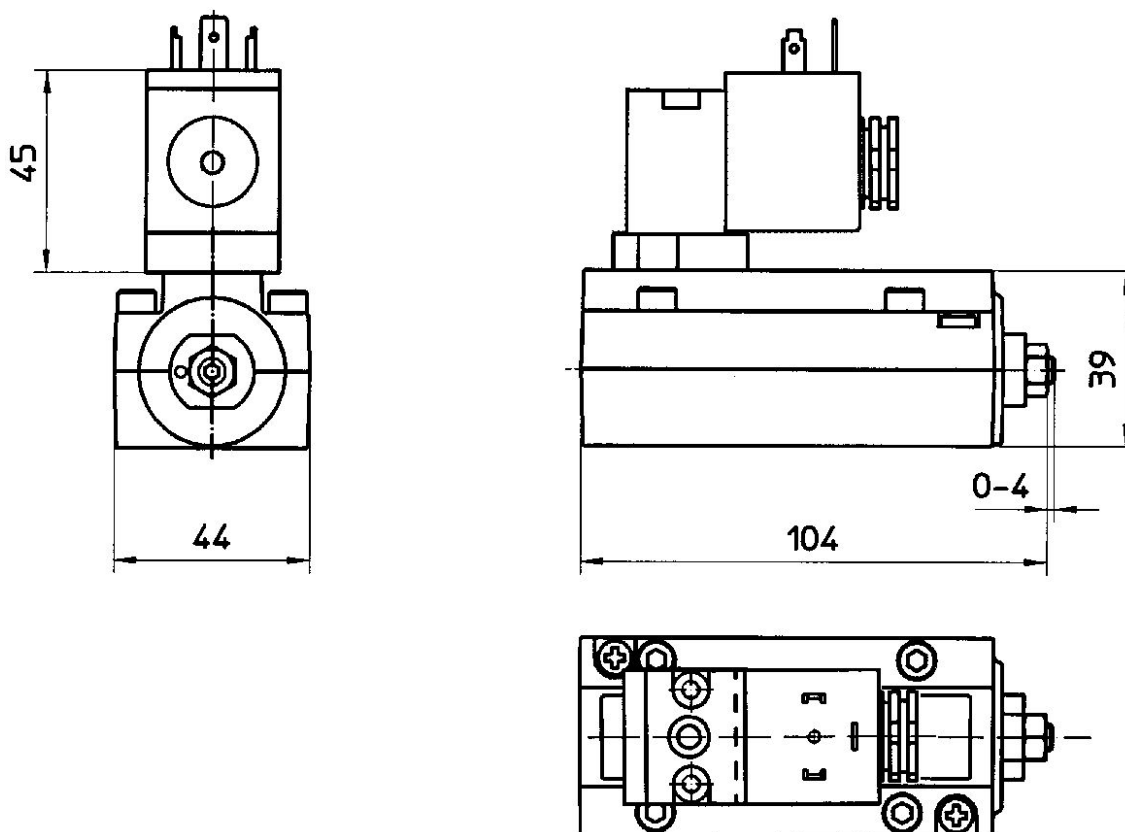
**Soft-start valve**

3300 l/min  
Electrically



Min. working pressure [bar]	Max. working pressure [bar]	Operational voltage	Operational voltage	Voltage tolerance DC	Power consumption DC [W]	Manual override	Part No.
3	10	24 V		-10% / +10%	6.7	without detent	5832171540
3	10		230 V			without detent	5832171440
3	10	24 V		-10% / +10%	2	with detent	5832171650
3	10		230 V			with detent	5832171450
3	10	24 V		-10% / +10%	6.7	without	5832171530
3	10		230 V			without	5832171430

Dimensions



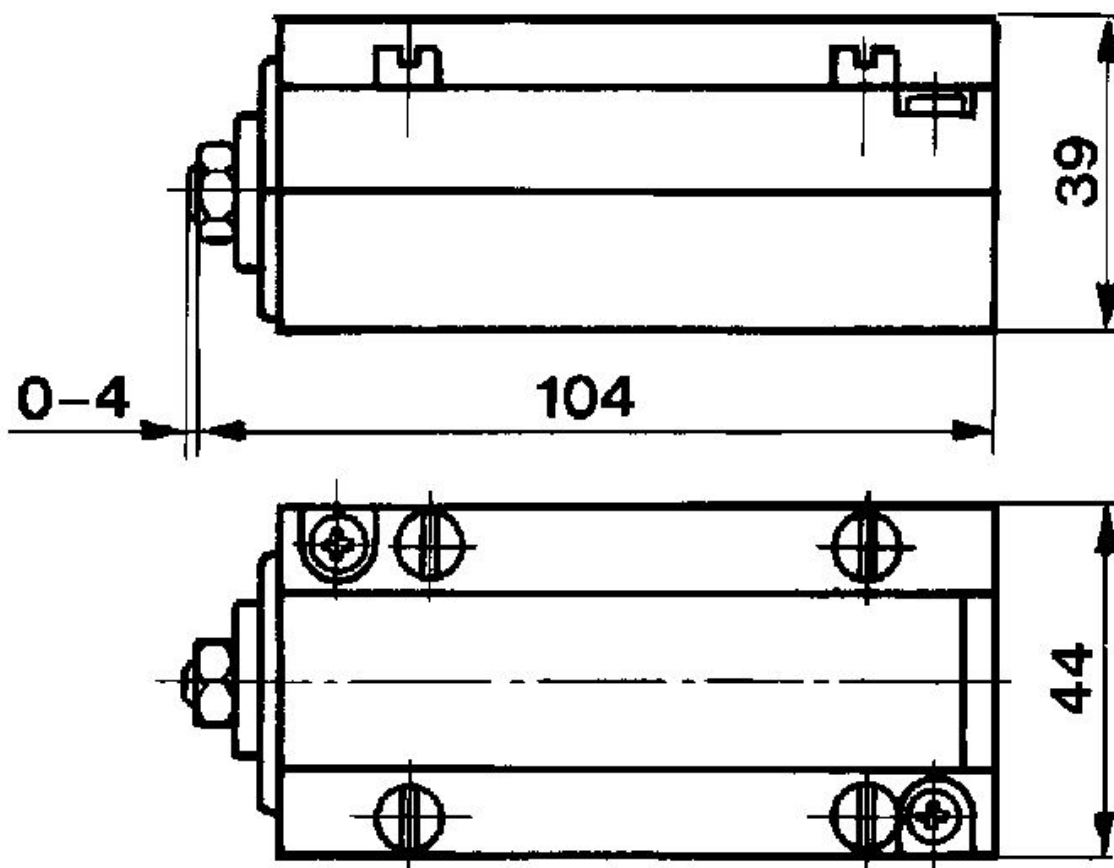
**Soft-start valve**

3300 l/min  
Pneumatically



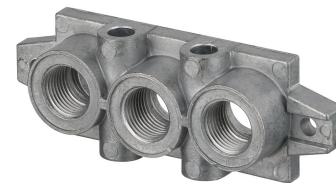
Min. working pressure [bar]	Max. working pressure [bar]	Part No.
3	10	5832131000

Dimensions

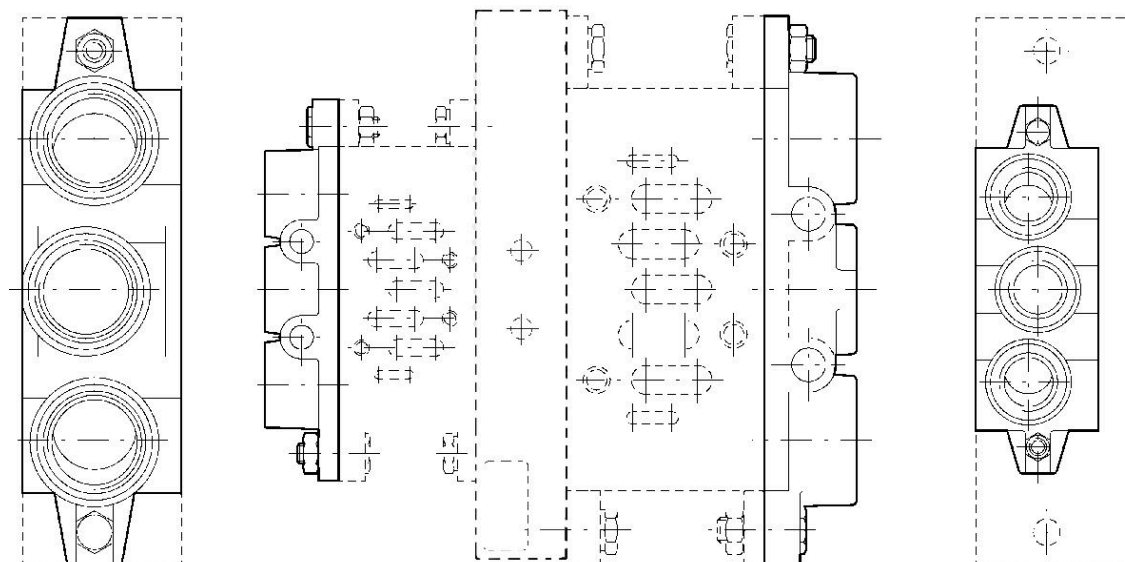


**End plates for adapter plate**

ISO 5599-1  
Internal thread



Frame size	Part No.
ISO 1, ISO 2	1825503244
ISO 1, ISO 3	1825503243
ISO 2, ISO 3	1825503245



	A	B	C	C1	D	D1	E1	E2	F2	G1
ISO 1	7	G 3/8	8	6	24	28	11	22	Ø 5,5	110
ISO 2	9	G 1/2	11	8	31,5	35	13	26	Ø 6,6	135
ISO 3	12	G 1	12	8	47	52	15	32	Ø 9	190

G2	H1	H2	H3	J	K	L	M	N	O	P
95	22	22	46	28	28	85	6	2	8	24
115	23	24	47	34	34	100	8	2	11	31,5
168	22	25	56	52	52	140	8	2,7	12	47

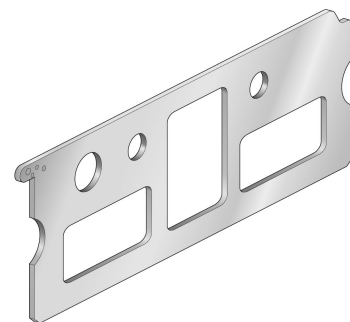
R
Ø 22,1



R
Ø 28,7
Ø 38

**Transition plate, Series 355, ISO 1**

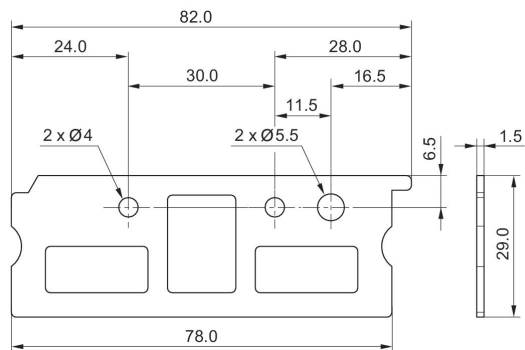
355



Type	Frame size	Part No.
Port 1, 3, 5 and 12 or 14 open	ISO 1	88135503

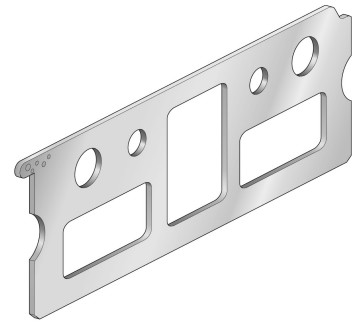
**88135503**

Dimensions



**Transition plate, Series 355, ISO 1**

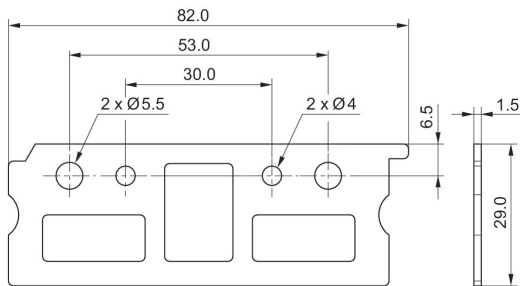
355



Type	Frame size	Part No.
Port 1, 3, 5, 12, 14 open	ISO 1	88135504

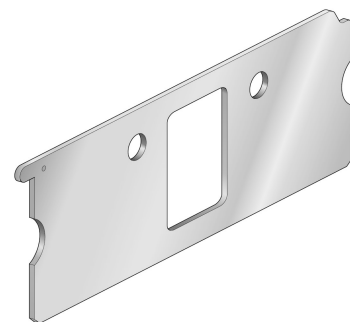
**88135504**

Dimensions



**Transition plate, Series 355, ISO 1**

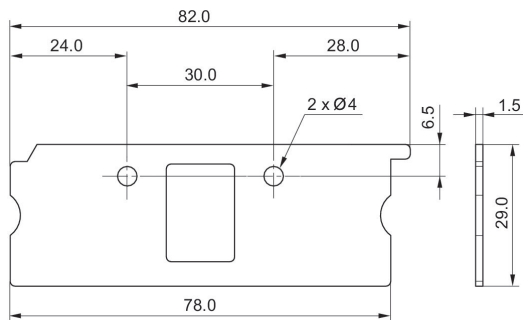
355



Type	Frame size	Part No.
Port 1 open	ISO 1	88135512

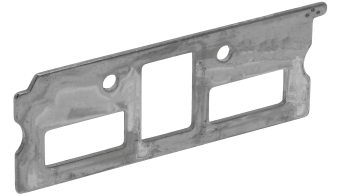
**88135512**

Dimensions



**Transition plate, Series 355, ISO 1**

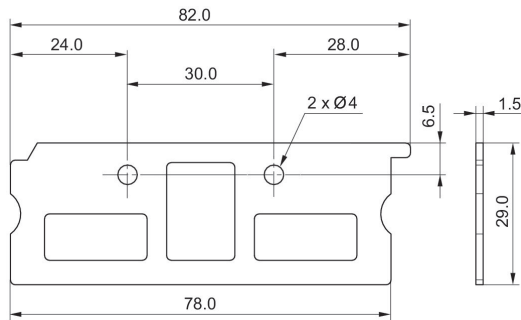
355



Type	Frame size	Part No.
Port 1, 3, 5 open	ISO 1	88135502

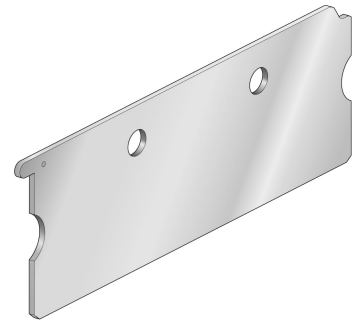
**88135502**

Dimensions



**Transition plate, Series 355, ISO 1**

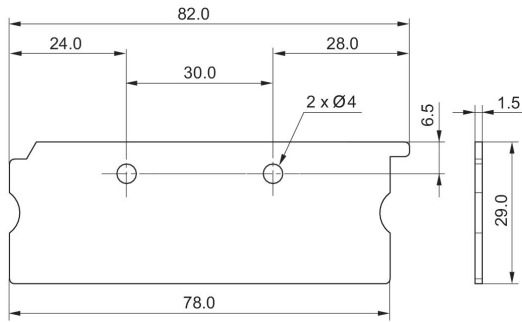
355



Type	Frame size	Part No.
Blanking plate	ISO 1	88135501

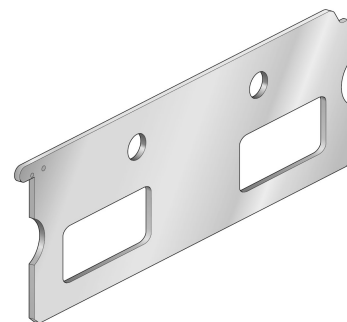
**88135501**

Dimensions



**Transition plate, Series 355, ISO 1**

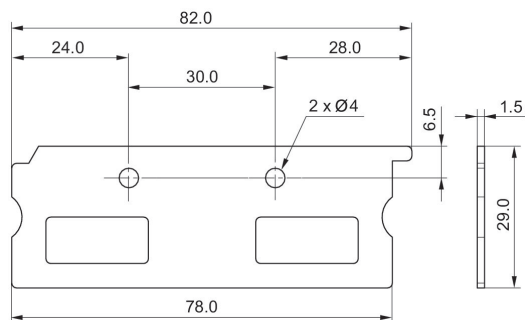
355



Type	Frame size	Part No.
Port 3, 5 open	ISO 1	88135510

**88135510**

Dimensions



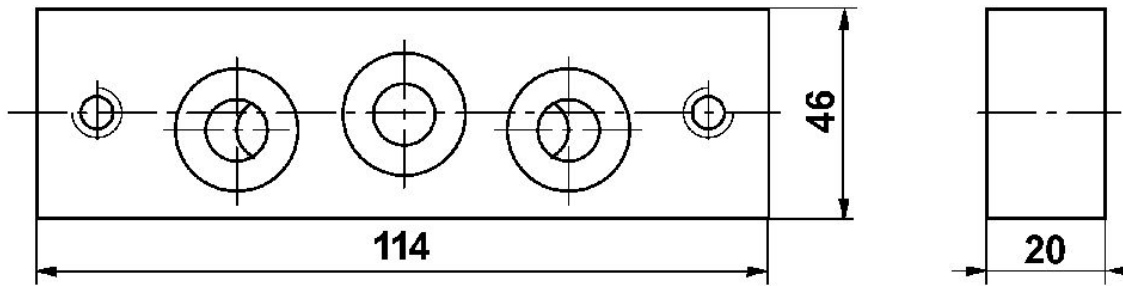
**Transition plate**

ISO 5599-1  
Base plate connection



Frame size	Part No.
ISO 1, ISO 2	5802520000

Dimensions





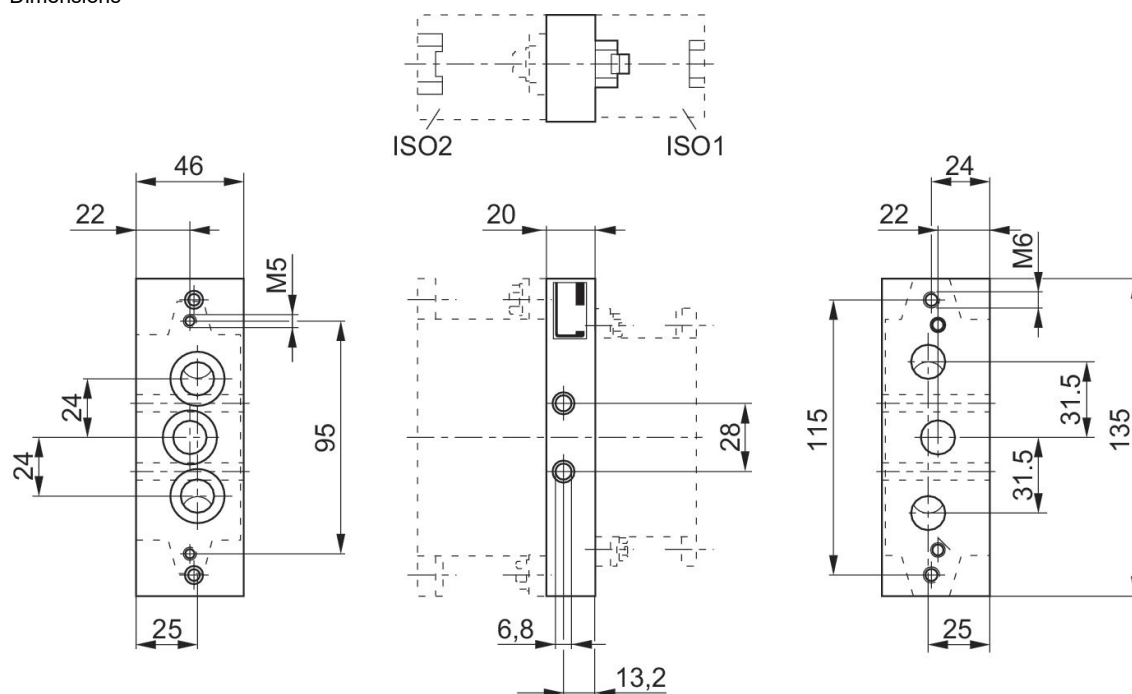
**Transition plate**

ISO 5599-1



Frame size	Part No.
ISO 1 > ISO 2	1825503164

Dimensions



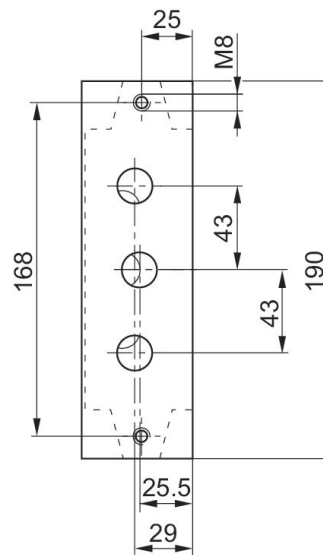
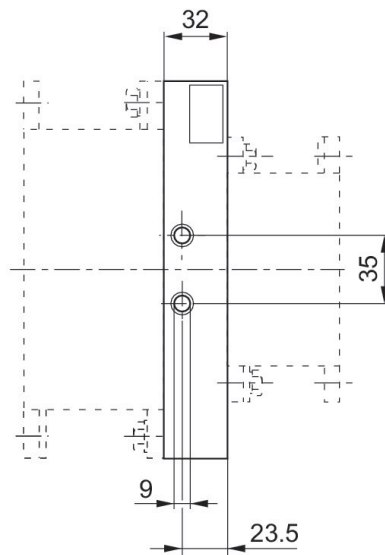
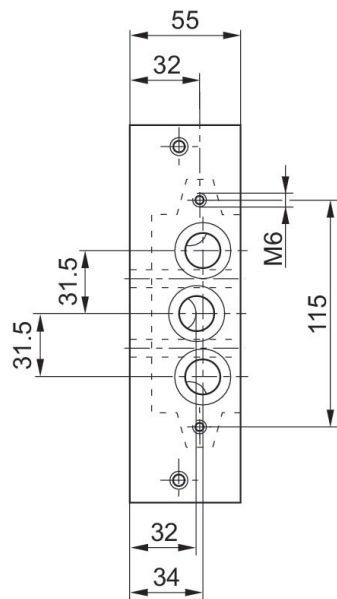
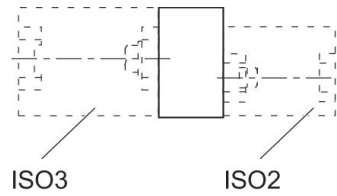
**Transition plate**

ISO 5599-1



Frame size	Part No.
ISO 2 > ISO 3	1825503165

Dimensions



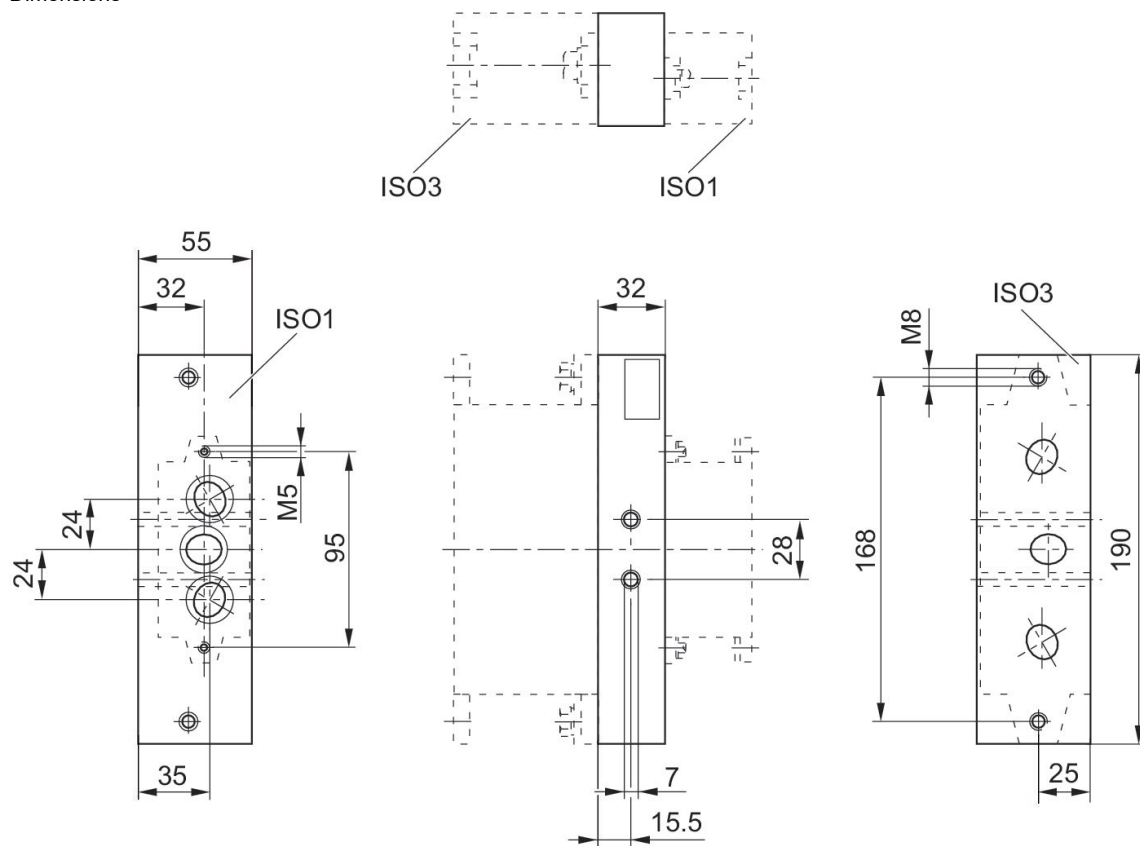
**Transition plate**

ISO 5599-1



Frame size	Part No.
ISO 1 > ISO 3	1825503166

Dimensions



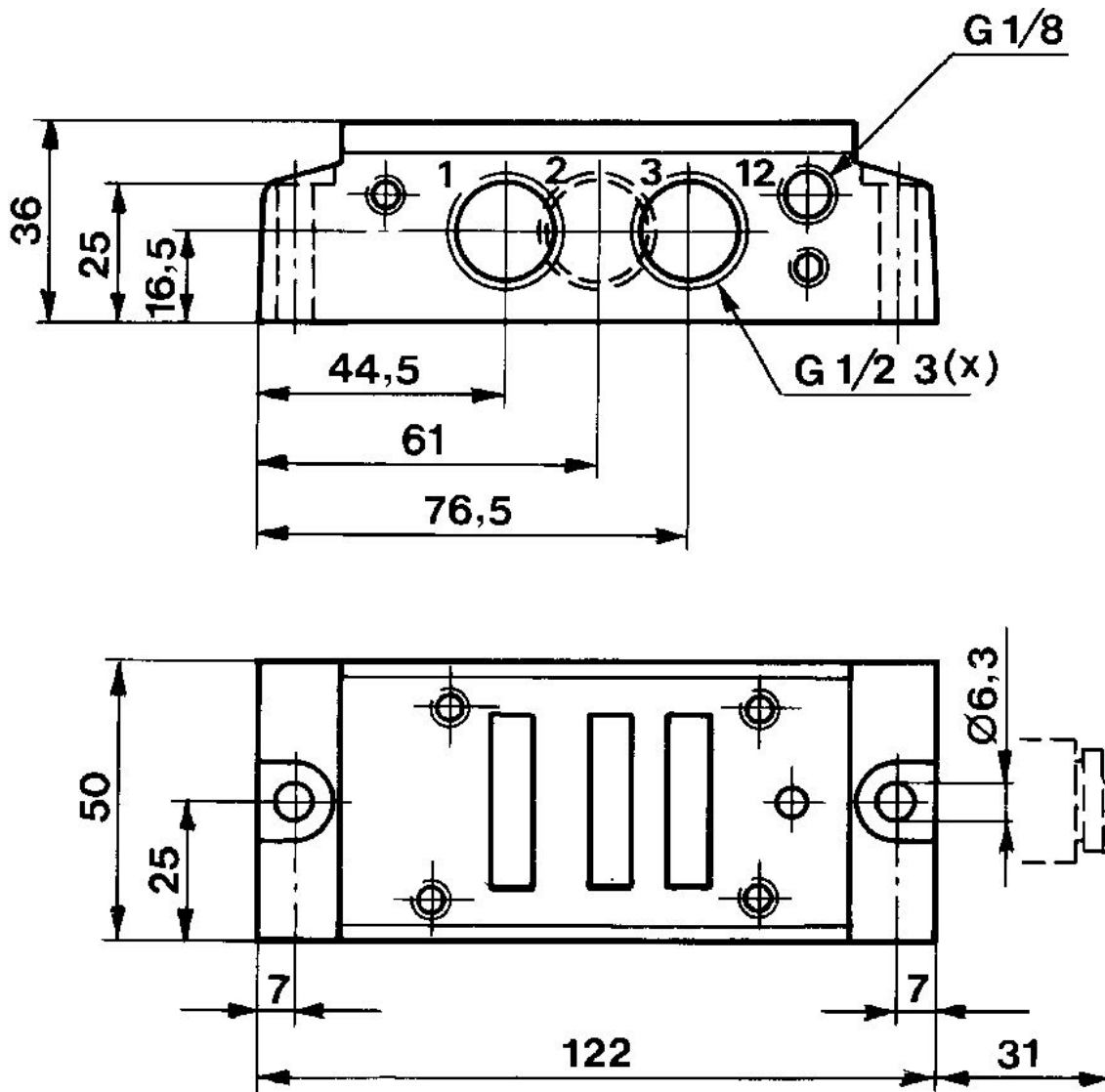
**Single subbase, for soft-start valve**

Internal thread  
G 1/2  
G 1/2



Compressed air connection input	Compressed air connection output	Compressed air connection, exhaust	Compressed air connection pilot air	Max. number of valve positions	Part No.
G 1/2	G 1/2	G 1/2	G 1/8	1	5834710000

Dimensions



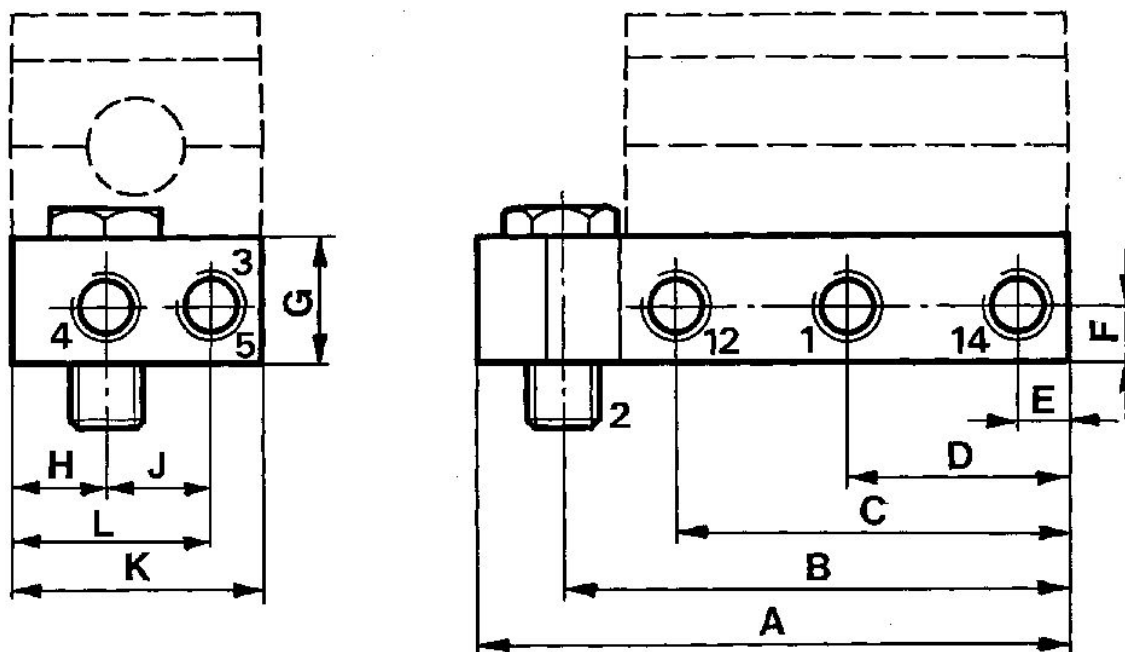
**Subbase, for direct mounting of ISO valves on cylinders**

ISO 5599-1  
Internal thread



Frame size	Compressed air connection input	Compressed air connection output	Compressed air connection, exhaust	Compressed air connection pilot air	Part No.
ISO 1	G 1/8	G 1/8	G 1/8	G 1/8	5801690000

Dimensions



Part No.	1, 4, 3, (5)	2*	12, 14	A	B	C	D	E	F	G
5801690000	G 1/8	G 1/8, G 1/4	G 1/8	93.5	80	62	35	8	9	20
5802690000	G 3/8	G 3/8	G 1/8	127	109.5	81.5	46.5	11.5	13	32

H	J	K	L
15	17	40	32
29	26	60	46.5

\* Two different threaded banjo bolts are supplied with 5801690000 to be used with different cylinders.

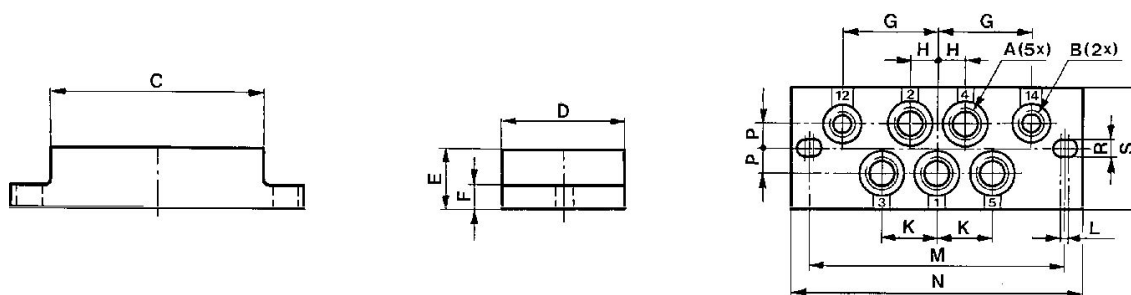
**Single subbase, ports on bottom**

ISO 5599-1



Frame size	Compressed air connection input	Compressed air connection output	Compressed air connection, exhaust	Compressed air connection pilot air	Max. number of valve positions	Part No.
ISO 1	G 1/8	G 1/8	G 1/8	G 1/8	1	5801700000

**Dimensions**



Part No.	A *)	B *)	C	D	E	F	G	H	K	L
5801700000	G1/8	G1/8	70	40	20	8	26.5	9	18	2
5801800000	Ø 6	Ø 4	70	40	20	8	26.5	9	18	2
5802700000	G1/4	G1/8	86	52	22	8	34	12	24	2
5802800000	Ø 8	Ø 6	86	52	22	8	34	12	24	2
5803700000	G3/8	G1/8	118	65	32	10	45	16	32	2
5804700000	G1/2	G1/8	142	76	37	10	55.5	20	40	2

M	N	P	R	S
84	96	8	5.4	40
84	96	8	5.4	40
102	115	10	6.4	52
102	115	10	6.4	52
138	153	11	8.4	65
175	190	13	8.4	76

\*) Ports

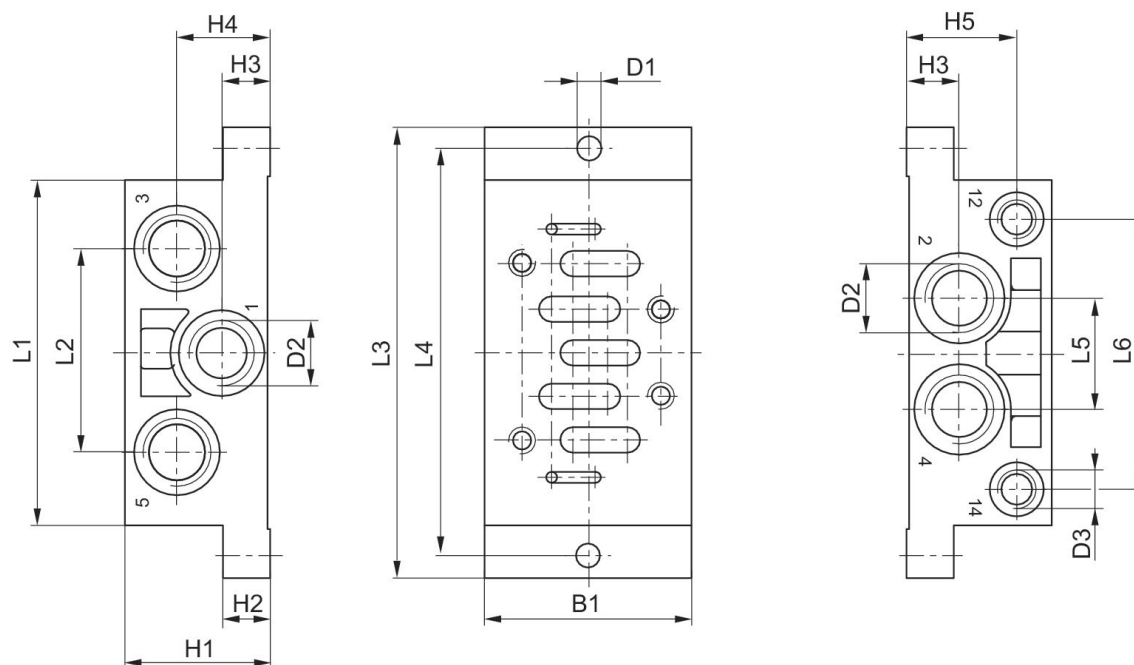
**Single subbase, thread connections on the side**

ISO 5599-1  
Internal thread



Frame size	Compressed air connection input	Compressed air connection output	Compressed air connection, exhaust	Compressed air connection pilot air	Max. number of valve positions	Part No.
ISO 1	G 1/4	G 1/4	G 1/4	G 1/8	1	1825503143

8985041104



Part No.	B1	H1	H2	H3	H4	H5	D1	D2 *)	D3 *)	L1
1825503143	48	32	10	11,5	21,5	23,5	5,5	G 1/4	G 1/8	84
1825503146	57	40	13	14	26	30	6,6	G 3/8	G 1/8	95
1825503149	71	32	18	17	17	22	6,6	G 1/2	G 1/8	119
8985041404	85	42	19	22	22	30	9	G 3/4	G 1/8	148

L2	L3	L4	L5	L6
43	110	98	24	58
56	124	112	30	74
68	149	136	32	90

L2	L3	L4	L5	L6
90	186	170	42	111

\*) Ports



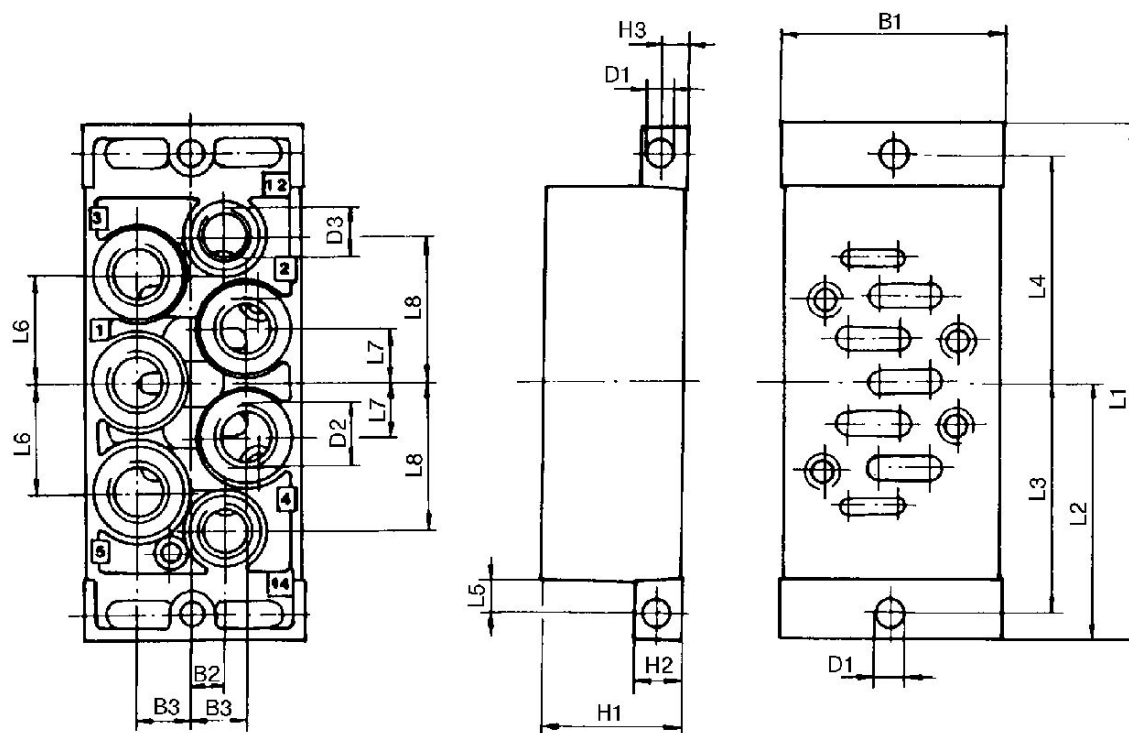
**Single subbase, thread connections on the bottom**

ISO 5599-1  
Internal thread



Frame size	Compressed air connection input	Compressed air connection output	Compressed air connection, exhaust	Compressed air connection pilot air	Max. number of valve positions	Part No.
ISO 1	G 1/4	G 1/4	G 1/4	G 1/8	1	1825503201

Dimensions



Part No.	B1	B2	B3	D1	D2 *)	D3 *)	H1	H2	H3	L1
1825503201	46	7	11.5	5.5	G 1/4	G 1/8	30	10	5	110
1825503202	56	8	13,5	6,6	G 3/8	G 1/8	35	13	6,5	124
1825503203	77	10	17	6.6	G 1/2	G 1/8	32	18	9	149

L2	L3	L4	L5	L6	L7	L8
55	49	49	7	23	11,5	31
62	56	56	8,5	28	14	36,5

L2	L3	L4	L5	L6	L7	L8
74.5	68	68	8.5	34	17	45

\*) Ports

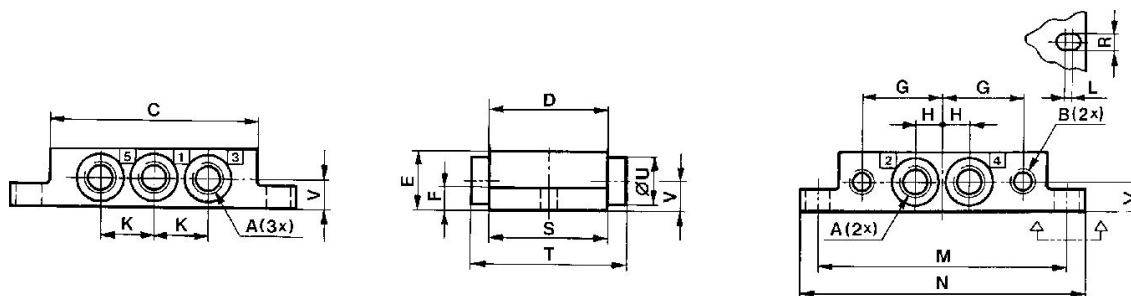
**Single subbase, ports on side**

ISO 5599-1



Frame size	Compressed air connection input	Compressed air connection output	Compressed air connection, exhaust	Compressed air connection pilot air	Max. number of valve positions	Part No.
ISO 1	G 1/8	G 1/8	G 1/8	G 1/8	1	5801710000
ISO 1	G 1/4	G 1/4	G 1/4	G 1/8	1	5801740000

**Dimensions**



Part No.	A *)	B *)	C	D	E	F	G	H	K	L
5801710000	G 1/8	G 1/8	70	40	20	8	26.5	9	18	2
5801740000	G 1/4	G 1/8	70	40	23	11	31.5	11.5	23	2
5801810000	Ø 6	Ø 4	70	40	20	8	26.5	9	18	2
5801770000	Ø 8	Ø 6	70	40	23	10	31.5	11.5	23	2
5802710000	G 1/4	G 1/8	86	52	23	8	34	12	24	2
5802740000	G 3/8	G 1/8	86	50	30	13	39	15	30	2
5802810000	Ø 8	Ø 6	86	52	23	8	34	12	24	2
5803710000	G 3/8	G 1/8	118	65	32	10	45	16	32	2
5804710000	G 1/2	G 1/8	142	76	37	10	55.5	20	40	2

M	N	R	S	T	U	V
84	96	5.4	40	-	-	10
96	110	5.4	46	64	21	12
84	96	5.4	40	-	-	10
96	110	5.4	46	64	21	12
102	115	6.4	52	-	-	11.5
111	124	6.4	56	80	27	16

M	N	R	S	T	U	V
102	115	6.4	52	-	-	11.5
138	153	8.4	65	-	-	17.5
175	190	8.4	76	-	-	21

\*) Ports

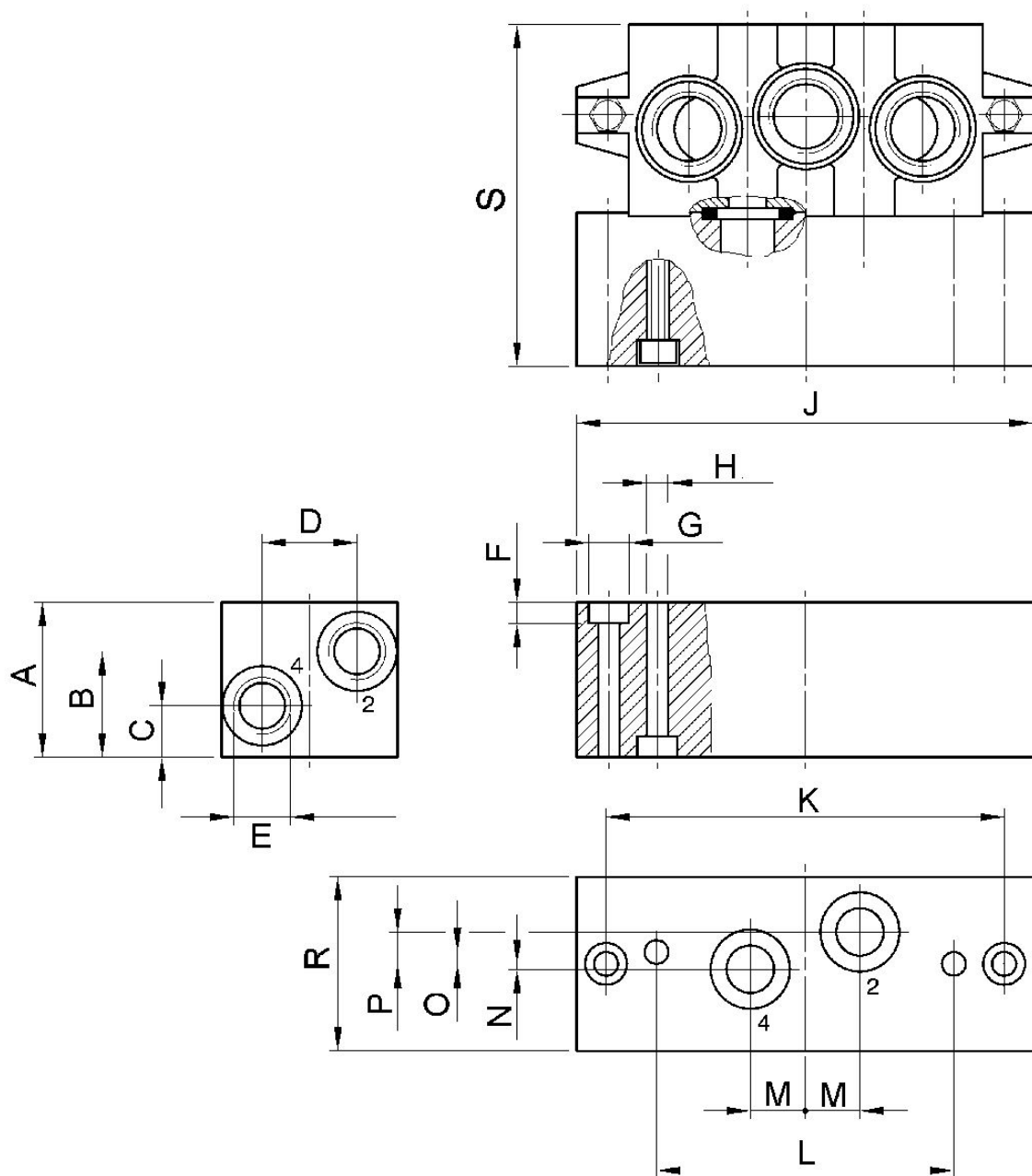
**Angle subplate**

ISO 5599-1  
Internal thread



Compressed air connection output		Connection direction	Part No.
	G 1/4	On the side	1825503170
	G 3/8	On the side	1825503204
	G 1/2	On the side	1825503205

Dimensions



Part No.	A	B	C	D	E	F	G	H	J	K
1825503170	37	25	12	22	G 1/4	5,7	Ø 10	Ø 5,5	110	95
1825503324	37	25	12	22	G 1/4	5,7	Ø 10	Ø 5,5	110	95
1825503204	40	26	14	29	G 3/8	6,8	Ø 11	Ø 6,6	135	115
1825503205	45	29	17	36	G 1/2	9	Ø 15	Ø 9	190	168
1825503764	45	29	17	36	G 1/8	9	Ø 15	Ø 9	190	168

L	M	N	O	P	R	S	Weight
71	13	1,5	3	7,5	42	81	

L	M	N	O	P	R	S	Weight
71	13	1,5	3	7,5	42	81	
86	15	5	3	6	55	85	
130	19	6	3	8	70	99	
130	19	6	3	8	70	99	

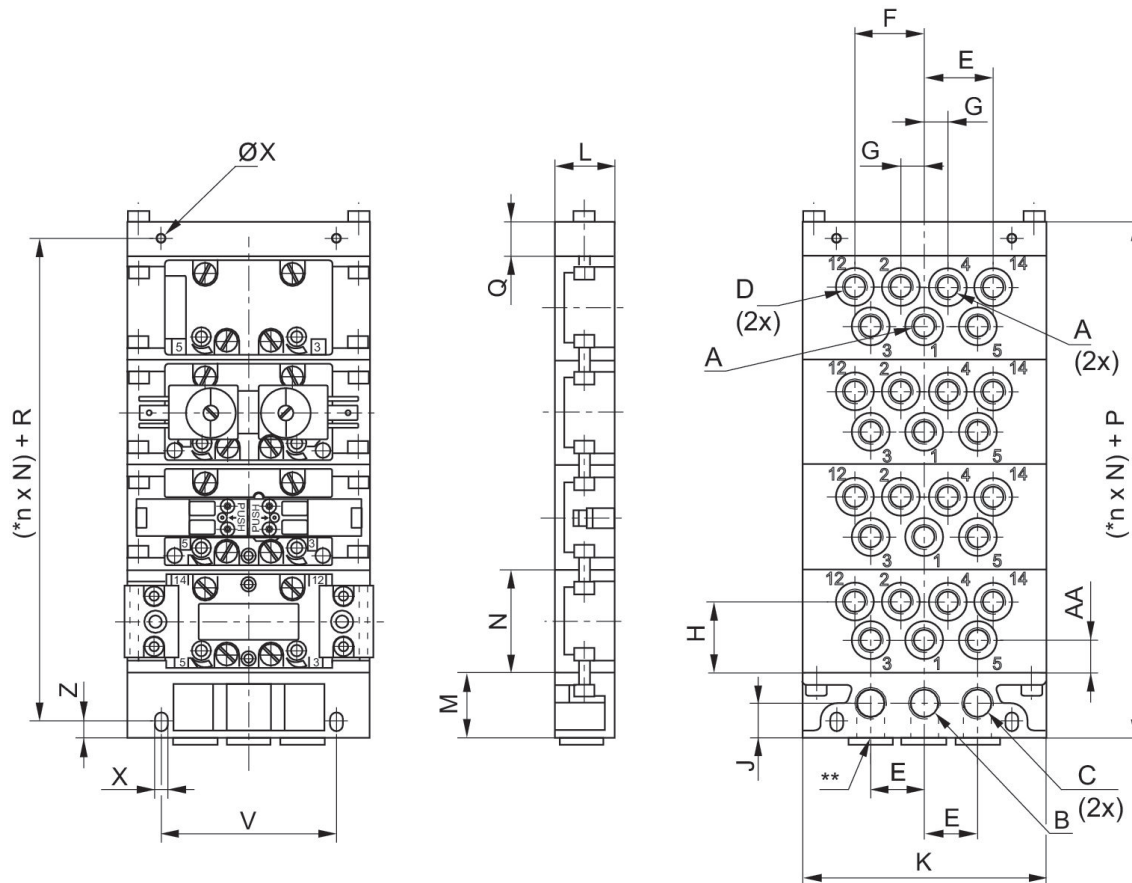
**Intermediate plate for separate air supply, ports 2 and 4 on bottom**

ISO 5599-1  
Internal thread



Type	Frame size	Compressed air connection input	Compressed air connection output	Compressed air connection, exhaust	Compressed air connection pilot air	Max. number of valve positions	Part No.
Intermediate plate for separate air supply	ISO 1	G 1/8	G 1/8	G 1/8	G 1/8	1	5801670000
Intermediate plate for separate air supply	ISO 1	G 1/4	G 1/4	G 1/4	G 1/8	1	5801680000

Dimensions



\* n = Number of subbases. \*\* Alternative port openings, closed with plugs



Part No.		A	B	C	D	E	F	G	H	J
5801670000	ISO 1	G 1/8	G 1/4	G 1/4	G 1/8	22	28.5	9.5	29.5	14.5
5801680000	ISO 1	G 1/4	G 3/8	G 3/8	G 1/8	27	40	12.5	26.5	20
5802670000	ISO 2	G 1/4	G 3/8	G 3/8	G 1/8	27	39	13.5	38	20
5802680000	ISO 2	G 3/8	G 1/2	G 1/2	G 1/8	36	52	17	33	22

K	L	M	N	P	Q	R	V	X	Z	AA
100	25	27	43	41	14	27.5	72	5.4	7	8
122	30	34	43	49	15	34	94	6.4	8	10
122	28	34	56	49	15	34	94	6.4	8	18
156	37	39	56	59	20	40	118	8.4	10	33

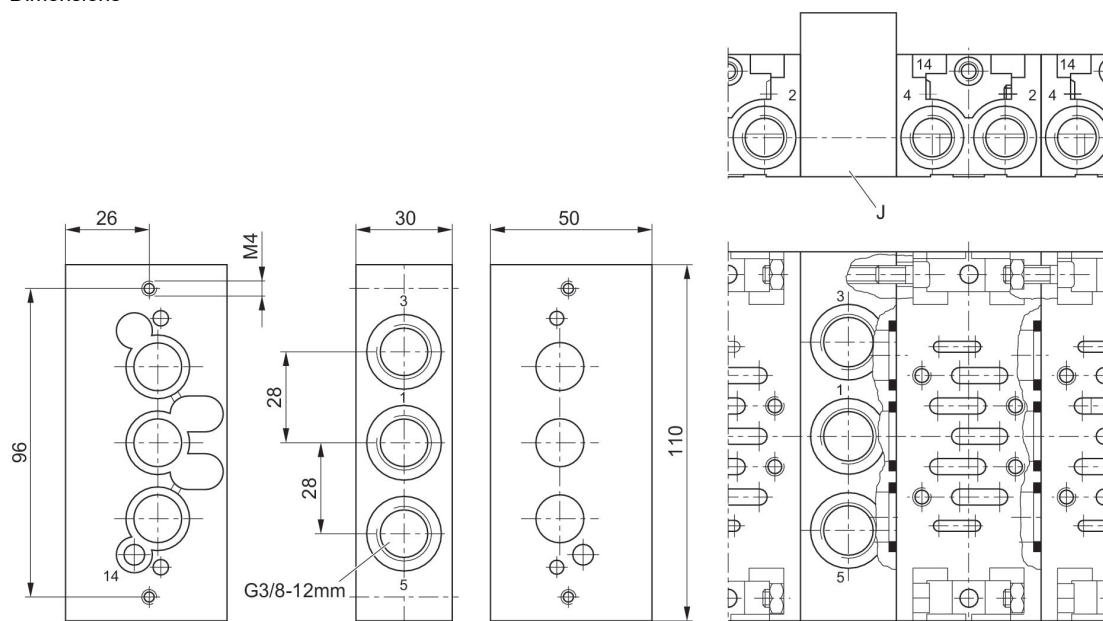
**Supply plate**

ISO 5599-1  
Internal thread  
G 3/8



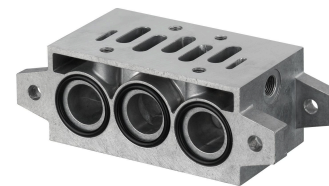
Compressed air connection input	Compressed air connection, exhaust	Part No.
G 3/8	G 3/8	1825503314

**Dimensions**



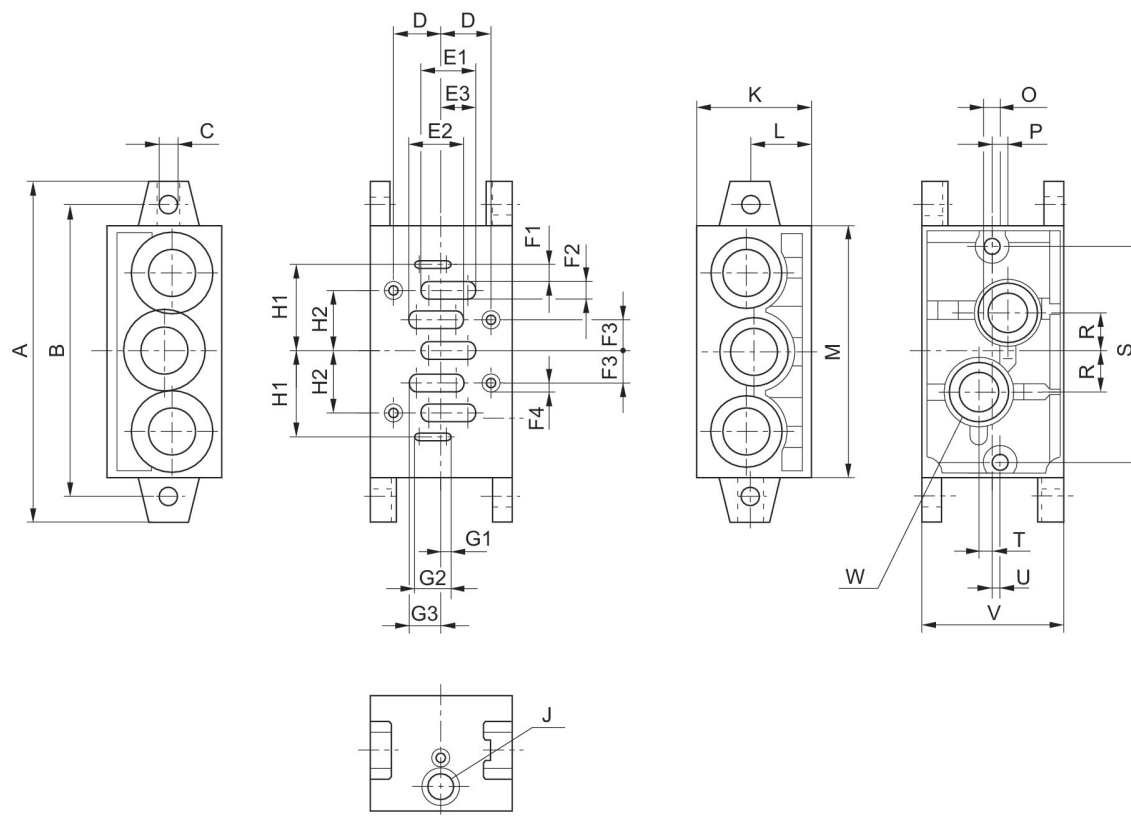
**Base plate, ports 2 and 4 on bottom**

ISO 5599-1  
Internal thread



Frame size	Compressed air connection output	Compressed air connection pilot air	Max. number of valve positions	Part No.
ISO 1	G 1/4	G 1/8	1	1825503144

Dimensions



Part No.	A	B	C	D	E1	E2	E3	F1	F2	F3
1825503144	110	95	5,5	14	16,5	16,5	11,25	3	4,5	9
1825503147	135	115	6,6	19	22	22	13,5	3	7	12
1825503150	190	168	9	24	29	29	16,5	4	10	16
8985041422	215	184	11	—	—	—	—	—	—	—

F4	G1	G2	G3	H1	H2	J	K	L	M	O
M5	3	13,5	11,25	26,5	18	G 1/8	44	22	85	M5
M6	3	14,5	13,5	34	24	G 1/8	45	24	100	M6
M8	4	17,5	16,5	45	32	G 1/8	54	25	140	M8
—	—	—	—	—	—	—	55	30	142	M8

P	R	S	T	U	V	W
7,5	13	71	1,5	3	43	G 1/4
6	15	86	5	3	56	G 3/8
8	19	130	6	3	71	G 1/2
8	26	—	9	3	82	G 3/4

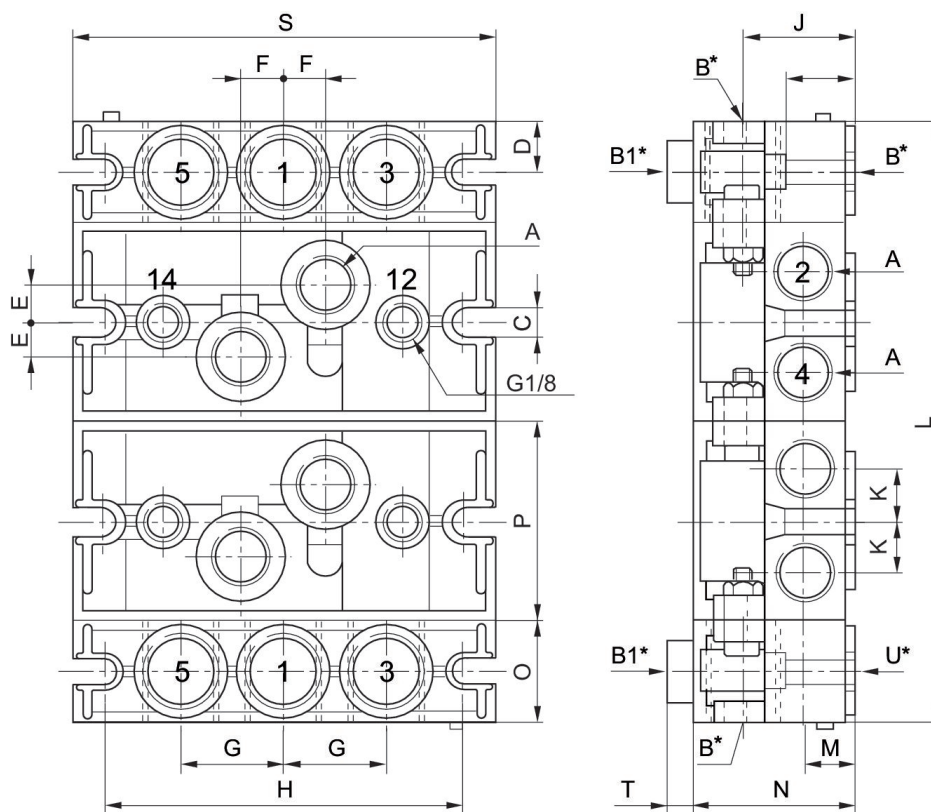
**Base plate, Ports 2 and 4 side or bottom**

ISO 5599-1  
Internal thread



Frame size	Compressed air connection input	Compressed air connection output	Compressed air connection, exhaust	Compressed air connection pilot air	Max. number of valve positions	Part No.
ISO 1	G 1/4	G 1/4	G 1/4	G 1/8	1	5801500000

**Dimensions**



Part No.		A	B	B1	C	D	E	F	G	H
5801500000	ISO 1	2 x G 1/4	3 x G 3/8	3 x G 1/4	5.5	11	5.5	9	22	92
5802500000	ISO 2	2 x G 3/8	3 x G 1/2	3 x G 3/8	6.5	14.5	10	12	29	102

J	K	L	M	N	O	P	R	S	T
24	12	n x 43 + 44	12	36	22	45.7	17	106	8

J	K	L	M	N	O	P	R	S	T
32	15	$n \times 56 + 58$	15	45.7	29	56	20	120	7

n = number of subbases

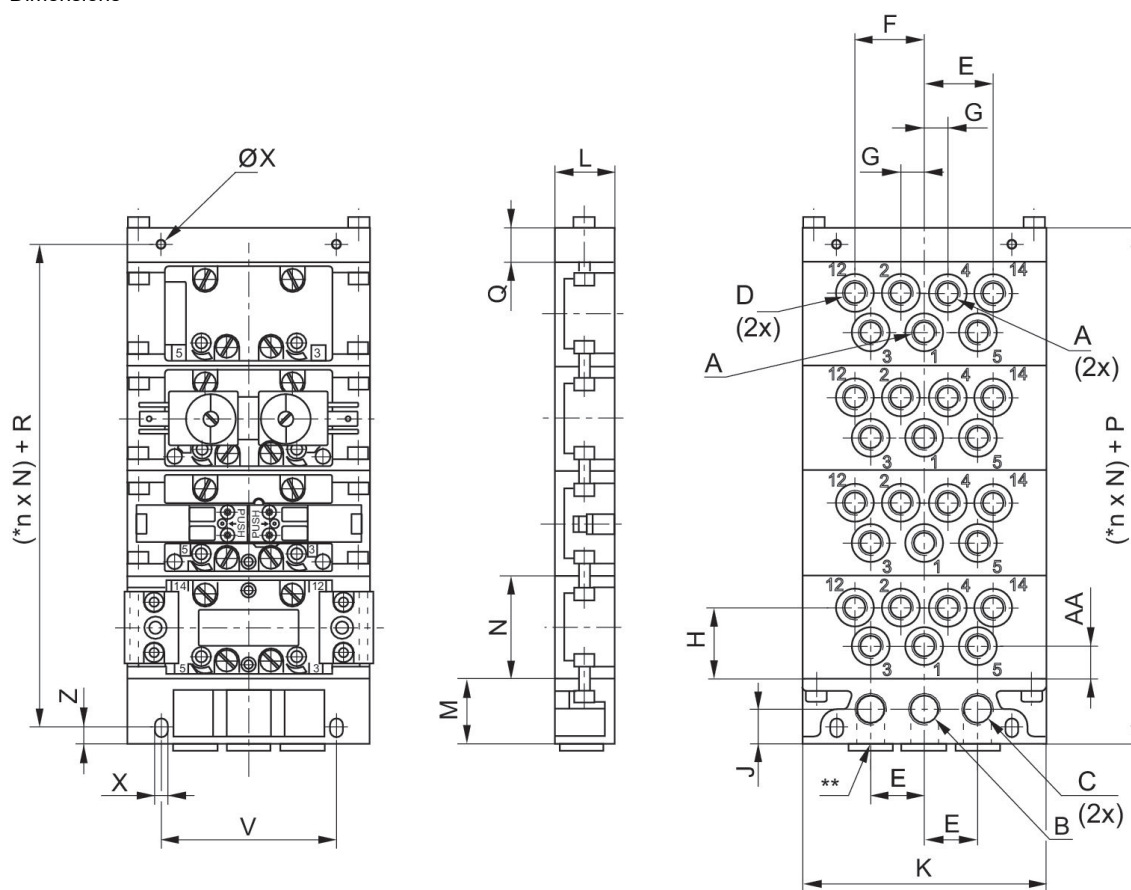
**Base plate, ports 2 and 4 on bottom**

ISO 5599-1



Frame size	Compressed air connection output	Compressed air connection pilot air	Max. number of valve positions	Part No.
ISO 1	G 1/8	G 1/8	1	5801720000
ISO 1	G 1/4	G 1/8	1	5801750000

**Dimensions**



\* n = Number of subbases. \*\* Alternative port openings, closed with plugs

Part No.	*		A	B	C	D	E	F	G	H
5801720000	a	ISO 1	G 1/8	G 1/4	G 1/4	G 1/8	22	28.5	9.5	29.5
5801750000	b	ISO 1	G 1/4	G 3/8	G 3/8	G 1/8	27	40	12.5	26.5

Part No.	*		A	B	C	D	E	F	G	H
5801780000	b	ISO 1	Ø 8	G 3/8	G 3/8	Ø 6	27	40	12.5	26.5
5801820000	a	ISO 1	Ø 6	G 1/4	G 1/4	Ø 4	22	28.5	9.5	29.5
5802720000	b	ISO 2	G 1/4	G 3/8	G 3/8	G 1/8	27	39	13.5	38
5802750000	c	ISO 2	G 3/8	G 1/2	G 1/2	G 1/8	36	52	17	33
5802820000	b	ISO 2	Ø 8	G 3/8	G 3/8	Ø 6	27	39	13.5	38
5803720000	c	ISO 3	G 3/8	G 1/2	G 1/2	G 1/8	36	50	18	46
5803750000	d	ISO 3	G 1/2	G 3/4	G 3/4	G 1/8	44	62	20.5	42
5804720000	d	ISO 4	G 1/2	G 3/4	G 3/4	G 1/8	44	60.5	22	53.5

J	K	L	M	N	P	Q	R	V	X	Z
14.5	100	25	27	43	41	14	27.5	72	5.4	7
20	122	30	34	43	49	15	34	94	6.4	8
20	122	30	34	43	49	15	34	94	6.4	8
14.5	100	25	27	43	41	14	27.5	72	5.4	7
20	122	30	34	56	49	15	34	94	6.4	8
22	156	37	39	56	59	20	40	118	8.4	10
20	122	28	34	56	49	15	34	94	6.4	8
22	156	36	39	71	59	20	40	118	8.4	10
24	190	40	44	71	64	20	45	146	8.4	10
24	190	40	44	82	64	20	45	146	8.4	10

AA
8
10
10
13.5
18
13
18
-
-
-

\* Intermediate plates designated with the same letters (a-d) can be mounted together without a transition plate.



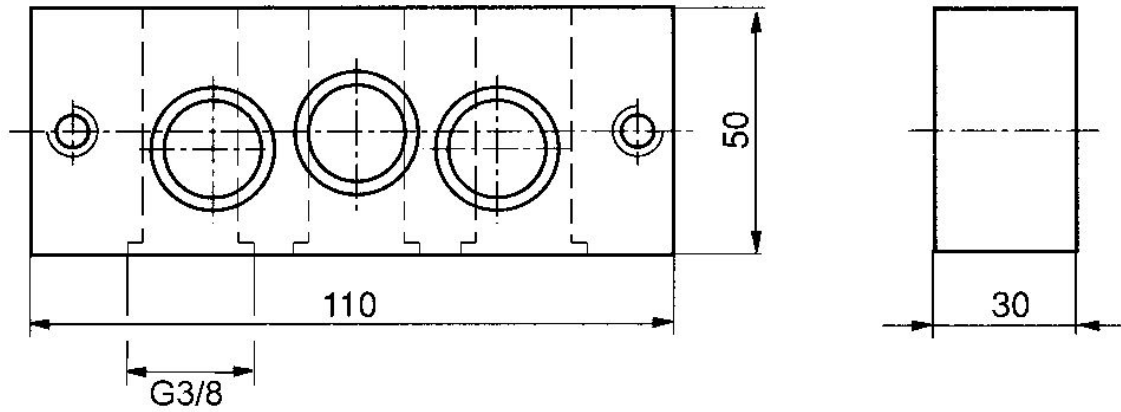
**Supply plate**

ISO 5599-1  
Internal thread  
G 3/8  
G 3/8



Frame size	Compressed air connection input	Compressed air connection, exhaust	Part No.
ISO 1	G 3/8	G 3/8	8985041162

Dimensions



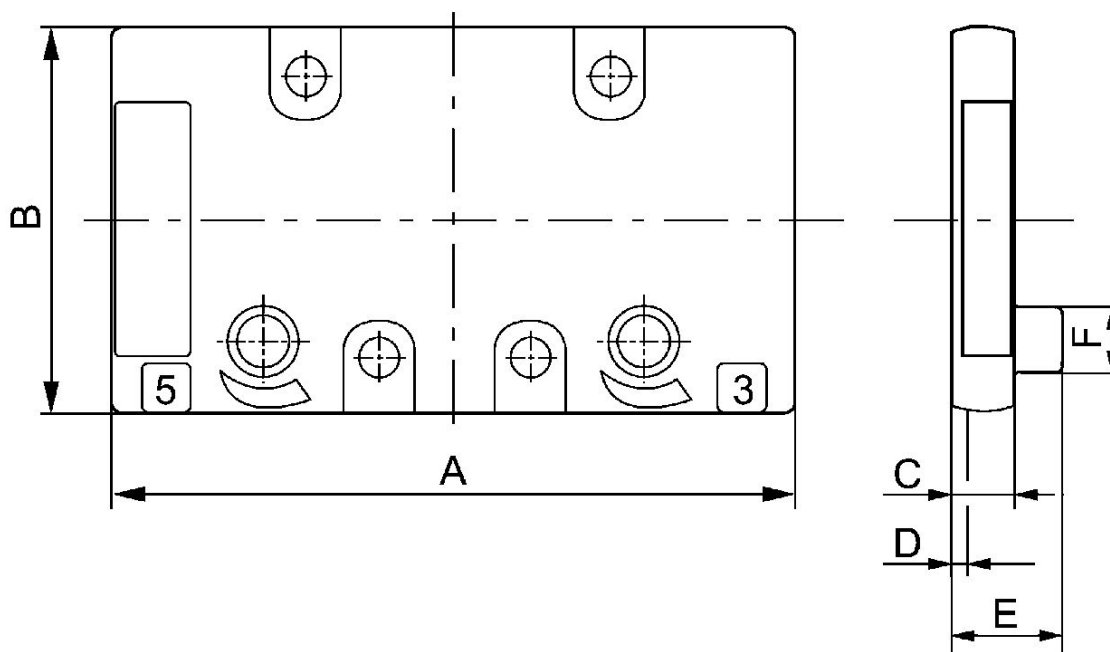
**Blanking plate**

ISO 5599-1



Frame size	Max. number of valve positions	Part No.
ISO 1	1	5801870000
ISO 2	1	5802870000
ISO 3	1	5803870000
ISO 4	1	5804870000

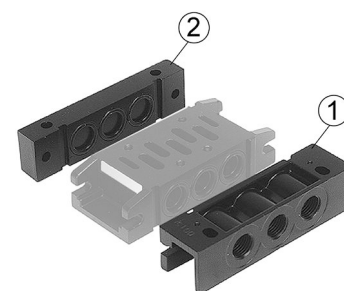
Dimensions



Part No.	A	B	C	D	E	F
5801870000	69	39	7	2	-	-
5802870000	86.4	49.4	9	2	-	-
5803870000	116.5	63.5	10	2	15	12
5804870000	142.5	74.5	10	2	20	15

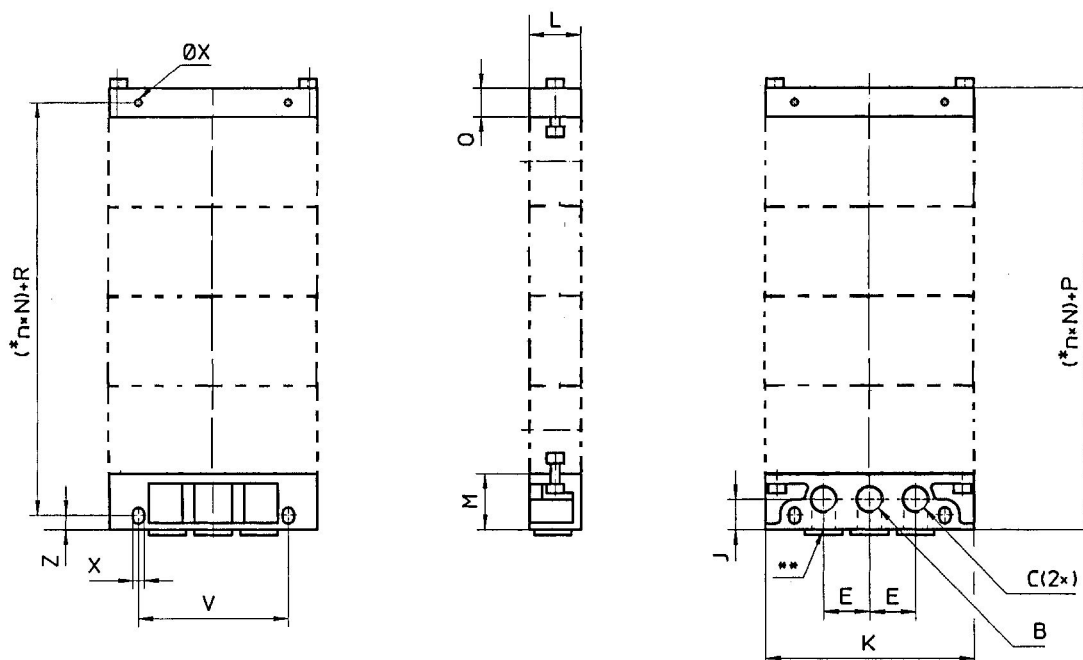
**End plate left, End plate right**

ISO 5599-1  
Internal thread



Frame size	Compressed air connection input	Compressed air connection, exhaust	Part No.
ISO 1	G 1/4	G 1/4	5801850000
ISO 1			5801860000

**Dimensions**



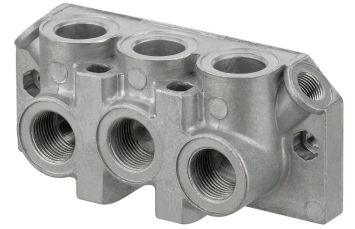
\* n = Number of subbases. \*\* Alternative port openings, closed with plugs

Part No.		B	C	E	J	K	L	M	P	Q
5801850000	ISO 1	G 1/4	G 1/4	22	14.5	100	25	27	41	-
5801860000	ISO 1	-	-	-	-	100	25	-	41	14
5802850000	ISO 1, ISO 2	G 3/8	G 3/8	27	20	122	30	34	49	-
5802860000	ISO 1, ISO 2	-	-	-	-	122	29	-	49	15
5803850000	ISO 2, ISO 3	G 1/2	G 1/2	36	22	156	37	39	59	-
5803860000	ISO 2, ISO 3	-	-	-	-	156	37	-	59	20
5804850000	ISO 3, ISO 4	G 3/4	G 3/4	44	24	190	42	44	64	-
5804860000	ISO 3, ISO 4	-	-	-	-	190	42	-	64	20

R	V	X	Z	Weight
27.5	72	5.4	7	
27.5	72	5.4	-	
34	94	6.4	8	
34	94	6.4	-	
40	118	8.4	10	
40	118	8.4	-	
45	146	8.4	10	
45	146	8.4	-	

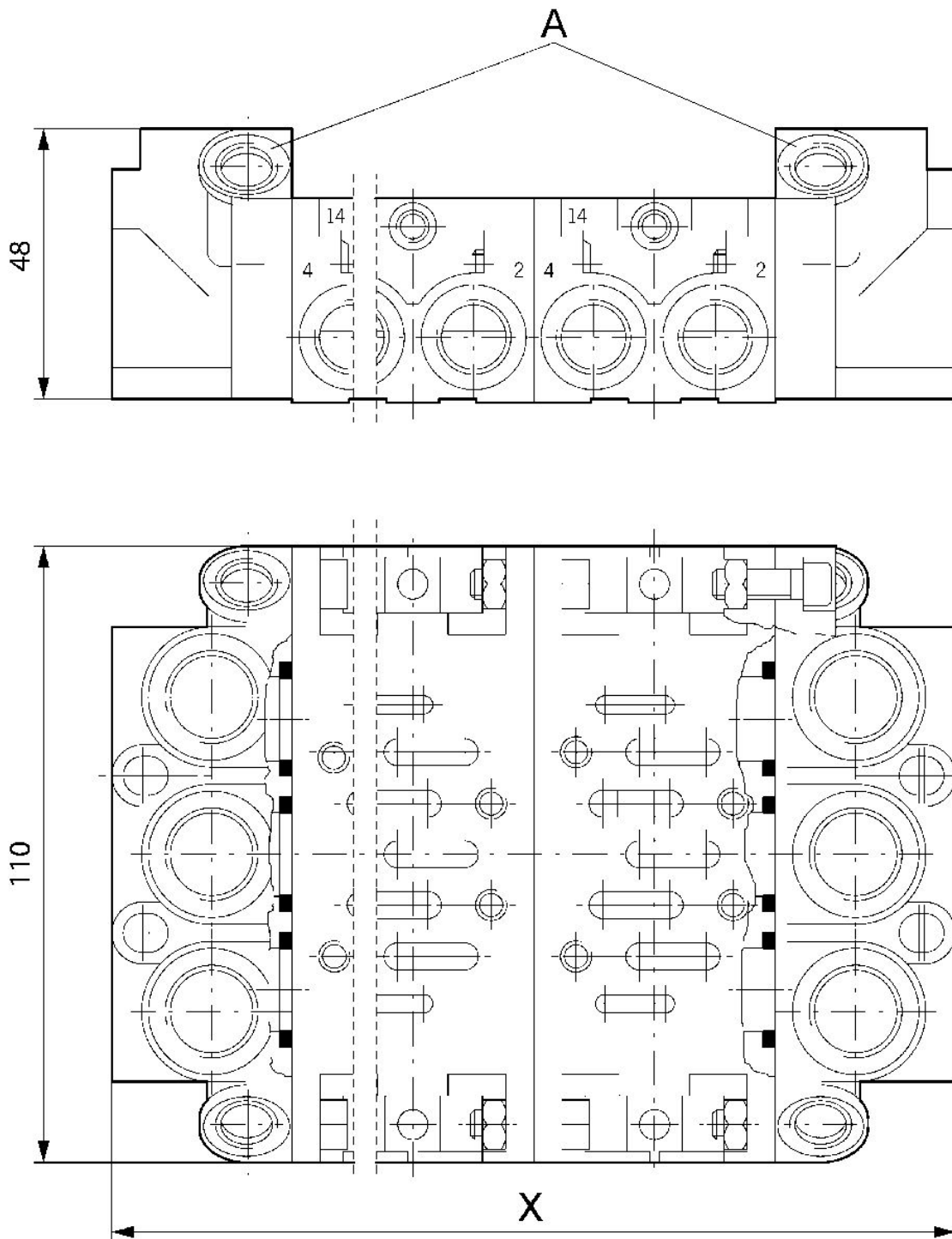
**End plate left, End plate right**

ISO 5599-1  
Internal thread  
G 3/8



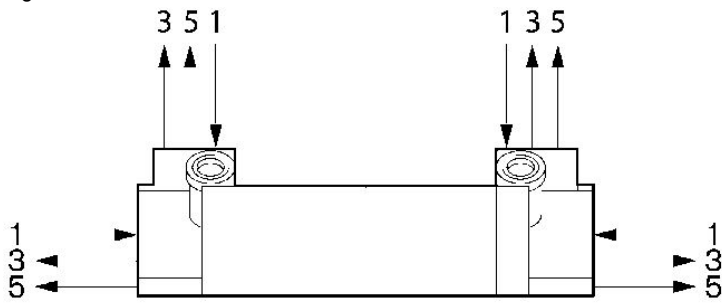
Frame size	Compressed air connection input	Compressed air connection, exhaust	Compressed air connection pilot air	Part No.
ISO 1	G 3/8	G 3/8	G 1/8	1825503294
ISO 1	G 3/8	G 3/8	G 1/8	1825503297

Dimensions



A = left and right end plates in two versions

Fig. 2



n	2	3	4	...	n
X	150	193	236	...	$n \cdot 43 + 64$

n = number of valve positions

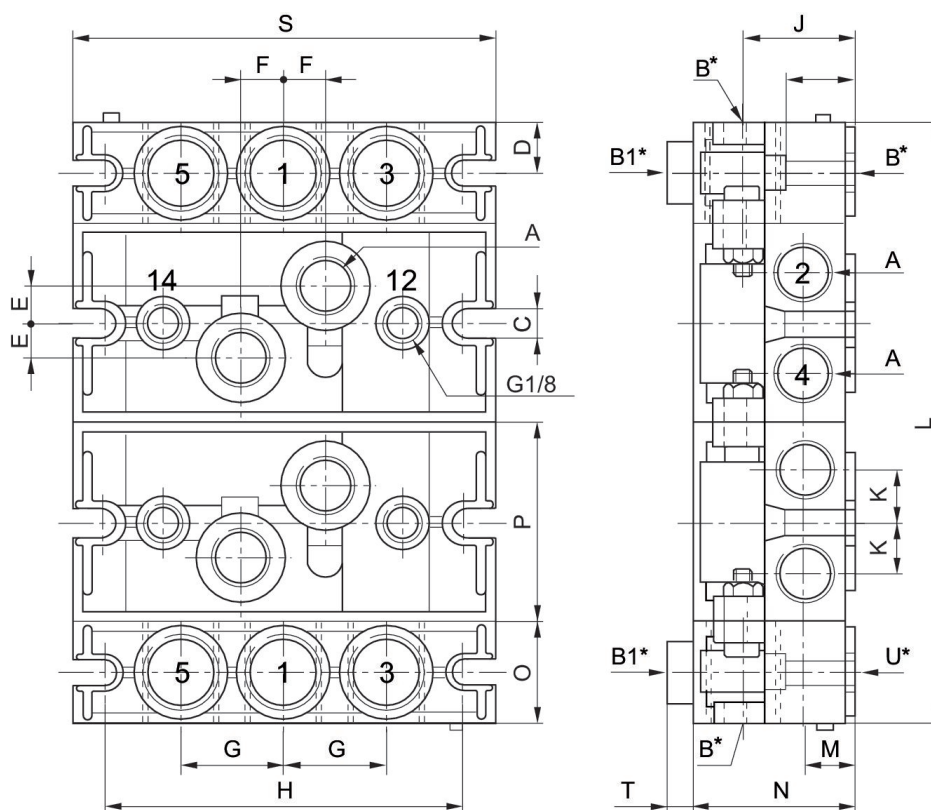
**End plate left, End plate right**

ISO 5599-1  
Internal thread



Frame size	Compressed air connection input	Compressed air connection, exhaust	Part No.
ISO 1	G 3/8	G 3/8	5801510000

Dimensions



Part No.		A	B*	B1*	C	D	E	F	G	H
5801510000	ISO 1	2 x G 1/4	3 x G 3/8	3 x G 1/4	5.5	11	5.5	9	22	92
5802510000	ISO 2	2 x G 3/8	3 x G 1/2	3 x G 1/4	6.5	14.5	10	12	29	102

Part No.	J	K	L	M	N	O	P	R	S	T
5801510000	24	12	n x 43 + 44	12	36	22	45.7	17	106	8
5802510000	32	15	n x 56 + 58	15	43	29	56	20	120	7



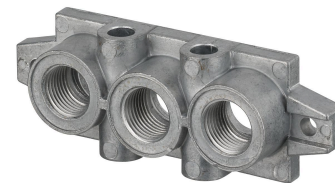
Part No.	U*
5801510000	3 x G 3/8
5802510000	3 x G 1/2

n = number of subbases

\*Dimensions B, B1, and U are prepared with threaded connections but must be drilled through as required for the desired porting configuration.

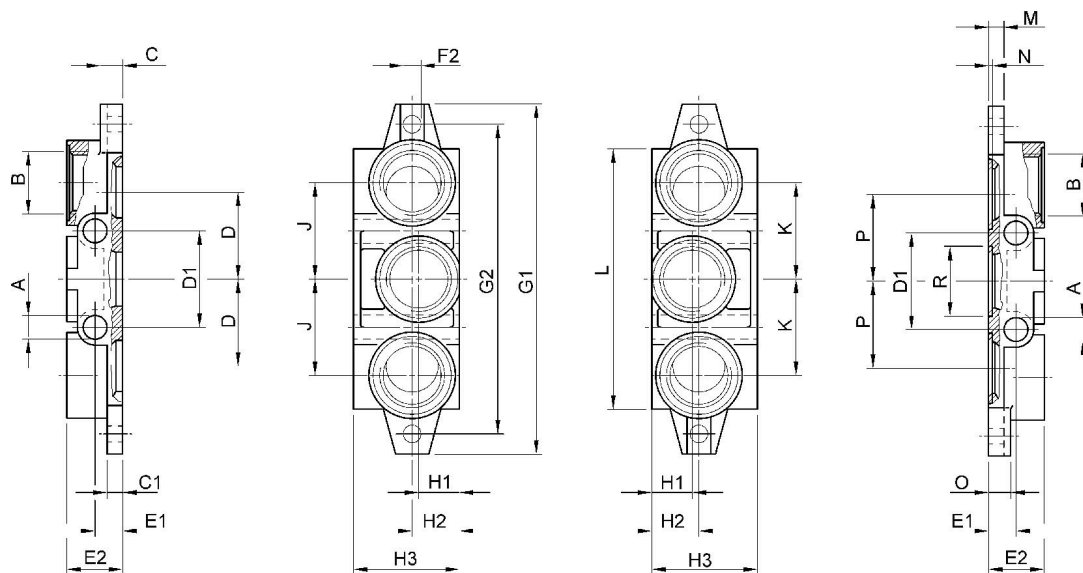
**End plate left, End plate right**

ISO 5599-1  
Internal thread  
G 1  
G 1



Frame size	Compressed air connection input	Compressed air connection, exhaust	Part No.
ISO 1	G 3/8	G 3/8	1825503145

Dimensions



Part No.	A	B	C	C1	D	D1	E1	E2	F2	G1
1825503145	7	G 3/8	8	6	24	28	11	22	Ø 5,5	110
1825503148	9	G 1/2	11	8	31,5	35	13	26	Ø 6,6	135
1825503151	12	G 1	12	8	47	52	15	32	Ø 9	190
8985041442	12	G 1	19	12	54	56	15	30	Ø 11	215

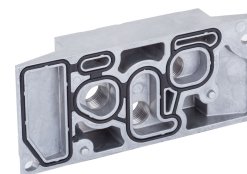
G2	H1	H2	H3	J	K	L	M	N	O	P
95	22	22	46	28	28	85	6	2	8	24
115	23	24	47	34	34	100	8	2	11	31,5
168	22	25	56	52	52	140	8	2,7	12	47
148	30	30	58	54	54		12	2,7	19	54

R
Ø 22,1

R
Ø 28,7
Ø 38
Ø 44,1

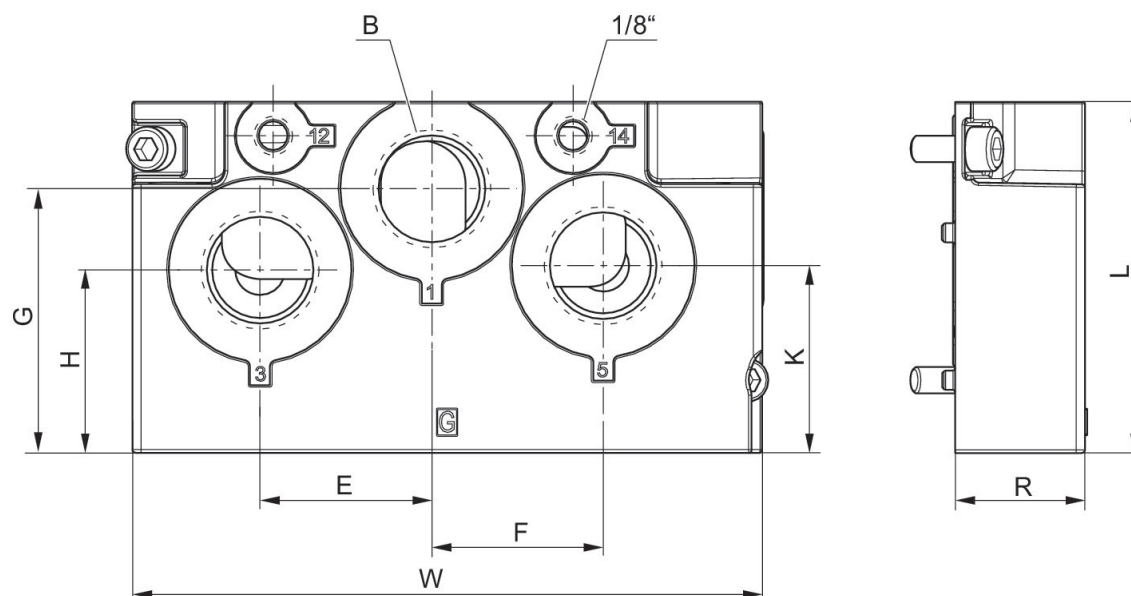
**End plate right, Inch version**

ISO 5599-1



Frame size	Compressed air connection input	Compressed air connection, exhaust	Part No.
ISO 1	3/8 NPT	3/8 NPT	R432037652
ISO 2	3/4 NPT	3/4 NPT	R432037654
ISO 3	1 NPT	1 NPT	R432037656

Dimensions



Part No.	E	F	G	H	J	K	W
R432037652	23	18	15.5	30	20	37.5	135
R432037654	39	39	60	41.5	38	42.5	143
R432037656	49	49	76	53	32	53	53

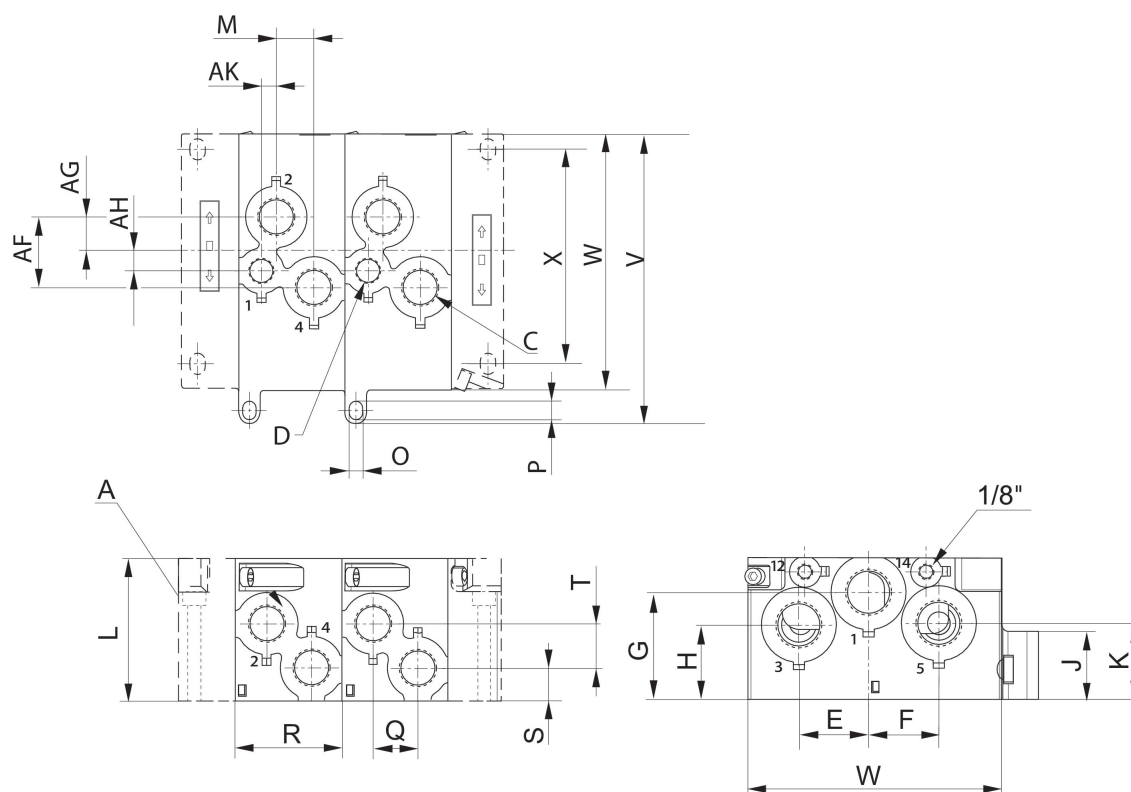
**Base plate**

ISO 5599-1  
Internal thread



Frame size	Compressed air connection output	Part No.
ISO 1	G 3/8	R432037639
ISO 2	G 1/2	R432037641
ISO 3	G 3/4	R432037643

Dimensions



A = left and right end plates in two versions

Part No.	A	D	C	AF	AG	AH	AK	E	F	G
R432037639	G 1/4	-	G 3/8	23.8	11.8	-	-	23	18	15,5
R432037641	G 1/2	G 3/8	G 1/2	39.5	19	11	8.2	39	39	60
R432037643	G 3/4	G 1/2	G 3/4	46.3	25.1	11.2	15.8	49	49	76

H	J	K	L	M	O	P	R	Q	S	T
30	20	37,5	60.6	12	5.5	8.5	45	18	13.3	14.7
41,5	38	42,5	79.7	21	5.5	9.3	59.5	25	18	24.8
53	32	53	100	22.5	6.3	9.3	80	38	24.5	20.5

X	W	V
102,5	135	150
119,6	143	162,5
99	164	183

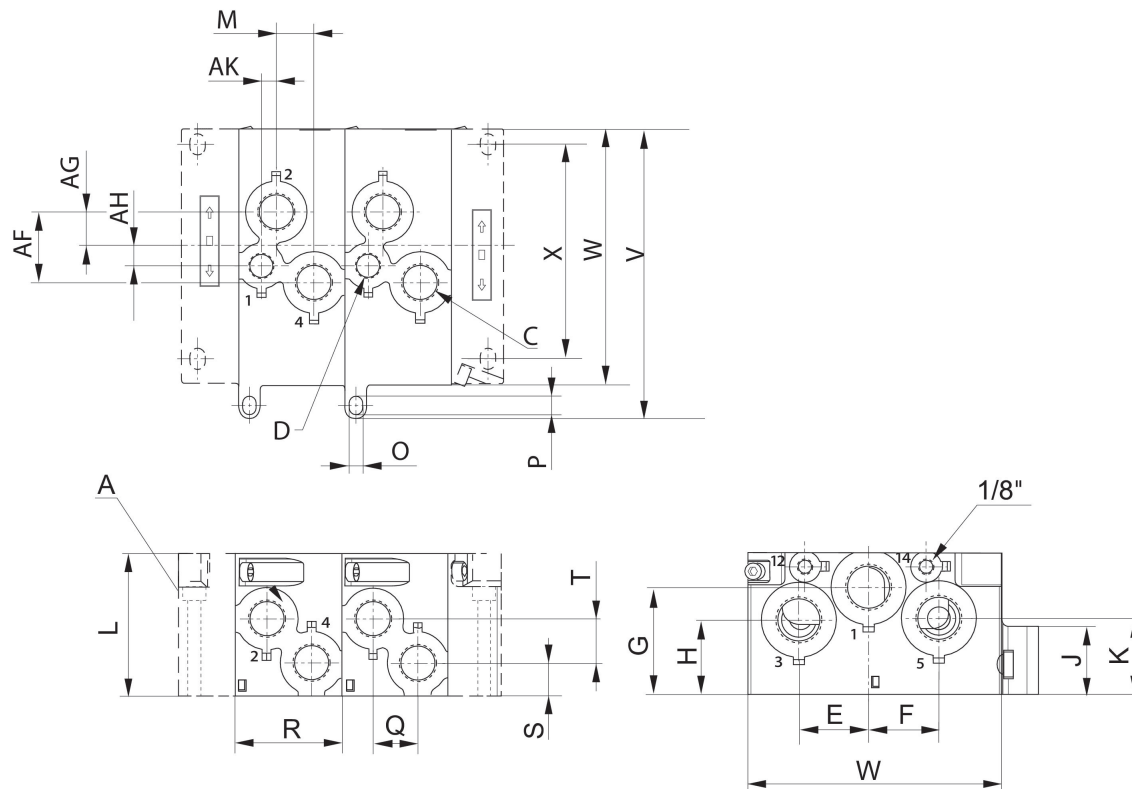
**ISO 5599-1, Base and end plates, Inch version**

ISO 5599-1  
Internal thread



Frame size	Compressed air connection output	Part No.
ISO 1	3/8 NPT	R432037640
ISO 2	1/2 NPT	R432037642
ISO 3	3/4 NPT	R432037644

Dimensions



A = left and right end plates in two versions

Part No.	A	D	C	F	G	H	K	L	M	O
R432037640	1/4 NPT	-	3/8 NPT	23.8	11.8	-	-	60.6	12	5.5
R432037642	1/2 NPT	3/8 NPT	1/2 NPT	39.5	19	11	8.2	79.7	21	5.5
R432037644	3/4 NPT	1/2 NPT	3/4 NPT	46.3	25.1	11.2	15.8	100	22.5	6.3

P	R	Q	S	T
8.5	45	18	13.3	14.7
9.3	59.5	25	18	24.8
9.3	80	38	24.5	20.5

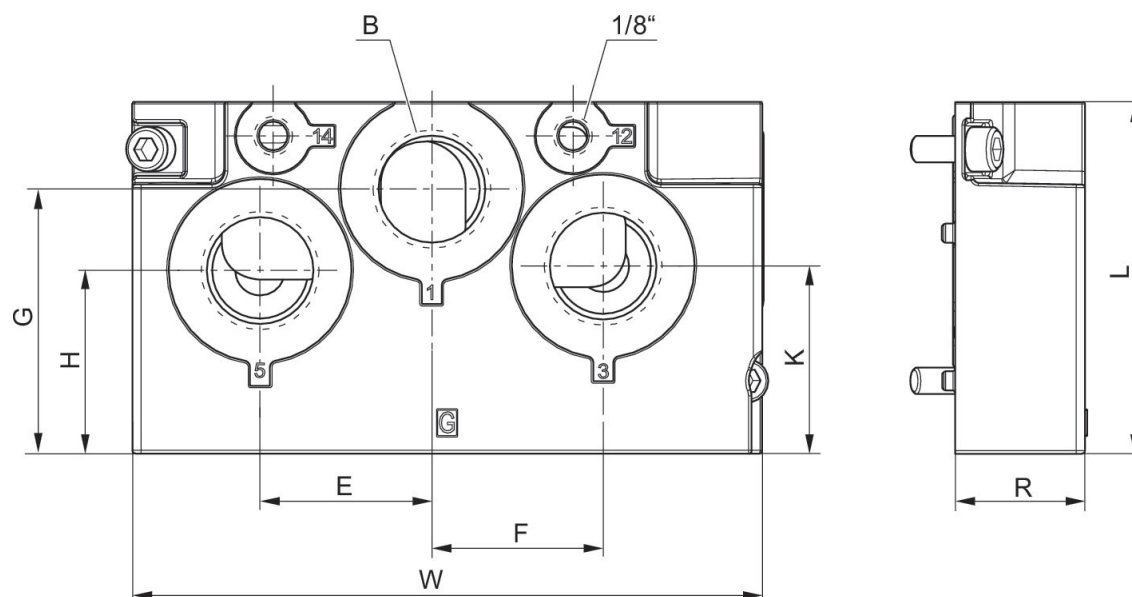


**End plate left**

ISO 5599-1



Frame size	Compressed air connection input	Compressed air connection, exhaust	Part No.
ISO 1	G 3/8	G 3/8	R432037645
ISO 2	G 3/4	G 3/4	R432037647
ISO 3	G 1	G 1	R432037649



Part No.	B	E	F	G	H	J	K	L	R	W
R432037645	3/8	23	18	15.5	30	20	37.5	60.6	25	135
R432037647	3/4	39	39	60	41.5	38	42.5	79.7	32	143
R432037649	1	49	49	76	53	32	53	100	37	164

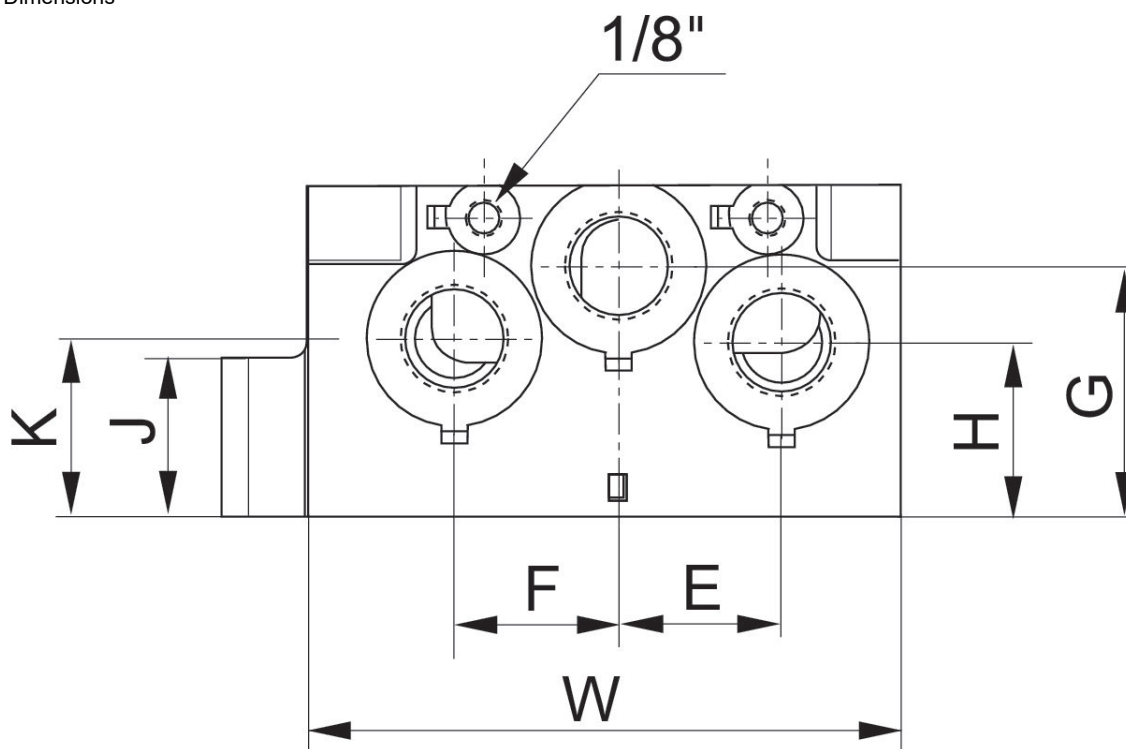
**End plate left**

ISO 5599-1



Frame size	Compressed air connection input	Compressed air connection, exhaust	Part No.
ISO 1	3/8 NPT	3/8 NPT	R432037646
ISO 2	3/4 NPT	3/4 NPT	R432037648
ISO 3	1 NPT	1 NPT	R432037650

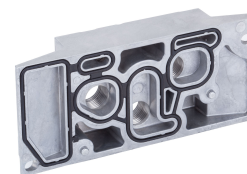
Dimensions



Part No.	E	F	G	H	J	K	W
R432037646	23	18	15.5	30	20	37.5	135
R432037648	39	39	60	41.5	38	42.5	143
R432037650	49	49	76	53	32	53	164

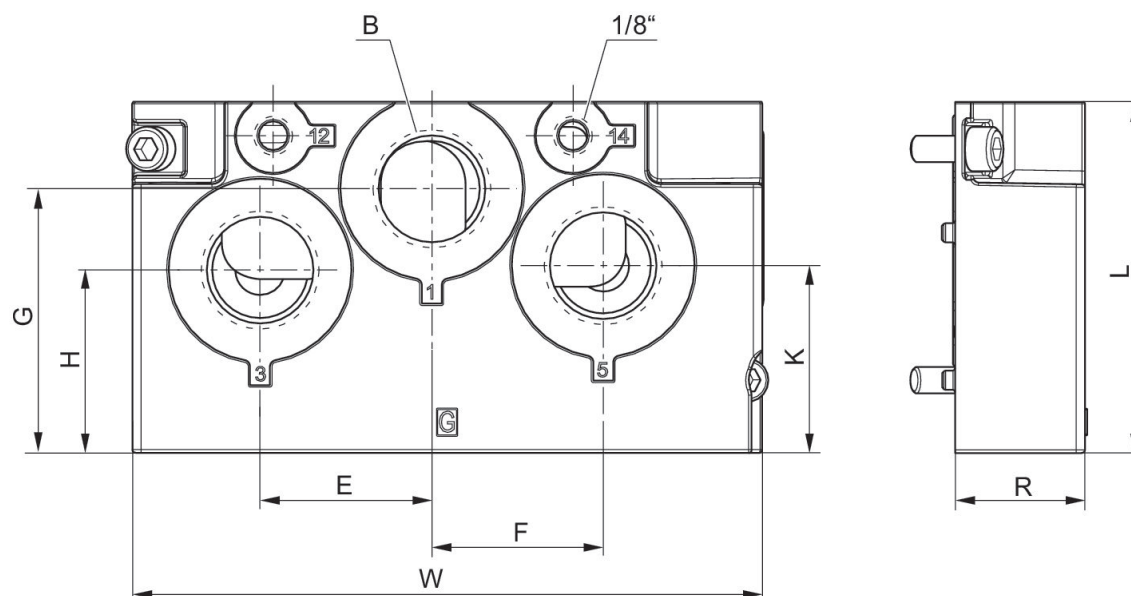
**End plate right**

ISO 5599-1



Frame size	Compressed air connection input	Compressed air connection, exhaust	Part No.
ISO 1	G 3/8	G 3/8	R432037651
ISO 2	G 3/4	G 3/4	R432037653
ISO 3	G 1	G 1	R432037655

Dimensions



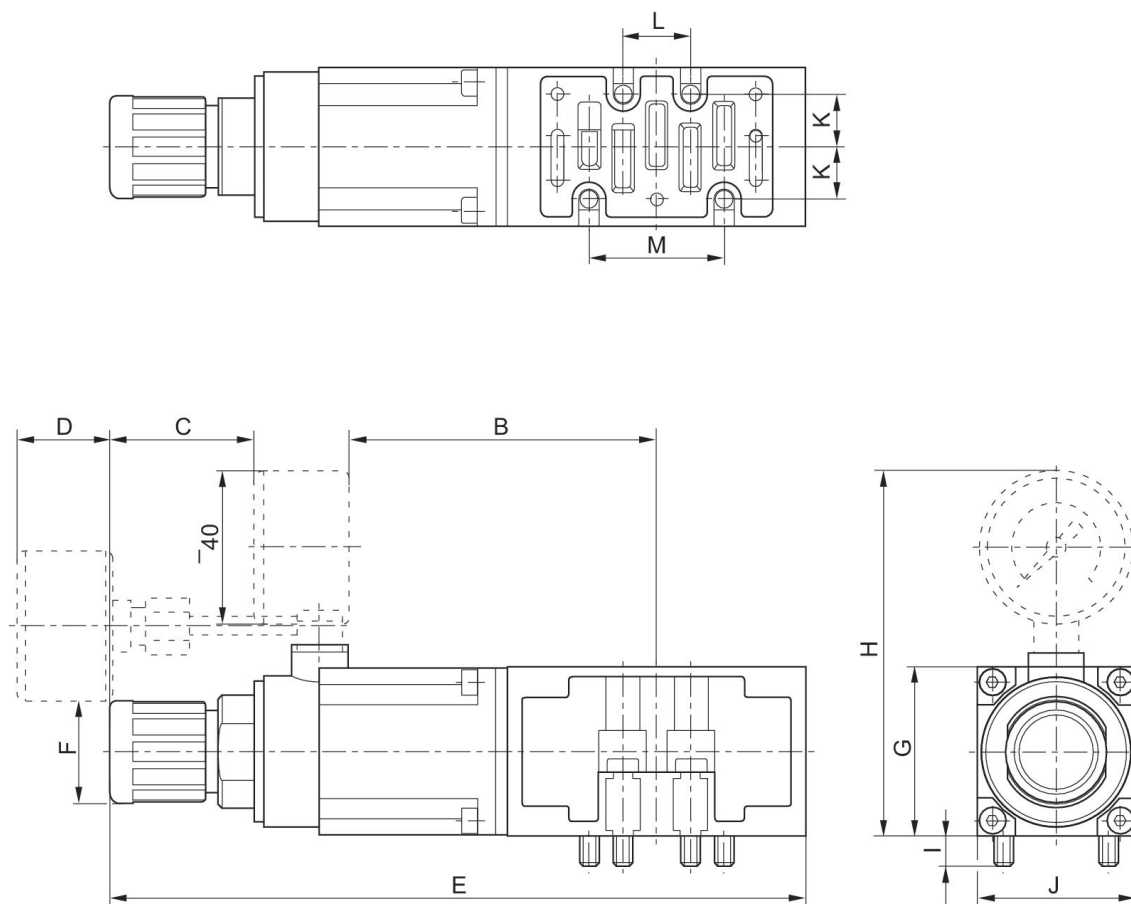
Part No.	B	E	F	G	H	J	K	R	L	W
R432037651	3/8	23	18	15.5	30	20	37.5	25	60.6	135
R432037653	3/4	39	39	60	41.5	38	42.5	29.5	79.7	143
R432037655	1	49	49	76	53	32	53	36	100	164

**Pressure regulator for vertical stacking**



Controlled port	Min. regulation range [bar]	Max. regulation range [bar]	Part No.
1	0.5	12	0821302048
1	0.5	12	0821302060
2	0.5	12	0821302054
2	0.5	12	0821302062
4	0.5	12	0821302057
4	0.5	12	0821302063

**Dimensions**



Part No.	B±5	C±5	D±5	E±7	Ø F	G±5	H±5	I±2.5	J±5	K±2.5
0821302048	82	38,6	—	186	27	45	97,5	8	42.5	14
0821302060	—	—	25	186	27	45	97,5	8	42.5	14
0821302054	82	38,5	—	199	27	45	97,5	8	42.5	14
0821302062	—	—	25	199	27	45	97,5	8	42.5	14

Part No.	L±2.5	M±5
0821302048	18	36
0821302060	18	36
0821302054	18	36
0821302062	18	36

Part No.	B±5	C±5	D±5	E±7	Ø F	G±5	H±5	I±2.5	J±5	K±2.5
0821302051	164	38,6	—	292	27	45	96,5	8	42.5	14
0821302061	—	—	25	292	27	45	—	8	42.5	14

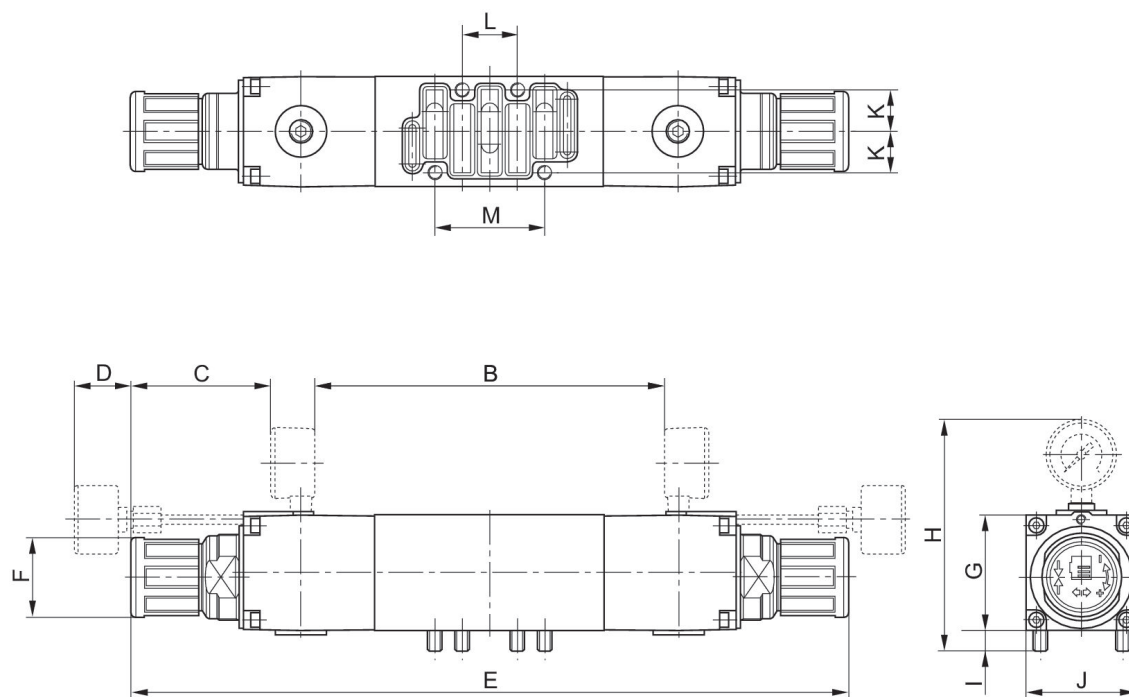
Part No.	L±2.5	M±5
0821302051	18	36
0821302061	18	36

**Pressure regulator for vertical stacking**



Controlled port	Min. regulation range [bar]	Max. regulation range [bar]	Part No.
2, 4	0.5	12	0821302051
2, 4	0.5	12	0821302061

Dimensions



Part No.	B±5	C±5	D±5	E±7	Ø F	G±5	H±5	I±2.5	J±5	K±2.5
0821302048	82	38,6	—	186	27	45	97,5	8	42.5	14
0821302060	—	—	25	186	27	45	97,5	8	42.5	14
0821302054	82	38,5	—	199	27	45	97,5	8	42.5	14
0821302062	—	—	25	199	27	45	97,5	8	42.5	14

Part No.	L±2.5	M±5
0821302048	18	36
0821302060	18	36

Part No.	L±2.5	M±5
0821302054	18	36
0821302062	18	36

Part No.	B±5	C±5	D±5	E±7	Ø F	G±5	H±5	I±2.5	J±5	K±2.5
0821302051	164	38,6	—	292	27	45	96,5	8	42.5	14
0821302061	—	—	25	292	27	45	—	8	42.5	14

Part No.	L±2.5	M±5
0821302051	18	36
0821302061	18	36

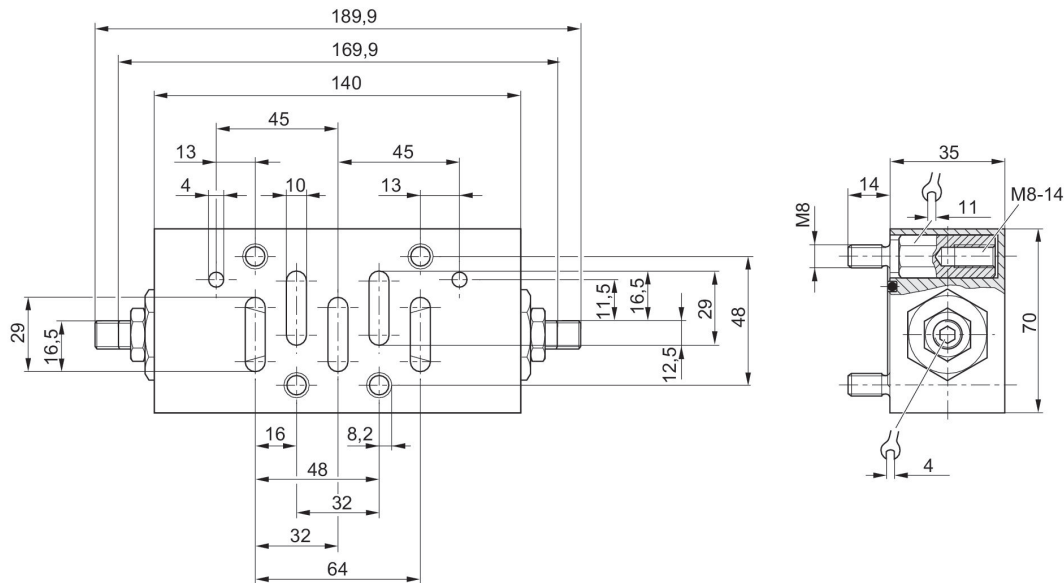
**Throttle plate**

ISO 5599-1



Frame size	Part No.
ISO 3	0821201025

Dimensions





**Accessories, for intermediate plates**

ISO 5599-1



Type	Type	Delivery unit [piece]	Part No.
Mounting screw	ISO 1	10	1827009767
O-ring, Ø 17 mm, 12x2,62	ISO 1	50	R412000918

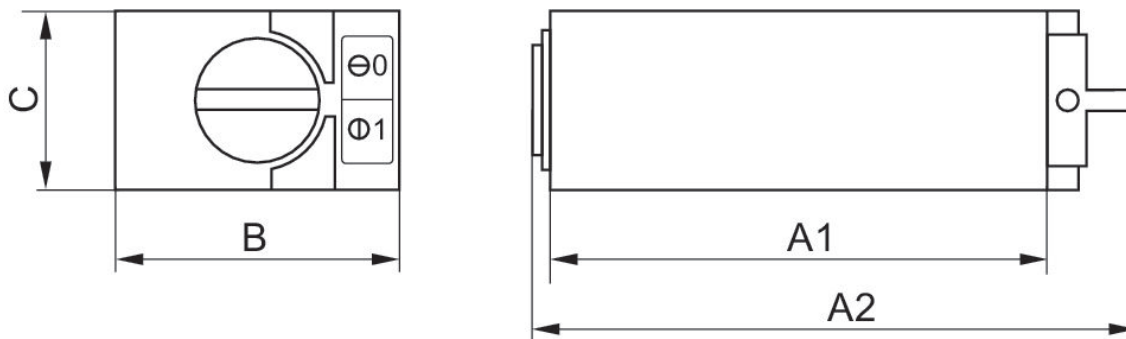
**Maintenance plate to exchange valve**

ISO 5599-1  
581



Part No.
5801590000

Dimensions



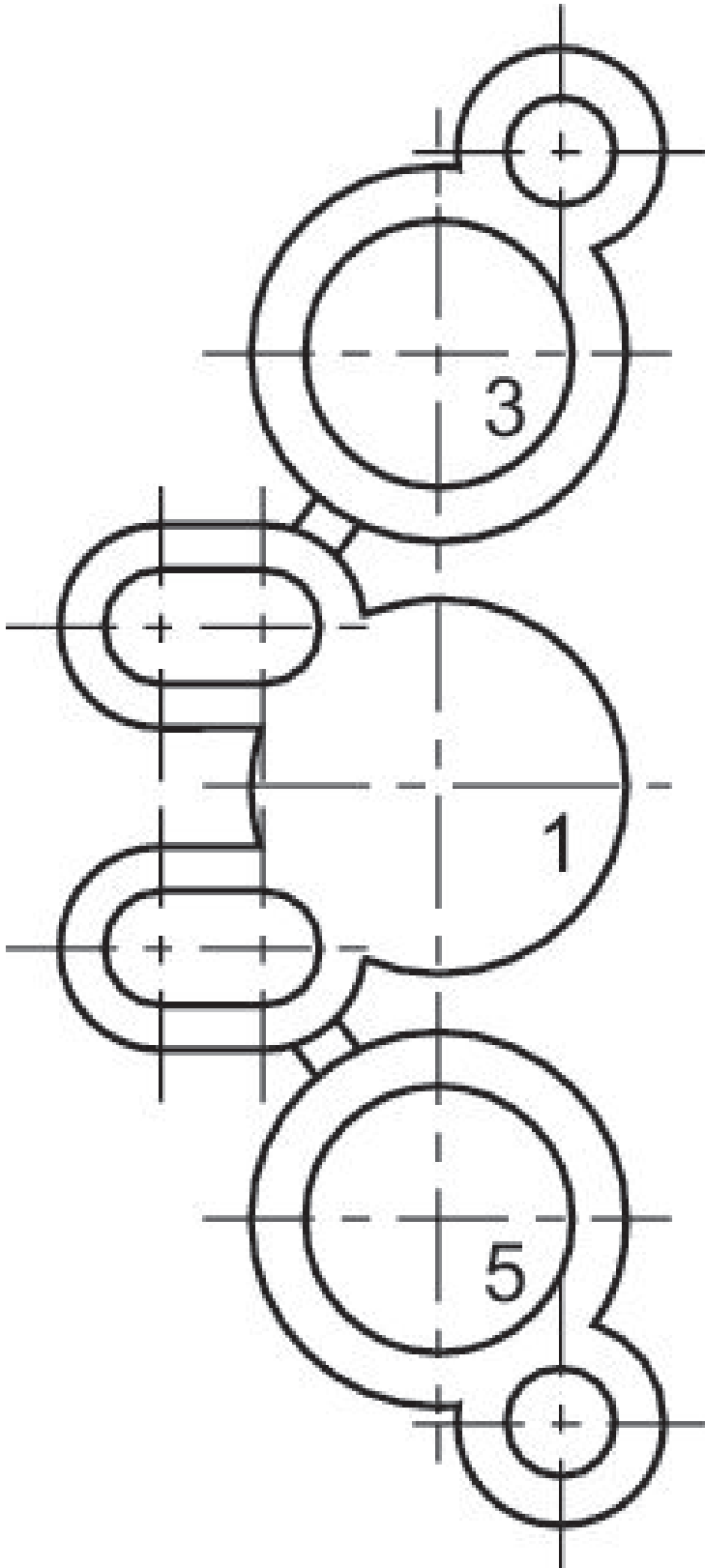
Part No.	A1	A2	B	C
5801590000	70	85	40	25

**Seal for supply plate**

ISO 5599-1



Type	Delivery unit [piece]	Part No.
Molded seal, separate channel 1, connect channels 5 and 3	10	1821015047

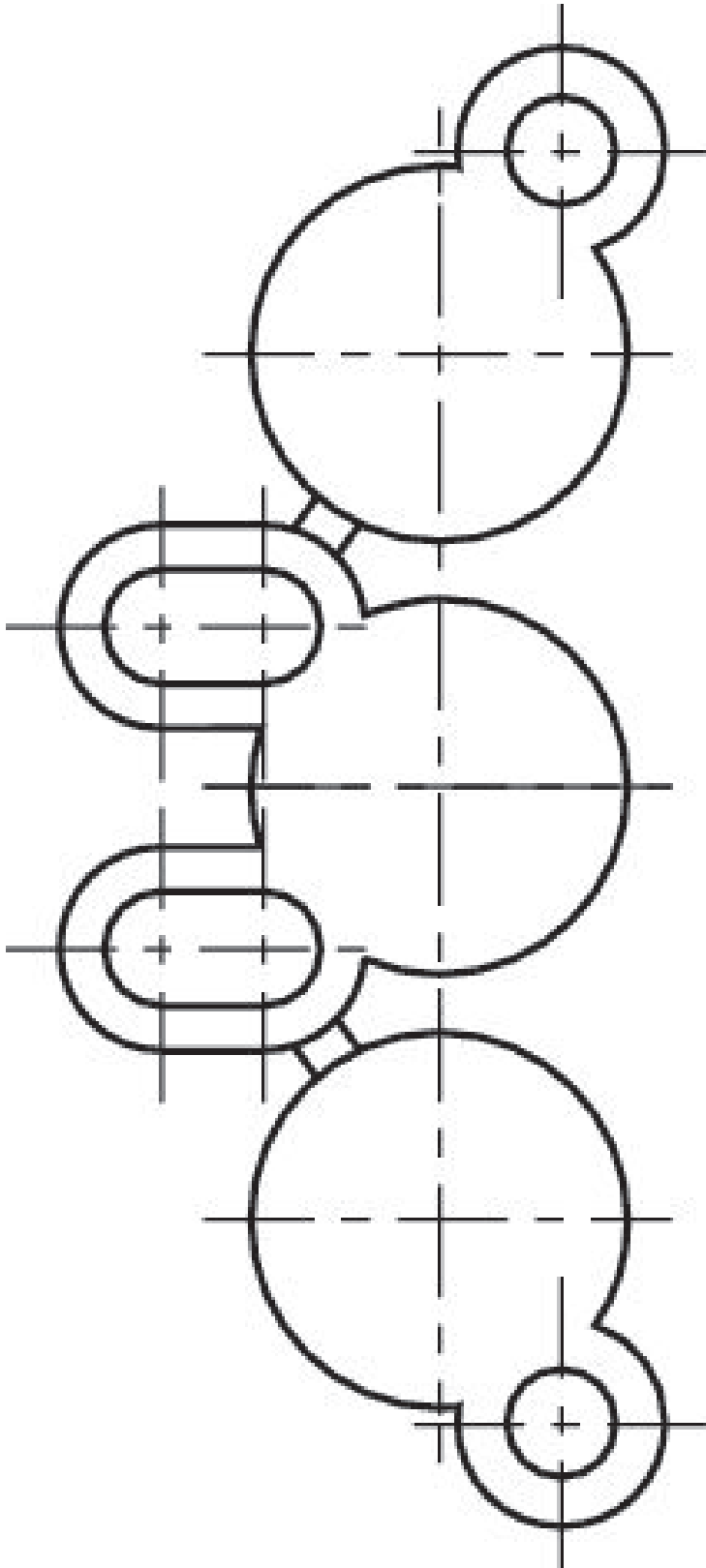


**Seal for supply plate**

ISO 5599-1



Type	Delivery unit [piece]	Part No.
Molded seal, separate channels 1, 3 and 5	1	1821015043



**Valve cover seal, Valve housing seal**

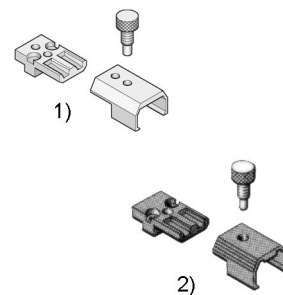
581



Type	Part No.
Valve cover seal, electrically operated valves	0490429808
Valve cover seal, pneumatically operated valves	0490429905
Valve housing seal, between housing and base plate	0486715103

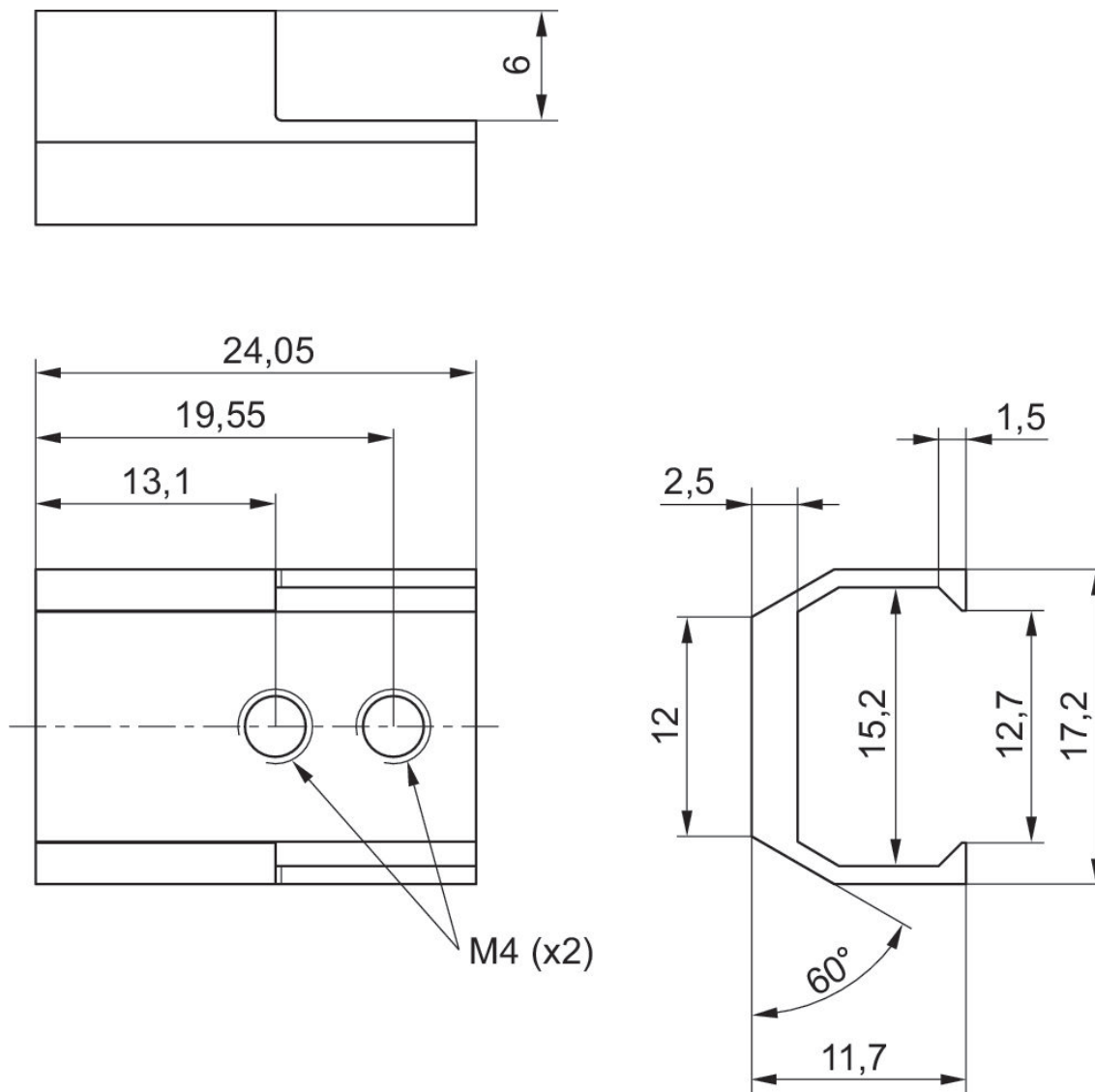
**Control unit for manual override**

581



Type	Part No.
for double-sided electrically actuated valves, 15 pilot valve width	0493835718

Dimensions





**Blanking piece**



Type	Type	Part No.
Blanking piece	ISO 1	R432038306
Blanking piece	ISO 2	R432037662
Blanking piece	ISO 3	R432037663

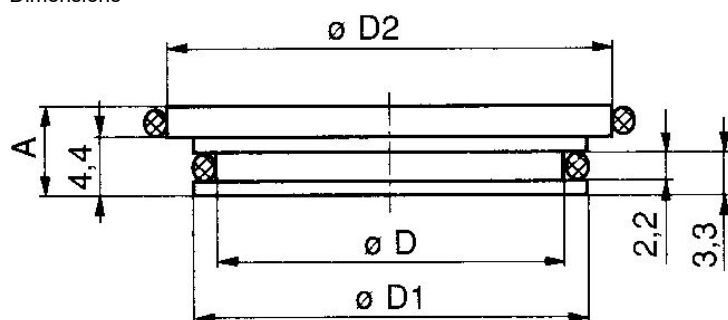
**Blanking piece, Subbases ISO 5599-1**

ISO 5599-1



Type	Part No.
ISO 1	8985049012
ISO 2	8985049022
ISO 3	8985049032

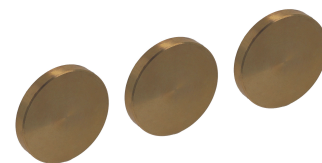
Dimensions



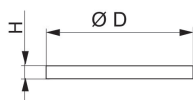
Part No.	A	D	D1	D2
8985049012	6.2	12.2	14.8	16.5
8985049022	6.2	15.7	18.3	23
8985049032	6.9	25.1	27.7	30

**Separator set**

ISO 5599-1



Type	Type	Delivery unit [piece]	Part No.
a	ISO 1	3	5801880000
b	ISO 1, ISO 2	3	5802880000
c	ISO 2, ISO 3	3	5803880000
d	ISO 3, ISO 4	3	5804880000



Part No.	D	H
5801880000	13,2	2
5802880000	17,2	2
5803880000	20,5	2,2
5804880000	24,5	2,2

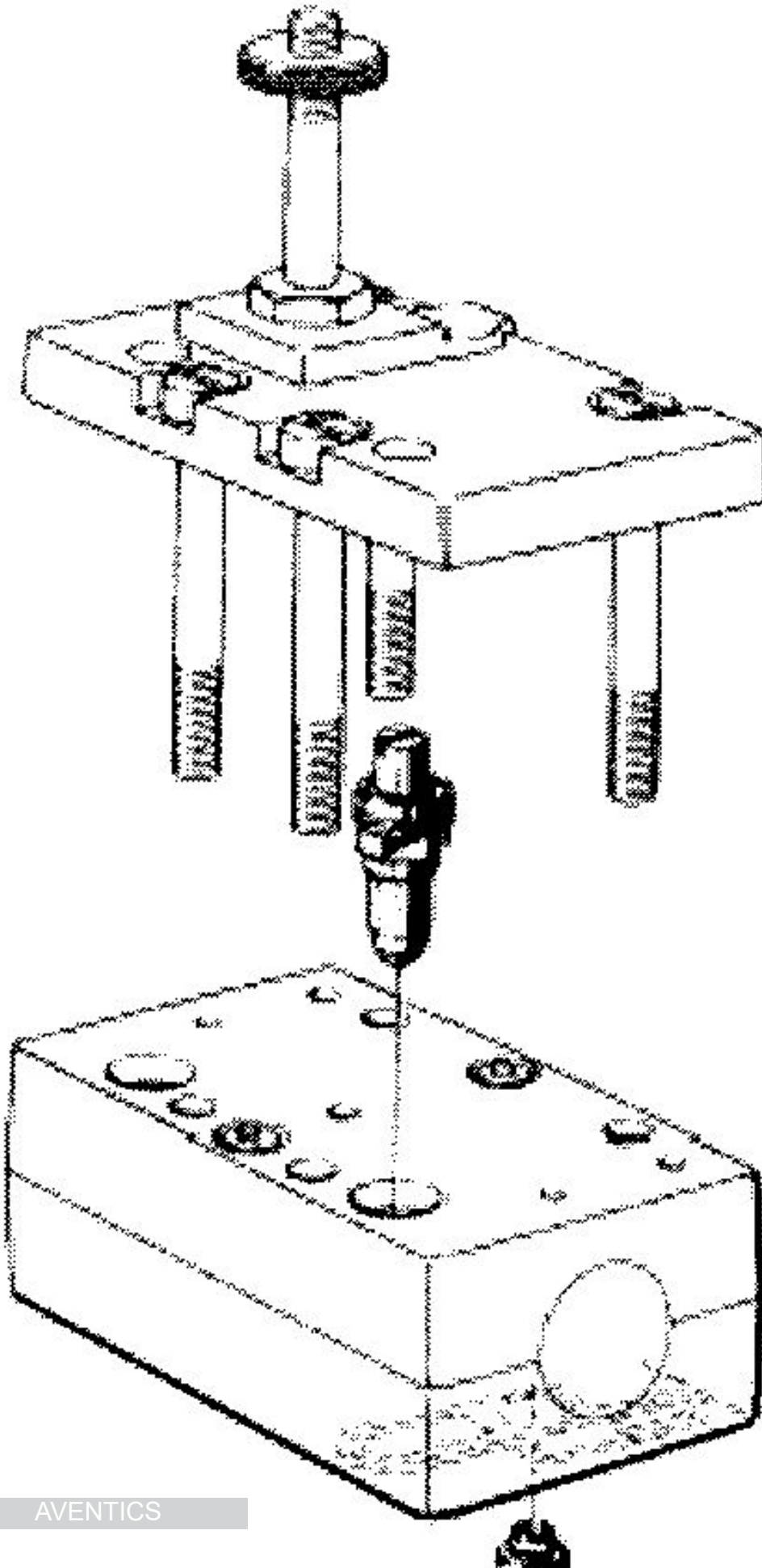
**throttle insert for flow control, Port 3/5**

581



Part No.
5811001000

Dimensions



**plug set for flow control screws**

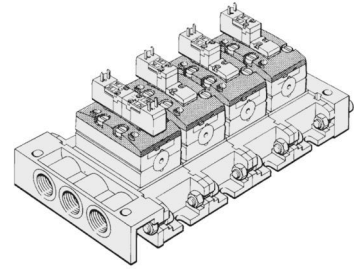
581



Part No.
5811000000

**valve cover, with or without pilot valve**

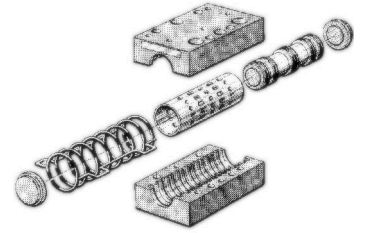
ISO 5599-1  
581



Type	Part No.
5/2-directional valve, single solenoid	0493842501
2x3/2-, 5/2-, 5/3-directional valve	0493842609
5/2-directional valve, mono-stable	5811010000
2x3/2-, 5/2-, 5/3-directional valve	5811020000
5/2-directional valve, mono-stable	5811050000
2x3/2-, 5/2-, 5/3-directional valve	5811060000
all	5811080000

**valve housing, without cover**

ISO 5599-1  
581

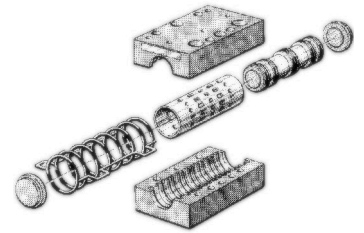


Type	Part No.
5/2-directional valve, mono-stable	5811100000
5/2-directional valve, double solenoid	5811200000
5/2-directional valve, double solenoid, with manual override	5811300000
5/3-directional valve, closed center	5811400000
5/3-directional valve, exhausted center	5811500000
5/2-way solenoid valve, with differential piston	5811600000
5/3-directional valve, pressurized center	5811700000



**valve housing, without cover**

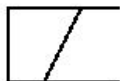
ISO 5599-1  
581



Type	Part No.
2x3/2-way solenoid valve	R402002299
5/2-directional valve, mono-stable	R402002292
5/2-directional valve, double solenoid	R402002293
5/2-directional valve, double solenoid, with manual override	R402002294
5/2-way solenoid valve, with differential piston	R402002297
5/3-directional valve, closed center	R402002295
5/3-directional valve, pressurized center	R402002298
5/3-directional valve, exhausted center	R402002296

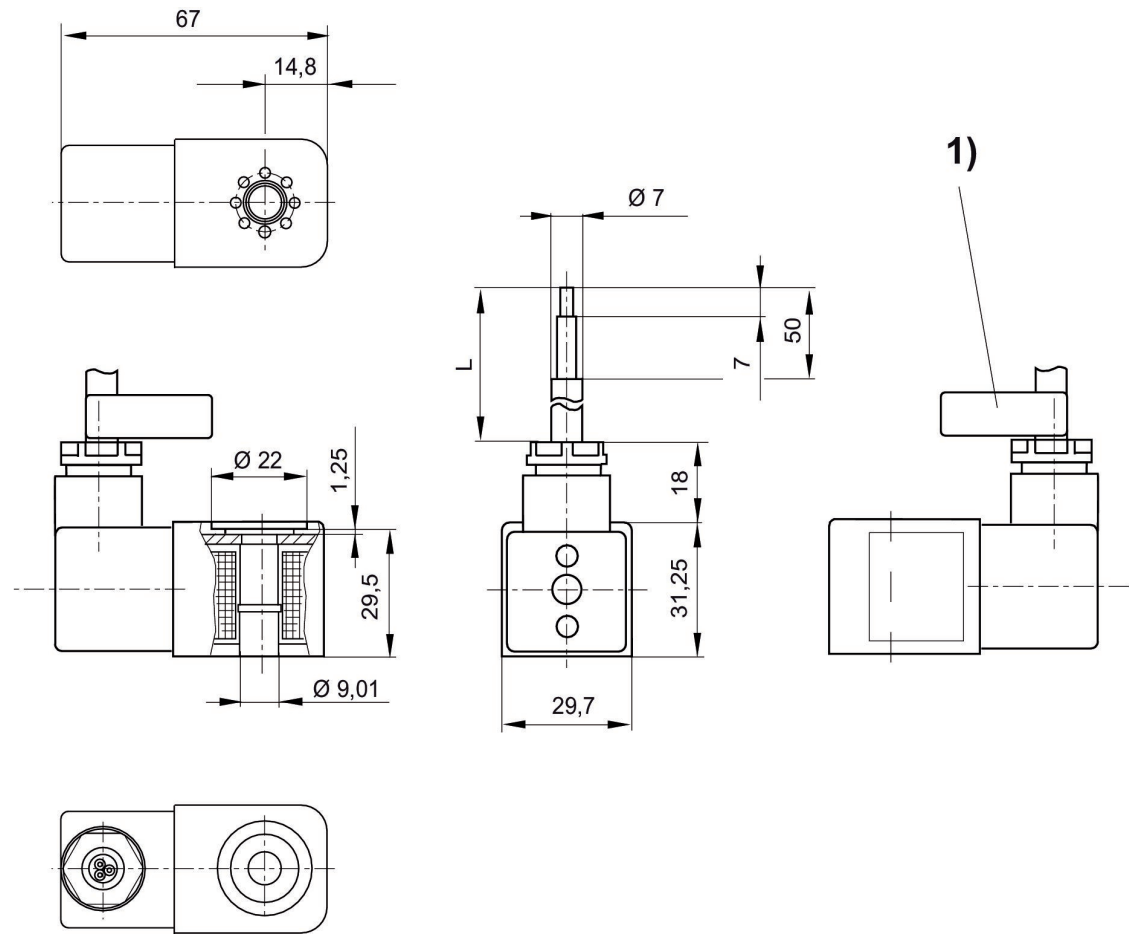
**Coil, Series CO1**

ATEX



Operational voltage	Operational voltage AC at 50 Hz	Operational voltage AC at 60 Hz	Voltage tolerance DC	Voltage tolerance AC 50 Hz	Power consumption DC [W]	Holding power AC 50 Hz [VA]	Switch-on power AC 50 Hz [VA]	Cable length [m]	Compatibility index	Part No.
	230 V	230 V		-10% / +10%		3	3.1	3	14	1827414297
	230 V	230 V		-10% / +10%		3	3.1	10	14	1827414298
	110 V	110 V		-10% / +10%		2.9	3	3	14	1827414299
	24 V	24 V		-10% / +10%		2.9	3	3	14	1827414301
24 V			-10% / +10%		3.25			3	14	1827414303
24 V			-10% / +10%		3.25			10	14	1827414304

Dimensions



L = cable length  
1) Cable ID band with serial number

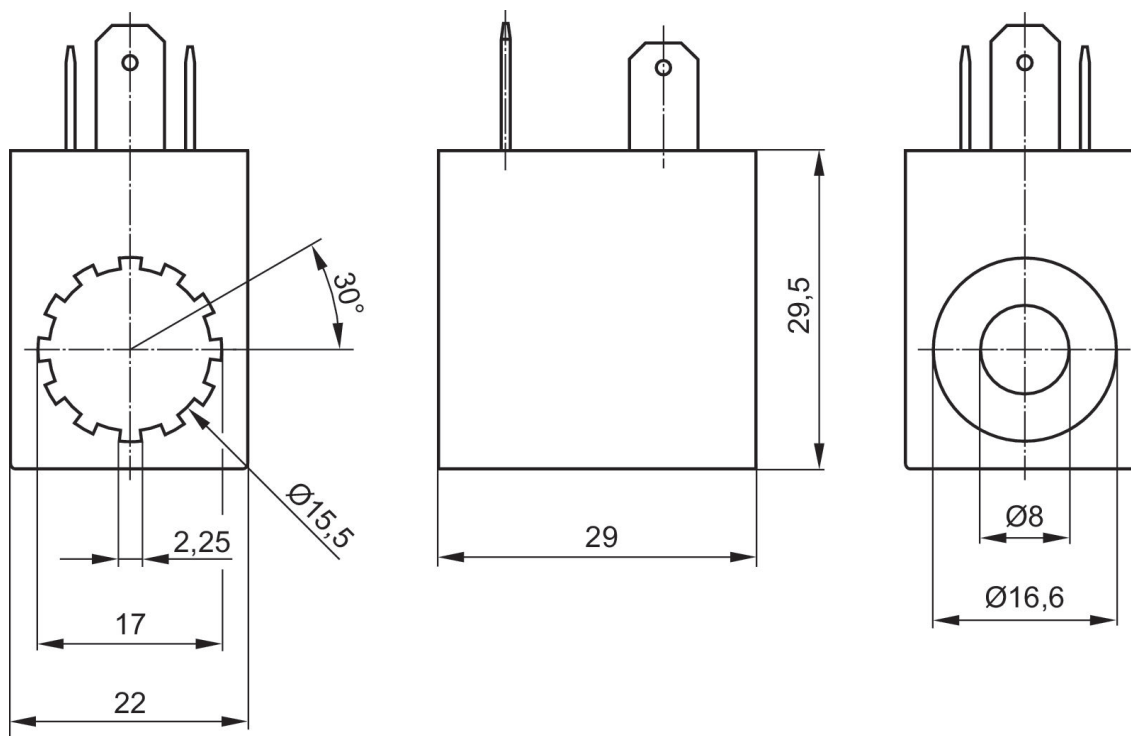
**Coil, Series CO1**

Plug  
Form B, industry



Operational voltage	Operational voltage AC at 50 Hz	Voltage tolerance DC	Voltage tolerance AC 50 Hz	Power consumption DC [W]	Holding power AC 50 Hz [VA]	Switch-on power AC 50 Hz [VA]	Part No.
12 V				5			0498317405
24 V		-10% / +10%		5			0498317502
24 V		-10% / +10%		2			0498318800
48 V				5			0498317618
110 V		-10% / +10%		5			0498317707
220 V		-10% / +10%		5			0498317804
	24 V		-10% / +10%		8	10	0498316905
	48 V		-10% / +10%		8	10	0498317006
	110 V		-10% / +10%		8	10	0498317103
	230 V		-10% / +10%		8	10	0498322506

Dimensions

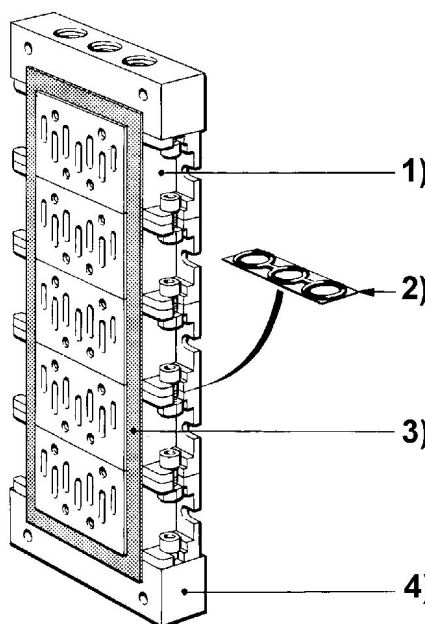
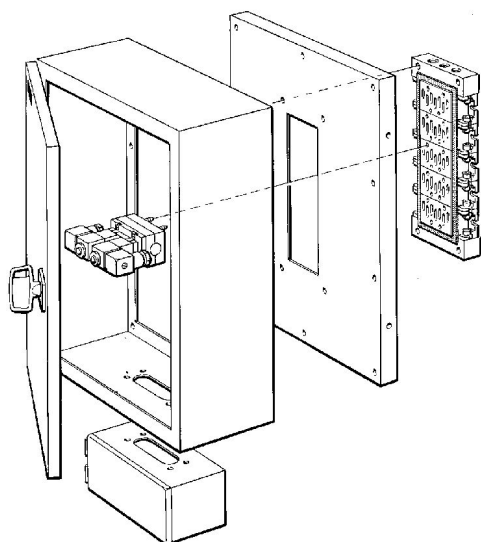


**Mecproof, cabinet mounting**

ISO 5599-1  
581



Type	Delivery unit [piece]	Part No.
Intermediate plate for soft-start valve series 583		5802960000
Intermediate plate sealing		5802970000
Sealing strip incl. assembly instructions	10	5802980000
End plate		5802950000



1) intermediate plate 2) intermediate plate gasket 3) sealing strip 4) end plate

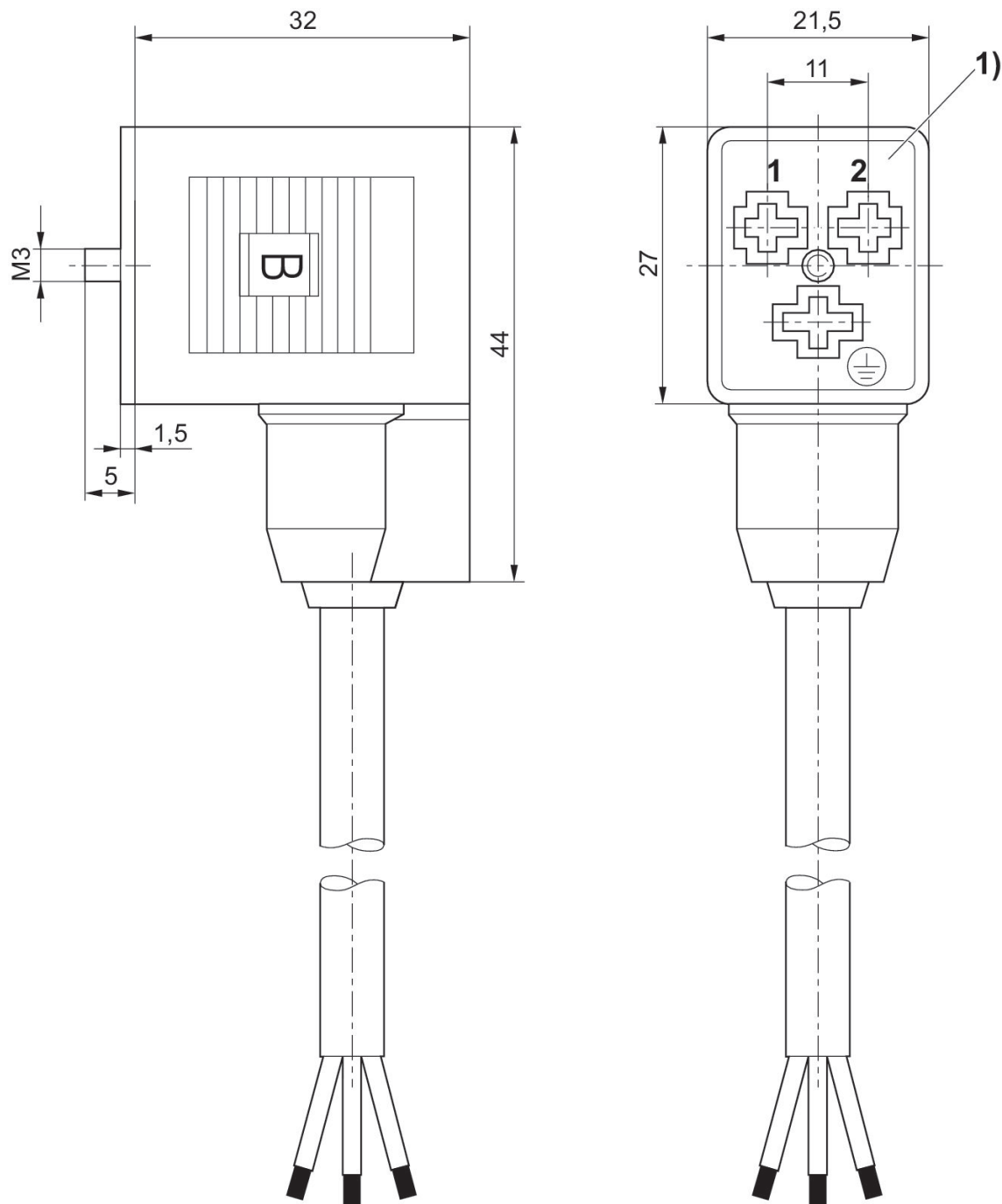
**Valve plug connector, series CON-VP**

Form B, industry



Max. current [A]	Contact assignment	Cable-Ø [mm]	Cable length [m]	Part No.
4	2+E	5.9	3	8946201912

Dimensions



1) 0° female insert

**Valve plug connector, series CON-VP**

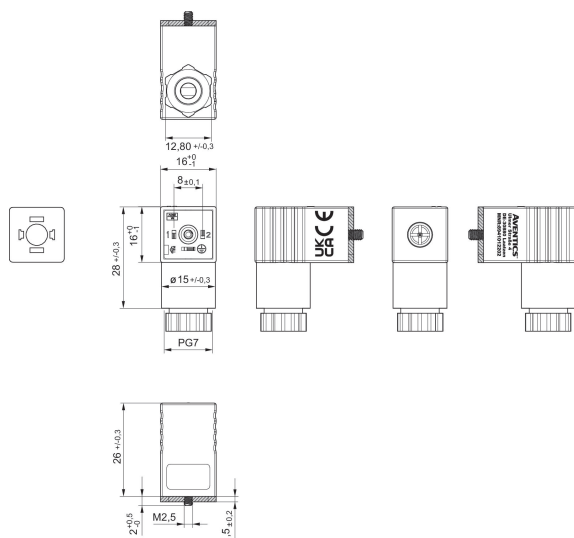
EN 175301-803, form C  
CE declaration of conformity  
UKCA



Operational voltage	Protective circuit	Max. current [A]	Contact assignment	LED status display	min. suitable cable Ø [mm]	max. suitable cable Ø [mm]	Part No.
300 V DC / 250 V AC		6	2+E		4	6	8941012202
24 V AC/DC	Varistor	1.5	2+E	Green	4	6	4402050330

**8941012202**

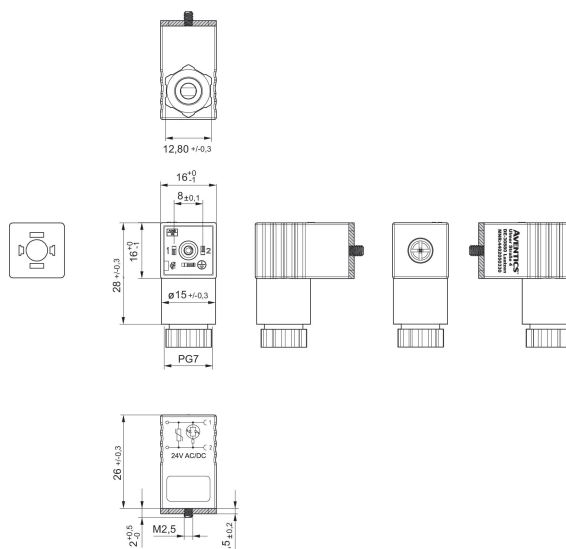
Dimensions



Flat gasket

**4402050330**

Dimensions



Flat gasket



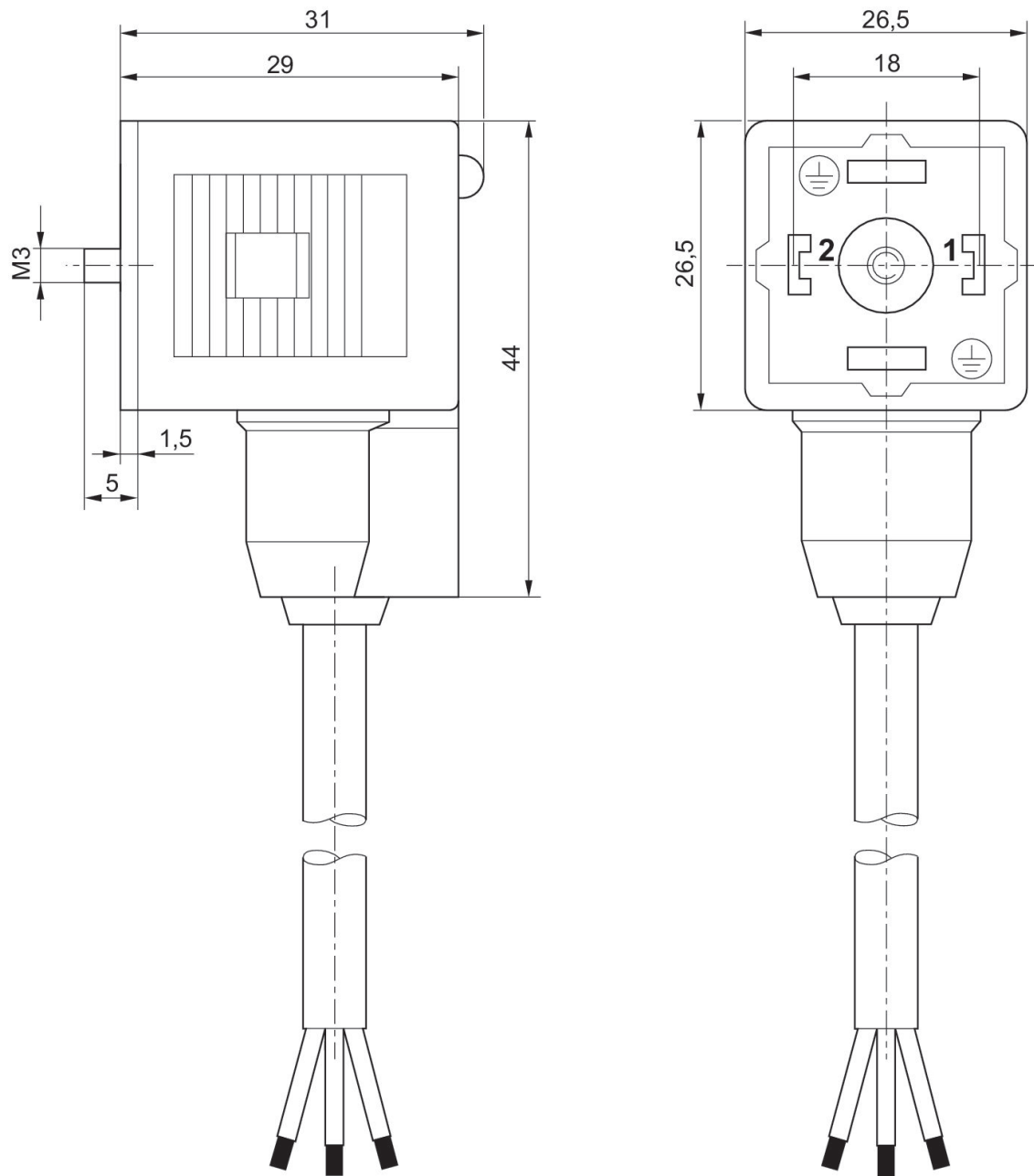
**Valve plug connector, series CON-VP**

form A



Operational voltage	Protective circuit	Contact assignment	LED status display	Cable-Ø [mm]	Cable length [m]	Part No.
24 V AC/DC	Z-diode	2+E	Yellow	5.9	3	1834484162
24 V AC/DC	Z-diode	2+E	Yellow	5.9	5	1834484163
230 V AC/DC	Varistor	2+E	Red	5.9	3	1834484164
230 V AC/DC	Varistor	2+E	Red	5.9	5	1834484165

Dimensions



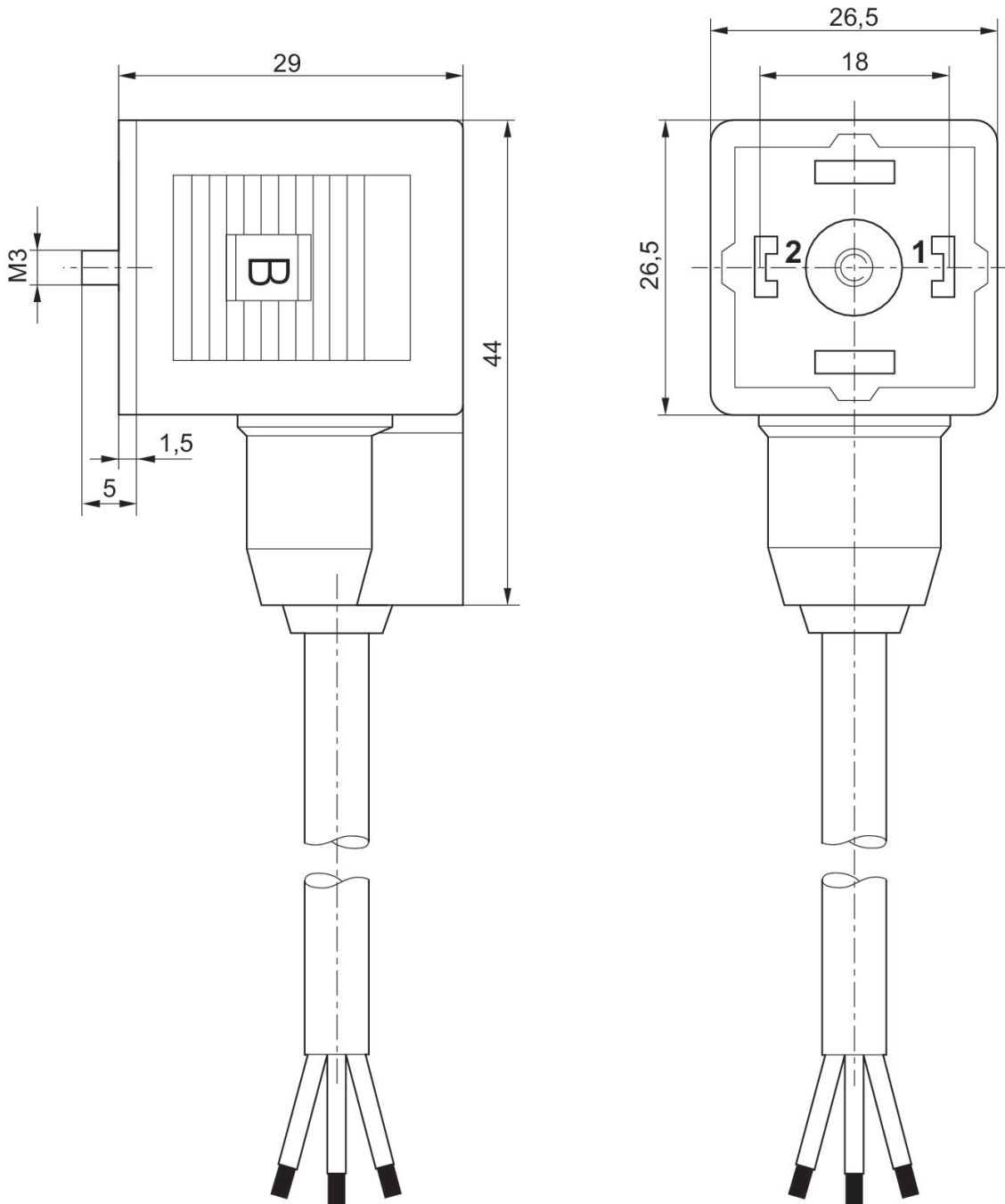
**Valve plug connector, series CON-VP**

form A



Operational voltage	Contact assignment	Cable-Ø [mm]	Cable length [m]	Part No.
230 V AC/DC	2+E	5.9	3	1834484160

Dimensions



**Valve plug connector, series CON-VP**

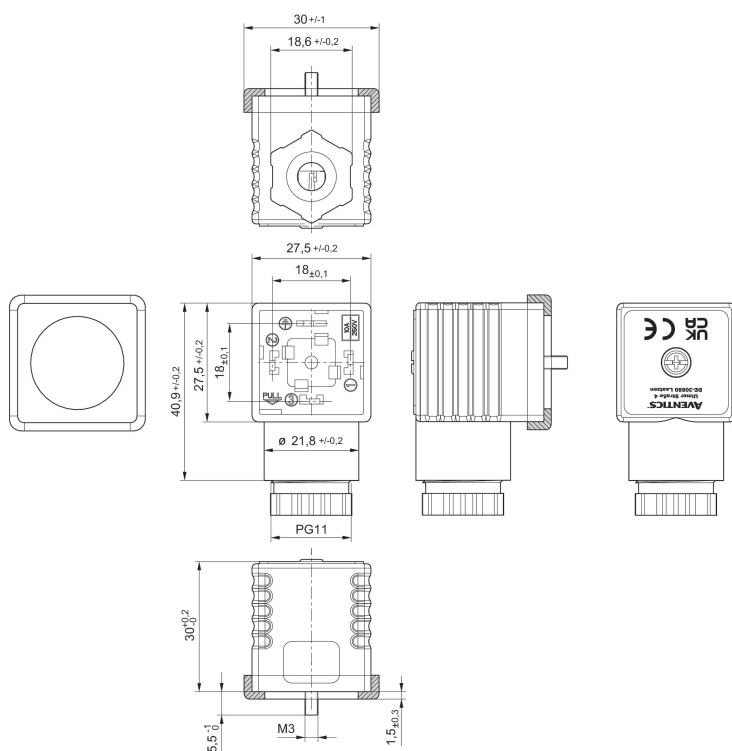
EN 175301-803, form A  
CE declaration of conformity  
UKCA



Operational voltage	Max. current [A]	Contact assignment	min. suitable cable Ø [mm]	max. suitable cable Ø [mm]	Part No.
300 V DC / 250 V AC	10	2+E	4	9.5	1834484048

**1834484048**

Dimensions



Profile seal

**Valve plug connector, series CON-VP**

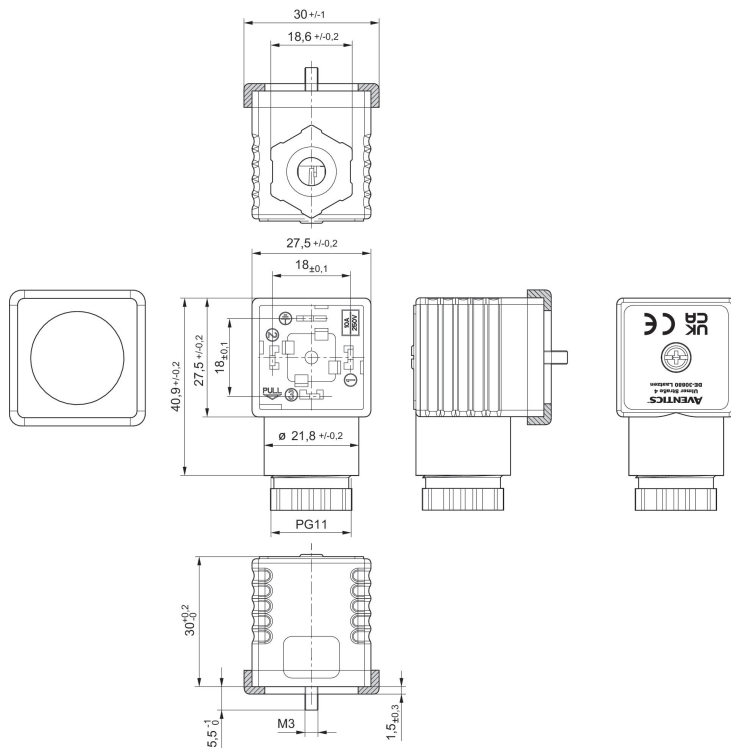
EN 175301-803, form A  
CE declaration of conformity  
UKCA



Operational voltage	Max. current [A]	Contact assignment	min. suitable cable Ø [mm]	max. suitable cable Ø [mm]	Part No.
300 V DC / 250 V AC	10	3+E	4	9.5	1834484059

**1834484059**

Dimensions



Profile seal

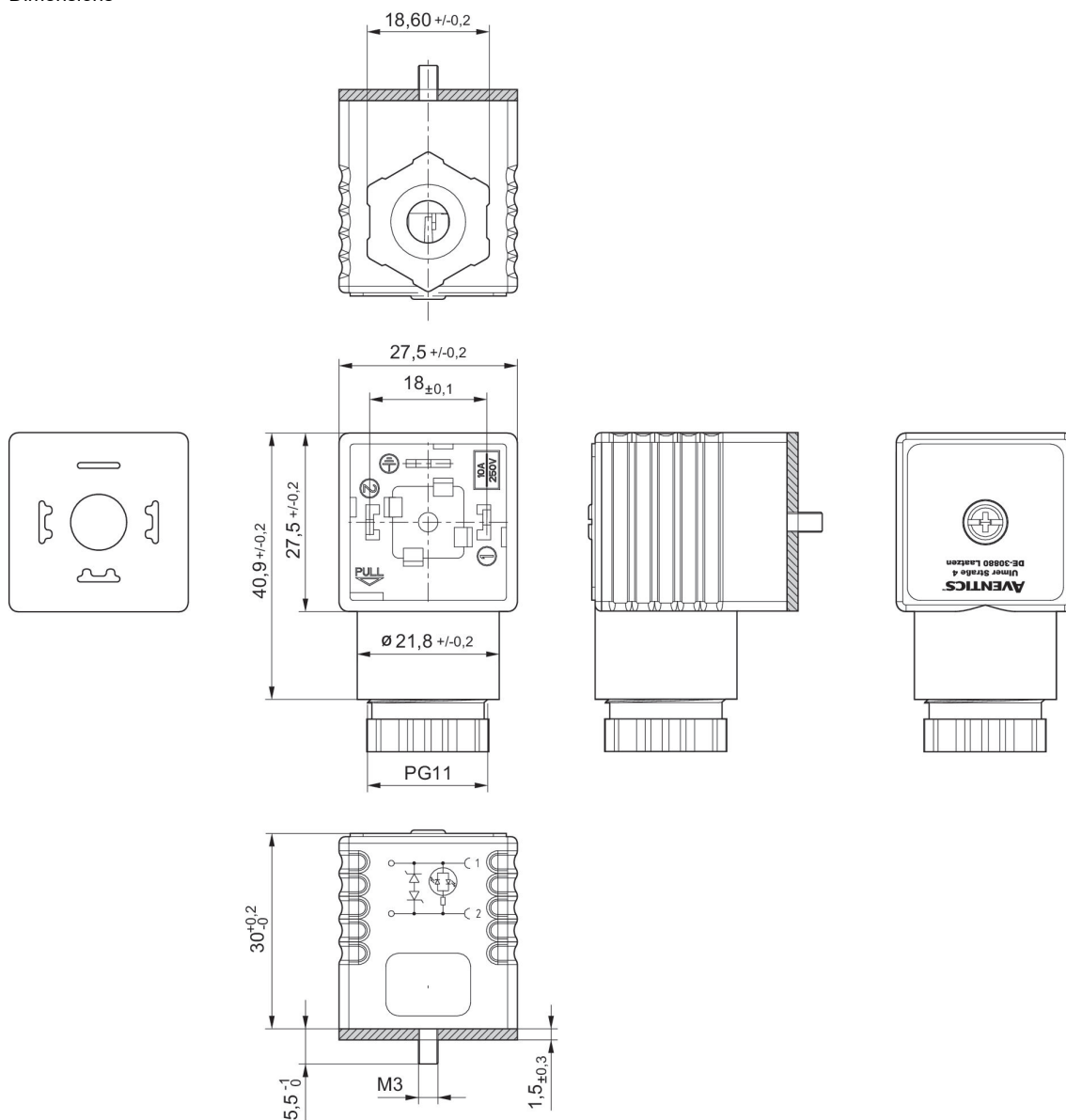
**Valve plug connector, series CON-VP**

EN 175301-803, form A  
CE declaration of conformity  
UKCA



Operational voltage	Protective circuit	Contact assignment	LED status display	min. suitable cable Ø [mm]	max. suitable cable Ø [mm]	Part No.
115 V AC/DC	Varistor	2+E	Red	6.5	9.5	1834484102
230 V AC/DC	Varistor	2+E	Red	6.5	9.5	1834484103

Dimensions



Flat gasket



**Valve plug connector, series CON-VP**

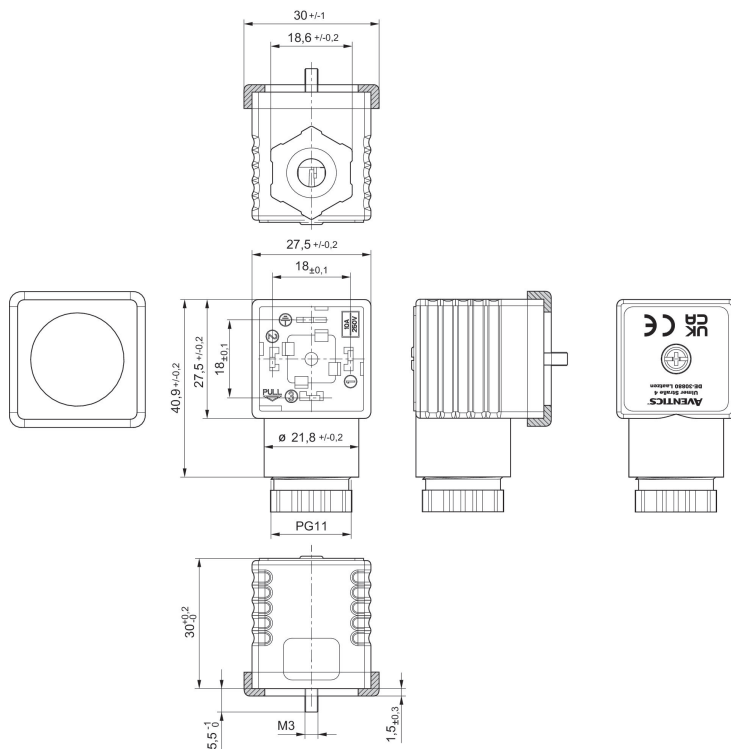
EN 175301-803, form A  
CE declaration of conformity  
UKCA



Operational voltage	Protective circuit	Contact assignment	LED status display	min. suitable cable Ø [mm]	max. suitable cable Ø [mm]	Part No.
230 V AC/DC	Varistor	2+E	Green	6.5	9.5	8941016112

**8941016112**

Dimensions



Profile seal

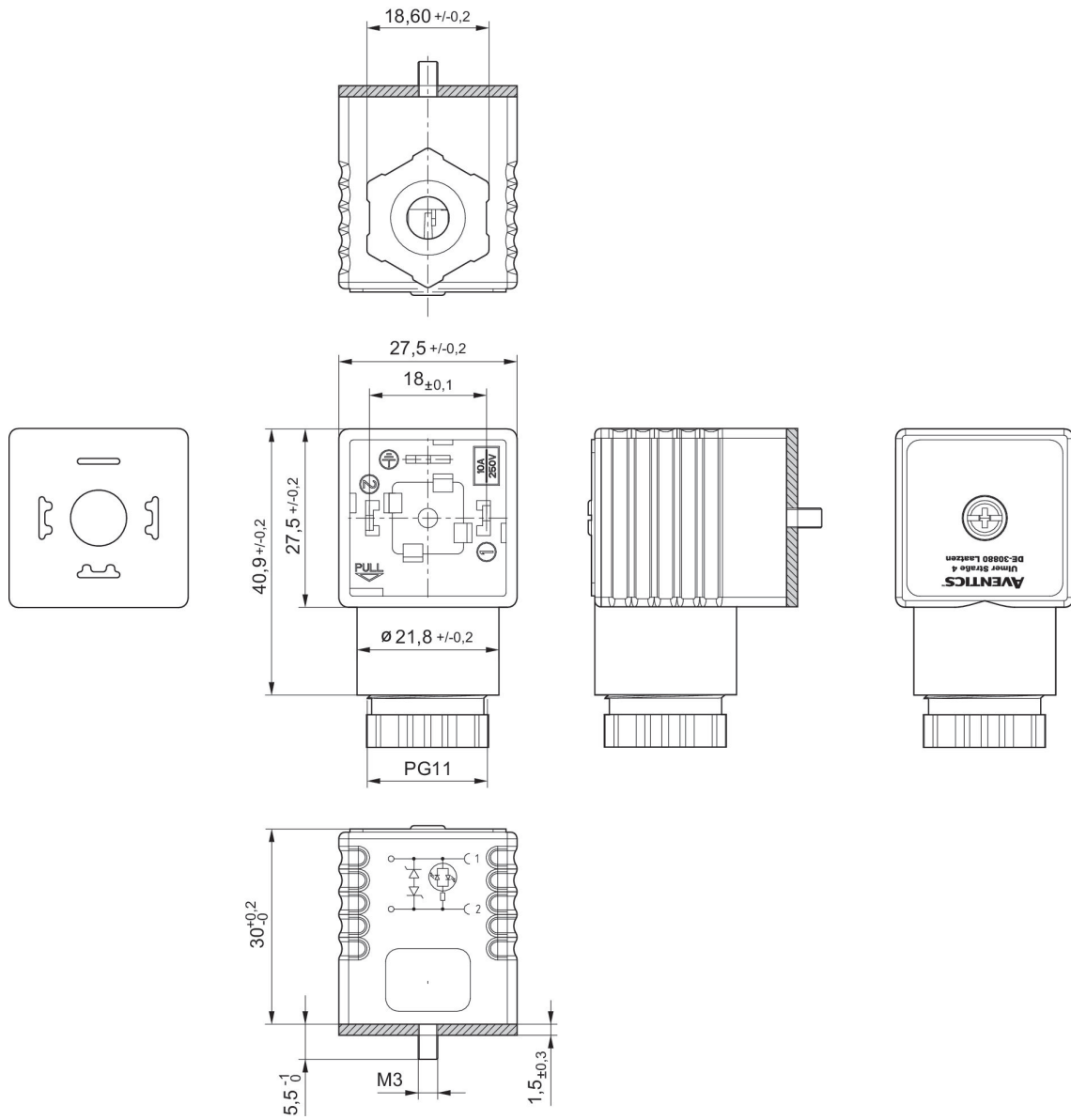
**Valve plug connector, series CON-VP**

EN 175301-803, form A



Operational voltage	Protective circuit	Max. current [A]	Contact assignment	LED status display	min. suitable cable Ø [mm]	max. suitable cable Ø [mm]	Part No.
24 V AC/DC	2 Z-diodes	1.5	2+E	Yellow	4	9.5	1834484101

Dimensions



Flat gasket

**Valve plug connector, series CON-VP**

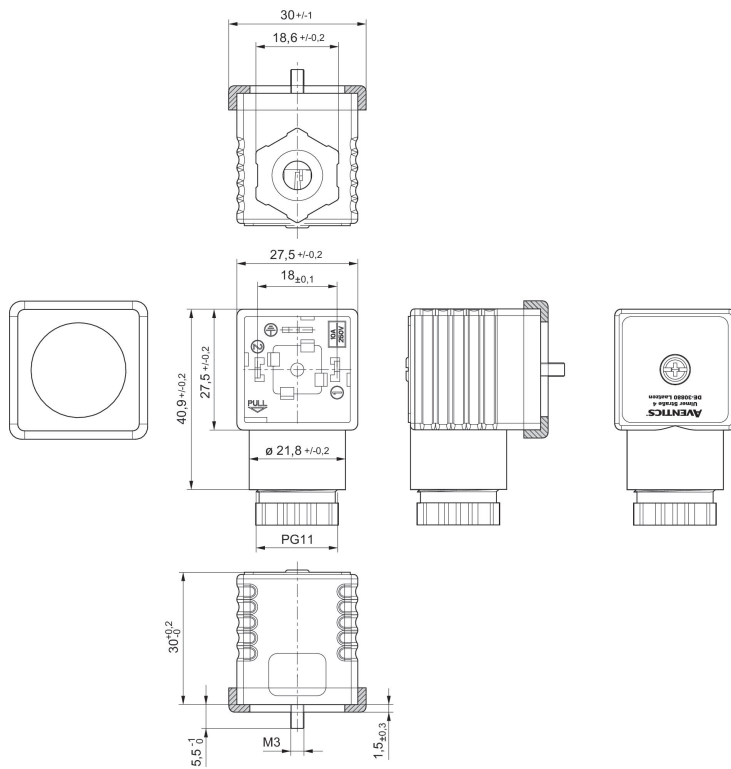
EN 175301-803, form A



Operational voltage	Protective circuit	Max. current [A]	Contact assignment	LED status display	min. suitable cable Ø [mm]	max. suitable cable Ø [mm]	Part No.
24 V AC/DC	Varistor	1.5	2+E	Green	4	9.5	8941016102

**8941016102**

Dimensions



Profile seal

**Valve plug connector, series CON-VP**

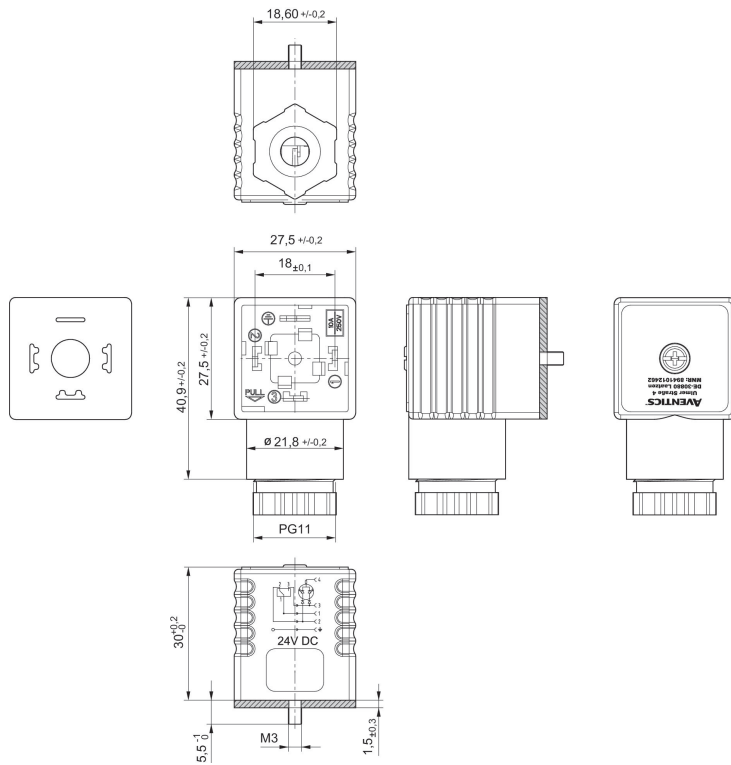
EN 175301-803, form A



Operational voltage	Protective circuit	Max. current [A]	Contact assignment	LED status display	min. suitable cable Ø [mm]	max. suitable cable Ø [mm]	Part No.
24 V DC	2 diodes (1 A)	1	3+E	green/red	4	9.5	8941012462

**8941012462**

Dimensions



Flat gasket

**Valve plug connector, series CON-VP**

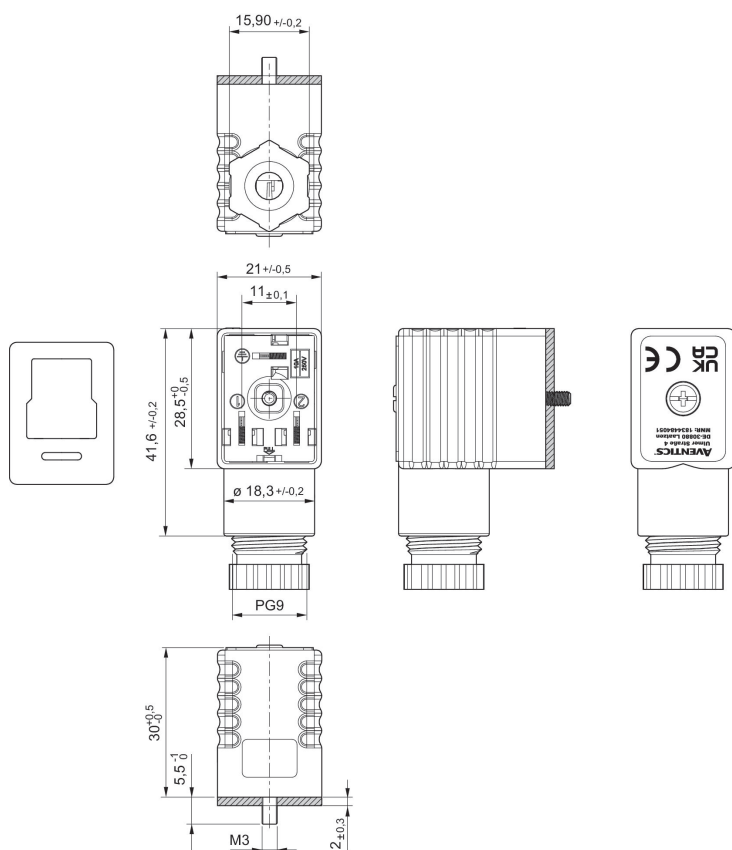
Form B, industry  
CE declaration of conformity  
UKCA



Operational voltage	Max. current [A]	Contact assignment	min. suitable cable Ø [mm]	max. suitable cable Ø [mm]	Part No.
300 V DC / 250 V AC	10	2+E	4	8	1834484051

**1834484051**

Dimensions



Flat gasket

**Valve plug connector, series CON-VP**

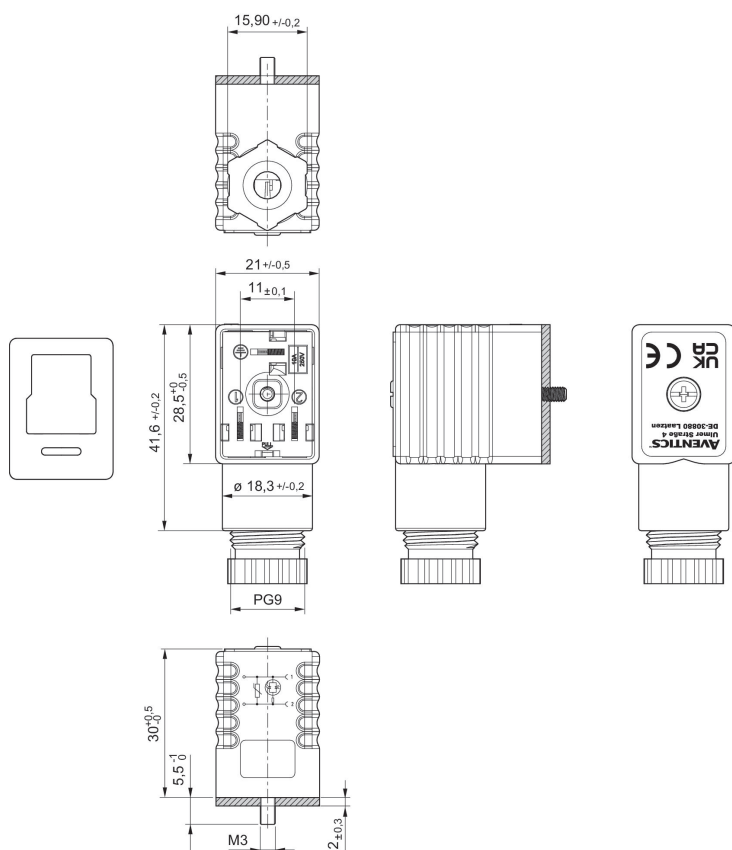
Form B, industry  
CE declaration of conformity  
UKCA



Operational voltage	Protective circuit	Max. current [A]	Contact assignment	LED status display	min. suitable cable Ø [mm]	max. suitable cable Ø [mm]	Part No.
115 V AC/DC	Varistor	1.5	2+E	Red	4	8	1834484108
230 V AC/DC	Varistor	1.5	2+E	Red	4	8	1834484109

**1834484108, 1834484109**

Dimensions



Flat gasket

**Valve plug connector, series CON-VP**

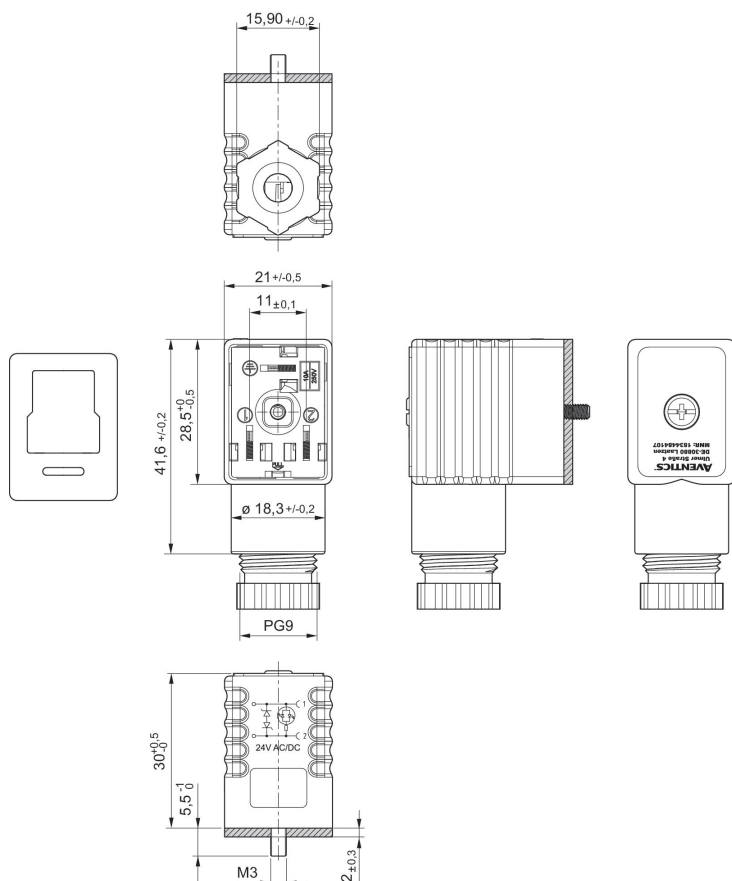
Form B, industry



Operational voltage	Protective circuit	Max. current [A]	Contact assignment	LED status display	min. suitable cable Ø [mm]	max. suitable cable Ø [mm]	Part No.
24 V AC/DC	2 Z-diodes	1.5	2+E	Yellow	4	8	1834484107

**1834484107**

Dimensions



Flat gasket



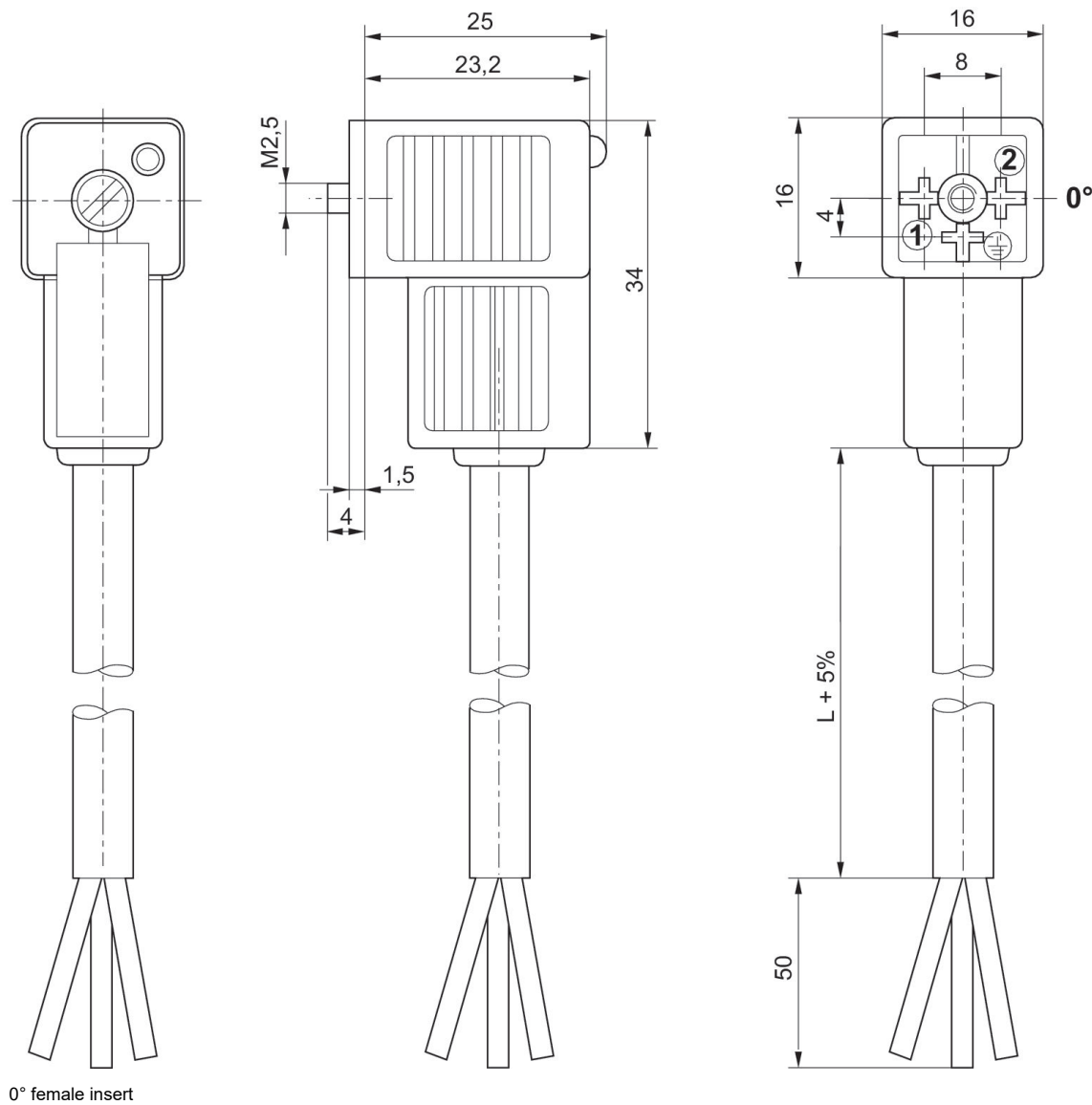
**Valve plug connector, series CON-VP**

form C



Operational voltage	Protective circuit	Max. current [A]	Contact assignment	LED status display	Cable-Ø [mm]	Cable length [m]	Part No.
230 V AC/DC		6	2+E		5.9	3	1834484212
230 V AC/DC		6	2+E		5.9	5	1834484214
24 V AC/DC	Z-diode	6	2+E	Yellow	5.9	3	1834484204
24 V AC/DC	Z-diode	6	2+E	Yellow	5.9	5	1834484206
230 V AC/DC	Varistor	6	2+E	Yellow	5.9	3	1834484208
230 V AC/DC	Varistor	6	2+E	Yellow	5.9	5	1834484210

Dimensions



0° female insert

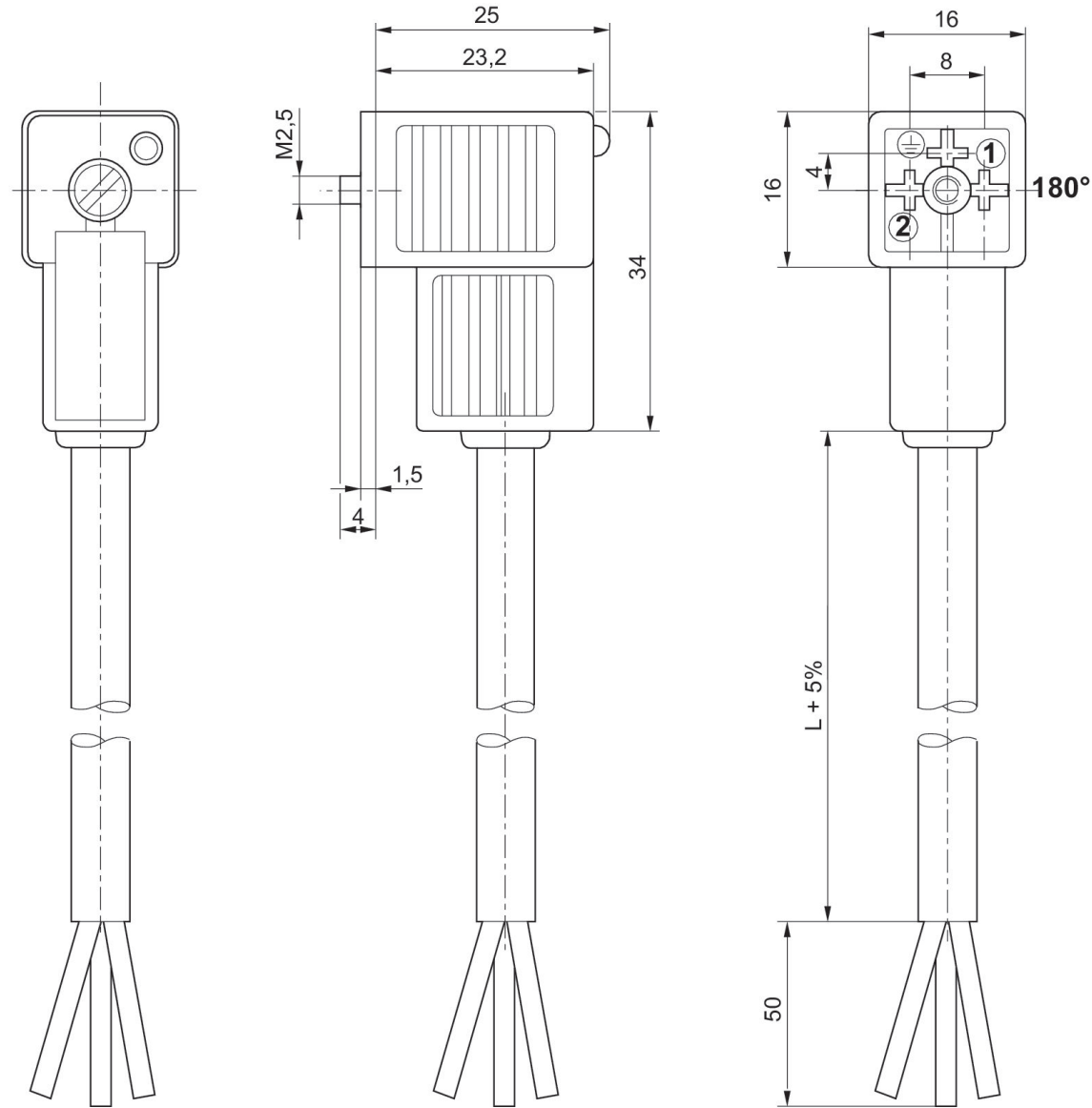
**Valve plug connector, series CON-VP**

form C



Operational voltage	Protective circuit	Max. current [A]	Contact assignment	LED status display	Cable-Ø [mm]	Cable length [m]	Part No.
230 V AC/DC		6	2+E		5.9	3	1834484213
230 V AC/DC		6	2+E		5.9	5	1834484215
24 V AC/DC	Z-diode	6	2+E	Yellow	5.9	3	1834484205
24 V AC/DC	Z-diode	6	2+E	Yellow	5.9	5	1834484207
230 V AC/DC	Varistor	6	2+E	Yellow	5.9	3	1834484209
230 V AC/DC	Varistor	6	2+E	Yellow	5.9	5	1834484211
24 V AC/DC	Z-diode	6	2+E	Yellow	5.9	10	1834484236

Dimensions



180° female insert

# Efficient pneumatic solutions, our program: cylinders and drives, valves and valve systems, air supply management



Visit us: [Emerson.com/Aventics](https://www.emerson.com/aventics)

Your local contact: [Emerson.com/contactus](https://www.emerson.com/contactus)



[Emerson.com](https://www.emerson.com)



[Facebook.com/EmersonAutomationSolutions](https://www.facebook.com/EmersonAutomationSolutions)



[LinkedIn.com/company/Emerson-Automation-Solutions](https://www.linkedin.com/company/Emerson-Automation-Solutions)



[Twitter.com/EMR\\_Automation](https://twitter.com/EMR_Automation)

An example configuration is depicted on the title page. The delivered product may thus vary from that in the illustration. Subject to change. This Document, as well as the data, specifications and other information set forth in it, are the exclusive property of AVENTICS GmbH. It may not be reproduced or given to third parties without its consent. Only use the AVENTICS products shown in industrial applications. Read the product documentation completely and carefully before using the product. Observe the applicable regulations and laws of the respective country. When integrating the product into applications, note the system manufacturer's specifications for safe use of the product. The data specified only serve to describe the product. No statements concerning a certain condition or suitability for a certain application can be derived from our information. The information given does not release the user from the obligation of own judgment and verification. It must be remembered that the products are subject to a natural process of wear and aging.

The Emerson logo is a trademark and service mark of Emerson Electric Co. Brand logotype are registered trademarks of one of the Emerson family of companies. All other marks are the property of their respective owners. © 2019 Emerson Electric Co. All rights reserved.



**CONSIDER IT SOLVED™**