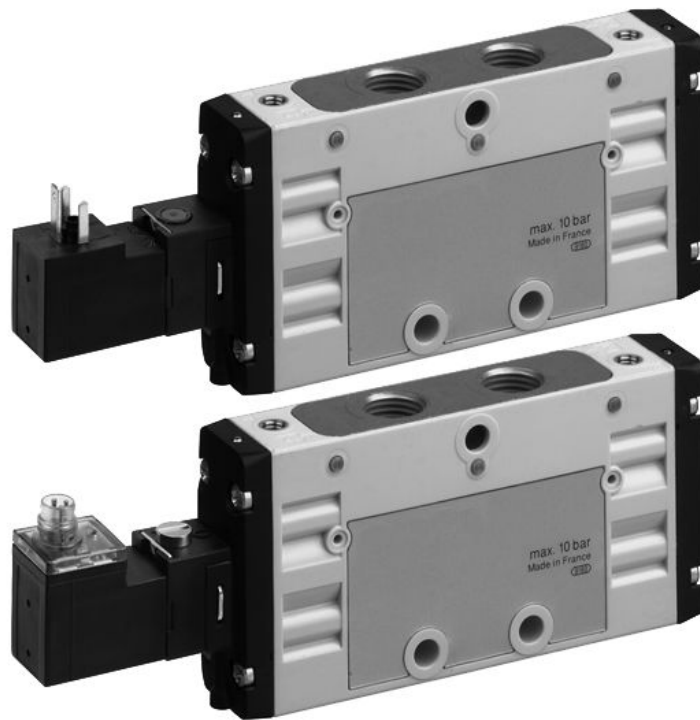


Series TC15



AVENTICS™

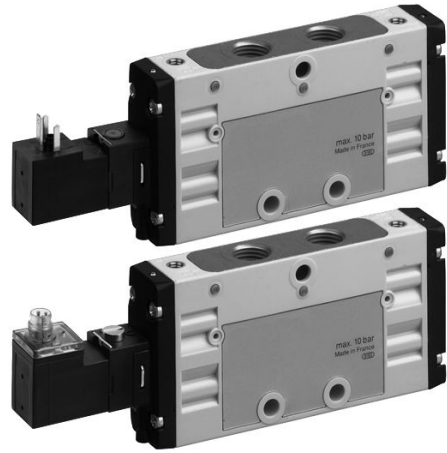
AVENTICS Series TC15
Directional valves


EMERSON™

AVENTICS Series TC15 Directional valves

The AVENTICS Series TC08/TC15 includes a wide range of spool valves with housings made of high-performance polymers with robust and flexible metal inserts. It is designed for flow rate performances from 800 to 1500 l/min. These directional valves are easy to assemble, making them ideal for applications requiring the highest efficiency in limited spaces.

- Excellent ratio of installation space and flow rate
- Large selection of electrical connections
- Electrical or pneumatic operated
- Long service life
- Adjustable coil with four 90° positions



Product overview

	Page
Electrically operated, form C	
2x3/2-directional valve, Series TC15, without detent, AC.....	6
Operating voltage 24 V AC, 110 V AC, 230 V AC - Double Solenoid - without detent - Soft seal - 15 mm - Plug	
2x3/2-directional valve, Series TC15, with detent, AC.....	9
Operating voltage 24 V AC, 110 V AC, 230 V AC - Double Solenoid - with detent - Soft seal - 15 mm - Plug	
2x3/2-directional valve, Series TC15, without detent, DC.....	12
Operating voltage 24 V DC - Double Solenoid - without detent - Soft seal - 15 mm - Plug	
2x3/2-directional valve, Series TC15, with detent, DC.....	14
Operating voltage 24 V DC - Double Solenoid - with detent - Soft seal - 15 mm - Plug	
5/2-directional valve, Series TC15, with detent, AC.....	16
Operating voltage 24 V AC, 110 V AC, 230 V AC - with detent - Soft seal - 15 mm - Plug	
5/2-directional valve, Series TC15, without detent, AC.....	18
Operating voltage 24 V AC, 110 V AC, 230 V AC - without detent - Soft seal - 15 mm - Plug	
5/2-directional valve, Series TC15, with detent, DC.....	20
Operating voltage 24 V DC - with detent - Soft seal - 15 mm - Plug	
5/2-directional valve, Series TC15, without detent, DC.....	22
Operating voltage 24 V DC - without detent - Soft seal - 15 mm - Plug	
5/2-directional valve, Series TC15, double, without detent, AC.....	24
Operating voltage 24 V AC, 110 V AC, 230 V AC - without detent - Soft seal - 15 mm - Plug	
5/2-directional valve, Series TC15, double,.....	26
Operating voltage 24 V DC - with detent - Soft seal - 15 mm - Plug	
5/2-directional valve, Series TC15, double, without detent, DC.....	28
Operating voltage 24 V DC - without detent - Soft seal - 15 mm - Plug	
5/2-directional valve, Series TC15, double, with detent, AC.....	30
Operating voltage 24 V AC, 110 V AC, 230 V AC - with detent - Soft seal - 15 mm - Plug	
5/3-directional valve, Series TC15, double, without detent, AC.....	32
Operating voltage 24 V AC, 110 V AC, 230 V AC - Double Solenoid - without detent - Soft seal - 15 mm - Plug	
5/3-directional valve, Series TC15, double, with detent, AC.....	35
Operating voltage 24 V AC, 110 V AC, 230 V AC - Double Solenoid - with detent - Soft seal - 15 mm - Plug	
5/3-directional valve, Series TC15, double, without detent, DC.....	38
Operating voltage 24 V DC - Double Solenoid - without detent - Soft seal - 15 mm - Plug	
5/3-directional valve, Series TC15, double, with detent, DC.....	40
Operating voltage 24 V DC - Double Solenoid - with detent - Soft seal - 15 mm - Plug	
Electrically operated, form C, inch	
2x3/2-directional valve, Series TC15 - inch.....	42
Operating voltage 12 V AC, 110 V AC, 230 V AC - Double Solenoid - with detent - Soft seal - 15 mm - Plug	
2x3/2-directional valve, Series TC15 - inch.....	45
Operating voltage 24 V DC - Double Solenoid - with detent - Soft seal - 15 mm - Plug	
5/2-directional valve, Series TC15, with detent, DC.....	47
Operating voltage 24 V DC - with detent - Soft seal - 15 mm - Plug	
5/2-directional valve, Series TC15, with detent, AC.....	49
Operating voltage 12 V AC, 110 V AC, 230 V AC - Double Solenoid - with detent - Soft seal - 15 mm - Plug	

Product overview

	Page
5/2-directional valve, Series TC15, double,.....	51
Operating voltage 24 V DC - with detent - Soft seal - 15 mm - Plug	
5/2-directional valve, Series TC15, double, with detend, AC.....	53
Operating voltage 12 V AC, 110 V AC, 230 V AC - Double Solenoid - with detent - Soft seal - 15 mm - Plug	
5/3-directional valve, Series TC15, double, with detend, AC.....	55
Operating voltage 12 V AC, 110 V AC, 230 V AC - Double Solenoid - with detent - Soft seal - 15 mm - Plug	
5/3-directional valve, Series TC15, double, with detend, DC.....	58
Operating voltage 24 V DC - Double Solenoid - with detent - Soft seal - 15 mm - Plug	
Electrically operated, M8, 3-pin	
2x3/2-directional valve, Series TC15, with detent.....	60
Operating voltage 24 V DC - Double Solenoid - with detent - Soft seal - 15 mm - Plug	
5/2-directional valve, Series TC15, double,.....	62
Operating voltage 24 V DC - with detent - Soft seal - 15 mm - Plug	
5/2-directional valve, Series TC15, with detent, DC.....	65
Operating voltage 24 V DC - with detent - Soft seal - 15 mm - Plug	
5/3-directional valve, Series TC15.....	68
Operating voltage 24 V DC - Double Solenoid - with detent - Soft seal - 15 mm - Plug	
Electrically operated, M8, 4-pin	
2x3/2-directional valve, Series TC15, with detent.....	71
Operating voltage 24 V DC - Double Solenoid - with detent - Soft seal - 15 mm - Plug	
2x3/2-directional valve, Series TC15, without detent.....	73
Operating voltage 24 V DC - Double Solenoid - without detent - Soft seal - 15 mm - Plug	
5/2-directional valve, Series TC15, double,.....	75
Operating voltage 24 V DC - without detent - Soft seal - 15 mm - Plug	
5/2-directional valve, Series TC15, double,.....	78
Operating voltage 24 V DC - with detent - Soft seal - 15 mm - Plug	
5/2-directional valve, Series TC15, without detent, DC.....	81
Operating voltage 24 V DC - without detent - Soft seal - 15 mm - Plug	
5/2-directional valve, Series TC15, with detent, DC.....	84
Operating voltage 24 V DC - with detent - Soft seal - 15 mm - Plug	
5/3-directional valve, Series TC15, double, without detent, DC.....	87
Operating voltage 24 V DC - Double Solenoid - without detent - Soft seal - 15 mm - Plug	
5/3-directional valve, Series TC15, double, with detend, DC.....	90
Operating voltage 24 V DC - Double Solenoid - with detent - Soft seal - 15 mm - Plug	
Pneumatically operated	
2x3/2-directional valve, Series TC15.....	93
Soft seal	
5/2-directional valve, Series TC15.....	96
Soft seal	
5/3-directional valve, Series TC15.....	99
Soft seal	
Accessories overview TC15	
Valve plug connector, series CON-VP, form C, 300 V DC / 250 V AC.....	102
Valve plug connector, series CON-VP, 0° female insert.....	103
Valve plug connector, series CON-VP, form C, 24 V AC/DC.....	106
Round plug connector, Series CON-RD, straight.....	107

Product overview

	Page
Round plug connector, Series CON-RD, angled.....	108
Round plug connector, Series CON-RD, open cable ends, straight.....	109
Round plug connector, Series CON-RD, open cable ends, angled.....	110
Round plug connector, Series CON-RD, open cable ends, straight, 4-pin.....	112
Round plug connector, Series CON-RD, Plug M8x1, 4-pin.....	113
Coil, Series CO1, Form C.....	115
Form C, coil kit - Plug	
Coil, Series CO1, M8.....	117
M8, coil kit - Plug	
Manifold strip, Series TC15.....	119
Mounting kit, Series TC15.....	122
Blanking plate, Series TC15.....	123
Manifold strip, Series TC15.....	124
Manifold strip, Series TC15.....	127
Manifold strip, Series TC15.....	129
Manifold strip, Series TC15.....	131
Manifold strip, Series TC15.....	133
Manifold strip, Series TC15.....	135
Manifold strip, Series TC15.....	137
Mounting clip.....	139
Mounting bracket.....	140

2x3/2-directional valve, Series TC15, without detent, AC

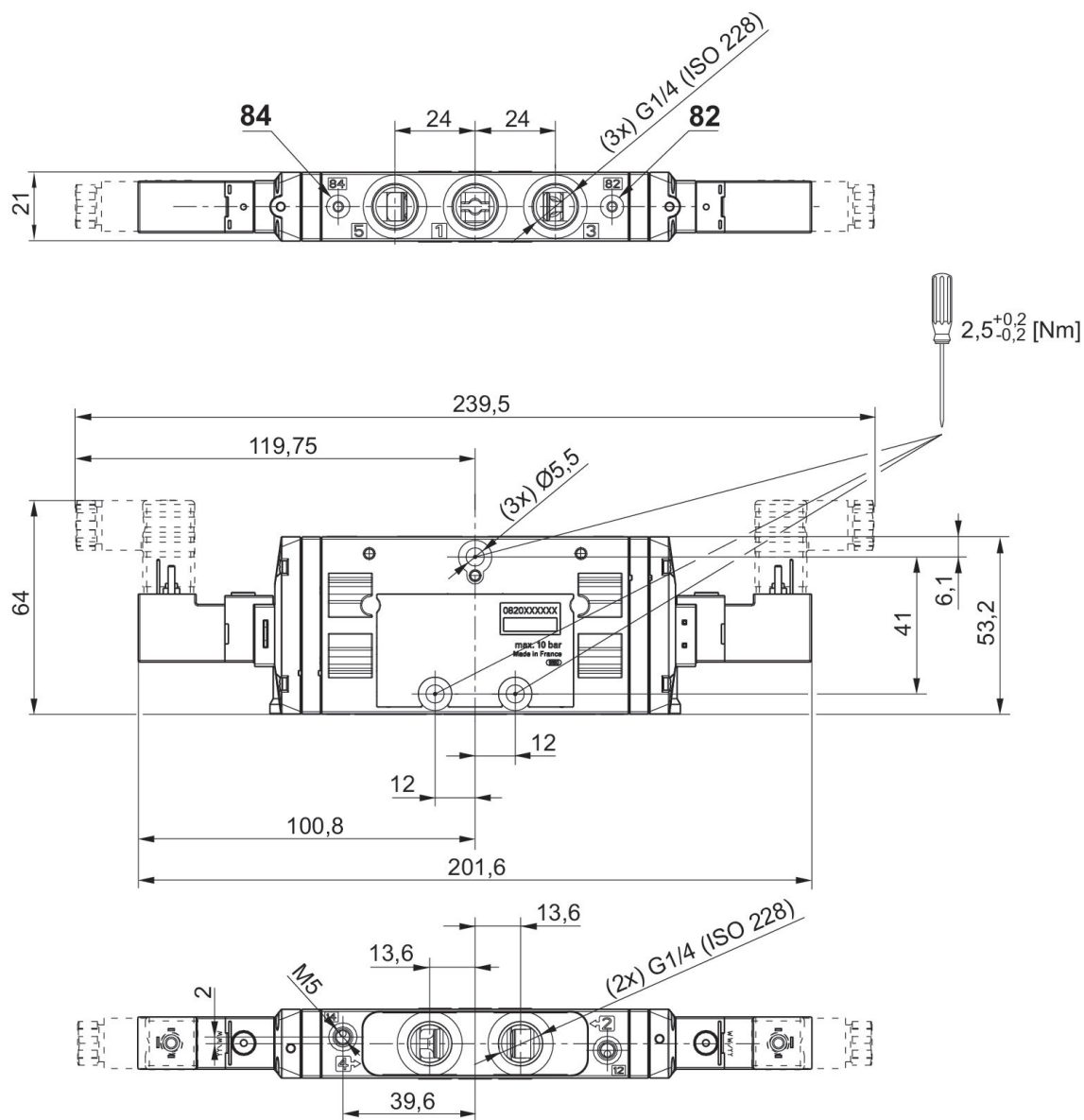
Flow: 1100 l/min
 Activation: Electrically
 Coil width: 15.6 mm
 Electrical connection 2, thread size: ISO 15217, form C
 Compressed air connection type: Internal thread
 Compressed air connection input: G 1/4
 Compressed air connection output: G 1/4
 Compressed air connection, exhaust: G 1/4
 Min. control pressure: 3 bar
 Max. control pressure: 10 bar
 Pilot valve width: 15 mm
 Duty cycle: 100 %
 Type: Spool valve, positive overlapping
 Min. ambient temperature: -10 °C
 Max. ambient temperature: 50 °C
 Max. working pressure: 10 bar



Valve function	Switching principle	MO	Compressed air connection input	Compressed air connection output	Min. working pressure [bar]	Max. working pressure [bar]	Operational voltage	Pilot	Flow Qn [l/min]	Min. control pressure [bar]	Max. control pressure [bar]	Part No.
NC/NC	2x 3/2 NC/NC, with spring return	without detent	G 1/4	G 1/4	3	10	24 V AC	Internal	1100	3	10	R422102157
NC/NC	2x 3/2 NC/NC, with spring return	without detent	G 1/4	G 1/4	3	10	110 V AC	Internal	1100	3	10	R422102159
NC/NC	2x 3/2 NC/NC, with spring return	without detent	G 1/4	G 1/4	3	10	230 V AC	Internal	1100	3	10	R422102160
NO/NO	2x 3/2 NO/NO, with spring return	without detent	G 1/4	G 1/4	3	10	24 V AC	Internal	1100	3	10	R422102161
NO/NO	2x 3/2 NO/NO, with spring return	without detent	G 1/4	G 1/4	3	10	110 V AC	Internal	1100	3	10	R422102163
NO/NO	2x 3/2 NO/NO, with spring return	without detent	G 1/4	G 1/4	3	10	230 V AC	Internal	1100	3	10	R422102164
NC/NO	2x 3/2 NC/NO, with spring return	without detent	G 1/4	G 1/4	3	10	24 V AC	Internal	1100	3	10	R422102165
NC/NO	2x 3/2 NC/NO, with spring return	without detent	G 1/4	G 1/4	3	10	110 V AC	Internal	1100	3	10	R422102167

Valve function	Switching principle	MO	Compressed air connection input	Compressed air connection output	Min. working pressure [bar]	Max. working pressure [bar]	Operational voltage	Pilot	Flow Qn [l/min]	Min. control pressure [bar]	Max. control pressure [bar]	Part No.
NC/NO	2x 3/2 NC/NO, with spring return	without detent	G 1/4	G 1/4	3	10	230 V AC	Internal	1100	3	10	R422102168
NC/NC	2x 3/2 NC/NC, with spring return	without detent	G 1/4	G 1/4	-0.9	10	110 V AC	External	1100	3	10	R422102170
NC/NC	2x 3/2 NC/NC, with spring return	without detent	G 1/4	G 1/4	-0.9	10	230 V AC	External	1100	3	10	R422102171
NO/NO	2x 3/2 NO/NO, with spring return	without detent	G 1/4	G 1/4	-0.9	10	110 V AC	External	1100	3	10	R422102173
NO/NO	2x 3/2 NO/NO, with spring return	without detent	G 1/4	G 1/4	-0.9	10	230 V AC	External	1100	3	10	R422102174
NC/NO	2x 3/2 NC/NO, with spring return	without detent	G 1/4	G 1/4	-0.9	10	110 V AC	External	1100	3	10	R422102176
NC/NO	2x 3/2 NC/NO, with spring return	without detent	G 1/4	G 1/4	-0.9	10	230 V AC	External	1100	3	10	R422102177

Dimensions



2x3/2-directional valve, Series TC15, with detent, AC

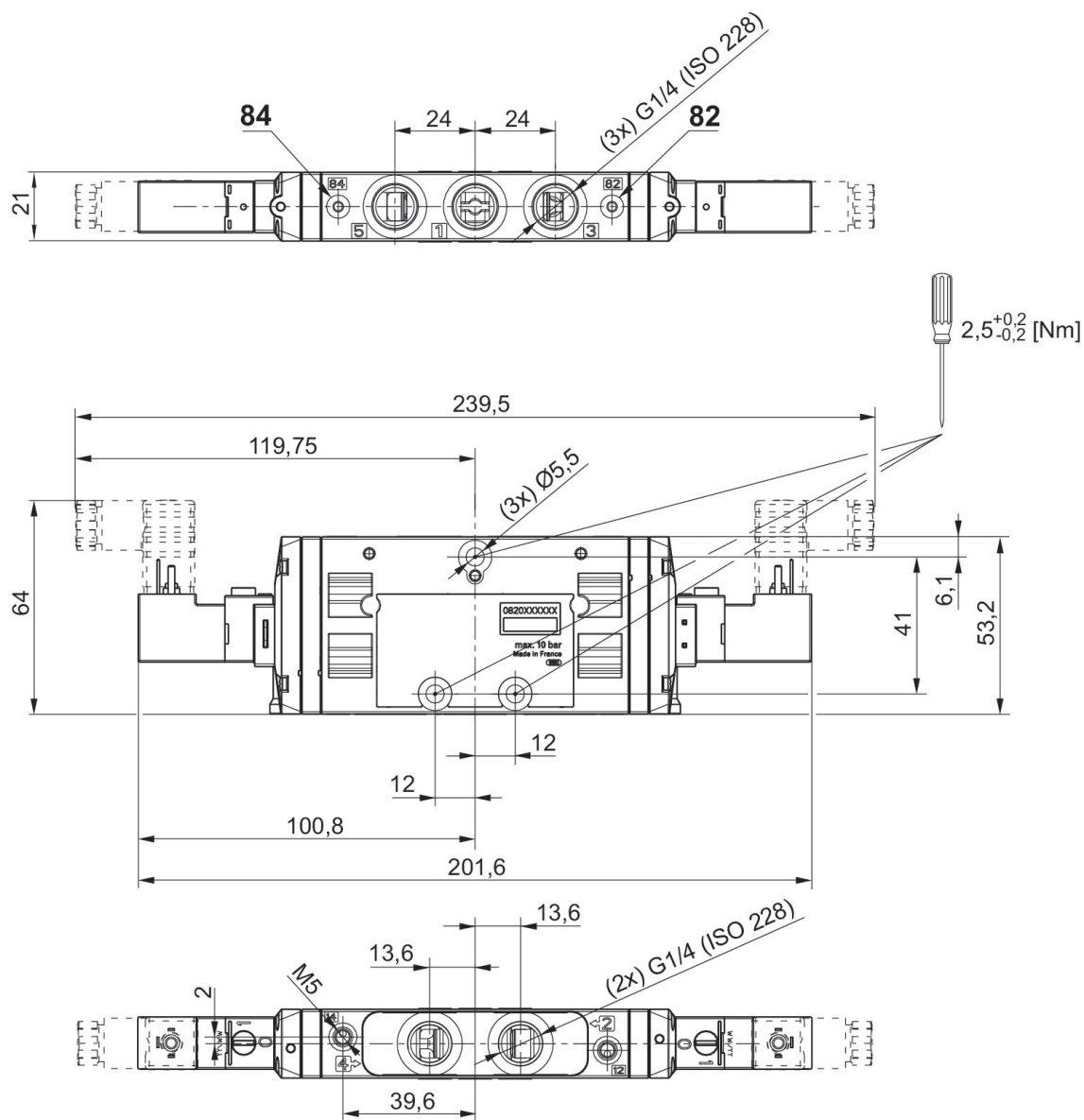
Flow: 1100 l/min
 Activation: Electrically
 Coil width: 15.6 mm
 Electrical connection 2, thread size: ISO 15217, form C
 Compressed air connection type: Internal thread
 Basic valve equipment: Basic valve with coil without valve plug connector
 Compressed air connection input: G 1/4
 Compressed air connection output: G 1/4
 Compressed air connection, exhaust: G 1/4
 Min. control pressure: 3 bar
 Max. control pressure: 10 bar
 Pilot valve width: 15 mm
 Duty cycle: 100 %
 Type: Spool valve, positive overlapping
 Min. ambient temperature: -10 °C
 Max. ambient temperature: 50 °C
 Max. working pressure: 10 bar



Valve function	Switching principle	MO	Compressed air connection input	Compressed air connection output	Min. working pressure [bar]	Max. working pressure [bar]	Operational voltage	Pilot	Flow Qn [l/min]	Min. control pressure [bar]	Max. control pressure [bar]	Part No.
NC/NC	2x 3/2 NC/NC, with spring return	with detent	G 1/4	G 1/4	3	10	24 V AC	Internal	1100	3	10	R422102136
NC/NC	2x 3/2 NC/NC, with spring return	with detent	G 1/4	G 1/4	3	10	110 V AC	Internal	1100	3	10	R422102138
NC/NC	2x 3/2 NC/NC, with spring return	with detent	G 1/4	G 1/4	3	10	230 V AC	Internal	1100	3	10	R422102139
NO/NO	2x 3/2 NO/NO, with spring return	with detent	G 1/4	G 1/4	3	10	24 V AC	Internal	1100	3	10	R422102140
NO/NO	2x 3/2 NO/NO, with spring return	with detent	G 1/4	G 1/4	3	10	110 V AC	Internal	1100	3	10	R422102142
NO/NO	2x 3/2 NO/NO, with spring return	with detent	G 1/4	G 1/4	3	10	230 V AC	Internal	1100	3	10	R422102143
NC/NO	2x 3/2 NC/NO, with spring return	with detent	G 1/4	G 1/4	3	10	24 V AC	Internal	1100	3	10	R422102144
NC/NO	2x 3/2 NC/NO, with spring return	with detent	G 1/4	G 1/4	3	10	110 V AC	Internal	1100	3	10	R422102146

Valve function	Switching principle	MO	Compressed air connection input	Compressed air connection output	Min. working pressure [bar]	Max. working pressure [bar]	Operational voltage	Pilot	Flow Qn [l/min]	Min. control pressure [bar]	Max. control pressure [bar]	Part No.
	spring return											
NC/NO	2x 3/2 NC/NO, with spring return	with de-tent	G 1/4	G 1/4	3	10	230 V AC	Internal	1100	3	10	R422102147
NC/NC	2x 3/2 NC/NC, with spring return	with de-tent	G 1/4	G 1/4	-0.9	10	110 V AC	External	1100	3	10	R422102149
NC/NC	2x 3/2 NC/NC, with spring return	with de-tent	G 1/4	G 1/4	-0.9	10	230 V AC	External	1100	3	10	R422102150
NO/NO	2x 3/2 NO/NO, with spring return	with de-tent	G 1/4	G 1/4	-0.9	10	110 V AC	External	1100	3	10	R422102152
NO/NO	2x 3/2 NO/NO, with spring return	with de-tent	G 1/4	G 1/4	-0.9	10	230 V AC	External	1100	3	10	R422102153
NC/NO	2x 3/2 NC/NO, with spring return	with de-tent	G 1/4	G 1/4	-0.9	10	110 V AC	External	1100	3	10	R422102155
NC/NO	2x 3/2 NC/NO, with spring return	with de-tent	G 1/4	G 1/4	-0.9	10	230 V AC	External	1100	3	10	R422102156

Dimensions



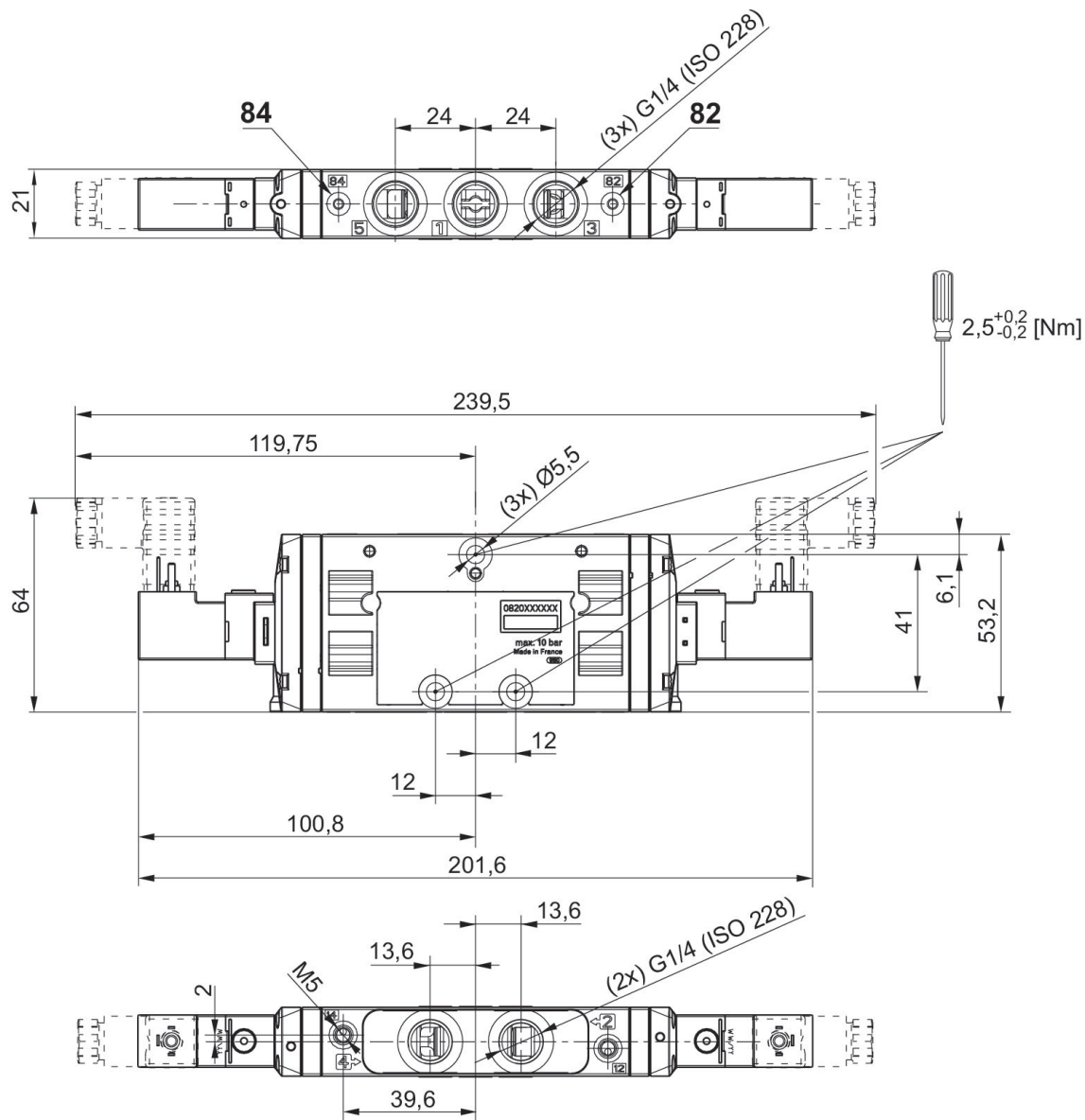
2x3/2-directional valve, Series TC15, without detent, DC

Flow: 1100 l/min
 Activation: Electrically
 Coil width: 15.6 mm
 Electrical connection 2, thread size: ISO 15217, form C
 Compressed air connection type: Internal thread
 Compressed air connection input: G 1/4
 Compressed air connection output: G 1/4
 Compressed air connection, exhaust: G 1/4
 Min. control pressure: 3 bar
 Max. control pressure: 10 bar
 Pilot valve width: 15 mm
 Duty cycle: 100 %
 Type: Spool valve, positive overlapping
 Min. ambient temperature: -10 °C
 Max. ambient temperature: 50 °C
 Max. working pressure: 10 bar



Valve function	Switching principle	MO	Compressed air connection input	Compressed air connection output	Min. working pressure [bar]	Max. working pressure [bar]	Operational voltage	Pilot	Power consumption DC [W]	Flow Qn [l/min]	Min. control pressure [bar]	Max. control pressure [bar]	Part No.
NC/NC	2x 3/2 NC/NC, with spring return	without detent	G 1/4	G 1/4	3	10	24 V DC	Internal	2	1100	3	10	R422102158
NO/NO	2x 3/2 NO/NO, with spring return	without detent	G 1/4	G 1/4	3	10	24 V DC	Internal	2	1100	3	10	R422102162
NC/NO	2x 3/2 NC/NO, with spring return	without detent	G 1/4	G 1/4	3	10	24 V DC	Internal	2	1100	3	10	R422102166
NC/NC	2x 3/2 NC/NC, with spring return	without detent	G 1/4	G 1/4	-0.9	10	24 V DC	External	2	1100	3	10	R422102169
NO/NO	2x 3/2 NO/NO, with spring return	without detent	G 1/4	G 1/4	-0.9	10	24 V DC	External	2	1100	3	10	R422102172
NC/NO	2x 3/2 NC/NO, with spring return	without detent	G 1/4	G 1/4	-0.9	10	24 V DC	External	2	1100	3	10	R422102175

Dimensions



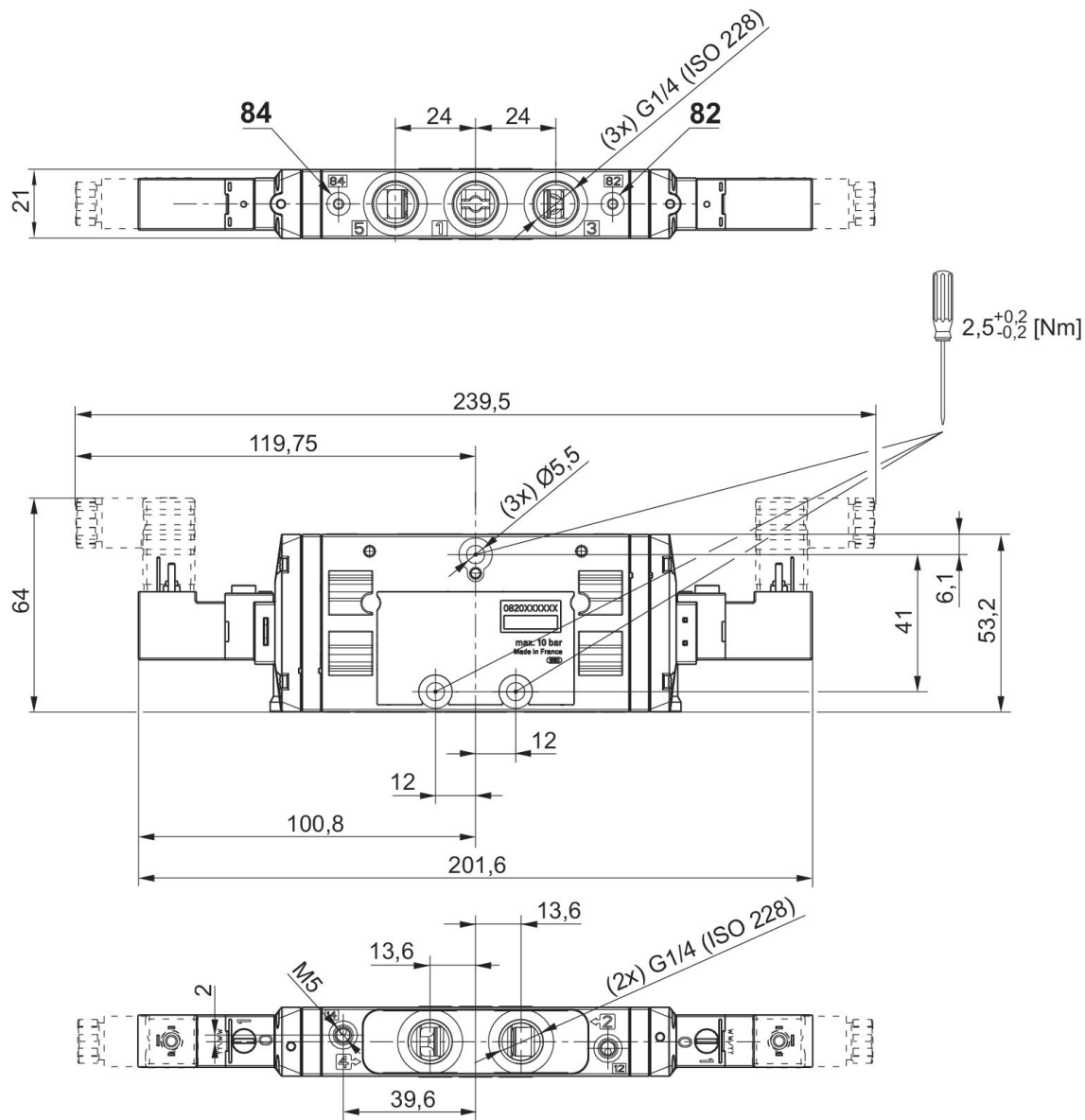
2x3/2-directional valve, Series TC15, with detent, DC

Flow: 1100 l/min
 Activation: Electrically
 Coil width: 15.6 mm
 Electrical connection 2, thread size: ISO 15217, form C
 Compressed air connection type: Internal thread
 Compressed air connection input: G 1/4
 Compressed air connection output: G 1/4
 Compressed air connection, exhaust: G 1/4
 Min. control pressure: 3 bar
 Max. control pressure: 10 bar
 Pilot valve width: 15 mm
 Duty cycle: 100 %
 Type: Spool valve, positive overlapping
 Min. ambient temperature: -10 °C
 Max. ambient temperature: 50 °C
 Max. working pressure: 10 bar



Valve function	Switching principle	MO	Compressed air connection input	Compressed air connection output	Min. working pressure [bar]	Max. working pressure [bar]	Operational voltage	Pilot	Power consumption DC [W]	Flow Qn [l/min]	Min. control pressure [bar]	Max. control pressure [bar]	Part No.
NC/NC	2x 3/2 NC/NC, with spring return	with detent	G 1/4	G 1/4	3	10	24 V DC	External, Internal	2	1100	3	10	R422102137
NO/NO	2x 3/2 NO/NO, with spring return	with detent	G 1/4	G 1/4	3	10	24 V DC	External, Internal	2	1100	3	10	R422102141
NC/NO	2x 3/2 NC/NO, with spring return	with detent	G 1/4	G 1/4	3	10	24 V DC	External, Internal	2	1100	3	10	R422102145
NC/NC	2x 3/2 NC/NC, with spring return	with detent	G 1/4	G 1/4	-0.9	10	24 V DC	External, Internal	2	1100	3	10	R422102148
NO/NO	2x 3/2 NO/NO, with spring return	with detent	G 1/4	G 1/4	-0.9	10	24 V DC	External, Internal	2	1100	3	10	R422102151
NC/NO	2x 3/2 NC/NO, with spring return	with detent	G 1/4	G 1/4	-0.9	10	24 V DC	External, Internal	2	1100	3	10	R422102154

Dimensions



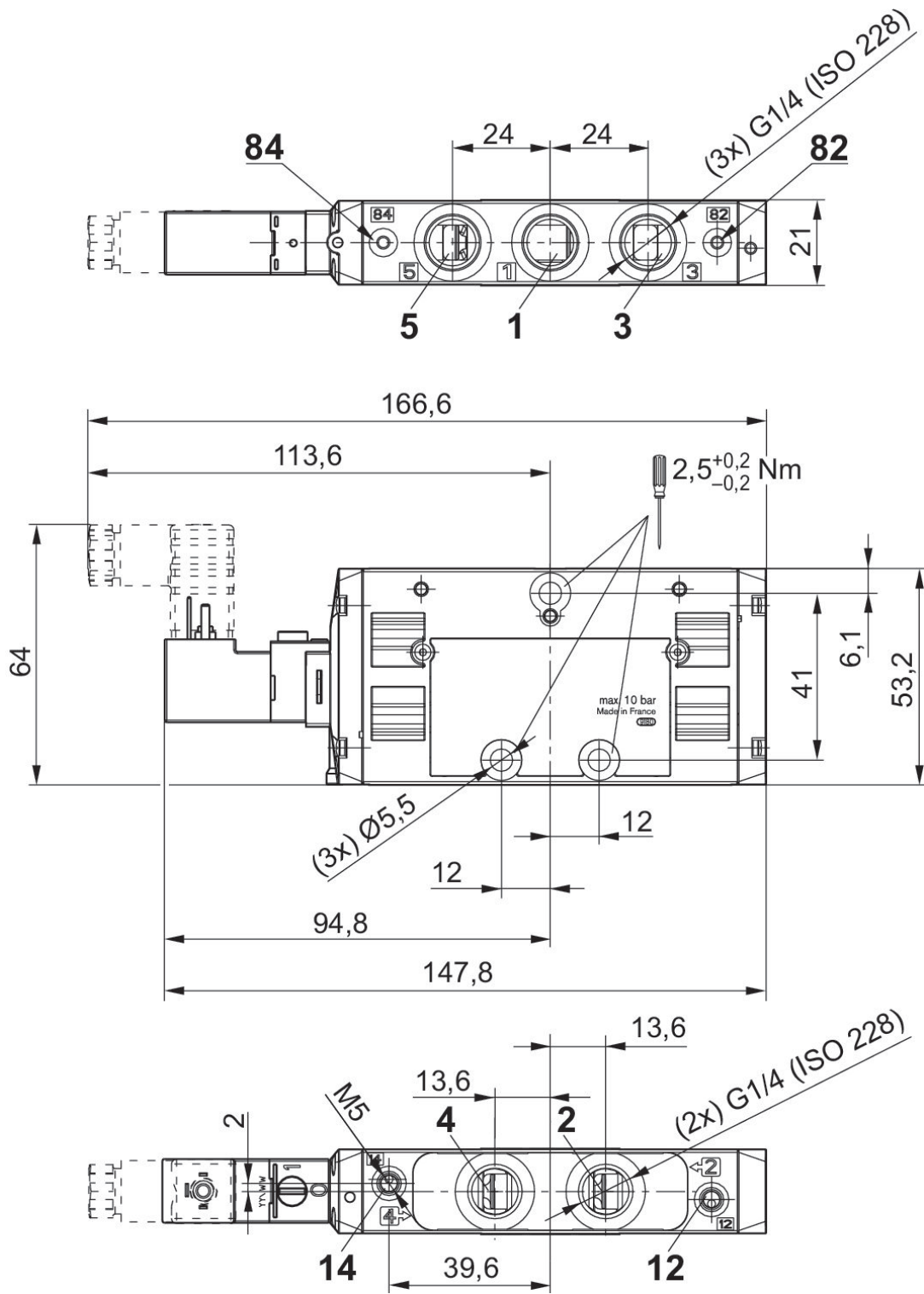
5/2-directional valve, Series TC15, with detent, AC

Flow: 1500 l/min
 Activation: Electrically
 Coil width: 15.6 mm
 Electrical connection 2, thread size: ISO 15217, form C
 Compressed air connection type: Internal thread
 Compressed air connection input: G 1/4
 Compressed air connection output: G 1/4
 Max. control pressure: 10 bar
 Pilot valve width: 15 mm
 Duty cycle: 100 %
 Type: Spool valve, positive overlapping
 Min. ambient temperature: -10 °C
 Max. ambient temperature: 50 °C
 Max. working pressure: 10 bar



Switching principle	MO	Compressed air connection input	Compressed air connection output	Min. working pressure [bar]	Max. working pressure [bar]	Operational voltage	Pilot	Flow Qn [l/min]	Min. control pressure [bar]	Max. control pressure [bar]	Part No.
5/2, with air spring return	with detent	G 1/4	G 1/4	2.5	10	24 V AC	Internal	1500	2.5	10	R422000116
5/2, with air spring return	with detent	G 1/4	G 1/4	2.5	10	110 V AC	Internal	1500	2.5	10	0820058002
5/2, with air spring return	with detent	G 1/4	G 1/4	2.5	10	230 V AC	Internal	1500	2.5	10	0820058003
5/2, with air spring return	with detent	G 1/4	G 1/4	-0.9	10	110 V AC	External	1500	2.5	10	0820058052
5/2, with air spring return	with detent	G 1/4	G 1/4	-0.9	10	230 V AC	External	1500	2.5	10	0820058053
5/2, with spring return	with detent	G 1/4	G 1/4	3	10	24 V AC	Internal	1500	3	10	R422000118
5/2, with spring return	with detent	G 1/4	G 1/4	3	10	110 V AC	Internal	1500	3	10	0820058027
5/2, with spring return	with detent	G 1/4	G 1/4	3	10	230 V AC	Internal	1500	3	10	0820058028
5/2, with spring return	with detent	G 1/4	G 1/4	-0.9	10	110 V AC	External	1500	3	10	0820058077
5/2, with spring return	with detent	G 1/4	G 1/4	-0.9	10	230 V AC	External	1500	3	10	0820058078

Dimensions



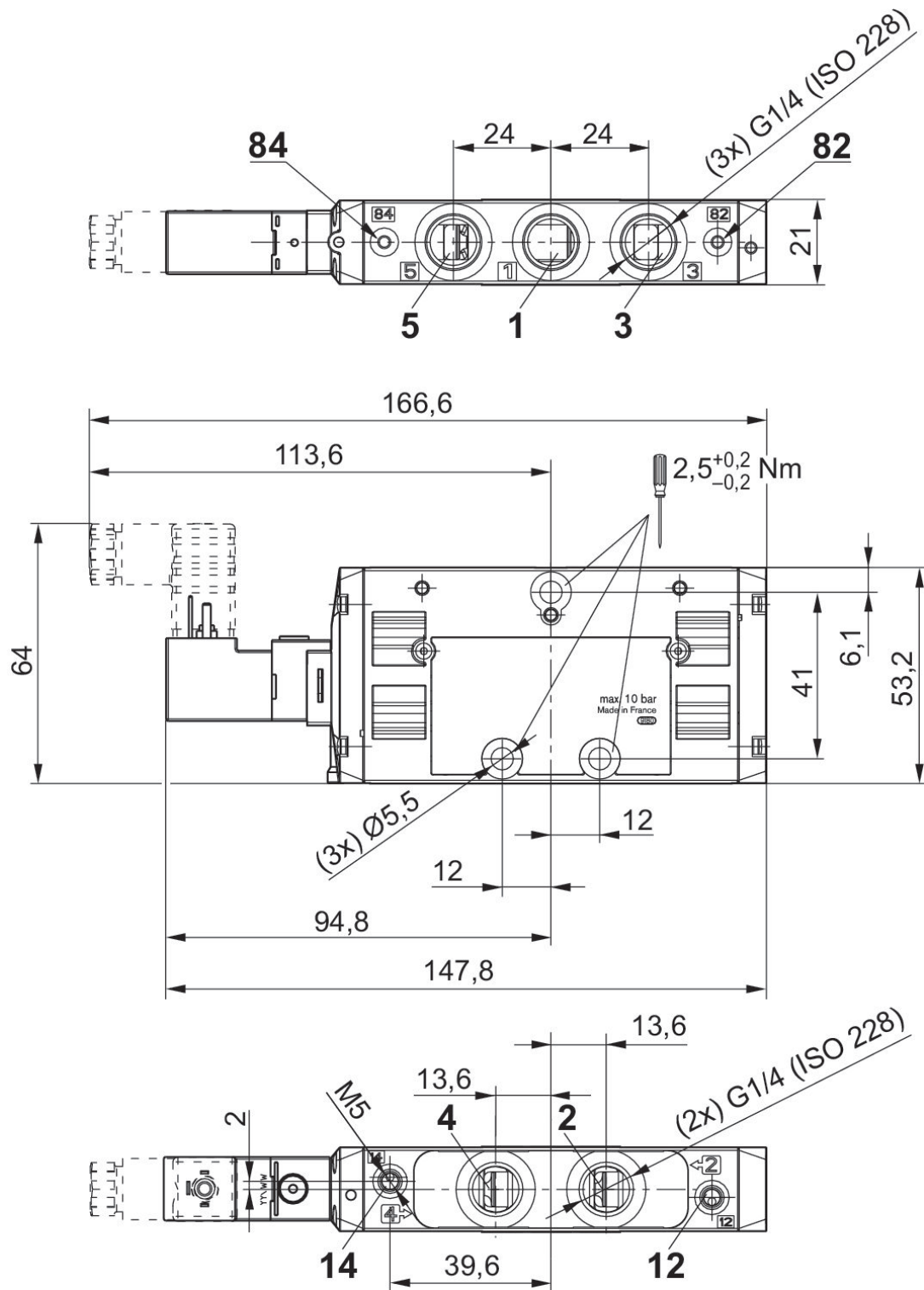
5/2-directional valve, Series TC15, without detent, AC

Flow: 1500 l/min
 Activation: Electrically
 Coil width: 15.6 mm
 Electrical connection 2, thread size: ISO 15217, form C
 Compressed air connection type: Internal thread
 Compressed air connection input: G 1/4
 Compressed air connection output: G 1/4
 Max. control pressure: 10 bar
 Pilot valve width: 15 mm
 Duty cycle: 100 %
 Type: Spool valve, positive overlapping
 Min. ambient temperature: -10 °C
 Max. ambient temperature: 50 °C
 Max. working pressure: 10 bar



Switching principle	MO	Compressed air connection input	Compressed air connection output	Min. working pressure [bar]	Max. working pressure [bar]	Operational voltage	Pilot	Flow Qn [l/min]	Min. control pressure [bar]	Max. control pressure [bar]	Part No.
5/2, with air spring return	without detent	G 1/4	G 1/4	2.5	10	24 V AC	Internal	1500	2.5	10	R422000117
5/2, with air spring return	without detent	G 1/4	G 1/4	2.5	10	110 V AC	Internal	1500	2.5	10	0820058102
5/2, with air spring return	without detent	G 1/4	G 1/4	2.5	10	230 V AC	Internal	1500	2.5	10	0820058103
5/2, with air spring return	without detent	G 1/4	G 1/4	-0.9	10	110 V AC	External	1500	2.5	10	0820058152
5/2, with air spring return	without detent	G 1/4	G 1/4	-0.9	10	230 V AC	External	1500	2.5	10	0820058153
5/2, with spring return	without detent	G 1/4	G 1/4	3	10	24 V AC	Internal	1500	3	10	R422000119
5/2, with spring return	without detent	G 1/4	G 1/4	3	10	110 V AC	Internal	1500	3	10	0820058127
5/2, with spring return	without detent	G 1/4	G 1/4	3	10	230 V AC	Internal	1500	3	10	0820058128
5/2, with spring return	without detent	G 1/4	G 1/4	-0.9	10	110 V AC	External	1500	3	10	0820058177
5/2, with spring return	without detent	G 1/4	G 1/4	-0.9	10	230 V AC	External	1500	3	10	0820058178

dimensions, single solenoid



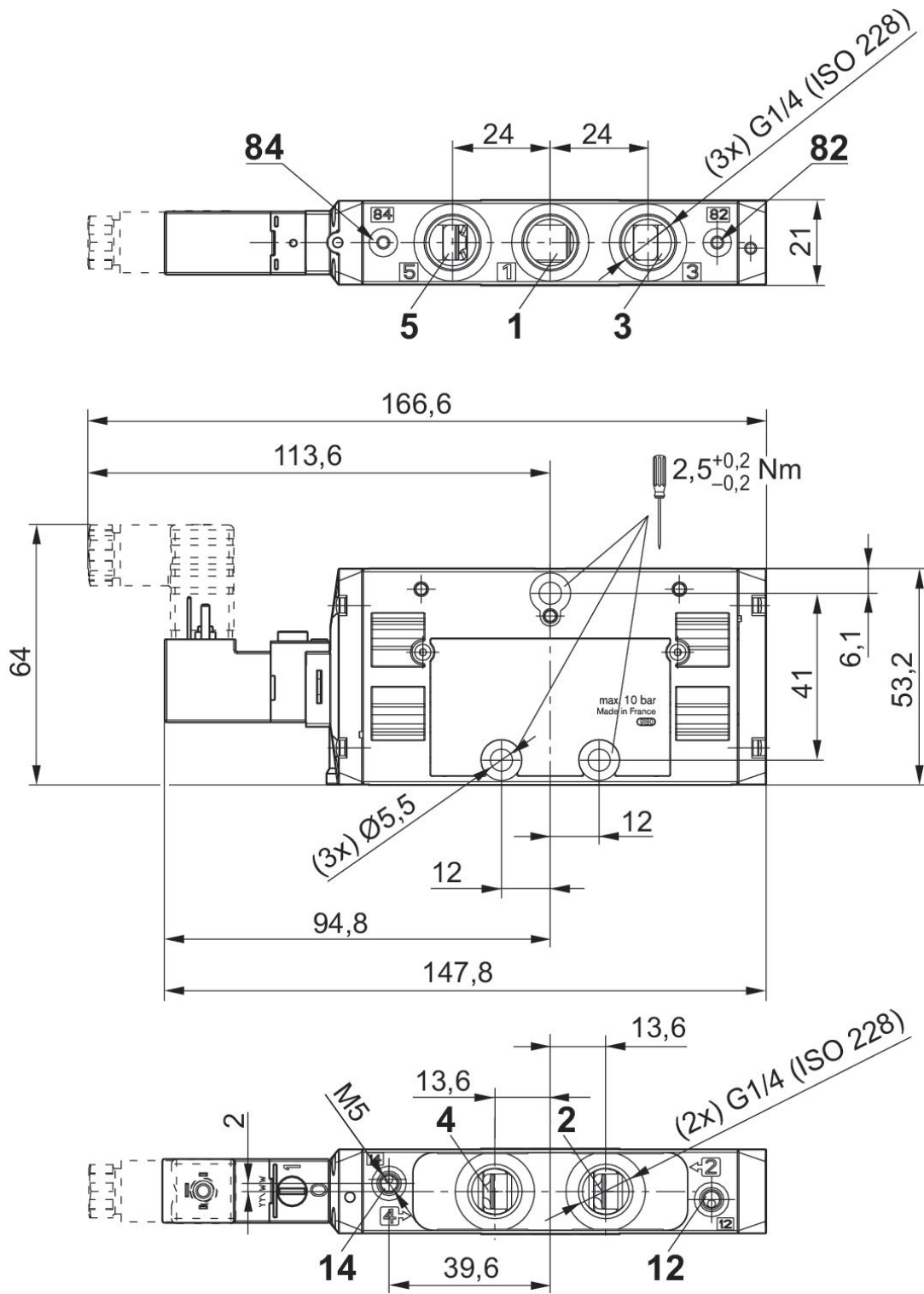
5/2-directional valve, Series TC15, with detent, DC

Flow: 1500 l/min
 Activation: Electrically
 Coil width: 15.6 mm
 Electrical connection 2, thread size: ISO 15217, form C
 Compressed air connection type: Internal thread
 Compressed air connection input: G 1/4
 Compressed air connection output: G 1/4
 Max. control pressure: 10 bar
 Pilot valve width: 15 mm
 Duty cycle: 100 %
 Type: Spool valve, positive overlapping
 Min. ambient temperature: -10 °C
 Max. ambient temperature: 50 °C
 Max. working pressure: 10 bar



Switching principle	MO	Compressed air connection input	Compressed air connection output	Min. working pressure [bar]	Max. working pressure [bar]	Operational voltage	Pilot	Power consumption DC [W]	Flow Qn [l/min]	Min. control pressure [bar]	Max. control pressure [bar]	Part No.
5/2, with air spring return	with detent	G 1/4	G 1/4	2.5	10	24 V DC	Internal	2	1500	2.5	10	0820058001
5/2, with air spring return	with detent	G 1/4	G 1/4	-0.9	10	24 V DC	External	2	1500	2.5	10	0820058051
5/2, with spring return	with detent	G 1/4	G 1/4	3	10	24 V DC	Internal	2	1500	3	10	0820058026
5/2, with spring return	with detent	G 1/4	G 1/4	3	10		Internal		1500	3	10	R422103063
5/2, with spring return	with detent	G 1/4	G 1/4	-0.9	10	24 V DC	External	2	1500	3	10	0820058076
5/2, with spring return	with detent	G 1/4	G 1/4	-0.9	10		External		1500	3	10	R422103065

Dimensions



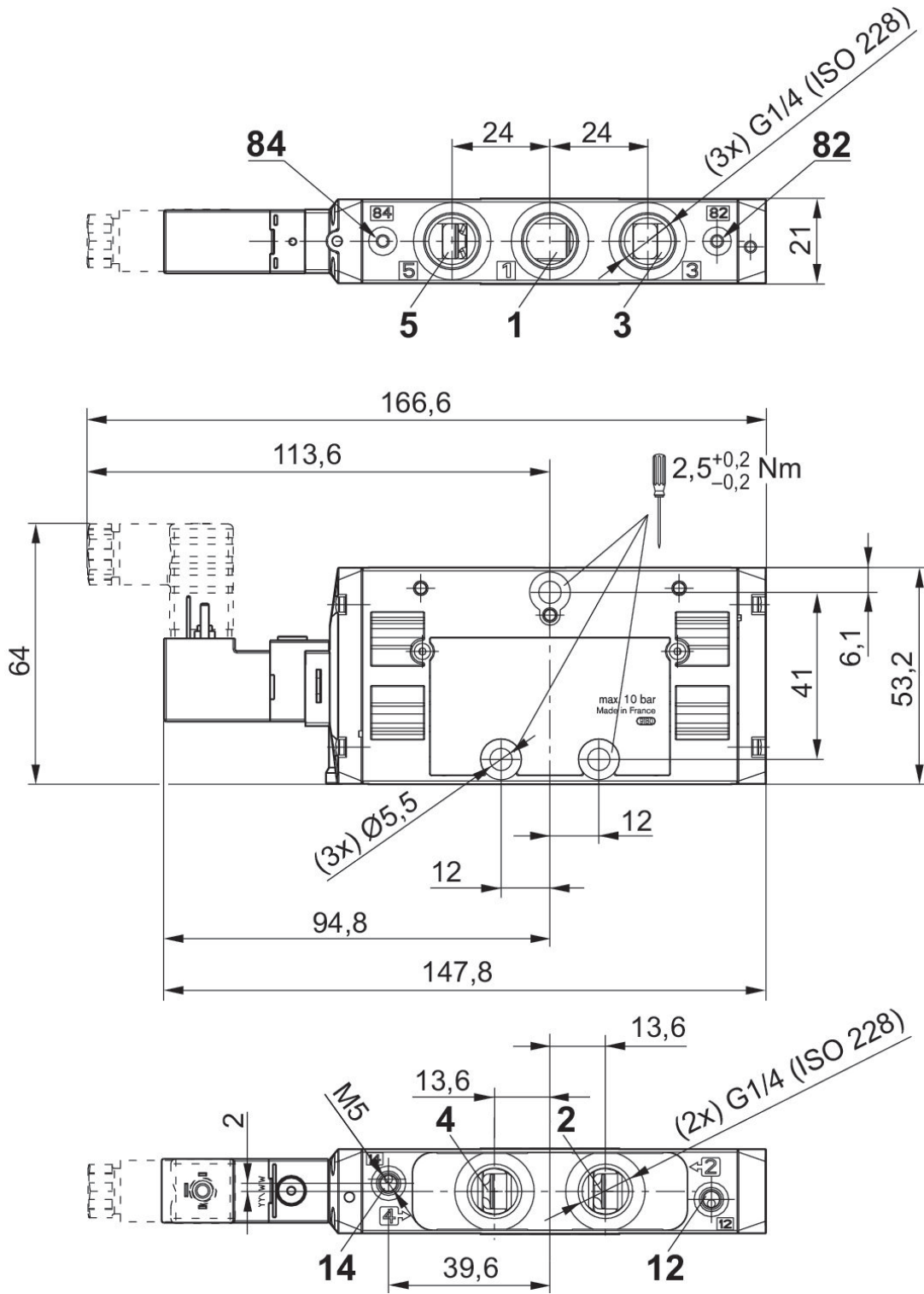
5/2-directional valve, Series TC15, without detent, DC

Flow: 1500 l/min
 Activation: Electrically
 Coil width: 15.6 mm
 Electrical connection 2, thread size: ISO 15217, form C
 Compressed air connection type: Internal thread
 Compressed air connection input: G 1/4
 Compressed air connection output: G 1/4
 Max. control pressure: 10 bar
 Pilot valve width: 15 mm
 Duty cycle: 100 %
 Type: Spool valve, positive overlapping
 Min. ambient temperature: -10 °C
 Max. ambient temperature: 50 °C
 Max. working pressure: 10 bar



Switching principle	MO	Compressed air connection input	Compressed air connection output	Min. working pressure [bar]	Max. working pressure [bar]	Operational voltage	Pilot	Power consumption DC [W]	Flow Qn [l/min]	Min. control pressure [bar]	Max. control pressure [bar]	Part No.
5/2, with air spring return	without detent	G 1/4	G 1/4	2.5	10	24 V DC	Internal	2	1500	2.5	10	0820058101
5/2, with air spring return	without detent	G 1/4	G 1/4	-0.9	10	24 V DC	External	2	1500	2.5	10	0820058151
5/2, with spring return	without detent	G 1/4	G 1/4	3	10	24 V DC	Internal	2	1500	3	10	0820058126
5/2, with spring return	without detent	G 1/4	G 1/4	3	10		Internal		1500	3	10	R422103064
5/2, with spring return	without detent	G 1/4	G 1/4	-0.9	10	24 V DC	External	2	1500	3	10	0820058176
5/2, with spring return	without detent	G 1/4	G 1/4	-0.9	10		External		1500	3	10	R422103066

dimensions, single solenoid



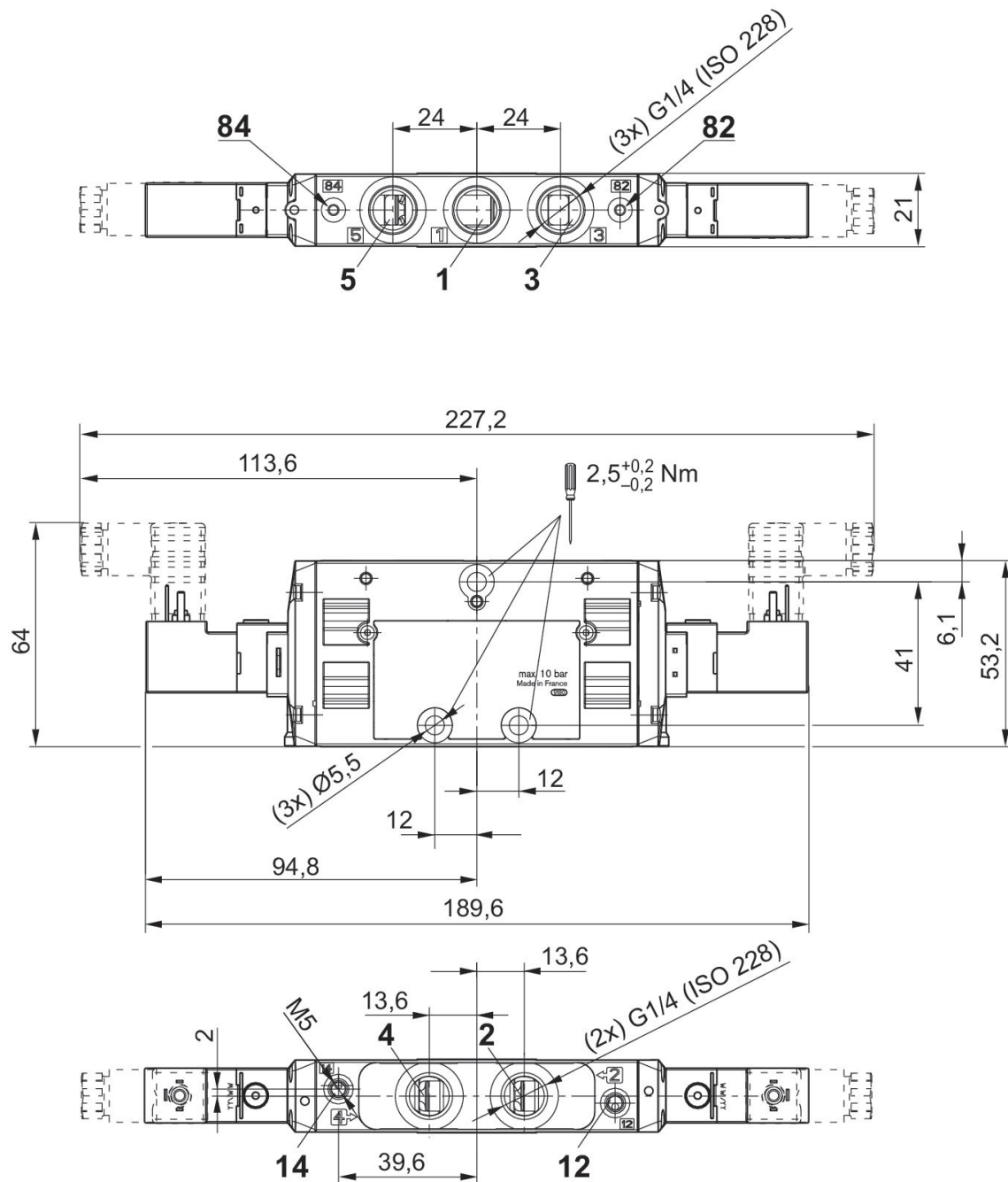
5/2-directional valve, Series TC15, double, without detent, AC

Flow: 1500 l/min
 Activation: Electrically
 Coil width: 15.6 mm
 Electrical connection 2, thread size: ISO 15217, form C
 Compressed air connection type: Internal thread
 Compressed air connection input: G 1/4
 Compressed air connection output: G 1/4
 Max. control pressure: 10 bar
 Pilot valve width: 15 mm
 Duty cycle: 100 %
 Type: Spool valve, positive overlapping
 Min. ambient temperature: -10 °C
 Max. ambient temperature: 50 °C
 Max. working pressure: 10 bar



Switching principle	MO	Compressed air connection input	Compressed air connection output	Min. working pressure [bar]	Max. working pressure [bar]	Operational voltage	Pilot	Flow Qn [l/min]	Min. control pressure [bar]	Max. control pressure [bar]	Part No.
5/2, double solenoid	without detent	G 1/4	G 1/4	2	10	24 V AC	Internal	1500	2	10	R422000121
5/2, double solenoid	without detent	G 1/4	G 1/4	2	10	110 V AC	Internal	1500	2	10	0820058602
5/2, double solenoid	without detent	G 1/4	G 1/4	2	10	230 V AC	Internal	1500	2	10	0820058603
5/2, double solenoid	without detent	G 1/4	G 1/4	-0.9	10	110 V AC	External	1500	2	10	0820058652
5/2, double solenoid	without detent	G 1/4	G 1/4	-0.9	10	230 V AC	External	1500	2	10	0820058653

dimensions, double solenoid



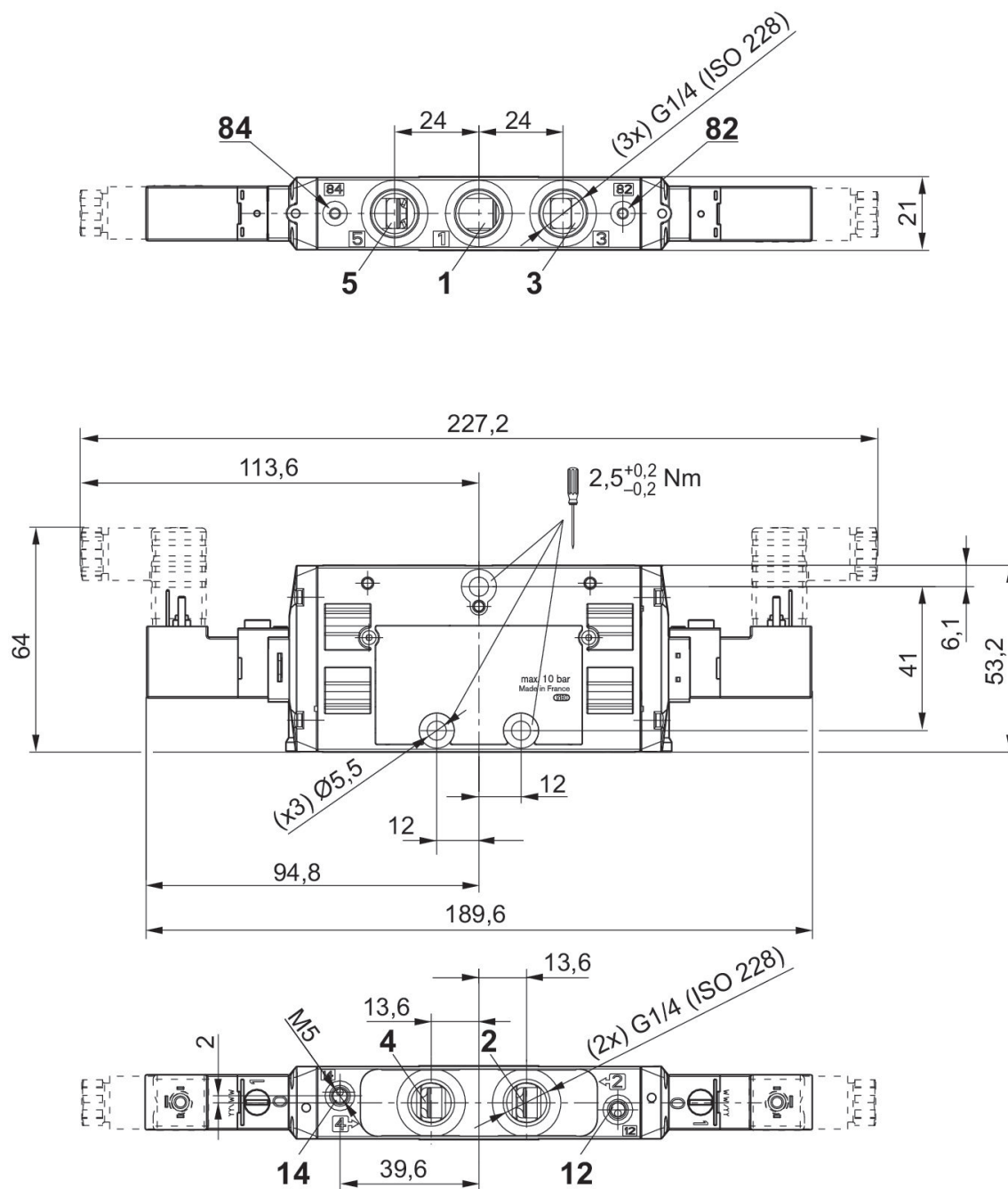
5/2-directional valve, Series TC15, double,

Flow: 1500 l/min
 Activation: Electrically
 Coil width: 15.6 mm
 Electrical connection 2, thread size: ISO 15217, form C
 Compressed air connection type: Internal thread
 Compressed air connection input: G 1/4
 Compressed air connection output: G 1/4
 Max. control pressure: 10 bar
 Pilot valve width: 15 mm
 Duty cycle: 100 %
 Type: Spool valve, positive overlapping
 Min. ambient temperature: -10 °C
 Max. ambient temperature: 50 °C
 Max. working pressure: 10 bar



Switching principle	MO	Compressed air connection input	Compressed air connection output	Min. working pressure [bar]	Max. working pressure [bar]	Operational voltage	Pilot	Power consumption DC [W]	Flow Qn [l/min]	Min. control pressure [bar]	Max. control pressure [bar]	Part No.
5/2, double solenoid	with de-tent	G 1/4	G 1/4	2	10	24 V DC	Internal	2	1500	2	10	0820058501
5/2, double solenoid	with de-tent	G 1/4	G 1/4	2	10		Internal		1500	2	10	R422103067
5/2, double solenoid	with de-tent	G 1/4	G 1/4	-0.9	10	24 V DC	External	2	1500	2	10	0820058551
5/2, double solenoid	with de-tent	G 1/4	G 1/4	-0.9	10		External		1500	2	10	R422103069

Dimensions



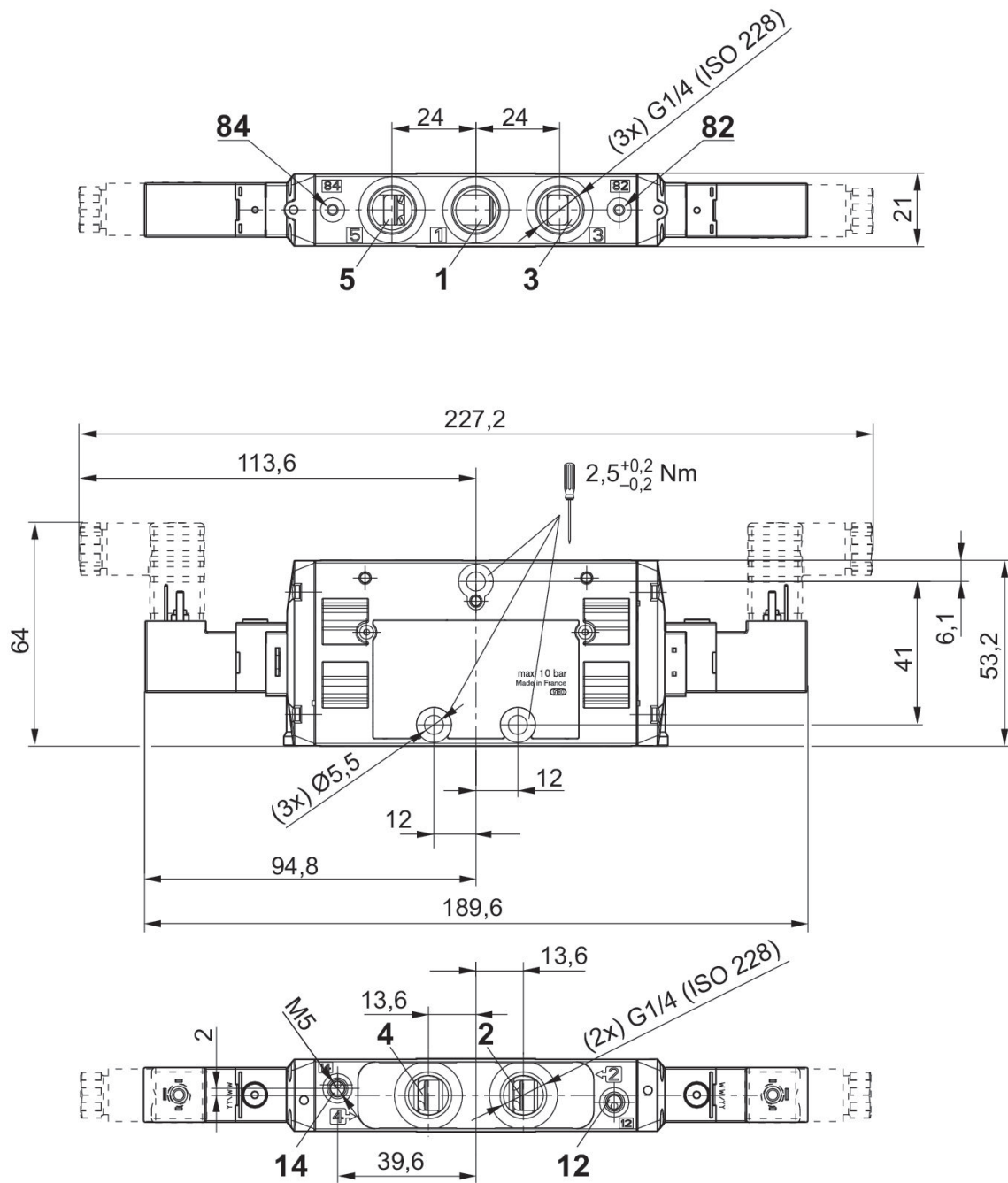
5/2-directional valve, Series TC15, double, without detent, DC

Flow: 1500 l/min
 Activation: Electrically
 Coil width: 15.6 mm
 Electrical connection 2, thread size: ISO 15217, form C
 Compressed air connection type: Internal thread
 Compressed air connection input: G 1/4
 Compressed air connection output: G 1/4
 Max. control pressure: 10 bar
 Pilot valve width: 15 mm
 Duty cycle: 100 %
 Type: Spool valve, positive overlapping
 Min. ambient temperature: -10 °C
 Max. ambient temperature: 50 °C
 Max. working pressure: 10 bar



Switching principle	MO	Compressed air connection input	Compressed air connection output	Min. working pressure [bar]	Max. working pressure [bar]	Operational voltage	Pilot	Power consumption DC [W]	Flow Qn [l/min]	Min. control pressure [bar]	Max. control pressure [bar]	Part No.
5/2, double solenoid	without detent	G 1/4	G 1/4	2	10	24 V DC	Internal	2	1500	2	10	0820058601
5/2, double solenoid	without detent	G 1/4	G 1/4	2	10		Internal		1500	2	10	R422103068
5/2, double solenoid	without detent	G 1/4	G 1/4	-0.9	10	24 V DC	External	2	1500	2	10	0820058651
5/2, double solenoid	without detent	G 1/4	G 1/4	-0.9	10		External		1500	2	10	R422103070

dimensions, double solenoid



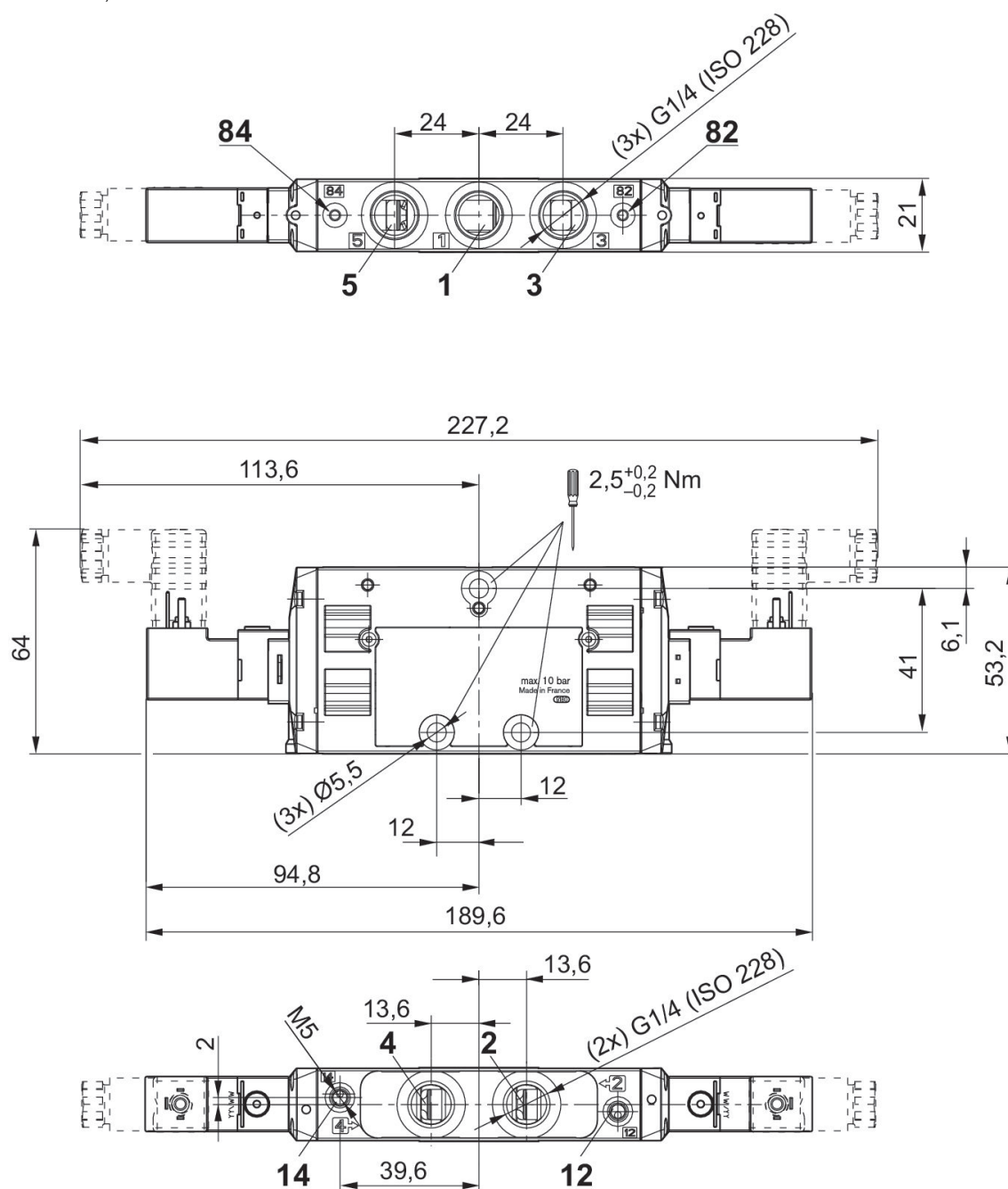
5/2-directional valve, Series TC15, double, with detend, AC

Flow: 1500 l/min
 Activation: Electrically
 Coil width: 15.6 mm
 Electrical connection 2, thread size: ISO 15217, form C
 Compressed air connection type: Internal thread
 Compressed air connection input: G 1/4
 Compressed air connection output: G 1/4
 Max. control pressure: 10 bar
 Pilot valve width: 15 mm
 Duty cycle: 100 %
 Type: Spool valve, positive overlapping
 Min. ambient temperature: -10 °C
 Max. ambient temperature: 50 °C
 Max. working pressure: 10 bar



Switching principle	MO	Compressed air connection input	Compressed air connection output	Min. working pressure [bar]	Max. working pressure [bar]	Operational voltage	Pilot	Flow Qn [l/min]	Min. control pressure [bar]	Max. control pressure [bar]	Part No.
5/2, double solenoid	with detent	G 1/4	G 1/4	2	10	24 V AC	Internal	1500	2	10	R422000120
5/2, double solenoid	with detent	G 1/4	G 1/4	2	10	110 V AC	Internal	1500	2	10	0820058502
5/2, double solenoid	with detent	G 1/4	G 1/4	2	10	230 V AC	Internal	1500	2	10	0820058503
5/2, double solenoid	with detent	G 1/4	G 1/4	-0.9	10	110 V AC	External	1500	2	10	0820058552
5/2, double solenoid	with detent	G 1/4	G 1/4	-0.9	10	230 V AC	External	1500	2	10	0820058553

dimensions, double solenoid



5/3-directional valve, Series TC15, double, without detent, AC

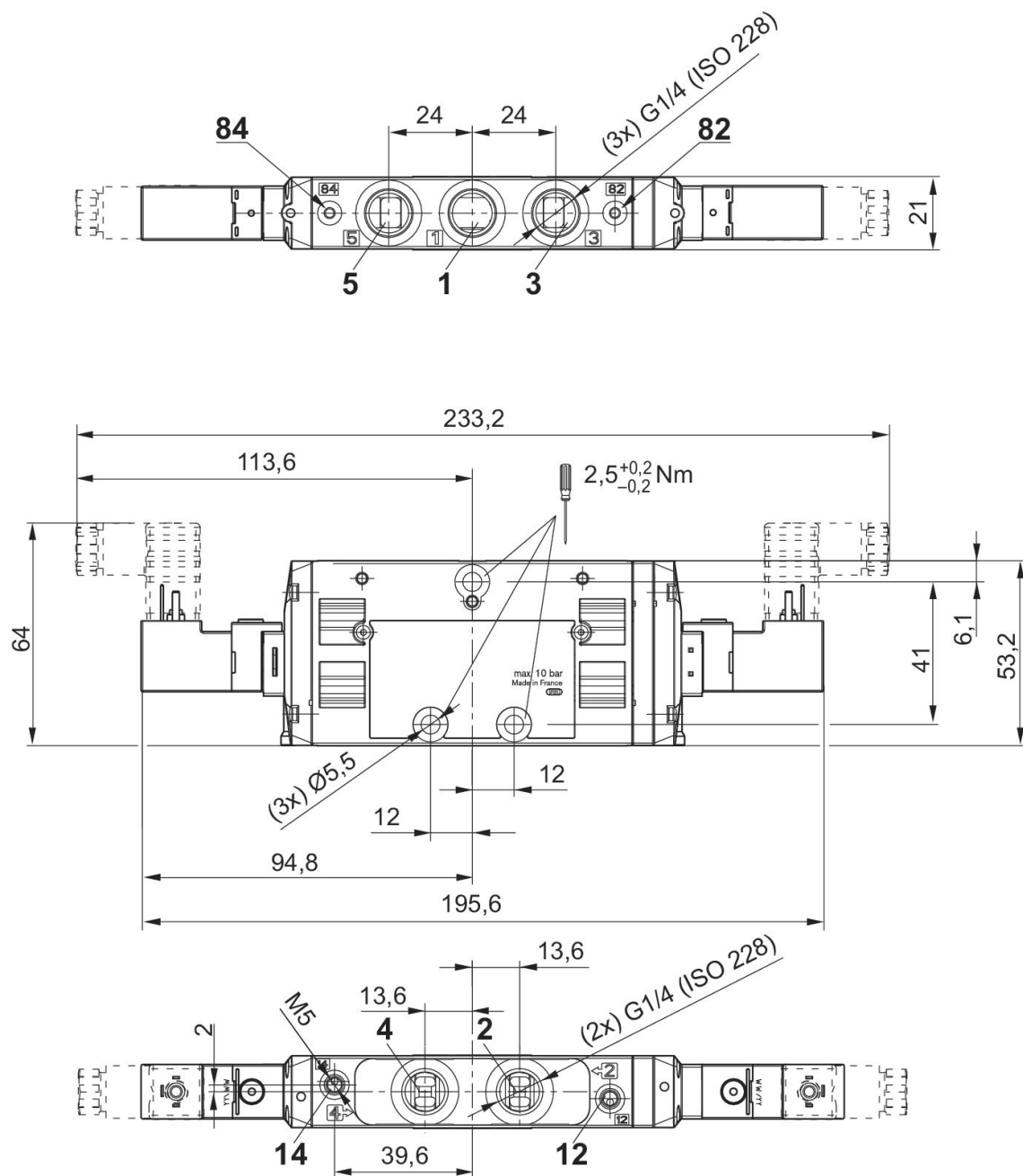
Flow: 1300 l/min
 Activation: Electrically
 Coil width: 15.6 mm
 Electrical connection 2, thread size: ISO 15217, form C
 Compressed air connection type: Internal thread
 Compressed air connection input: G 1/4
 Compressed air connection output: G 1/4
 Min. control pressure: 3 bar
 Max. control pressure: 10 bar
 Pilot valve width: 15 mm
 Duty cycle: 100 %
 Type: Spool valve, positive overlapping
 Min. ambient temperature: -10 °C
 Max. ambient temperature: 50 °C
 Max. working pressure: 10 bar



Valve function	Switching principle	MO	Compressed air connection input	Compressed air connection output	Min. working pressure [bar]	Max. working pressure [bar]	Operational voltage	Pilot	Flow Qn [l/min]	Min. control pressure [bar]	Max. control pressure [bar]	Part No.
Closed Center	5/3, closed center	without detent	G 1/4	G 1/4	3	10	24 V AC	Internal	1300	3	10	R422000123
Closed Center	5/3, closed center	without detent	G 1/4	G 1/4	3	10	110 V AC	Internal	1300	3	10	0820059102
Closed Center	5/3, closed center	without detent	G 1/4	G 1/4	3	10	230 V AC	Internal	1300	3	10	0820059103
Closed Center	5/3, closed center	without detent	G 1/4	G 1/4	-0.9	10	110 V AC	External	1300	3	10	0820059152
Closed Center	5/3, closed center	without detent	G 1/4	G 1/4	-0.9	10	230 V AC	External	1300	3	10	0820059153
Exhausted Center	5/3, exhausted center	without detent	G 1/4	G 1/4	3	10	24 V AC	Internal	1300	3	10	R422000125
Exhausted Center	5/3, exhausted center	without detent	G 1/4	G 1/4	3	10	110 V AC	Internal	1300	3	10	0820059112
Exhausted Center	5/3, exhausted center	without detent	G 1/4	G 1/4	3	10	230 V AC	Internal	1300	3	10	0820059113
Exhausted Center	5/3, exhausted center	without detent	G 1/4	G 1/4	-0.9	10	110 V AC	External	1300	3	10	0820059162
Exhausted Center	5/3, exhausted center	without detent	G 1/4	G 1/4	-0.9	10	230 V AC	External	1300	3	10	0820059163
Pres-surized Center	5/3, pres-surized center	without detent	G 1/4	G 1/4	3	10	24 V AC	Internal	1300	3	10	R422000127
Pres-surized Center	5/3, pres-surized center	without detent	G 1/4	G 1/4	3	10	110 V AC	Internal	1300	3	10	0820059122

Valve function	Switching principle	MO	Compressed air connection input	Compressed air connection output	Min. working pressure [bar]	Max. working pressure [bar]	Operational voltage	Pilot	Flow Qn [l/min]	Min. control pressure [bar]	Max. control pressure [bar]	Part No.
Pres-surized Center	5/3, pres-surized center	without detent	G 1/4	G 1/4	3	10	230 V AC	Internal	1300	3	10	0820059123
Pres-surized Center	5/3, pres-surized center	without detent	G 1/4	G 1/4	-0.9	10	110 V AC	External	1300	3	10	0820059172
Pres-surized Center	5/3, pres-surized center	without detent	G 1/4	G 1/4	-0.9	10	230 V AC	External	1300	3	10	0820059173

Dimensions



5/3-directional valve, Series TC15, double, with detend, AC

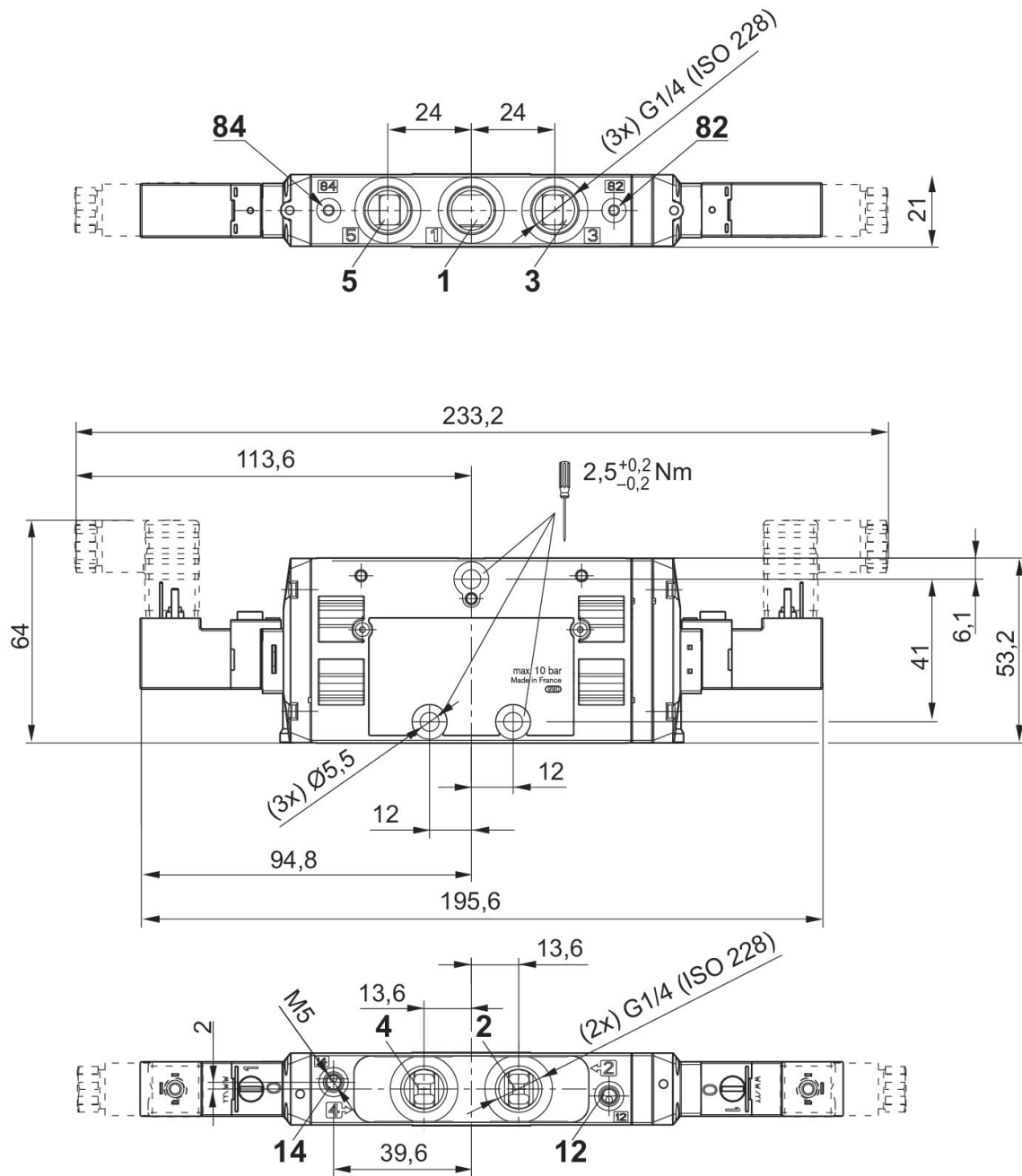
Flow: 1300 l/min
 Activation: Electrically
 Coil width: 15.6 mm
 Electrical connection 2, thread size: ISO 15217, form C
 Compressed air connection type: Internal thread
 Compressed air connection input: G 1/4
 Compressed air connection output: G 1/4
 Min. control pressure: 3 bar
 Max. control pressure: 10 bar
 Pilot valve width: 15 mm
 Duty cycle: 100 %
 Type: Spool valve, positive overlapping
 Min. ambient temperature: -10 °C
 Max. ambient temperature: 50 °C
 Max. working pressure: 10 bar



Valve function	Switching principle	MO	Compressed air connection input	Compressed air connection output	Min. working pressure [bar]	Max. working pressure [bar]	Operational voltage	Pilot	Flow Qn [l/min]	Min. control pressure [bar]	Max. control pressure [bar]	Part No.
Closed Center	5/3, closed center	with detent	G 1/4	G 1/4	3	10	24 V AC	Internal	1300	3	10	R422000122
Closed Center	5/3, closed center	with detent	G 1/4	G 1/4	3	10	110 V AC	Internal	1300	3	10	0820059002
Closed Center	5/3, closed center	with detent	G 1/4	G 1/4	3	10	230 V AC	Internal	1300	3	10	0820059003
Closed Center	5/3, closed center	with detent	G 1/4	G 1/4	-0.9	10	110 V AC	External	1300	3	10	0820059052
Closed Center	5/3, closed center	with detent	G 1/4	G 1/4	-0.9	10	230 V AC	External	1300	3	10	0820059053
Exhausted Center	5/3, exhausted center	with detent	G 1/4	G 1/4	3	10	24 V AC	Internal	1300	3	10	R422000124
Exhausted Center	5/3, exhausted center	with detent	G 1/4	G 1/4	3	10	110 V AC	Internal	1300	3	10	0820059012
Exhausted Center	5/3, exhausted center	with detent	G 1/4	G 1/4	3	10	230 V AC	Internal	1300	3	10	0820059013
Exhausted Center	5/3, exhausted center	with detent	G 1/4	G 1/4	-0.9	10	110 V AC	External	1300	3	10	0820059062
Exhausted Center	5/3, exhausted center	with detent	G 1/4	G 1/4	-0.9	10	230 V AC	External	1300	3	10	0820059063
Pres-surized Center	5/3, pres-surized center	with detent	G 1/4	G 1/4	3	10	24 V AC	Internal	1300	3	10	R422000126
Pres-surized Center	5/3, pres-surized center	with detent	G 1/4	G 1/4	3	10	110 V AC	Internal	1300	3	10	0820059022

Valve function	Switching principle	MO	Compressed air connection input	Compressed air connection output	Min. working pressure [bar]	Max. working pressure [bar]	Operational voltage	Pilot	Flow Qn [l/min]	Min. control pressure [bar]	Max. control pressure [bar]	Part No.
Pres-surized Center	5/3, pres-surized center	with de-tent	G 1/4	G 1/4	3	10	230 V AC	Internal	1300	3	10	0820059023
Pres-surized Center	5/3, pres-surized center	with de-tent	G 1/4	G 1/4	-0.9	10	230 V AC	External	1300	3	10	0820059073
Pres-surized Center	5/3, pres-surized center	with de-tent	G 1/4	G 1/4	-0.9	10	110 V AC	External	1300	3	10	0820059072

Dimensions



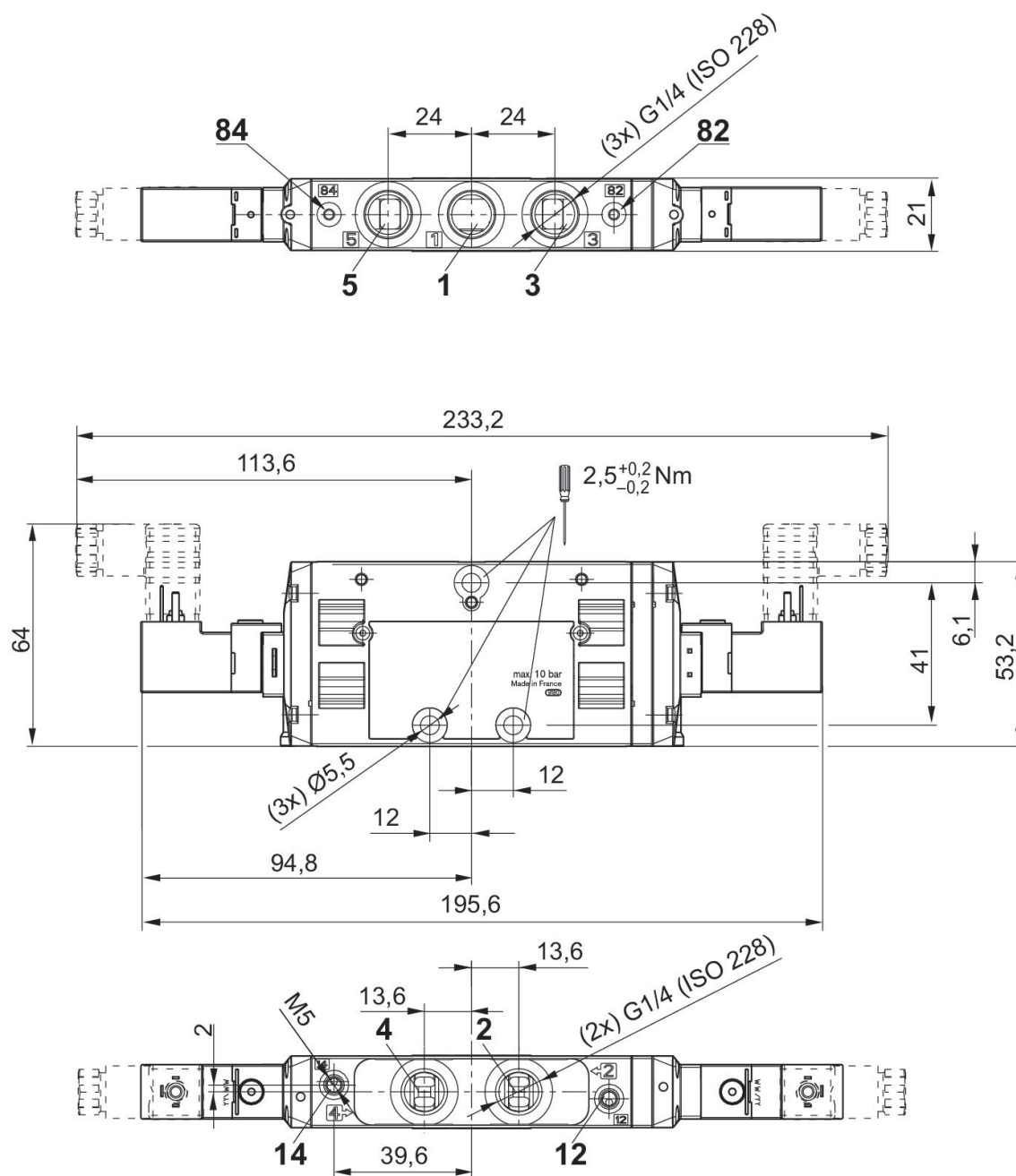
5/3-directional valve, Series TC15, double, without detent, DC

Flow: 1300 l/min
 Activation: Electrically
 Coil width: 15.6 mm
 Electrical connection 2, thread size: ISO 15217, form C
 Compressed air connection type: Internal thread
 Compressed air connection input: G 1/4
 Compressed air connection output: G 1/4
 Min. control pressure: 3 bar
 Max. control pressure: 10 bar
 Pilot valve width: 15 mm
 Duty cycle: 100 %
 Type: Spool valve, positive overlapping
 Min. ambient temperature: -10 °C
 Max. ambient temperature: 50 °C
 Max. working pressure: 10 bar



Valve function	Switching principle	MO	Compressed air connection input	Compressed air connection output	Min. working pressure [bar]	Max. working pressure [bar]	Operational voltage	Pilot	Power consumption DC [W]	Flow Qn [l/min]	Min. control pressure [bar]	Max. control pressure [bar]	Part No.
Closed Center	5/3, closed center	without detent	G 1/4	G 1/4	3	10	24 V DC	Internal	2	1300	3	10	0820059101
Closed Center	5/3, closed center	without detent	G 1/4	G 1/4	3	10		Internal		1300	3	10	R422103072
Closed Center	5/3, closed center	without detent	G 1/4	G 1/4	-0.9	10	24 V DC	External	2	1300	3	10	0820059151
Closed Center	5/3, closed center	without detent	G 1/4	G 1/4	-0.9	10		External		1300	3	10	R422103074
Exhausted Center	5/3, exhausted center	without detent	G 1/4	G 1/4	3	10	24 V DC	Internal	2	1300	3	10	0820059111
Exhausted Center	5/3, exhausted center	without detent	G 1/4	G 1/4	3	10		Internal		1300	3	10	R422103076
Exhausted Center	5/3, exhausted center	without detent	G 1/4	G 1/4	-0.9	10	24 V DC	External	2	1300	3	10	0820059161
Pressurized Center	5/3, pressurized center	without detent	G 1/4	G 1/4	-0.9	10	24 V DC	External	2	1300	3	10	0820059171
Pressurized Center	5/3, pressurized center	without detent	G 1/4	G 1/4	3	10	24 V DC	Internal	2	1300	3	10	0820059121

Dimensions



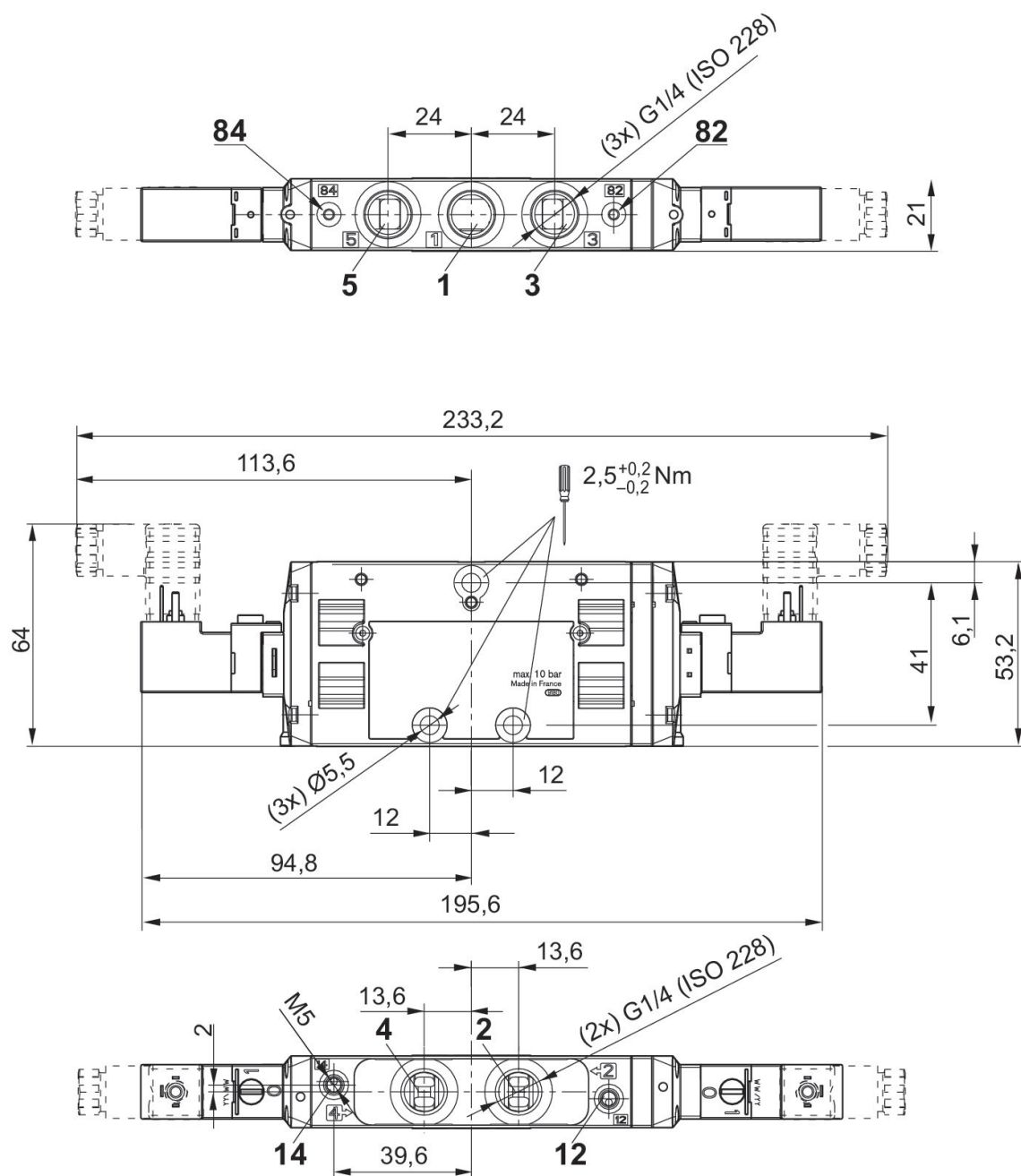
5/3-directional valve, Series TC15, double, with detend, DC

Flow: 1300 l/min
 Activation: Electrically
 Coil width: 15.6 mm
 Electrical connection 2, thread size: ISO 15217, form C
 Compressed air connection type: Internal thread
 Compressed air connection input: G 1/4
 Compressed air connection output: G 1/4
 Min. control pressure: 3 bar
 Max. control pressure: 10 bar
 Pilot valve width: 15 mm
 Duty cycle: 100 %
 Type: Spool valve, positive overlapping
 Min. ambient temperature: -10 °C
 Max. ambient temperature: 50 °C
 Max. working pressure: 10 bar



Valve function	Switching principle	MO	Compressed air connection input	Compressed air connection output	Min. working pressure [bar]	Max. working pressure [bar]	Operational voltage	Pilot	Power consumption DC [W]	Flow Qn [l/min]	Min. control pressure [bar]	Max. control pressure [bar]	Part No.
Closed Center	5/3, closed center	with detent	G 1/4	G 1/4	3	10	24 V DC	Internal	2	1300	3	10	0820059001
Closed Center	5/3, closed center	with detent	G 1/4	G 1/4	3	10		Internal		1300	3	10	R422103071
Closed Center	5/3, closed center	with detent	G 1/4	G 1/4	-0.9	10	24 V DC	External	2	1300	3	10	0820059051
Closed Center	5/3, closed center	with detent	G 1/4	G 1/4	-0.9	10		External		1300	3	10	R422103073
Exhausted Center	5/3, exhausted center	with detent	G 1/4	G 1/4	3	10	24 V DC	Internal	2	1300	3	10	0820059011
Exhausted Center	5/3, exhausted center	with detent	G 1/4	G 1/4	3	10		Internal		1300	3	10	R422103075
Exhausted Center	5/3, exhausted center	with detent	G 1/4	G 1/4	-0.9	10	24 V DC	External	2	1300	3	10	0820059061
Pressurized Center	5/3, pressurized center	with detent	G 1/4	G 1/4	3	10	24 V DC	Internal	2	1300	3	10	0820059021
Pressurized Center	5/3, pressurized center	with detent	G 1/4	G 1/4	-0.9	10	24 V DC	External	2	1300	3	10	0820059071

Dimensions



2x3/2-directional valve, Series TC15 - inch

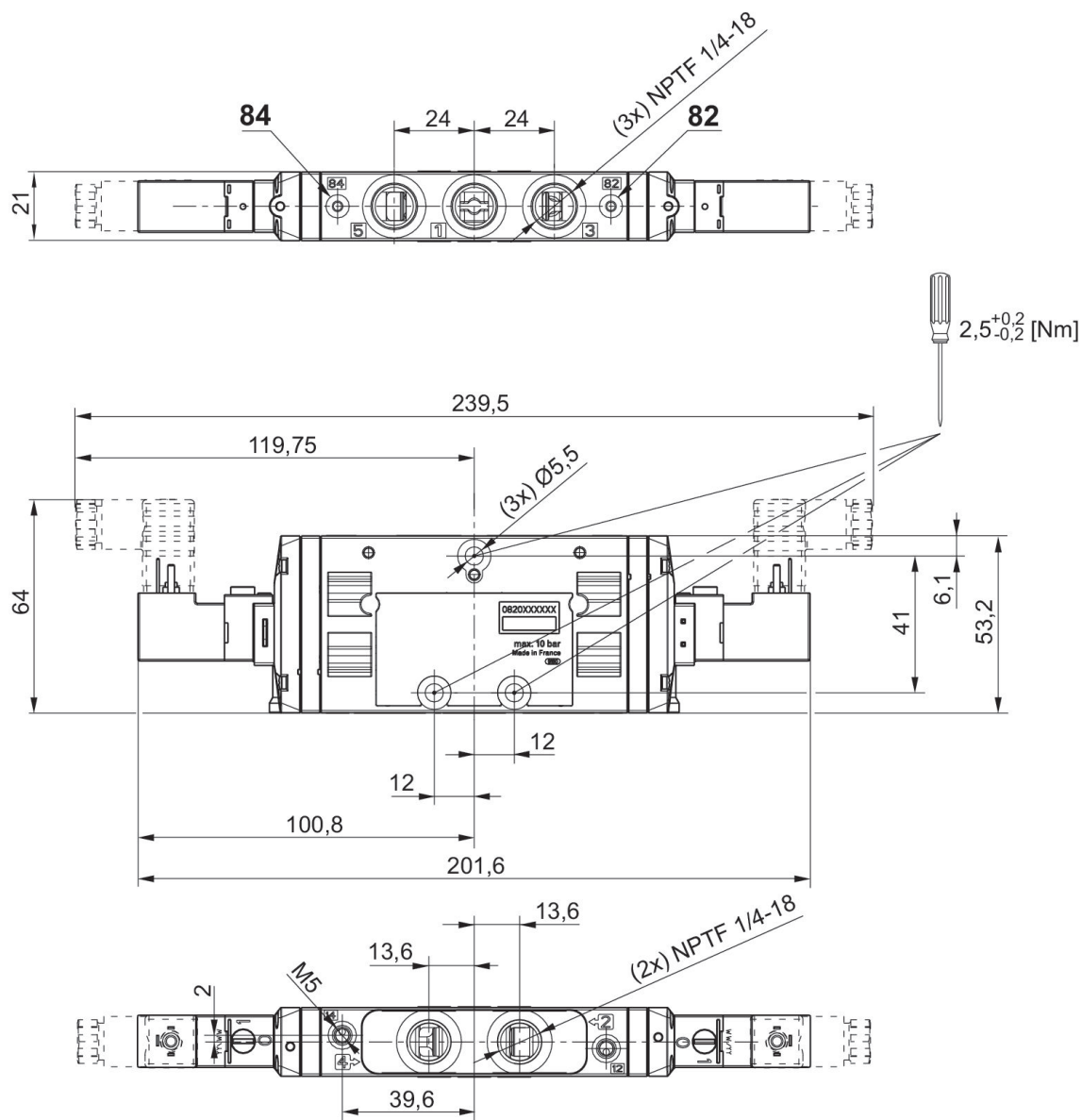
Flow: 1100 l/min
 Activation: Electrically
 Coil width: 15.6 mm
 Electrical connection 2, thread size: ISO 15217, form C
 Compressed air connection type: Internal thread
 Compressed air connection input: 1/4 - 18 NPTF
 Compressed air connection output: 1/4 - 18 NPTF
 Compressed air connection, exhaust: 1/4 - 18 NPTF
 Min. control pressure: 3 bar
 Max. control pressure: 10 bar
 Pilot valve width: 15 mm
 Duty cycle: 100 %
 Type: Spool valve, positive overlapping
 Min. ambient temperature: -10 °C
 Max. ambient temperature: 50 °C
 Max. working pressure: 10 bar



Valve function	Switching principle	MO	Compressed air connection input	Compressed air connection output	Min. working pressure [bar]	Max. working pressure [bar]	Operational voltage	Pilot	Power consumption DC [W]	Flow Qn [l/min]	Min. control pressure [bar]	Max. control pressure [bar]	Part No.
NC/NC	2x 3/2 NC/NC, with spring return	with de-tent	1/4 - 18 NPTF	1/4 - 18 NPTF	3	10	12 V DC	Internal	2	1100	3	10	R422102235
NC/NC	2x 3/2 NC/NC, with spring return	with de-tent	1/4 - 18 NPTF	1/4 - 18 NPTF	3	10	110 V AC	Internal		1100	3	10	R422102237
NC/NC	2x 3/2 NC/NC, with spring return	with de-tent	1/4 - 18 NPTF	1/4 - 18 NPTF	3	10	230 V AC	Internal		1100	3	10	R422102238
NO/NO	2x 3/2 NO/NO, with spring return	with de-tent	1/4 - 18 NPTF	1/4 - 18 NPTF	3	10	12 V DC	Internal	2	1100	3	10	R422102239
NO/NO	2x 3/2 NO/NO, with spring return	with de-tent	1/4 - 18 NPTF	1/4 - 18 NPTF	3	10	110 V AC	Internal		1100	3	10	R422102241
NO/NO	2x 3/2 NO/NO, with spring return	with de-tent	1/4 - 18 NPTF	1/4 - 18 NPTF	3	10	230 V AC	Internal		1100	3	10	R422102242
NC/NO	2x 3/2 NC/NO, with spring return	with de-tent	1/4 - 18 NPTF	1/4 - 18 NPTF	3	10	12 V DC	Internal	2	1100	3	10	R422102243

Valve function	Switching principle	MO	Compressed air connection input	Compressed air connection output	Min. working pressure [bar]	Max. working pressure [bar]	Operational voltage	Pilot	Power consumption DC [W]	Flow Qn [l/min]	Min. control pressure [bar]	Max. control pressure [bar]	Part No.
NC/NO	2x 3/2 NC/NO, with spring return	with detent	1/4 - 18 NPTF	1/4 - 18 NPTF	3	10	110 V AC	Internal		1100	3	10	R422102245
NC/NO	2x 3/2 NC/NO, with spring return	with detent	1/4 - 18 NPTF	1/4 - 18 NPTF	3	10	230 V AC	Internal		1100	3	10	R422102246
NC/NC	2x 3/2 NC/NC, with spring return	with detent	1/4 - 18 NPTF	1/4 - 18 NPTF	-0.95	10	12 V DC	External	2	1100	3	10	R422102247
NC/NC	2x 3/2 NC/NC, with spring return	with detent	1/4 - 18 NPTF	1/4 - 18 NPTF	-0.95	10	110 V AC	External		1100	3	10	R422102249
NC/NC	2x 3/2 NC/NC, with spring return	with detent	1/4 - 18 NPTF	1/4 - 18 NPTF	-0.95	10	230 V AC	External		1100	3	10	R422102250
NC/NC	2x 3/2 NC/NC, with spring return	with detent	1/4 - 18 NPTF	1/4 - 18 NPTF	-0.95	10	12 V DC	External	2	1100	3	10	R422102251
NC/NC	2x 3/2 NC/NC, with spring return	with detent	1/4 - 18 NPTF	1/4 - 18 NPTF	-0.95	10	110 V AC	External		1100	3	10	R422102253
NC/NC	2x 3/2 NC/NC, with spring return	with detent	1/4 - 18 NPTF	1/4 - 18 NPTF	-0.95	10	230 V AC	External		1100	3	10	R422102254
NC/NO	2x 3/2 NC/NO, with spring return	with detent	1/4 - 18 NPTF	1/4 - 18 NPTF	-0.95	10	12 V DC	External	2	1100	3	10	R422102255
NC/NO	2x 3/2 NC/NO, with spring return	with detent	1/4 - 18 NPTF	1/4 - 18 NPTF	-0.95	10	110 V AC	External		1100	3	10	R422102257
NC/NO	2x 3/2 NC/NO, with spring return	with detent	1/4 - 18 NPTF	1/4 - 18 NPTF	-0.95	10	230 V AC	External		1100	3	10	R422102258

Dimensions in mm



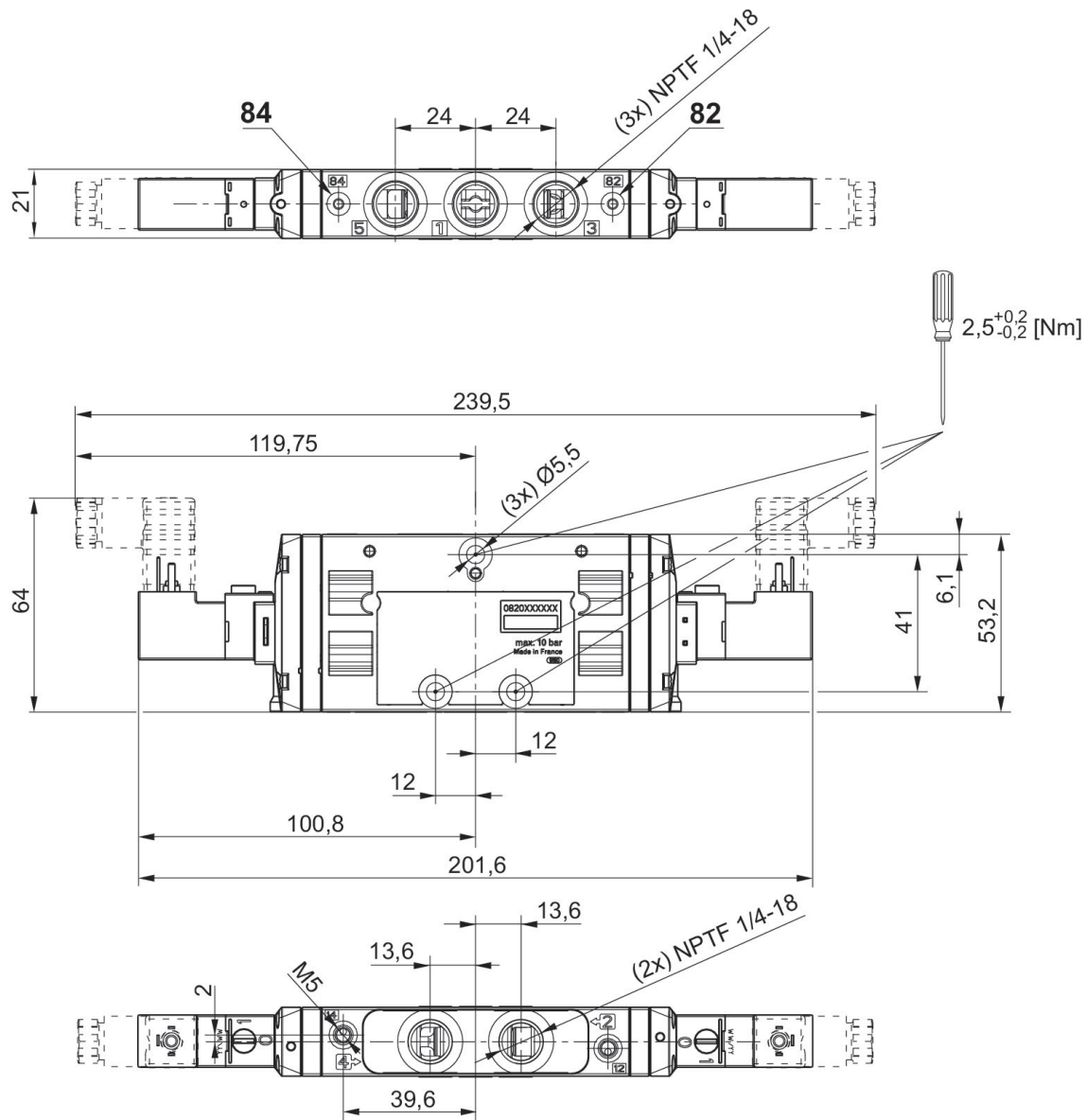
2x3/2-directional valve, Series TC15 - inch

Flow: 1100 l/min
 Activation: Electrically
 Coil width: 15.6 mm
 Electrical connection 2, thread size: ISO 15217, form C
 Compressed air connection type: Internal thread
 Compressed air connection input: 1/4 - 18 NPTF
 Compressed air connection output: 1/4 - 18 NPTF
 Compressed air connection, exhaust: 1/4 - 18 NPTF
 Min. control pressure: 3 bar
 Max. control pressure: 10 bar
 Pilot valve width: 15 mm
 Duty cycle: 100 %
 Type: Spool valve, positive overlapping
 Min. ambient temperature: -10 °C
 Max. ambient temperature: 50 °C
 Max. working pressure: 10 bar



Valve function	Switching principle	MO	Compressed air connection input	Compressed air connection output	Min. working pressure [bar]	Max. working pressure [bar]	Operational voltage	Pilot	Power consumption DC [W]	Flow Qn [l/min]	Min. control pressure [bar]	Max. control pressure [bar]	Part No.
NC/NC	2x 3/2 NC/NC, with spring return	with de-tent	1/4 - 18 NPTF	1/4 - 18 NPTF	3	10	24 V DC	Internal	2	1100	3	10	R422102236
NO/NO	2x 3/2 NO/NO, with spring return	with de-tent	1/4 - 18 NPTF	1/4 - 18 NPTF	3	10	24 V DC	Internal	2	1100	3	10	R422102240
NC/NO	2x 3/2 NC/NO, with spring return	with de-tent	1/4 - 18 NPTF	1/4 - 18 NPTF	3	10	24 V DC	Internal	2	1100	3	10	R422102244
NC/NC	2x 3/2 NC/NC, with spring return	with de-tent	1/4 - 18 NPTF	1/4 - 18 NPTF	-0.95	10	24 V DC	External	2	1100	3	10	R422102248
NC/NC	2x 3/2 NC/NC, with spring return	with de-tent	1/4 - 18 NPTF	1/4 - 18 NPTF	-0.95	10	24 V DC	External	2	1100	3	10	R422102252
NC/NO	2x 3/2 NC/NO, with spring return	with de-tent	1/4 - 18 NPTF	1/4 - 18 NPTF	-0.95	10	24 V DC	External	2	1100	3	10	R422102256

Dimensions in mm



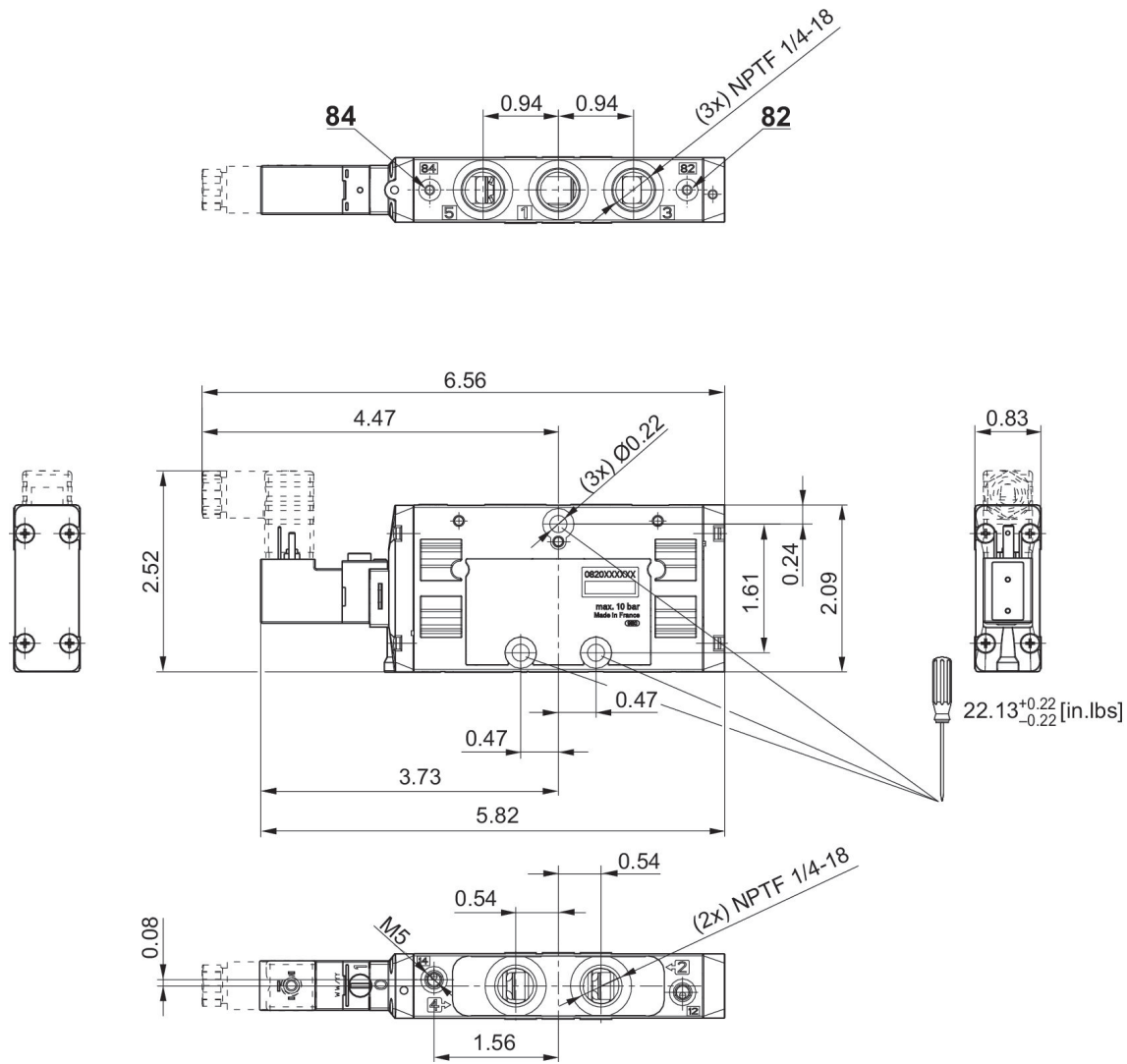
5/2-directional valve, Series TC15, with detent, DC

Flow: 1500 l/min
 Activation: Electrically
 Coil width: 15.6 mm
 Electrical connection 2, thread size: ISO 15217, form C
 Compressed air connection type: Internal thread
 Compressed air connection input: 1/4 - 18 NPTF
 Compressed air connection output: 1/4 - 18 NPTF
 Compressed air connection, exhaust: 1/4 - 18 NPTF
 Max. control pressure: 10 bar
 Pilot valve width: 15 mm
 Duty cycle: 100 %
 Type: Spool valve, positive overlapping
 Min. ambient temperature: -10 °C
 Max. ambient temperature: 50 °C
 Max. working pressure: 10 bar



Switching principle	MO	Compressed air connection input	Compressed air connection output	Min. working pressure [bar]	Max. working pressure [bar]	Operational voltage	Pilot	Power consumption DC [W]	Flow Qn [l/min]	Min. control pressure [bar]	Max. control pressure [bar]	Part No.
5/2, with air spring return	with detent	1/4 - 18 NPTF	1/4 - 18 NPTF	2.5	10	24 V DC	Internal	2	1500	2.5	10	R422101249
5/2, with air spring return	with detent	1/4 - 18 NPTF	1/4 - 18 NPTF	-0.9	10	24 V DC	External	2	1500	2.5	10	R422101253
5/2, with spring return	with detent	1/4 - 18 NPTF	1/4 - 18 NPTF	3	10	24 V DC	Internal	2	1500	3	10	R422101257
5/2, with spring return	with detent	1/4 - 18 NPTF	1/4 - 18 NPTF	-0.9	10	24 V DC	External	2	1500	3	10	R422101261

Dimensions in inches



5/2-directional valve, Series TC15, with detent, AC

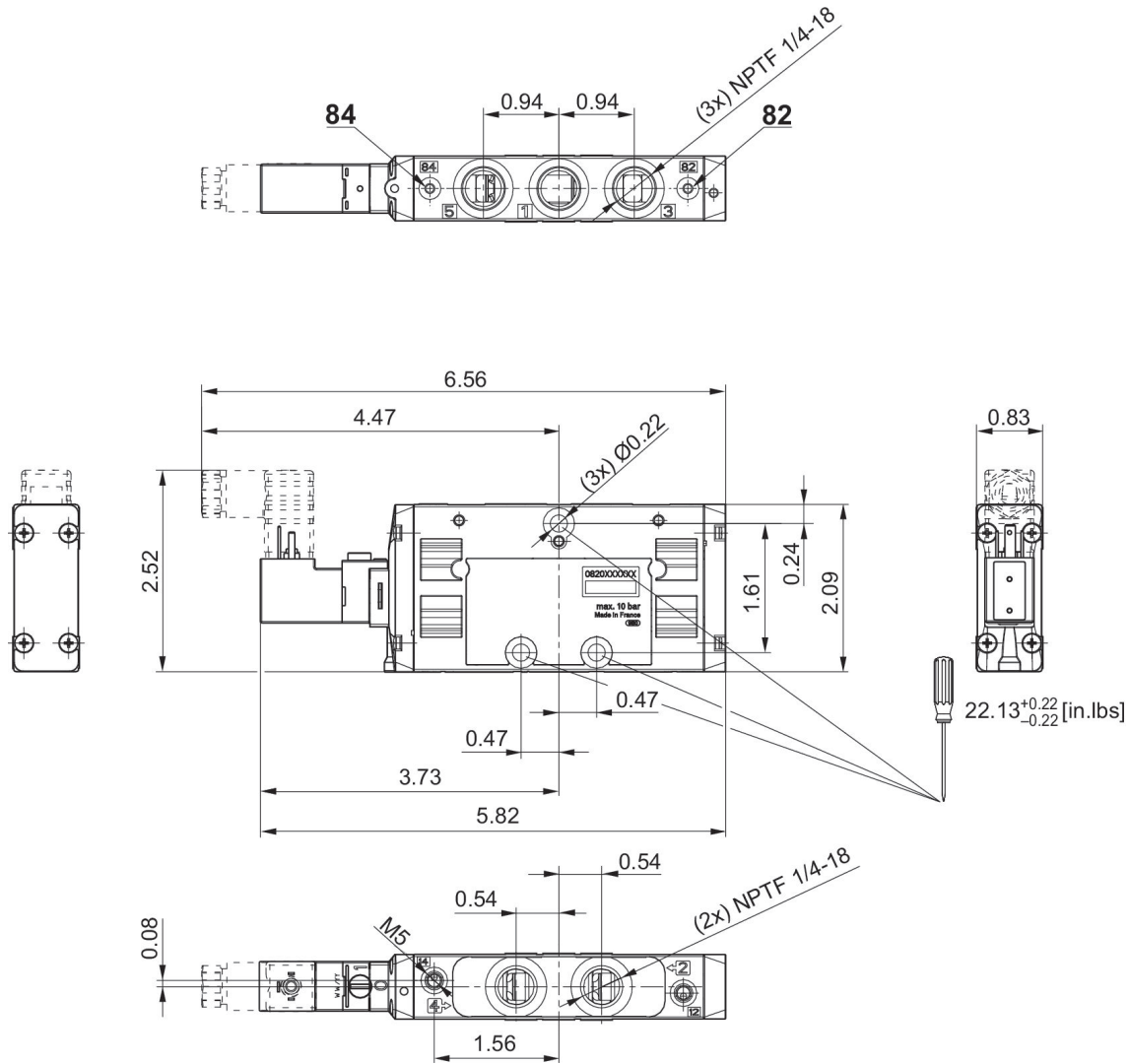
Flow: 1500 l/min
 Activation: Electrically
 Coil width: 15.6 mm
 Electrical connection 2, thread size: ISO 15217, form C
 Compressed air connection type: Internal thread
 Compressed air connection input: 1/4 - 18 NPTF
 Compressed air connection output: 1/4 - 18 NPTF
 Compressed air connection, exhaust: 1/4 - 18 NPTF
 Max. control pressure: 10 bar
 Pilot valve width: 15 mm
 Duty cycle: 100 %
 Type: Spool valve, positive overlapping
 Min. ambient temperature: -10 °C
 Max. ambient temperature: 50 °C
 Max. working pressure: 10 bar



Switching principle	MO	Compressed air connection input	Compressed air connection output	Min. working pressure [bar]	Max. working pressure [bar]	Operational voltage	Pilot	Power consumption DC [W]	Flow Qn [l/min]	Min. control pressure [bar]	Max. control pressure [bar]	Part No.
5/2, with air spring return	with detent	1/4 - 18 NPTF	1/4 - 18 NPTF	2.5	10	12 V DC	Internal	2	1500	2.5	10	R422101248
5/2, with air spring return	with detent	1/4 - 18 NPTF	1/4 - 18 NPTF	2.5	10	110 V AC	Internal		1500	2.5	10	R422101250
5/2, with air spring return	with detent	1/4 - 18 NPTF	1/4 - 18 NPTF	2.5	10	230 V AC	Internal		1500	2.5	10	R422101251
5/2, with air spring return	with detent	1/4 - 18 NPTF	1/4 - 18 NPTF	-0.9	10	12 V DC	External	2	1500	2.5	10	R422101252
5/2, with air spring return	with detent	1/4 - 18 NPTF	1/4 - 18 NPTF	-0.9	10	110 V AC	External		1500	2.5	10	R422101254
5/2, with air spring return	with detent	1/4 - 18 NPTF	1/4 - 18 NPTF	-0.9	10	230 V AC	External		1500	2.5	10	R422101255
5/2, with spring return	with detent	1/4 - 18 NPTF	1/4 - 18 NPTF	3	10	12 V DC	Internal	2	1500	3	10	R422101256
5/2, with spring return	with detent	1/4 - 18 NPTF	1/4 - 18 NPTF	3	10	110 V AC	Internal		1500	3	10	R422101258
5/2, with spring return	with detent	1/4 - 18 NPTF	1/4 - 18 NPTF	3	10	230 V AC	Internal		1500	3	10	R422101259
5/2, with spring return	with detent	1/4 - 18 NPTF	1/4 - 18 NPTF	-0.9	10	12 V DC	External	2	1500	3	10	R422101260
5/2, with spring return	with detent	1/4 - 18 NPTF	1/4 - 18 NPTF	-0.9	10	110 V AC	External		1500	3	10	R422101262

Switching principle	MO	Compressed air connection input	Compressed air connection output	Min. working pressure [bar]	Max. working pressure [bar]	Operational voltage	Pilot	Power consumption DC [W]	Flow Qn [l/min]	Min. control pressure [bar]	Max. control pressure [bar]	Part No.
5/2, with spring return	with detent	1/4 - 18 NPTF	1/4 - 18 NPTF	-0.9	10	230 V AC	External		1500	3	10	R422101263

Dimensions in inches



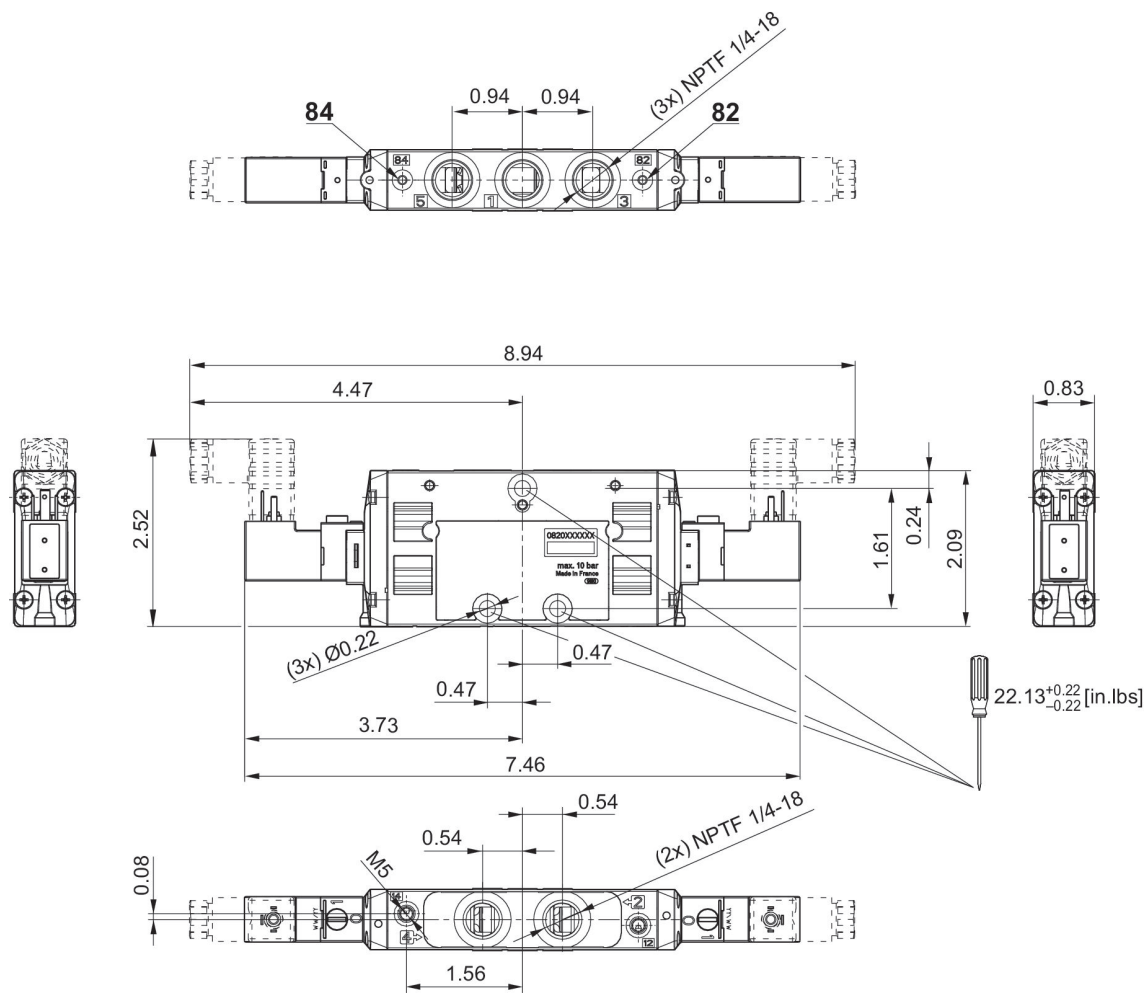
5/2-directional valve, Series TC15, double,

Flow: 1500 l/min
 Activation: Electrically
 Coil width: 15.6 mm
 Electrical connection 2, thread size: ISO 15217, form C
 Compressed air connection type: Internal thread
 Compressed air connection input: 1/4 - 18 NPTF
 Compressed air connection output: 1/4 - 18 NPTF
 Compressed air connection, exhaust: 1/4 - 18 NPTF
 Max. control pressure: 10 bar
 Pilot valve width: 15 mm
 Duty cycle: 100 %
 Type: Spool valve, positive overlapping
 Min. ambient temperature: -10 °C
 Max. ambient temperature: 50 °C
 Max. working pressure: 10 bar



Switching principle	MO	Compressed air connection input	Compressed air connection output	Min. working pressure [bar]	Max. working pressure [bar]	Operational voltage	Pilot	Power consumption DC [W]	Flow Qn [l/min]	Min. control pressure [bar]	Max. control pressure [bar]	Part No.
5/2, double solenoid	with de-tent	1/4 - 18 NPTF	1/4 - 18 NPTF	2	10	24 V DC	Internal	2	1500	2	10	R422101265
5/2, double solenoid	with de-tent	1/4 - 18 NPTF	1/4 - 18 NPTF	-0.9	10	24 V DC	External	2	1500	2	10	R422101269

Dimensions in inches



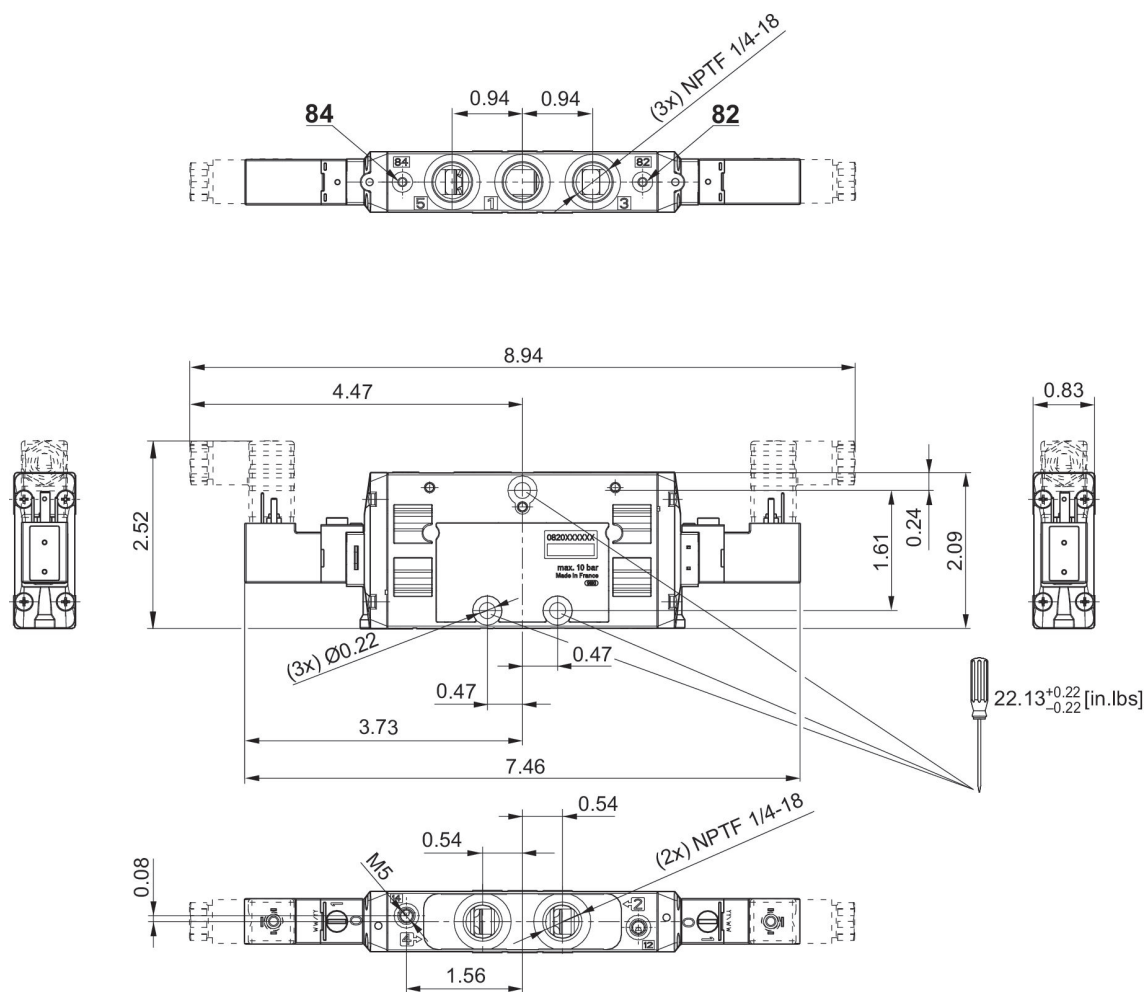
5/2-directional valve, Series TC15, double, with detend, AC

Flow: 1500 l/min
 Activation: Electrically
 Coil width: 15.6 mm
 Electrical connection 2, thread size: ISO 15217, form C
 Compressed air connection type: Internal thread
 Compressed air connection input: 1/4 - 18 NPTF
 Compressed air connection output: 1/4 - 18 NPTF
 Compressed air connection, exhaust: 1/4 - 18 NPTF
 Max. control pressure: 10 bar
 Pilot valve width: 15 mm
 Duty cycle: 100 %
 Type: Spool valve, positive overlapping
 Min. ambient temperature: -10 °C
 Max. ambient temperature: 50 °C
 Max. working pressure: 10 bar



Switching principle	MO	Compressed air connection input	Compressed air connection output	Min. working pressure [bar]	Max. working pressure [bar]	Operational voltage	Pilot	Power consumption DC [W]	Flow Qn [l/min]	Min. control pressure [bar]	Max. control pressure [bar]	Part No.
5/2, double solenoid	with detent	1/4 - 18 NPTF	1/4 - 18 NPTF	2	10	12 V DC	Internal	2	1500	2	10	R422101264
5/2, double solenoid	with detent	1/4 - 18 NPTF	1/4 - 18 NPTF	2	10	110 V AC	Internal		1500	2	10	R422101266
5/2, double solenoid	with detent	1/4 - 18 NPTF	1/4 - 18 NPTF	2	10	230 V AC	Internal		1500	2	10	R422101267
5/2, double solenoid	with detent	1/4 - 18 NPTF	1/4 - 18 NPTF	-0.9	10	12 V DC	External	2	1500	2	10	R422101268
5/2, double solenoid	with detent	1/4 - 18 NPTF	1/4 - 18 NPTF	-0.9	10	110 V AC	External		1500	2	10	R422101270
5/2, double solenoid	with detent	1/4 - 18 NPTF	1/4 - 18 NPTF	-0.9	10	230 V AC	External		1500	2	10	R422101271

Dimensions in inches



5/3-directional valve, Series TC15, double, with detend, AC

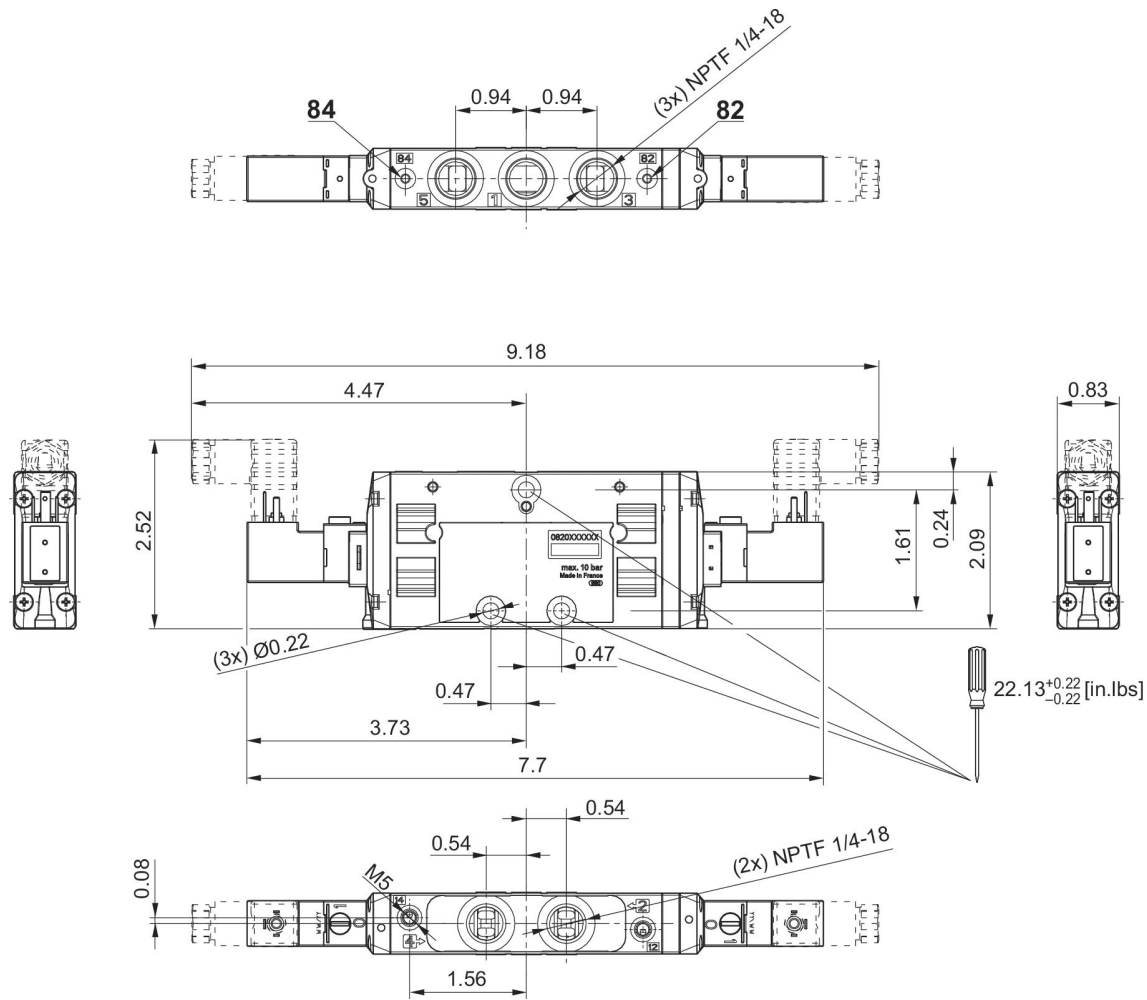
Flow: 1300 l/min
 Activation: Electrically
 Coil width: 15.6 mm
 Electrical connection 2, thread size: ISO 15217, form C
 Compressed air connection type: Internal thread
 Compressed air connection input: 1/4 - 18 NPTF
 Compressed air connection output: 1/4 - 18 NPTF
 Compressed air connection, exhaust: 1/4 - 18 NPTF
 Min. control pressure: 3 bar
 Max. control pressure: 10 bar
 Pilot valve width: 15 mm
 Duty cycle: 100 %
 Type: Spool valve, positive overlapping
 Min. ambient temperature: -10 °C
 Max. ambient temperature: 50 °C
 Max. working pressure: 10 bar



Valve function	Switching principle	MO	Compressed air connection input	Compressed air connection output	Min. working pressure [bar]	Max. working pressure [bar]	Operational voltage	Pilot	Power consumption DC [W]	Flow Qn [l/min]	Min. control pressure [bar]	Max. control pressure [bar]	Part No.
Closed Center	5/3, closed center	with detent	1/4 - 18 NPTF	1/4 - 18 NPTF	3	10	12 V DC	Internal	2	1300	3	10	R422101272
Closed Center	5/3, closed center	with detent	1/4 - 18 NPTF	1/4 - 18 NPTF	3	10	110 V AC	Internal		1300	3	10	R422101274
Closed Center	5/3, closed center	with detent	1/4 - 18 NPTF	1/4 - 18 NPTF	3	10	230 V AC	Internal		1300	3	10	R422101275
Closed Center	5/3, closed center	with detent	1/4 - 18 NPTF	1/4 - 18 NPTF	-0.9	10	12 V DC	External	2	1300	3	10	R422101276
Closed Center	5/3, closed center	with detent	1/4 - 18 NPTF	1/4 - 18 NPTF	-0.9	10	110 V AC	External		1300	3	10	R422101278
Closed Center	5/3, closed center	with detent	1/4 - 18 NPTF	1/4 - 18 NPTF	-0.9	10	230 V AC	External		1300	3	10	R422101279
Exhausted Center	5/3, exhausted center	with detent	1/4 - 18 NPTF	1/4 - 18 NPTF	3	10	12 V DC	Internal	2	1300	3	10	R422101280
Exhausted Center	5/3, exhausted center	with detent	1/4 - 18 NPTF	1/4 - 18 NPTF	3	10	110 V AC	Internal		1300	3	10	R422101282
Exhausted Center	5/3, exhausted center	with detent	1/4 - 18 NPTF	1/4 - 18 NPTF	3	10	230 V AC	Internal		1300	3	10	R422101283
Exhausted Center	5/3, exhausted center	with detent	1/4 - 18 NPTF	1/4 - 18 NPTF	-0.9	10	12 V DC	External	2	1300	3	10	R422101284
Exhausted Center	5/3, exhausted center	with detent	1/4 - 18 NPTF	1/4 - 18 NPTF	-0.9	10	110 V AC	External		1300	3	10	R422101286

Valve function	Switching principle	MO	Compressed air connection input	Compressed air connection output	Min. working pressure [bar]	Max. working pressure [bar]	Operational voltage	Pilot	Power consumption DC [W]	Flow Qn [l/min]	Min. control pressure [bar]	Max. control pressure [bar]	Part No.
Center	center												
Exhausted Center	5/3, exhausted center	with detent	1/4 - 18 NPTF	1/4 - 18 NPTF	-0.9	10	230 V AC	External		1300	3	10	R422101287
Pressurized Center	5/3, pressurized center	with detent	1/4 - 18 NPTF	1/4 - 18 NPTF	3	10	12 V DC	Internal	2	1300	3	10	R422101288
Pressurized Center	5/3, pressurized center	with detent	1/4 - 18 NPTF	1/4 - 18 NPTF	3	10	110 V AC	Internal		1300	3	10	R422101290
Pressurized Center	5/3, pressurized center	with detent	1/4 - 18 NPTF	1/4 - 18 NPTF	3	10	230 V AC	Internal		1300	3	10	R422101291
Pressurized Center	5/3, pressurized center	with detent	1/4 - 18 NPTF	1/4 - 18 NPTF	-0.9	10	12 V DC	External	2	1300	3	10	R422101292
Pressurized Center	5/3, pressurized center	with detent	1/4 - 18 NPTF	1/4 - 18 NPTF	-0.9	10	110 V AC	External		1300	3	10	R422101294
Pressurized Center	5/3, pressurized center	with detent	1/4 - 18 NPTF	1/4 - 18 NPTF	-0.9	10	230 V AC	External		1300	3	10	R422101295

Dimensions in inches



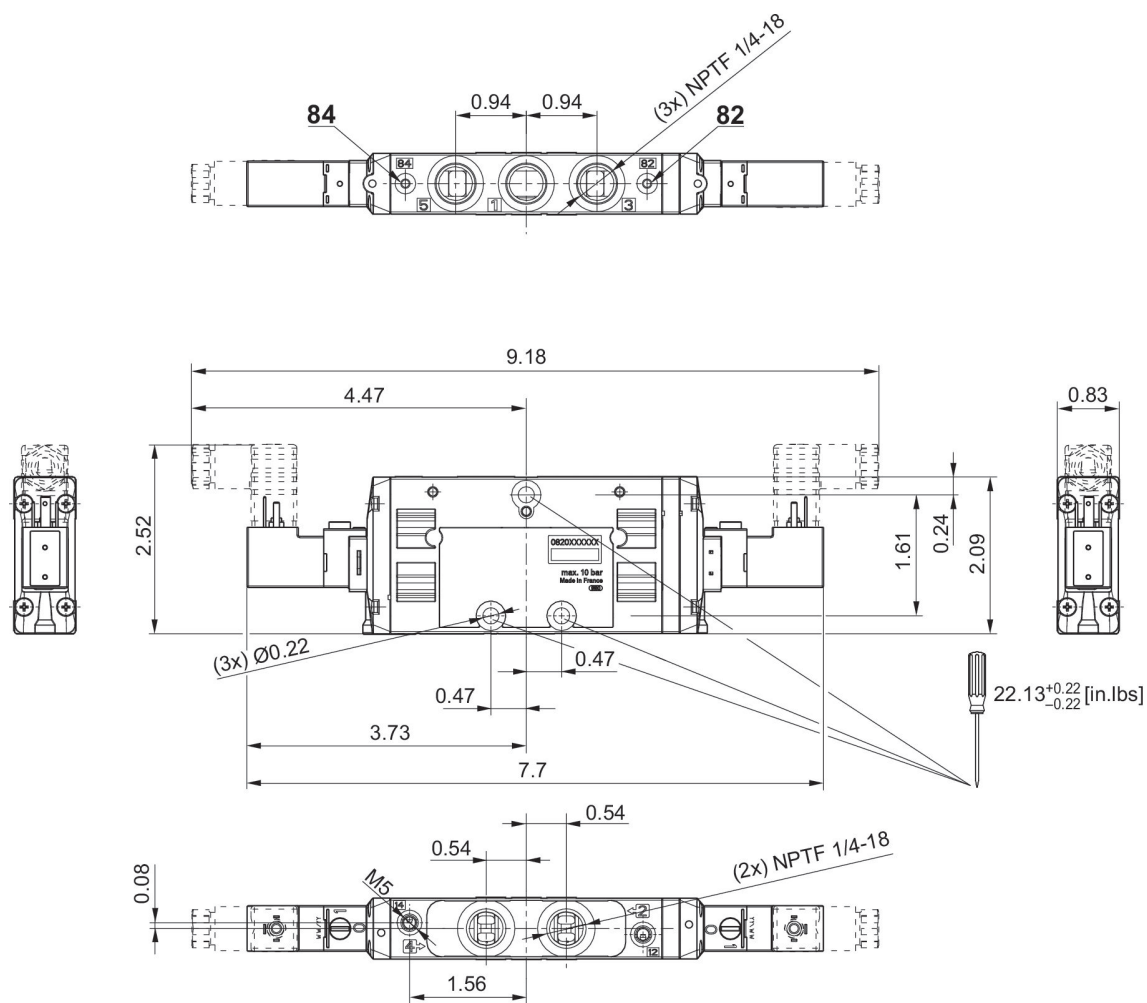
5/3-directional valve, Series TC15, double, with detend, DC

Flow: 1300 l/min
 Activation: Electrically
 Coil width: 15.6 mm
 Electrical connection 2, thread size: ISO 15217, form C
 Compressed air connection type: Internal thread
 Compressed air connection input: 1/4 - 18 NPTF
 Compressed air connection output: 1/4 - 18 NPTF
 Compressed air connection, exhaust: 1/4 - 18 NPTF
 Min. control pressure: 3 bar
 Max. control pressure: 10 bar
 Pilot valve width: 15 mm
 Duty cycle: 100 %
 Type: Spool valve, positive overlapping
 Min. ambient temperature: -10 °C
 Max. ambient temperature: 50 °C
 Max. working pressure: 10 bar



Valve function	Switching principle	MO	Compressed air connection input	Compressed air connection output	Min. working pressure [bar]	Max. working pressure [bar]	Operational voltage	Pilot	Power consumption DC [W]	Flow Qn [l/min]	Min. control pressure [bar]	Max. control pressure [bar]	Part No.
Closed Center	5/3, closed center	with detent	1/4 - 18 NPTF	1/4 - 18 NPTF	3	10	24 V DC	Internal	2	1300	3	10	R422101273
Closed Center	5/3, closed center	with detent	1/4 - 18 NPTF	1/4 - 18 NPTF	-0.9	10	24 V DC	External	2	1300	3	10	R422101277
Exhausted Center	5/3, exhausted center	with detent	1/4 - 18 NPTF	1/4 - 18 NPTF	3	10	24 V DC	Internal	2	1300	3	10	R422101281
Exhausted Center	5/3, exhausted center	with detent	1/4 - 18 NPTF	1/4 - 18 NPTF	-0.9	10	24 V DC	External	2	1300	3	10	R422101285
Presurized Center	5/3, presurized center	with detent	1/4 - 18 NPTF	1/4 - 18 NPTF	3	10	24 V DC	Internal	2	1300	3	10	R422101289
Presurized Center	5/3, presurized center	with detent	1/4 - 18 NPTF	1/4 - 18 NPTF	-0.9	10	24 V DC	External	2	1300	3	10	R422101293

Dimensions in inches



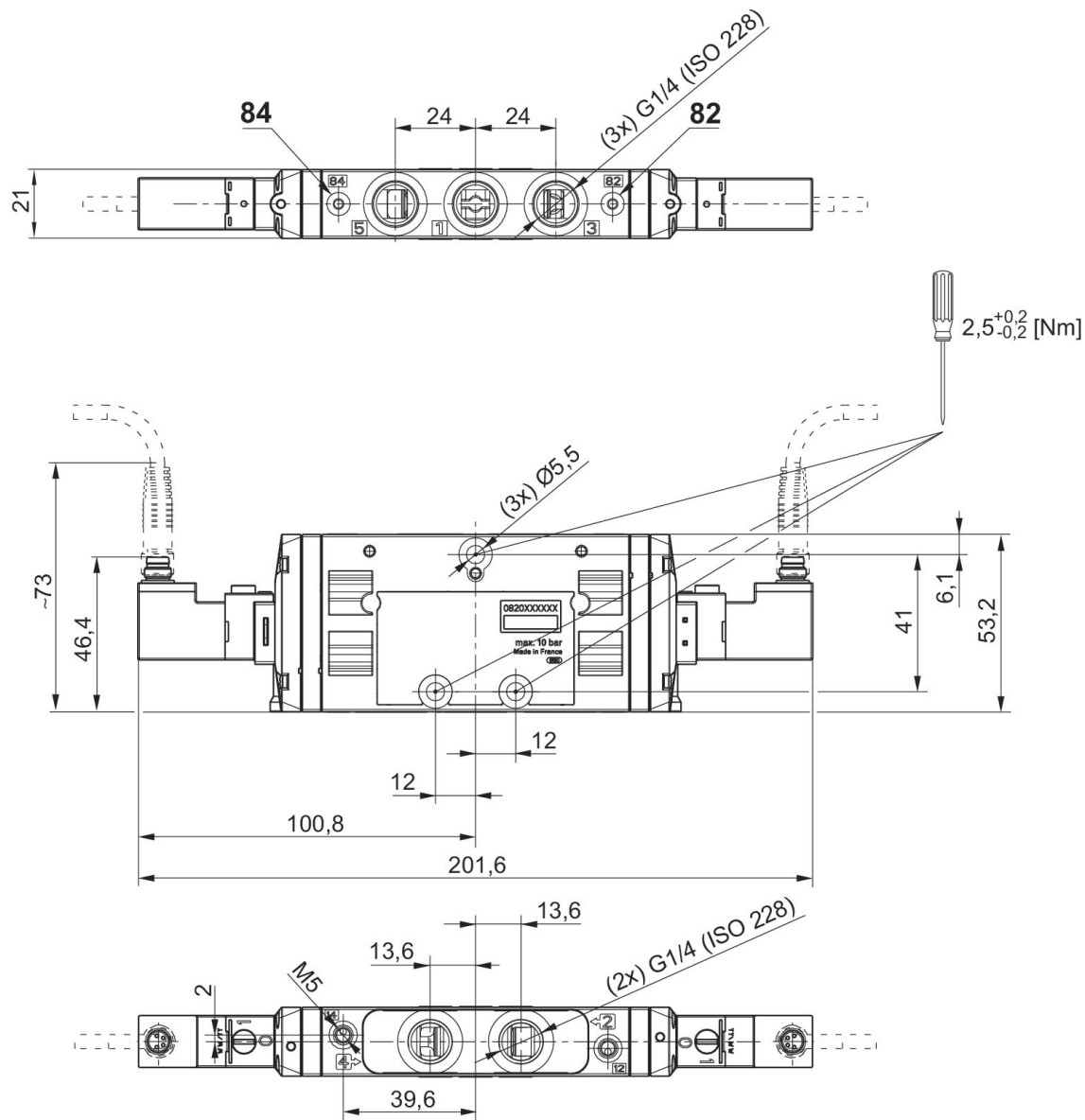
2x3/2-directional valve, Series TC15, with detent

Flow: 1100 l/min
 Activation: Electrically
 Coil width: 15.6 mm
 Electrical connection 2, thread size: M8
 Compressed air connection type: Internal thread
 Electrical connection 2, number of poles: 3-pin
 Compressed air connection input: G 1/4
 Compressed air connection output: G 1/4
 Compressed air connection, exhaust: G 1/4
 Min. control pressure: 3 bar
 Max. control pressure: 10 bar
 Pilot valve width: 15 mm
 Duty cycle: 100 %
 Type: Spool valve, positive overlapping
 Min. ambient temperature: -10 °C
 Max. ambient temperature: 50 °C
 Max. working pressure: 10 bar



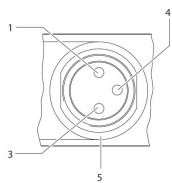
Valve function	Switching principle	MO	Compressed air connection input	Compressed air connection output	Min. working pressure [bar]	Max. working pressure [bar]	Operational voltage	Pilot	Power consumption DC [W]	Flow Qn [l/min]	Min. control pressure [bar]	Max. control pressure [bar]	Part No.
NC/NC	2x 3/2 NC/NC, with spring return	with detent	G 1/4	G 1/4	3	10	24 V DC	Internal	2.2	1100	3	10	R422102190
NO/NO	2x 3/2 NO/NO, with spring return	with detent	G 1/4	G 1/4	3	10	24 V DC	Internal	2.2	1100	3	10	R422102191
NC/NO	2x 3/2 NC/NO, with spring return	with detent	G 1/4	G 1/4	3	10	24 V DC	Internal	2.2	1100	3	10	R422102192
NC/NC	2x 3/2 NC/NC, with spring return	with detent	G 1/4	G 1/4	-0.9	10	24 V DC	External	2.2	1100	3	10	R422102193
NO/NO	2x 3/2 NO/NO, with spring return	with detent	G 1/4	G 1/4	-0.9	10	24 V DC	External	2.2	1100	3	10	R422102194
NC/NO	2x 3/2 NC/NO, with spring return	with detent	G 1/4	G 1/4	-0.9	10	24 V DC	External	2.2	1100	3	10	R422102195

Dimensions



R422102190, R422102191, R422102192, R422102193, R422102194, R422102195

PIN assignment and cable colors for valve plug connectors



PIN assignment: 1) PIN not assigned 3) 0 V 4) 24 V 5) LED Cable color 1) Brown 3) Blue 4) Black
Note: Bi-polar protective circuit to prevent overvoltage

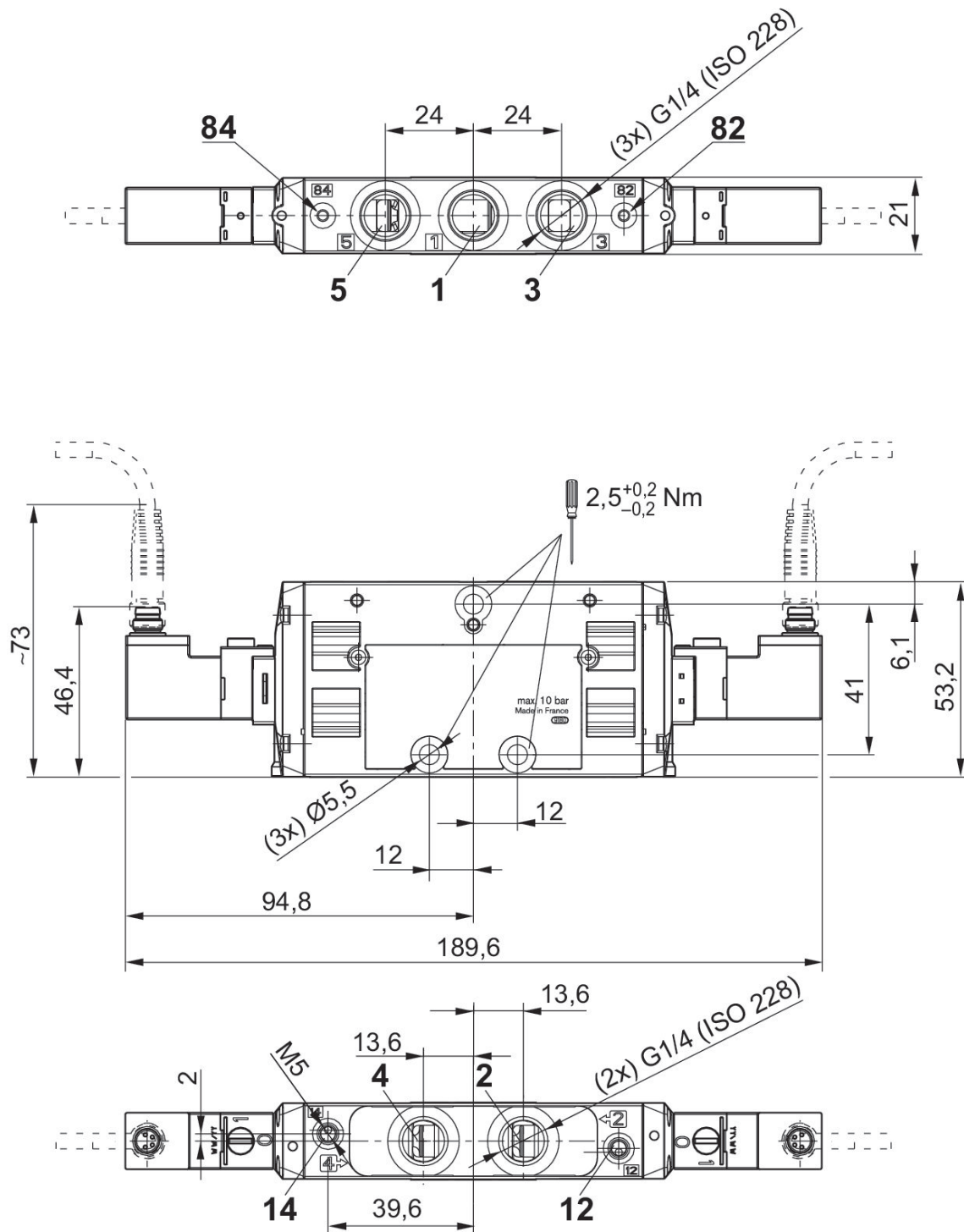
5/2-directional valve, Series TC15, double,

Flow: 1500 l/min
 Activation: Electrically
 Coil width: 15.6 mm
 Electrical connection 2, thread size: M8
 Compressed air connection type: Internal thread
 Electrical connection 2, number of poles: 3-pin
 Compressed air connection input: G 1/4
 Compressed air connection output: G 1/4
 Max. control pressure: 10 bar
 Pilot valve width: 15 mm
 Duty cycle: 100 %
 Type: Spool valve, positive overlapping
 Min. ambient temperature: -10 °C
 Max. ambient temperature: 50 °C
 Max. working pressure: 10 bar



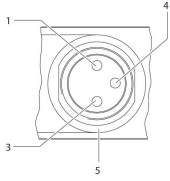
Switching principle	MO	Compressed air connection input	Compressed air connection output	Min. working pressure [bar]	Max. working pressure [bar]	Operational voltage	Pilot	Power consumption DC [W]	Flow Qn [l/min]	Min. control pressure [bar]	Max. control pressure [bar]	Part No.
5/2, double solenoid	with de-tent	G 1/4	G 1/4	2	10	24 V DC	Internal	2.2	1500	2	10	R422100990
5/2, double solenoid	with de-tent	G 1/4	G 1/4	-0.9	10	24 V DC	External	2.2	1500	2	10	R422100991

Dimensions



R422100990, R422100991

PIN assignment and cable colors for valve plug connectors



PIN assignment: 1) PIN not assigned 3) 0 V 4) 24 V 5) LED Cable color 1) Brown 3) Blue 4) Black
Note: Bi-polar protective circuit to prevent overvoltage

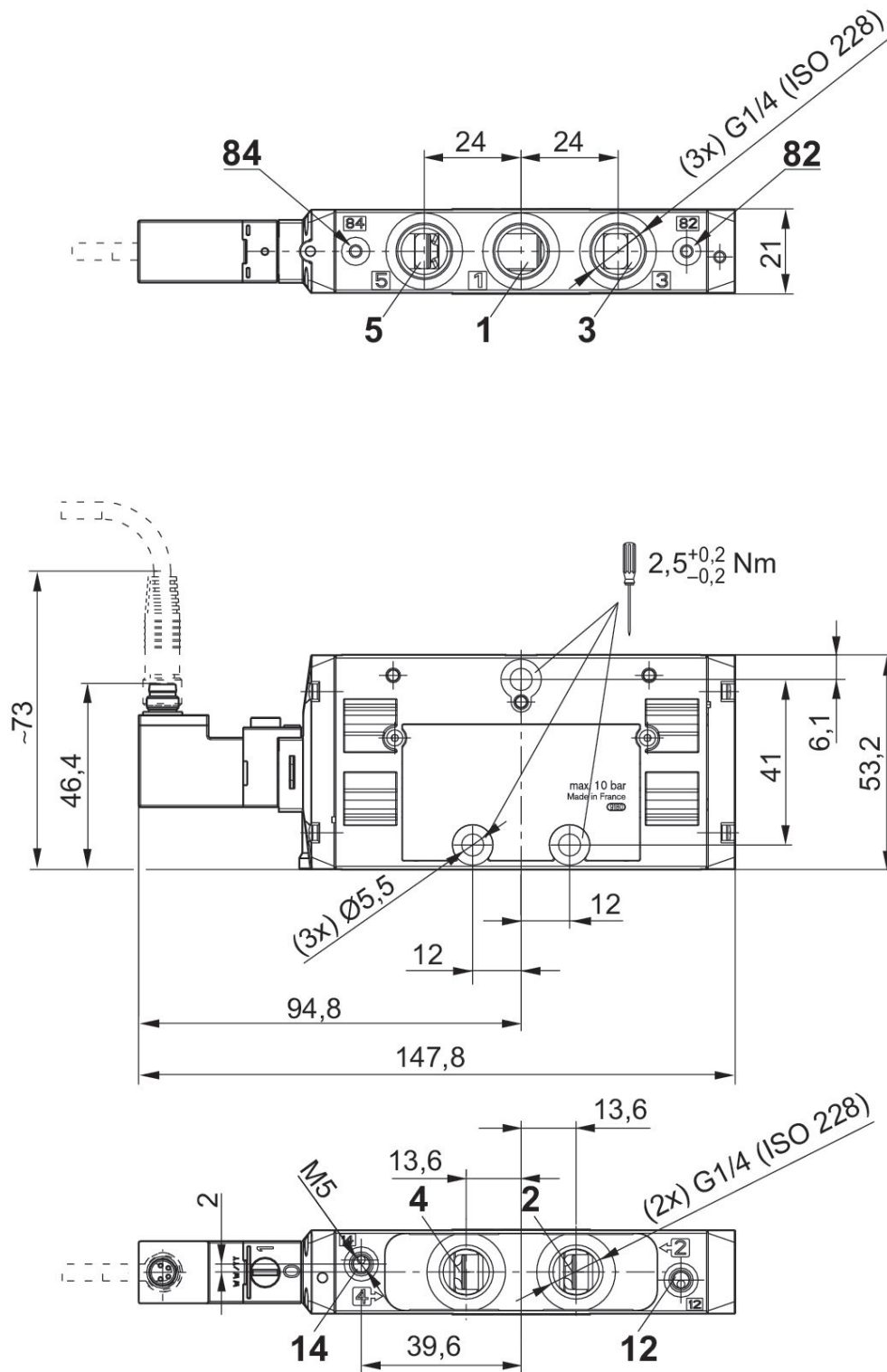
5/2-directional valve, Series TC15, with detent, DC

Flow: 1500 l/min
 Activation: Electrically
 Coil width: 15.6 mm
 Electrical connection 2, thread size: M8
 Compressed air connection type: Internal thread
 Electrical connection 2, number of poles: 3-pin
 Compressed air connection input: G 1/4
 Compressed air connection output: G 1/4
 Max. control pressure: 10 bar
 Pilot valve width: 15 mm
 Duty cycle: 100 %
 Type: Spool valve, positive overlapping
 Min. ambient temperature: -10 °C
 Max. ambient temperature: 50 °C
 Max. working pressure: 10 bar



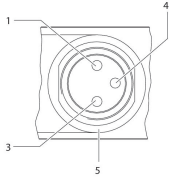
Switching principle	MO	Compressed air connection input	Compressed air connection output	Min. working pressure [bar]	Max. working pressure [bar]	Operational voltage	Pilot	Power consumption DC [W]	Flow Qn [l/min]	Min. control pressure [bar]	Max. control pressure [bar]	Part No.
5/2, with air spring return	with detent	G 1/4	G 1/4	2.5	10	24 V DC	Internal	2.2	1500	2.5	10	R422100986
5/2, with air spring return	with detent	G 1/4	G 1/4	-0.9	10	24 V DC	External	2.2	1500	2.5	10	R422100987
5/2, with spring return	with detent	G 1/4	G 1/4	3	10	24 V DC	Internal	2.2	1500	3	10	R422100988
5/2, with spring return	with detent	G 1/4	G 1/4	-0.9	10	24 V DC	External	2.2	1500	3	10	R422100989

Dimensions



R422100986, R422100987, R422100988, R422100989

PIN assignment and cable colors for valve plug connectors



PIN assignment: 1) PIN not assigned 3) 0 V 4) 24 V 5) LED Cable color 1) Brown 3) Blue 4) Black
Note: Bi-polar protective circuit to prevent overvoltage

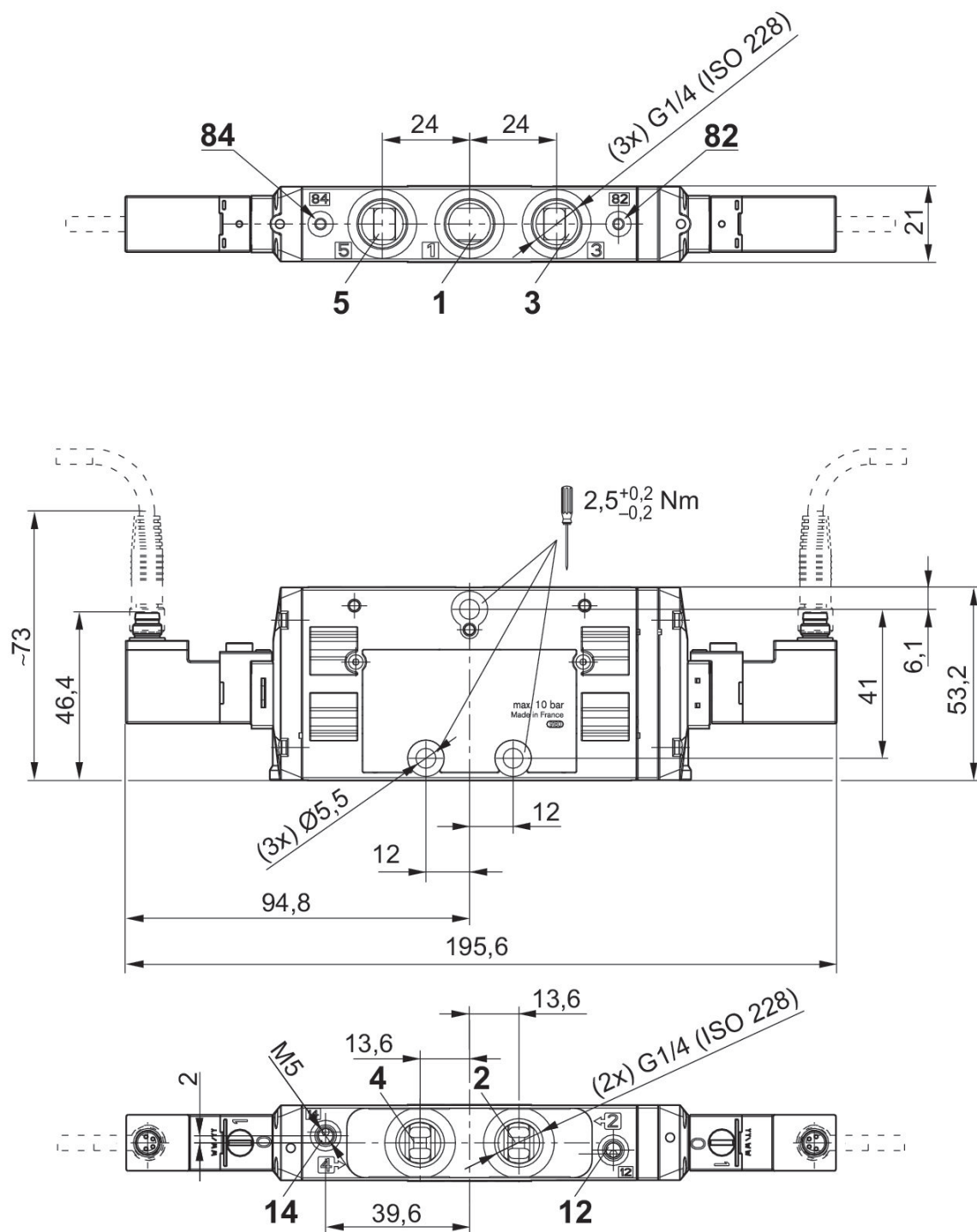
5/3-directional valve, Series TC15

Flow: 1300 l/min
 Activation: Electrically
 Coil width: 15.6 mm
 Electrical connection 2, thread size: M8
 Compressed air connection type: Internal thread
 Electrical connection 2, number of poles: 3-pin
 Compressed air connection input: G 1/4
 Compressed air connection output: G 1/4
 Min. control pressure: 3 bar
 Max. control pressure: 10 bar
 Pilot valve width: 15 mm
 Duty cycle: 100 %
 Type: Spool valve, positive overlapping
 Min. ambient temperature: -10 °C
 Max. ambient temperature: 50 °C
 Max. working pressure: 10 bar



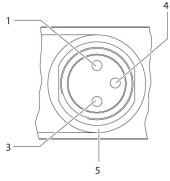
Valve function	Switching principle	MO	Compressed air connection input	Compressed air connection output	Min. working pressure [bar]	Max. working pressure [bar]	Operational voltage	Pilot	Power consumption DC [W]	Flow Qn [l/min]	Min. control pressure [bar]	Max. control pressure [bar]	Part No.
Closed Center	5/3, closed center	with de-tent	G 1/4	G 1/4	3	10	24 V DC	Internal	2.2	1300	3	10	R422100992
Closed Center	5/3, closed center	with de-tent	G 1/4	G 1/4	-0.9	10	24 V DC	External	2.2	1300	3	10	R422100993
Exhausted Center	5/3, exhausted center	with de-tent	G 1/4	G 1/4	3	10	24 V DC	Internal	2.2	1300	3	10	R422100994
Exhausted Center	5/3, exhausted center	with de-tent	G 1/4	G 1/4	-0.9	10	24 V DC	External	2.2	1300	3	10	R422100995
Pres-surized Center	5/3, pres-surized center	with de-tent	G 1/4	G 1/4	3	10	24 V DC	Internal	2.2	1300	3	10	R422100996
Pres-surized Center	5/3, pres-surized center	with de-tent	G 1/4	G 1/4	-0.9	10	24 V DC	External	2.2	1300	3	10	R422100997

Dimensions



R422100992, R422100993, R422100994, R422100995, R422100996, R422100997

PIN assignment and cable colors for valve plug connectors



PIN assignment: 1) PIN not assigned 3) 0 V 4) 24 V 5) LED Cable color 1) Brown 3) Blue 4) Black
Note: Bi-polar protective circuit to prevent overvoltage

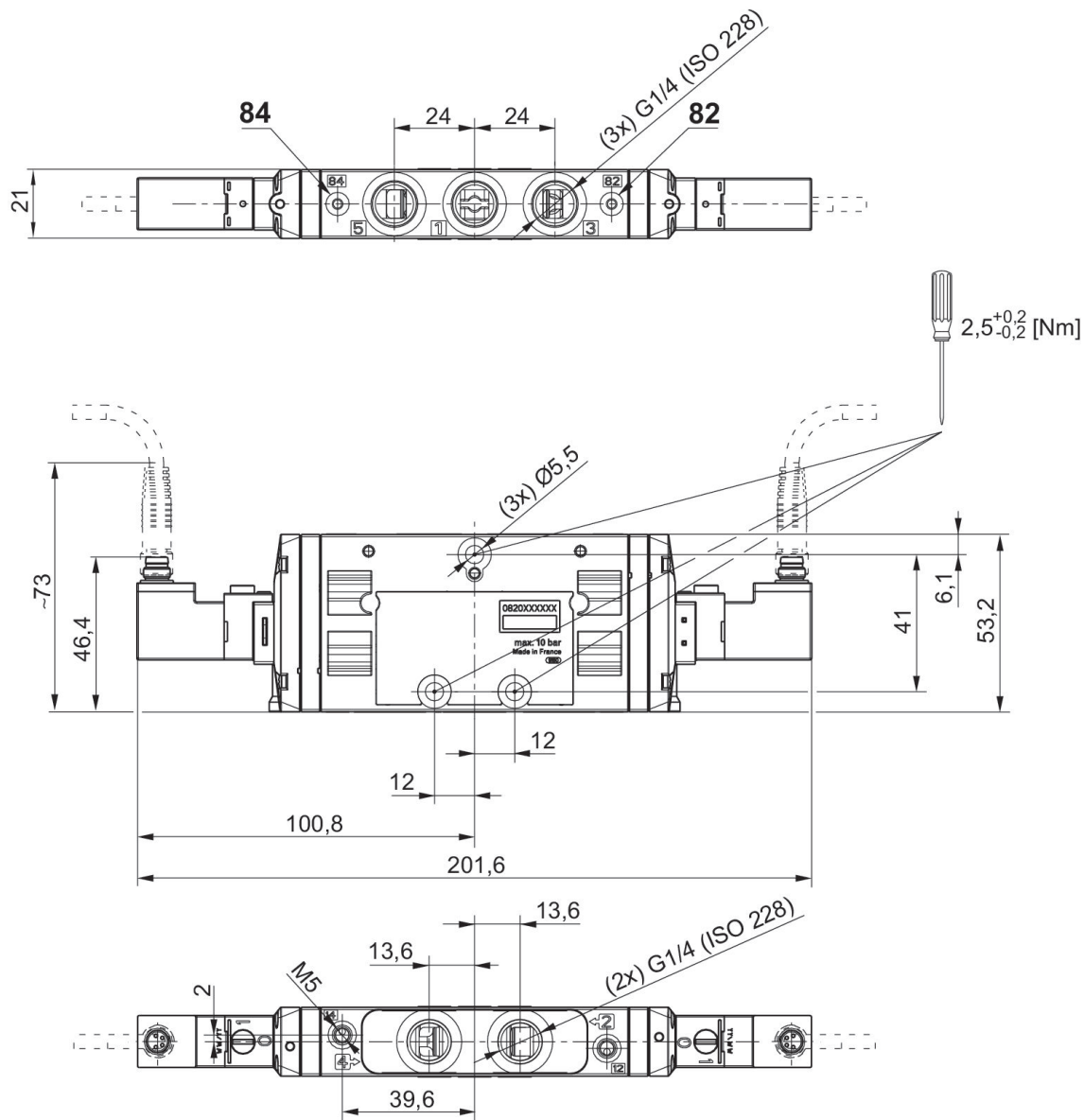
2x3/2-directional valve, Series TC15, with detent

Flow: 1100 l/min
 Activation: Electrically
 Coil width: 15.6 mm
 Electrical connection 2, thread size: M8
 Compressed air connection type: Internal thread
 Electrical connection 2, number of poles: 4-pin
 Compressed air connection input: G 1/4
 Compressed air connection output: G 1/4
 Compressed air connection, exhaust: G 1/4
 Min. control pressure: 3 bar
 Max. control pressure: 10 bar
 Pilot valve width: 15 mm
 Duty cycle: 100 %
 Type: Spool valve, positive overlapping
 Min. ambient temperature: -10 °C
 Max. ambient temperature: 50 °C
 Max. working pressure: 10 bar



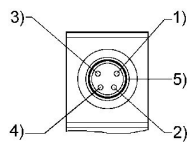
Valve function	Switching principle	MO	Compressed air connection input	Compressed air connection output	Min. working pressure [bar]	Max. working pressure [bar]	Operational voltage	Pilot	Power consumption DC [W]	Flow Qn [l/min]	Min. control pressure [bar]	Max. control pressure [bar]	Part No.
NC/NC	2x 3/2 NC/NC, with spring return	with detent	G 1/4	G 1/4	3	10	24 V DC	Internal	2.2	1100	3	10	R422102178
NO/NO	2x 3/2 NO/NO, with spring return	with detent	G 1/4	G 1/4	3	10	24 V DC	Internal	2.2	1100	3	10	R422102179
NC/NO	2x 3/2 NC/NO, with spring return	with detent	G 1/4	G 1/4	3	10	24 V DC	Internal	2.2	1100	3	10	R422102180
NC/NC	2x 3/2 NC/NC, with spring return	with detent	G 1/4	G 1/4	-0.9	10	24 V DC	External	2.2	1100	3	10	R422102181
NO/NO	2x 3/2 NO/NO, with spring return	with detent	G 1/4	G 1/4	-0.9	10	24 V DC	External	2.2	1100	3	10	R422102182
NC/NO	2x 3/2 NC/NO, with spring return	with detent	G 1/4	G 1/4	-0.9	10	24 V DC	External	2.2	1100	3	10	R422102183

Dimensions



R422102178, R422102179, R422102180, R422102181, R422102182, R422102183

PIN assignment and cable colors for valve plug connectors



PIN assignment: 1) PIN not assigned 2) PIN not assigned 3) 0 V 4) 24 V 5) LED Cable colors 1) Brown 2) White 3) Blue 4) Black

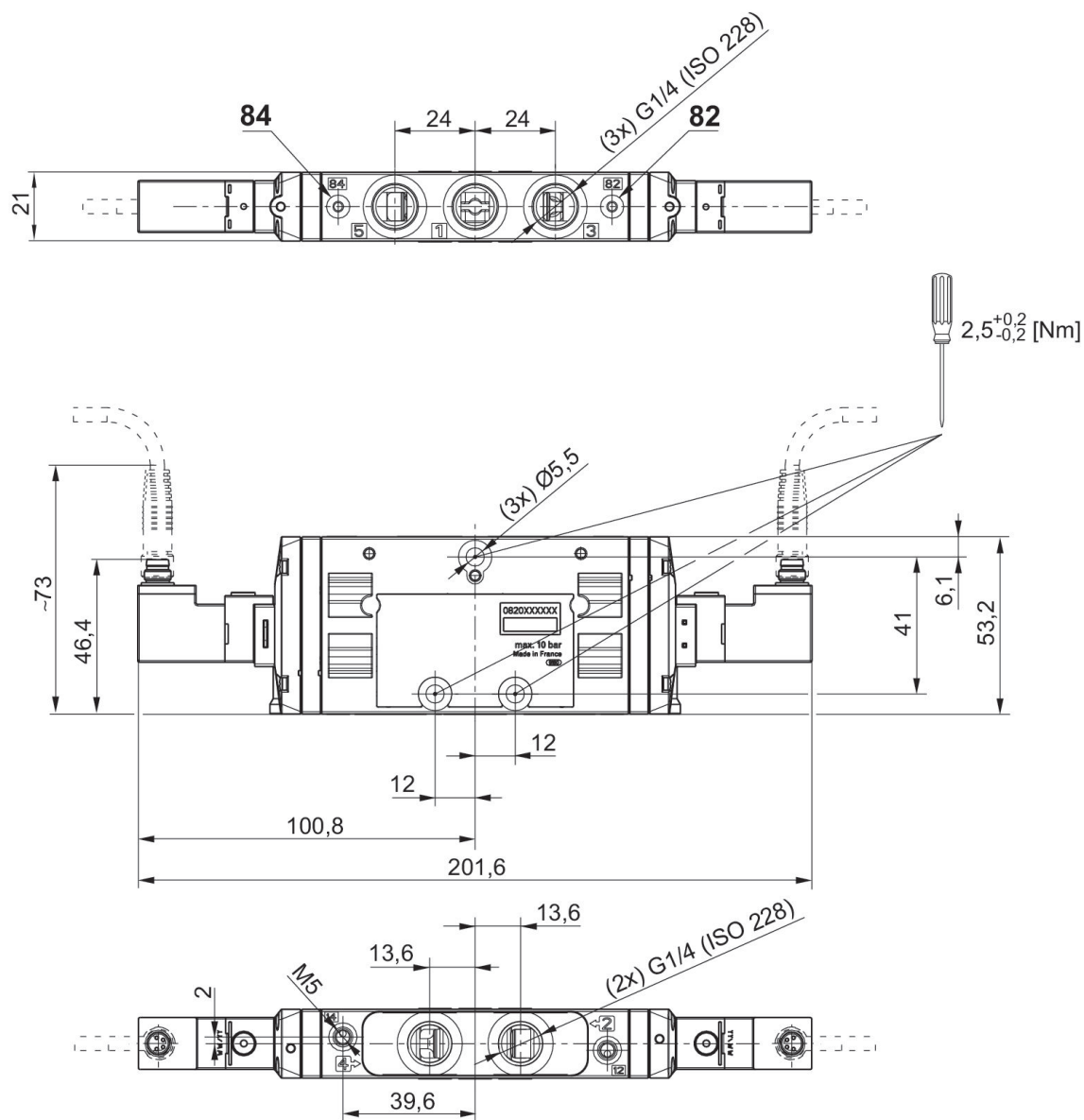
2x3/2-directional valve, Series TC15, without detent

Flow: 1100 l/min
 Activation: Electrically
 Coil width: 15.6 mm
 Electrical connection 2, thread size: M8
 Compressed air connection type: Internal thread
 Electrical connection 2, number of poles: 4-pin
 Compressed air connection input: G 1/4
 Compressed air connection output: G 1/4
 Compressed air connection, exhaust: G 1/4
 Min. control pressure: 3 bar
 Max. control pressure: 10 bar
 Pilot valve width: 15 mm
 Duty cycle: 100 %
 Type: Spool valve, positive overlapping
 Min. ambient temperature: -10 °C
 Max. ambient temperature: 50 °C
 Max. working pressure: 10 bar



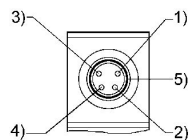
Valve function	Switching principle	MO	Compressed air connection input	Compressed air connection output	Min. working pressure [bar]	Max. working pressure [bar]	Operational voltage	Pilot	Power consumption DC [W]	Flow Qn [l/min]	Min. control pressure [bar]	Max. control pressure [bar]	Part No.
NC/NC	2x 3/2 NC/NC, with spring return	without detent	G 1/4	G 1/4	3	10	24 V DC	Internal	2.2	1100	3	10	R422102184
NO/NO	2x 3/2 NO/NO, with spring return	without detent	G 1/4	G 1/4	3	10	24 V DC	Internal	2.2	1100	3	10	R422102185
NC/NO	2x 3/2 NC/NO, with spring return	without detent	G 1/4	G 1/4	3	10	24 V DC	Internal	2.2	1100	3	10	R422102186
NC/NC	2x 3/2 NC/NC, with spring return	without detent	G 1/4	G 1/4	-0.9	10	24 V DC	External	2.2	1100	3	10	R422102187
NO/NO	2x 3/2 NO/NO, with spring return	without detent	G 1/4	G 1/4	-0.9	10	24 V DC	External	2.2	1100	3	10	R422102188
NC/NO	2x 3/2 NC/NO, with spring return	without detent	G 1/4	G 1/4	-0.9	10	24 V DC	External	2.2	1100	3	10	R422102189

Dimensions



R422102184, R422102185, R422102186, R422102187, R422102188, R422102189

PIN assignment and cable colors for valve plug connectors



PIN assignment: 1) PIN not assigned 2) PIN not assigned 3) 0 V 4) 24 V 5) LED Cable colors 1) Brown 2) White 3) Blue 4) Black

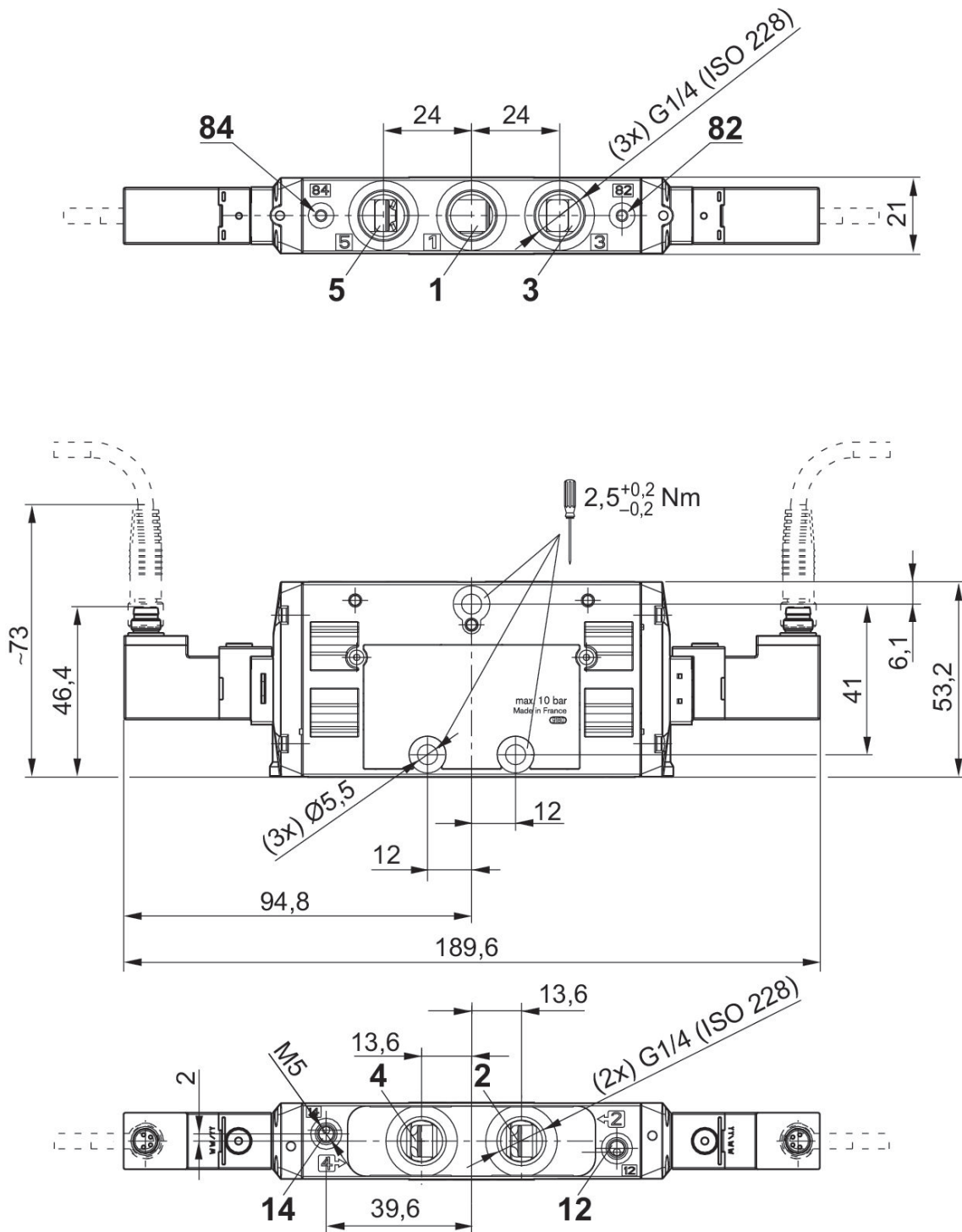
5/2-directional valve, Series TC15, double,

Flow: 1500 l/min
 Activation: Electrically
 Coil width: 15.6 mm
 Electrical connection 2, thread size: M8
 Compressed air connection type: Internal thread
 Electrical connection 2, number of poles: 4-pin
 Compressed air connection input: G 1/4
 Compressed air connection output: G 1/4
 Max. control pressure: 10 bar
 Pilot valve width: 15 mm
 Duty cycle: 100 %
 Type: Spool valve, positive overlapping
 Min. ambient temperature: -10 °C
 Max. ambient temperature: 50 °C
 Max. working pressure: 10 bar



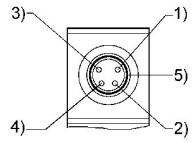
Switching principle	MO	Compressed air connection input	Compressed air connection output	Min. working pressure [bar]	Max. working pressure [bar]	Operational voltage	Pilot	Power consumption DC [W]	Flow Qn [l/min]	Min. control pressure [bar]	Max. control pressure [bar]	Part No.
5/2, double solenoid	without detent	G 1/4	G 1/4	2	10	24 V DC	Internal	2.2	1500	2	10	0820058321
5/2, double solenoid	without detent	G 1/4	G 1/4	-0.9	10	24 V DC	External	2.2	1500	2	10	0820058371

Dimensions



0820058321, 0820058371

PIN assignment and cable colors for valve plug connectors



PIN assignment: 1) PIN not assigned 2) PIN not assigned 3) 0 V 4) 24 V 5) LED Cable colors 1) Brown 2) White 3) Blue 4) Black

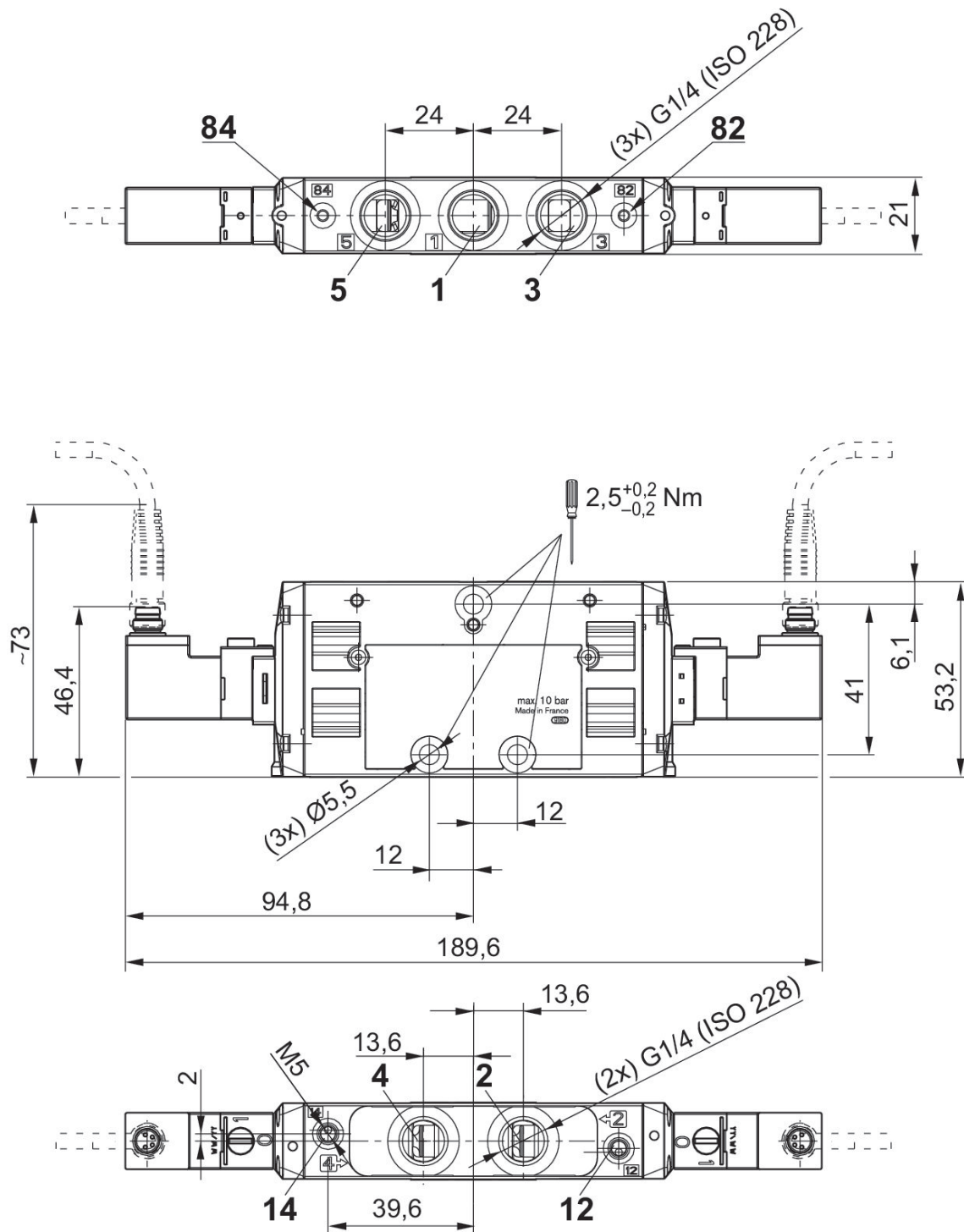
5/2-directional valve, Series TC15, double,

Flow: 1500 l/min
 Activation: Electrically
 Coil width: 15.6 mm
 Electrical connection 2, thread size: M8
 Compressed air connection type: Internal thread
 Electrical connection 2, number of poles: 4-pin
 Compressed air connection input: G 1/4
 Compressed air connection output: G 1/4
 Max. control pressure: 10 bar
 Pilot valve width: 15 mm
 Duty cycle: 100 %
 Type: Spool valve, positive overlapping
 Min. ambient temperature: -10 °C
 Max. ambient temperature: 50 °C
 Max. working pressure: 10 bar



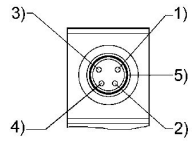
Switching principle	MO	Compressed air connection input	Compressed air connection output	Min. working pressure [bar]	Max. working pressure [bar]	Operational voltage	Pilot	Power consumption DC [W]	Flow Qn [l/min]	Min. control pressure [bar]	Max. control pressure [bar]	Part No.
5/2, double solenoid	with de-tent	G 1/4	G 1/4	2	10	24 V DC	Internal	2.2	1500	2	10	0820058221
5/2, double solenoid	with de-tent	G 1/4	G 1/4	-0.9	10	24 V DC	External	2.2	1500	2	10	0820058271

Dimensions



0820058221, 0820058271

PIN assignment and cable colors for valve plug connectors



PIN assignment: 1) PIN not assigned 2) PIN not assigned 3) 0 V 4) 24 V 5) LED Cable colors 1) Brown 2) White 3) Blue 4) Black

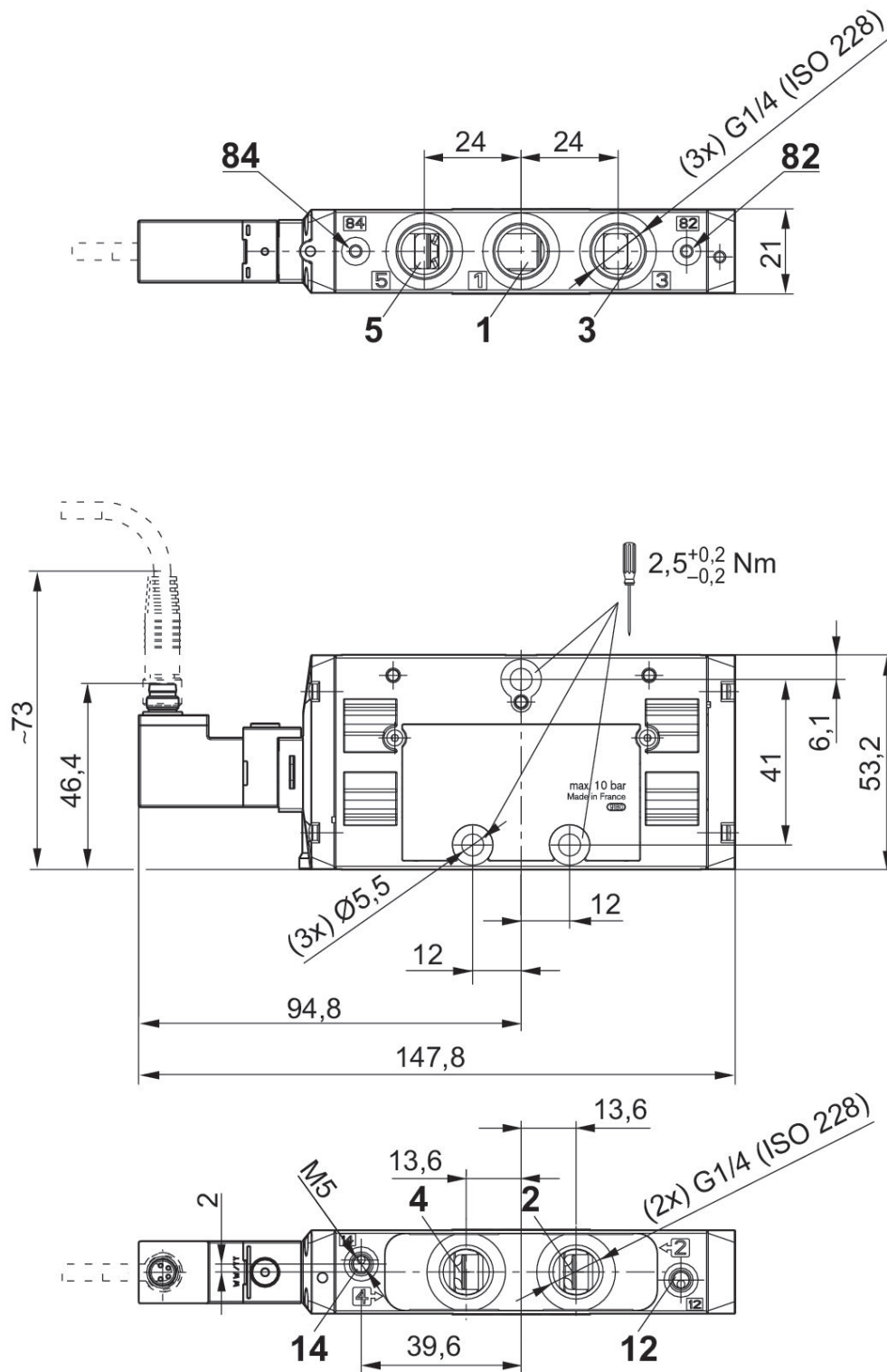
5/2-directional valve, Series TC15, without detent, DC

Flow: 1500 l/min
 Activation: Electrically
 Coil width: 15.6 mm
 Electrical connection 2, thread size: M8
 Compressed air connection type: Internal thread
 Electrical connection 2, number of poles: 4-pin
 Compressed air connection input: G 1/4
 Compressed air connection output: G 1/4
 Max. control pressure: 10 bar
 Pilot valve width: 15 mm
 Duty cycle: 100 %
 Type: Spool valve, positive overlapping
 Min. ambient temperature: -10 °C
 Max. ambient temperature: 50 °C
 Max. working pressure: 10 bar



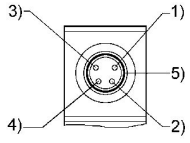
Switching principle	MO	Compressed air connection input	Compressed air connection output	Min. working pressure [bar]	Max. working pressure [bar]	Operational voltage	Pilot	Power consumption DC [W]	Flow Qn [l/min]	Min. control pressure [bar]	Max. control pressure [bar]	Part No.
5/2, with air spring return	without detent	G 1/4	G 1/4	2.5	10	24 V DC	Internal	2.2	1500	2.5	10	0820058301
5/2, with air spring return	without detent	G 1/4	G 1/4	-0.9	10	24 V DC	External	2.2	1500	2.5	10	0820058351
5/2, with spring return	without detent	G 1/4	G 1/4	3	10	24 V DC	Internal	2.2	1500	3	10	0820058311
5/2, with spring return	without detent	G 1/4	G 1/4	-0.9	10	24 V DC	External	2.2	1500	3	10	0820058361

Dimensions



0820058301, 0820058351, 0820058311, 0820058361

PIN assignment and cable colors for valve plug connectors



PIN assignment: 1) PIN not assigned 2) PIN not assigned 3) 0 V 4) 24 V 5) LED Cable colors 1) Brown 2) White 3) Blue 4) Black

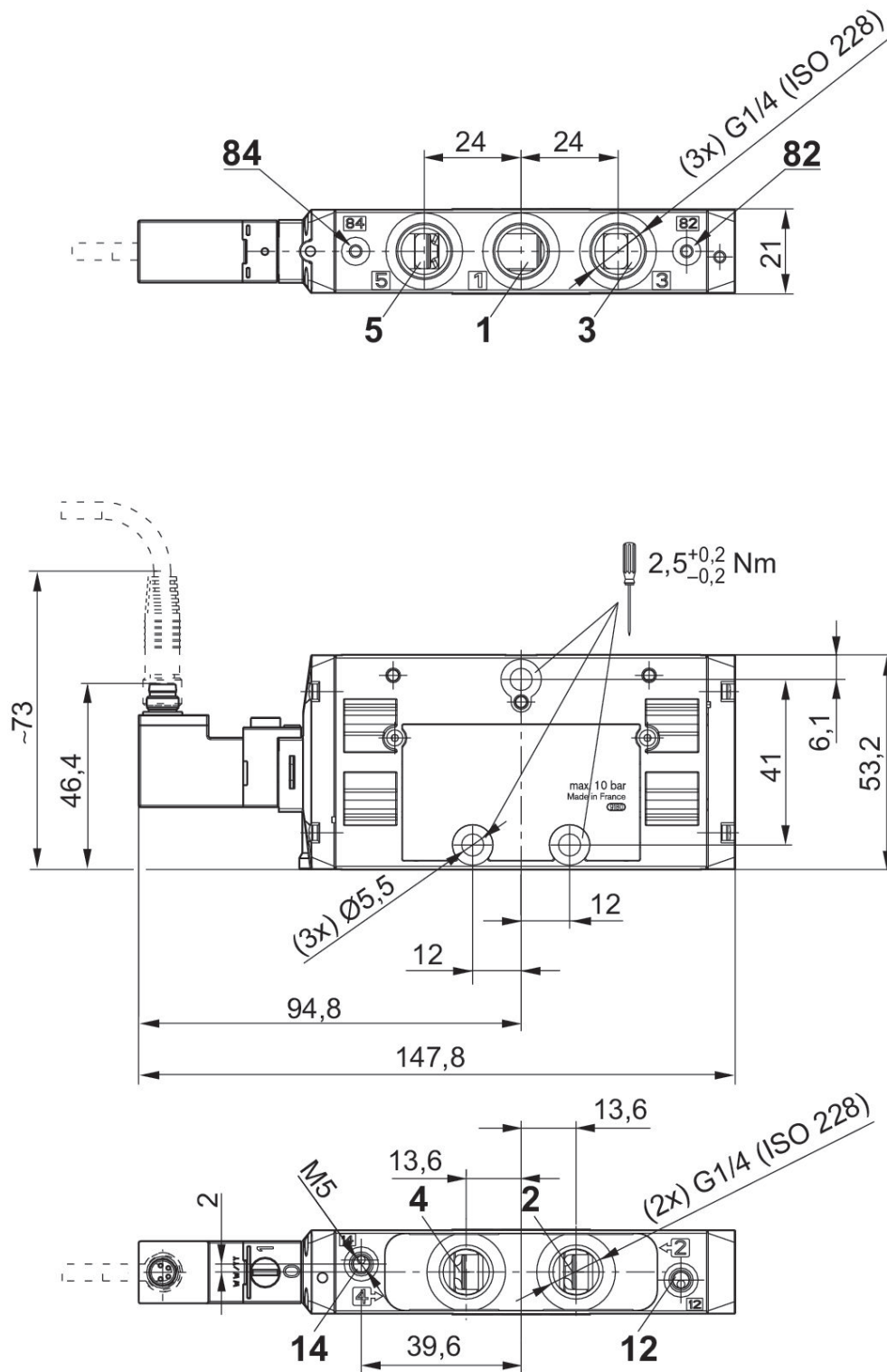
5/2-directional valve, Series TC15, with detent, DC

Flow: 1500 l/min
 Activation: Electrically
 Coil width: 15.6 mm
 Electrical connection 2, thread size: M8
 Compressed air connection type: Internal thread
 Electrical connection 2, number of poles: 4-pin
 Compressed air connection input: G 1/4
 Compressed air connection output: G 1/4
 Max. control pressure: 10 bar
 Pilot valve width: 15 mm
 Duty cycle: 100 %
 Type: Spool valve, positive overlapping
 Min. ambient temperature: -10 °C
 Max. ambient temperature: 50 °C
 Max. working pressure: 10 bar



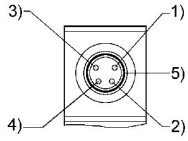
Switching principle	MO	Compressed air connection input	Compressed air connection output	Min. working pressure [bar]	Max. working pressure [bar]	Operational voltage	Pilot	Power consumption DC [W]	Flow Qn [l/min]	Min. control pressure [bar]	Max. control pressure [bar]	Part No.
5/2, with air spring return	with detent	G 1/4	G 1/4	2.5	10	24 V DC	Internal	2.2	1500	2.5	10	0820058201
5/2, with air spring return	with detent	G 1/4	G 1/4	-0.9	10	24 V DC	External	2.2	1500	2.5	10	0820058251
5/2, with spring return	with detent	G 1/4	G 1/4	3	10	24 V DC	Internal	2.2	1500	3	10	0820058211
5/2, with spring return	with detent	G 1/4	G 1/4	-0.9	10	24 V DC	External	2.2	1500	3	10	0820058261

Dimensions



0820058201, 0820058251, 0820058211, 0820058261

PIN assignment and cable colors for valve plug connectors



PIN assignment: 1) PIN not assigned 2) PIN not assigned 3) 0 V 4) 24 V 5) LED Cable colors 1) Brown 2) White 3) Blue 4) Black

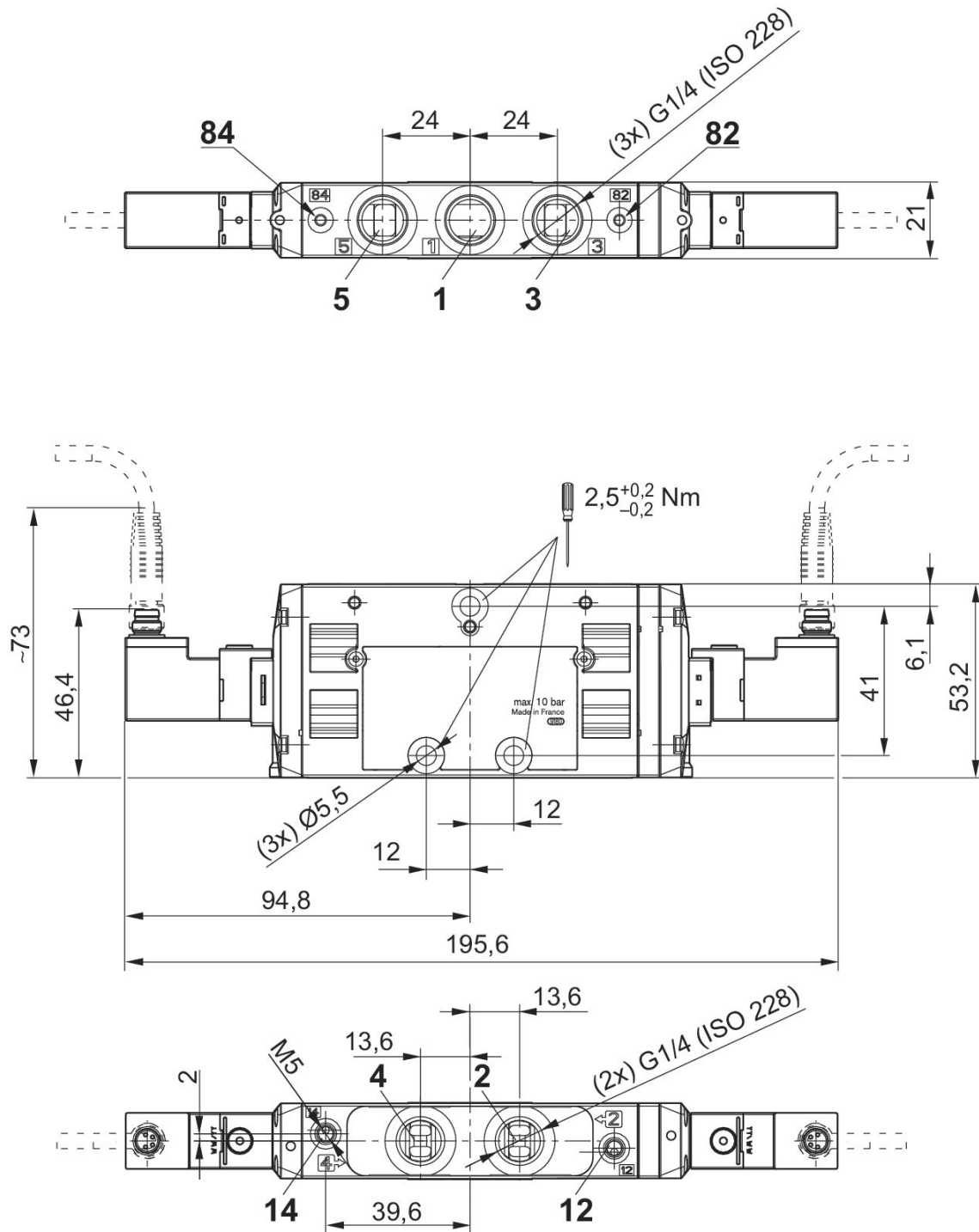
5/3-directional valve, Series TC15, double, without detent, DC

Flow: 1300 l/min
 Activation: Electrically
 Coil width: 15.6 mm
 Electrical connection 2, thread size: M8
 Compressed air connection type: Internal thread
 Electrical connection 2, number of poles: 4-pin
 Compressed air connection input: G 1/4
 Compressed air connection output: G 1/4
 Min. control pressure: 3 bar
 Max. control pressure: 10 bar
 Pilot valve width: 15 mm
 Duty cycle: 100 %
 Type: Spool valve, positive overlapping
 Min. ambient temperature: -10 °C
 Max. ambient temperature: 50 °C
 Max. working pressure: 10 bar



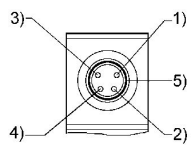
Valve function	Switching principle	MO	Compressed air connection input	Compressed air connection output	Min. working pressure [bar]	Max. working pressure [bar]	Operational voltage	Pilot	Power consumption DC [W]	Flow Qn [l/min]	Min. control pressure [bar]	Max. control pressure [bar]	Part No.
Closed Center	5/3, closed center	without detent	G 1/4	G 1/4	3	10	24 V DC	Internal	2.2	1300	3	10	0820059301
Closed Center	5/3, closed center	without detent	G 1/4	G 1/4	-0.9	10	24 V DC	External	2.2	1300	3	10	0820059351
Exhausted Center	5/3, exhausted center	without detent	G 1/4	G 1/4	3	10	24 V DC	Internal	2.2	1300	3	10	0820059311
Exhausted Center	5/3, exhausted center	without detent	G 1/4	G 1/4	-0.9	10	24 V DC	External	2.2	1300	3	10	0820059361
Presurized Center	5/3, presurized center	without detent	G 1/4	G 1/4	3	10	24 V DC	Internal	2.2	1300	3	10	0820059321
Presurized Center	5/3, presurized center	without detent	G 1/4	G 1/4	-0.9	10	24 V DC	External	2.2	1300	3	10	0820059371

Dimensions



0820059301, 0820059351, 0820059311, 0820059361, 0820059321, 0820059371

PIN assignment and cable colors for valve plug connectors



PIN assignment: 1) PIN not assigned 2) PIN not assigned 3) 0 V 4) 24 V 5) LED Cable colors 1) Brown 2) White 3) Blue 4) Black

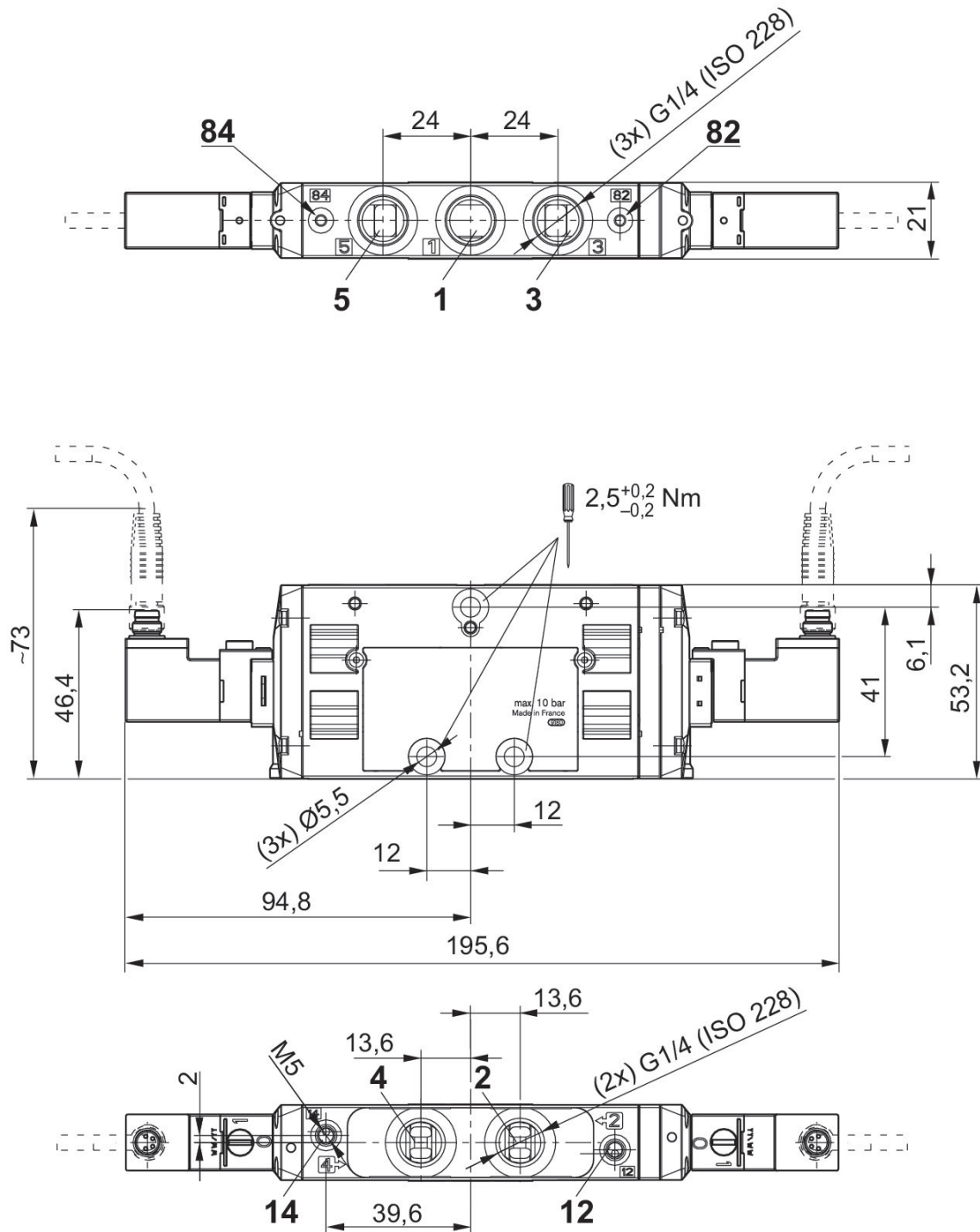
5/3-directional valve, Series TC15, double, with detend, DC

Flow: 1300 l/min
 Activation: Electrically
 Coil width: 15.6 mm
 Electrical connection 2, thread size: M8
 Compressed air connection type: Internal thread
 Electrical connection 2, number of poles: 4-pin
 Compressed air connection input: G 1/4
 Compressed air connection output: G 1/4
 Min. control pressure: 3 bar
 Max. control pressure: 10 bar
 Pilot valve width: 15 mm
 Duty cycle: 100 %
 Type: Spool valve, positive overlapping
 Min. ambient temperature: -10 °C
 Max. ambient temperature: 50 °C
 Max. working pressure: 10 bar



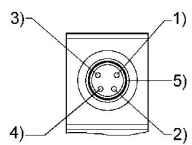
Valve function	Switching principle	MO	Compressed air connection input	Compressed air connection output	Min. working pressure [bar]	Max. working pressure [bar]	Operational voltage	Pilot	Power consumption DC [W]	Flow Qn [l/min]	Min. control pressure [bar]	Max. control pressure [bar]	Part No.
Closed Center	5/3, closed center	with detent	G 1/4	G 1/4	3	10	24 V DC	Internal	2.2	1300	3	10	0820059201
Closed Center	5/3, closed center	with detent	G 1/4	G 1/4	-0.9	10	24 V DC	External	2.2	1300	3	10	0820059251
Exhausted Center	5/3, exhausted center	with detent	G 1/4	G 1/4	3	10	24 V DC	Internal	2.2	1300	3	10	0820059211
Exhausted Center	5/3, exhausted center	with detent	G 1/4	G 1/4	-0.9	10	24 V DC	External	2.2	1300	3	10	0820059261
Pressurized Center	5/3, pressurized center	with detent	G 1/4	G 1/4	3	10	24 V DC	Internal	2.2	1300	3	10	0820059221
Pressurized Center	5/3, pressurized center	with detent	G 1/4	G 1/4	-0.9	10	24 V DC	External	2.2	1300	3	10	0820059271

Dimensions



0820059201, 0820059251, 0820059211, 0820059261, 0820059221, 0820059271

PIN assignment and cable colors for valve plug connectors



PIN assignment: 1) PIN not assigned 2) PIN not assigned 3) 0 V 4) 24 V 5) LED Cable colors 1) Brown 2) White 3) Blue 4) Black

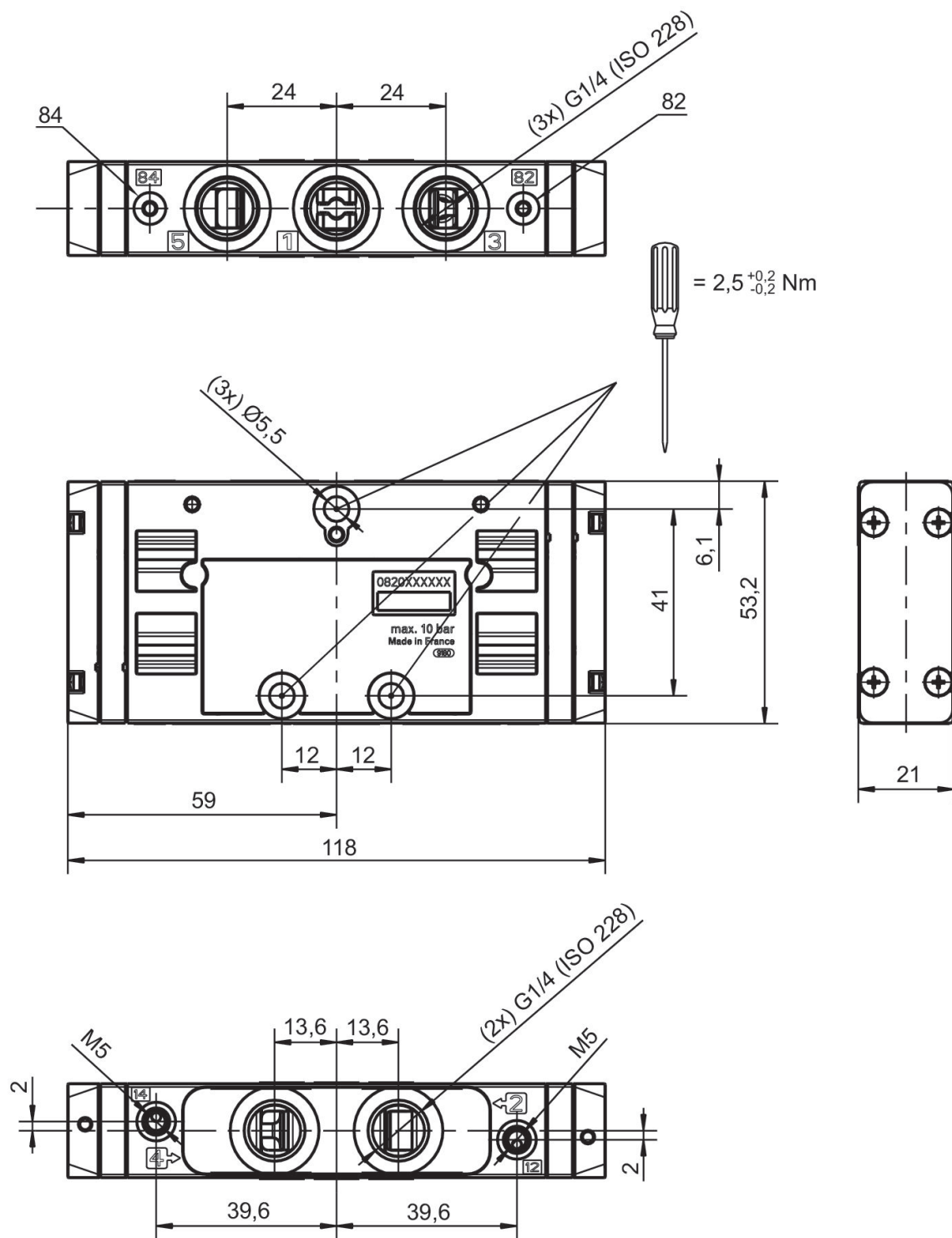
2x3/2-directional valve, Series TC15

Flow: 1100 l/min
 Activation: Pneumatically
 Compressed air connection type: Internal thread
 Compressed air connection input: G 1/4
 Compressed air connection output: G 1/4
 Compressed air connection, exhaust: G 1/4
 Min. control pressure: 3 bar
 Max. control pressure: 10 bar
 Type: Spool valve
 Min. ambient temperature: -10 °C
 Max. ambient temperature: 50 °C
 Min. working pressure: -0.9 bar
 Max. working pressure: 10 bar

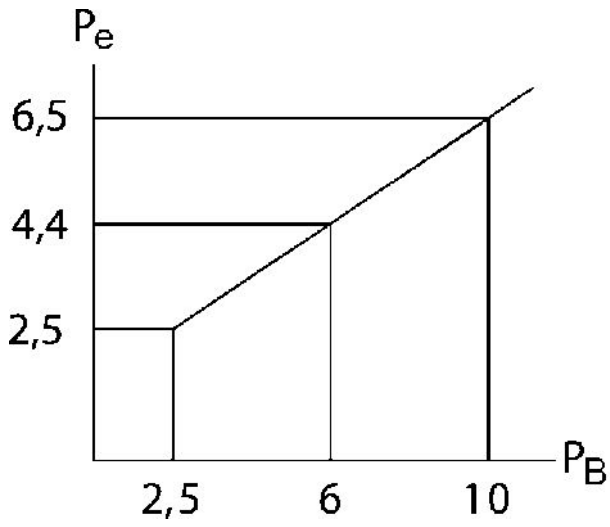


Valve function	Compressed air connection input	Compressed air connection output	Min. working pressure [bar]	Max. working pressure [bar]	Flow Qn [l/min]	Min. control pressure [bar]	Max. control pressure [bar]	Part No.
NC/NC	G 1/4	G 1/4	-0.9	10	1100	3	10	R422102229
NO/NO	G 1/4	G 1/4	-0.9	10	1100	3	10	R422102230
NC/NO	G 1/4	G 1/4	-0.9	10	1100	3	10	R422102231

Dimensions



Control pressure



P_e = external control pressure, min.
 P_B = Working pressure

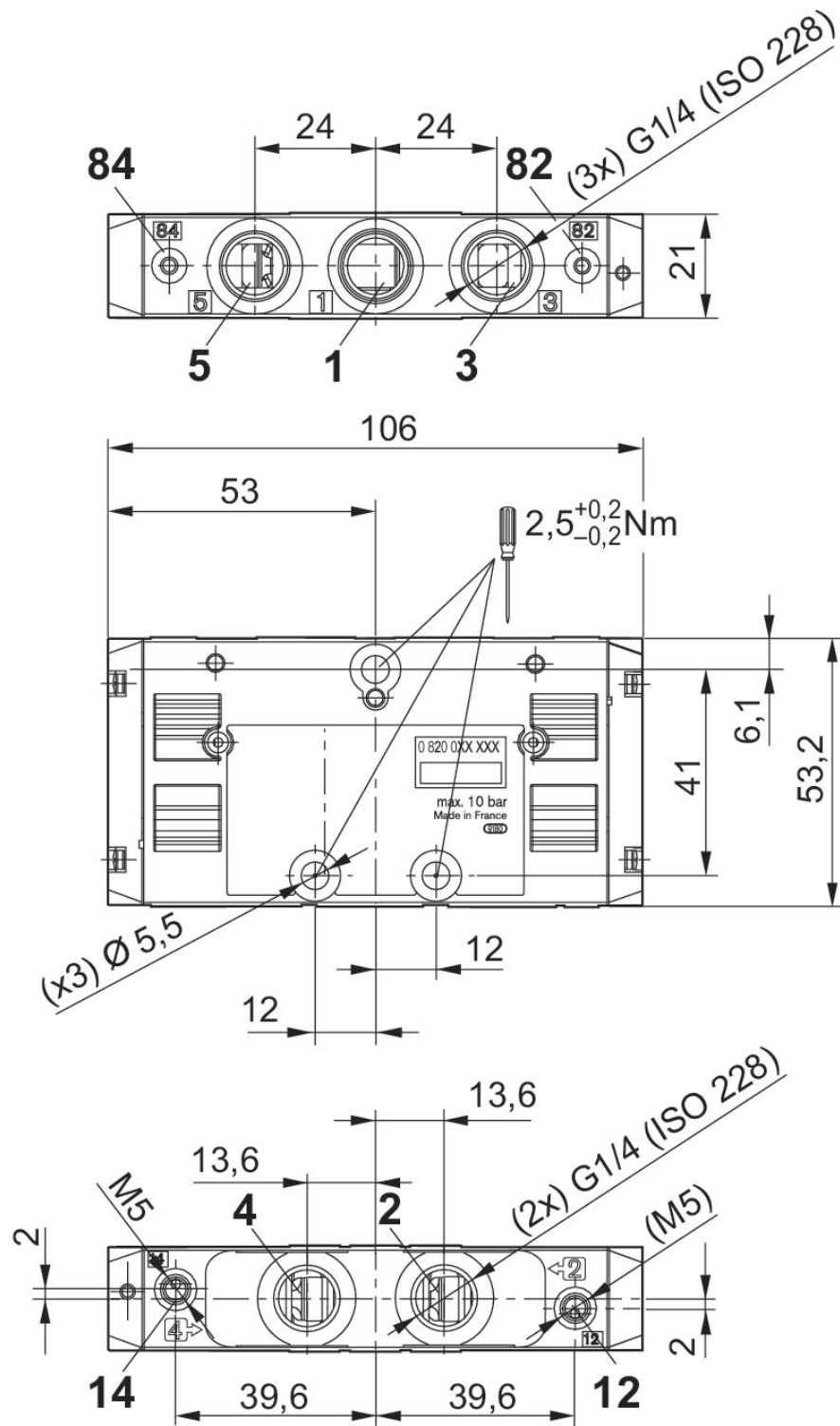
5/2-directional valve, Series TC15

Flow: 1500 l/min
 Activation: Pneumatically
 Compressed air connection type: Internal thread
 Compressed air connection input: G 1/4
 Compressed air connection output: G 1/4
 Max. control pressure: 10 bar
 Type: Spool valve, positive overlapping
 Min. ambient temperature: -10 °C
 Max. ambient temperature: 50 °C
 Max. working pressure: 10 bar

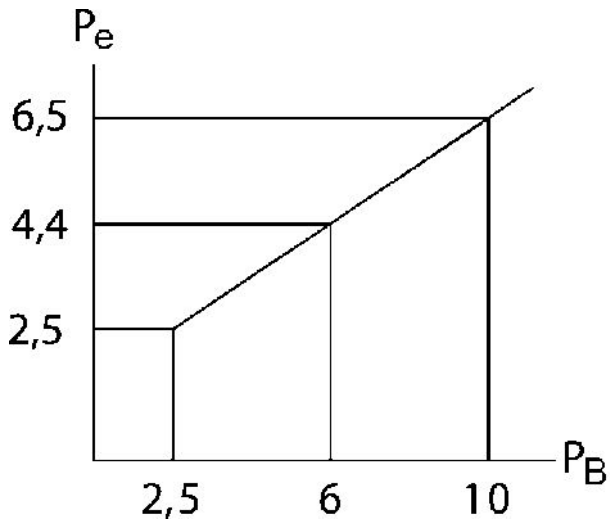


Compressed air connection input	Compressed air connection output	Min. working pressure [bar]	Max. working pressure [bar]	Pilot	Flow Qn [l/min]	Min. control pressure [bar]	Max. control pressure [bar]	Part No.
G 1/4	G 1/4	2.5	10	External	1500	2.5	10	0820258001
G 1/4	G 1/4	-0.9	10	External	1500	3	10	0820258002
G 1/4	G 1/4	-0.9	10	External	1500	2	10	0820258003
G 1/4	G 1/4	-0.9	10	External	1500	2.5	10	0820258004

Dimensions



Control pressure



P_e = external control pressure, min.
 P_B = Working pressure

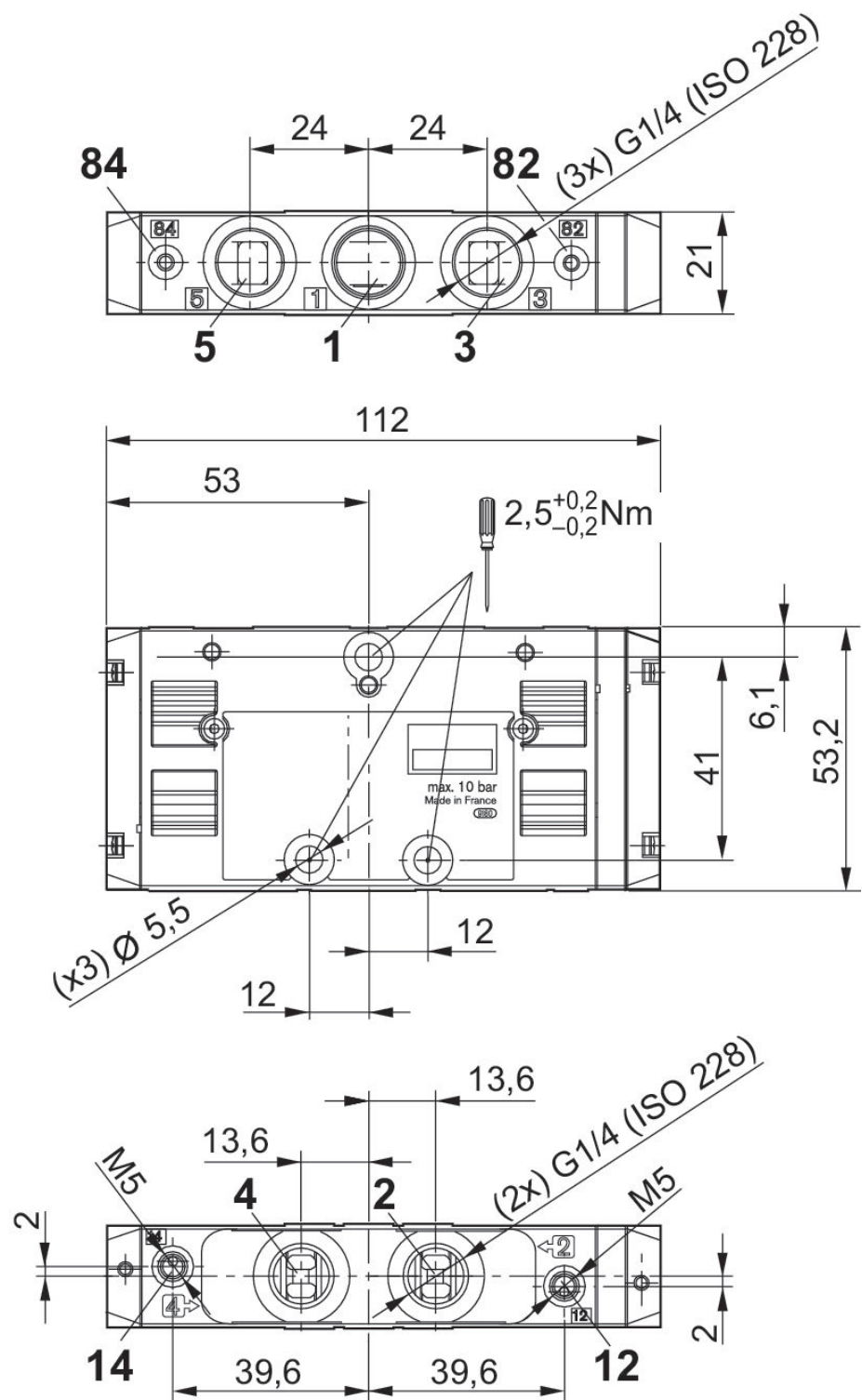
5/3-directional valve, Series TC15

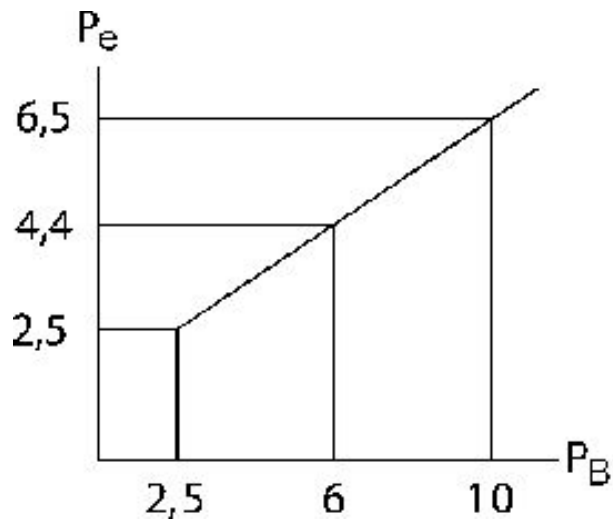
Flow: 1300 l/min
 Activation: Pneumatically
 Compressed air connection type: Internal thread
 Compressed air connection input: G 1/4
 Compressed air connection output: G 1/4
 Min. control pressure: 3 bar
 Max. control pressure: 10 bar
 Type: Spool valve, positive overlapping
 Min. ambient temperature: -10 °C
 Max. ambient temperature: 50 °C
 Min. working pressure: -0.9 bar
 Max. working pressure: 10 bar



Valve function	Com-pressed air connec-tion input	Com-pressed air connec-tion output	Min. work-ing pres-sure [bar]	Max. working pressure [bar]	Pilot	Flow Qn [l/min]	Min. con-trol pres-sure [bar]	Max. control pressure [bar]	Part No.
Closed Center	G 1/4	G 1/4	-0.9	10	External	1300	3	10	0820259001
Exhausted Center	G 1/4	G 1/4	-0.9	10	External	1300	3	10	0820259002
Pressurized Center	G 1/4	G 1/4	-0.9	10	External	1300	3	10	0820259003

Dimensions





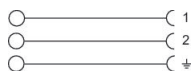
Valve plug connector, series CON-VP, form C, 300 V DC / 250 V AC

Electrical connection 1, thread size: EN 175301-803, form C

Certificates: CE declaration of conformity UKCA

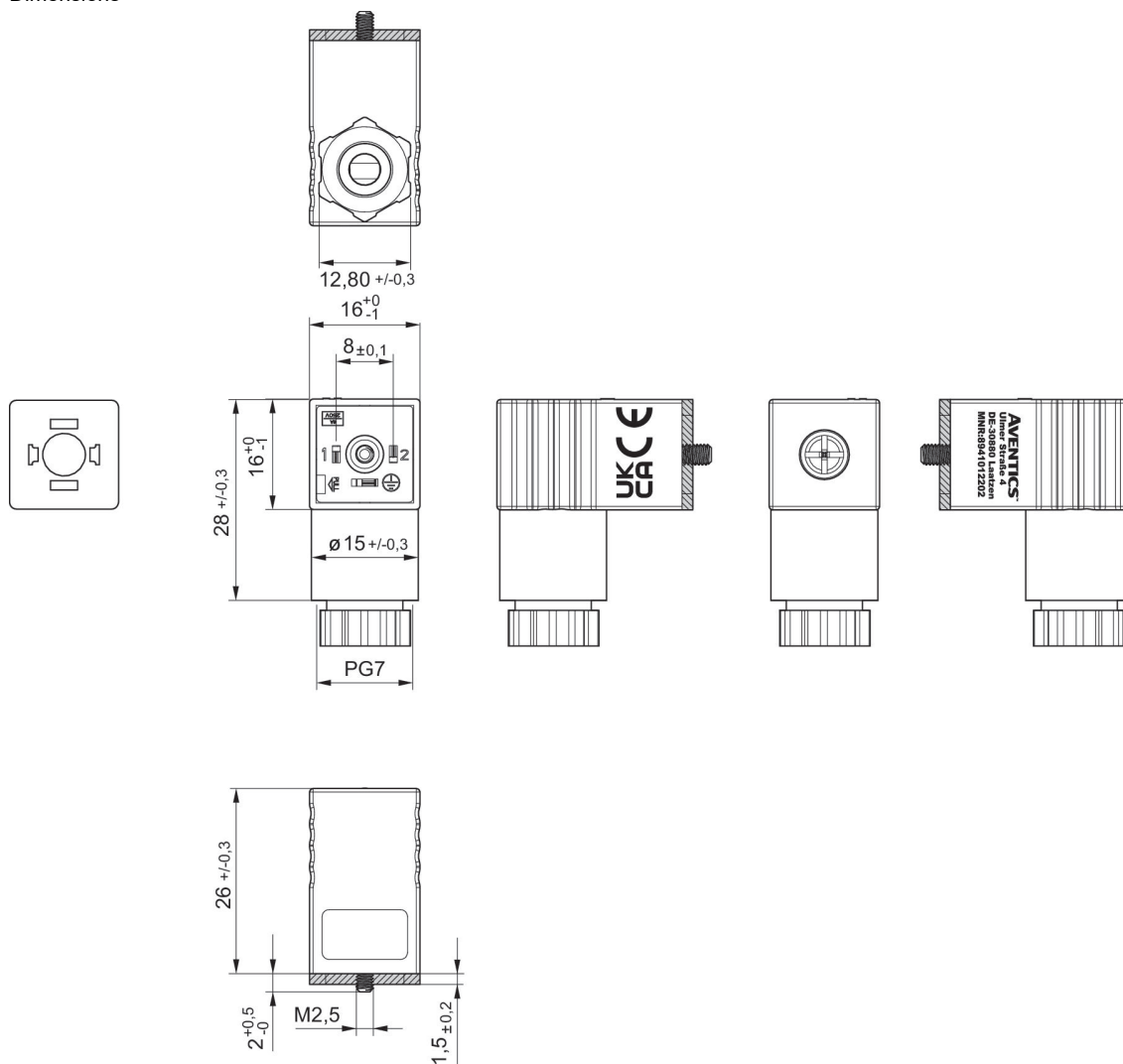
Min. ambient temperature: -40 °C

Max. ambient temperature: 90 °C



Operational voltage	Max. current [A]	Contact assignment	min. suitable cable Ø [mm]	max. suitable cable Ø [mm]	Part No.
300 V DC / 250 V AC	6	2+E	4	6	8941012202

Dimensions



Profile seal

Valve plug connector, series CON-VP, 0° female insert

Electrical connection 1, thread size: form C

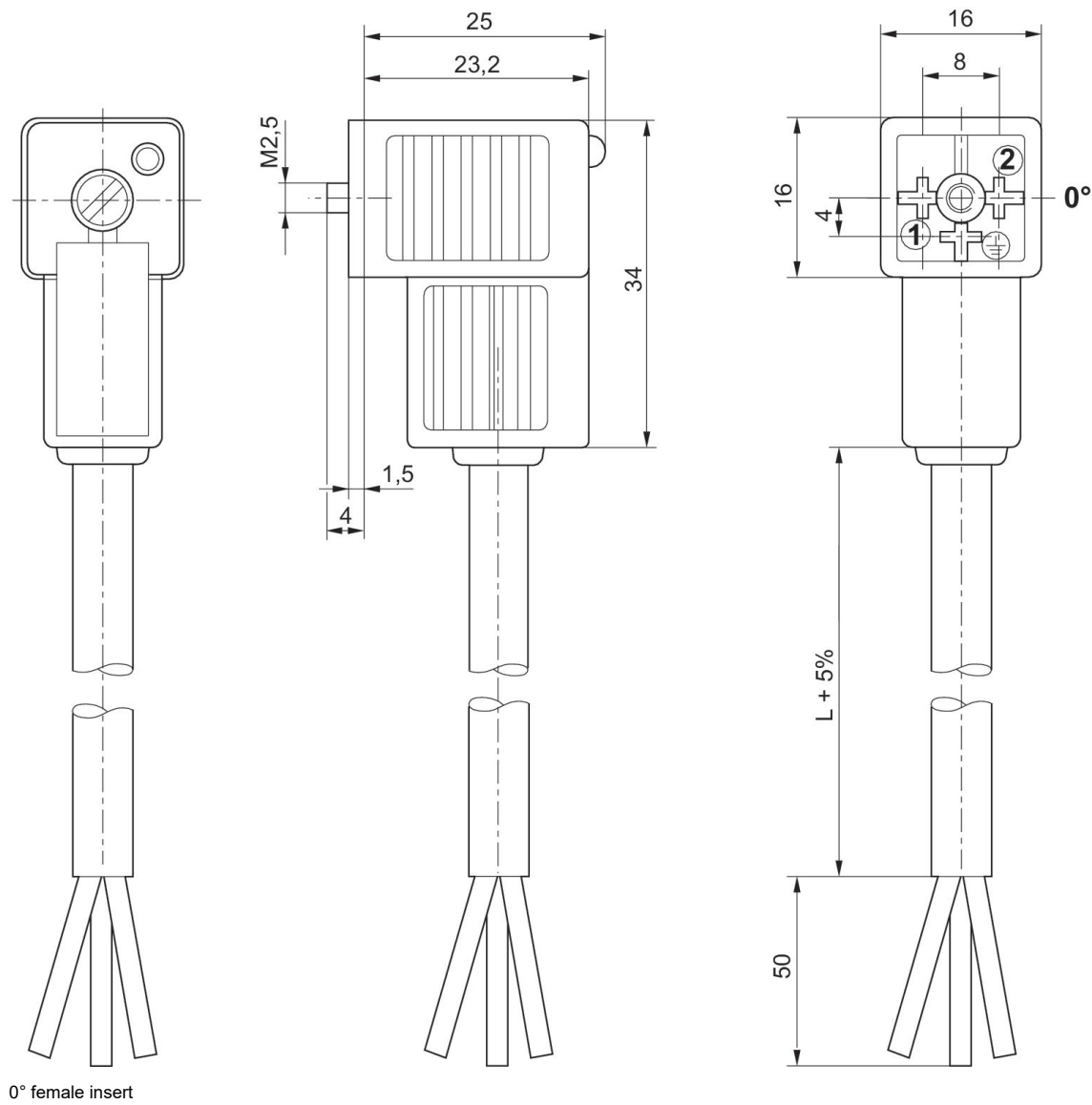
Min. ambient temperature: -20 °C

Max. ambient temperature: 80 °C



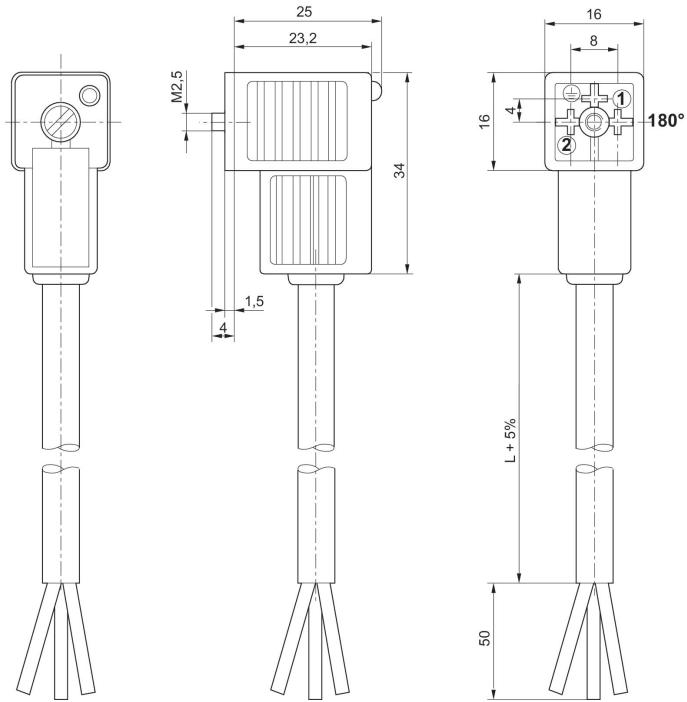
Operational voltage	Protective circuit	Max. current [A]	Contact assignment	LED status display	Cable-Ø [mm]	Cable length [m]	Part No.
230 V AC/DC		6	2+E		5.9	3	1834484212
230 V AC/DC		6	2+E		5.9	3	1834484213
230 V AC/DC		6	2+E		5.9	5	1834484214
230 V AC/DC		6	2+E		5.9	5	1834484215
24 V AC/DC	Z-diode	6	2+E	Yellow	5.9	3	1834484204
24 V AC/DC	Z-diode	6	2+E	Yellow	5.9	3	1834484205
24 V AC/DC	Z-diode	6	2+E	Yellow	5.9	5	1834484206
24 V AC/DC	Z-diode	6	2+E	Yellow	5.9	5	1834484207
230 V AC/DC	Varistor	6	2+E	Yellow	5.9	3	1834484208
230 V AC/DC	Varistor	6	2+E	Yellow	5.9	3	1834484209
230 V AC/DC	Varistor	6	2+E	Yellow	5.9	5	1834484210
230 V AC/DC	Varistor	6	2+E	Yellow	5.9	5	1834484211
24 V AC/DC	Z-diode	6	2+E	Yellow	5.9	10	1834484236

Dimensions



1834484213, 1834484215, 1834484205, 1834484207, 1834484209, 1834484211, 1834484236

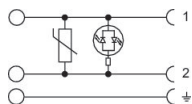
Dimensions



180° female insert

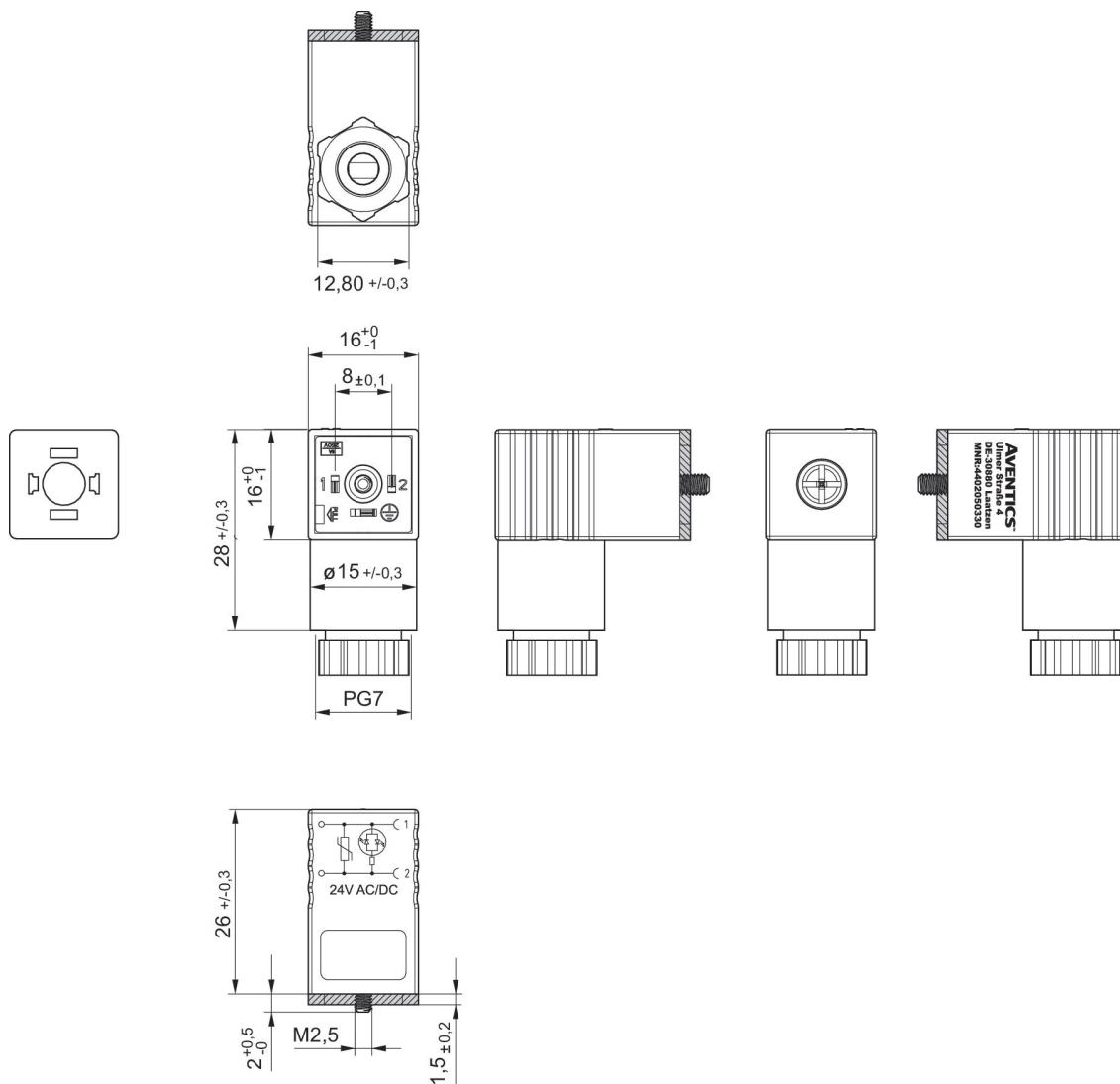
Valve plug connector, series CON-VP, form C, 24 V AC/DC

Electrical connection 1, thread size: EN 175301-803, form C
Min. ambient temperature: -40 °C
Max. ambient temperature: 90 °C



Operational voltage	Protective circuit	Max. current [A]	Contact assignment	LED status display	min. suitable cable Ø [mm]	max. suitable cable Ø [mm]	Part No.
24 V AC/DC	Varistor	1.5	2+E	Green	4	6	4402050330

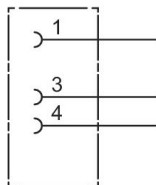
Dimensions



Profile seal

Round plug connector, Series CON-RD, straight

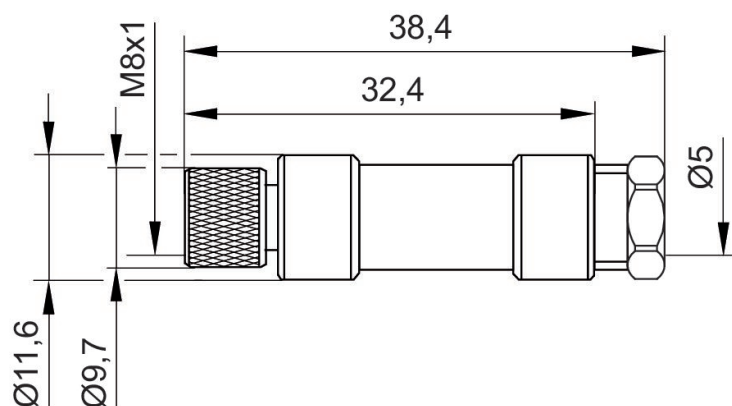
Electrical connection 1, type: Socket
 Electrical connection 1, thread size: M8x1
 Electrical connection 1, number of poles: 3-pin
 Min. ambient temperature: -25 °C
 Max. ambient temperature: 80 °C



Operational voltage	Contact assignment	Coding	Shielding	Connection type	Max. current [A]	min. suitable cable Ø [mm]	max. suitable cable Ø [mm]	Part No.
48 V AC/DC	3-pin	A-coded	unshielded	Soldering	4	3.5	5	1834484173

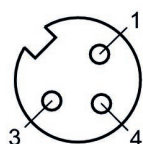
Min. ambient temperature [°C]	Max. ambient temperature [°C]	Part No.
-25	80	1834484173

Dimensions



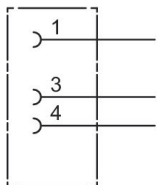
1834484173

Pin assignment, socket



Round plug connector, Series CON-RD, angled

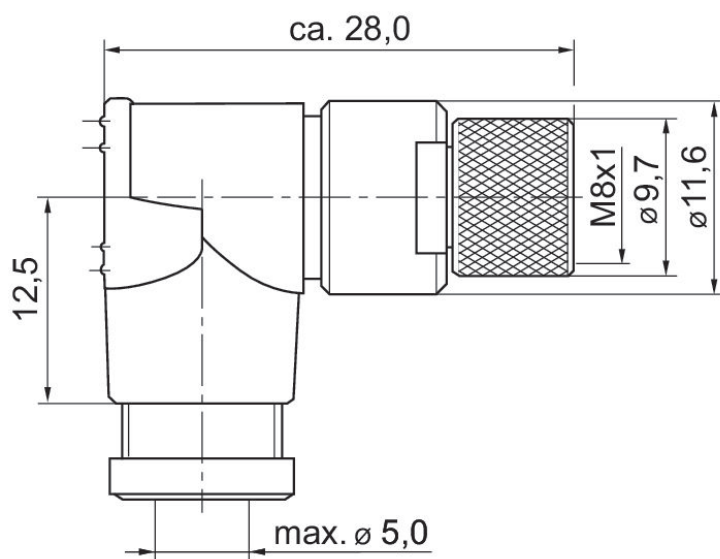
Electrical connection 1, type: Socket
 Electrical connection 1, thread size: M8x1
 Electrical connection 1, number of poles: 3-pin
 Min. ambient temperature: -25 °C
 Max. ambient temperature: 80 °C



Operational voltage	Contact assignment	Coding	Shielding	Connection type	Max. current [A]	min. suitable cable Ø [mm]	max. suitable cable Ø [mm]	Part No.
48 V AC/DC	3-pin	A-coded	unshielded	Soldering	4	3.5	5	1834484174

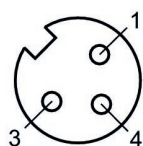
Min. ambient temperature [°C]	Max. ambient temperature [°C]	Part No.
-40	85	1834484174

Dimensions in mm



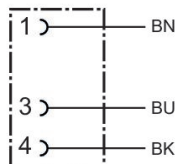
1834484174

Pin assignment, socket



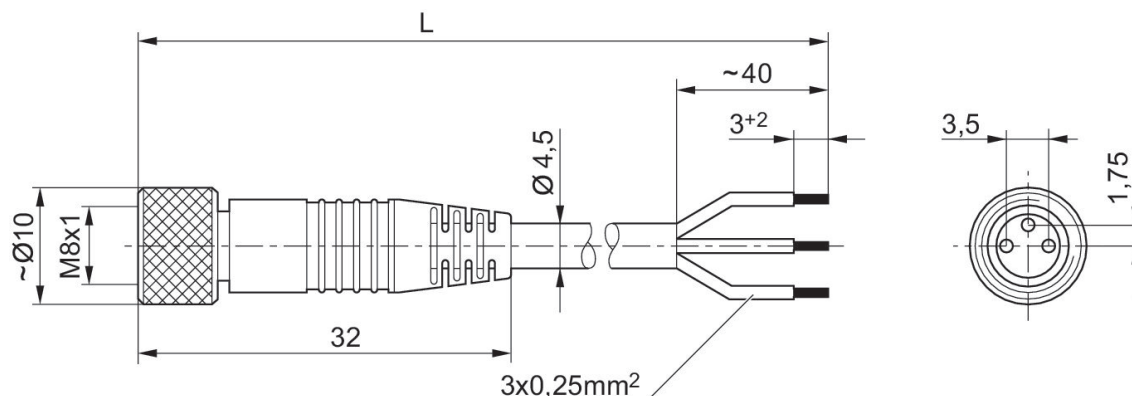
Round plug connector, Series CON-RD, open cable ends, straight

Electrical connection 1, type: Socket
 Electrical connection 1, thread size: M8x1
 Electrical connection 1, number of poles: 3-pin
 Min. ambient temperature: -25 °C
 Max. ambient temperature: 85 °C



Operational voltage	Current [A]	Shielding	Electrical connection 1, type	Electrical connection 1, thread size	Electrical connection 1, coding	Electrical connection 2, type	Cable length [m]	Cable-Ø [mm]	Wire cross-section [mm ²]	Min. ambient temperature [°C]	Max. ambient temperature [°C]	Part No.
48 V AC/DC	4	unshielded	Socket	M8x1	A-coded	open cable ends	3	4.5	0.24	-25	85	1834484166
48 V AC/DC	4	unshielded	Socket	M8x1	A-coded	open cable ends	5	4.5	0.24	-25	85	1834484168
48 V AC/DC	4	unshielded	Socket	M8x1	A-coded	open cable ends	10	4.5	0.24	-25	85	1834484247

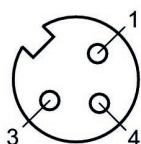
Dimensions



L = length

1834484166, 1834484168, 1834484247

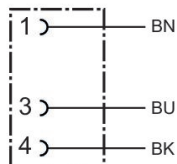
Pin assignment, socket



(1) BN=brown (3) BU=blue (4) BK=black

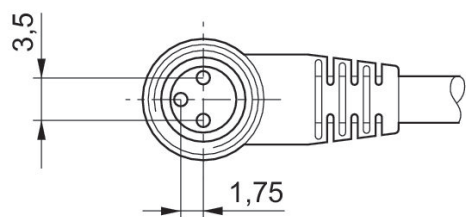
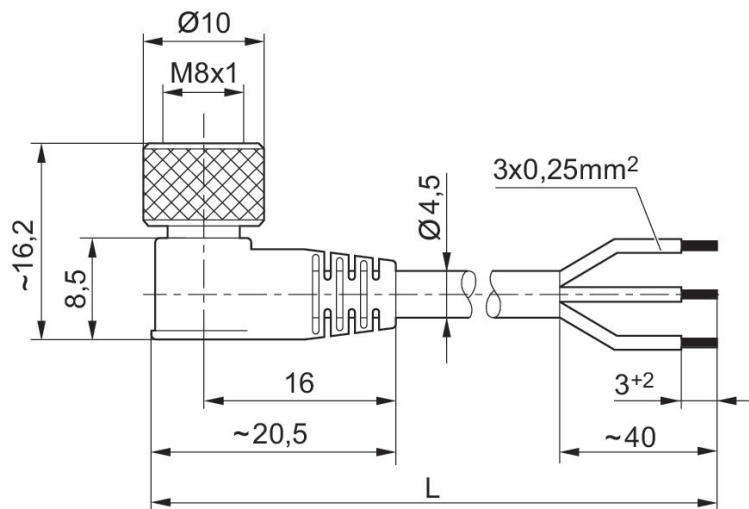
Round plug connector, Series CON-RD, open cable ends, angled

Electrical connection 1, type: Socket
 Electrical connection 1, thread size: M8x1
 Electrical connection 1, number of poles: 3-pin
 Min. ambient temperature: -40 °C
 Max. ambient temperature: 85 °C



Operational voltage	Current [A]	Shielding	Electrical connection 1, type	Electrical connection 1, thread size	Electrical connection 1, coding	Electrical connection 2, type	Cable length [m]	Cable-Ø [mm]	Wire cross-section [mm ²]	Min. ambient temperature [°C]	Max. ambient temperature [°C]	Part No.
48 V AC/DC	4	unshielded	Socket	M8x1	A-coded	open cable ends	3	4.5	0.24	-40	85	1834484167
48 V AC/DC	4	unshielded	Socket	M8x1	A-coded	open cable ends	5	4.5	0.24	-40	85	1834484169
48 V AC/DC	4	unshielded	Socket	M8x1	A-coded	open cable ends	10	4.5	0.24	-40	85	1834484248

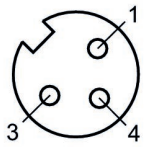
Dimensions



L = length

1834484167, 1834484169, 1834484248

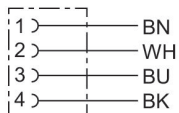
Pin assignment, socket



(1) BN=brown (3) BU=blue (4) BK=black

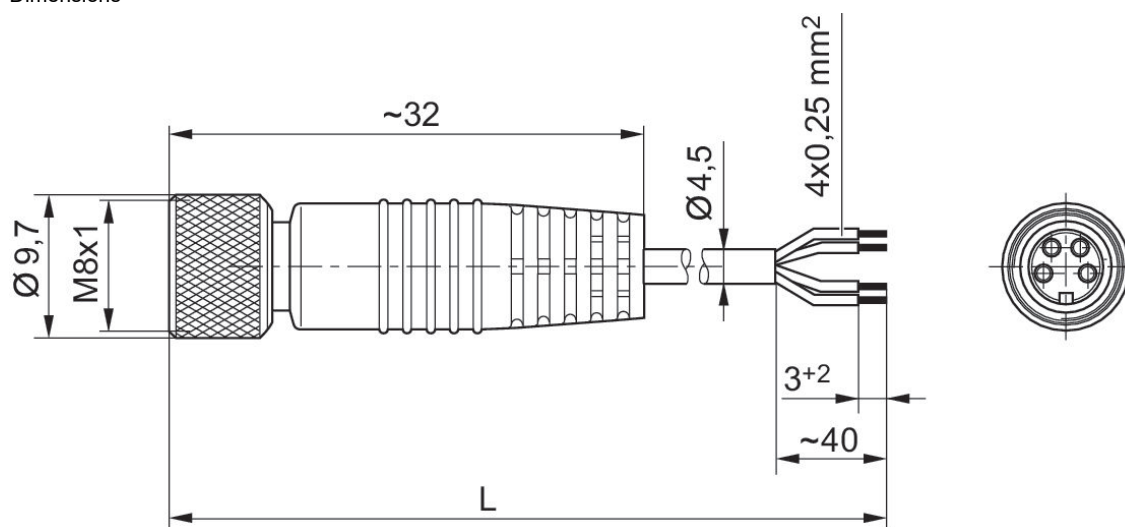
Round plug connector, Series CON-RD, open cable ends, straight, 4-pin

Electrical connection 1, type: Socket
 Electrical connection 1, thread size: M8x1
 Electrical connection 1, number of poles: 4-pin
 Min. ambient temperature: -40 °C
 Max. ambient temperature: 85 °C



Operational voltage	Current [A]	Shielding	Electrical connection 1, type	Electrical connection 1, thread size	Electrical connection 1, coding	Electrical connection 2, type	Cable length [m]	Cable-Ø [mm]	Wire cross-section [mm ²]	Min. ambient temperature [°C]	Max. ambient temperature [°C]	Part No.
48 V AC/DC	4	unshielded	Socket	M8x1	A-coded	open cable ends	3	4.5	0.25	-40	85	1834484144
48 V AC/DC	4	unshielded	Socket	M8x1	A-coded	open cable ends	5	4.5	0.25	-40	85	1834484146

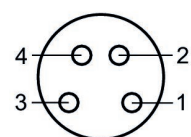
Dimensions



L = length

1834484144, 1834484146

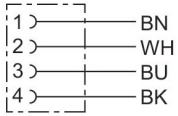
Pin assignment, socket



(1) BN=brown (2) WH=white (3) BU=blue (4) BK=black

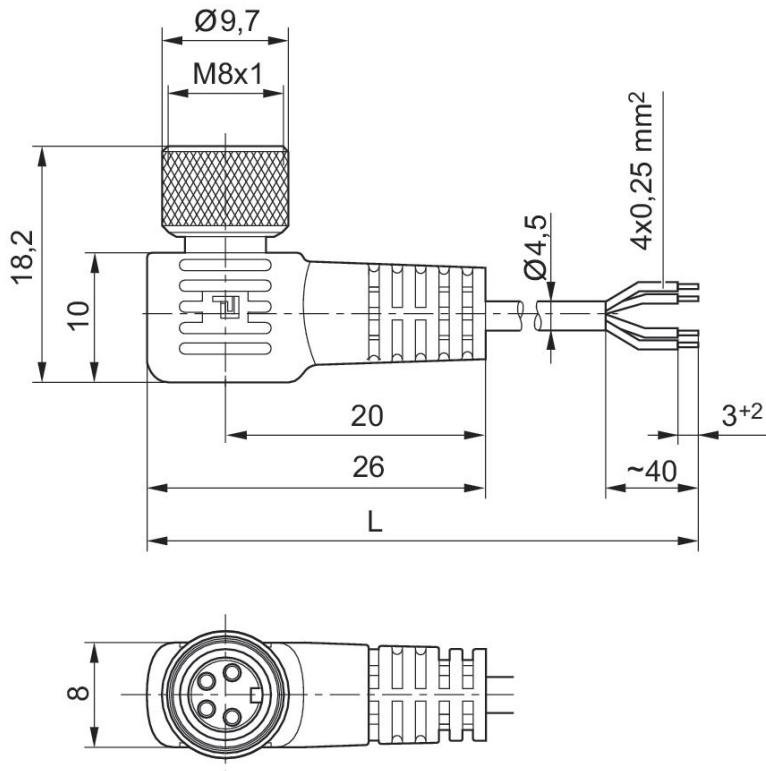
Round plug connector, Series CON-RD, Plug M8x1, 4-pin

Electrical connection 1, type: Socket
 Electrical connection 1, thread size: M8x1
 Electrical connection 1, number of poles: 4-pin
 Min. ambient temperature: -40 °C
 Max. ambient temperature: 85 °C



Operational voltage	Current [A]	Shielding	Electrical connection 1, type	Electrical connection 1, thread size	Electrical connection 1, coding	Electrical connection 2, type	Cable length [m]	Cable-Ø [mm]	Wire cross-section [mm ²]	Min. ambient temperature [°C]	Max. ambient temperature [°C]	Part No.
48 V AC/DC	4	unshielded	Socket	M8x1	A-coded	open cable ends	3	4.5	0.25	-25	85	1834484145
48 V AC/DC	4	unshielded	Socket	M8x1	A-coded	open cable ends	5	4.5	0.25	-25	85	1834484147

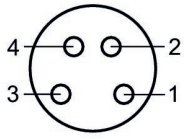
Dimensions in mm



L = length

1834484145, 1834484147

Pin assignment, socket



(1) BN=brown (2) WH=white (3) BU=blue (4) BK=black

Coil, Series CO1, Form C

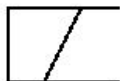
Coil width: 15 mm

Electrical connection 2, number of poles: 3-pin

Duty cycle: 100 %

Min. ambient temperature: -10 °C

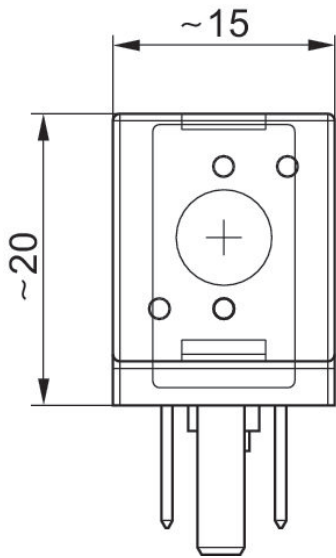
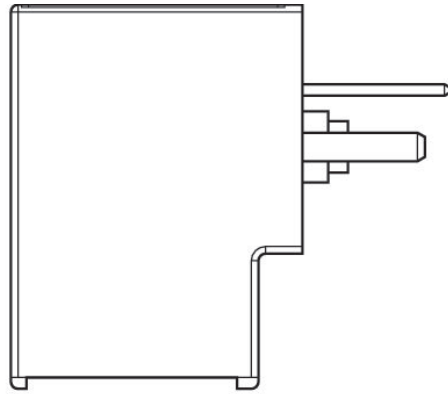
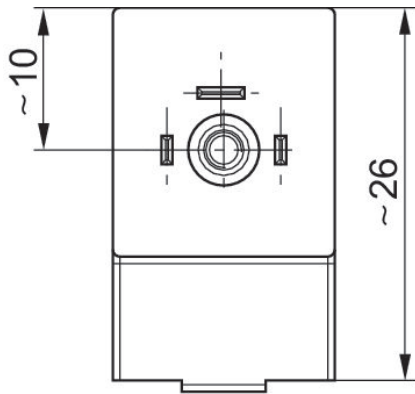
Max. ambient temperature: 50 °C



Operational voltage DC	Number of poles	Operational voltage AC at 50 Hz	Operational voltage AC at 60 Hz	Voltage tolerance DC	Voltage tolerance AC 50 Hz	Voltage tolerance AC 60 Hz	Power consumption DC [W]	Part No.
	3-pin	110 V	110 V		-10 % / +10 %	-10 % / +10 %		R422101598
	3-pin	230 V	230 V		-10 % / +10 %	-10 % / +10 %		R422101599
24 V	3-pin			-10 % / +10 %			2	R422101600
	3-pin	24 V	24 V		-10 % / +10 %	-10 % / +10 %		R422101601
12 V	3-pin			-10 % / +10 %			2	R422101602

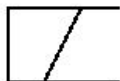
Holding power AC 50 Hz [VA]	Switch-on power AC 50 Hz [VA]	Part No.
1.6	2.2	R422101598
1.6	2.2	R422101599
		R422101600
1.6	2.2	R422101601
		R422101602

Dimensions



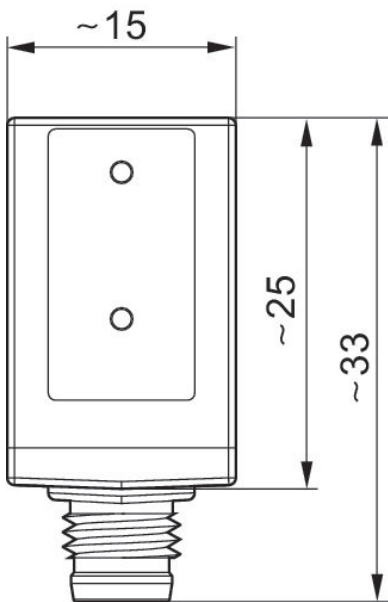
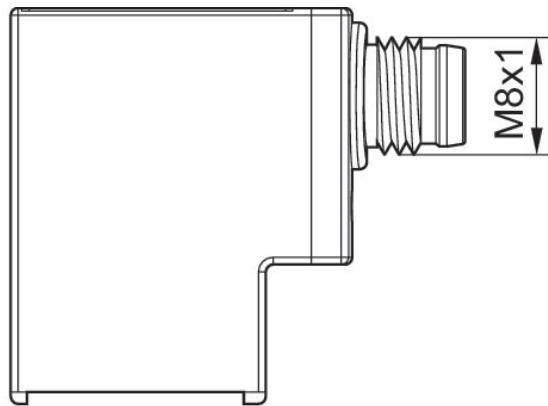
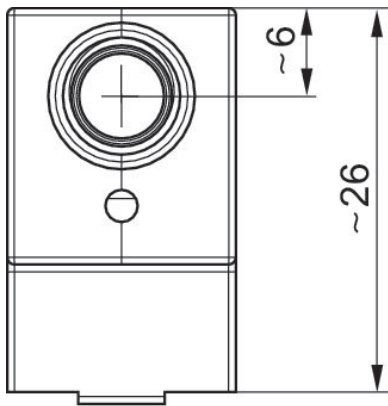
Coil, Series CO1, M8

Coil width: 16 mm
 Electrical connection 2, thread size: M8x1
 Duty cycle: 100 %
 Min. ambient temperature: -10 °C
 Max. ambient temperature: 50 °C



Operational voltage DC	Number of poles	Voltage tolerance DC	Power consumption DC [W]	Part No.
24 V	4-pin	-10 % / +10 %	2.2	R422101603
24 V	3-pin	-10 % / +10 %	2.2	R422101604

Dimensions



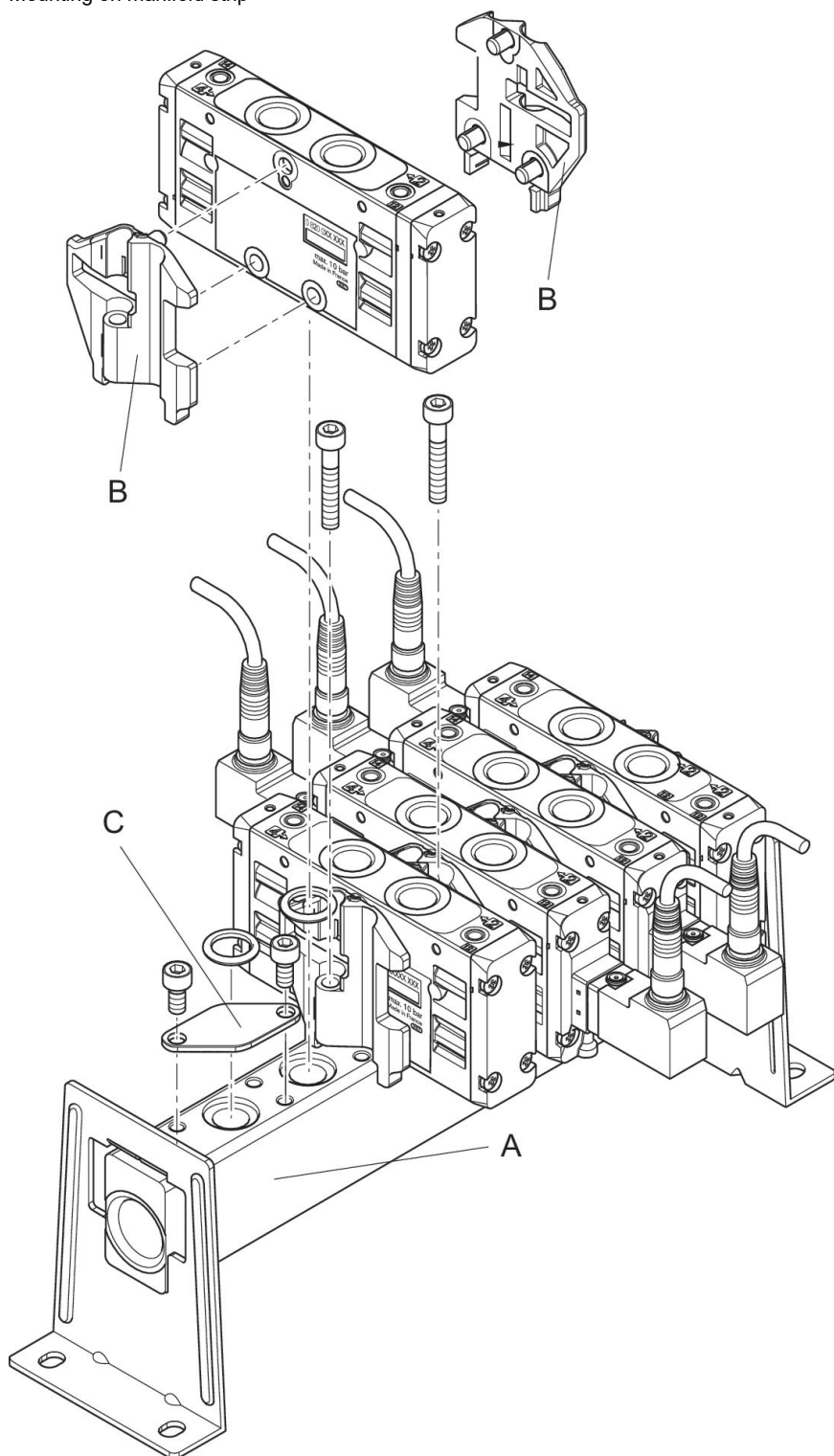
Manifold strip, Series TC15

Flow: 1500 l/min
 For series: TC15
 Min. ambient temperature: -10 °C
 Max. ambient temperature: 50 °C



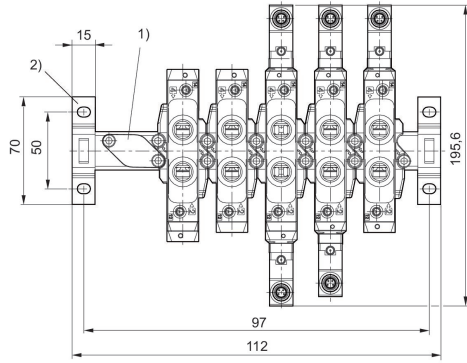
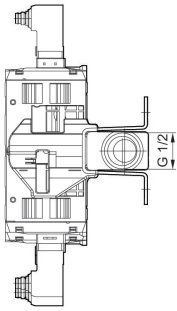
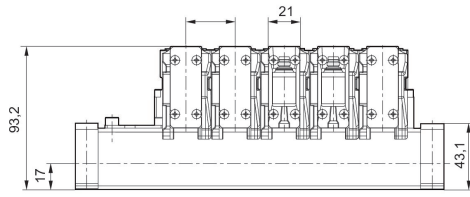
Type	Max. number of valve positions	Part No.
Manifold strip	2	R422000942

Mounting on manifold strip



The following must be ordered to mount the valves: manifold strip A, mounting kit B (R422000948), Blanking plate C (R422000941)

Dimensions in mm



- 1) Blanking plate
 - 2) Please order mounting clip 1821332051 separately.
- n = number of valve positions

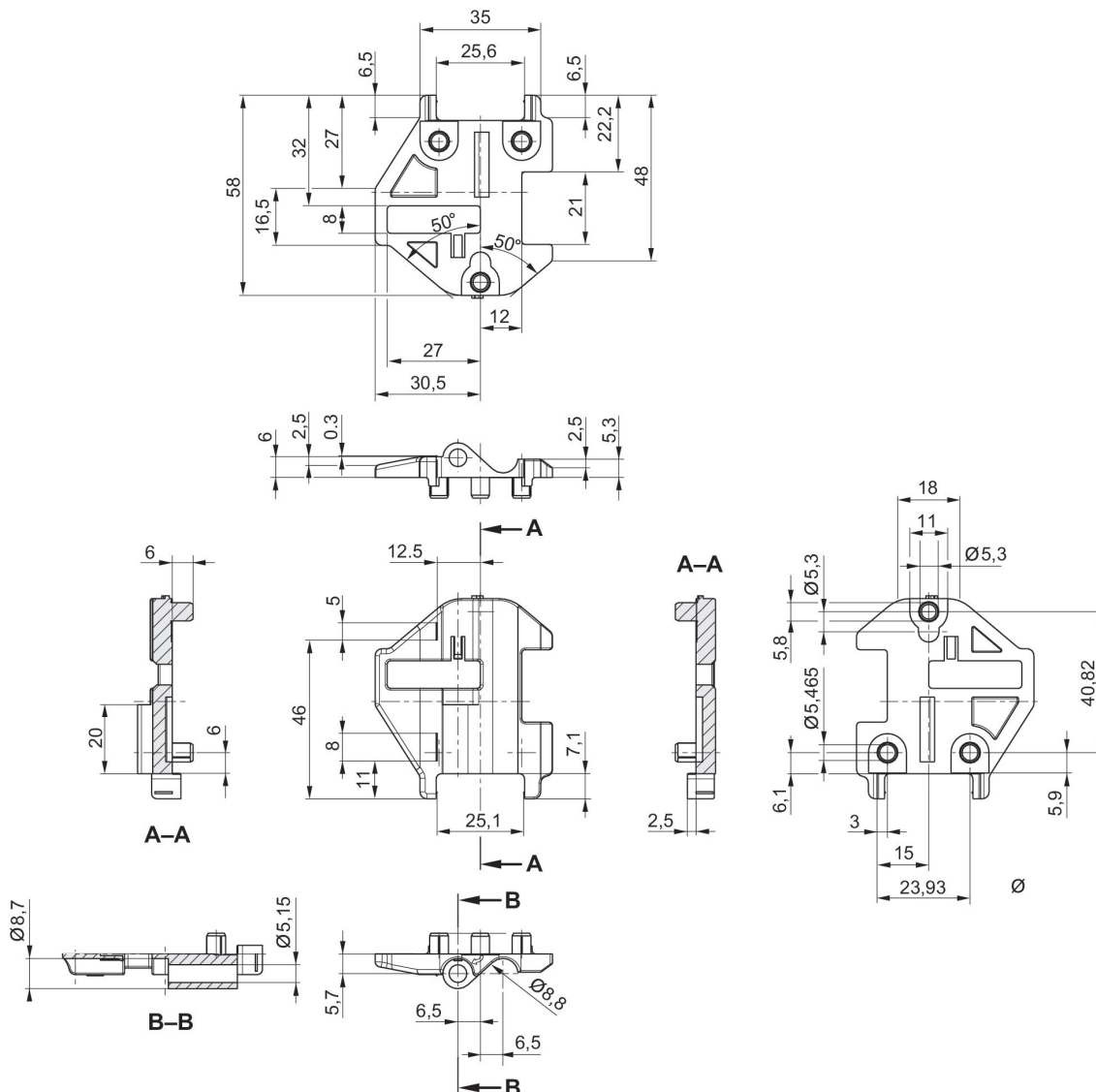
Mounting kit, Series TC15

For series: TC15
To mount on series: TC15
Min. ambient temperature: -10 °C
Max. ambient temperature: 50 °C



Type	Weight [kg]	Part No.
Mounting kit	0.014	R422000948

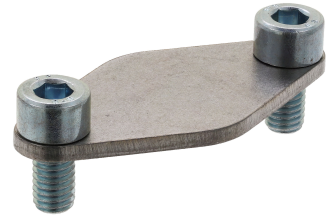
Dimensions in mm



Scope of delivery incl. seal and mounting screws

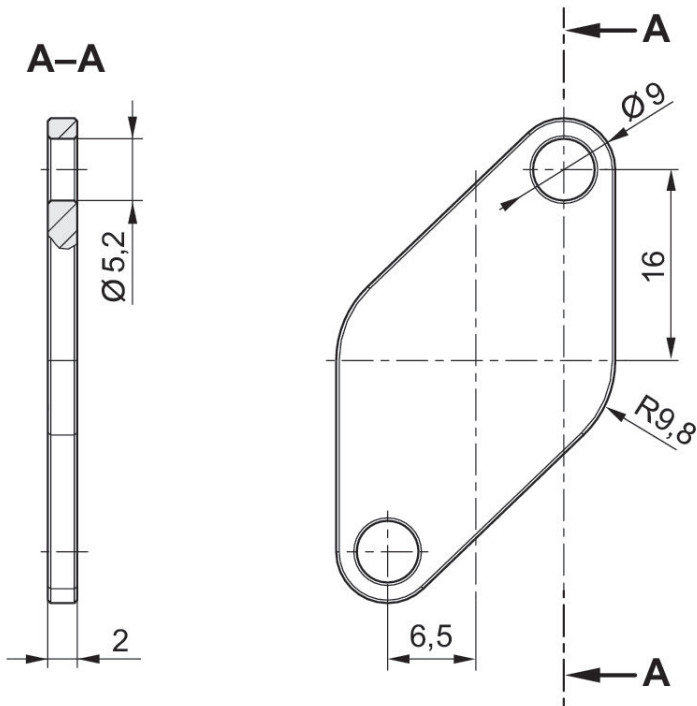
Blanking plate, Series TC15

For series: TC15



Material	Part No.
Galvanized Steel	R422000941

Dimensions in mm



Scope of delivery incl. 2 mounting screws, 1 x O-ring

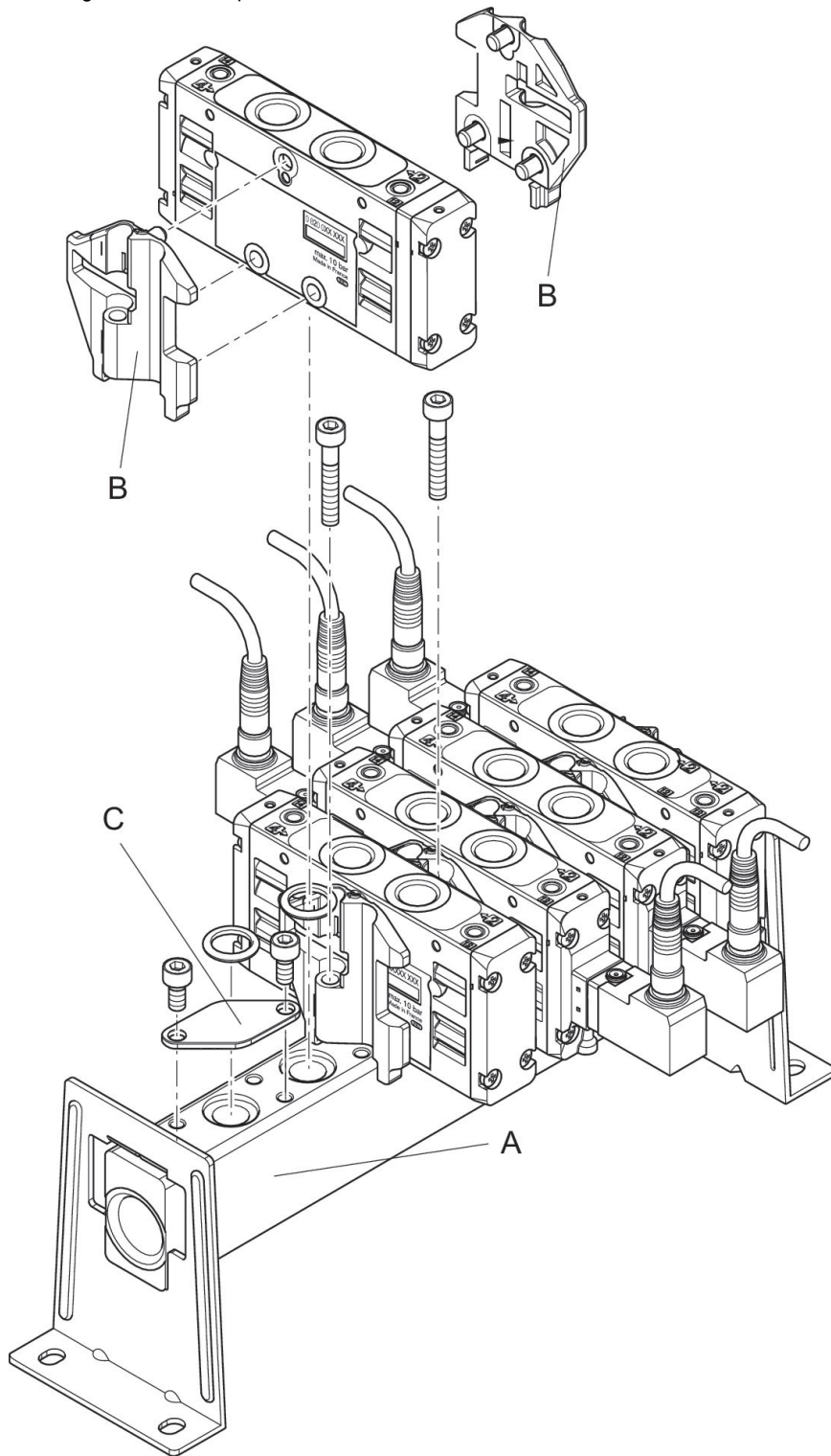
Manifold strip, Series TC15

Flow: 1500 l/min
For series: TC15
Min. ambient temperature: -10 °C
Max. ambient temperature: 50 °C



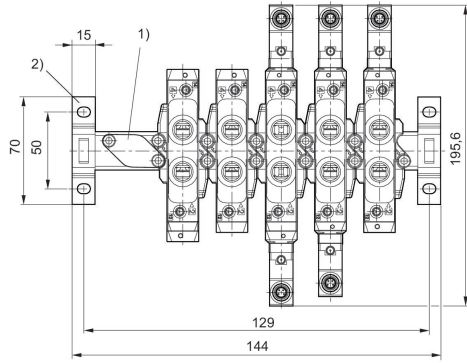
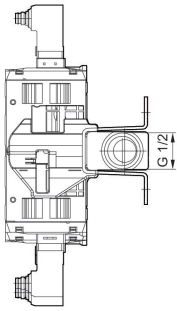
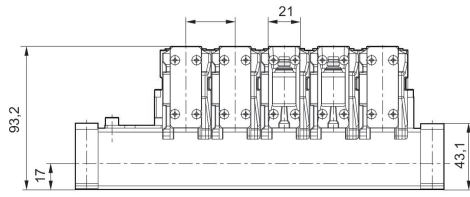
Type	Max. number of valve positions	Part No.
Manifold strip	3	R422000943

Mounting on manifold strip



The following must be ordered to mount the valves: manifold strip A, mounting kit B (R422000948), Blanking plate C (R422000941)

Dimensions in mm



- 1) Blanking plate
 - 2) Please order mounting clip 1821332051 separately.
- n = number of valve positions

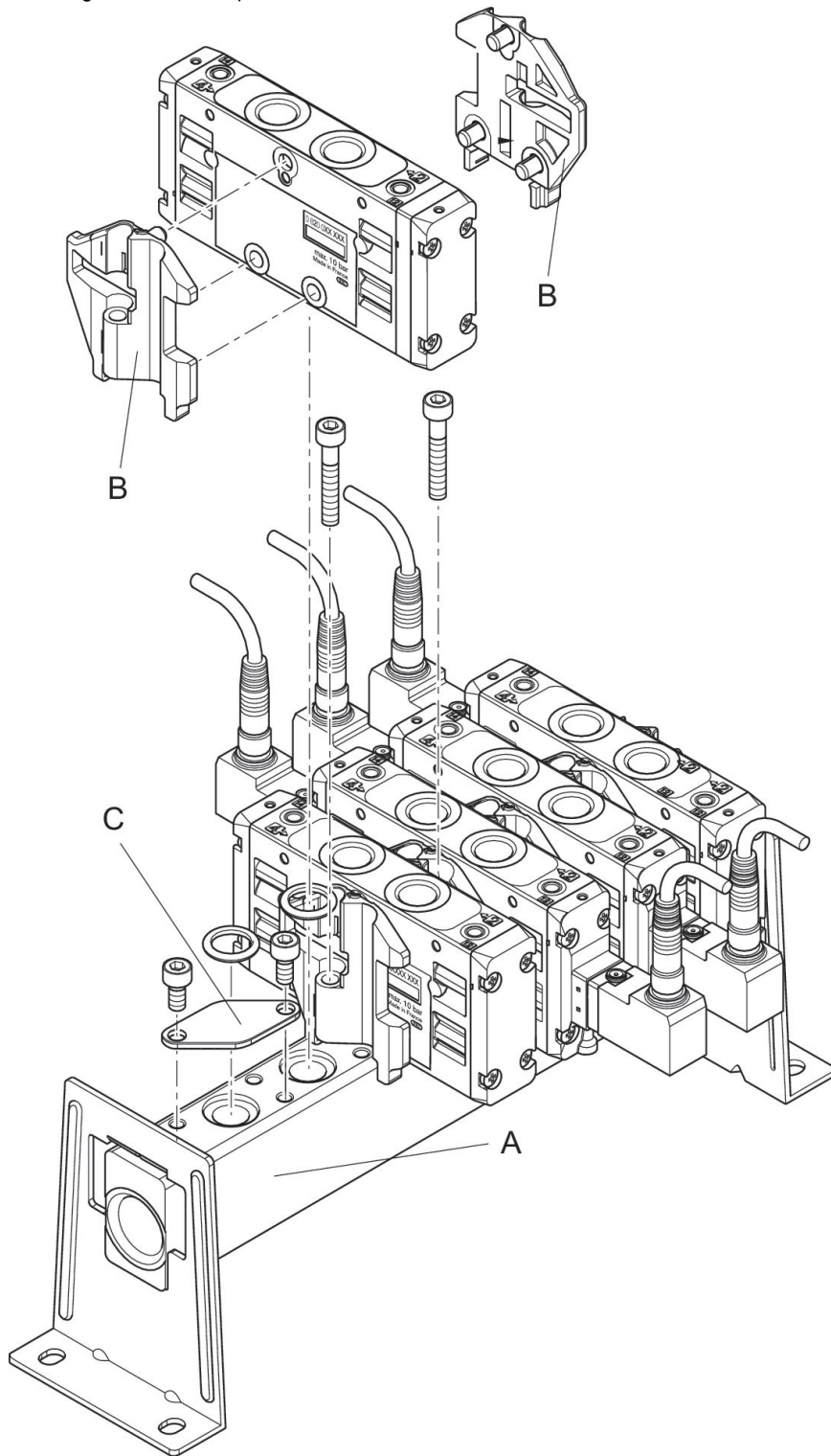
Manifold strip, Series TC15

Flow: 1500 l/min
For series: TC15
Min. ambient temperature: -10 °C
Max. ambient temperature: 50 °C



Type	Max. number of valve positions	Part No.
Manifold strip	4	R422000944

Mounting on manifold strip



The following must be ordered to mount the valves: manifold strip A, mounting kit B (R422000948), Blanking plate C (R422000941)

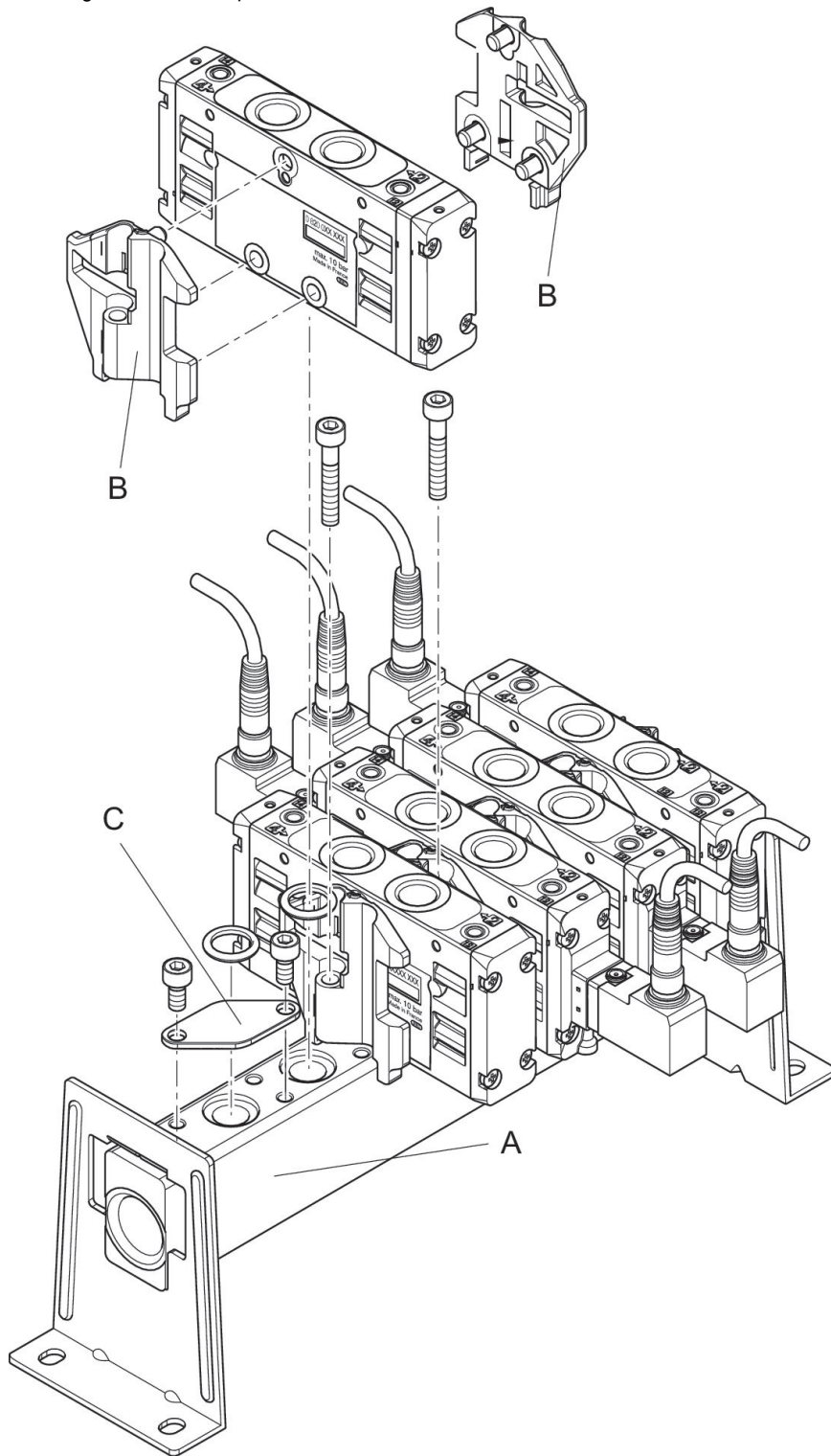
Manifold strip, Series TC15

Flow: 1500 l/min
 For series: TC15
 Min. ambient temperature: -10 °C
 Max. ambient temperature: 50 °C



Type	Max. number of valve positions	Part No.
Manifold strip	5	R422000945

Mounting on manifold strip



The following must be ordered to mount the valves: manifold strip A, mounting kit B (R422000948), Blanking plate C (R422000941)

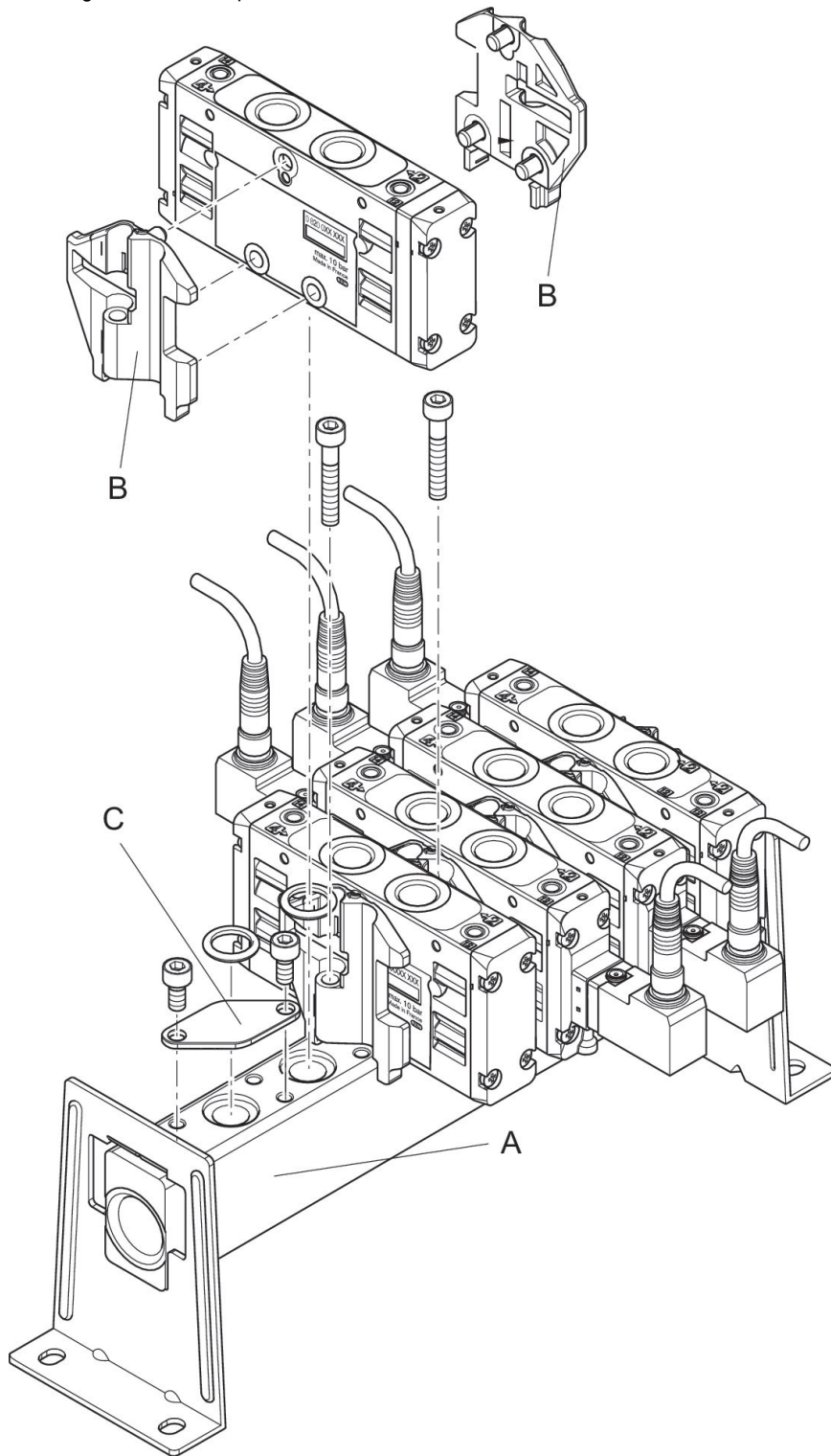
Manifold strip, Series TC15

Flow: 1500 l/min
 For series: TC15
 Min. ambient temperature: -10 °C
 Max. ambient temperature: 50 °C



Type	Max. number of valve positions	Part No.
Manifold strip	6	R422000946

Mounting on manifold strip



The following must be ordered to mount the valves: manifold strip A, mounting kit B (R422000948), Blanking plate C (R422000941)

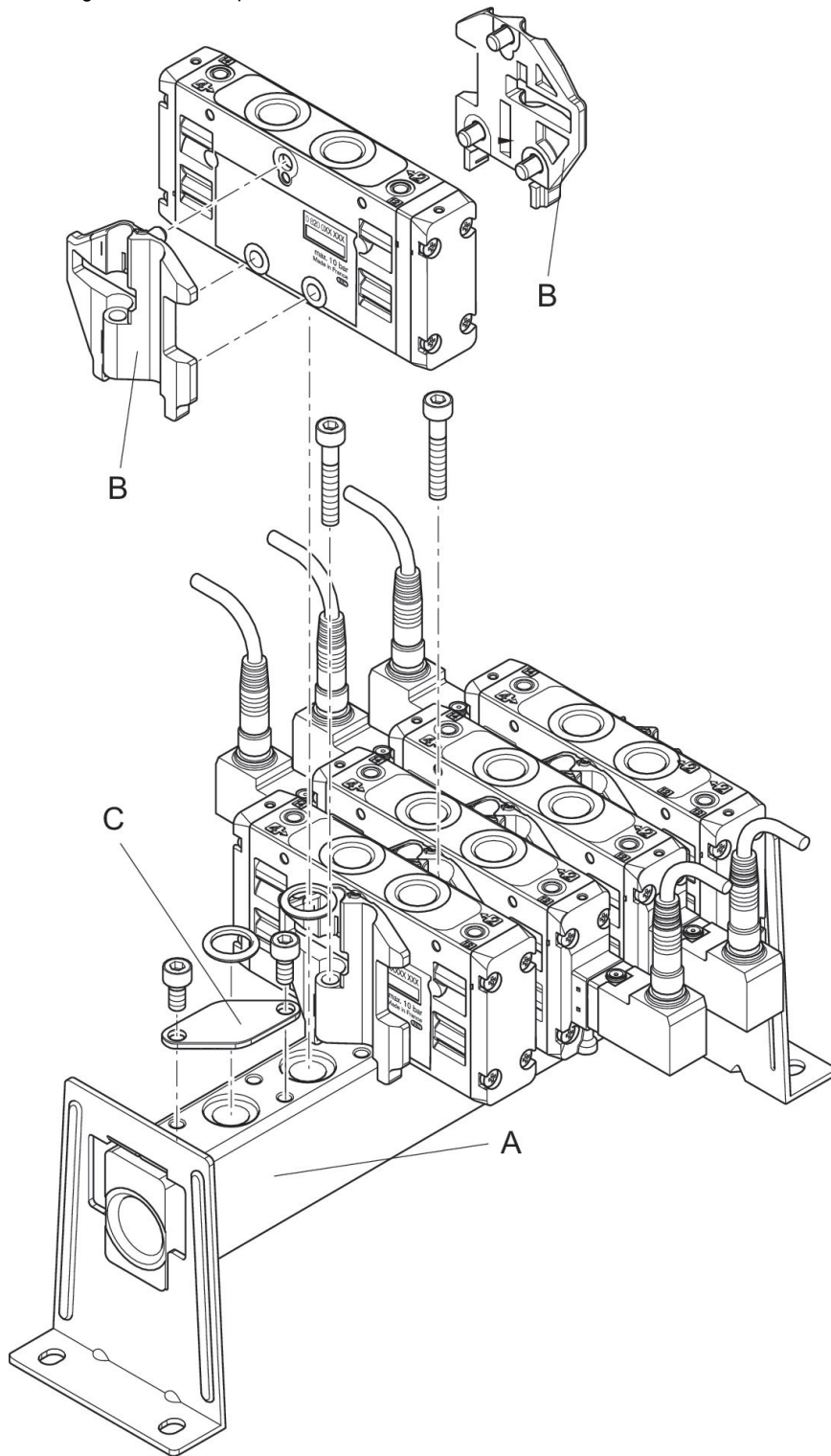
Manifold strip, Series TC15

Flow: 1500 l/min
For series: TC15
Min. ambient temperature: -10 °C
Max. ambient temperature: 50 °C



Type	Max. number of valve positions	Part No.
Manifold strip	8	R412012680

Mounting on manifold strip



The following must be ordered to mount the valves: manifold strip A, mounting kit B (R422000948), Blanking plate C (R422000941)

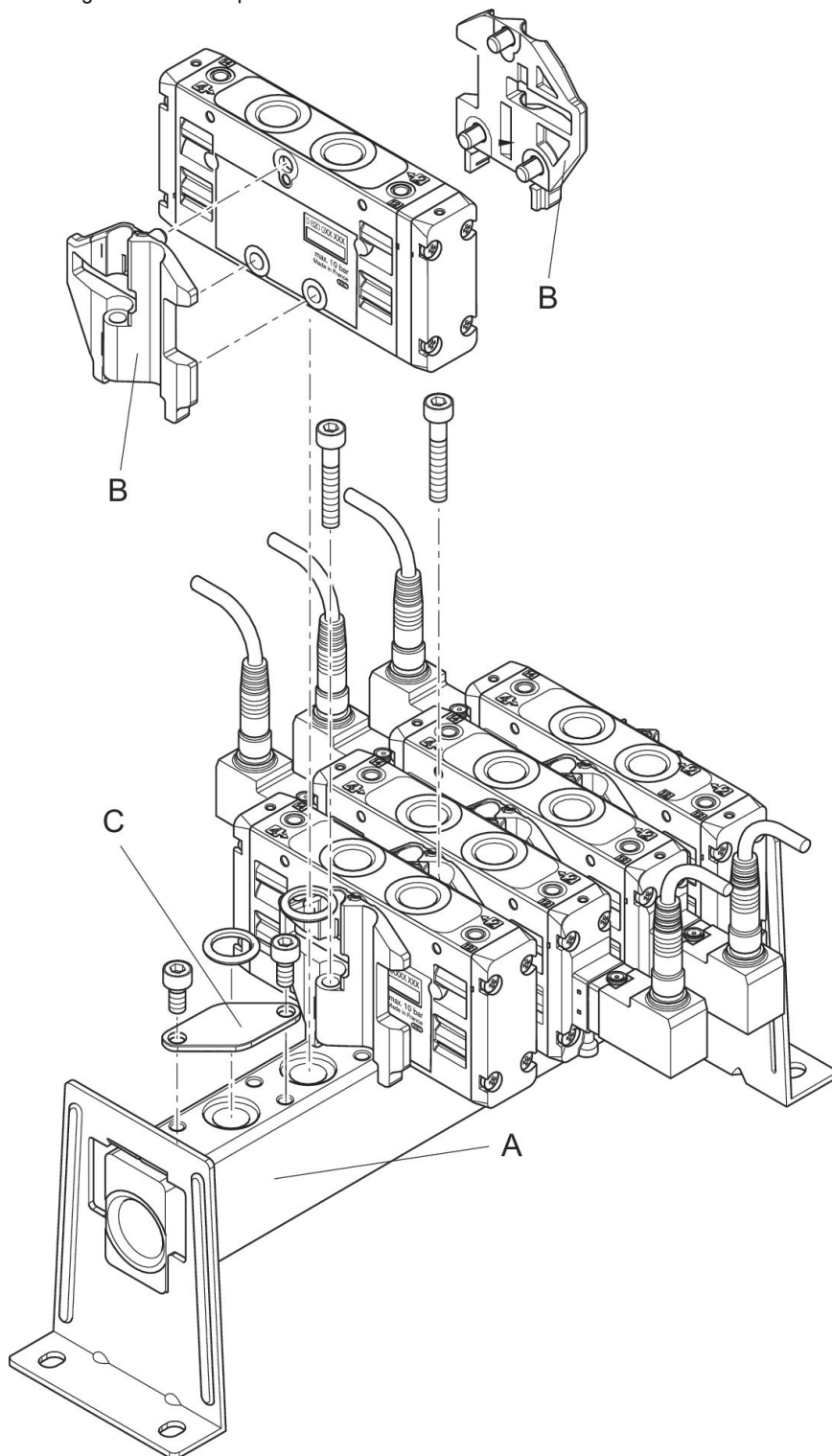
Manifold strip, Series TC15

Flow: 1500 l/min
For series: TC15
Min. ambient temperature: -10 °C
Max. ambient temperature: 50 °C



Type	Max. number of valve positions	Part No.
Manifold strip	10	R412012681

Mounting on manifold strip



The following must be ordered to mount the valves: manifold strip A, mounting kit B (R422000948), Blanking plate C (R422000941)

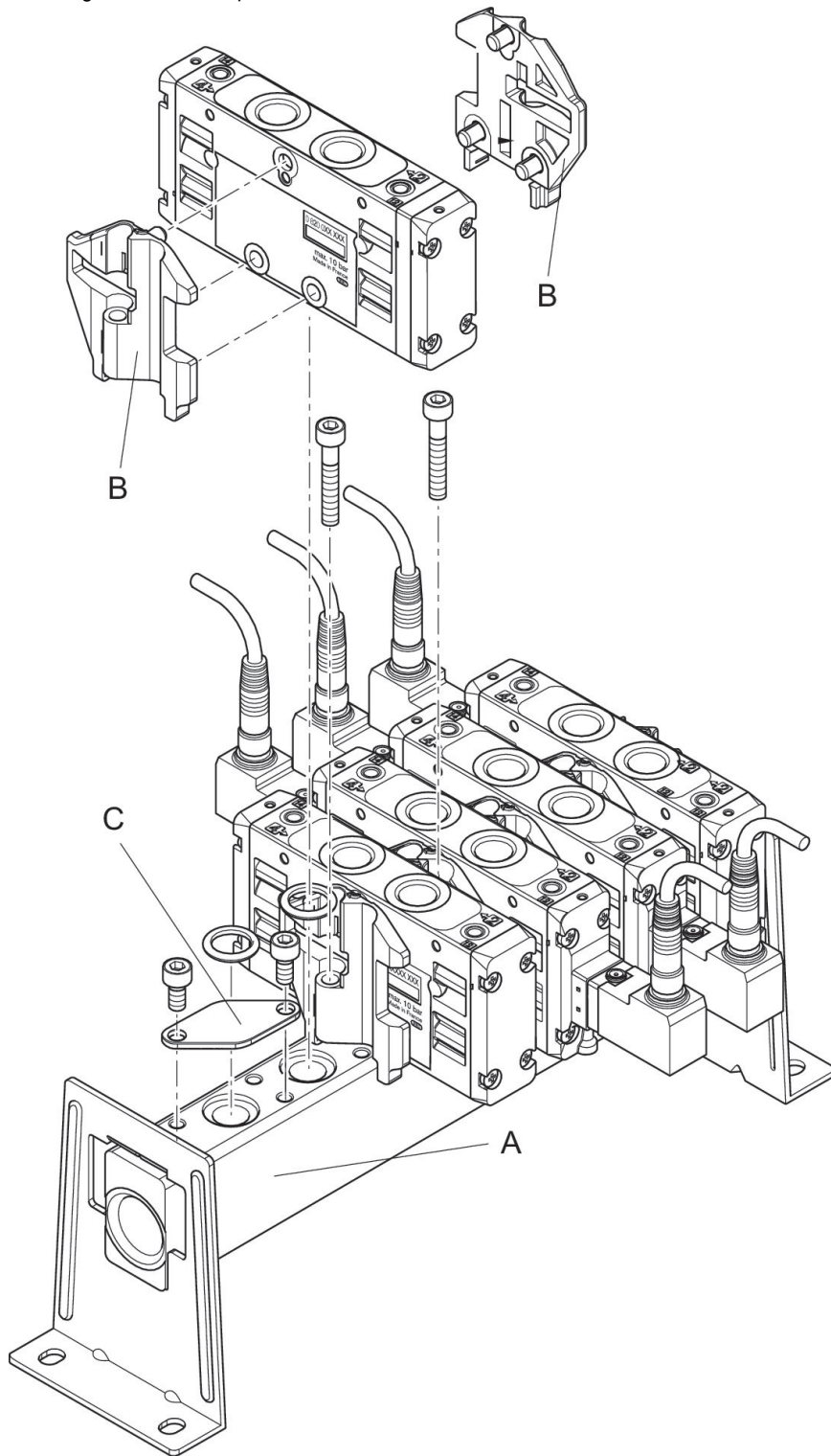
Manifold strip, Series TC15

Flow: 1500 l/min
For series: TC15
Min. ambient temperature: -10 °C
Max. ambient temperature: 50 °C



Type	Max. number of valve positions	Part No.
Manifold strip	12	R412012682

Mounting on manifold strip



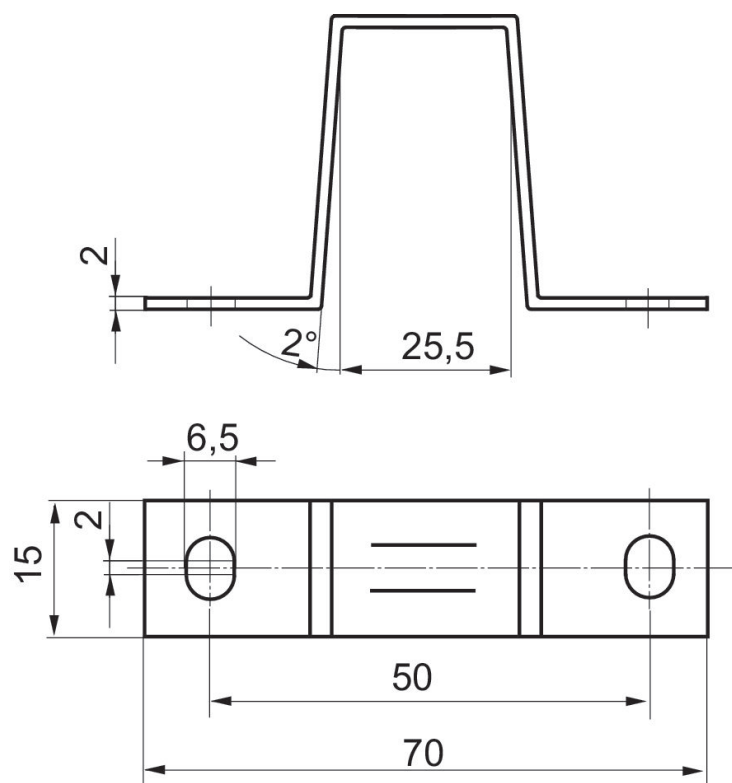
The following must be ordered to mount the valves: manifold strip A, mounting kit B (R422000948), Blanking plate C (R422000941)

Mounting clip

For series: TC15 RA

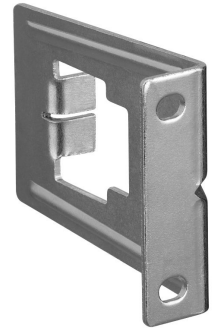


Type	Delivery unit [piece]	Weight [kg]	Part No.
Mounting clip	2	0.033	1821332051

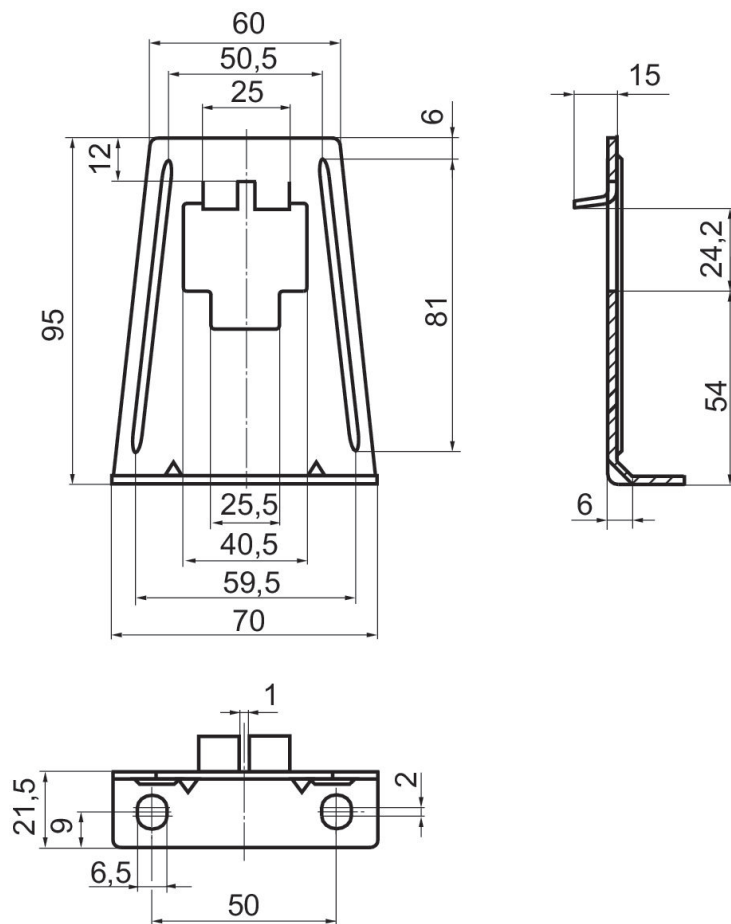


Mounting bracket

For series: TC15







Type	Delivery unit [piece]	Weight [kg]	Part No.
Mounting bracket	1	0.1	1821332050



Efficient pneumatic solutions, our program:
cylinders and drives, valves and valve systems,
air supply management, proportional pressure
control valves



Visit us: www.Emerson.com/aventics
Your local contact: Emerson.com/contactus

-  Emerson.com
-  Facebook.com/EmersonAutomationSolutions
-  LinkedIn.com/company/Emerson-Automation-Solutions
-  Twitter.com/EMR_Automation



The Emerson logo is a trademark and service mark of Emerson Electric Co. AVENTICS is a registered trademark of one of the Emerson family of companies. All other trademarks are the property of their respective owners. © 2020 Emerson Electric Co. All rights reserved.



CONSIDER IT SOLVED™