

Series 840



Series 840

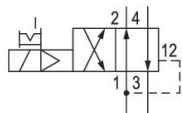
The AVENTICS Series 740/840 feature directional valves with soft, abrasion-free diaphragm technology. The simple, reliable and robust design is suitable for all air qualities and ensures high repeatability and unsurpassed service life. Due to its high resilience, the corrosion-resistant polyamide housing is also suited for dusty and damp environments.

- Rugged polymer housing
- Suitable for all air qualities
- For consistently high repeatability
- Base plate assembly and block assembly possible
- Versions also available with UL and ATEX coils



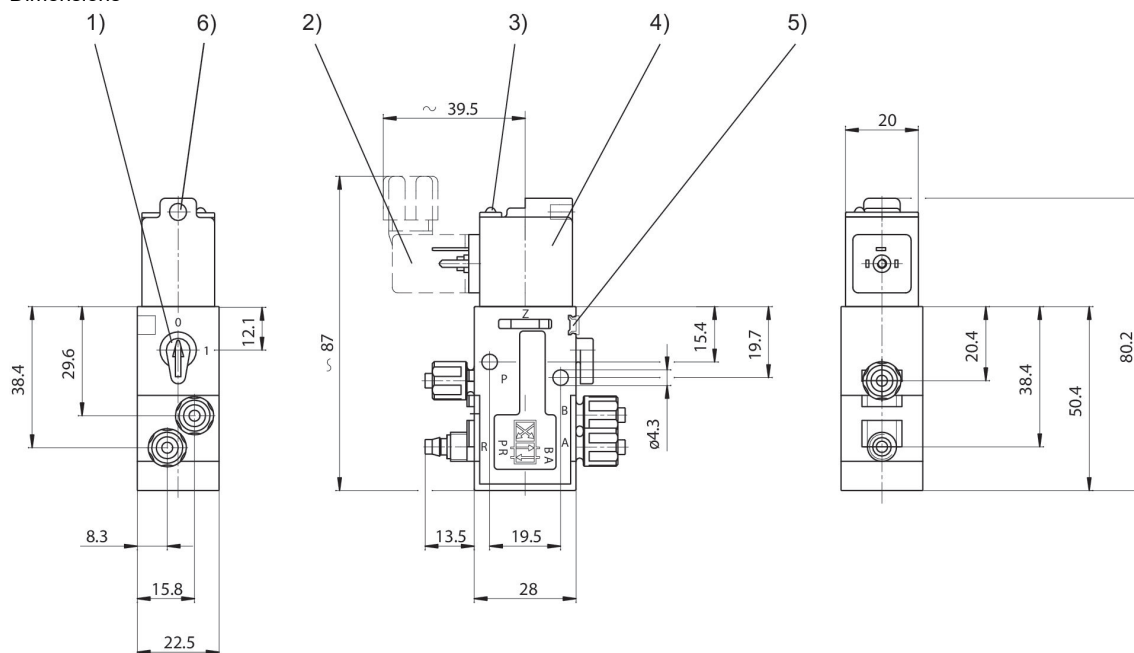
4/2-directional valve, Series 840

200 l/min
Single Solenoid
Plug
EN 175301-803, form C
plug-in with tube nut
Electrically



Switching principle	Compressed air connection input	Compressed air connection output	Compressed air connection, exhaust	Operational voltage DC	Operational voltage AC at 50 Hz	Operational voltage AC at 60 Hz	Voltage tolerance DC	Min. control pressure [bar]	Max. control pressure [bar]	Pilot	Manual override	Part No.
4/2, with air spring return	Ø 6x1	Ø 6x1	Ø 6x1	12 V DC			-10% / +10%	1.5	10	Internal	with detent	5728400410
4/2, with air spring return	Ø 6x1	Ø 6x1	Ø 6x1	24 V DC			-10% / +10%	1.5	10	Internal	with detent	5728400420
4/2, with air spring return	Ø 6x1	Ø 6x1	Ø 6x1	24 V DC			-10% / +10%	1.5	10	Internal	with detent	5728400620
4/2, with air spring return	Ø 6x1	Ø 6x1	Ø 6x1	24 V AC	24 V	24 V		1.5	10	Internal	with detent	5728405420
4/2, with air spring return	Ø 6x1	Ø 6x1	Ø 6x1	110 V DC	110 V	110 V		1.5	10	Internal	with detent	5728405470
4/2, with air spring return	Ø 6x1	Ø 6x1	Ø 6x1	230 V AC	230 V	230 V		1.5	10	Internal	with detent	5728405480
4/2, with air spring return	Ø 6x1	Ø 6x1	Ø 6x1	230 V AC	230 V	230 V		1.5	10	Internal	with detent	5728405680

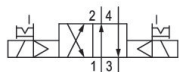
Dimensions



- 1) Manual override 2) Valve plug connector 3) LED display 4) Coil can be rotated at 180° intervals
- 5) Mounting space for name plate 6) Hole for M5 fitting or silencer \varnothing 4.5 mm

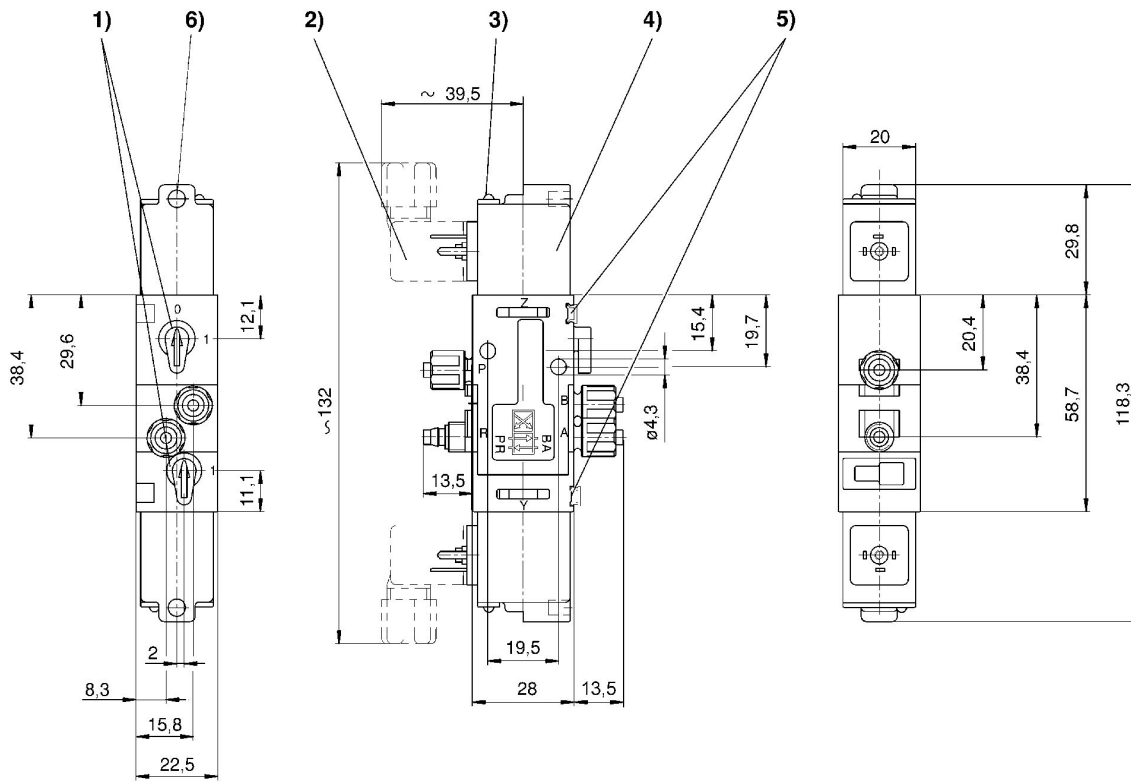
4/2-directional valve, Series 840

200 l/min
Double Solenoid
Plug
EN 175301-803, form C
plug-in with tube nut
Electrically



Switching principle	Compressed air connection input	Compressed air connection output	Compressed air connection, exhaust	Operational voltage DC	Operational voltage AC at 50 Hz	Operational voltage AC at 60 Hz	Voltage tolerance DC	Min. control pressure [bar]	Max. control pressure [bar]	Pilot	Manual override	Part No.
4/2, double solenoid	Ø 6x1	Ø 6x1	Ø 6x1	12 V DC			-10% / +10%	1.8	10	Internal	with detent	5728410410
4/2, double solenoid	Ø 6x1	Ø 6x1	Ø 6x1	24 V DC			-10% / +10%	1.8	10	Internal	with detent	5728410420
4/2, double solenoid	Ø 6x1	Ø 6x1	Ø 6x1	24 V DC			-10% / +10%	1.8	10	Internal	with detent	5728410620
4/2, double solenoid	Ø 6x1	Ø 6x1	Ø 6x1	24 V AC	24 V	24 V		1.8	10	Internal	with detent	5728415420
4/2, double solenoid	Ø 6x1	Ø 6x1	Ø 6x1	110 V AC	110 V	110 V		1.8	10	Internal	with detent	5728415470
4/2, double solenoid	Ø 6x1	Ø 6x1	Ø 6x1	230 V AC	230 V	230 V		1.8	10	Internal	with detent	5728415480
4/2, double solenoid	Ø 6x1	Ø 6x1	Ø 6x1	230 V AC	230 V	230 V		1.8	10	Internal	with detent	5728415680

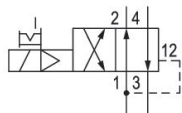
Dimensions



- 1) Manual override
- 2) Valve plug connector
- 3) LED display
- 4) Coil can be rotated at 180° intervals
- 5) Mounting space for name plate
- 6) Hole for M5 fitting or silencer Ø 4.5 mm

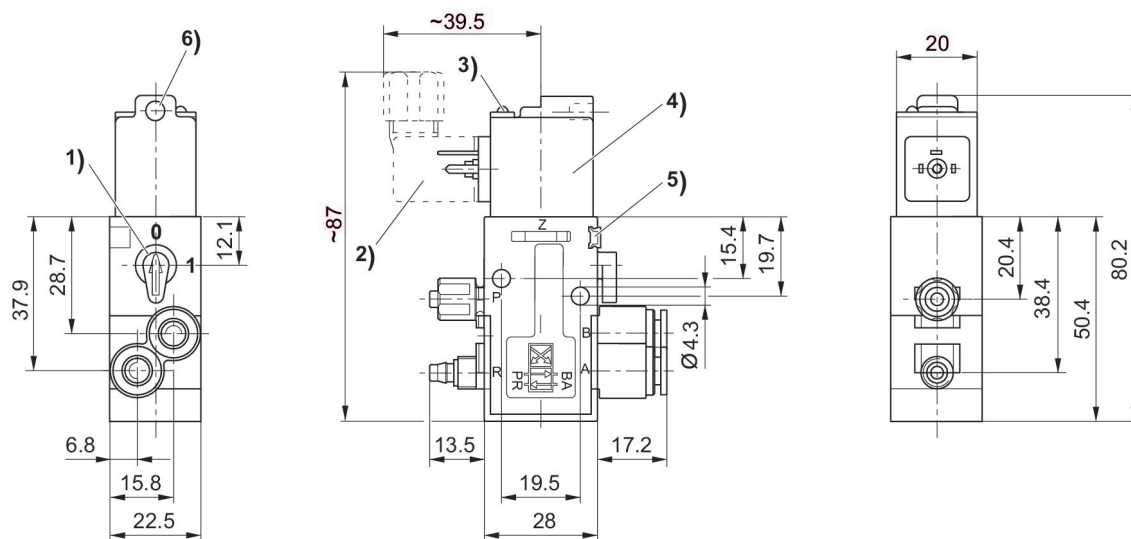
4/2-directional valve, Series 840

200 l/min
Single Solenoid
Plug
EN 175301-803, form C
push-in fitting
plug-in with tube nut
Electrically



Switching principle	Compressed air connection input	Compressed air connection output	Compressed air connection, exhaust	Operational voltage DC	Operational voltage AC at 50 Hz	Operational voltage AC at 60 Hz	Voltage tolerance DC	Min. control pressure [bar]	Max. control pressure [bar]	Pilot	Manual override	Part No.
4/2, with air spring return	Ø 6x1	Ø 6	Ø 6x1	12 V DC			-10% / +10%	1.5	10	Internal	with detent	5728450410
4/2, with air spring return	Ø 6x1	Ø 6	Ø 6x1	24 V DC			-10% / +10%	1.5	10	Internal	with detent	5728450420
4/2, with air spring return	Ø 6x1	Ø 6	Ø 6x1	24 V DC			-10% / +10%	1.5	10	Internal	with detent	5728450620
4/2, with air spring return	Ø 6x1	Ø 6	Ø 6x1	24 V AC	24 V	24 V		1.5	10	Internal	with detent	5728455420
4/2, with air spring return	Ø 6x1	Ø 6	Ø 6x1	110 V DC	110 V	110 V		1.5	10	Internal	with detent	5728455470
4/2, with air spring return	Ø 6x1	Ø 6	Ø 6x1	230 V AC	230 V	230 V		1.5	0	Internal	with detent	5728455480
4/2, with air spring return	Ø 6x1	Ø 6	Ø 6x1	230 V AC	230 V	230 V		1.5	10	Internal	with detent	5728455680

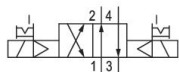
Dimensions



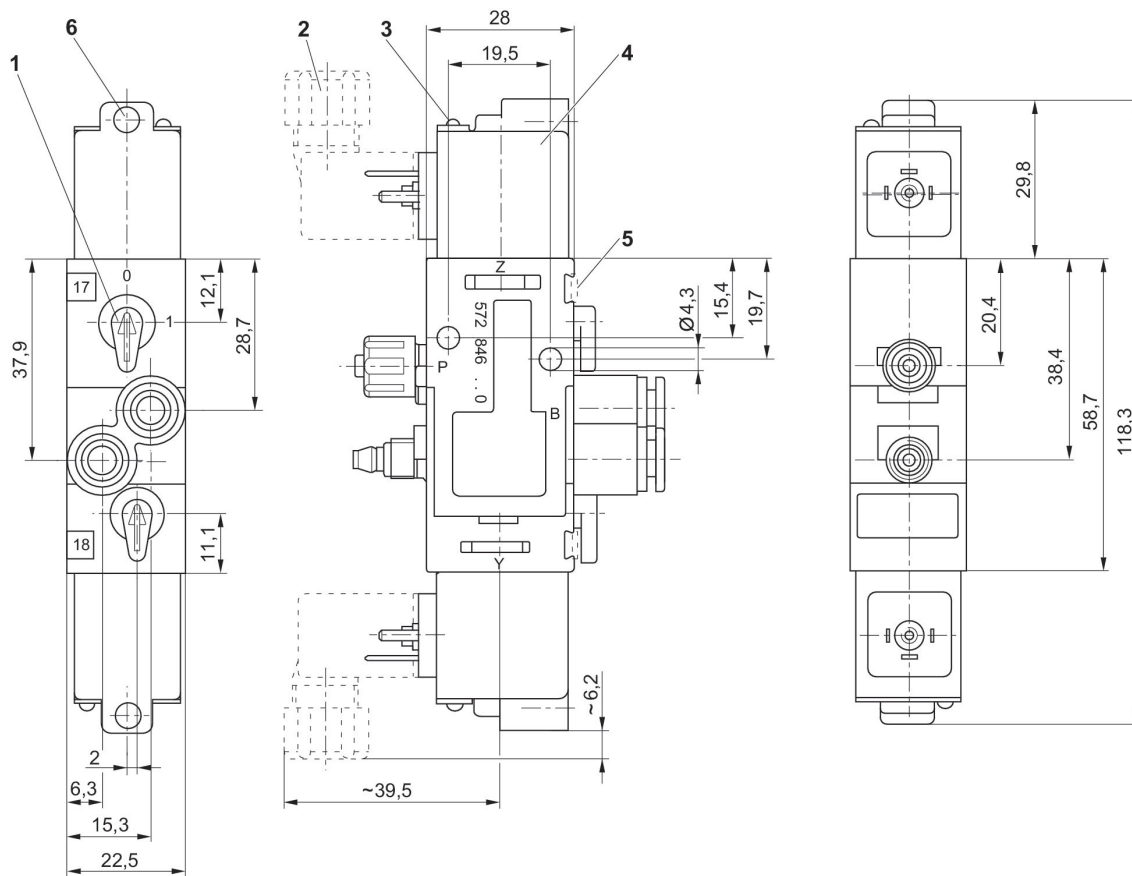
- 1) Manual override 2) Valve plug connector 3) LED display 4) Coil can be rotated at 180° intervals
5) Mounting space for name plate 6) Hole for M5 fitting or silencer $\varnothing 4.5$ mm

4/2-directional valve, Series 840

200 l/min
Double Solenoid
Plug
EN 175301-803, form C
push-in fitting
plug-in with tube nut
Electrically



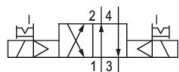
Switching principle	Compressed air connection input	Compressed air connection output	Compressed air connection, exhaust	Operational voltage DC	Operational voltage AC at 50 Hz	Operational voltage AC at 60 Hz	Voltage tolerance DC	Min. control pressure [bar]	Max. control pressure [bar]	Pilot	Manual override	Part No.
4/2, double solenoid	Ø 6x1	Ø 6	Ø 6x1	12 V DC			-10% / +10%	1.8	10	Internal	with detent	5728460410
4/2, double solenoid	Ø 6x1	Ø 6	Ø 6x1	24 V DC			-10% / +10%	1.8	10	Internal	with detent	5728460420
4/2, double solenoid	Ø 6x1	Ø 6	Ø 6x1	24 V DC			-10% / +10%	1.8	10	Internal	with detent	5728460620
4/2, double solenoid	Ø 6x1	Ø 6	Ø 6x1	24 V AC	24 V	24 V		1.8	10	Internal	with detent	5728465420
4/2, double solenoid	Ø 6x1	Ø 6	Ø 6x1	110 V DC	110 V	110 V		1.8	10	Internal	with detent	5728465470
4/2, double solenoid	Ø 6x1	Ø 6	Ø 6x1	230 V AC	230 V	230 V		1.8	10	Internal	with detent	5728465480
4/2, double solenoid	Ø 6x1	Ø 6	Ø 6x1	230 V AC	230 V	230 V		1.8	10	Internal	with detent	5728465680



- 1) Manual override 2) Valve plug connector 3) LED display 4) Coil can be rotated at 180° intervals
5) Mounting space for name plate 6) Hole for M5 fitting or silencer $\varnothing 4.5$ mm

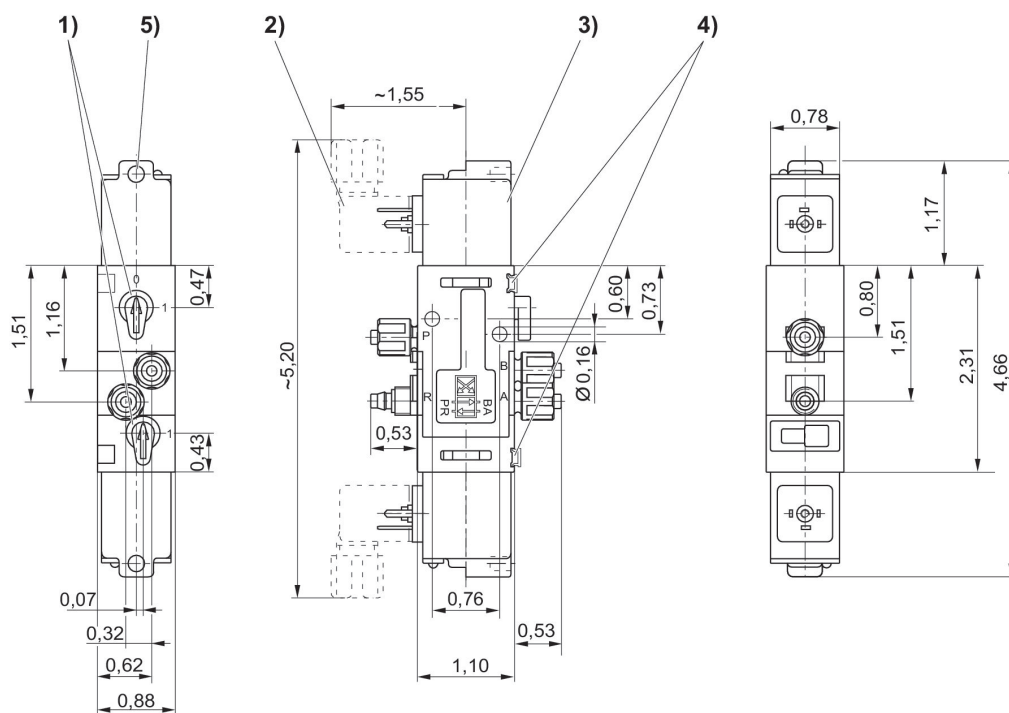
4/2-directional valve, Series 840

200 l/min
Double Solenoid
Plug
EN 175301-803, form C
plug-in with tube nut
Electrically



Switching principle	Compressed air connection input	Compressed air connection output	Compressed air connection, exhaust	Operational voltage DC	Operational voltage AC at 50 Hz	Operational voltage AC at 60 Hz	Voltage tolerance DC	Min. control pressure [bar]	Max. control pressure [bar]	Pilot	Manual override	Part No.
4/2, double solenoid	Ø 6x1	Ø 6x1	Ø 6x1	110 V AC	110 V	110 V		1.8	10	Internal	with detent	R432008664
4/2, double solenoid	Ø 6x1	Ø 6x1	Ø 6x1	12 V DC				1.8	10	Internal	with detent	R432008665
4/2, double solenoid	Ø 6x1	Ø 6x1	Ø 6x1	24 V DC			-10% / +10%	1.8	10	Internal	with detent	R432008666
4/2, double solenoid	Ø 6x1	Ø 6x1	Ø 6x1	24 V AC				1.8	10	Internal	with detent	R432030358

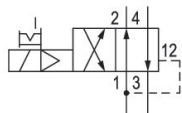
Dimensions in inches



- 1) Manual override
- 2) Valve plug connector
- 3) Coil can be rotated at 180° intervals
- 4) Mounting space for name plate
- 5) Hole for M5 fitting or silencer Ø 4.5 mm

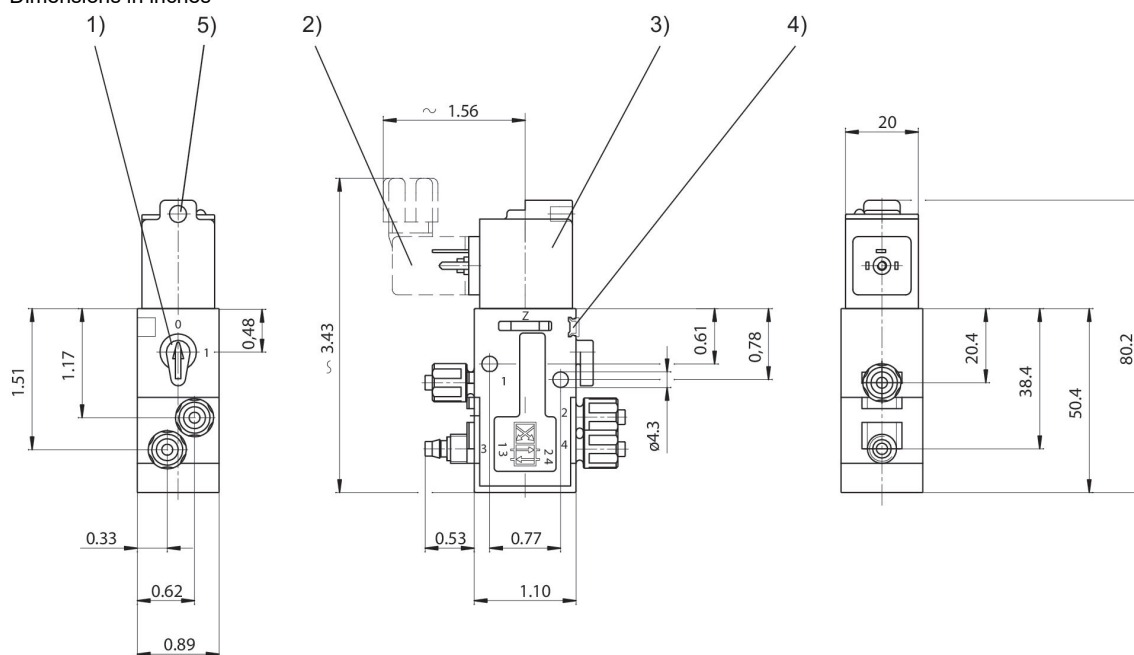
4/2-directional valve, Series 840

200 l/min
Single Solenoid
plug-in with tube nut
Electrically



Switching principle	Compressed air connection input	Compressed air connection output	Compressed air connection, exhaust	Operational voltage DC	Operational voltage AC at 50 Hz	Operational voltage AC at 60 Hz	Voltage tolerance DC	Min. control pressure [bar]	Max. control pressure [bar]	Pilot	Manual override	Part No.
4/2, with air spring return	1/4"	1/4"	1/4"	230 V AC			-10% / +15%	1.5	10	Internal	with detent	R432008661
4/2, with air spring return	1/4"	1/4"	1/4"	12 V DC			-10% / +10%	1.8	10	Internal	with detent	R432008662
4/2, with air spring return	1/4"	1/4"	1/4"	24 V AC			-10% / +15%	1.5	10	Internal	with detent	R432008663
4/2, with air spring return	1/4"	1/4"	1/4"	24 V DC			-10% / +10%	1.5	10	Internal	with detent	5728409980
4/2, with air spring return	1/4"	1/4"	1/4"	110 V AC	110 V	110 V		1.5	10	Internal	with detent	5728409990

Dimensions in inches



- 1) Manual override 2) Valve plug connector 3) Coil can be rotated at 180° intervals
- 4) Mounting space for name plate 5) Hole for M5 fitting or silencer $\phi 4.5$ mm

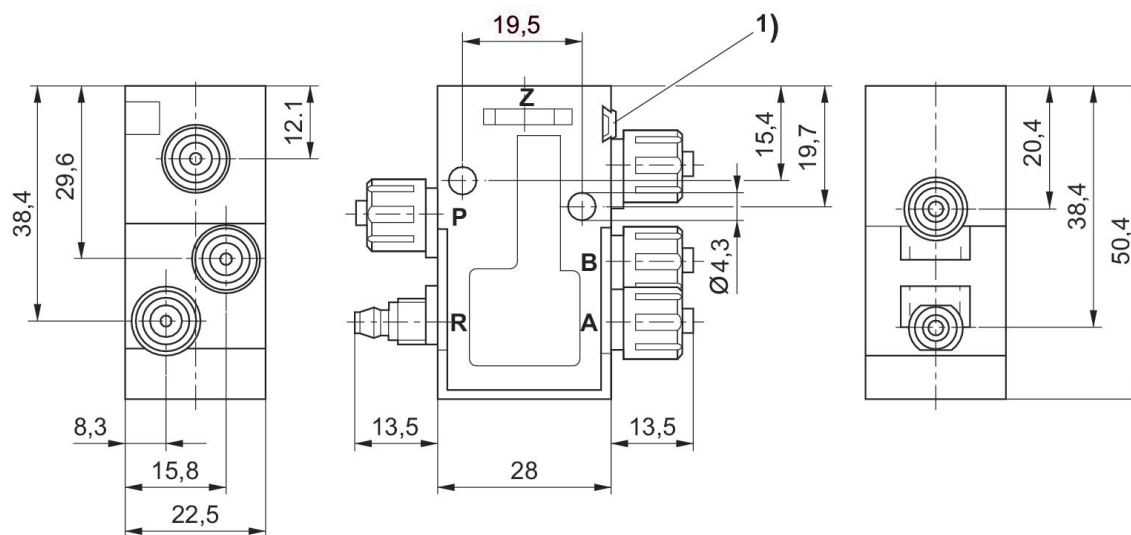
4/2-directional valve, Series 840

200 l/min
Single Air Pilot
plug-in with tube nut
Pneumatically



Compressed air connection input	Compressed air connection output	Compressed air connection, exhaust	Min. control pressure [bar]	Max. control pressure [bar]	Part No.
Ø 6x1	Ø 6x1	Ø 6x1	2	10	5718400000

Dimensions



1) mounting space for name plate

Valve plug connector, series CON-VP

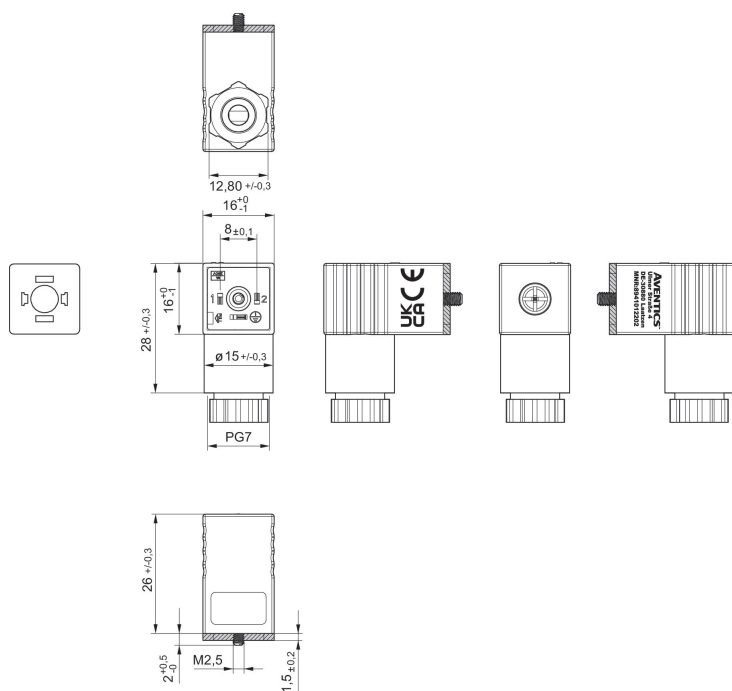
EN 175301-803, form C
CE declaration of conformity
UKCA



Operational voltage	Max. current [A]	Contact assignment	min. suitable cable Ø [mm]	max. suitable cable Ø [mm]	Part No.
300 V DC / 250 V AC	6	2+E	4	6	8941012202

8941012202

Dimensions



Flat gasket

Valve plug connector, series CON-VP

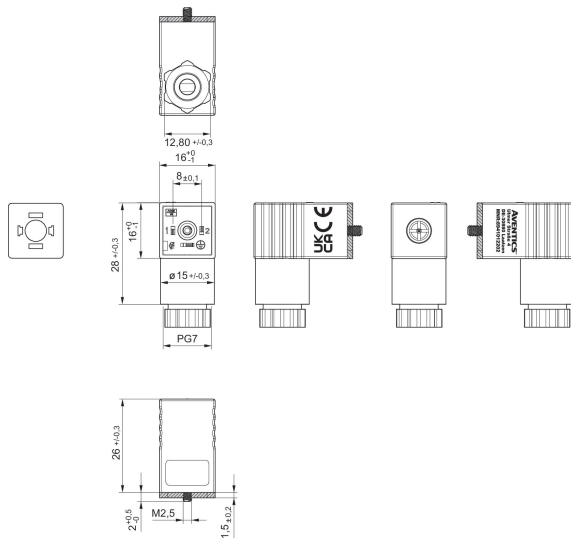
EN 175301-803, form C
CE declaration of conformity
UKCA



Operational voltage	Protective circuit	Max. current [A]	Contact assignment	LED status display	min. suitable cable Ø [mm]	max. suitable cable Ø [mm]	Part No.
300 V DC / 250 V AC		6	2+E		4	6	8941012202
24 V AC/DC	Varistor	1.5	2+E	Green	4	6	4402050330

8941012202

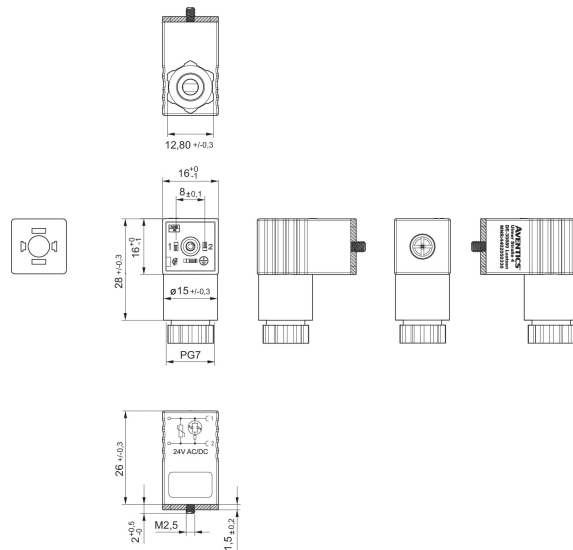
Dimensions



Flat gasket

4402050330

Dimensions



Flat gasket

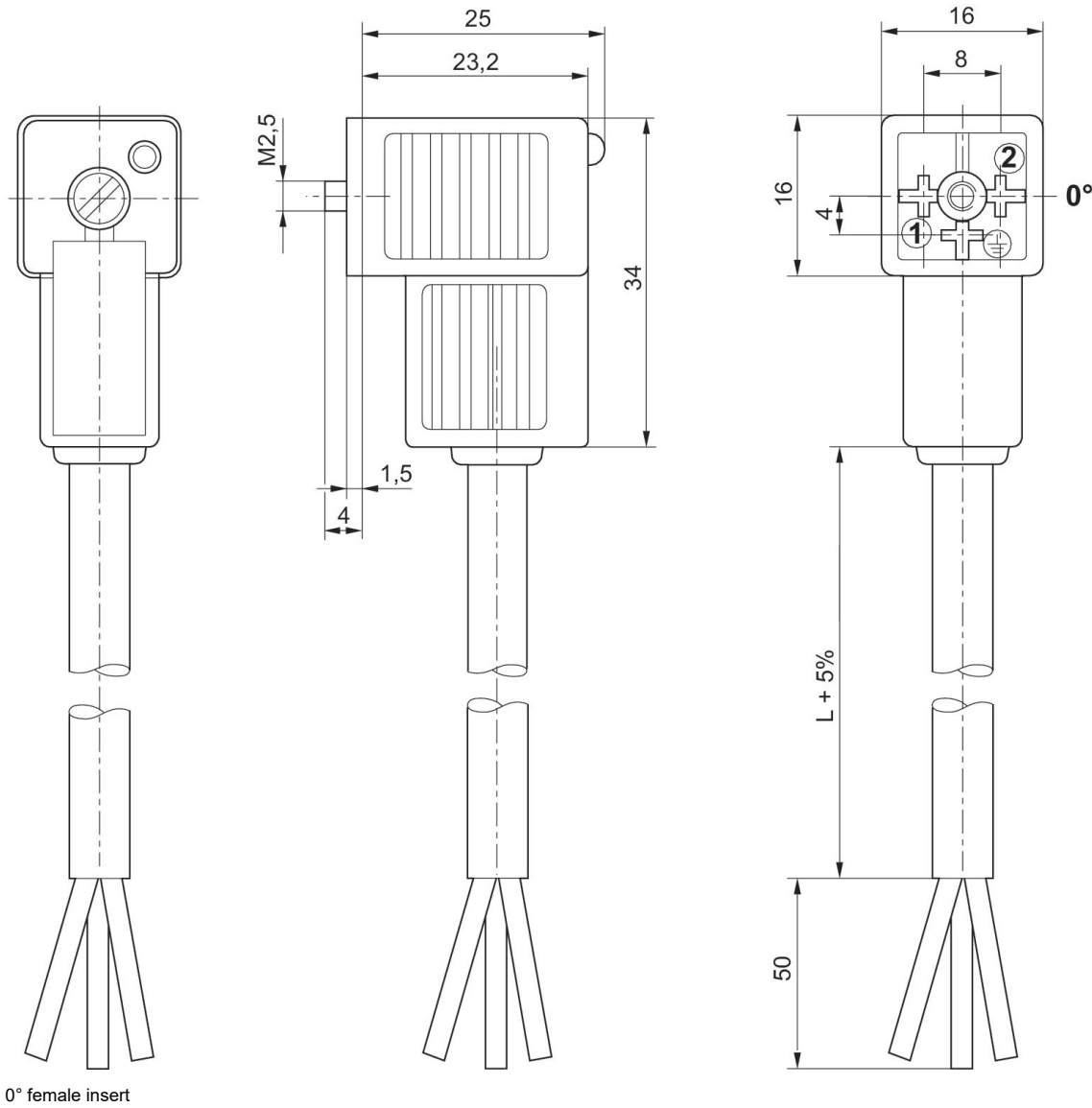
Valve plug connector, series CON-VP

form C



Operational voltage	Protective circuit	Max. current [A]	Contact assignment	LED status display	Cable-Ø [mm]	Cable length [m]	Part No.
24 V AC/DC	Z-diode	6	2+E	Yellow	5.9	3	1834484204
24 V AC/DC	Z-diode	6	2+E	Yellow	5.9	3	1834484205
24 V AC/DC	Z-diode	6	2+E	Yellow	5.9	5	1834484206
24 V AC/DC	Z-diode	6	2+E	Yellow	5.9	5	1834484207
24 V AC/DC	Z-diode	6	2+E	Yellow	5.9	10	1834484236
230 V AC/DC		6	2+E		5.9	3	1834484212
230 V AC/DC		6	2+E		5.9	3	1834484213
230 V AC/DC		6	2+E		5.9	5	1834484214
230 V AC/DC		6	2+E		5.9	5	1834484215
230 V AC/DC	Varistor	6	2+E	Yellow	5.9	3	1834484208
230 V AC/DC	Varistor	6	2+E	Yellow	5.9	3	1834484209
230 V AC/DC	Varistor	6	2+E	Yellow	5.9	5	1834484210
230 V AC/DC	Varistor	6	2+E	Yellow	5.9	5	1834484211

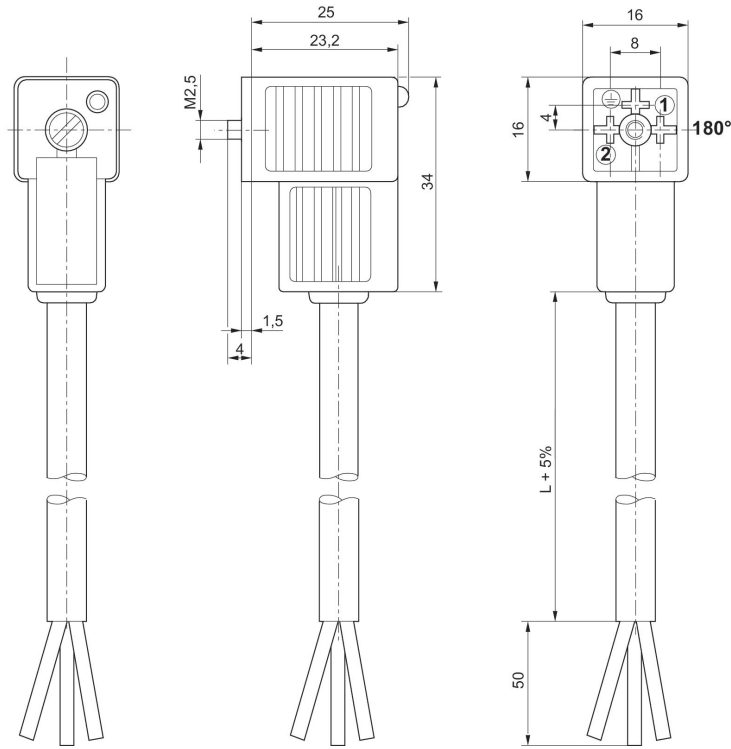
Dimensions



0° female insert

1834484205, 1834484207, 1834484236, 1834484213, 1834484215, 1834484209, 1834484211

Dimensions

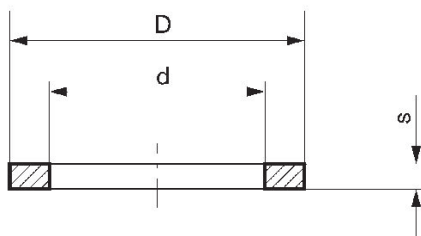


180° female insert

Sealing ring



Compressed air connection	Delivery unit [piece]	Part No.
M5	10	8114012384

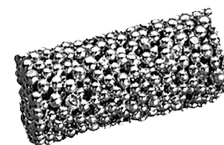


Part No.	G	d	D	s
8114012384	M5	5.2	7.4	1
8114012394	G1/8	10.2	13.4	1
8970185564	G1/4	13.2	18	1.5
8970185574	G3/8	16.7	21	1.5
8114011764	G 3/4	27.3	31.9	2
8114011774	G 1	33.3	38.9	2

G = thread size

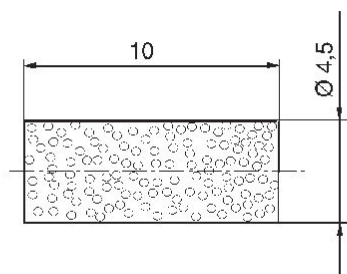
Silencers, series S11

Sintered bronze



Weight [kg]	Part No.
0.008	8993800114

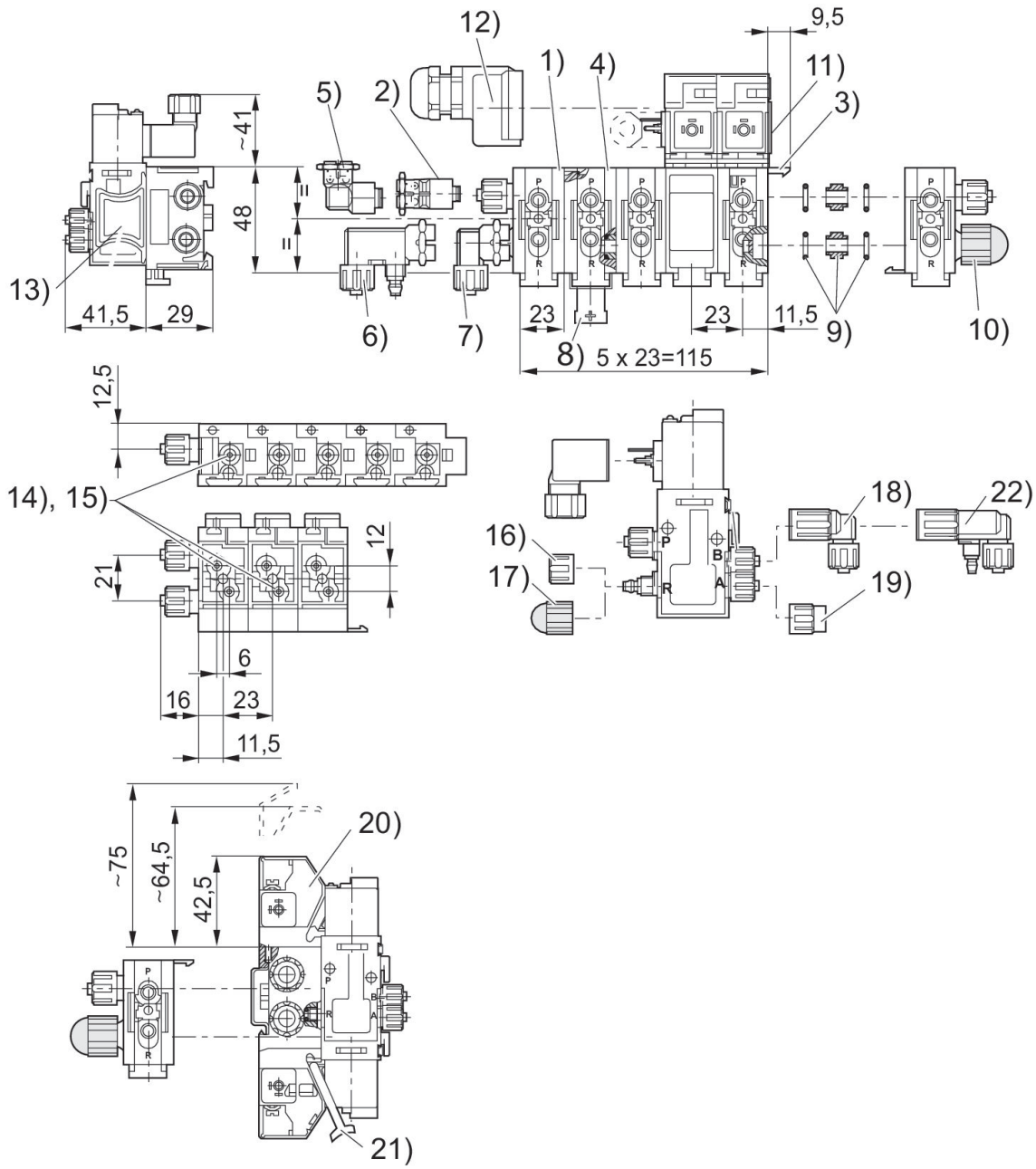
Dimensions



Subbases and accessories, Series 840



Type	Position	Part No.
Supply plate complete with seals	1	8985003702
sandwich plate complete with seals	4	8985003712
End plate, complete with O-rings	3	8985003722
Dummy flange for reserve places complete with seals	13	5728406004
Connecting kit for second inlet base	9	5728400092
silencer for port R of supply plate	10	5324002020
Sealing cap	11	5728400424
PG-fitting for plug module	12	8942003902
Tubing connector for separate or additional P-supply for plastic tubing Ø 5x1	15	8938013600
Elbow fitting, 1x, plastic tubing Ø 6x1 for supply plate	7	8938306500
Elbow fitting, 1x, plastic tubing Ø 8x1 for supply plate	7	8938306510
Tubing connector for separate or additional P-supply for plastic tubing Ø 6x1	14	8938009390
silencer for valve connection R	17	5324002000
Tube nut for valve conn. R	16	8930714804
Screw plug for valve connection A or B	19	8930715002
Elbow fitting 1x, for tubing Ø6x1, incl. O-ring	18	8938403900
El. conn. module for max. 250 V, with cable conduit	20	8941013312
Actuating element	21	5728417904
Elbow fitting, 2x, for tube Ø6x1, incl. O-ring and tube nut	22	8938403950



Name plates



Type	Delivery unit [piece]	Part No.
1-10	5	8943056312
11-20	5	8943056322

Efficient pneumatic solutions, our program: cylinders and drives, valves and valve systems, air supply management



Visit us: [Emerson.com/Aventics](https://www.emerson.com/aventics)

Your local contact: [Emerson.com/contactus](https://www.emerson.com/contactus)



[Emerson.com](https://www.emerson.com)



[Facebook.com/EmersonAutomationSolutions](https://www.facebook.com/EmersonAutomationSolutions)



[LinkedIn.com/company/Emerson-Automation-Solutions](https://www.linkedin.com/company/Emerson-Automation-Solutions)



[Twitter.com/EMR_Automation](https://twitter.com/EMR_Automation)

An example configuration is depicted on the title page. The delivered product may thus vary from that in the illustration. Subject to change. This Document, as well as the data, specifications and other information set forth in it, are the exclusive property of AVENTICS GmbH. It may not be reproduced or given to third parties without its consent. Only use the AVENTICS products shown in industrial applications. Read the product documentation completely and carefully before using the product. Observe the applicable regulations and laws of the respective country. When integrating the product into applications, note the system manufacturer's specifications for safe use of the product. The data specified only serve to describe the product. No statements concerning a certain condition or suitability for a certain application can be derived from our information. The information given does not release the user from the obligation of own judgment and verification. It must be remembered that the products are subject to a natural process of wear and aging.

The Emerson logo is a trademark and service mark of Emerson Electric Co. Brand logotype are registered trademarks of one of the Emerson family of companies. All other marks are the property of their respective owners. © 2019 Emerson Electric Co. All rights reserved.



CONSIDER IT SOLVED™