

Series 740



AVENTICS™

AVENTICS Series 740 Directional
valves


EMERSON™

Series 740

The AVENTICS Series 740/840 feature directional valves with soft, abrasion-free diaphragm technology. The simple, reliable and robust design is suitable for all air qualities and ensures high repeatability and unsurpassed service life. Due to its high resilience, the corrosion-resistant polyamide housing is also suited for dusty and damp environments.

- Rugged polymer housing
- Suitable for all air qualities
- For consistently high repeatability
- Base plate assembly and block assembly possible
- Versions also available with UL and ATEX coils



Product overview

	Page
Electrically operated	
5/2-directional valve, Series 740, basic valve without coil, 700 l/min, single solenoid, -15 °C cold-resistant.....	5
5/2-directional valve, Series 740, basic valve without coil, 700 l/min, double solenoid, -15 °C cold-resistant.....	6
5/2-directional valve, Series 740, basic valve without coil, 700 l/min, single solenoid, -25 °C cold-resistant.....	7
5/2-directional valve, Series 740, basic valve without coil, 700 l/min, double solenoid, -25 °C cold-resistant.....	8
5/2-directional valve, Series 740, basic valve without coil, 950 l/min, single solenoid, -15 °C cold-resistant.....	9
5/2-directional valve, Series 740, basic valve without coil, 950 l/min, double solenoid, -15 °C cold-resistant.....	10
5/2-directional valve, Series 740, basic valve without coil, 950 l/min, single solenoid, -15 °C cold-resistant.....	11
5/2-directional valve, Series 740, basic valve without coil, 1100 l/min, single solenoid, -15 °C cold-resistant.....	12
5/2-directional valve, Series 740, basic valve without coil, 1100 l/min, double solenoid, -15 °C cold-resistant.....	13
5/4-directional valve, Series 740, basic valve without coil, 950 l/min, double solenoid, -25 °C cold-resistant.....	14
5/2-directional valve, Series 740, 700 l/min, single solenoid, UL certification.....	15
5/2-directional valve, Series 740, 700 l/min, double solenoid, UL certification.....	17
5/2-directional valve, Series 740, single solenoid.....	19
5/2-directional valve, Series 740, double solenoid.....	21
5/2-directional valve, Series 740, single solenoid, corrosion-resistant.....	23
5/2-directional valve, Series 740, double solenoid, corrosion-resistant.....	25
5/2-directional valve, Series 740, 1100 l/min, single solenoid.....	27
5/2-directional valve, Series 740, 1100 l/min, double solenoid.....	29
5/4-directional valve, Series 740, Closed Center, UL certification.....	31
5/4-directional valve, Series 740, Exhausted Center, UL certification.....	33
5/4-directional valve, Series 740, double solenoid.....	35
5/4-directional valve, Series 740, double solenoid.....	37
Electrically operated, imperial	
5/2-directional valve, Series 740, single solenoid.....	38
5/2-directional valve, Series 740, double solenoid.....	40
5/2-directional valve, Series 740, single solenoid, corrosion-resistant.....	42
5/2-directional valve, Series 740, double solenoid, corrosion-resistant.....	44
5/4-directional valve, Series 740, double solenoid.....	46
Pneumatically operated	
5/2-directional valve, Series 740, single solenoid.....	49
5/2-directional valve, Series 740, single solenoid, corrosion-resistant.....	51
5/2-directional valve, Series 740, double solenoid.....	53
5/2-directional valve, Series 740, double solenoid, corrosion-resistant.....	55
Pneumatically operated, imperial	
5/2-directional valve, Series 740, single solenoid.....	56
5/2-directional valve, Series 740, double solenoid.....	58

Product overview

Accessories overview Electrical accessories

	Page
Valve plug connector with cable series CON-VP, 230 V AC/DC.....	61
Valve plug connector with cable series CON-VP, 24/230 V AC/DC.....	63
Valve plug connector, series CON-VP, Form A, 24 V AC/DC, Flat gasket.....	65
Valve plug connector, series CON-VP, form A, 115/230 V AC/DC.....	67
Contact bridges, series CON-CB.....	69
Contact bridges, series CON-CB.....	70
Coil, Series CO1, form A.....	72
Coil, Series CO1, ATEX.....	74
Coil, Series CO1, with cable, ATEX.....	76
Adapter, Series CON-VP, from form A to form C.....	78

Accessories overview Mechanical accessories

Fittings - Accessories, Series 740.....	79
Subbases and accessories.....	82
Subbases and accessories.....	83
P-manifold.....	84

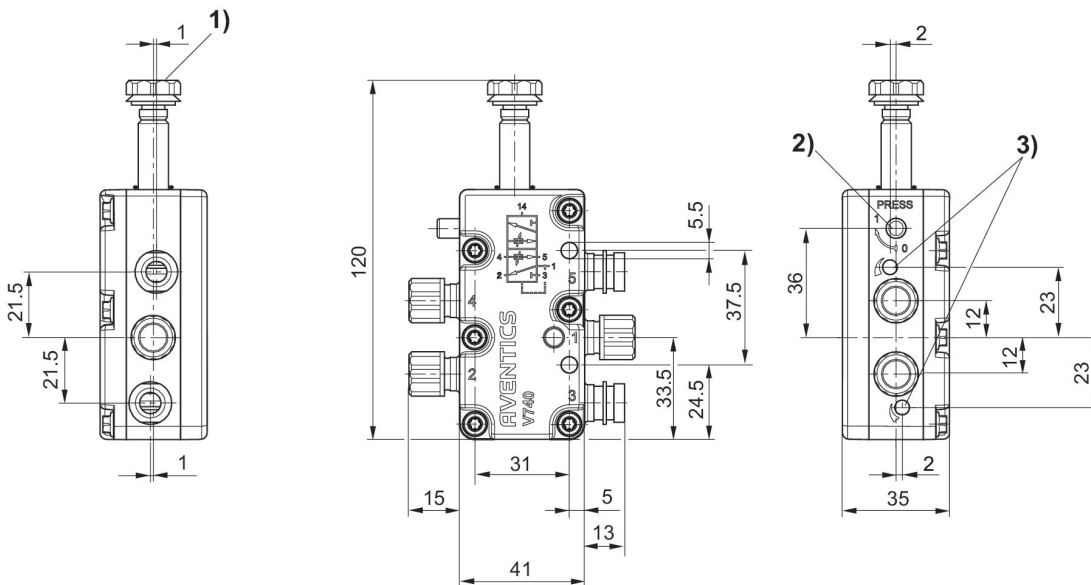
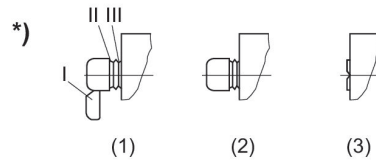
5/2-directional valve, Series 740, basic valve without coil, 700 l/min, single solenoid, -15 °C cold-resistant

Flow: 700 l/min
Activation: Electrically
Compressed air connection input: Ø 8x1
Type: Diaphragm poppet valve



Switching principle	Compressed air connection input	Compressed air connection output	Compressed air connection, exhaust	Pilot	Manual override	Part No.
5/2, with air spring return	Ø 8x1	Ø 8x1	M14x1	Internal	without detent, with detent	5727405302

Dimensions in mm



- 1) M5 internal thread accessible under cap
 - 2) Manual override and position indicator
 - 3) Throttle screw for exhausts 5 (R) and 3 (S) (S)
- * Manual override: Manual actuation: (1) with detent - push and turn into position 1 (2) without detent - remove segment I - push only Actuation with tool: (3) with detent - remove segments up to II - push with tool and turn into position 1

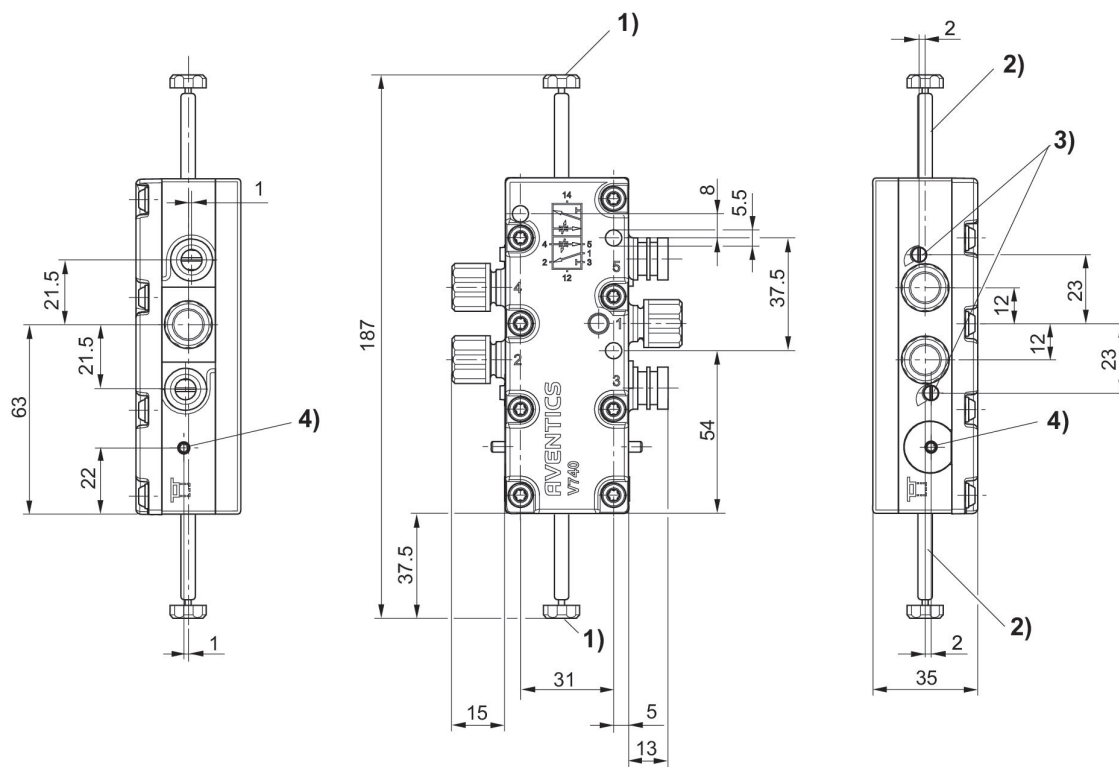
5/2-directional valve, Series 740, basic valve without coil, 700 l/min, double solenoid, -15 °C cold-resistant

Flow: 700 l/min
Activation: Electrically
Compressed air connection input: Ø 8x1
Type: Diaphragm poppet valve



Switching principle	Compressed air connection input	Compressed air connection output	Compressed air connection, exhaust	Pilot	Part No.
5/2, double solenoid	Ø 8x1	Ø 8x1	M14x1	Internal	R412009671

Dimensions in mm



- 1) M5 internal thread
- 2) Coil can be plugged at 45° intervals
- 3) Throttle screw for exhausts 5 (R) and 3 (S) (S)
- 4) Manual override and position indicator

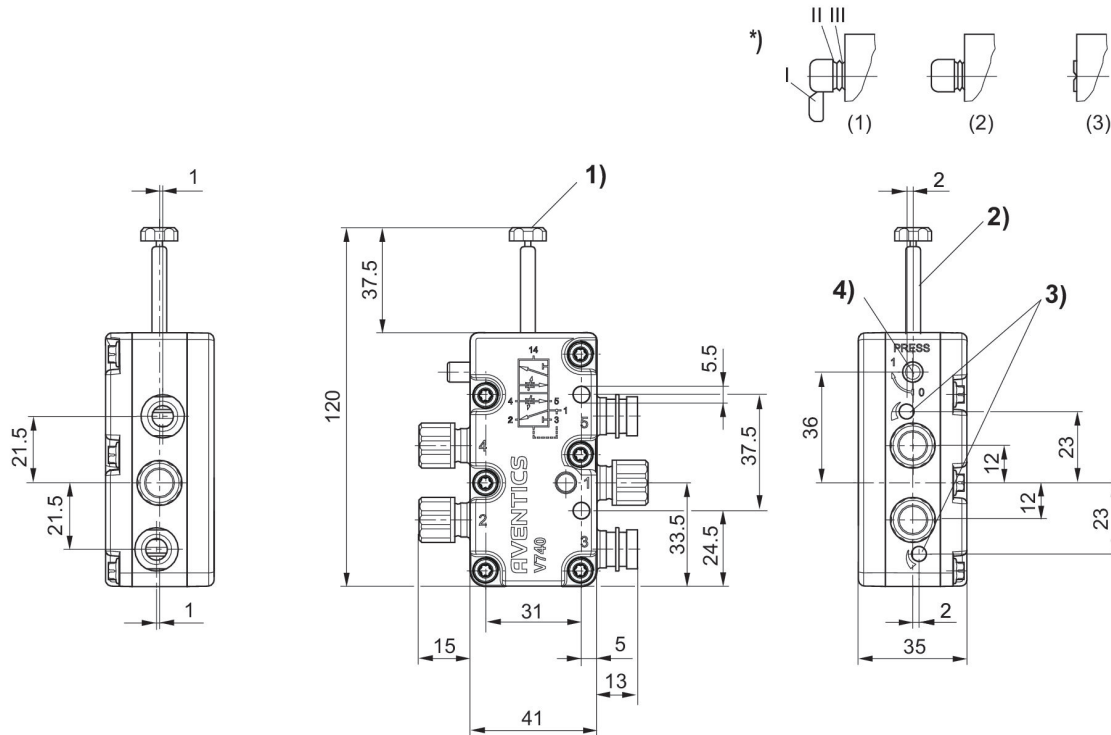
5/2-directional valve, Series 740, basic valve without coil, 700 l/min, single solenoid, -25 °C cold-resistant

Flow: 700 l/min
Activation: Electrically
Compressed air connection input: Ø 8x1
Type: Diaphragm poppet valve



Switching principle	Compressed air connection input	Compressed air connection output	Compressed air connection, exhaust	Pilot	Part No.
5/2, with air spring return	Ø 8x1	Ø 8x1	M14x1	Internal	R412009690

Dimensions in mm



1) M 5 internal thread 2) coil can be plugged at 45° intervals 3) throttle screw for exhausts 5 (R) and 3 (S) (S) 4) manual override and position indicator *) : manual override: manual actuation: (1) with detent - push and turn into position 1 (2) without detent - remove segment 1 - push only actuation by tool: (3) with detent - remove segments up to III - push with tool and turn into position 1

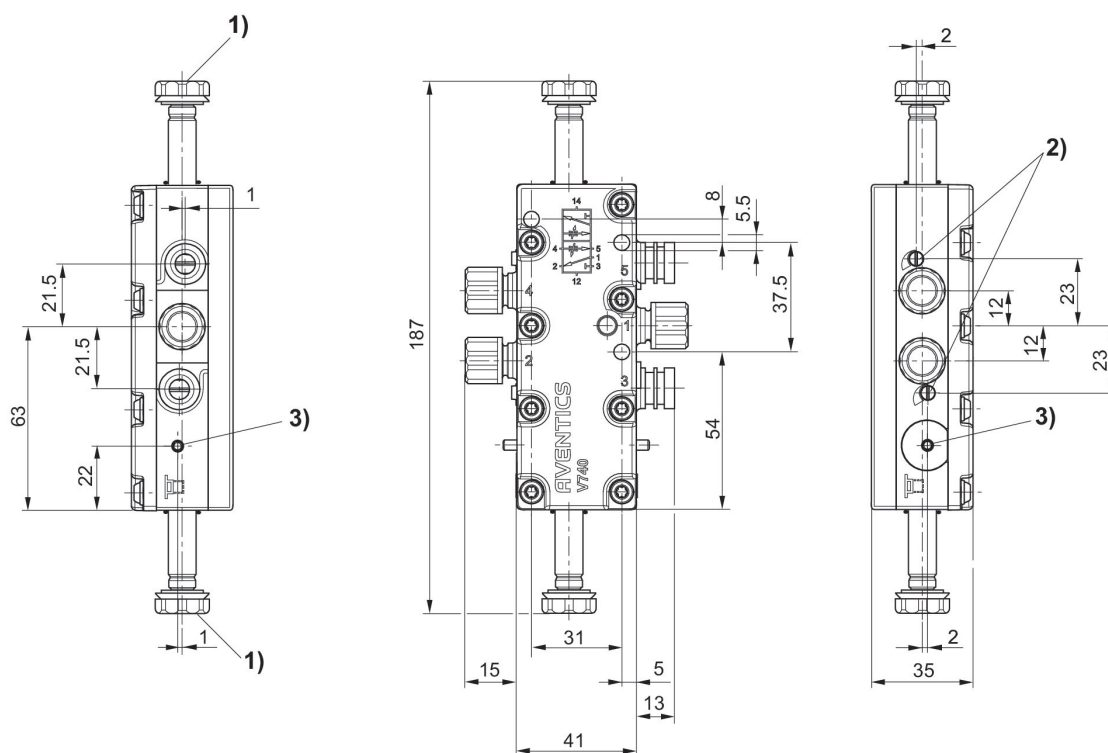
5/2-directional valve, Series 740, basic valve without coil, 700 l/min, double solenoid, -25 °C cold-resistant

Flow: 700 l/min
 Activation: Electrically
 Actuating control: Double Solenoid
 Compressed air connection input: Ø 8x1
 Type: Diaphragm poppet valve



Switching principle	Compressed air connection input	Compressed air connection output	Compressed air connection, exhaust	Pilot	Manual override	Part No.
5/2, double solenoid	Ø 8x1	Ø 8x1	M14x1	Internal	with detent	5727415302

Dimensions in mm



- 1) M5 internal thread accessible under cap
- 2) Throttle screw for exhausts 5 (R) and 3 (S) (S)
- 3) Manual override and position indicator

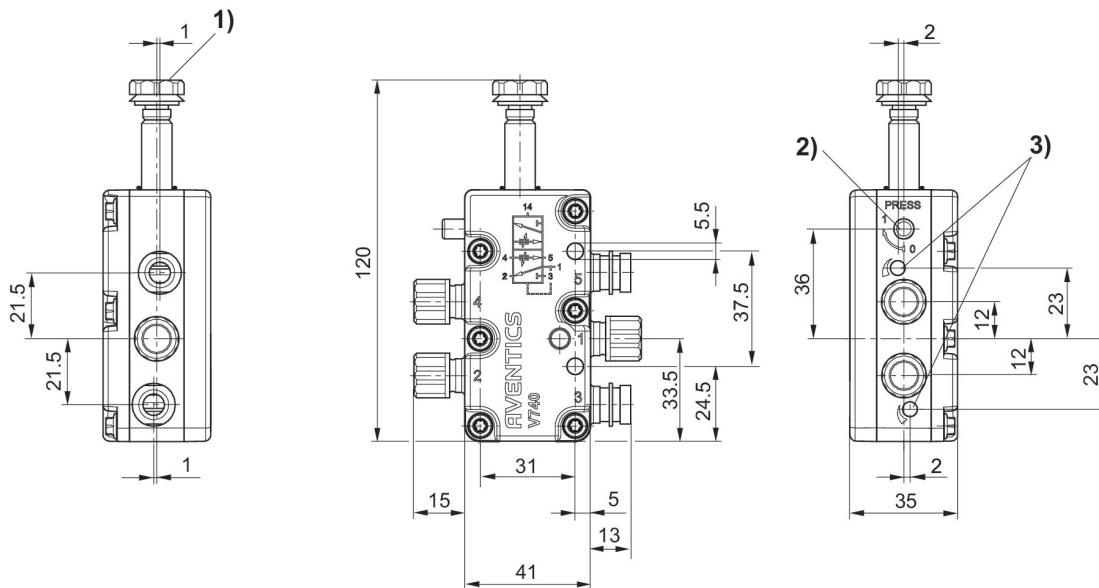
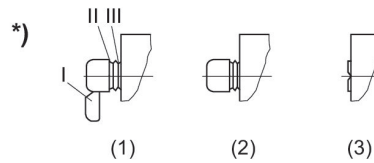
5/2-directional valve, Series 740, basic valve without coil, 950 l/min, single solenoid, -15 °C cold-resistant

Flow: 950 l/min
 Activation: Electrically
 Actuating control: Double Solenoid
 Compressed air connection input: Ø 10x1
 Type: Diaphragm poppet valve



Switching principle	Compressed air connection input	Compressed air connection output	Compressed air connection, exhaust	Pilot	Manual override	Part No.
5/2, with air spring return	Ø 10x1	Ø 10x1	M14x1	Internal	without detent, with detent	5727455302

Dimensions in mm



- 1) M5 internal thread accessible under cap
 - 2) Manual override and position indicator
 - 3) Throttle screw for exhausts 5 (R) and 3 (S) (S)
- * Manual override: Manual actuation: (1) with detent - push and turn into position 1 (2) without detent - remove segment I - push only Actuation with tool: (3) with detent - remove segments up to II - push with tool and turn into position 1

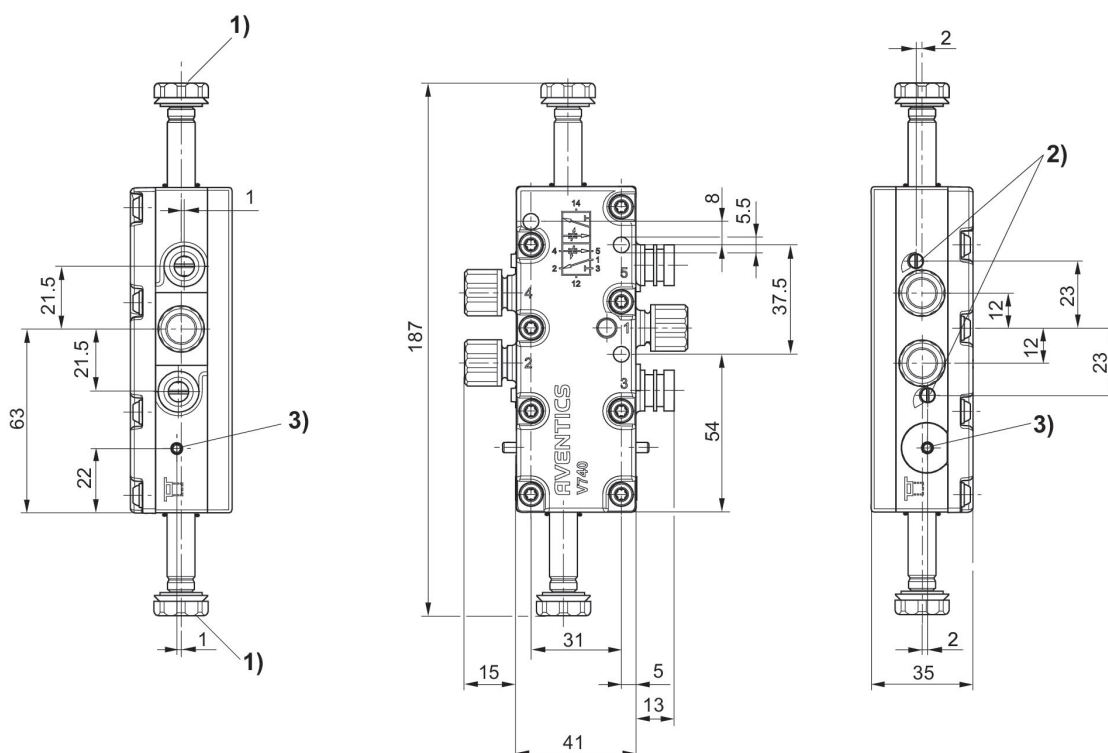
5/2-directional valve, Series 740, basic valve without coil, 950 l/min, double solenoid, -15 °C cold-resistant

Flow: 950 l/min
 Activation: Electrically
 Actuating control: Double Solenoid
 Compressed air connection input: Ø 10x1
 Type: Diaphragm poppet valve



Switching principle	Compressed air connection input	Compressed air connection output	Compressed air connection, exhaust	Pilot	Manual override	Part No.
5/2, double solenoid	Ø 10x1	Ø 10x1	M14x1	Internal	with detent	5727465302

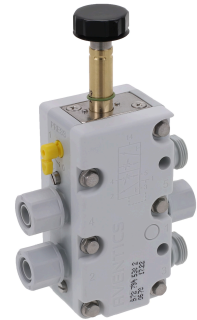
Dimensions in mm



- 1) M5 internal thread accessible under cap
- 2) Throttle screw for exhausts 5 (R) and 3 (S) (S)
- 3) Manual override and position indicator

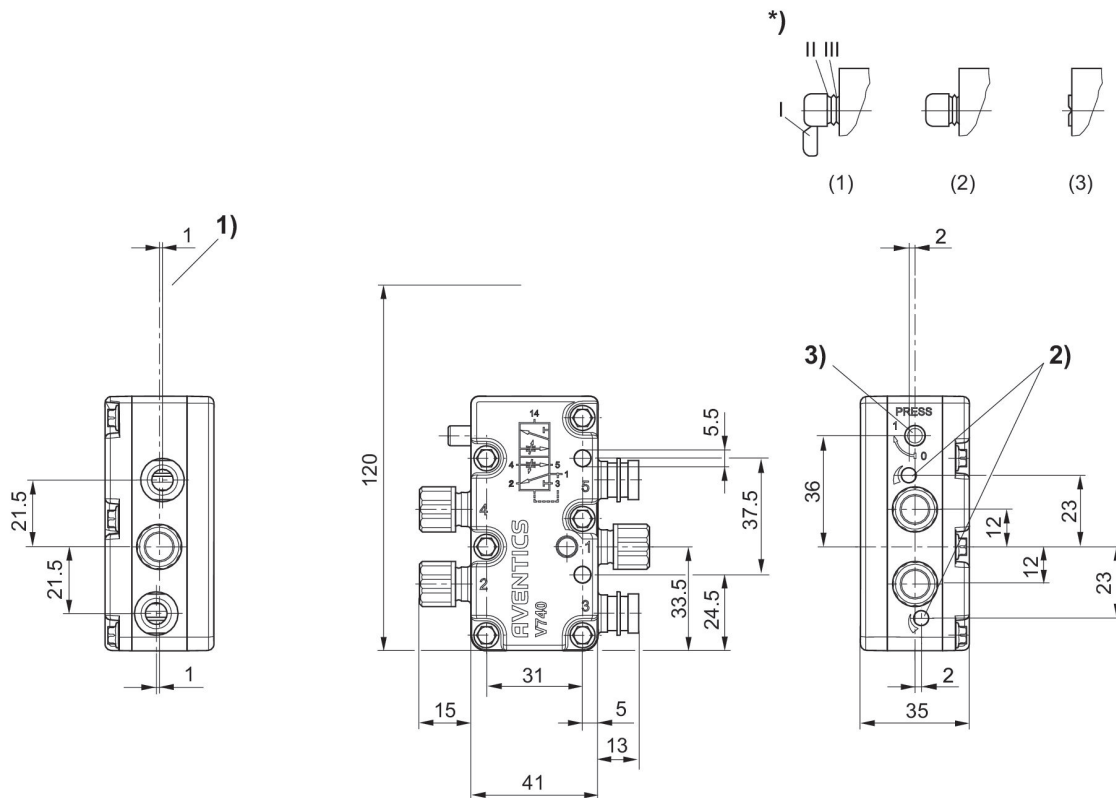
5/2-directional valve, Series 740, basic valve without coil, 950 l/min, single solenoid, -15 °C cold-resistant

Flow: 950 l/min
 Activation: Electrically
 Actuating control: Double Solenoid
 Compressed air connection input: Ø 10x1
 Type: Diaphragm poppet valve



Switching principle	Compressed air connection input	Compressed air connection output	Compressed air connection, exhaust	Pilot	Manual override	Part No.
5/2, with air spring return	Ø 10x1	Ø 10x1	M14x1	Internal	with detent, without detent	5727945302

Dimensions in mm



1) M5 internal thread accessible under cap

2) Throttle screw for exhausts 5 (R) and 3 (S) (S)

3) Manual override and position indicator

* Manual override: Manual actuation: (1) with detent - push and turn into position 1 (2) without detent - remove segment I - push only Actuation with tool: (3) with detent - remove segments up to II - push with tool and turn into position 1

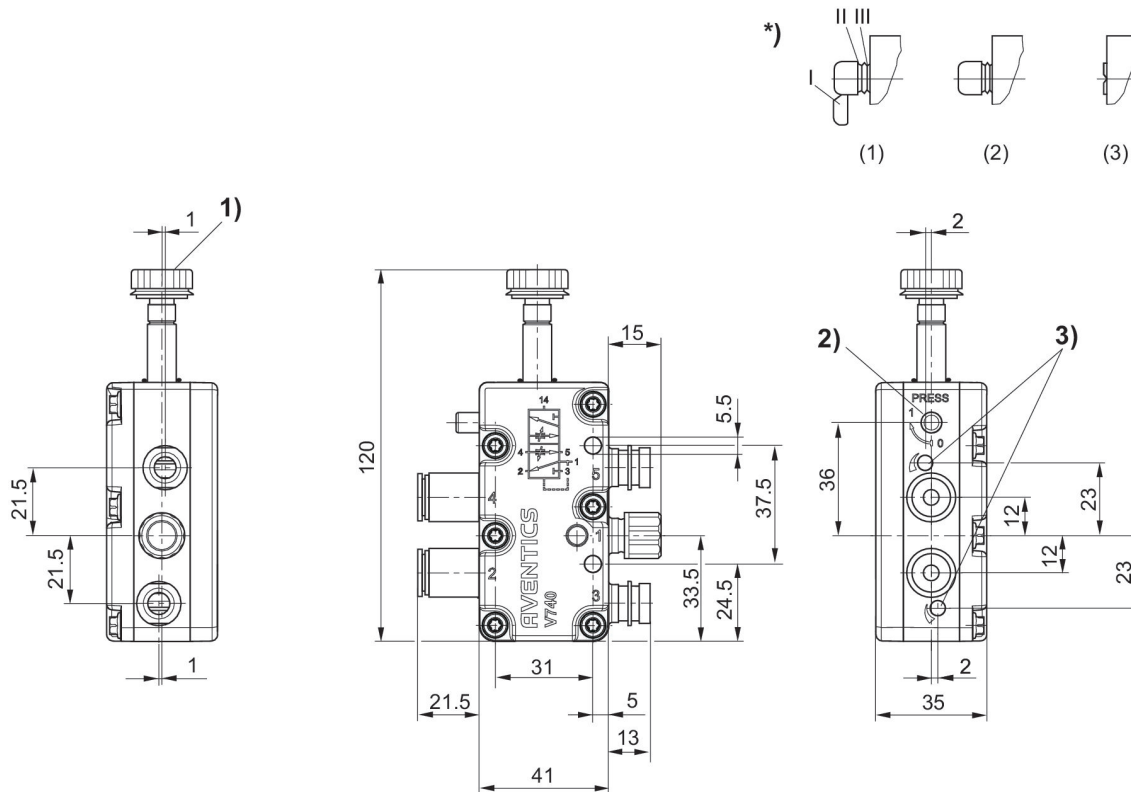
5/2-directional valve, Series 740, basic valve without coil, 1100 l/min, single solenoid, -15 °C cold-resistant

Flow: 1100 l/min
 Activation: Electrically
 Actuating control: Double Solenoid
 Compressed air connection input: Ø 10x1
 Type: Diaphragm poppet valve



Switching principle	Compressed air connection input	Compressed air connection output	Compressed air connection, exhaust	Pilot	Manual override	Part No.
5/2, with air spring return	Ø 10x1	Ø 10x1	M14x1	Internal	with detent	5727475302

Dimensions in mm



1) M5 internal thread accessible under cap

2) Manual override and position indicator

3) Throttle screw for exhausts 5 (R) and 3 (S) (S)

* Manual override: Manual actuation: (1) with detent - push and turn into position 1 (2) without detent - remove segment I - push only Actuation with tool: (3) with detent - remove segments up to II - push with tool and turn into position 1

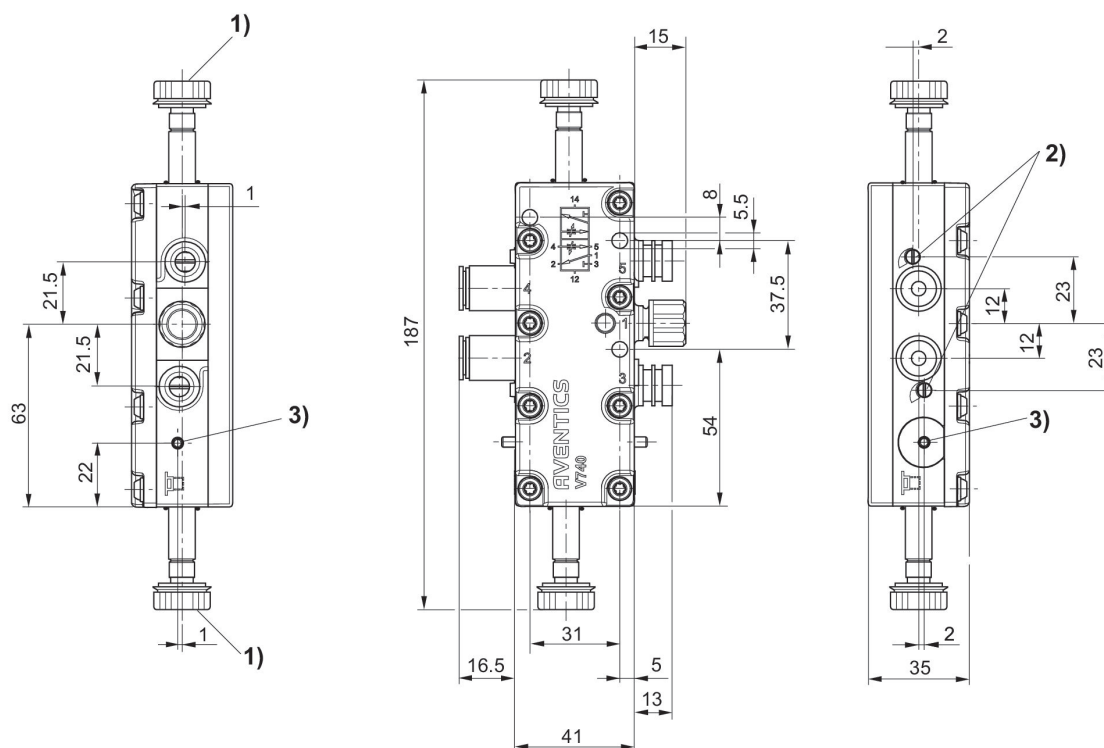
5/2-directional valve, Series 740, basic valve without coil, 1100 l/min, double solenoid, -15 °C cold-resistant

Flow: 1100 l/min
 Activation: Electrically
 Actuating control: Double Solenoid
 Compressed air connection input: Ø 10x1
 Type: Diaphragm poppet valve



Switching principle	Compressed air connection input	Compressed air connection output	Compressed air connection, exhaust	Pilot	Manual override	Part No.
5/2, double solenoid	Ø 10x1	Ø 10x1	M14x1	Internal	with detent	5727485302

Dimensions in mm



- 1) M5 internal thread accessible under cap
- 2) Throttle screw for exhausts 5 (R) and 3 (S) (S)
- 3) Manual override and position indicator

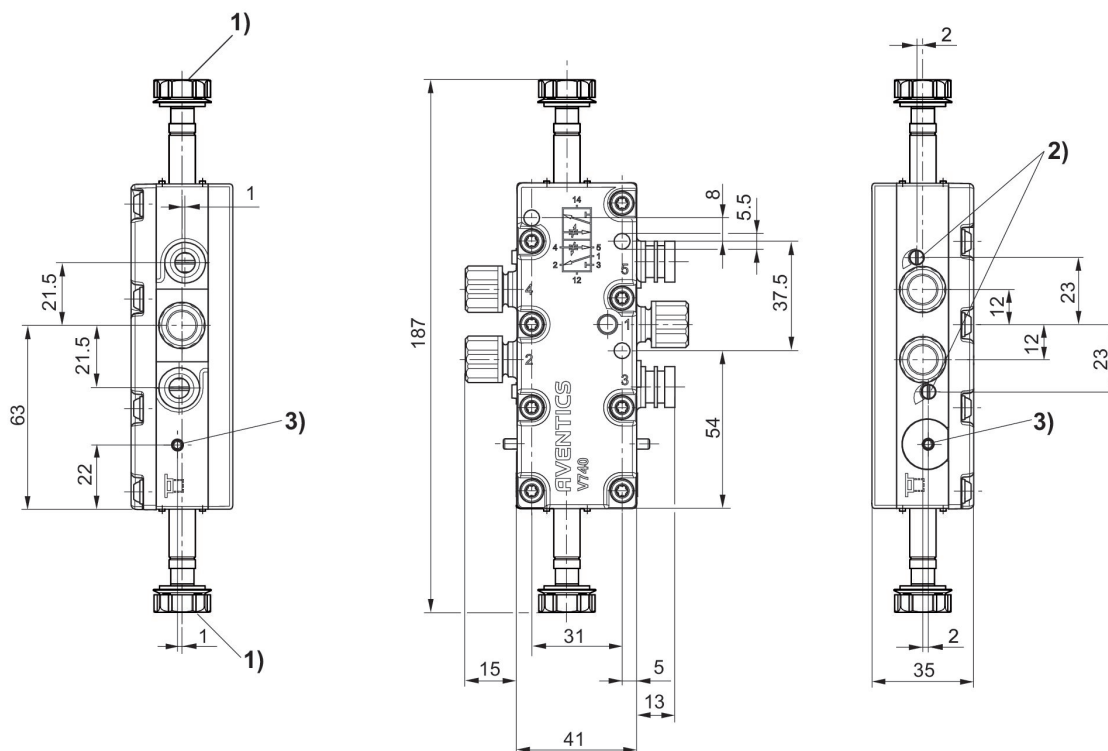
5/4-directional valve, Series 740, basic valve without coil, 950 l/min, double solenoid, -25 °C cold-resistant

Flow: 950 l/min
Activation: Electrically
Compressed air connection input: Ø 10x1
Type: Diaphragm poppet valve



Version	Switching principle	Compressed air connection input	Compressed air connection output	Compressed air connection, exhaust	Pilot	Manual override	Part No.
Pressurized Center	5/4, pressurized center	Ø 10x1	Ø 10x1	M14x1	Internal	without detent	5727565302

Dimensions in mm



- 1) M5 internal thread accessible under cap
- 2) Throttle screw for exhausts 5 (R) and 3 (S) (S)
- 3) Manual override and position indicator

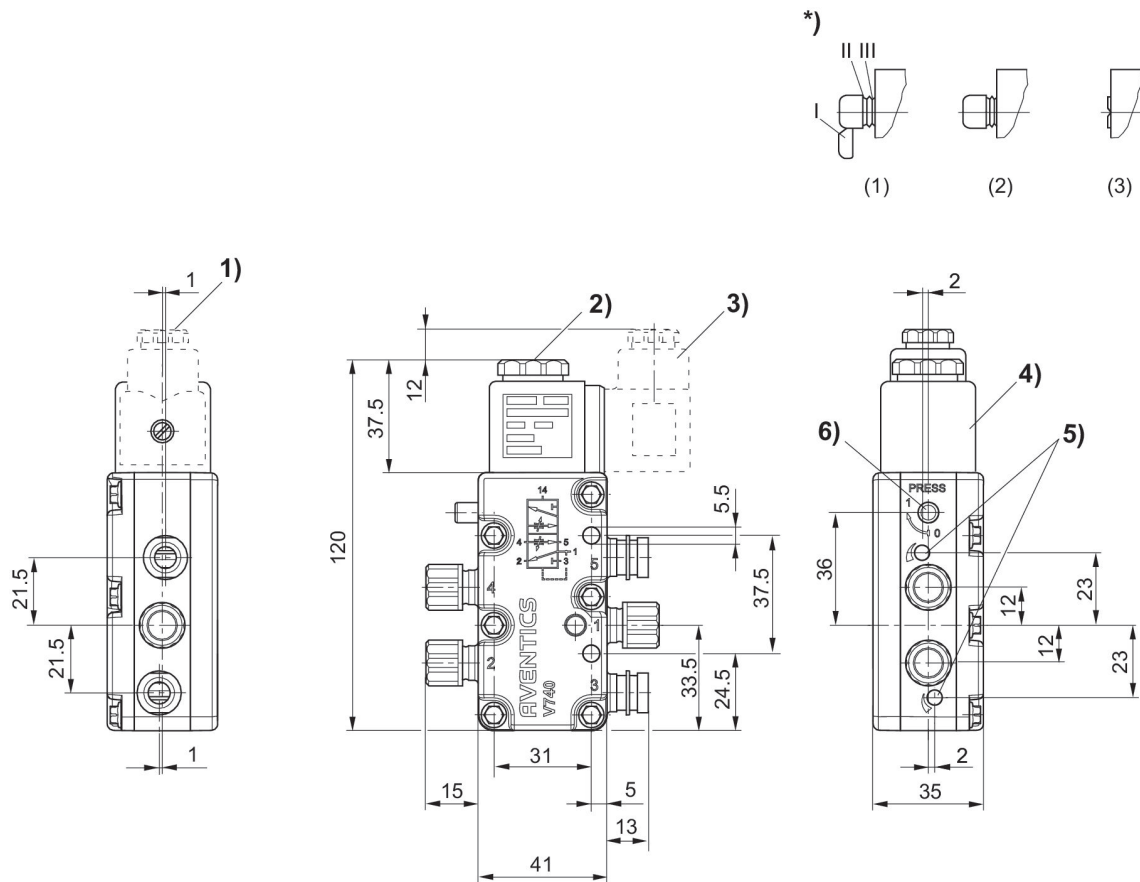
5/2-directional valve, Series 740, 700 l/min, single solenoid, UL certification

Activation: Electrically
 Actuating control: Double Solenoid
 Manual override: with detent without detent
 Electrical connection 2, type: Plug
 Electrical connection 2, thread size: EN 175301-803, form A
 Compressed air connection type: Internal thread plug-in with tube nut
 Certificates: UL (Underwriters Laboratories)
 Type: Diaphragm poppet valve



Switching principle	Compressed air connection input	Compressed air connection output	Compressed air connection, exhaust	Operational voltage DC	Operational voltage AC at 50 Hz	Operational voltage AC at 60 Hz	Voltage tolerance DC	Pilot	Manual override		Certificates	Part No.
5/2, with air spring return	3/8"	3/8"	M14x1	24 V DC			-10 % / +10 %	Internal	with detent, without detent	Without valve plug connector	UL (Underwriters Laboratories)	R432038437
5/2, with air spring return	3/8"	3/8"	M14x1	110 V AC	110 V	110 V		Internal	with detent, without detent	Without valve plug connector	UL (Underwriters Laboratories)	R432038419

Dimensions



- 1) Gland fitting M16x1.5
- 2) M5 internal thread accessible under cap
- 3) Valve plug connector can be rotated at 90° intervals (not included in scope of delivery)
- 4) Coil can be plugged at 45° intervals
- 5) Flow control screw for exhausts 5 (R) and 3 (S)
- 6) Manual override and position indicator

*) Manual override:

Manual actuation: (1) with detent - push and turn into position 1 (2) without detent - remove segment I - push only
Actuation with tool: (3) with detent - remove segments up to II - push with tool and turn into position 1

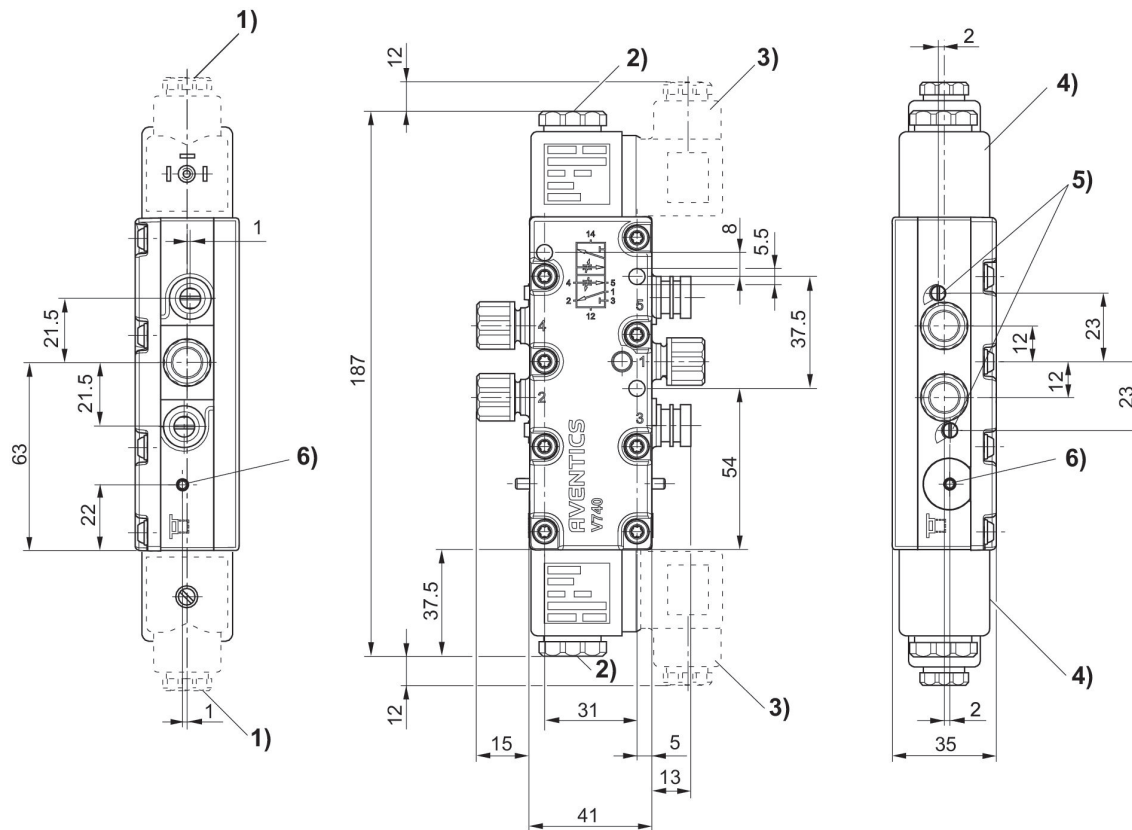
5/2-directional valve, Series 740, 700 l/min, double solenoid,UL certification

Activation: Electrically
 Actuating control: Double Solenoid
 Manual override: with detent without detent
 Electrical connection 2, type: Plug
 Electrical connection 2, thread size: EN 175301-803, form A
 Compressed air connection type: Internal thread plug-in with tube nut
 Certificates: UL (Underwriters Laboratories)
 Compressed air connection input: Ø 3/8
 Compressed air connection output: Ø 3/8
 Compressed air connection, exhaust: M14x1
 Type: Diaphragm poppet valve



Switching principle	Compressed air connection input	Compressed air connection output	Compressed air connection, exhaust	Operational voltage DC	Operational voltage AC at 50 Hz	Operational voltage AC at 60 Hz	Voltage tolerance DC	Pilot	Manual override		Certificates	Part No.
5/2, double solenoid	3/8"	3/8"	M14x1	24 V DC			-10 % / +10 %	Internal	with detent, without detent	Without valve plug connector	UL (Underwriters Laboratories)	R432038438
5/2, with air spring return	3/8"	3/8"	M14x1	110 V AC	110 V	110 V		Internal	with detent, without detent	Without valve plug connector	UL (Underwriters Laboratories)	R432038420

Dimensions



- 1) 1) Gland fitting M16x1.5
- 2) 2) M5 internal thread accessible under cap
- 3) 3) Valve plug connector can be rotated at 90° intervals
(not included in scope of delivery)
- 4) 4) Coil can be plugged at 45° intervals
- 5) 5) Flow control screw for exhausts 5 (R) and 3 (S)
- 6) 6) Manual override and position indicator

5/2-directional valve, Series 740, single solenoid

Activation: Electrically

Manual override: without detent with detent

Electrical connection 2, type: Plug

Electrical connection 2, thread size: EN 175301-803, form A

Compressed air connection type: Internal thread plug-in with tube nut

Temperature resistance: -25 °C cold-resistant

Compressed air connection, exhaust: M14x1

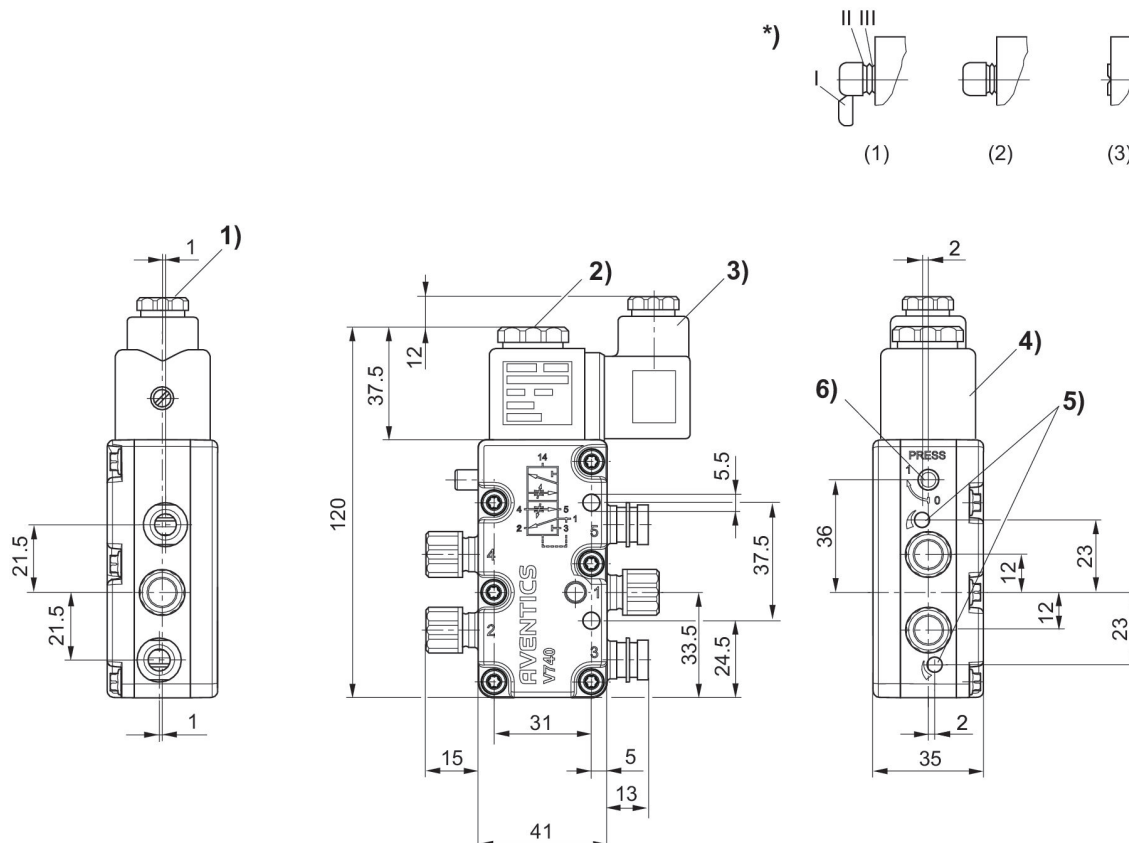
Type: Diaphragm poppet valve



Switching principle	Compressed air connection input	Compressed air connection output	Compressed air connection, exhaust	Operational voltage DC	Operational voltage AC at 50 Hz	Operational voltage AC at 60 Hz	Voltage tolerance DC	Pilot	Manual override		Certificates	Part No.
5/2, with air spring return	Ø 8x1	Ø 8x1	M14x1	24 V DC			-10 % / +10 %	Internal	without detent, with detent	With valve plug connector		5727400220
5/2, with air spring return	Ø 8x1	Ø 8x1	M14x1	24 V DC			-10 % / +10 %	Internal	without detent, with detent	Without valve plug connector		5727400420
5/2, with air spring return	Ø 8x1	Ø 8x1	M14x1	24 V DC			-10 % / +10 %	Internal	without detent, with detent	With valve plug connector	ATEX	5727420220
5/2, with air spring return	Ø 10x1	Ø 10x1	M14x1	24 V DC			-10 % / +10 %	Internal	without detent, with detent	With valve plug connector		5727450220
5/2, with air spring return	Ø 10x1	Ø 10x1	M14x1	24 V DC			-10 % / +10 %	Internal	without detent, with detent	Without valve plug connector		5727450420
5/2, with air spring return	Ø 8x1	Ø 8x1	M14x1	230 V AC	230 V	230 V		Internal	without detent, with detent	With valve plug connector		5727405280
5/2, with air spring return	Ø 8x1	Ø 8x1	M14x1	230 V AC	230 V	230 V		Internal	without detent, with detent	Without valve plug connector		5727405480
5/2, with air spring return	Ø 10x1	Ø 10x1	M14x1	230 V AC	230 V	230 V		Internal	without detent, with detent	With valve plug connector		5727455280
5/2, with air	Ø 10x1	Ø 10x1	M14x1	230 V AC	230 V	230 V		Internal	without detent,	Without valve plug		5727455480

Switching principle	Compressed air connection input	Compressed air connection output	Compressed air connection, exhaust	Operational voltage DC	Operational voltage AC at 50 Hz	Operational voltage AC at 60 Hz	Voltage tolerance DC	Pilot	Manual override		Certificates	Part No.
spring return									with detent	connector		

Dimensions



- 1) Gland fitting M16x1.5
- 2) M5 internal thread accessible under cap
- 3) Valve plug connector can be rotated at 90° intervals
- 4) Coil can be plugged at 45° intervals
- 5) Flow control screw for exhausts 5 (R) and 3 (S)
- 6) Manual override and position indicator

*) Manual override:

Manual actuation: (1) with detent - push and turn into position 1 (2) without detent - remove segment I - push only
 Actuation with tool: (3) with detent - remove segments up to II - push with tool and turn into position 1

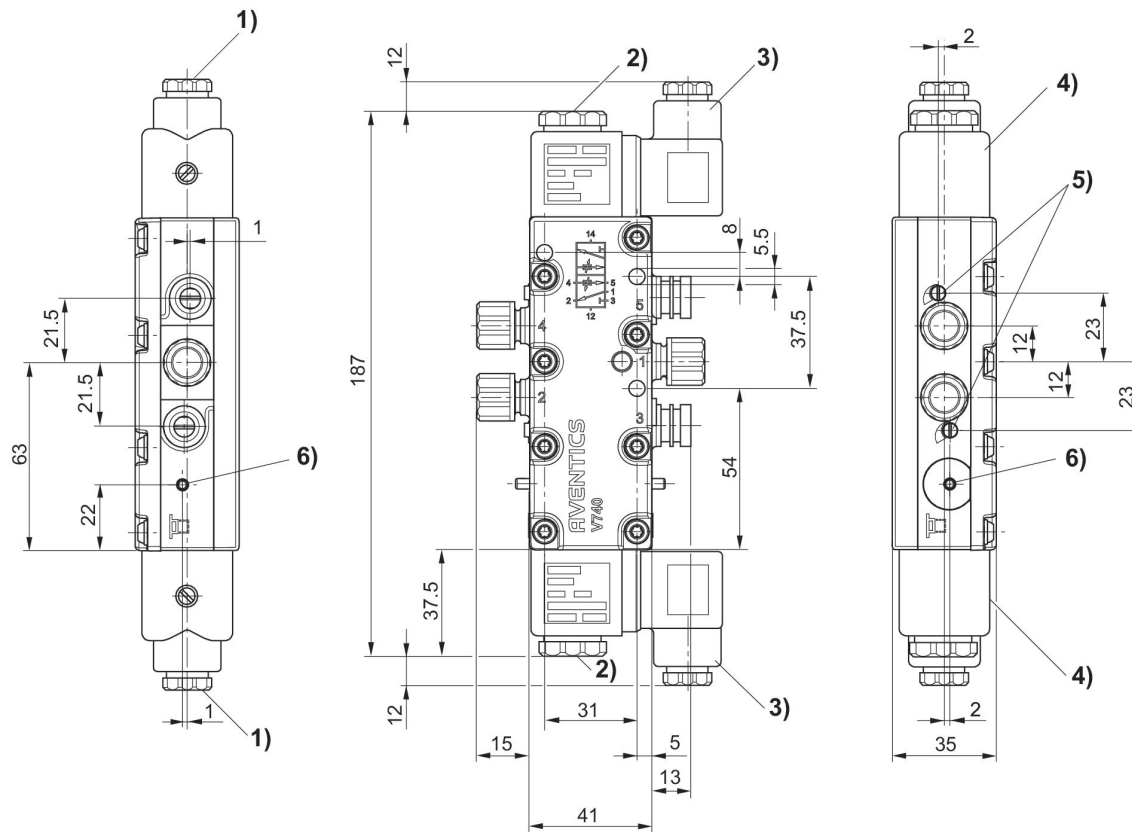
5/2-directional valve, Series 740, double solenoid

Activation: Electrically
 Actuating control: Double Solenoid
 Manual override: with detent
 Electrical connection 2, type: Plug
 Electrical connection 2, thread size: EN 175301-803, form A
 Compressed air connection type: Internal thread plug-in with tube nut
 Type: Diaphragm poppet valve



Switching principle	Compressed air connection input	Compressed air connection output	Compressed air connection, exhaust	Operational voltage DC	Operational voltage AC at 50 Hz	Operational voltage AC at 60 Hz	Voltage tolerance DC	Pilot	Manual override		Part No.
5/2, double solenoid	Ø 8x1	Ø 8x1	M14x1	24 V DC			-10 % / +10 %	Internal	with detent	With valve plug connector	5727410220
5/2, double solenoid	Ø 8x1	Ø 8x1	M14x1	24 V DC			-10 % / +10 %	Internal	with detent	Without valve plug connector	5727410420
5/2, double solenoid	Ø 10x1	Ø 10x1	M14x1	24 V DC			-10 % / +10 %	Internal	with detent	With valve plug connector	5727460220
5/2, double solenoid	Ø 10x1	Ø 10x1	M14x1	24 V DC			-10 % / +10 %	Internal	with detent	Without valve plug connector	5727460420
5/2, double solenoid	Ø 8x1	Ø 8x1	M14x1	230 V AC	230 V	230 V		Internal	with detent	With valve plug connector	5727415280
5/2, double solenoid	Ø 8x1	Ø 8x1	M14x1	24 V DC			-10 % / +10 %	Internal	with detent	With valve plug connector	5727440220
5/2, double solenoid	Ø 8x1	Ø 8x1	M14x1	230 V AC	230 V	230 V		Internal	with detent	Without valve plug connector	5727415480
5/2, double solenoid	Ø 10x1	Ø 10x1	M14x1	230 V AC	230 V	230 V		Internal	with detent	With valve plug connector	5727465280
5/2, double solenoid	Ø 10x1	Ø 10x1	M14x1	230 V AC	230 V	230 V		Internal	with detent	Without valve plug connector	5727465480

Dimensions



- 1) Gland fitting M16x1.5
- 2) M5 internal thread accessible under cap
- 3) Valve plug connector can be rotated at 90° intervals
- 4) Coil can be plugged at 45° intervals
- 5) Flow control screw for exhausts 5 (R) and 3 (S)
- 6) Manual override and position indicator

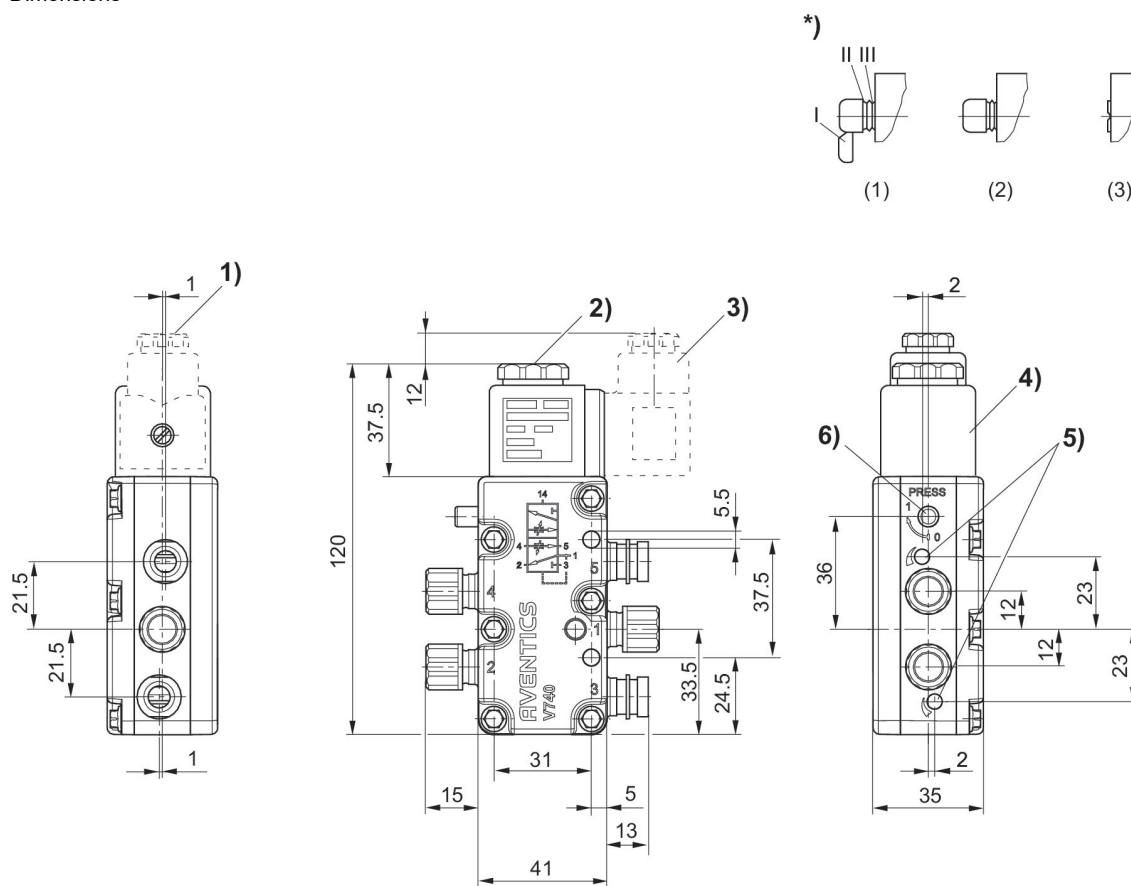
5/2-directional valve, Series 740, single solenoid, corrosion-resistant

Flow: 950 l/min
 Activation: Electrically
 Manual override: with detent without detent
 Electrical connection 2, type: Plug
 Electrical connection 2, thread size: EN 175301-803, form A
 Compressed air connection type: Internal thread plug-in with tube nut
 Temperature resistance: -25 °C cold-resistant
 Compressed air connection input: Ø 10x1
 Compressed air connection output: Ø 10x1
 Compressed air connection, exhaust: M14x1
 Type: Diaphragm poppet valve



Switching principle	Compressed air connection input	Compressed air connection output	Compressed air connection, exhaust	Operational voltage DC	Operational voltage AC at 50 Hz	Operational voltage AC at 60 Hz	Voltage tolerance DC	Pilot	Manual override		Part No.
5/2, with air spring return	Ø 10x1	Ø 10x1	M14x1	24 V DC			-10 % / +10 %	Internal	with detent, without detent	Without valve plug connector	5727940220
5/2, with air spring return	Ø 10x1	Ø 10x1	M14x1	230 V AC	230 V	230 V		Internal	with detent, without detent	Without valve plug connector	5727945280

Dimensions



1) Gland fitting M16x1.5

2) M5 internal thread accessible under cap

3) Valve plug connector can be rotated at 90° intervals

4) Coil can be plugged at 45° intervals

5) Flow control screw for exhausts 5 (R) and 3 (S)

6) Manual override and position indicator

*) Manual override:

Manual actuation: (1) with detent - push and turn into position 1 (2) without detent - remove segment I - push only

Actuation with tool: (3) with detent - remove segments up to II - push with tool and turn into position 1

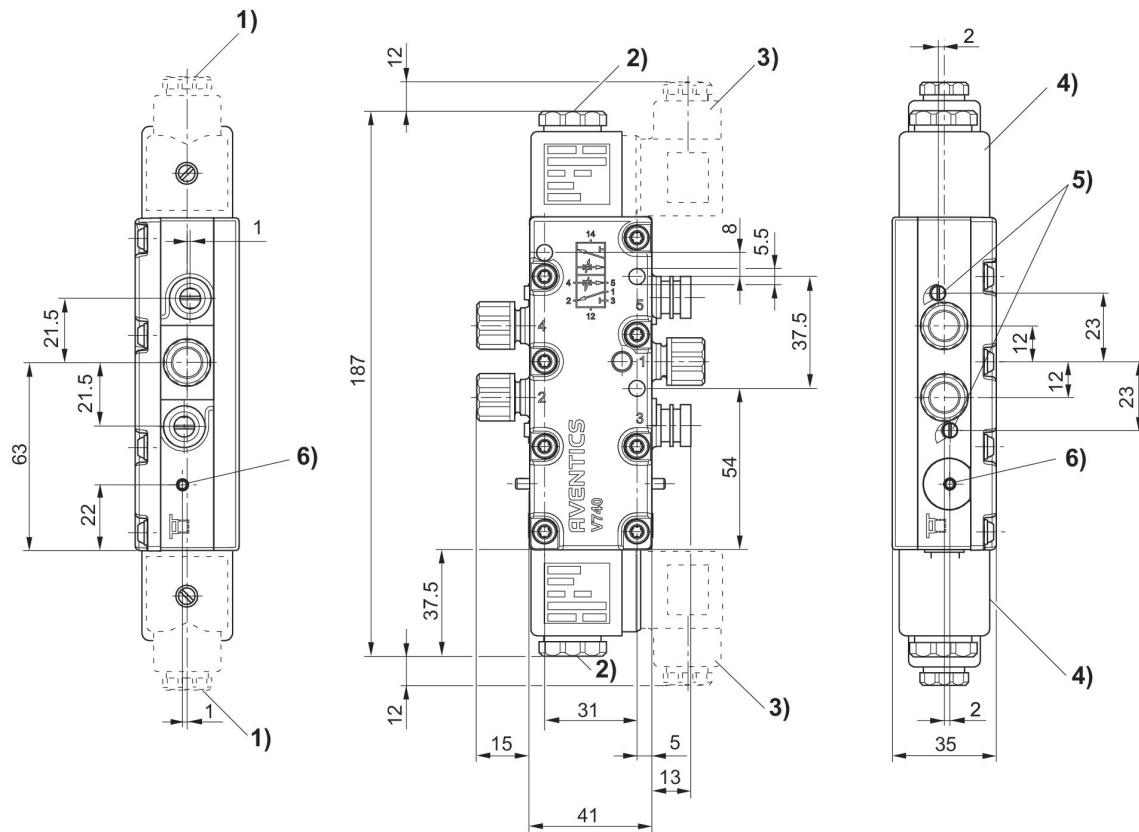
5/2-directional valve, Series 740, double solenoid, corrosion-resistant

Flow: 950 l/min
 Activation: Electrically
 Actuating control: Double Solenoid
 Manual override: with detent
 Electrical connection 2, type: Plug
 Electrical connection 2, thread size: EN 175301-803, form A
 Compressed air connection type: Internal thread plug-in with tube nut
 Compressed air connection input: Ø 10x1
 Compressed air connection output: Ø 10x1
 Type: Diaphragm poppet valve



Switching principle	Compressed air connection input	Compressed air connection output	Compressed air connection, exhaust	Operational voltage DC	Operational voltage AC at 50 Hz	Operational voltage AC at 60 Hz	Voltage tolerance DC	Pilot	Manual override		Part No.
5/2, double solenoid	Ø 10x1	Ø 10x1	M14x1	24 V DC			-10 % / +10 %	Internal	with detent	Without valve plug connector	5727920220
5/2, double solenoid	Ø 10x1	Ø 10x1	M14x1	230 V AC	230 V	230 V		Internal	with detent	Without valve plug connector	5727925280
5/2, double solenoid	Ø 10x1	Ø 10x1	M14x1					Internal	with detent		5727925302

Dimensions



- 1) Gland fitting M16x1.5
- 2) M5 internal thread accessible under cap
- 3) Valve plug connector can be rotated at 90° intervals
- 4) Coil can be plugged at 45° intervals
- 5) Flow control screw for exhausts 5 (R) and 3 (S)
- 6) Manual override and position indicator

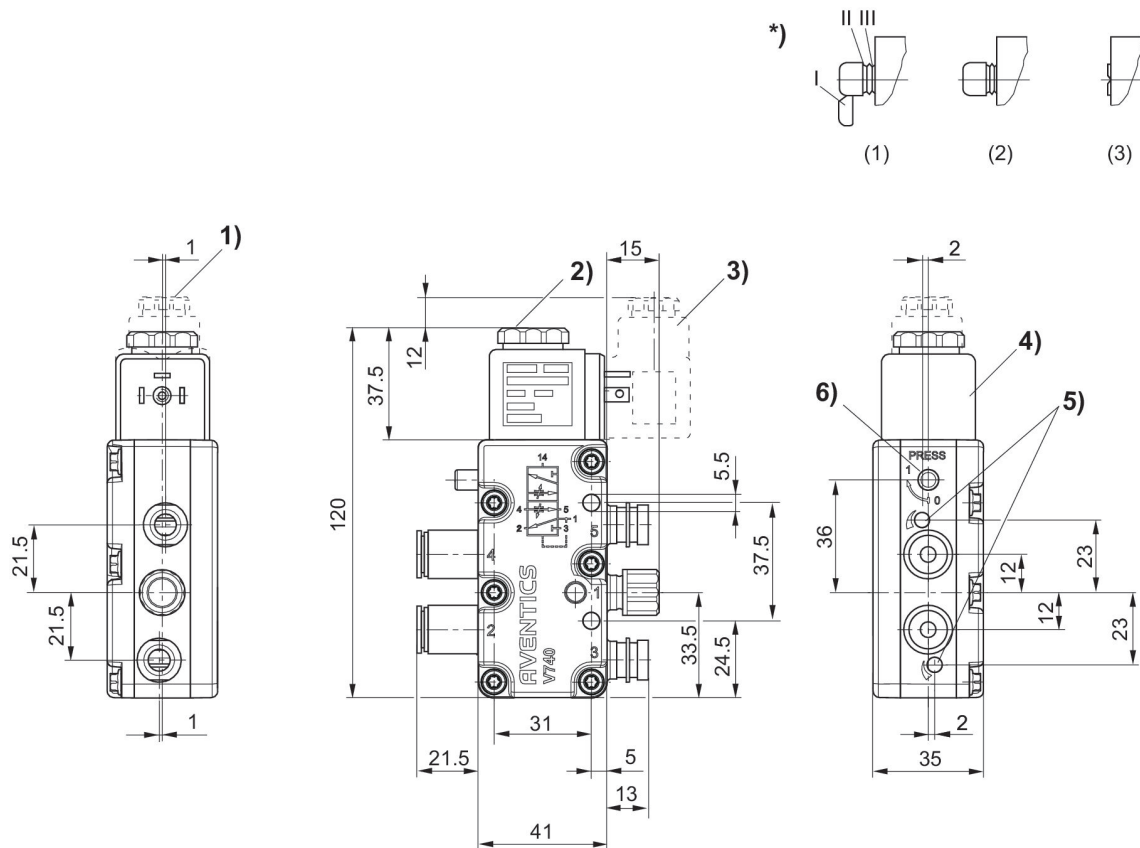
5/2-directional valve, Series 740, 1100 l/min, single solenoid

Flow: 1100 l/min
 Activation: Electrically
 Manual override: with detent
 Electrical connection 2, type: Plug
 Electrical connection 2, thread size: EN 175301-803, form A
 Compressed air connection type: Internal thread plug-in with tube nut
 Temperature resistance: -25 °C cold-resistant
 Compressed air connection input: Ø 10x1
 Compressed air connection output: Ø 10x1
 Type: Diaphragm poppet valve



Switching principle	Compressed air connection input	Compressed air connection output	Compressed air connection, exhaust	Operational voltage DC	Operational voltage AC at 50 Hz	Operational voltage AC at 60 Hz	Voltage tolerance DC	Pilot	Manual override		Part No.
5/2, with air spring return	Ø 10x1	Ø 10x1	M14x1	24 V DC			-10 % / +10 %	Internal	with detent	Without valve plug connector	5727470220
5/2, with air spring return	Ø 10x1	Ø 10x1	M14x1	230 V AC	230 V	230 V		Internal	with detent	Without valve plug connector	5727475280

Dimensions



- 1) Gland fitting M16x1.5
- 2) M5 internal thread accessible under cap
- 3) Valve plug connector can be rotated at 90° intervals
- 4) Coil can be plugged at 45° intervals
- 5) Flow control screw for exhausts 5 (R) and 3 (S)
- 6) Manual override and position indicator

*) Manual override:

Manual actuation: (1) with detent - push and turn into position 1 (2) without detent - remove segment I - push only
Actuation with tool: (3) with detent - remove segments up to II - push with tool and turn into position 1

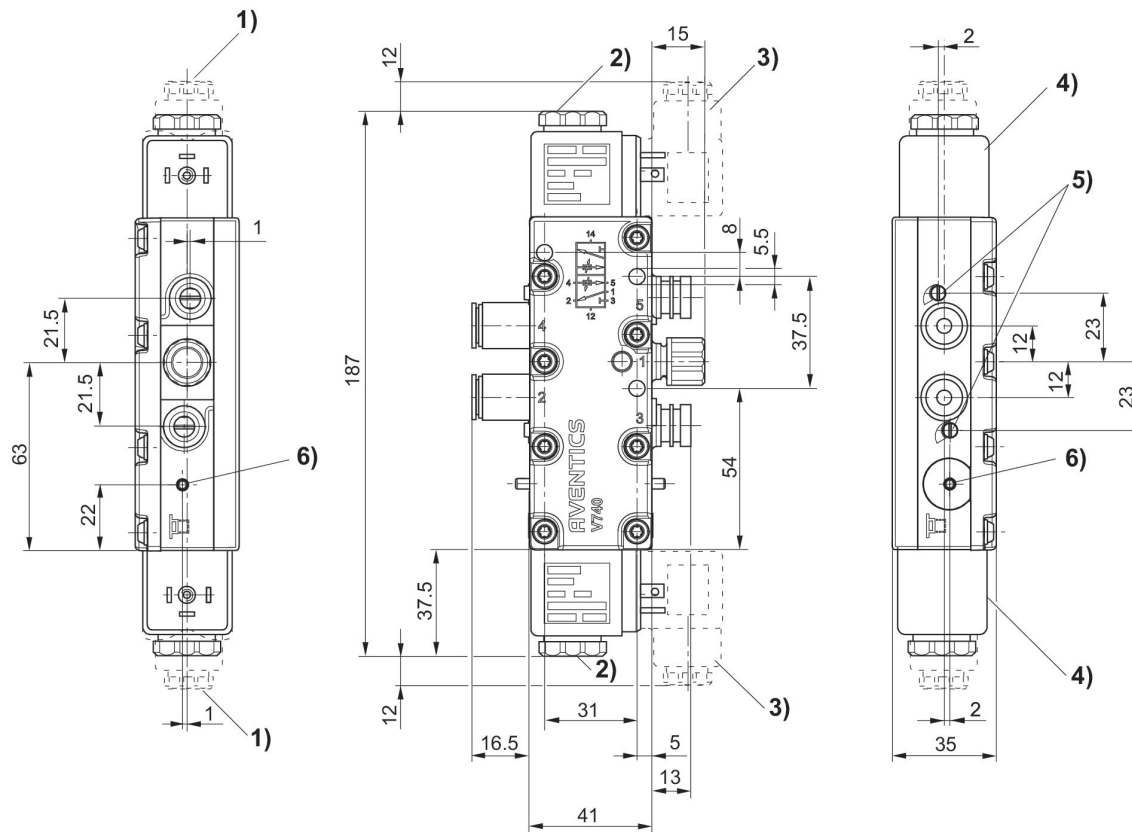
5/2-directional valve, Series 740, 1100 l/min, double solenoid

Flow: 1100 l/min
 Activation: Electrically
 Actuating control: Double Solenoid
 Manual override: with detent
 Electrical connection 2, type: Plug
 Electrical connection 2, thread size: EN 175301-803, form A
 Compressed air connection type: Internal thread plug-in with tube nut
 Compressed air connection input: Ø 10x1
 Compressed air connection output: Ø 10x1
 Type: Diaphragm poppet valve



Switching principle	Compressed air connection input	Compressed air connection output	Compressed air connection, exhaust	Operational voltage DC	Operational voltage AC at 50 Hz	Operational voltage AC at 60 Hz	Voltage tolerance DC	Pilot	Manual override		Part No.
5/2, double solenoid	Ø 10x1	Ø 10x1	M14x1	24 V DC			-10 % / +10 %	Internal	with detent	Without valve plug connector	5727480220
5/2, double solenoid	Ø 10x1	Ø 10x1	M14x1	230 V AC	230 V	230 V		Internal	with detent	Without valve plug connector	5727485280

Dimensions



- 1) Gland fitting M16x1.5
- 2) M5 internal thread accessible under cap
- 3) Valve plug connector can be rotated at 90° intervals
- 4) Coil can be plugged at 45° intervals
- 5) Flow control screw for exhausts 5 (R) and 3 (S)
- 6) Manual override and position indicator

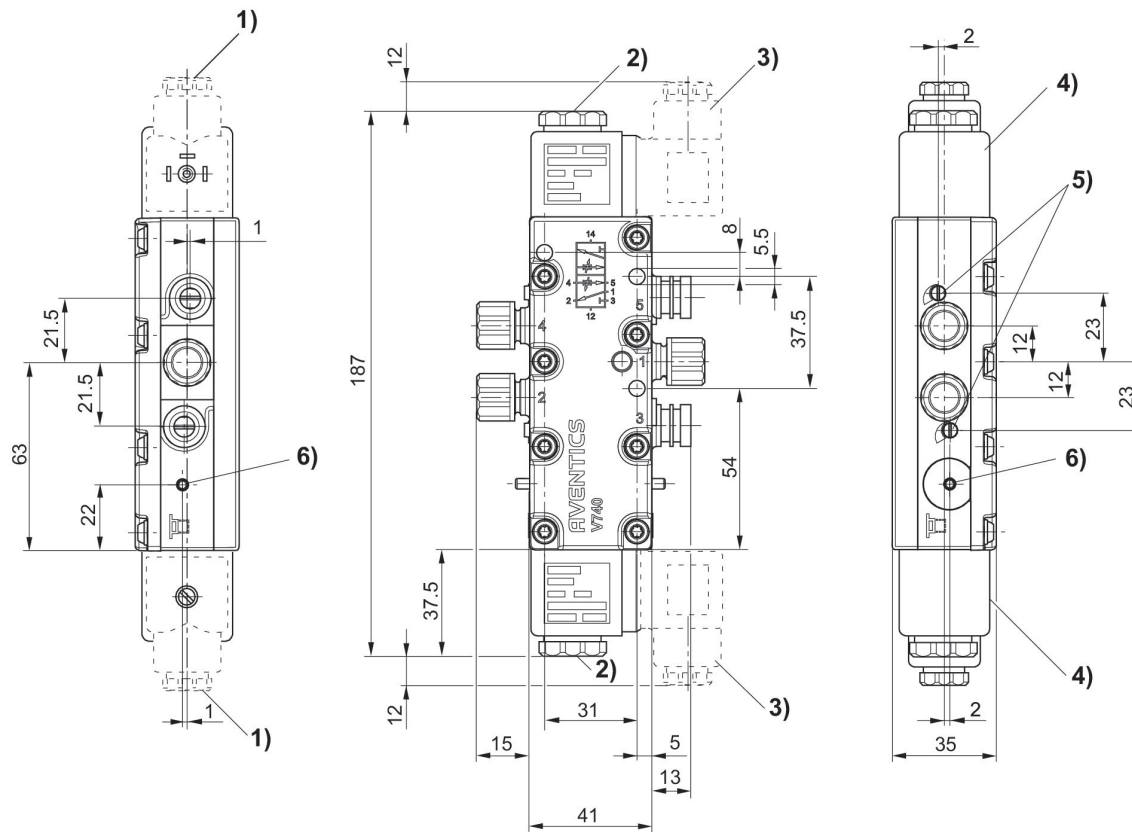
5/4-directional valve, Series 740, Closed Center, UL certification

Activation: Electrically
 Actuating control: Double Solenoid
 Manual override: with detent without detent
 Electrical connection 2, type: Plug
 Electrical connection 2, thread size: EN 175301-803, form A
 Compressed air connection type: Internal thread plug-in with tube nut
 Certificates: UL (Underwriters Laboratories)
 Valve function: Closed Center
 Type: Diaphragm poppet valve



Version	Switching principle	Compressed air connection input	Compressed air connection output	Compressed air connection, exhaust	Operational voltage DC	Operational voltage AC at 50 Hz	Operational voltage AC at 60 Hz	Voltage tolerance DC	Pilot	Manual override		Certificates	Part No.
Closed Center	5/4, closed center	3/8"	3/8"	M14x1	24 V DC			-10 % / +10 %	Internal	with detent, without detent	Without valve plug connector	UL (Underwriters Laboratories)	R432038439
Closed Center	5/4, closed center	3/8"	3/8"	M14x1	110 V AC	110 V	110 V		Internal	with detent, without detent	Without valve plug connector	UL (Underwriters Laboratories)	R432038421

Dimensions



- 1) Gland fitting M16x1.5
- 2) M5 internal thread accessible under cap
- 3) Valve plug connector can be rotated at 90° intervals (not included in scope of delivery)
- 4) Coil can be plugged at 45° intervals
- 5) Flow control screw for exhausts 5 (R) and 3 (S)
- 6) Manual override and position indicator

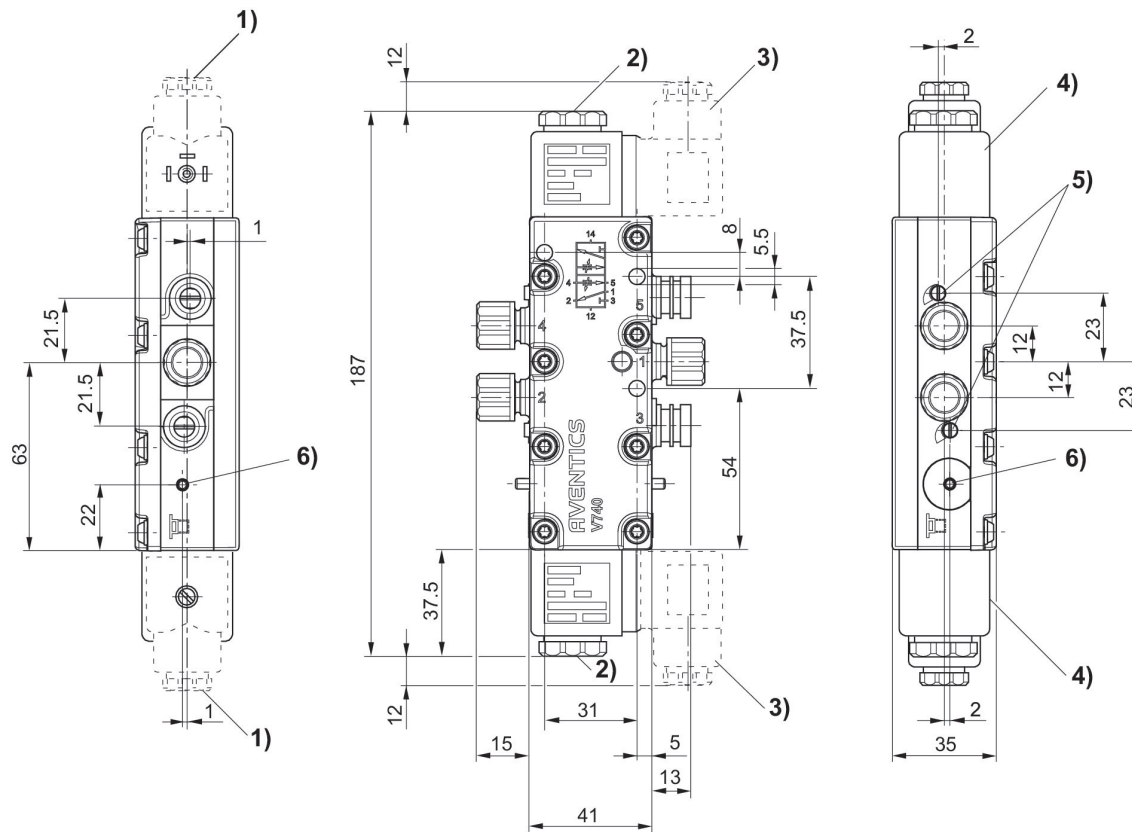
5/4-directional valve, Series 740, Exhausted Center, UL certification

Activation: Electrically
 Actuating control: Double Solenoid
 Manual override: with detent without detent
 Electrical connection 2, type: Plug
 Electrical connection 2, thread size: EN 175301-803, form A
 Compressed air connection type: Internal thread plug-in with tube nut
 Certificates: UL (Underwriters Laboratories)
 Type: Diaphragm poppet valve



Version	Switching principle	Compressed air connection input	Compressed air connection output	Compressed air connection, exhaust	Operational voltage DC	Operational voltage AC at 50 Hz	Operational voltage AC at 60 Hz	Voltage tolerance DC	Pilot	Manual override		Certificates	Part No.
Exhausted Center	5/4, exhausted center	3/8"	3/8"	M14x1	24 V DC			-10 % / +10 %	Internal	with detent, without detent	Without valve plug connector	UL (Underwriters Laboratories)	R432038440
Exhausted Center	5/4, exhausted center	3/8"	3/8"	M14x1	110 V AC	110 V	110 V		Internal	with detent, without detent	Without valve plug connector	UL (Underwriters Laboratories)	R432038422

Dimensions



- 1) Gland fitting M16x1.5
- 2) M5 internal thread accessible under cap
- 3) Valve plug connector can be rotated at 90° intervals
(not included in scope of delivery)
- 4) Coil can be plugged at 45° intervals
- 5) Flow control screw for exhausts 5 (R) and 3 (S)
- 6) Manual override and position indicator

5/4-directional valve, Series 740, double solenoid

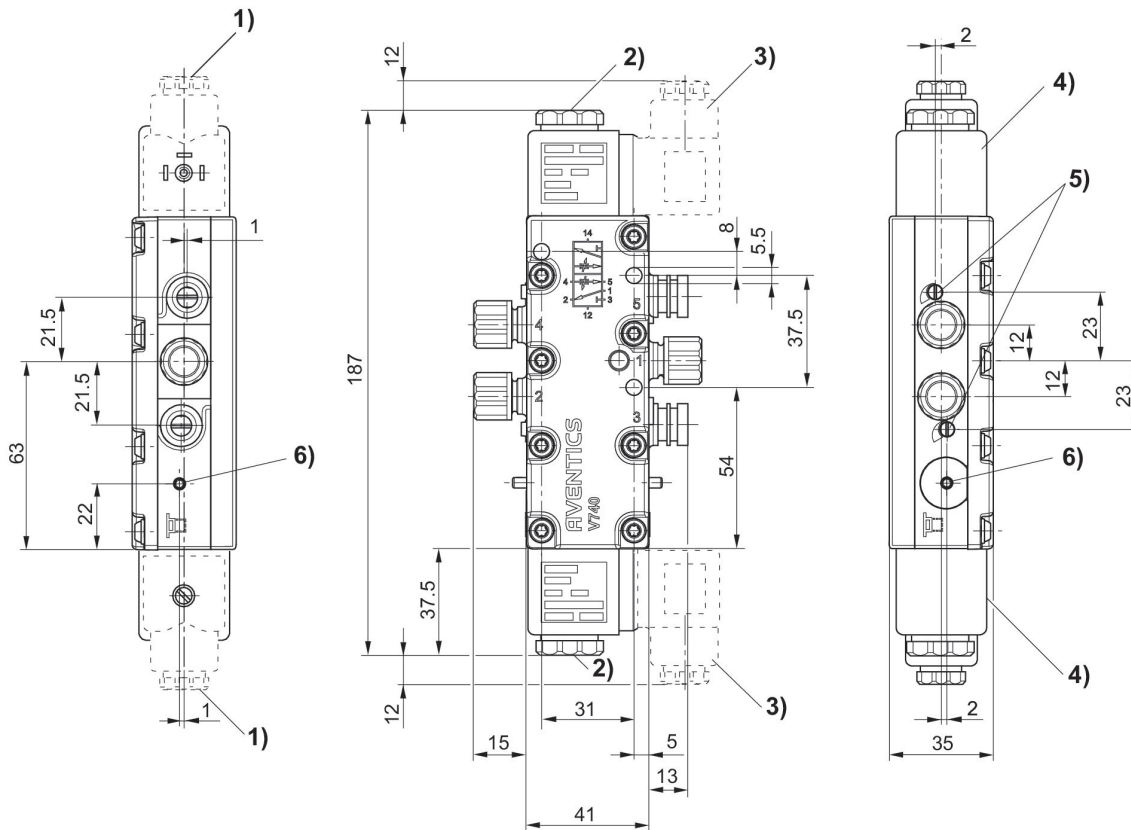
Activation: Electrically
 Manual override: without detent
 Electrical connection 2, type: Plug
 Electrical connection 2, thread size: EN 175301-803, form A
 Compressed air connection type: Internal thread plug-in with tube nut
 Type: Diaphragm poppet valve



Version	Switching principle	Compressed air connection input	Compressed air connection output	Compressed air connection, exhaust	Operational voltage DC	Operational voltage AC at 50 Hz	Operational voltage AC at 60 Hz	Voltage tolerance DC	Pilot	Manual override		Part No.
Closed Center	5/4, closed center	Ø 8x1	Ø 8x1	M14x1	24 V DC			-10 % / +10 %	Internal	without detent	With valve plug connector	5727500220
Closed Center	5/4, closed center	Ø 10x1	Ø 10x1	M14x1	24 V DC			-10 % / +10 %	Internal	without detent	With valve plug connector	5727550220
Closed Center	5/4, closed center	Ø 8x1	Ø 8x1	M14x1	230 V AC	230 V	230 V		Internal	without detent	With valve plug connector	5727505280
Closed Center	5/4, closed center	Ø 10x1	Ø 10x1	M14x1	230 V AC	230 V	230 V		Internal	without detent	With valve plug connector	5727555280
Closed Center	5/4, closed center	Ø 8x1	Ø 8x1	M14x1					Internal	without detent		5727505302
Closed Center	5/4, closed center	Ø 10x1	Ø 10x1	M14x1					Internal	without detent		5727555302
Pres-surized Center	5/4, pres-surized center	Ø 8x1	Ø 8x1	M14x1	24 V DC			-10 % / +10 %	Internal	without detent	With valve plug connector	5727510220
Pres-surized Center	5/4, pres-surized center	Ø 8x1	Ø 8x1	M14x1	230 V AC	230 V	230 V		Internal	without detent	With valve plug connector	5727515280
Pres-surized Center	5/4, pres-surized center	Ø 8x1	Ø 8x1	M14x1					Internal	without detent		5727515302

Version	Switching principle	Compressed air connection input	Compressed air connection output	Compressed air connection, exhaust	Operational voltage DC	Operational voltage AC at 50 Hz	Operational voltage AC at 60 Hz	Voltage tolerance DC	Pilot	Manual override		Part No.
Pres-surized Center	5/4, pres-surized center	Ø 10x1	Ø 10x1	M14x1	230 V AC	230 V	230 V		Internal	without detent	With valve plug connector	5727565280

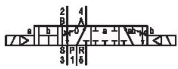
Dimensions



1) gland fitting M16x1,5 2) M5 internal thread accessible under cap 3) el. connector can be fixed at 90° intervals 4) coil can be mounted at 45° intervals 5) throttle screw for exhausts 5 (R) and 3 (S) 6) manual override and position indicator

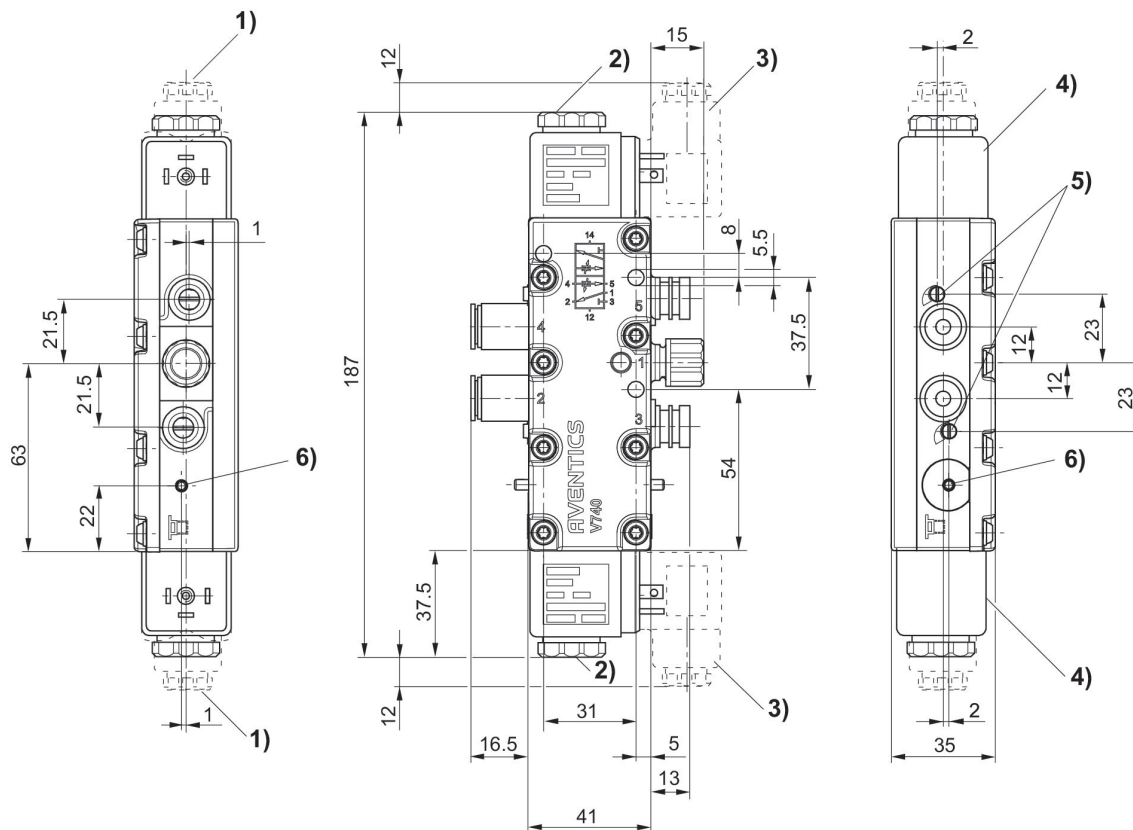
5/4-directional valve, Series 740, double solenoid

Activation: Electrically
 Manual override: without detent
 Electrical connection 2, type: Plug
 Electrical connection 2, thread size: EN 175301-803, form A
 Compressed air connection type: Internal thread plug-in with tube nut
 Type: Diaphragm poppet valve



Version	Switching principle	Compressed air connection input	Compressed air connection output	Compressed air connection, exhaust	Operational voltage DC	Voltage tolerance DC	Pilot	Manual override		Part No.
Pressurized Center	5/4, pressurized center	Ø 10x1	Ø 10x1	M14x1	24 V DC	-10 % / +10 %	Internal	without detent	Without valve plug connector	5727560920

Dimensions



- 1) Gland fitting M16x1.5
- 2) M5 internal thread accessible under cap
- 3) Valve plug connector can be rotated at 90° intervals
- 4) Coil can be plugged at 45° intervals
- 5) Flow control screw for exhausts 5 (R) and 3 (S)
- 6) Manual override and position indicator

5/2-directional valve, Series 740, single solenoid

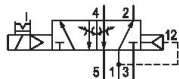
Activation: Electrically

Manual override: with detent without detent

Compressed air connection type: Internal thread

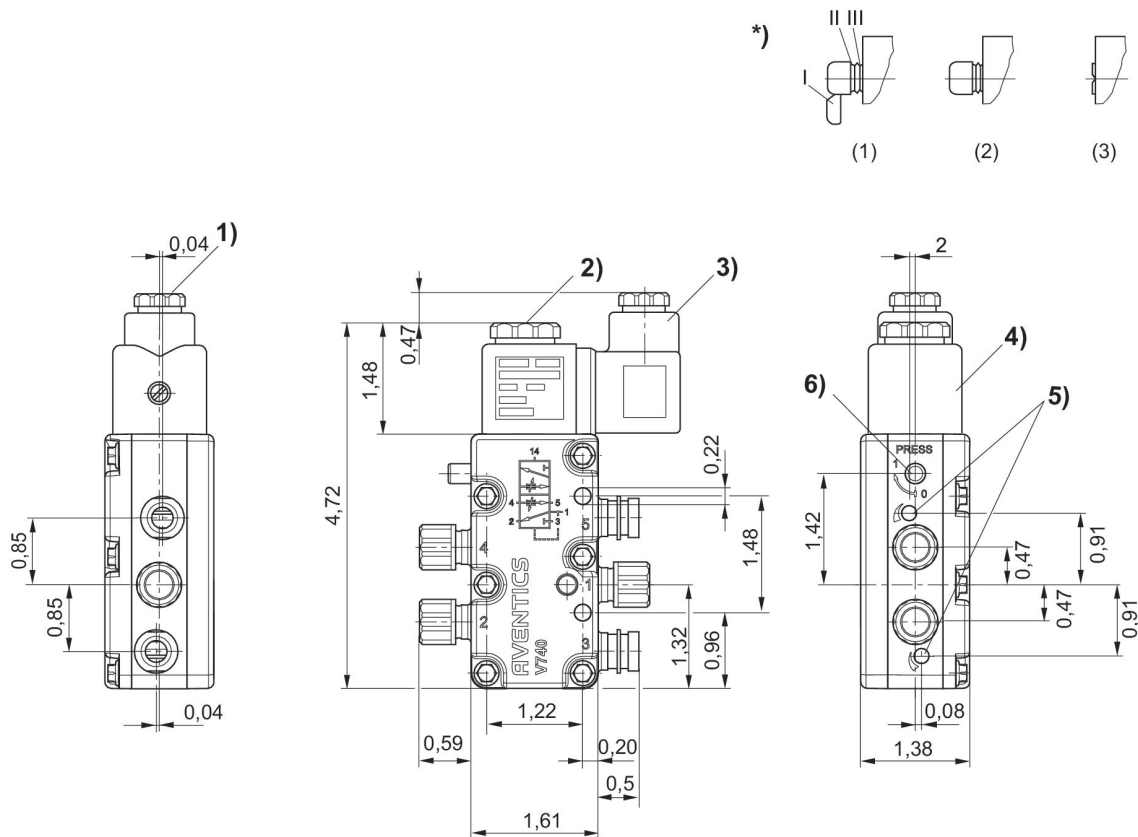
Compressed air connection, exhaust: M14x1

Type: Diaphragm poppet valve



Switching principle	Compressed air connection input	Compressed air connection output	Compressed air connection, exhaust	Operational voltage DC	Operational voltage AC at 50 Hz	Operational voltage AC at 60 Hz	Voltage tolerance DC	Manual override		Part No.
5/2, with air spring return	Ø 10	Ø 10	M14x1					with detent, without detent		R432015405
5/2, with air spring return	3/8"	3/8"	M14x1					with detent, without detent		R432002436
5/2, with air spring return	3/8"	3/8"	M14x1	6 V DC			-10 % / +10 %	with detent, without detent	Without valve plug connector	R432016656
5/2, with air spring return	3/8"	3/8"	M14x1	12 V DC			-10 % / +10 %	with detent, without detent	Without valve plug connector	R432016657
5/2, with air spring return	3/8"	3/8"	M14x1	24 V DC			-10 % / +10 %	with detent, without detent	With valve plug connector	R432008894
5/2, with air spring return	3/8"	3/8"	M14x1	24 V DC			-10 % / +10 %	with detent, without detent	Without valve plug connector	5727490220
5/2, with air spring return	3/8"	3/8"	M14x1	24 V AC	24 V	24 V		with detent, without detent	Without valve plug connector	R432016658
5/2, with air spring return	3/8"	3/8"	M14x1	110 V AC	110 V	110 V		with detent, without detent	Without valve plug connector	5727495270
5/2, with air spring return	3/8"	3/8"	M14x1	220 V AC	220 V	220 V		with detent, without detent	Without valve plug connector	R432016655
5/2, with air spring return	5/16" (Ø 8)	5/16" (Ø 8)	M14x1	24 V DC			-10 % / +10 %	with detent, without detent	Without valve plug connector	R432016649
5/2, with air spring return	5/16" (Ø 8)	5/16" (Ø 8)	M14x1	110 V AC	110 V	110 V		with detent, without detent	Without valve plug connector	R432016647
5/2, with air spring return	5/16" (Ø 8)	5/16" (Ø 8)	M14x1	24 V AC	24 V	24 V		with detent, without detent	Without valve plug connector	R432016650
5/2, with air spring return	5/16" (Ø 8)	5/16" (Ø 8)	M14x1	220 V AC	220 V	220 V		with detent, without detent	Without valve plug connector	R432016648

Dimensions in inches



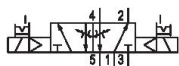
- 1) Gland fitting M16x1.5
- 2) M5 internal thread accessible under cap
- 3) Valve plug connector can be rotated at 90° intervals
- 4) Coil can be plugged at 45° intervals
- 5) Flow control screw for exhausts 5 (R) and 3 (S)
- 6) Manual override and position indicator

*) Manual override:

Manual actuation: (1) with detent - push and turn into position 1 (2) without detent - remove segment I - push only
Actuation with tool: (3) with detent - remove segments up to II - push with tool and turn into position 1

5/2-directional valve, Series 740, double solenoid

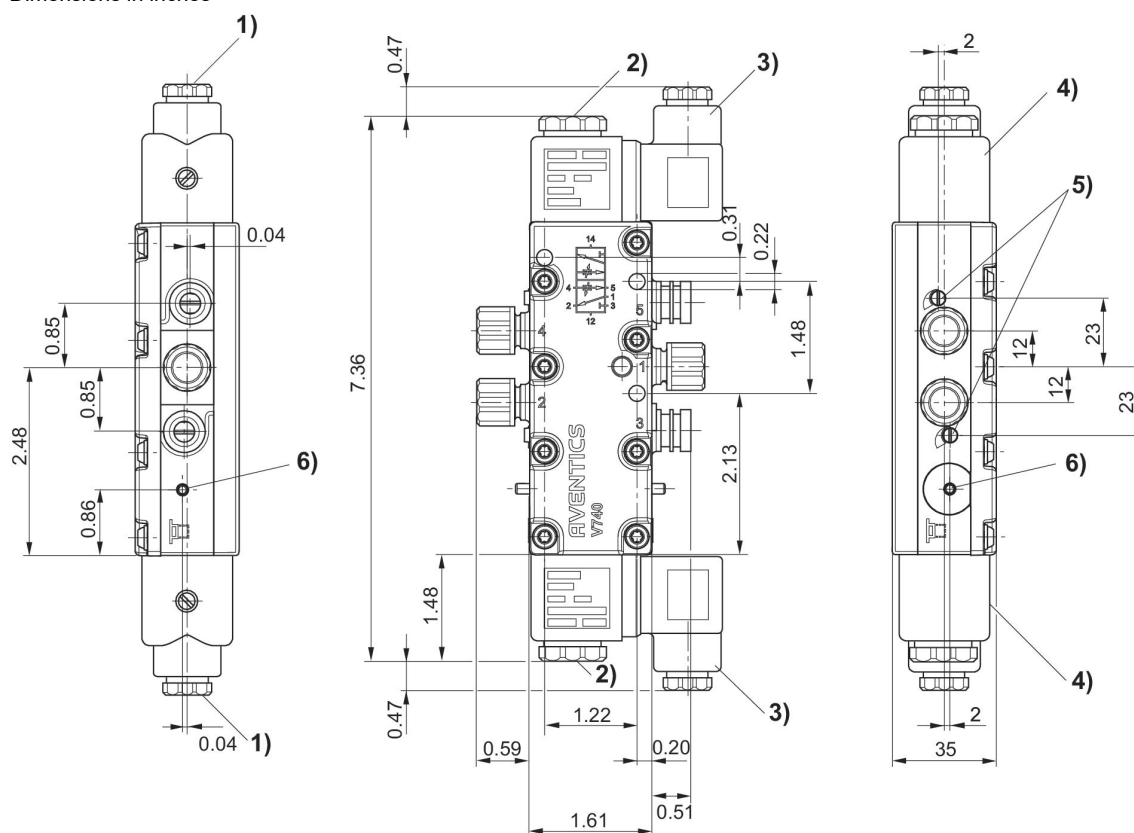
Activation: Electrically
 Actuating control: Double Solenoid
 Manual override: with detent
 Electrical connection 2, type: Plug
 Electrical connection 2, thread size: EN 175301-803, form A
 Compressed air connection type: Internal thread plug-in with tube nut
 Compressed air connection, exhaust: M14x1
 Type: Diaphragm poppet valve



Switching principle	Compressed air connection input	Compressed air connection output	Compressed air connection, exhaust	Operational voltage DC	Operational voltage AC at 50 Hz	Operational voltage AC at 60 Hz	Voltage tolerance DC	Pilot	Manual override		Part No.
5/2, double solenoid	3/8"	3/8"	M14x1					Internal	with detent		R432002437
5/2, double solenoid	Ø 10	Ø 10	M14x1					Internal	with detent		R432015410
5/2, double solenoid	3/8"	3/8"	M14x1	6 V DC			-10 % / +10 %	Internal	with detent	Without valve plug connector	R432016661
5/2, double solenoid	5/16" (Ø 8)	5/16" (Ø 8)	M14x1	12 V DC			-10 % / +10 %	Internal	with detent	Without valve plug connector	R432030385
5/2, double solenoid	3/8"	3/8"	M14x1	12 V DC			-10 % / +10 %	Internal	with detent	Without valve plug connector	R432016662
5/2, double solenoid	5/16" (Ø 8)	5/16" (Ø 8)	M14x1	24 V DC	24 V			Internal	with detent	Without valve plug connector	R432016654
5/2, double solenoid	3/8"	3/8"	M14x1	24 V DC	24 V			Internal	with detent	Without valve plug connector	R432016664
5/2, double solenoid	3/8"	3/8"	M14x1	24 V DC			-10 % / +10 %	Internal	with detent	Without valve plug connector	R432016663
5/2, double solenoid	5/16" (Ø 8)	5/16" (Ø 8)	M14x1	24 V DC			-10 % / +10 %	Internal	with detent	Without valve plug connector	R432016653
5/2, double solenoid	5/16" (Ø 8)	5/16" (Ø 8)	M14x1	110 V AC	110 V	110 V		Internal	with detent	Without valve plug connector	R432016651
5/2, double solenoid	3/8"	3/8"	M14x1	110 V AC	110 V	110 V		Internal	with detent	Without valve	R432016659

Switching principle	Compressed air connection input	Compressed air connection output	Compressed air connection, exhaust	Operational voltage DC	Operational voltage AC at 50 Hz	Operational voltage AC at 60 Hz	Voltage tolerance DC	Pilot	Manual override	plug connector	Part No.
5/2, double solenoid	5/16" (Ø 8)	5/16" (Ø 8)	M14x1	220 V AC	220 V	220 V		Internal	with detent	Without valve plug connector	R432016652
5/2, double solenoid	3/8"	3/8"	M14x1	220 V AC	220 V	220 V		Internal	with detent	Without valve plug connector	R432016660

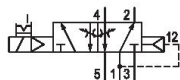
Dimensions in inches



- 1) Gland fitting M16x1.5
- 2) M5 internal thread accessible under cap
- 3) Valve plug connector can be rotated at 90° intervals
- 4) Coil can be plugged at 45° intervals
- 5) Flow control screw for exhausts 5 (R) and 3 (S)
- 6) Manual override and position indicator

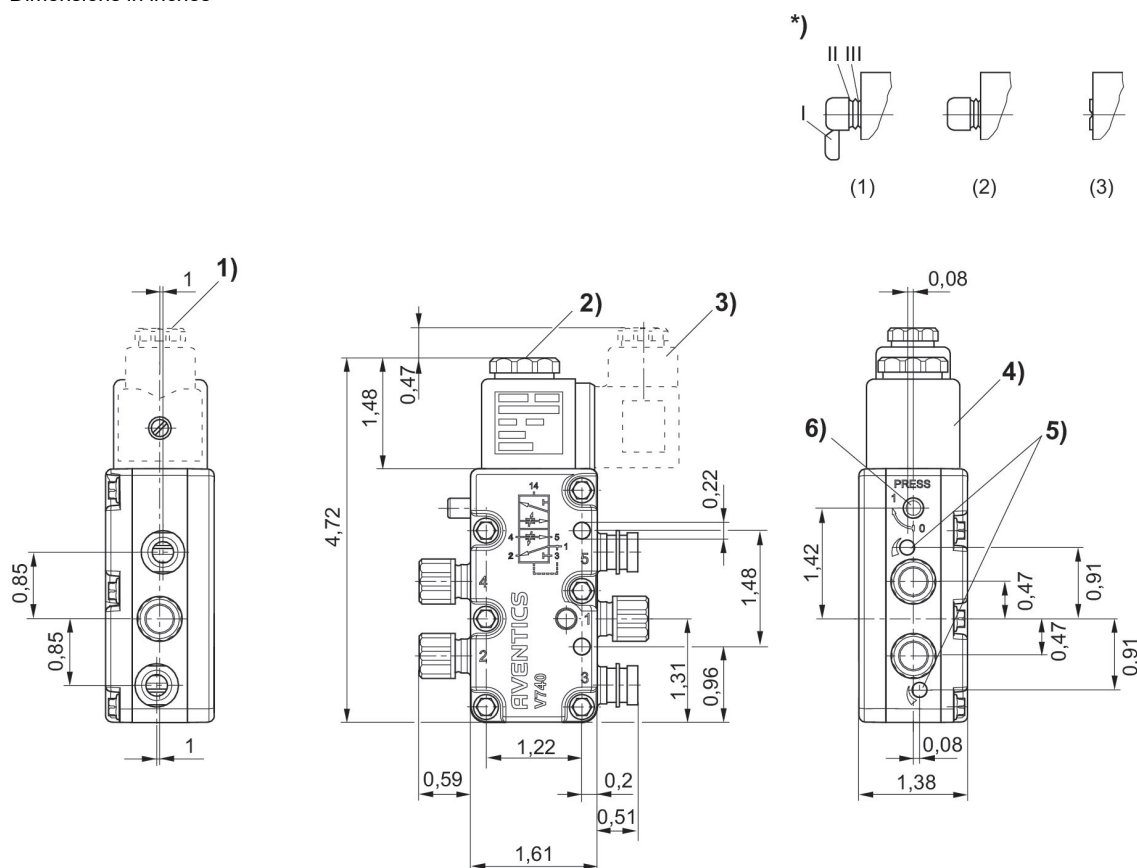
5/2-directional valve, Series 740, single solenoid, corrosion-resistant

Flow: 700 l/min
 Activation: Electrically
 Manual override: with detent without detent
 Electrical connection 2, type: Plug
 Electrical connection 2, thread size: EN 175301-803, form B
 Compressed air connection type: Internal thread plug-in with tube nut
 Electrical connection 2, number of poles: 3-pin
 Compressed air connection input: Ø 10x1
 Compressed air connection output: Ø 10x1
 Compressed air connection, exhaust: M14x1
 Type: Diaphragm poppet valve



Switching principle	Compressed air connection input	Compressed air connection output	Compressed air connection, exhaust	Operational voltage DC	Operational voltage AC at 50 Hz	Operational voltage AC at 60 Hz	Voltage tolerance DC	Pilot	Manual override		Part No.
5/2, with air spring return	3/8"	3/8"	M14x1	110 V AC	110 V	110 V		Internal	with detent, without detent	Without valve plug connector	R432015590
5/2, with air spring return	3/8"	3/8"	M14x1	110 V AC	110 V	110 V		Internal	with detent, without detent	Without valve plug connector	R432015613
5/2, with air spring return	3/8"	3/8"	M14x1	12 V DC			-10 % / +10 %	Internal	with detent, without detent	Without valve plug connector	R432015592
5/2, with air spring return	3/8"	3/8"	M14x1	12 V DC			-10 % / +10 %	Internal	with detent, without detent	Without valve plug connector	R432015614
5/2, with air spring return	3/8"	3/8"	M14x1	220 V AC	220 V	220 V		Internal	with detent, without detent	Without valve plug connector	R432015591
5/2, with air spring return	3/8"	3/8"	M14x1	24 V AC	24 V			Internal	with detent, without detent	Without valve plug connector	R432015594
5/2, with air spring return	3/8"	3/8"	M14x1	24 V AC	24 V			Internal	with detent, without detent	Without valve plug connector	R432015616
5/2, with air spring return	3/8"	3/8"	M14x1	24 V DC			-10 % / +10 %	Internal	with detent, without detent	Without valve plug connector	R432015593
5/2, with air spring return	3/8"	3/8"	M14x1	24 V DC			-10 % / +10 %	Internal	with detent, without detent	Without valve plug connector	R432015615

Dimensions in inches



- 1) Gland fitting M16x1.5
- 2) M5 internal thread accessible under cap
- 3) Valve plug connector can be rotated at 90° intervals
- 4) Coil can be plugged at 45° intervals
- 5) Flow control screw for exhausts 5 (R) and 3 (S)
- 6) Manual override and position indicator

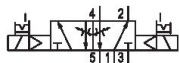
*) Manual override:

Manual actuation: (1) with detent - push and turn into position 1 (2) without detent - remove segment I - push only

Actuation with tool: (3) with detent - remove segments up to II - push with tool and turn into position 1

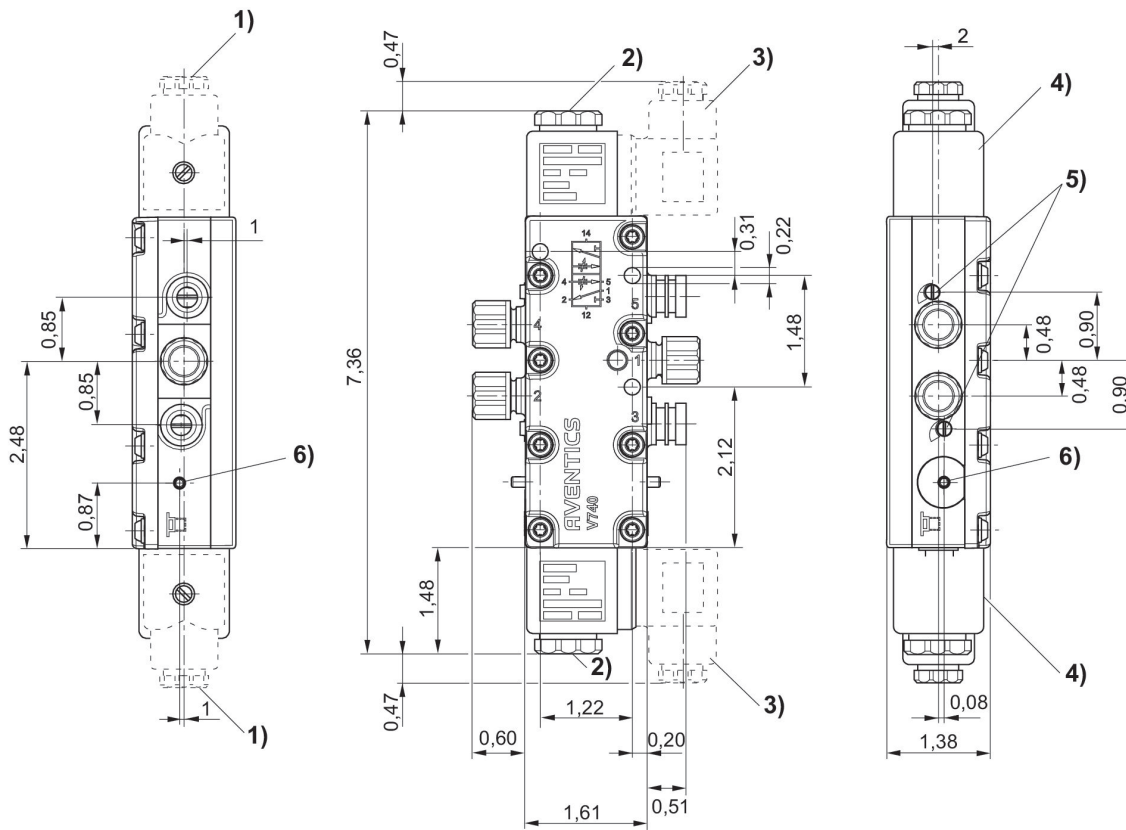
5/2-directional valve, Series 740, double solenoid, corrosion-resistant

Flow: 700 l/min
 Activation: Electrically
 Actuating control: Double Solenoid
 Manual override: with detent
 Electrical connection 2, type: Plug
 Electrical connection 2, thread size: EN 175301-803, form A
 Compressed air connection type: Internal thread plug-in with tube nut
 Compressed air connection input: Ø 10x1
 Compressed air connection output: Ø 10x1
 Compressed air connection, exhaust: M14x1
 Type: Diaphragm poppet valve



Switching principle	Compressed air connection input	Compressed air connection output	Compressed air connection, exhaust	Operational voltage DC	Operational voltage AC at 50 Hz	Operational voltage AC at 60 Hz	Pilot	Manual override		Part No.
5/2, double solenoid	3/8"	3/8"	M14x1	110 V AC	110 V	110 V	Internal	with detent	Without valve plug connector	R432015597
5/2, double solenoid	3/8"	3/8"	M14x1	110 V AC	110 V	110 V	Internal	with detent	Without valve plug connector	R432015617
5/2, double solenoid	3/8"	3/8"	M14x1	220 V AC	220 V	220 V	Internal	with detent	Without valve plug connector	R432015598
5/2, double solenoid	3/8"	3/8"	M14x1	220 V AC	220 V	220 V	Internal	with detent	Without valve plug connector	R432015618
5/2, double solenoid	3/8"	3/8"	M14x1	24 V DC			Internal	with detent	Without valve plug connector	R432015599
5/2, double solenoid	3/8"	3/8"	M14x1	24 V DC			Internal	with detent	Without valve plug connector	R432015619

Dimensions in inches



- 1) Gland fitting M16x1.5
- 2) M5 internal thread accessible under cap
- 3) Valve plug connector can be rotated at 90° intervals
- 4) Coil can be plugged at 45° intervals
- 5) Flow control screw for exhausts 5 (R) and 3 (S)
- 6) Manual override and position indicator

5/4-directional valve, Series 740, double solenoid

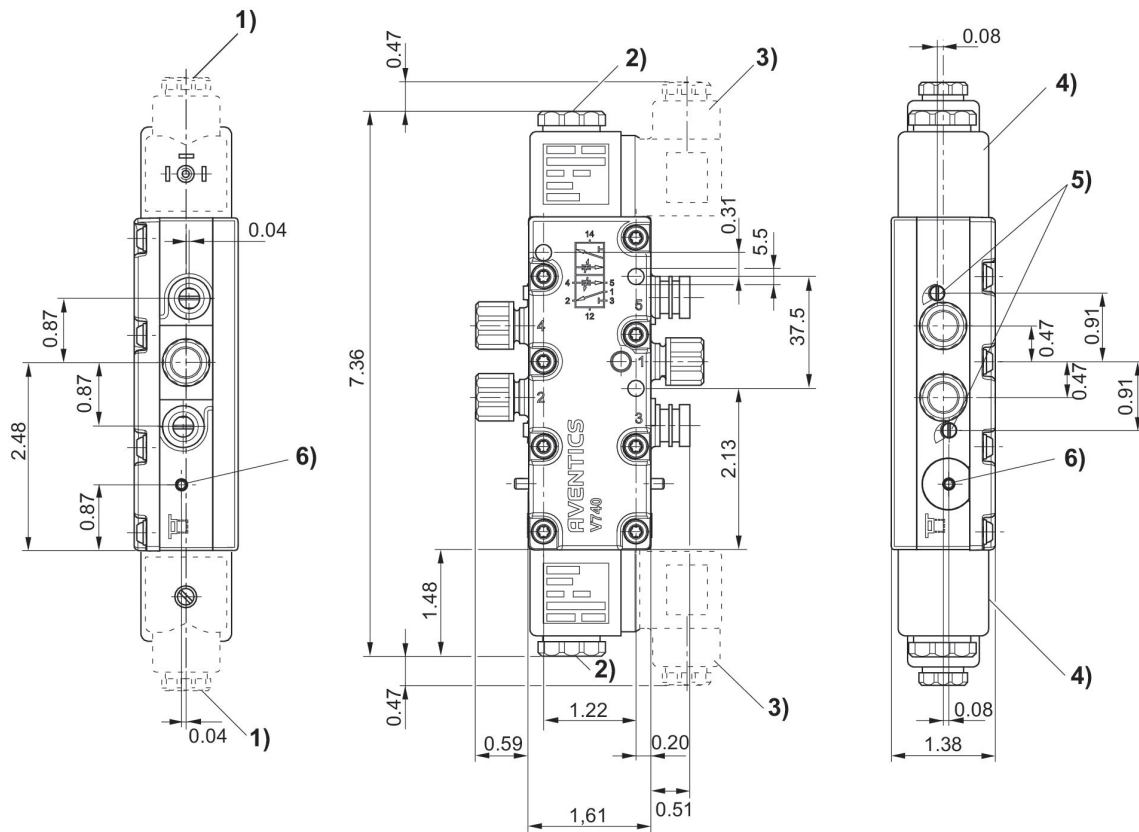
Flow: 700 l/min
 Activation: Electrically
 Manual override: without detent
 Electrical connection 2, type: Plug
 Electrical connection 2, thread size: EN 175301-803, form A
 Compressed air connection type: plug-in with tube nut
 Switching principle: 5/4, pressurized center
 Compressed air connection input: Ø 10x1
 Compressed air connection output: Ø 10x1
 Compressed air connection, exhaust: M14x1
 Type: Diaphragm poppet valve



Version	Switching principle	Compressed air connection input	Compressed air connection output	Compressed air connection, exhaust	Operational voltage DC	Operational voltage AC at 50 Hz	Operational voltage AC at 60 Hz	Voltage tolerance DC	Pilot	Manual override		Part No.
Closed Center	5/4, closed center	3/8"	3/8"	M14x1					Internal	without detent	Without valve plug connector	5727855302
Closed Center	5/4, closed center	3/8"	3/8"	M14x1					Internal	without detent	Without valve plug connector	R432002438
Closed Center	5/4, closed center	3/8"	3/8"	M14x1	110 V AC	110 V	110 V		Internal	without detent	Without valve plug connector	R432016670
Closed Center	5/4, closed center	3/8"	3/8"	M14x1	220 V AC	220 V	220 V		Internal	without detent	Without valve plug connector	R432016671
Closed Center	5/4, closed center	3/8"	3/8"	M14x1	6 V DC			-10 % / +10 %	Internal	without detent	Without valve plug connector	R432016672
Closed Center	5/4, closed center	3/8"	3/8"	M14x1	24 V DC			-10 % / +10 %	Internal	without detent	Without valve plug connector	R432016674
Closed Center	5/4, closed center	3/8"	3/8"	M14x1	24 V DC	24 V	24 V		Internal	without detent	Without valve plug connector	R432016675
Exhausted Center	5/4, exhausted center	3/8"	3/8"	M14x1	110 V AC	110 V	110 V		Internal	without detent	Without valve plug connector	R432016665
Exhausted Center	5/4, exhausted center	3/8"	3/8"	M14x1	12 V DC			-10 % / +10 %	Internal	without detent	Without valve plug	R432016667

Version	Switching principle	Compressed air connection input	Compressed air connection output	Compressed air connection, exhaust	Operational voltage DC	Operational voltage AC at 50 Hz	Operational voltage AC at 60 Hz	Voltage tolerance DC	Pilot	Manual override		Part No.
											connector	
Exhausted Center	5/4, exhausted center	3/8"	3/8"	M14x1	220 V AC	220 V	220 V		Internal	without detent	Without valve plug connector	R432016666
Exhausted Center	5/4, exhausted center	3/8"	3/8"	M14x1	24 V AC	24 V	24 V		Internal	without detent	Without valve plug connector	R432016669
Exhausted Center	5/4, exhausted center	3/8"	3/8"	M14x1	24 V DC			-10 % / +10 %	Internal	without detent	Without valve plug connector	R432016668
Exhausted Center	5/4, exhausted center	3/8"	3/8"	M14x1					Internal	without detent	Without valve plug connector	R432002439
Closed Center	5/4, closed center	3/8"	3/8"	M14x1	12 V DC			-10 % / +10 %	Internal	without detent	Without valve plug connector	R432016673

Dimensions in inches



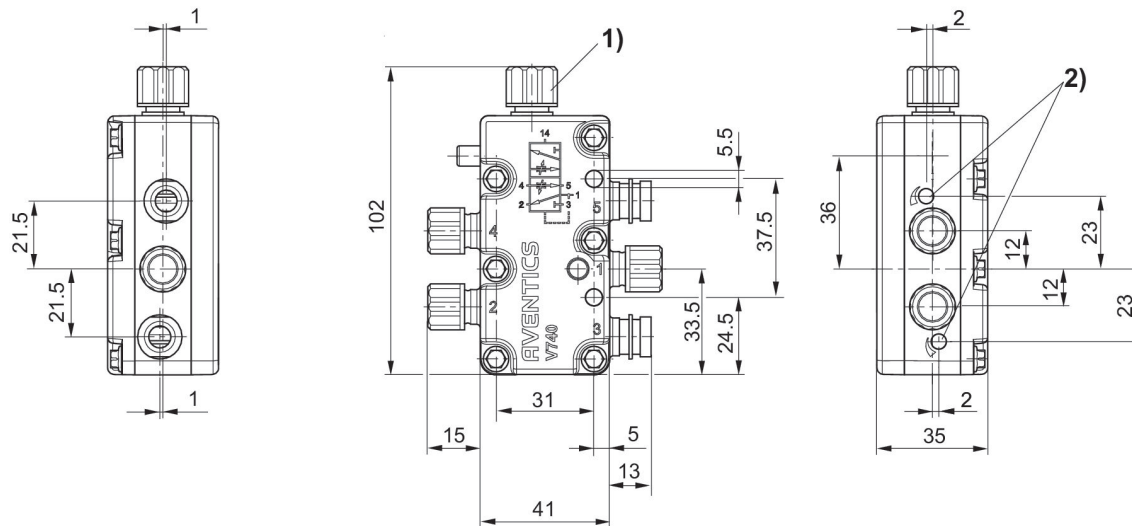
1) gland fitting M16x1,5 2) M5 internal thread accessible under cap 3) el. connector can be fixed at 90° intervals 4) coil can be mounted at 45° intervals 5) throttle screw for exhausts (R) and (S) 6) manual override and position indicator

5/2-directional valve, Series 740, single solenoid

Activation: Pneumatically
 Manual override: without
 Compressed air connection type: Internal thread plug-in with tube nut
 Type: Diaphragm poppet valve

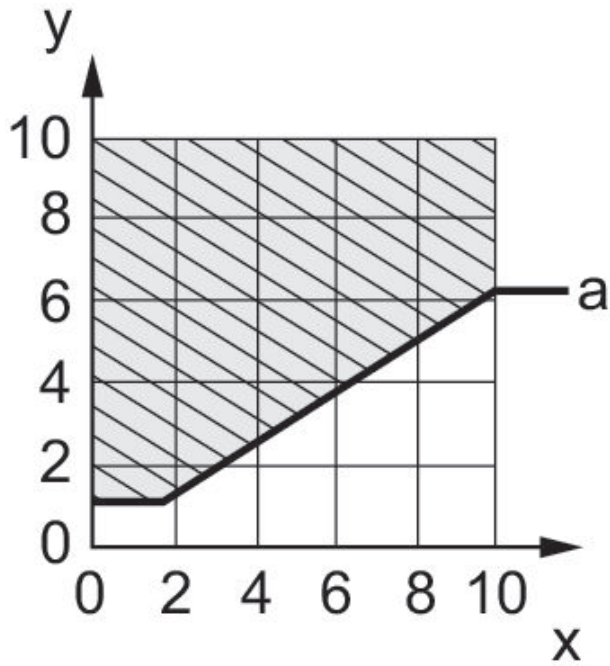


Compressed air connection input	Compressed air connection output	Compressed air connection, exhaust	Pilot	Manual override	Part No.
Ø 8x1	Ø 8x1	M14x1	Internal	without	5717400000
Ø 10x1	Ø 10x1	M14x1	Internal	without	5717450000



1) for pipe Ø 8 x 1 2) flow control screw for exhausts 5 (R) and 3 (S)

Pilot pressure range



x: Working pressure ([0 bar]... [10 bar]) y: Pilot pressure ([1 bar] ...[6 bar]) a: Min. pilot pressure at port 14 (Z) depending on working pressure

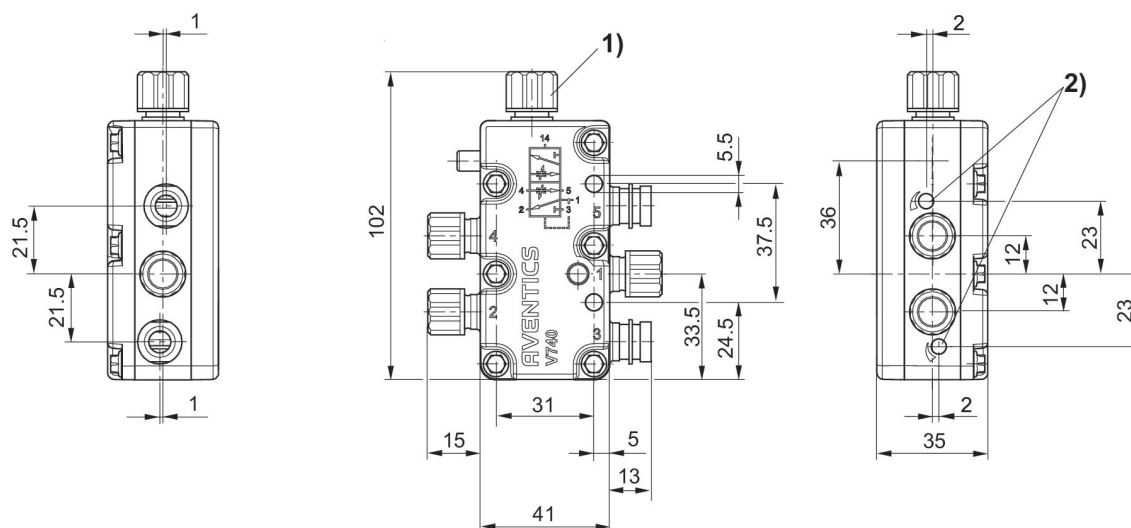
5/2-directional valve, Series 740, single solenoid, corrosion-resistant

Flow: 950 l/min
 Activation: Pneumatically
 Manual override: without
 Compressed air connection type: Internal thread plug-in with tube nut
 Compressed air connection input: Ø 10x1
 Compressed air connection output: Ø 10x1
 Type: Diaphragm poppet valve



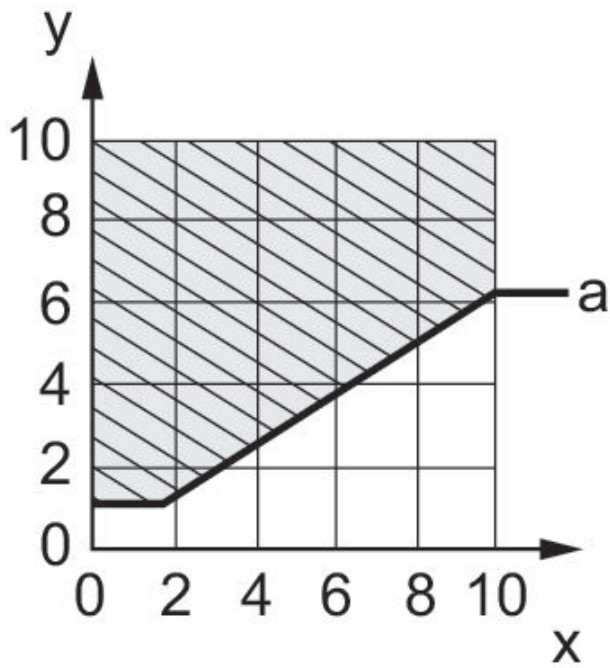
Compressed air connection input	Compressed air connection output	Compressed air connection, exhaust	Pilot	Manual override	Part No.
Ø 10x1	Ø 10x1	M14x1	Internal	without	5717451000

Dimensions



1) for pipe Ø 8 x 1 2) flow control screw for exhausts 5 (R) and 3 (S)

Pilot pressure range



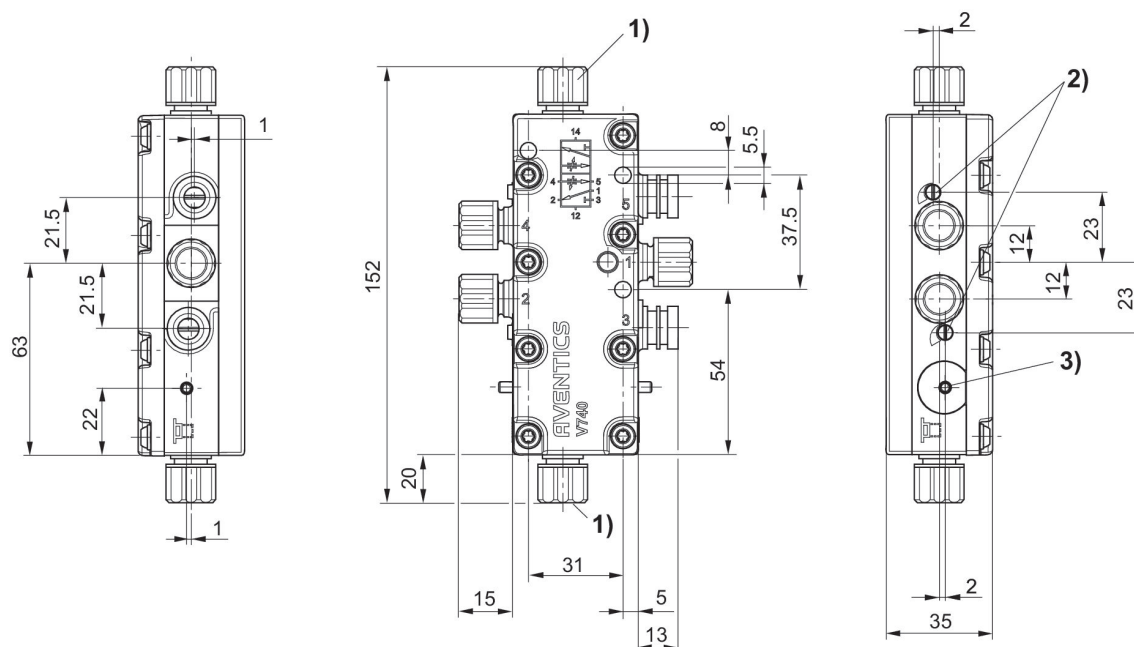
x: Working pressure ([0 bar]... [10 bar]) y: Pilot pressure ([1 bar] ...[6 bar]) a: Min. pilot pressure at port 14 (Z) depending on working pressure

5/2-directional valve, Series 740, double solenoid

Activation: Pneumatically
 Actuating control: Double Air Pilot
 Manual override: with detent
 Compressed air connection type: Internal thread plug-in with tube nut
 Type: Diaphragm poppet valve

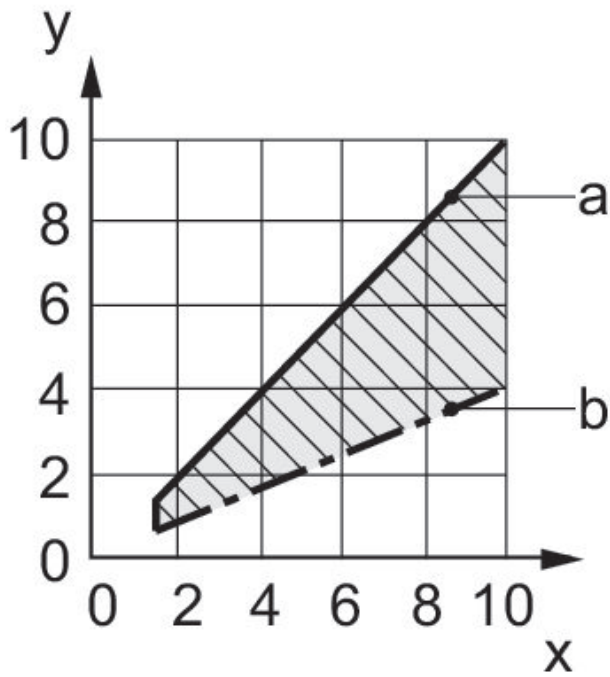


Compressed air connection input	Compressed air connection output	Compressed air connection, exhaust	Pilot	Manual override	Part No.
Ø 8x1	Ø 8x1	M14x1	Internal	with detent	5717410000
Ø 10x1	Ø 10x1	M14x1	Internal	with detent	5717460000



1) for pipe Ø 8 x 1 2) flow control screw for exhausts 5 (R) and 3 (S) 3) position indicator

Pilot pressure range



x: operating pressure (bar) y: control pressure (bar) a: maximum control pressure depending on operating pressure b: minimum control pressure depending on operating pressure

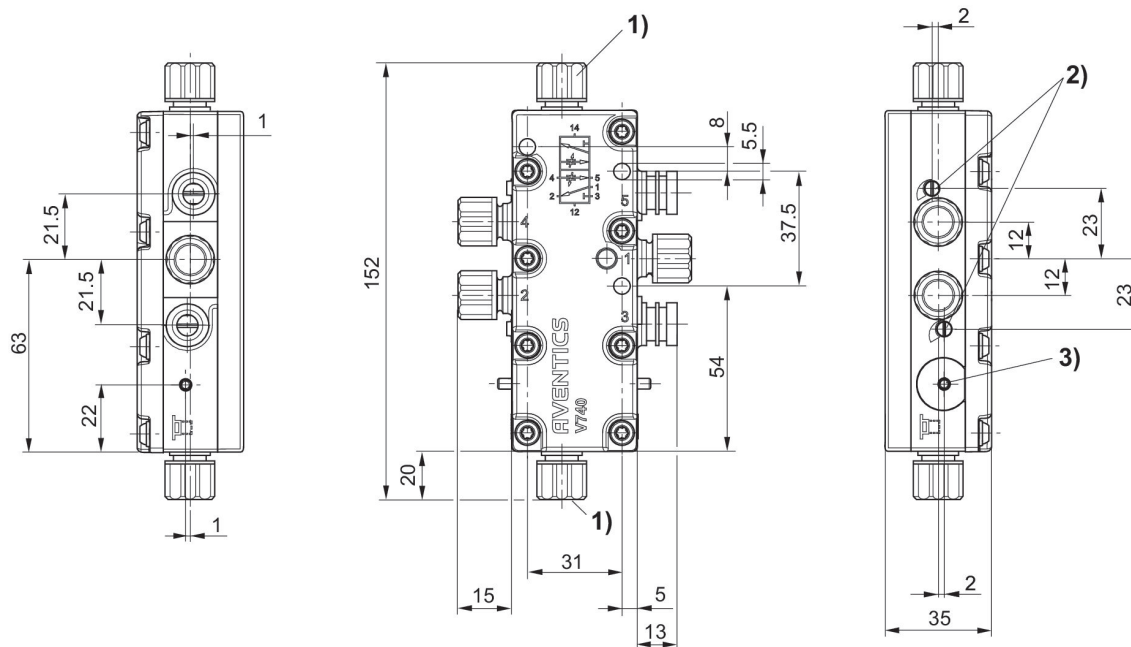
5/2-directional valve, Series 740, double solenoid, corrosion-resistant

Flow: 950 l/min
 Activation: Pneumatically
 Actuating control: Double Solenoid
 Manual override: with detent
 Compressed air connection type: Internal thread plug-in with tube nut
 Compressed air connection input: Ø 10x1
 Compressed air connection output: Ø 10x1
 Type: Diaphragm poppet valve



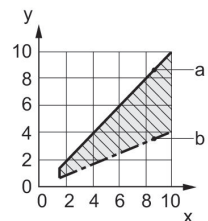
Compressed air connection input	Compressed air connection output	Compressed air connection, exhaust	Pilot	Manual override	Part No.
Ø 10x1	Ø 10x1	M14x1	Internal	with detent	5717461000

Dimensions



1) for pipe Ø 8 x 1 2) flow control screw for exhausts 5 (R) and 3 (S) 3) position indicator

Pilot pressure range



x: operating pressure (bar) y: control pressure (bar) a: maximum control pressure depending on operating pressure b: minimum control pressure depending on operating pressure

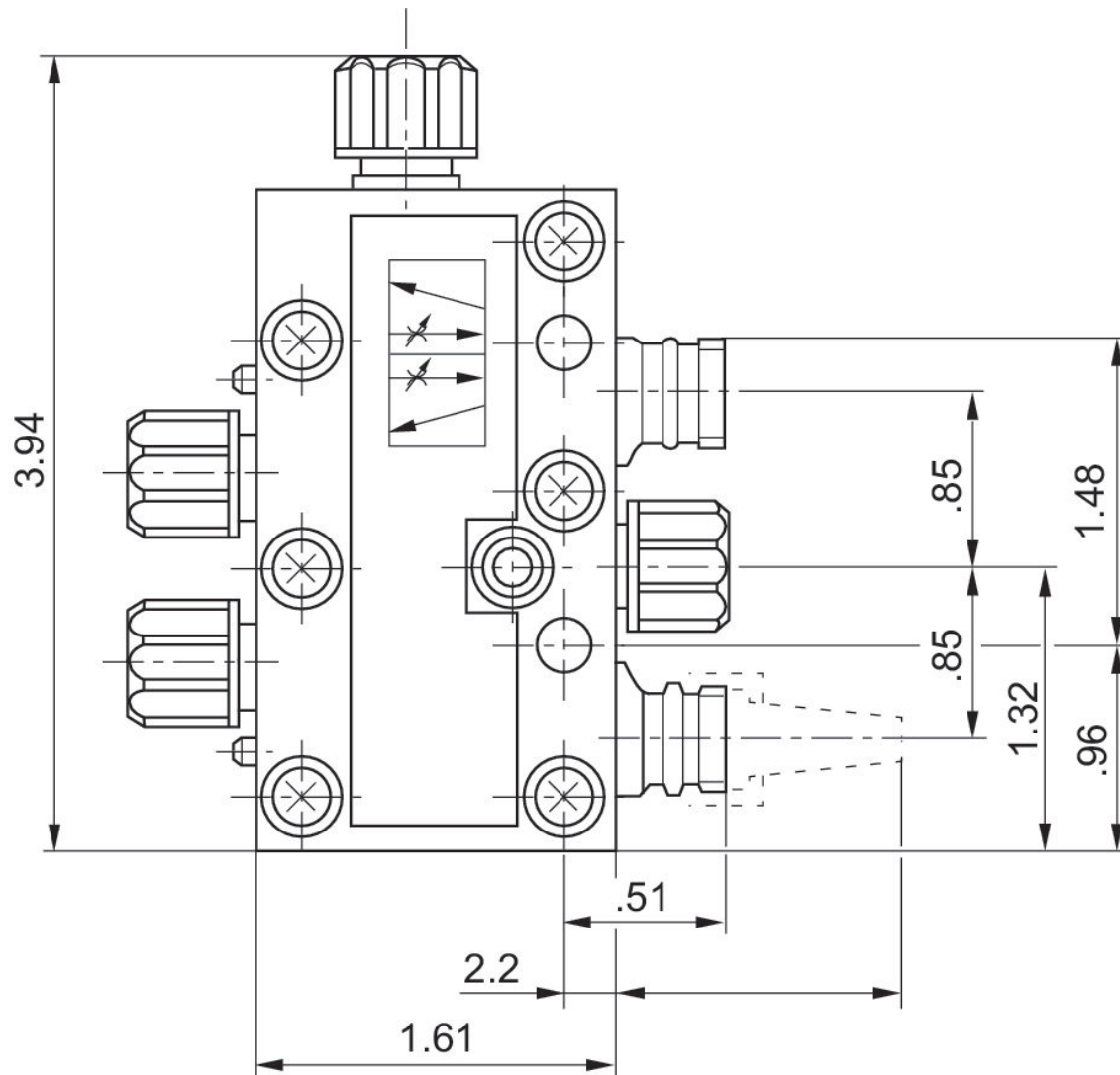
5/2-directional valve, Series 740, single solenoid

Activation: Pneumatically
 Manual override: without
 Compressed air connection type: Internal thread plug-in with tube nut
 Type: Diaphragm poppet valve

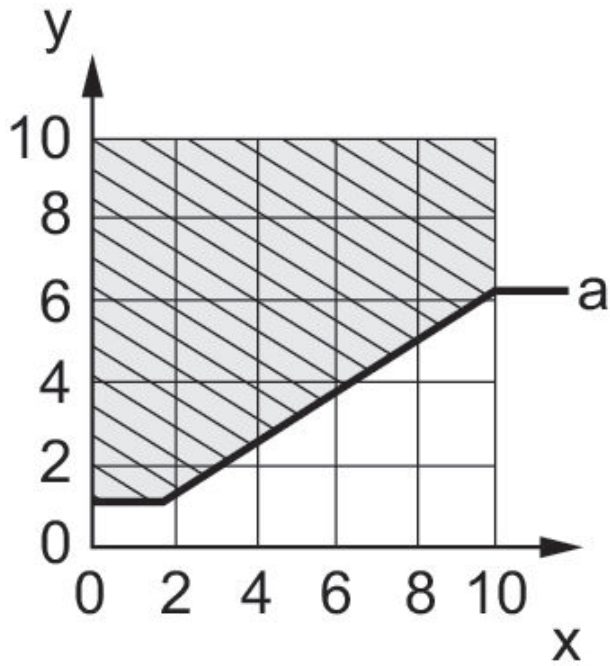


Compressed air connection input	Compressed air connection output	Compressed air connection, exhaust	Pilot	Manual override	Part No.
3/8"	3/8"	3/8"	Internal	without	R432013808

Dimensions in inches



Pilot pressure range



x: Working pressure ([0 bar]... [10 bar]) y: Pilot pressure ([1 bar] ...[6 bar]) a: Min. pilot pressure at port 14 (Z) depending on working pressure

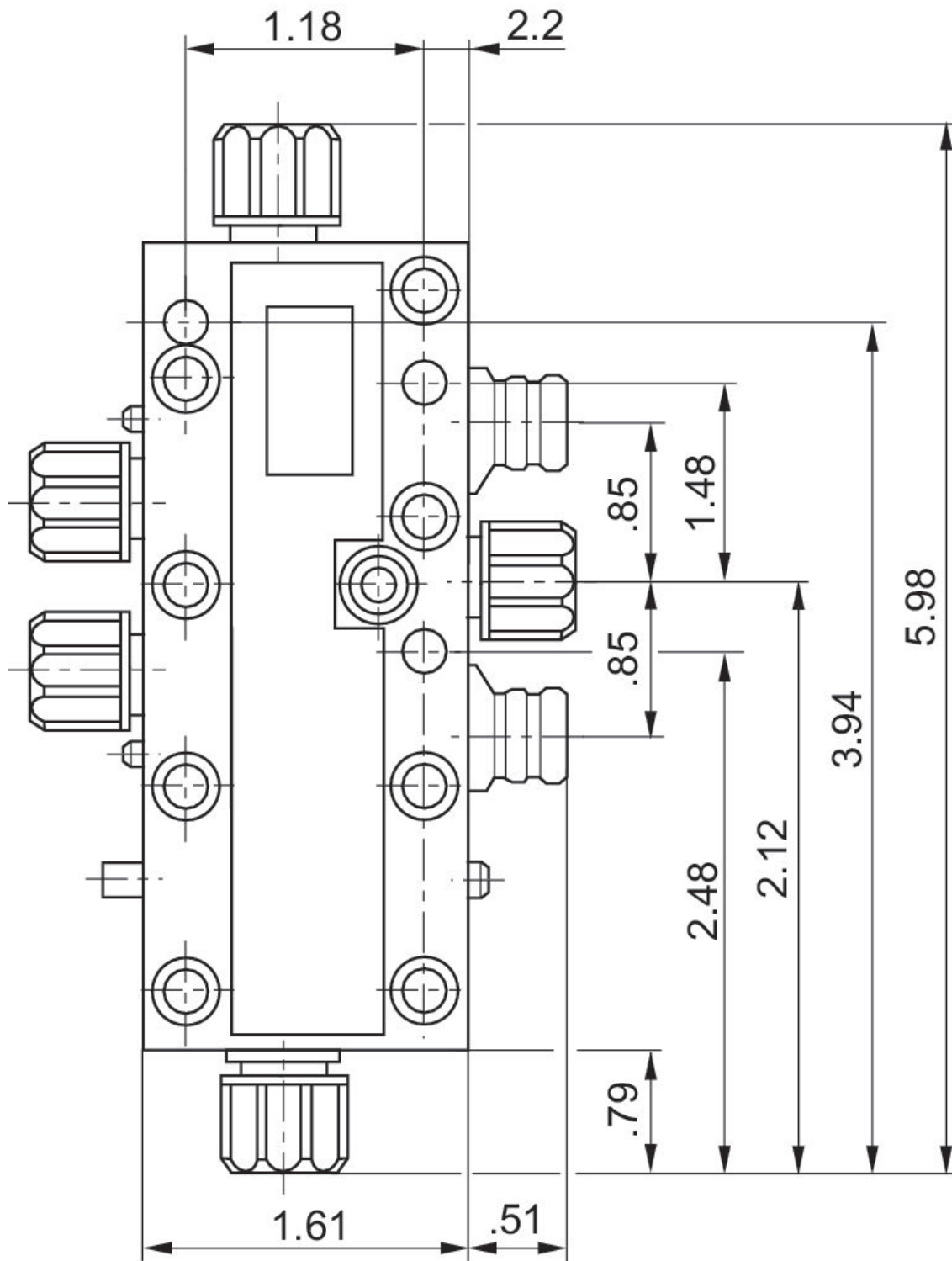
5/2-directional valve, Series 740, double solenoid

Activation: Pneumatically
 Actuating control: Double Solenoid
 Manual override: with detent
 Compressed air connection type: Internal thread plug-in with tube nut
 Type: Diaphragm poppet valve

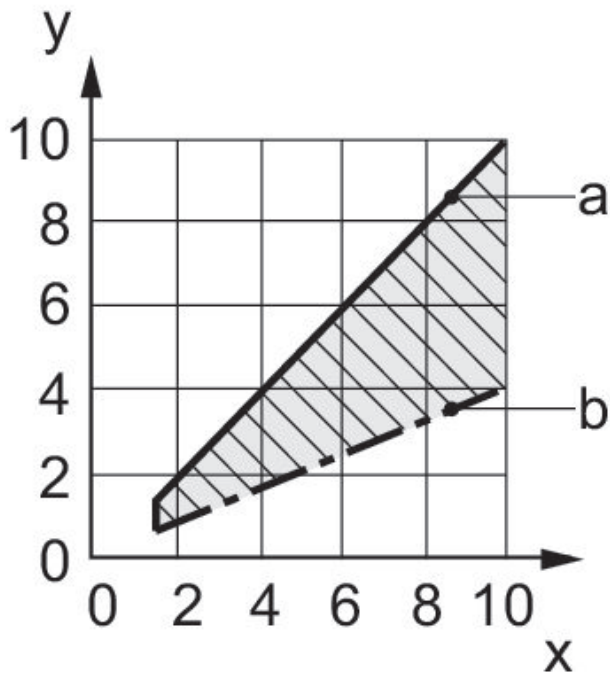


Compressed air connection input	Compressed air connection output	Compressed air connection, exhaust	Pilot	Manual override	Part No.
3/8"	3/8"	3/8"	Internal	with detent	R432013810

Dimensions in inches



Pilot pressure range



x: operating pressure (bar) y: control pressure (bar) a: maximum control pressure depending on operating pressure b: minimum control pressure depending on operating pressure

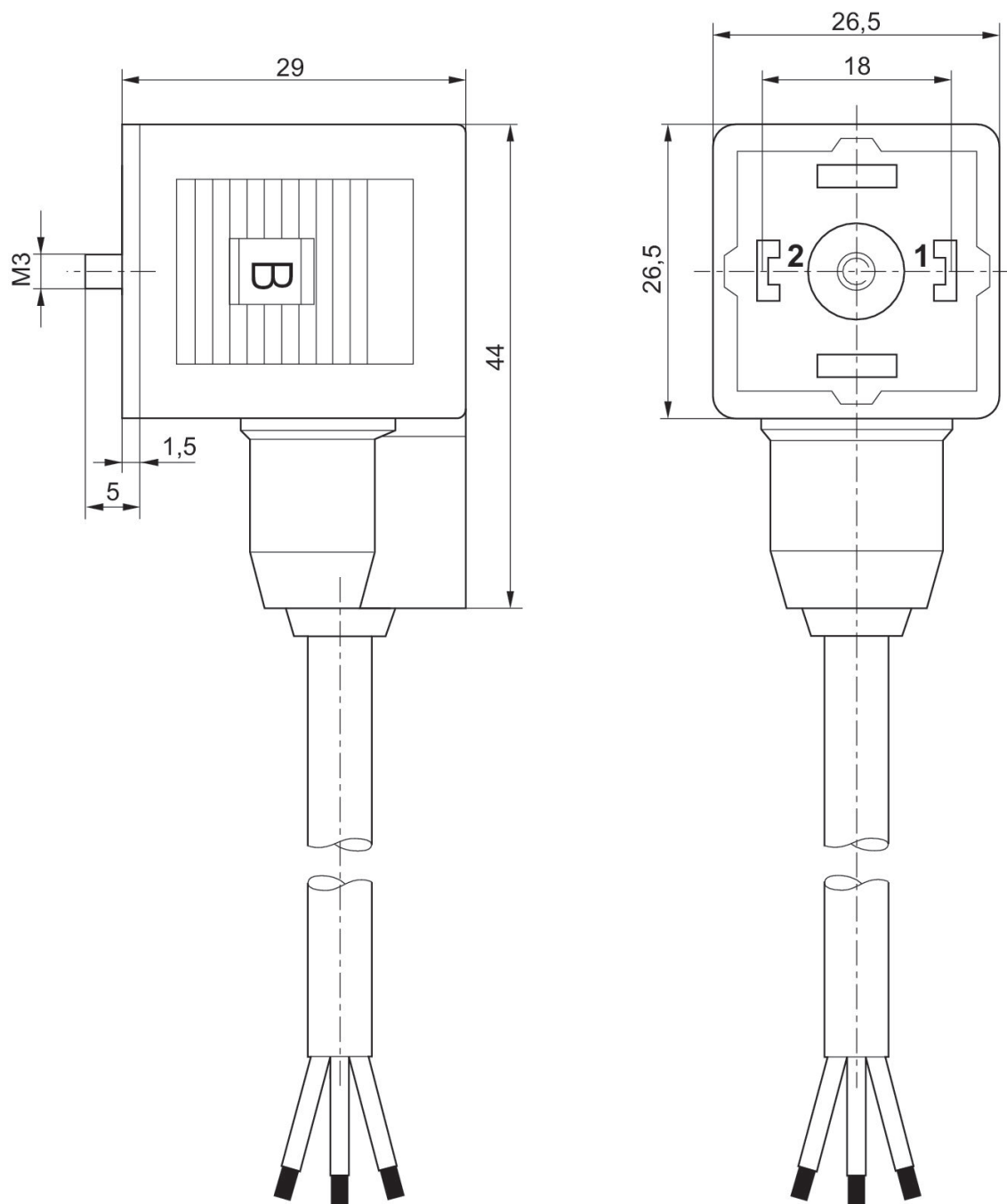
Valve plug connector with cable series CON-VP, 230 V AC/DC

Electrical connection 1, thread size: form A



Operational voltage	Contact assignment	Cable-Ø [mm]	Cable length [m]	Part No.
230 V AC/DC	2+E	5.9	3	1834484160

Dimensions



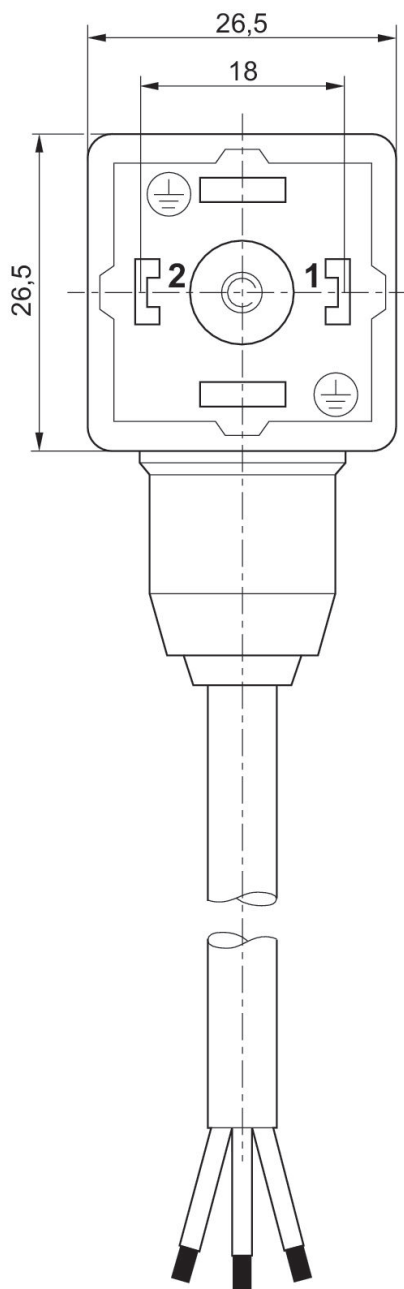
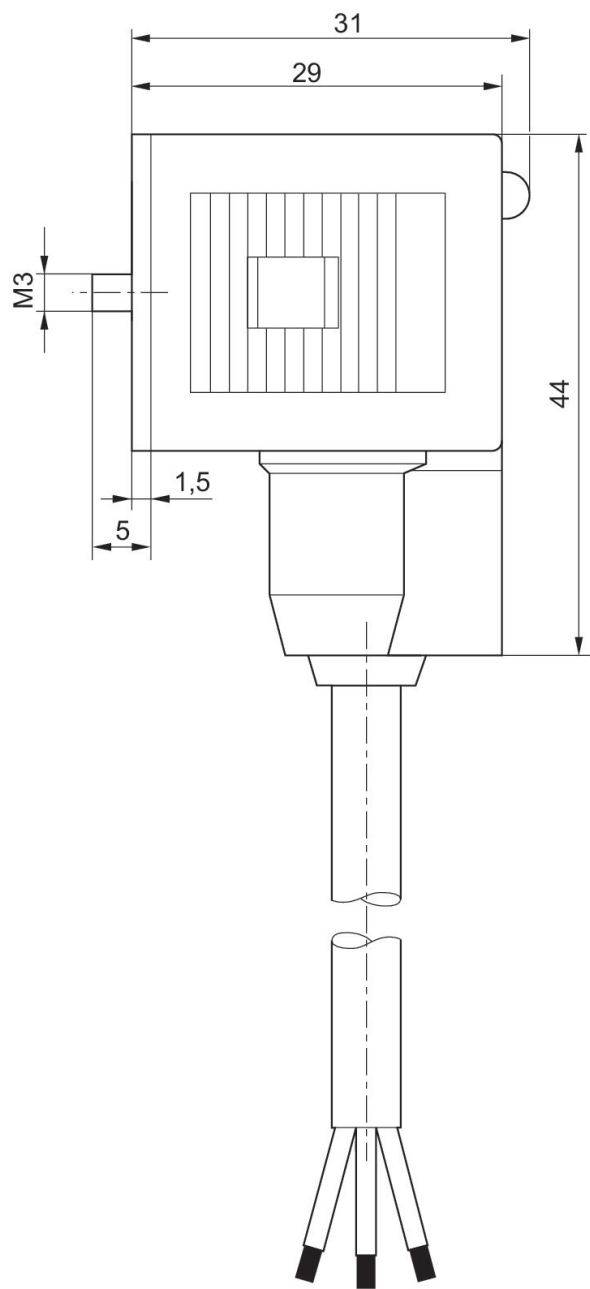
Valve plug connector with cable series CON-VP, 24/230 V AC/DC

Electrical connection 1, thread size: form A



Operational voltage	Protective circuit	Contact assignment	LED status display	Cable-Ø [mm]	Cable length [m]	Part No.
24 V AC/DC	Z-diode	2+E	Yellow	5.9	3	1834484162
24 V AC/DC	Z-diode	2+E	Yellow	5.9	5	1834484163
230 V AC/DC	Varistor	2+E	Red	5.9	3	1834484164
230 V AC/DC	Varistor	2+E	Red	5.9	5	1834484165

Dimensions



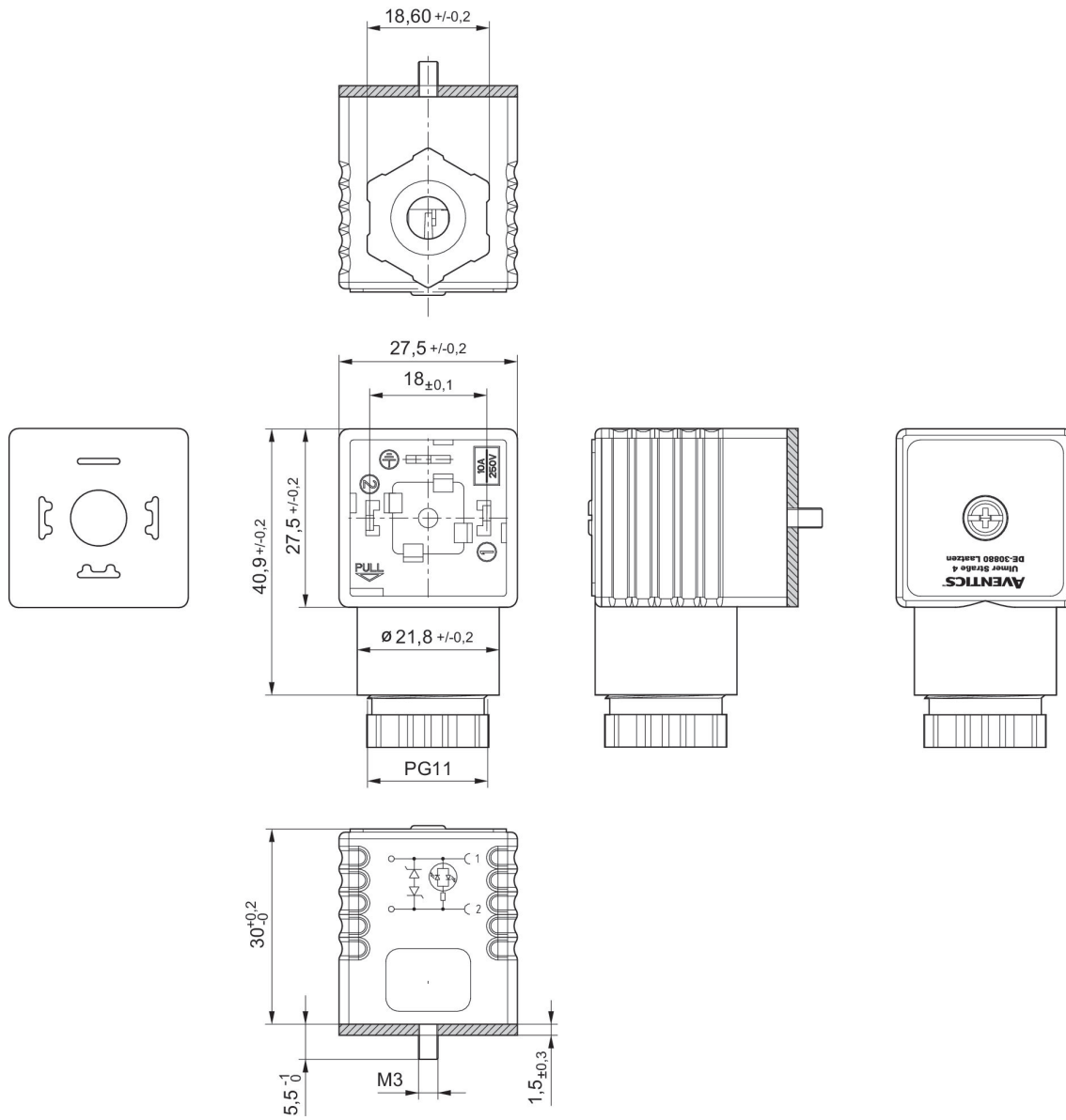
Valve plug connector, series CON-VP, Form A, 24 V AC/DC, Flat gasket

Electrical connection 1, thread size: EN 175301-803, form A



Operational voltage	Protective circuit	Max. current [A]	Contact assignment	LED status display	min. suitable cable Ø [mm]	max. suitable cable Ø [mm]	Part No.
24 V AC/DC	2 Z-diodes	1.5	2+E	Yellow	4	9.5	1834484101

Dimensions



Profile seal

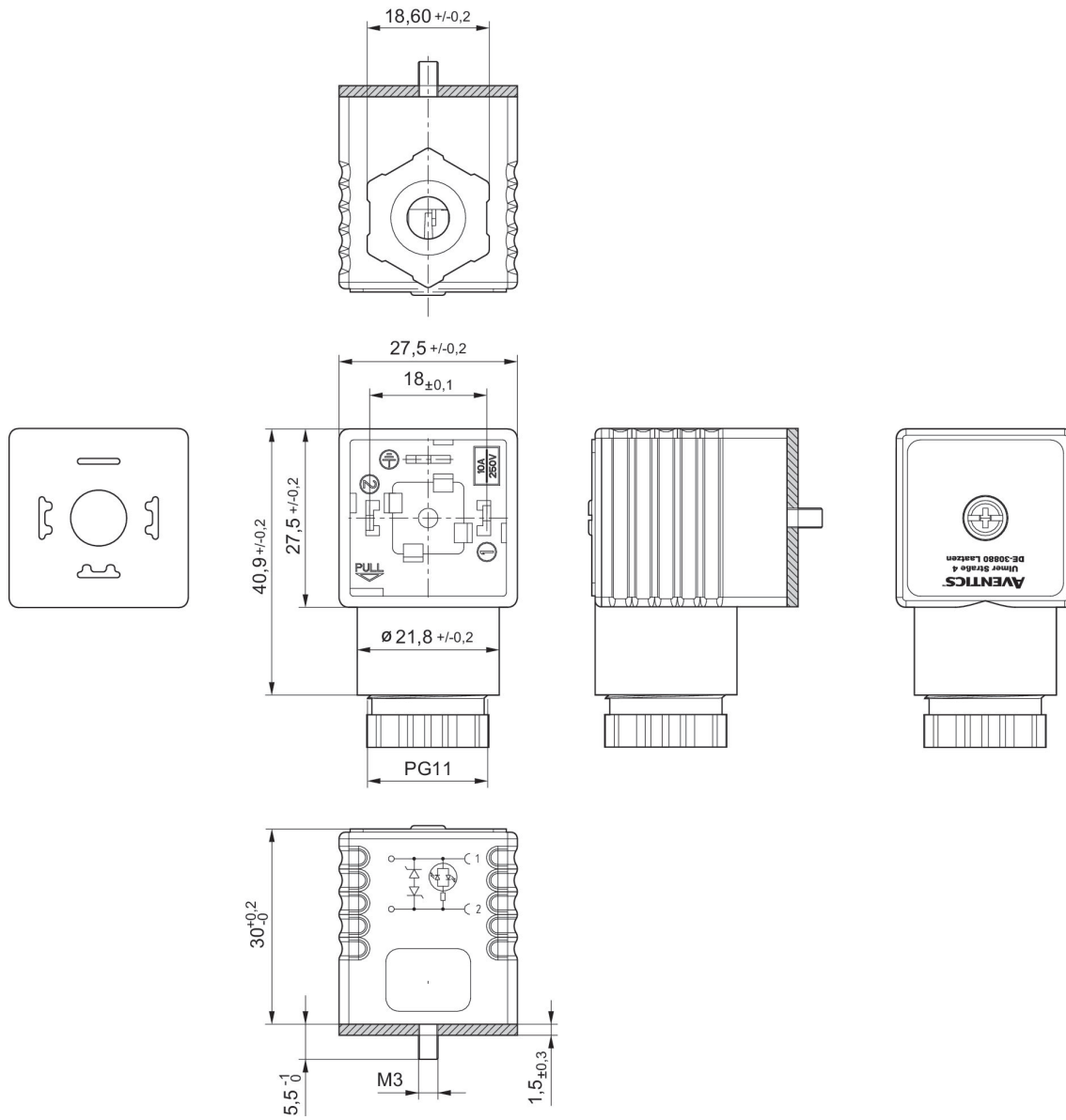
Valve plug connector, series CON-VP, form A, 115/230 V AC/DC

Electrical connection 1, thread size: EN 175301-803, form A
 Certificates: CE declaration of conformity UKCA



Operational voltage	Protective circuit	Contact assignment	LED status display	min. suitable cable Ø [mm]	max. suitable cable Ø [mm]	Part No.
115 V AC/DC	Varistor	2+E	Red	6.5	9.5	1834484102
230 V AC/DC	Varistor	2+E	Red	6.5	9.5	1834484103

Dimensions



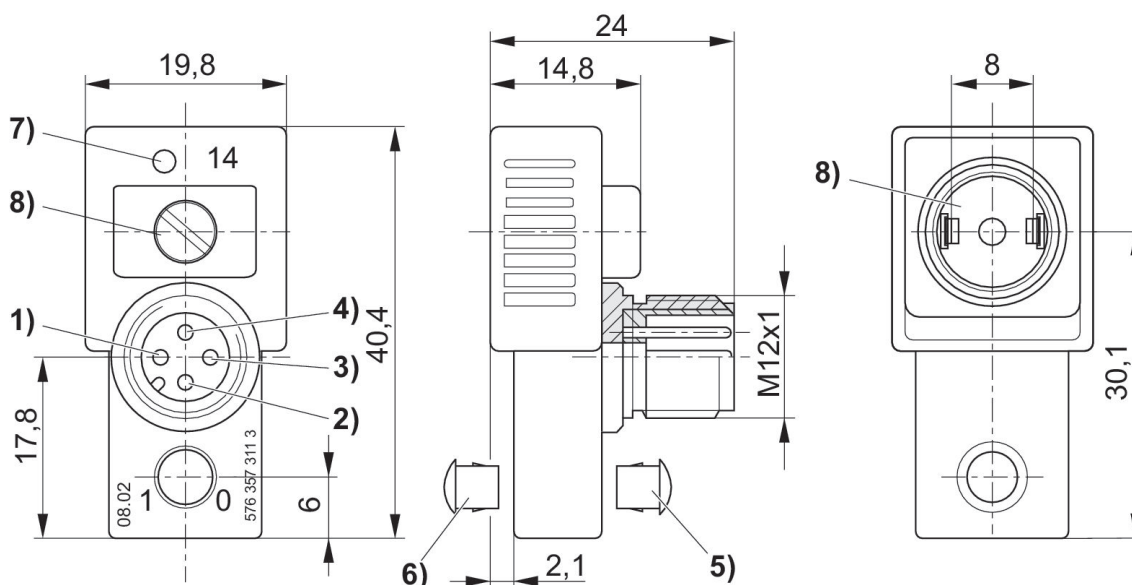
Profile seal

Contact bridges, series CON-CB



Max. current [A]	Contact assignment	LED status display	Part No.
4	4-pin	Yellow	5763573113

Dimensions



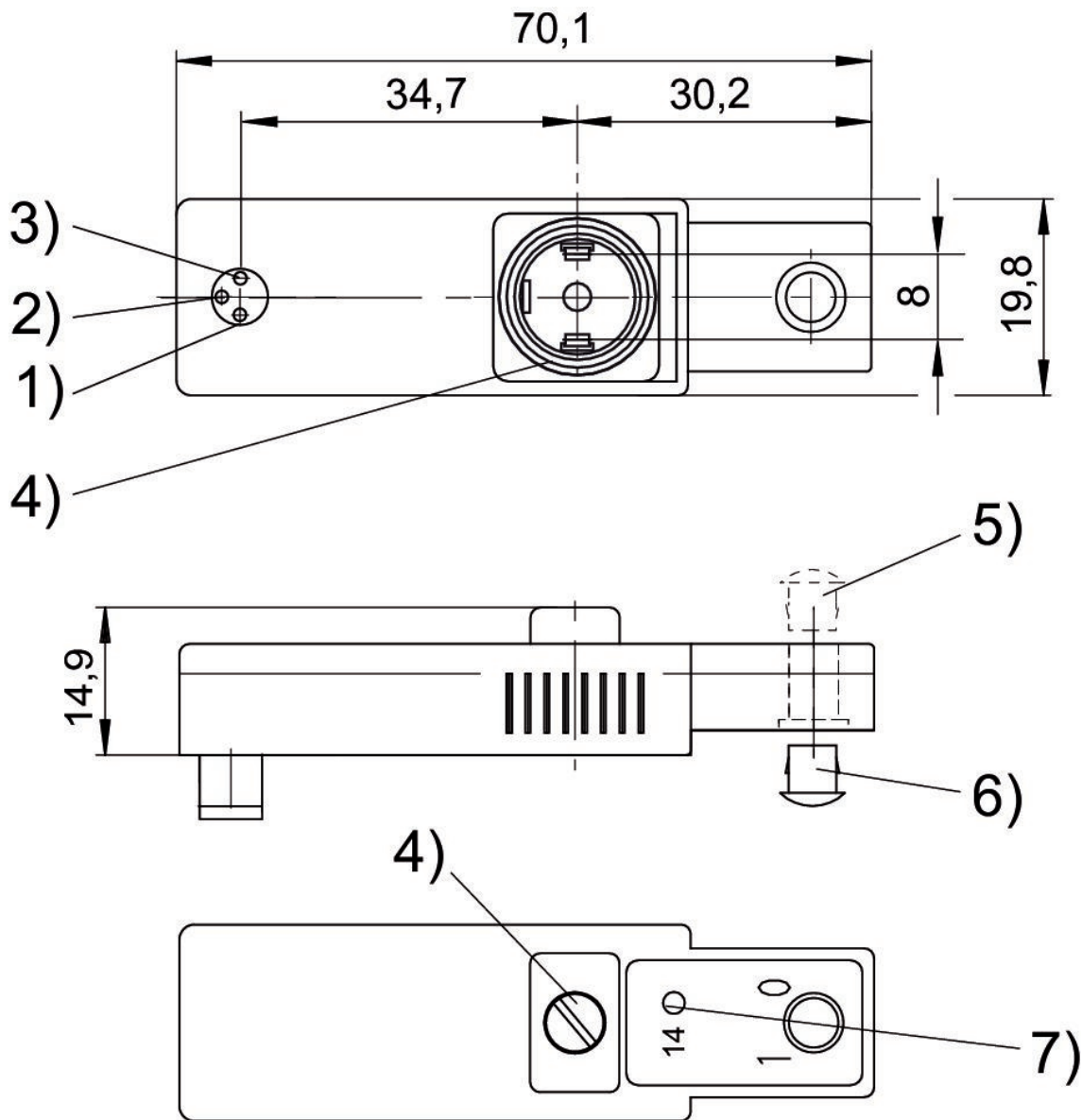
- 1) not assigned 2) not assigned 3) 0 V 4) magnet 14
- 5) Sealing cap for manual override not removable
- 6) Removable
- 7) LED valve
- 8) captive seal and screw

Contact bridges, series CON-CB



Max. current [A]	Contact assignment	LED status display	Part No.
0.5	3-pin	Yellow	5763503183

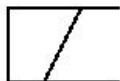
Dimensions



1) solenoid 14##2) not assigned##3) 0 V## 4) captive seal and screw##5) sealing cap for manual override not removable##6) removable##7) LED valve

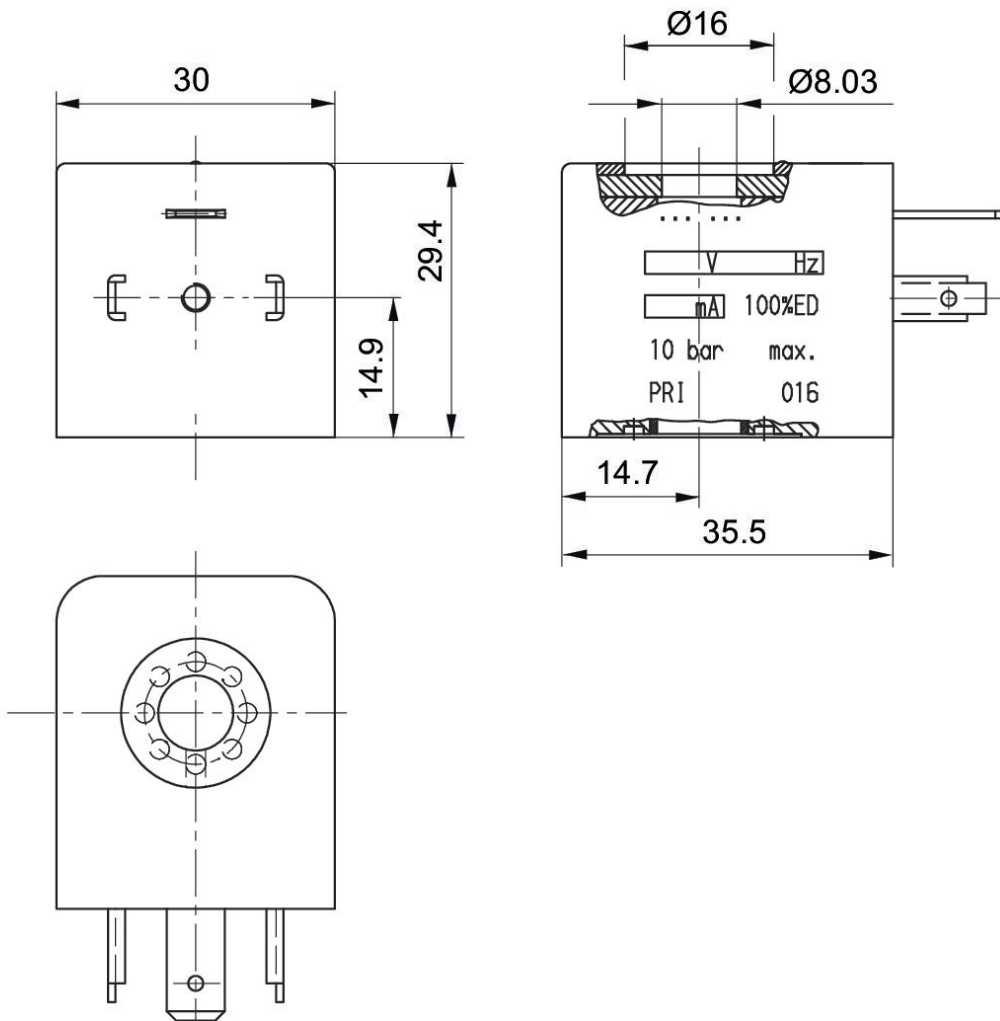
Coil, Series CO1, form A

Electrical connection 2, type: Plug



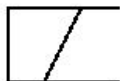
Operational voltage DC	Number of poles	Operational voltage AC at 50 Hz	Operational voltage AC at 60 Hz	Voltage tolerance DC	Voltage tolerance AC 50 Hz	Voltage tolerance AC 60 Hz	Power consumption DC [W]	Holding power AC 50 Hz [VA]	Compatibility index	Part No.
24 V	3-pin			-10 % / +10 %			2.7		14	5420897022
	3-pin	24 V	24 V		-20 % / +10 %	-10 % / +20 %		5.2	14	5428117022
	3-pin	110 V	110 V		-20 % / +10 %	-10 % / +20 %		4.8	14	5428117072
	3-pin	230 V	230 V		-20 % / +10 %	-10 % / +20 %		5.6	14	5428117082

Dimensions



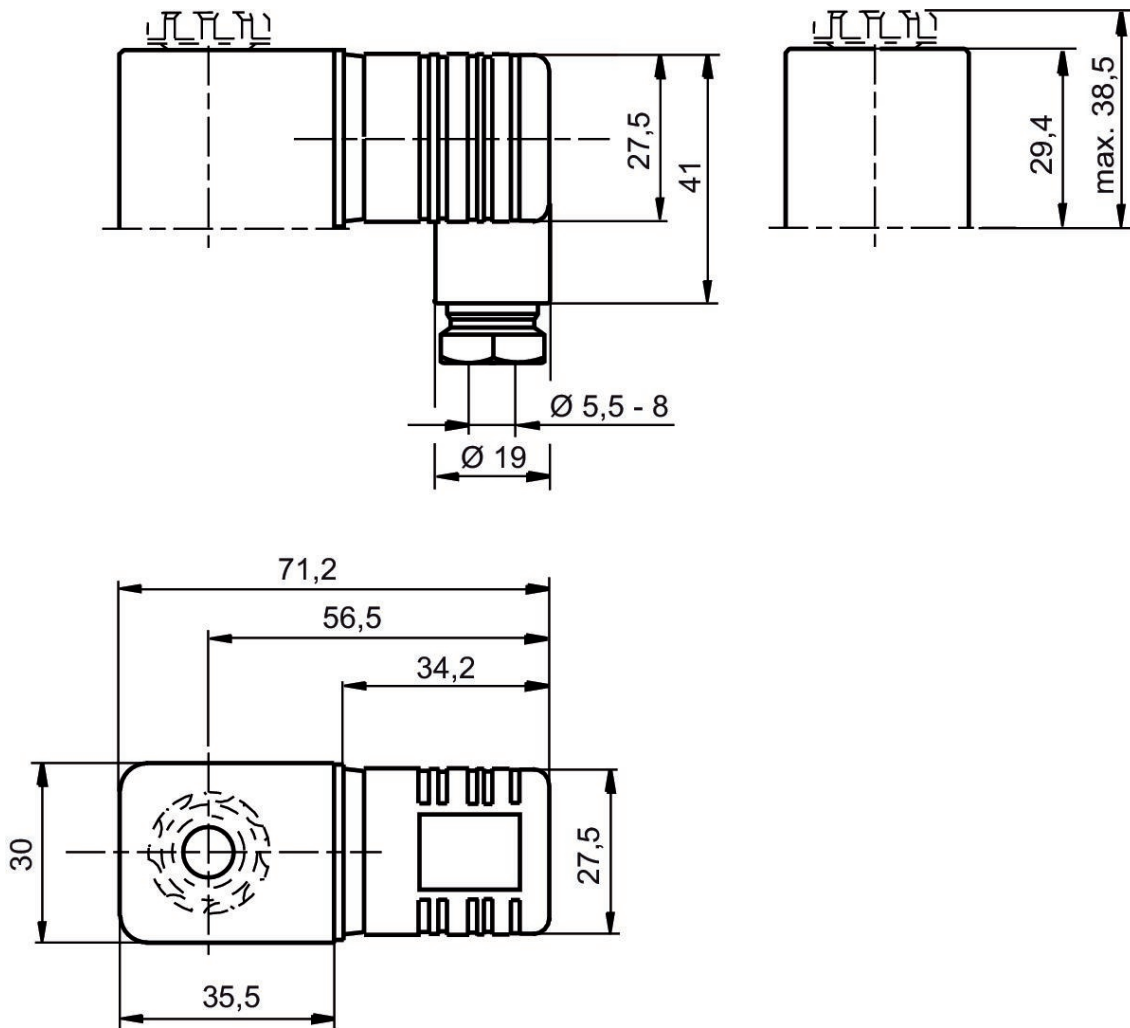
Coil, Series CO1, ATEX

Certificates: ATEX



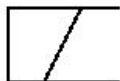
Operational voltage DC	Operational voltage AC at 50 Hz	Operational voltage AC at 60 Hz	Voltage tolerance DC	Voltage tolerance AC 50 Hz	Voltage tolerance AC 60 Hz	Power consumption DC [W]	Holding power AC 50 Hz [VA]	Switch-on power AC 50 Hz [VA]	Compatibility index	Part No.
24 V			-10 % / +10 %			2.1			13	R412000144
	24 V	24 V		-10 % / +10 %	-10 % / +10 %		4	6.9	13	R412000145
	110 V	110 V		-10 % / +10 %	-10 % / +10 %		4	6.8	13	R412000146
	230 V	230 V		-10 % / +10 %	-10 % / +10 %		4	6.9	13	R412000147

Dimensions



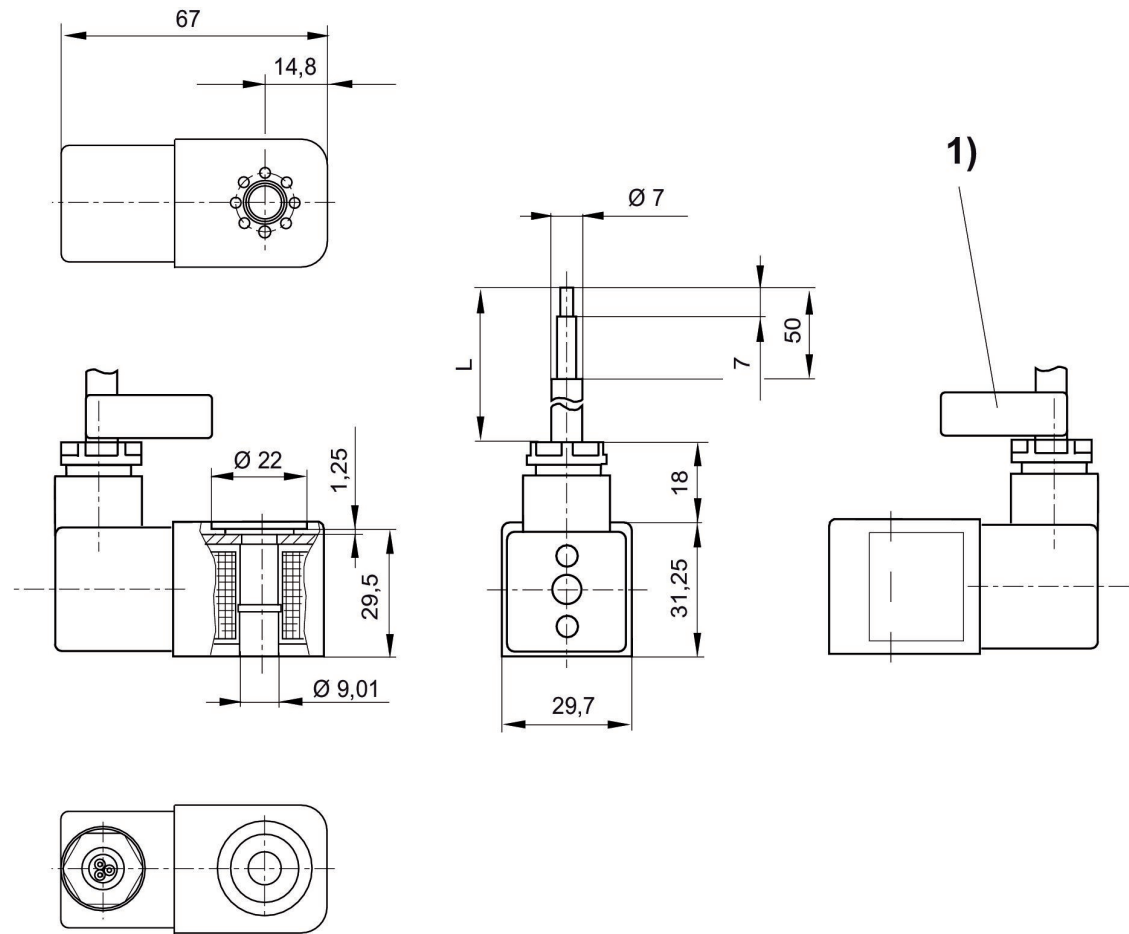
Coil, Series CO1, with cable, ATEX

Certificates: ATEX



Operational voltage DC	Operational voltage AC at 50 Hz	Operational voltage AC at 60 Hz	Voltage tolerance DC	Voltage tolerance AC 50 Hz	Power consumption DC [W]	Holding power AC 50 Hz [VA]	Switch-on power AC 50 Hz [VA]	Cable length [m]	Compatibility index	Part No.
	230 V	230 V		-10 % / +10 %		3	3.1	3	14	1827414297
	230 V	230 V		-10 % / +10 %		3	3.1	10	14	1827414298
	110 V	110 V		-10 % / +10 %		2.9	3	3	14	1827414299
	24 V	24 V		-10 % / +10 %		2.9	3	3	14	1827414301
24 V			-10 % / +10 %		3.25			3	14	1827414303
24 V			-10 % / +10 %		3.25			10	14	1827414304

Dimensions



L = cable length

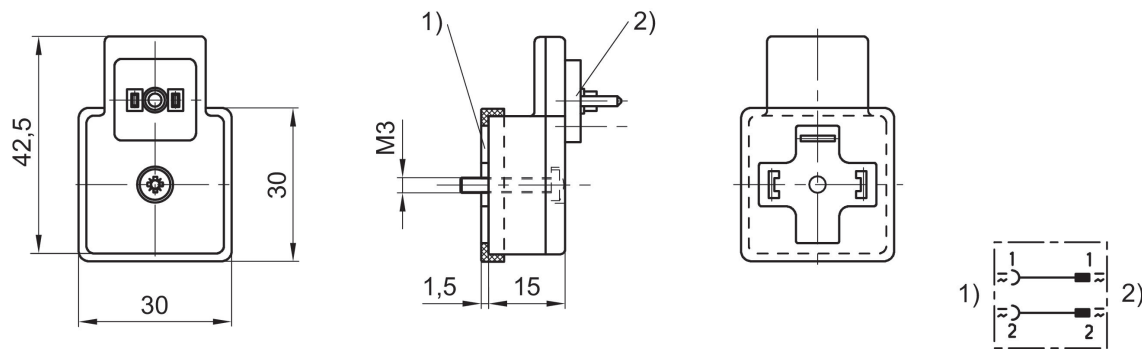
1) Cable ID band with serial number

Adapter, Series CON-VP, from form A to form C



Type	Max. current [A]	Part No.
from form A to form C	0.5	8946053622

Dimensions



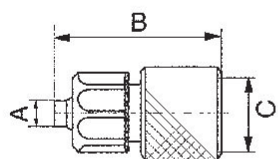
- 1) contact as per DIN EN 175301-803, form A
- 2) contact as per DIN EN 175301-803, form C

Fittings - Accessories, Series 740

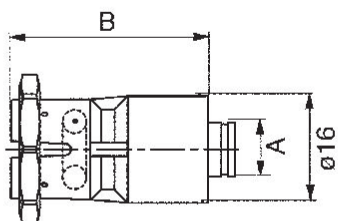


Type	Part No.
Reducing fitting Ø 8x1 to Ø 6x incl. O-ring	8939008500
Reducing fitting Ø 10x1 to Ø 6x1 incl. O-ring	8939008510
Reducing fitting Ø 10x1 to Ø 8x1 incl. O-ring	8939008520
Reducing fitting Ø 8x1 to Ø 6x1, push-in incl. O-ring	8938000910
Reducing fitting Ø 8x1 to Ø 8x1, push-in incl. O-ring	8938000920
fitting, for port R and S for 8x1	8939008800
Tubing connector for fabric-reinforced tubing Ø 8x3, incl. O-Ring	8931220200
elbow fitting Ø 10x1 to Ø 6x1, incl. O-ring	8938306520
elbow fitting Ø 10x1 to Ø 8x1, incl. O-ring	8938306530
elbow fitting Ø 10x1 to Ø 10x1, incl. O-ring	8938306540
Tube nut Ø 10x1 for silencer	8919905414
Silencer	8993809904
Screw plug, Ø 8x1	8919905502
Screw plug, Ø 10x1	8919905512
Adapter, Ø 8x1, G 1/4, incl. O-ring	8932404100
elbow fitting Ø 8x1 to Ø 6x1, push-in, incl. O-ring	8938306550
elbow fitting Ø 8x1 to Ø 8x1, push-in, incl. O-ring	8938306560
Elbow fitting, 2x, plastic tubing Ø 6x1 for supply plate	8938307900
Elbow fitting, 2x, plastic tubing Ø 8x1 for supply plate	8938307800
tube nut, Ø 8x1	8919905404

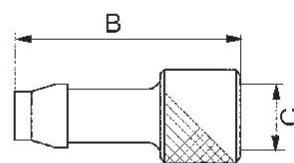
8939008500,
8939008510,
8939008520



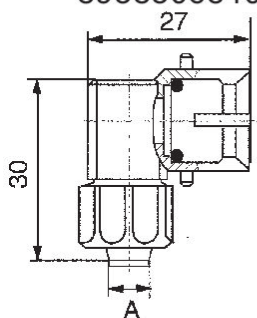
8938000910,
8938000920



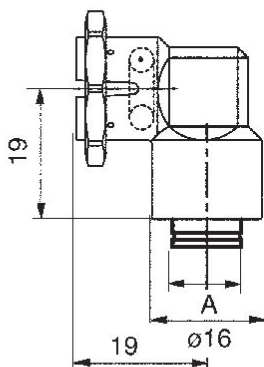
8931220200



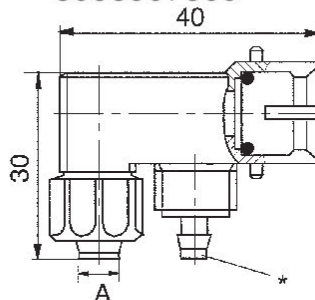
8938306520,
8938306530,
8938306540



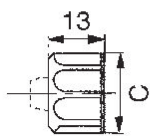
8938306550,
8938306560



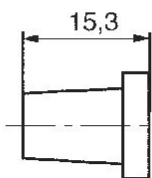
8938307900,
8938307800



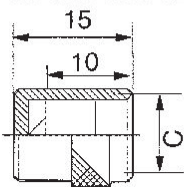
8919905414,
8919905404



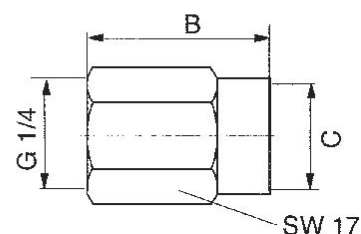
8993809904



8919905502,
8919905512



8932404100



Dimensions

Part No.	Ø A	B	C
8939008500	4	25	M12x1
8939008510	4	26	M14x1
8939008520	6	27	M14x1
8938000910	6	29.5	-
8938000920	8	29.5	-
8939008800	6	24	M14x1
8931220200	8	33	M12x1
8938306520	4	-	-
8938306530	6	-	-
8938306540	8	-	-

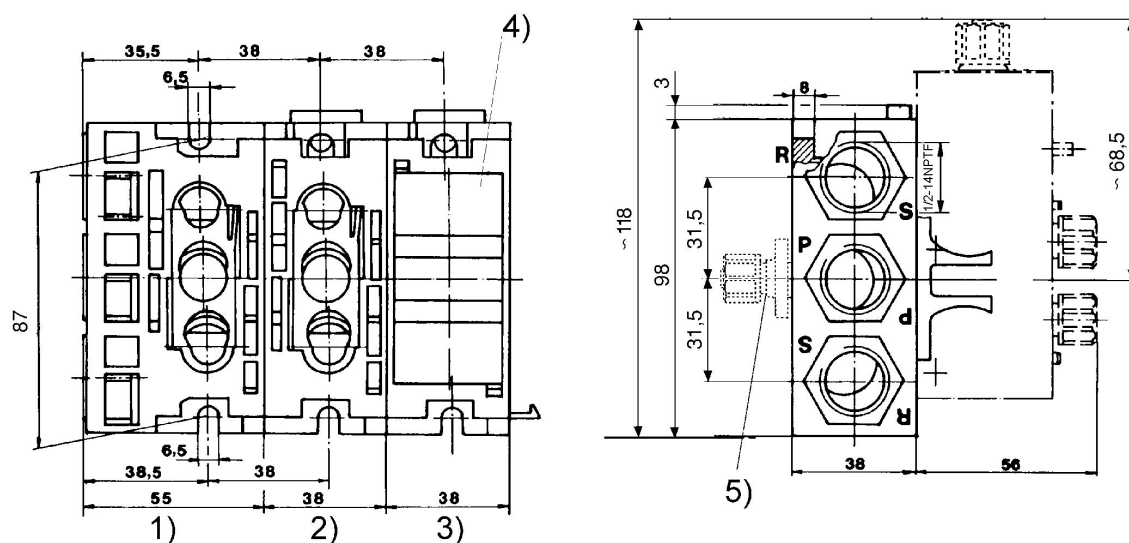
Part No.	Ø A	B	C
8938306550	6	-	-
8938306560	8	-	-
8919905404	-	-	M12x1
8919905414	-	-	M14x1
8993809904	-	-	-
8919905502	-	-	M12x1
8919905512	-	-	M14x1
8932404100	-	27	M12x1
8938307900	4	-	-
8938307800	6	-	-

Subbases and accessories



Type	Part No.
Supply plate, complete with O-rings	8985003902
Supply plate, corrosion-protected, complete with O-rings	8985003972
Sandwich plate 740, complete with O-rings.	8985003922
End plate	8985003912
Dummy flange for reserve places complete with seals	5727406012
O-rings for connections 1, 3, and 5 (R = 5: Exhaust, P = 1: Pressure, S = 3: Exhaust)	5727400092

Dimensions



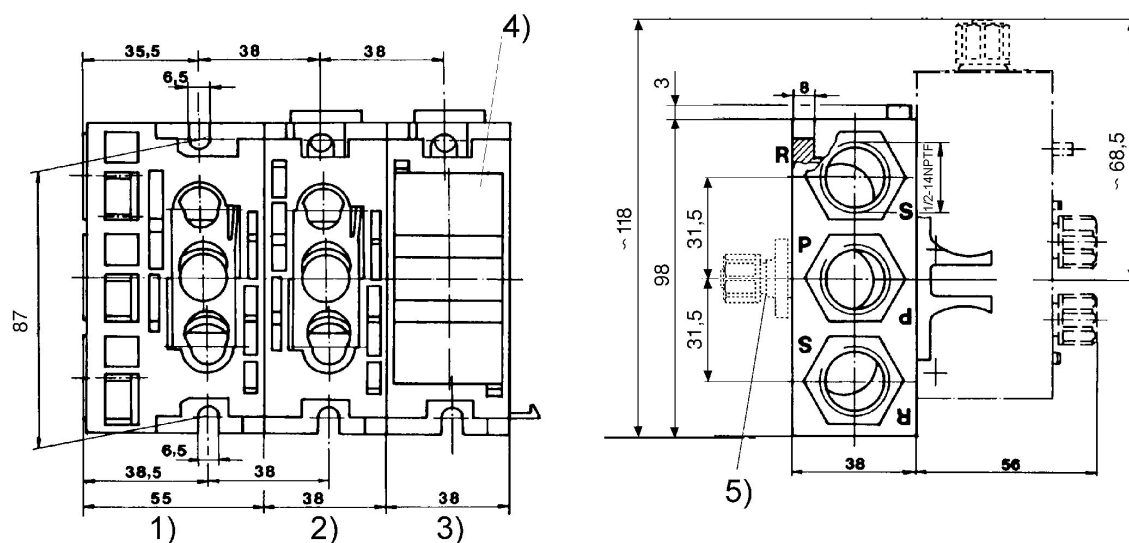
Tightening torque for all screws max. 35 Nm 1) Inlet plate 2) Through plate 3) End plate 4) Dummy flange 5) Adapter for separate air supply

Subbases and accessories



Type	Part No.
Supply plate, complete with O-rings	R432013811
End plate	R432013812
Sandwich plate 740, complete with O-rings.	R432013813
Dummy flange for reserve places complete with seals	R432015511
Individual manifold supply pressure kit – mounts underneath manifold segment (not included in scope of delivery)	R432015512
Single subbase (identical to input segment except rear openings are blocked). Used to manifold mount one valve only.	R432015880

Dimensions



Tightening torque for all screws max. 35 Nm 1) Inlet plate 2) Through plate 3) End plate 4) Dummy flange 5) Adapter for separate air supply

P-manifold

For series: CD07
Compressed air connection input: Ø 10x1







Type	Part No.
Supply plate, complete with O-rings	R432015330

Efficient pneumatic solutions, our program:
cylinders and drives, valves and valve systems,
air supply management, proportional pressure
control valves



Visit us: www.Emerson.com/aventics
Your local contact: Emerson.com/contactus

-  Emerson.com
-  Facebook.com/EmersonAutomationSolutions
-  LinkedIn.com/company/Emerson-Automation-Solutions
-  Twitter.com/EMR_Automation



The Emerson logo is a trademark and service mark of Emerson Electric Co. AVENTICS is a registered trademark of one of the Emerson family of companies. All other trademarks are the property of their respective owners. © 2020 Emerson Electric Co. All rights reserved.



CONSIDER IT SOLVED™