

Series 490/579/589



AVENTICS™

**AVENTICS Series 490/579/589
Directional Control Valves**


EMERSON™

Series 490/579/589

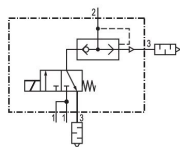
The AVENTICS Series 490/579/589 have a robust polymer housing that can be mounted individually or as a block. They cover a large range of voltages and feature fast connections for pneumatic tubing.

- Integrated connections
- Individual or block assemblies available
- Extensive voltage range
- Series suitable for dusty environments



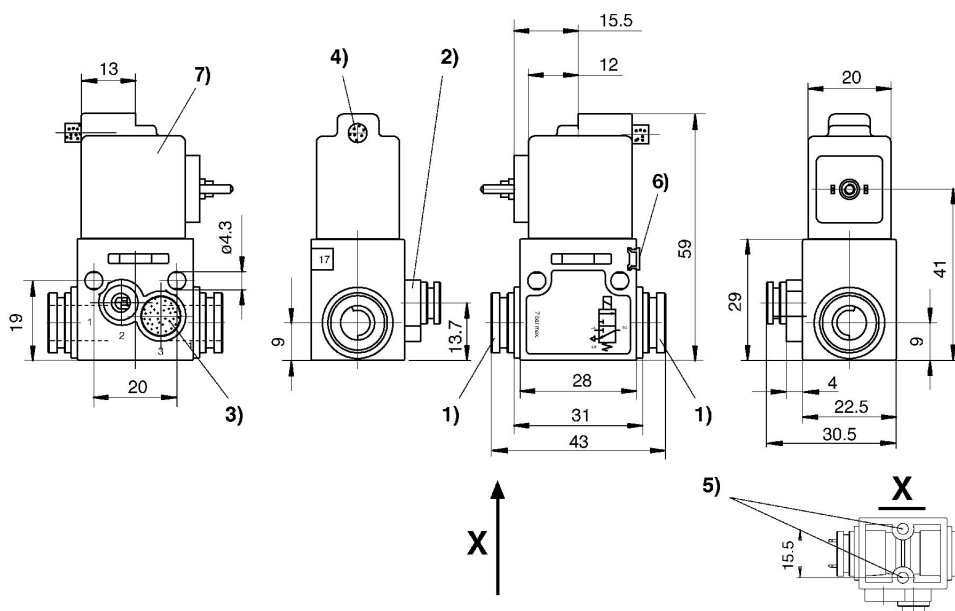
3/2-directional valve, Series 490

Single Solenoid
Plug
ISO 15217, form C
push-in fitting
Electrically
Ø 8
NC



Version	Switching principle	Compressed air connection input	Compressed air connection output	Operational voltage DC	Voltage tolerance DC	Pilot	Part No.
NC	3/2, with spring return	Ø 8	Ø 4	24 V DC	-20% / +20%	Internal	5724970220

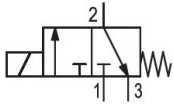
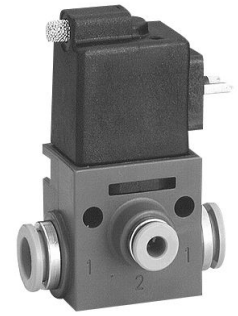
Dimensions



1) Port 1 2) Port 2 3) Exhaust 4) Exhaust 5) Pocket hole 6 mm deep for 3.5 self-tapping screw 6) Mounting space for name plate 7) Coil can be rotated at 180° intervals

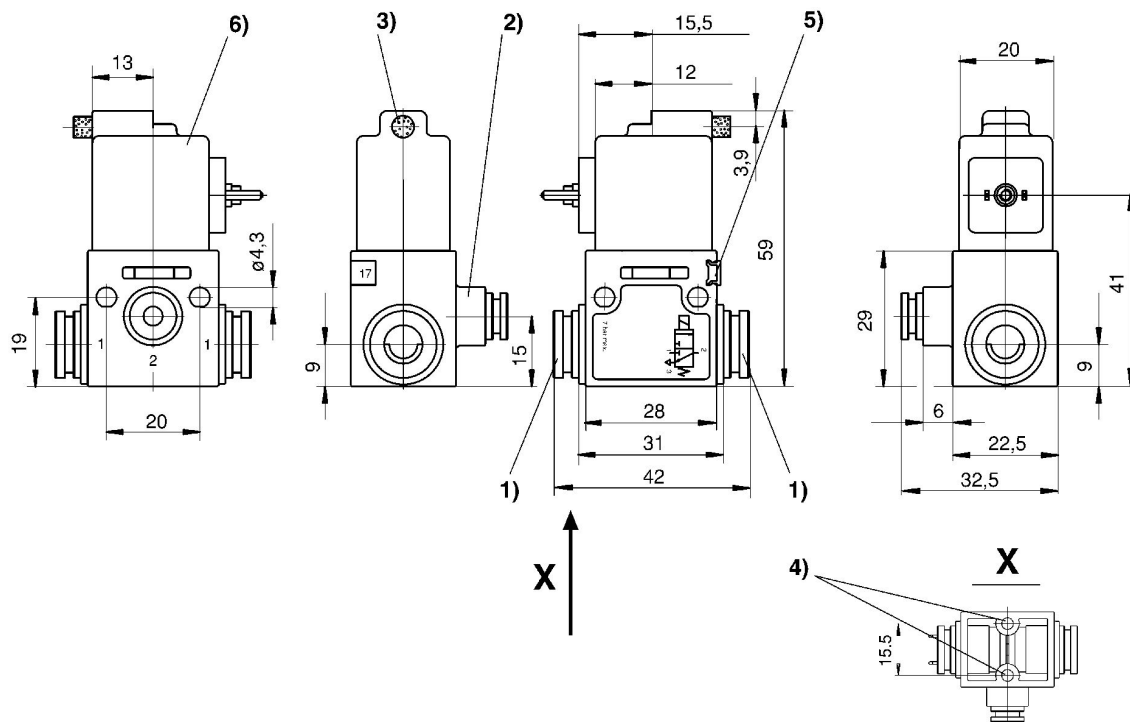
3/2-directional valve, Series 490

50 l/min
Single Solenoid
Plug
ISO 15217, form C
push-in fitting
Electrically
Ø 8
NC



Version	Switching principle	Compressed air connection input	Compressed air connection output	Operational voltage DC	Voltage tolerance DC	Pilot	Part No.
NC	3/2, with spring return	Ø 8	Ø 4	24 V DC	- 5% / +10%	Internal	5724990220

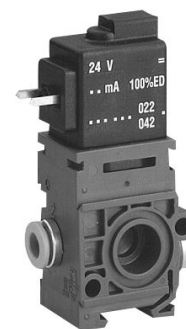
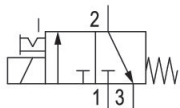
Dimensions



1) port 1 2) port 2 3) exhaust 4) pocket hole 6 mm deep for 3.5 self-tapping screw 5) mounting space for name plate 6) coil can be rotated at 180° intervals

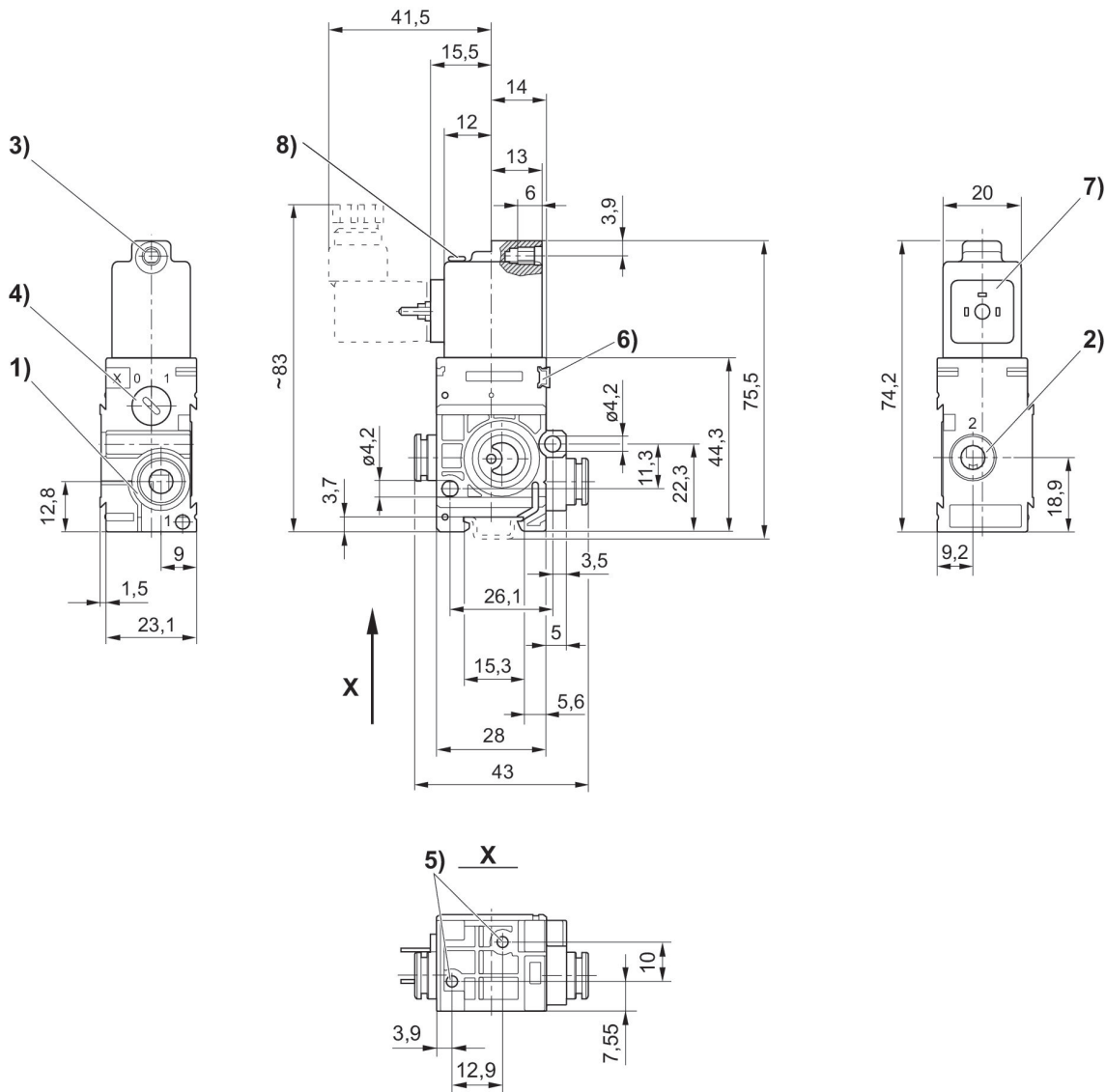
3/2-directional valve, Series 579

50 l/min
Plug
ISO 15217, form C
push-in fitting
Electrically
Ø 6x1
NC



Version	Type	Switching principle	Compressed air connection input	Compressed air connection output	Operational voltage DC	Operational voltage AC at 50 Hz	Operational voltage AC at 60 Hz	Voltage tolerance DC	Manual override	LED	Part No.
NC	Single valve	3/2, with spring return	Ø 6x1	Ø 6x1	12 V DC			-10% / +10%	with detent		5794000210
NC	Single valve	3/2, with spring return	Ø 6x1	Ø 6x1	24 V DC			-10% / +10%	with detent		5794000220
NC	Single valve	3/2, with spring return	Ø 6x1	Ø 6x1	24 V DC			-10% / +10%	with detent	Red	5794000620
NC	Single valve	3/2, with spring return	Ø 6x1	Ø 6x1	24 V AC	24 V	24 V		with detent		5794005220
NC	Single valve	3/2, with spring return	Ø 6x1	Ø 6x1	110 V AC	110 V	110 V		with detent		5794005270
NC	Single valve	3/2, with spring return	Ø 6x1	Ø 6x1	230 V AC	230 V	230 V		with detent		5794005280

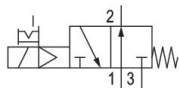
Dimensions



- 1) Port 1 2) Port 2 3) Port 3, core Ø for M5 4) Manual override 5) Pocket hole 6 mm deep for 3.5 self-tapping screw 6) Mounting space for name plate 7) Coil can be rotated at 180° intervals 8) LED

3/2-directional valve, Series 579

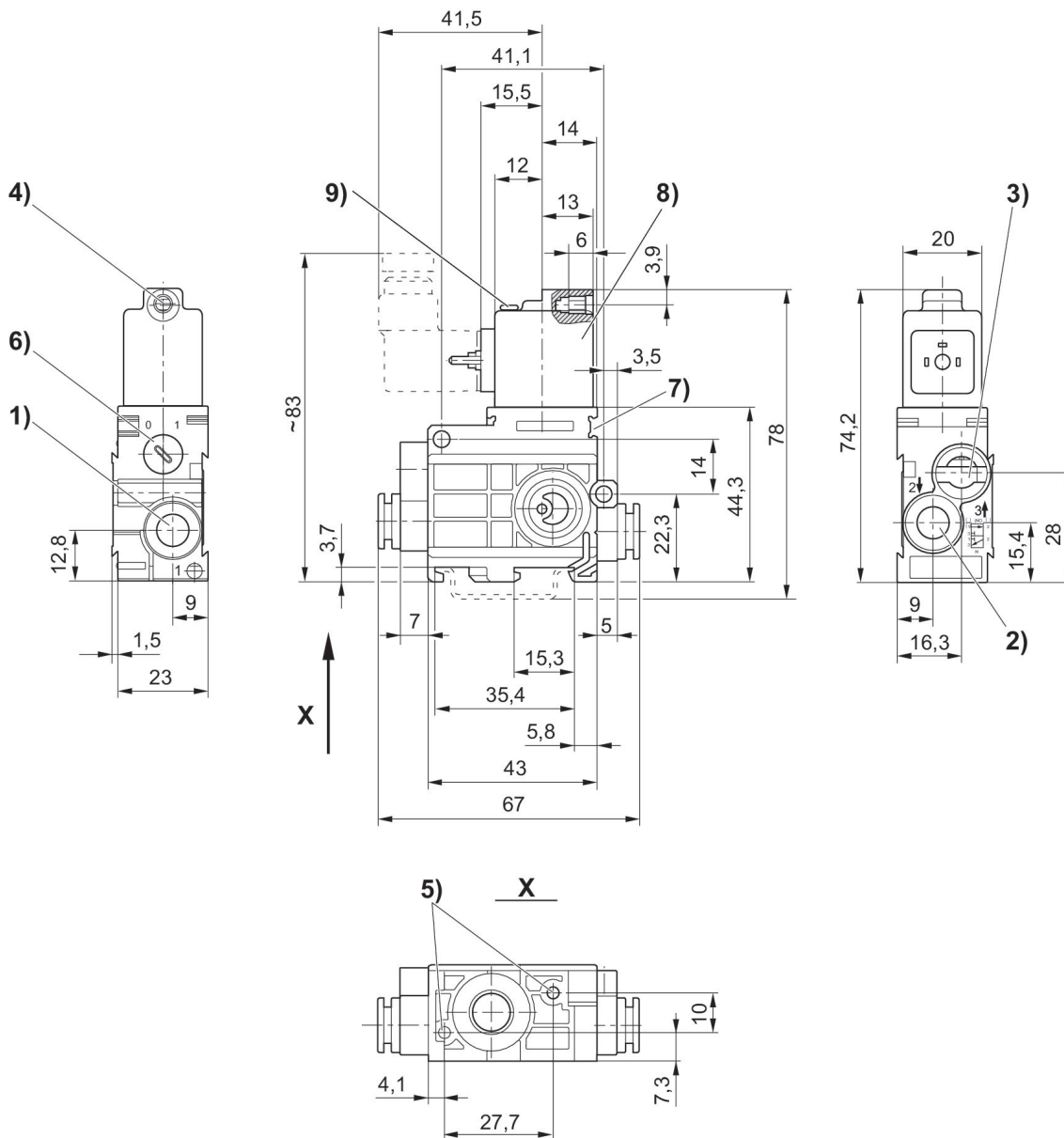
Plug
ISO 15217, form C
push-in fitting
Electrically
NO



Version	Type	Switching principle	Compressed air connection input	Compressed air connection output	Operational voltage DC	Operational voltage AC at 50 Hz	Operational voltage AC at 60 Hz	Voltage tolerance DC	Pilot	Manual override	LED	Part No.
NO	Single valve	3/2, with spring return	Ø 6x1	Ø 6x1	12 V DC			-10% / +10%	Internal	with detent		5794410210
NO	Single valve	3/2, with spring return	Ø 6x1	Ø 6x1	24 V DC			-10% / +10%	Internal	with detent		5794410220
NO	Single valve	3/2, with spring return	Ø 6x1	Ø 6x1	24 V DC			-10% / +10%	Internal	with detent	Red	5794410620
NO	Single valve	3/2, with spring return	Ø 6x1	Ø 6x1	24 V AC	24 V	24 V		Internal	with detent		5794415220
NO	Single valve	3/2, with spring return	Ø 6x1	Ø 6x1	110 V AC	110 V	110 V		Internal	with detent		5794415270
NO	Single valve	3/2, with spring return	Ø 6x1	Ø 6x1	230 V AC	230 V	230 V		Internal	with detent		5794415280
NO	Single valve	3/2, with spring return	Ø 6x1	Ø 6x1	230 V AC	230 V	230 V		Internal	with detent	Red	5794415680
NO	Single valve	3/2, with spring return	Ø 8x1	Ø 8x1	12 V DC			-10% / +10%	Internal	with detent		5794610210
NO	Single valve	3/2, with spring return	Ø 8x1	Ø 8x1	24 V DC			-10% / +10%	Internal	with detent		5794610220
NO	Single valve	3/2, with spring return	Ø 8x1	Ø 8x1	24 V DC			-10% / +10%	Internal	with detent	Red	5794610620
NO	Single valve	3/2, with spring return	Ø 8x1	Ø 8x1	24 V AC	24 V	24 V		Internal	with detent		5794615220
NO	Single valve	3/2, with spring return	Ø 8x1	Ø 8x1	110 V AC	110 V	110 V		Internal	with detent		5794615270
NO	Single valve	3/2, with spring return	Ø 8x1	Ø 8x1	230 V AC	230 V	230 V		Internal	with detent		5794615280

Version	Type	Switching principle	Compressed air connection input	Compressed air connection output	Operational voltage DC	Operational voltage AC at 50 Hz	Operational voltage AC at 60 Hz	Voltage tolerance DC	Pilot	Manual override	LED	Part No.
NO	Single valve	3/2, with spring return	Ø 8x1	Ø 8x1	230 V AC	230 V	230 V		Internal	with detent	Red	5794615680

Dimensions



1) Port 1 2) Port 2 3) Port 3, exhaust air must not be throttled 4) Core Ø for M5 5) Pocket hole 6 mm deep for 3.5 self-tapping screw 6) Manual override 7) Mounting space for name plate 8) Coil can be rotated at 180° intervals 9) LED

3/2-directional valve, Series 579

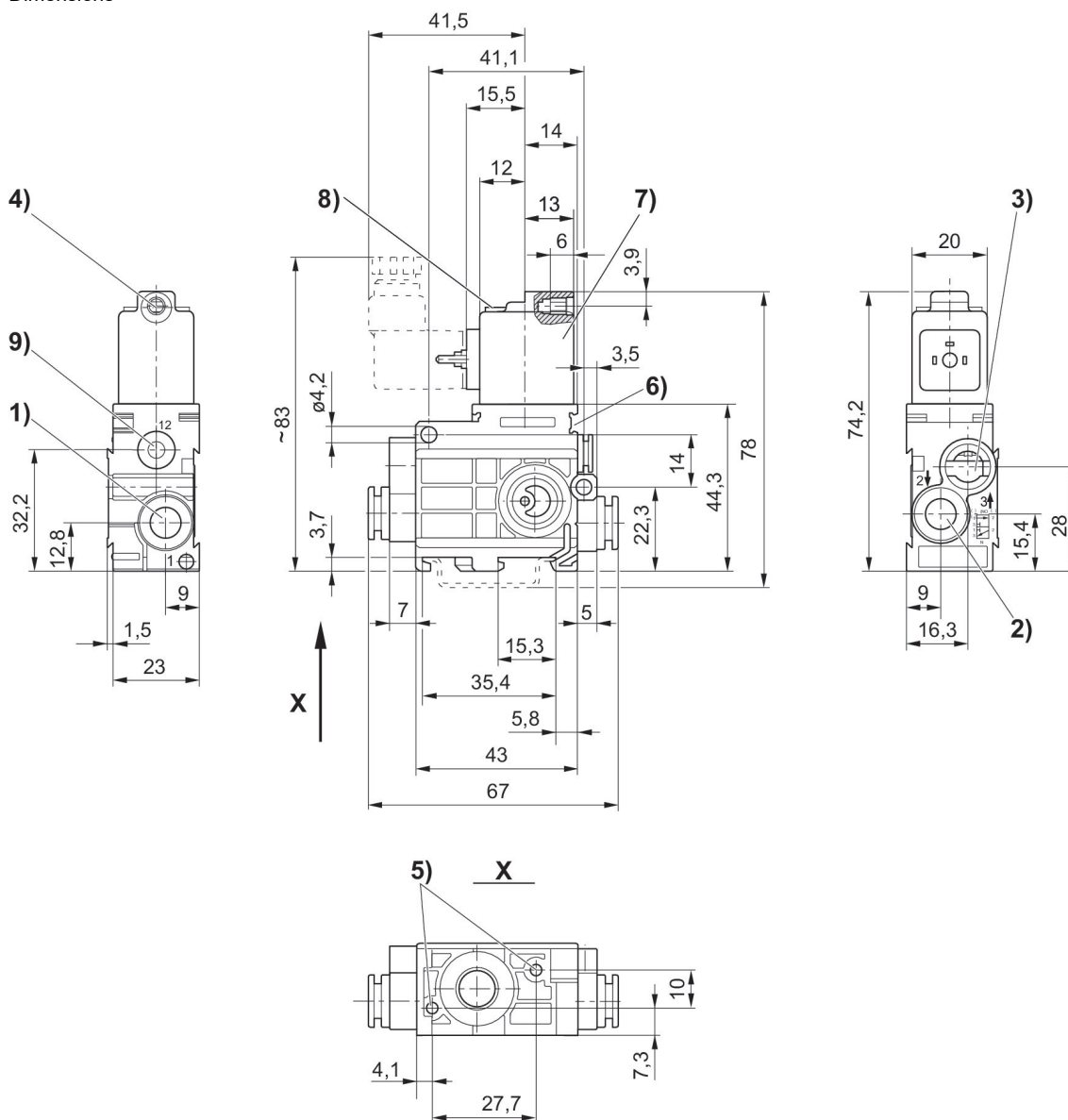
Plug
ISO 15217, form C
push-in fitting
Electrically
NO



Version	Type	Switching principle	Compressed air connection input	Compressed air connection output	Operational voltage DC	Operational voltage AC at 50 Hz	Operational voltage AC at 60 Hz	Voltage tolerance DC	Min. control pressure [bar]	Max. control pressure [bar]	Pilot	LED	Part No.
NO	Single valve	3/2, with spring return	Ø 6x1	Ø 6x1	12 V DC			-10% / +10%	2	8	External		5794420210
NO	Single valve	3/2, with spring return	Ø 6x1	Ø 6x1	24 V DC			-10% / +10%	2	8	External		5794420220
NO	Single valve	3/2, with spring return	Ø 6x1	Ø 6x1	12 V DC			-10% / +10%	2	8	External	Red	5794420620
NO	Single valve	3/2, with spring return	Ø 6x1	Ø 6x1	24 V AC	24 V	24 V		2	8	External		5794425220
NO	Single valve	3/2, with spring return	Ø 6x1	Ø 6x1	110 V AC	110 V	110 V		2	8	External		5794425270
NO	Single valve	3/2, with spring return	Ø 6x1	Ø 6x1	230 V AC	230 V	230 V		2	8	External		5794425280
NO	Single valve	3/2, with spring return	Ø 6x1	Ø 6x1	230 V AC	230 V	230 V		2	8	External	Red	5794425680
NO	Single valve	3/2, with spring return	Ø 8x1	Ø 8x1	12 V DC			-10% / +10%	2	8	External		5794620210
NO	Single valve	3/2, with spring return	Ø 8x1	Ø 8x1	24 V DC			-10% / +10%	2	8	External		5794620220
NO	Single valve	3/2, with spring return	Ø 8x1	Ø 8x1	24 V DC			-10% / +10%	2	8	External	Red	5794620620

Version	Type	Switching principle	Compressed air connection input	Compressed air connection output	Operational voltage DC	Operational voltage AC at 50 Hz	Operational voltage AC at 60 Hz	Voltage tolerance DC	Min. control pressure [bar]	Max. control pressure [bar]	Pilot	LED	Part No.
NO	Single valve	3/2, with spring return	Ø 8x1	Ø 8x1	24 V AC	24 V	24 V		2	8	External		5794625220
NO	Single valve	3/2, with spring return	Ø 8x1	Ø 8x1	110 V AC	110 V	110 V		2	8	External		5794625270
NO	Single valve	3/2, with spring return	Ø 8x1	Ø 8x1	230 V AC	230 V	230 V		2	8	External		5794625280
NO	Single valve	3/2, with spring return	Ø 8x1	Ø 8x1	230 V AC	230 V	230 V		2	8	External	Red	5794625680

Dimensions



- 1) Port 1 2) Port 2 3) Port 3, exhaust air must not be throttled 4) Core Ø for M5 5) Pocket hole 6 mm deep for 3.5 self-tapping screw 6) Mounting space for name plate 7) Coil can be rotated at 180° intervals 8) LED 9) Port 12

3/2-directional valve, Series 579

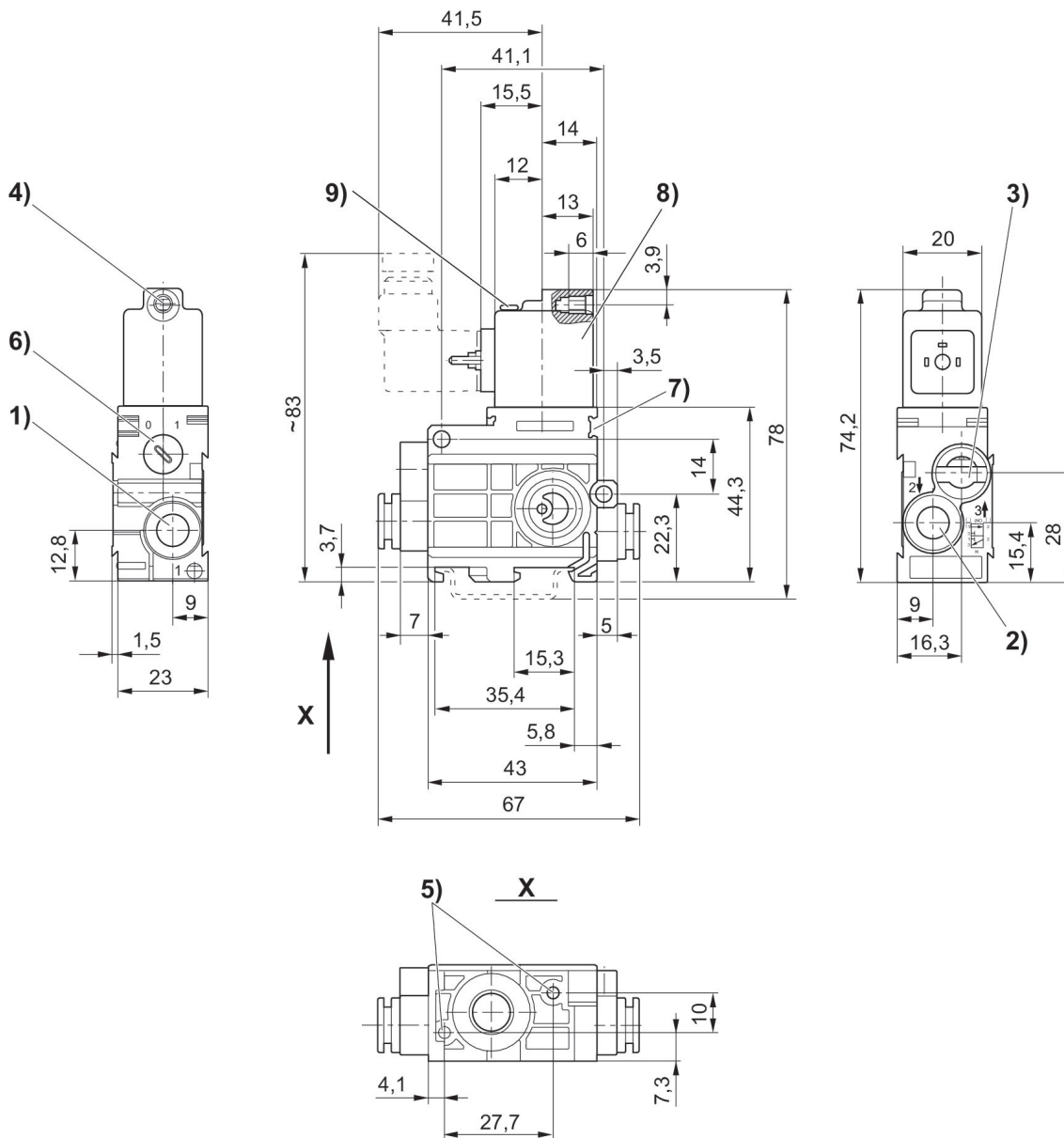
Plug
ISO 15217, form C
push-in fitting
Electrically
NC



Version	Type	Switching principle	Compressed air connection input	Compressed air connection output	Operational voltage DC	Operational voltage AC at 50 Hz	Operational voltage AC at 60 Hz	Voltage tolerance DC	Pilot	Manual override	LED	Part No.
NC	Single valve	3/2, with spring return	Ø 6x1	Ø 6x1	12 V DC			-10% / +10%	Internal	with detent		5794400210
NC	Single valve	3/2, with spring return	Ø 6x1	Ø 6x1	24 V DC			-10% / +10%	Internal	with detent		5794400220
NC	Single valve	3/2, with spring return	Ø 6x1	Ø 6x1	24 V DC			-10% / +10%	Internal	with detent	Red	5794400620
NC	Single valve	3/2, with spring return	Ø 6x1	Ø 6x1	24 V AC	24 V	24 V		Internal	with detent		5794405220
NC	Single valve	3/2, with spring return	Ø 6x1	Ø 6x1	110 V AC	110 V	110 V		Internal	with detent		5794405270
NC	Single valve	3/2, with spring return	Ø 6x1	Ø 6x1	230 V AC	230 V	230 V		Internal	with detent		5794405280
NC	Single valve	3/2, with spring return	Ø 6x1	Ø 6x1	230 V AC	230 V	230 V		Internal	with detent	Red	5794405680
NC	Single valve	3/2, with spring return	Ø 8x1	Ø 8x1	12 V DC			-10% / +10%	Internal	with detent		5794600210
NC	Single valve	3/2, with spring return	Ø 8x1	Ø 8x1	24 V DC			-10% / +10%	Internal	with detent		5794600220
NC	Single valve	3/2, with spring return	Ø 8x1	Ø 8x1	24 V DC			-10% / +10%	Internal	with detent	Red	5794600620
NC	Single valve	3/2, with spring return	Ø 8x1	Ø 8x1	24 V AC	24 V	24 V		Internal	with detent		5794605220
NC	Single valve	3/2, with spring return	Ø 8x1	Ø 8x1	110 V AC	110 V	110 V		Internal	with detent		5794605270
NC	Single valve	3/2, with spring return	Ø 8x1	Ø 8x1	230 V AC	230 V	230 V		Internal	with detent		5794605280

Version	Type	Switching principle	Compressed air connection input	Compressed air connection output	Operational voltage DC	Operational voltage AC at 50 Hz	Operational voltage AC at 60 Hz	Voltage tolerance DC	Pilot	Manual override	LED	Part No.
NC	Single valve	3/2, with spring return	Ø 8x1	Ø 8x1	230 V AC	230 V	230 V		Internal	with detent	Red	5794605680

Dimensions



1) Port 1 2) Port 2 3) Port 3, exhaust air must not be throttled 4) Core Ø for M5 5) Pocket hole 6 mm deep for 3.5 self-tapping screw 6) Manual override 7) Mounting space for name plate 8) Coil can be rotated at 180° intervals 9) LED

3/2-directional valve, Series 579

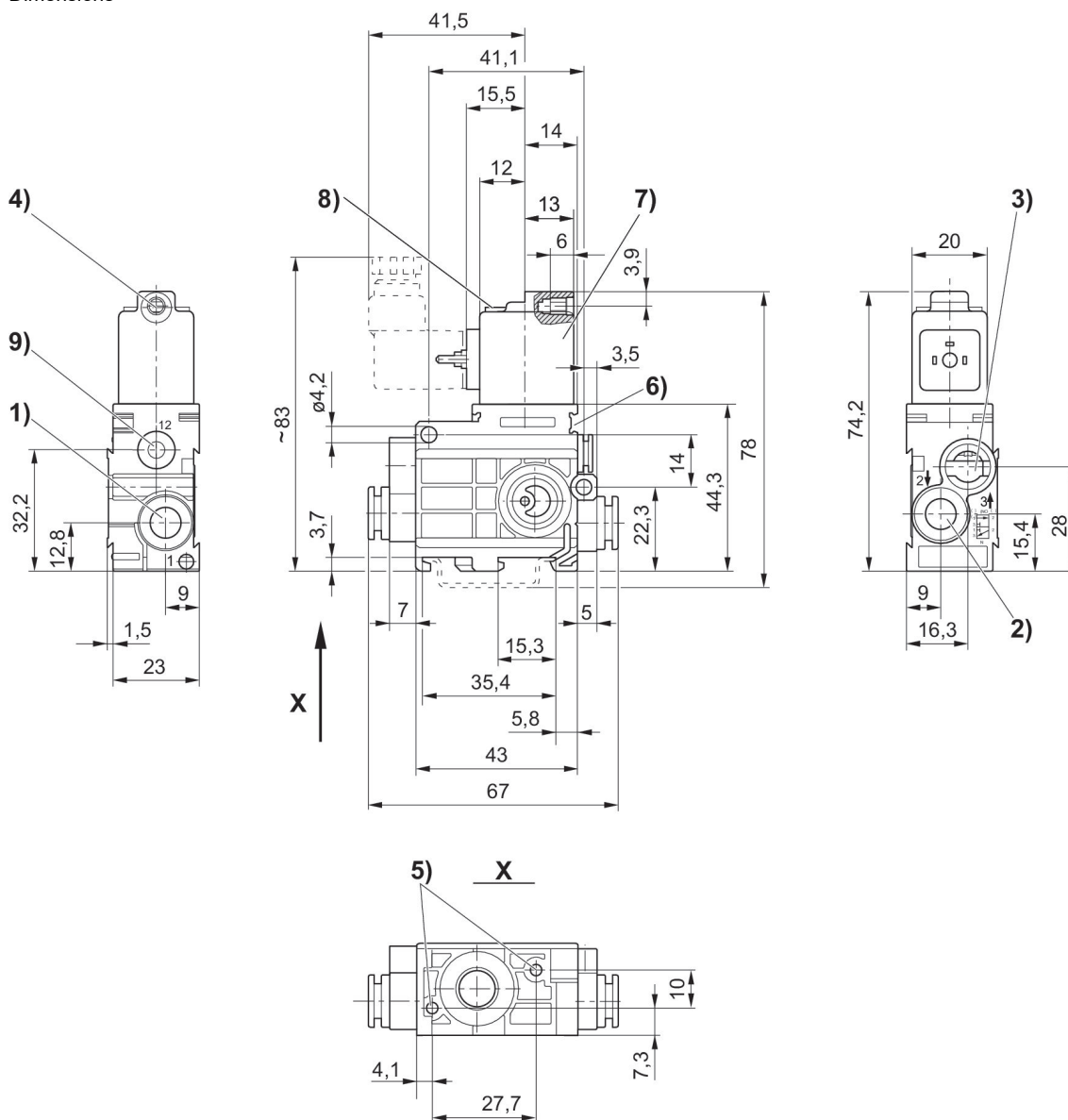
Plug
ISO 15217, form C
push-in fitting
Electrically
NC



Version	Type	Switching principle	Compressed air connection input	Compressed air connection output	Operational voltage DC	Operational voltage AC at 50 Hz	Operational voltage AC at 60 Hz	Voltage tolerance DC	Min. control pressure [bar]	Max. control pressure [bar]	Pilot	LED	Part No.
NC	Single valve	3/2, with spring return	Ø 6x1	Ø 6x1	24 V AC	24 V	24 V		2	8	External		5794475220
NC	Single valve	3/2, with spring return	Ø 6x1	Ø 6x1	110 V AC	110 V	110 V		2	8	External		5794475270
NC	Single valve	3/2, with spring return	Ø 6x1	Ø 6x1	230 V AC	230 V	230 V		2	8	External		5794475280
NC	Single valve	3/2, with spring return	Ø 6x1	Ø 6x1	230 V AC	230 V	230 V		2	8	External	Red	5794475680
NC	Single valve	3/2, with spring return	Ø 6x1	Ø 6x1	12 V DC			-10% / +10%	2	8	External		5794470210
NC	Single valve	3/2, with spring return	Ø 6x1	Ø 6x1	24 V DC			-10% / +10%	2	8	External	Red	5794470620
NC	Single valve	3/2, with spring return	Ø 6x1	Ø 6x1	24 V DC			-10% / +10%	2	8	External		5794470220
NC	Single valve	3/2, with spring return	Ø 8x1	Ø 8x1	12 V DC			-10% / +10%	2	8	External		5794670210
NC	Single valve	3/2, with spring return	Ø 8x1	Ø 8x1	24 V DC			-10% / +10%	2	8	External		5794670220
NC	Single valve	3/2, with spring return	Ø 8x1	Ø 8x1	24 V DC			-10% / +10%	2	8	External	Red	5794670620

Version	Type	Switching principle	Compressed air connection input	Compressed air connection output	Operational voltage DC	Operational voltage AC at 50 Hz	Operational voltage AC at 60 Hz	Voltage tolerance DC	Min. control pressure [bar]	Max. control pressure [bar]	Pilot	LED	Part No.
NC	Single valve	3/2, with spring return	Ø 8x1	Ø 8x1	24 V DC	24 V	24 V		2	8	External		5794675220
NC	Single valve	3/2, with spring return	Ø 8x1	Ø 8x1	110 V DC	110 V	110 V		2	8	External		5794675270
NC	Single valve	3/2, with spring return	Ø 8x1	Ø 8x1	230 V AC	230 V	230 V		2	8	External		5794675280
NC	Single valve	3/2, with spring return	Ø 8x1	Ø 8x1	230 V AC	230 V	230 V		2	8	External	Red	5794675680

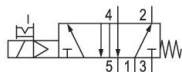
Dimensions



- 1) Port 1 2) Port 2 3) Port 3, exhaust air must not be throttled 4) Core Ø for M5 5) Pocket hole 6 mm deep for 3.5 self-tapping screw 6) Mounting space for name plate 7) Coil can be rotated at 180° intervals 8) LED 9) Port 12

5/2-directional valve, Series 579

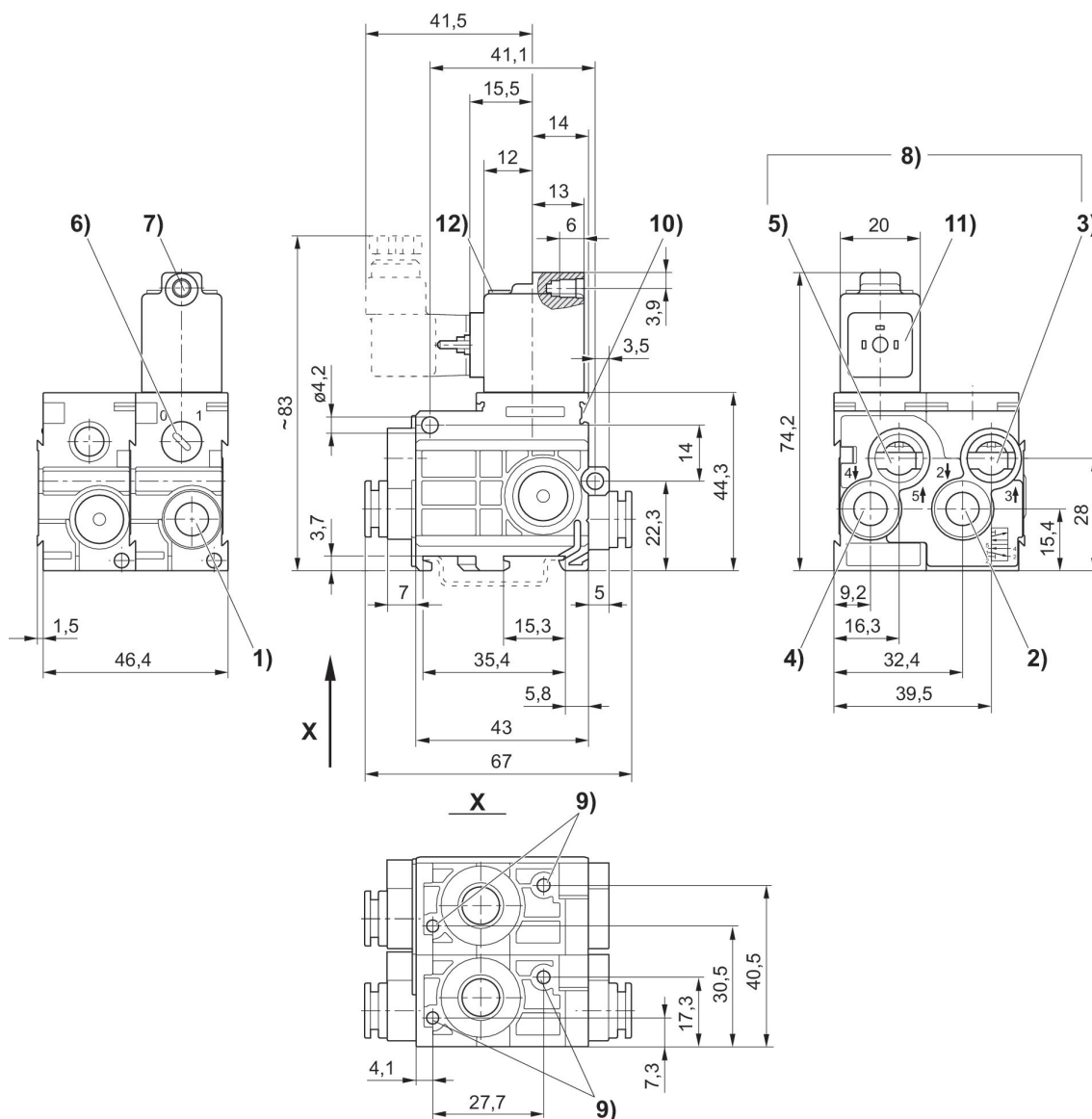
Plug
ISO 15217, form C
push-in fitting
Electrically



Type	Switching principle	Compressed air connection input	Compressed air connection output	Operational voltage DC	Operational voltage AC at 50 Hz	Operational voltage AC at 60 Hz	Voltage tolerance DC	Pilot	Manual override	LED	Part No.
Single valve	5/2, with spring return	Ø 6x1	Ø 6x1	12 V DC			-10% / +10%	Internal	with detent		5794700210
Single valve	5/2, with spring return	Ø 6x1	Ø 6x1	24 V DC			-10% / +10%	Internal	with detent		5794700220
Single valve	5/2, with spring return	Ø 6x1	Ø 6x1	24 V DC			-10% / +10%	Internal	with detent	Red	5794700620
Single valve	5/2, with spring return	Ø 6x1	Ø 6x1	24 V AC	24 V	24 V		Internal	with detent		5794705220
Single valve	5/2, with spring return	Ø 6x1	Ø 6x1	110 V AC	110 V	110 V		Internal	with detent		5794705270
Single valve	5/2, with spring return	Ø 6x1	Ø 6x1	230 V AC	230 V	230 V		Internal	with detent		5794705280
Single valve	5/2, with spring return	Ø 6x1	Ø 6x1	230 V AC	230 V	230 V		Internal	with detent	Red	5794705680
Single valve	5/2, with spring return	Ø 8x1	Ø 8x1	12 V DC			-10% / +10%	Internal	with detent		5794900210
Single valve	5/2, with spring return	Ø 8x1	Ø 8x1	24 V DC			-10% / +10%	Internal	with detent		5794900220
Single valve	5/2, with spring return	Ø 8x1	Ø 8x1	24 V DC			-10% / +10%	Internal	with detent	Red	5794900620
Single valve	5/2, with spring return	Ø 8x1	Ø 8x1	24 V AC	24 V	24 V		Internal	with detent		5794905220
Single valve	5/2, with spring return	Ø 8x1	Ø 8x1	110 V AC	110 V	110 V		Internal	with detent		5794905270
Single valve	5/2, with spring return	Ø 8x1	Ø 8x1	230 V AC	230 V	230 V		Internal	with detent		5794905280

Type	Switching principle	Compressed air connection input	Compressed air connection output	Operational voltage DC	Operational voltage AC at 50 Hz	Operational voltage AC at 60 Hz	Voltage tolerance DC	Pilot	Manual override	LED	Part No.
Single valve	5/2, with spring return	Ø 8x1	Ø 8x1	230 V AC	230 V	230 V		Internal	with detent	Red	5794905680

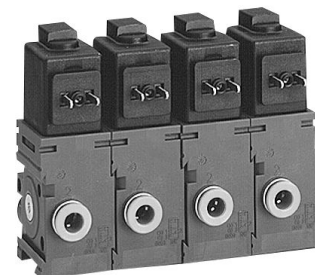
Dimensions



1) port 1 2) port 2 3) port 3 4) port 4 5) port 5 6) manual override 7) core Ø for M 5 8) exhaust air must not be throttled 9) pocket hole 6 mm deep for 3.5 self-tapping screw 10) mounting space for name plate 11) coil can be rotated at 180° intervals

3/2-directional valve, Series 579

50 l/min
Plug
ISO 15217, form C
push-in fitting
Electrically
NC

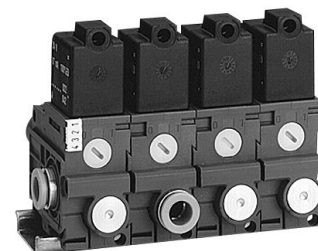


Version	Type	Switching principle	Compressed air connection input	Compressed air connection output	Operational voltage DC	Operational voltage AC at 50 Hz	Operational voltage AC at 60 Hz	Voltage tolerance DC	Manual override	LED	Part No.
NC	Inlet valve	3/2, with spring return	Ø 8x1	Ø 6x1	12 V DC			-10% / +10%	with detent		5790200210
NC	Inlet valve	3/2, with spring return	Ø 8x1	Ø 6x1	24 V DC			-10% / +10%	with detent		5790200220
NC	Inlet valve	3/2, with spring return	Ø 8x1	Ø 6x1	24 V DC			-10% / +10%	with detent	Red	5790200620
NC	Inlet valve	3/2, with spring return	Ø 8x1	Ø 6x1	24 V AC	24 V	24 V		with detent		5790205220
NC	Inlet valve	3/2, with spring return	Ø 8x1	Ø 6x1	110 V AC	110 V	110 V		with detent		5790205270
NC	Inlet valve	3/2, with spring return	Ø 8x1	Ø 6x1	230 V AC	230 V	230 V		with detent		5790205280
NC	Inlet valve	3/2, with spring return	Ø 8x1	Ø 6x1	230 V AC	230 V	230 V		with detent	Red	5790205680
NC	Stacking valve	3/2, with spring return		Ø 6x1	12 V DC			-10% / +10%	with detent		5791200210
NC	Stacking valve	3/2, with spring return		Ø 6x1	24 V DC			-10% / +10%	with detent		5791200220
NC	Stacking valve	3/2, with spring return		Ø 6x1	24 V DC			-10% / +10%	with detent	Red	5791200620
NC	Stacking valve	3/2, with spring return		Ø 6x1	24 V AC	24 V	24 V		with detent		5791205220
NC	Stacking valve	3/2, with spring return		Ø 6x1	110 V AC	110 V	110 V		with detent		5791205270
NC	Stacking valve	3/2, with spring return		Ø 6x1	230 V AC	230 V	230 V		with detent		5791205280

Version	Type	Switching principle	Compressed air connection input	Compressed air connection output	Operational voltage DC	Operational voltage AC at 50 Hz	Operational voltage AC at 60 Hz	Voltage tolerance DC	Manual override	LED	Part No.
NC	Stacking valve	3/2, with spring return		Ø 6x1	230 V AC	230 V	230 V		with detent	Red	5791205680
NC	End valve	3/2, with spring return		Ø 6x1	12 V DC			-10% / +10%	with detent		5792200210
NC	End valve	3/2, with spring return		Ø 6x1	24 V DC			-10% / +10%	with detent		5792200220
NC	End valve	3/2, with spring return		Ø 6x1	24 V DC			-10% / +10%	with detent	Red	5792200620
NC	End valve	3/2, with spring return		Ø 6x1	24 V AC	24 V	24 V		with detent		5792205220
NC	End valve	3/2, with spring return		Ø 6x1	110 V AC	110 V	110 V		with detent		5792205270
NC	End valve	3/2, with spring return		Ø 6x1	230 V AC	230 V	230 V		with detent		5792205280
NC	End valve	3/2, with spring return		Ø 6x1	230 V AC	230 V	230 V		with detent	Red	5792205680

3/2-directional valve, Series 579

Plug
ISO 15217, form C
push-in fitting
Electrically
Ø 8x1
NC



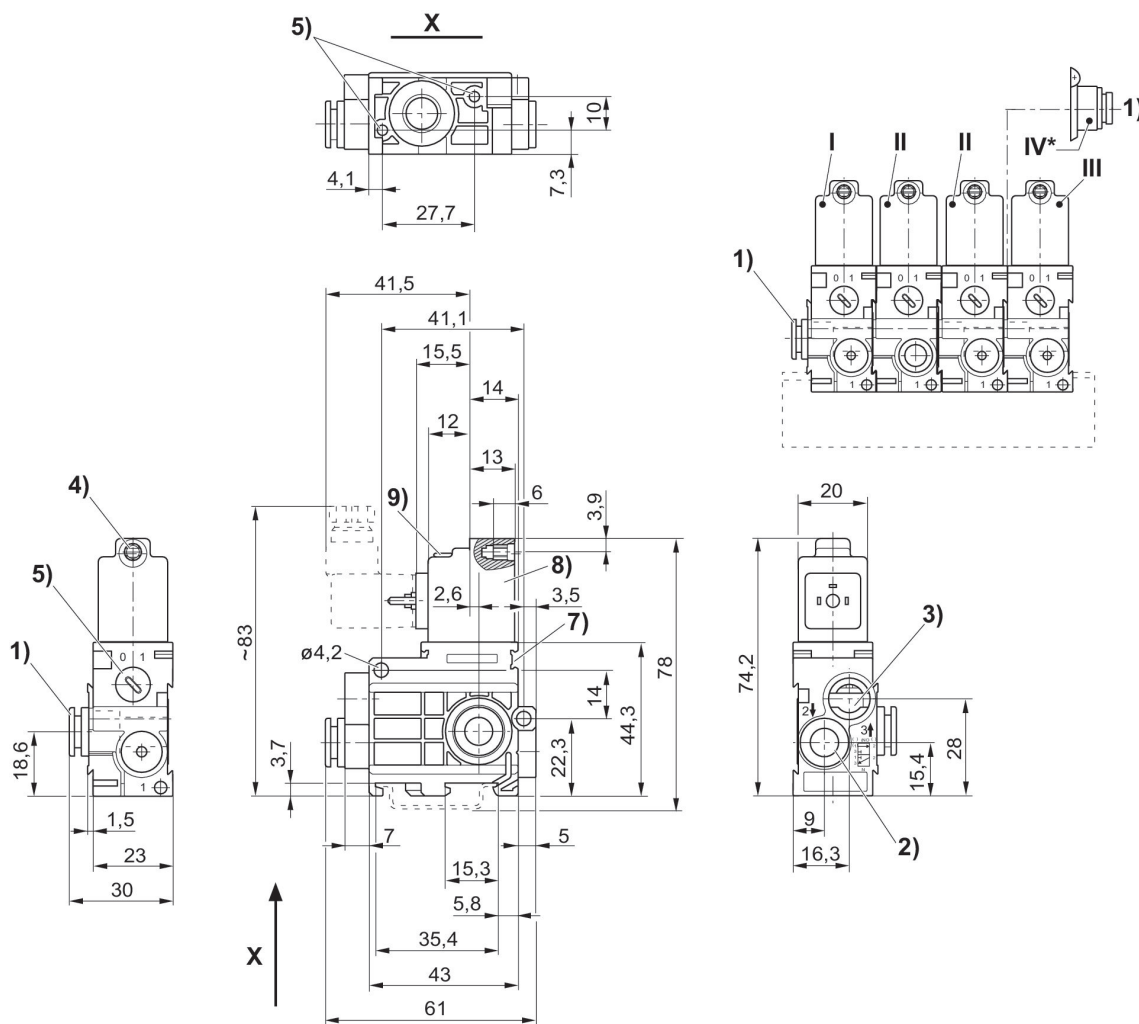
Version	Type	Switching principle	Compressed air connection input	Compressed air connection output	Operational voltage DC	Operational voltage AC at 50 Hz	Operational voltage AC at 60 Hz	Voltage tolerance DC	Pilot	Manual override	LED	Part No.
NC	Inlet valve	3/2, with spring return	Ø 8x1	Ø 6x1	12 V DC			-10% / +10%	Internal	with detent		5790500210
NC	Inlet valve	3/2, with spring return	Ø 8x1	Ø 6x1	24 V DC			-10% / +10%	Internal	with detent		5790500220
NC	Inlet valve	3/2, with spring return	Ø 8x1	Ø 6x1	24 V DC			-10% / +10%	Internal	with detent	Red	5790500620
NC	Inlet valve	3/2, with spring return	Ø 8x1	Ø 6x1	24 V AC	24 V	24 V		Internal	with detent		5790505220
NC	Inlet valve	3/2, with spring return	Ø 8x1	Ø 6x1	110 V AC	110 V	110 V		Internal	with detent		5790505270
NC	Inlet valve	3/2, with spring return	Ø 8x1	Ø 6x1	230 V AC	230 V	230 V		Internal	with detent		5790505280
NC	Inlet valve	3/2, with spring return	Ø 8x1	Ø 6x1	230 V AC	230 V	230 V		Internal	with detent	Red	5790505680
NC	Stacking valve	3/2, with spring return		Ø 6x1	12 V DC			-10% / +10%	Internal	with detent		5791500210
NC	Stacking valve	3/2, with spring return		Ø 6x1	24 V DC			-10% / +10%	Internal	with detent		5791500220
NC	Stacking valve	3/2, with spring return		Ø 6x1	24 V DC			-10% / +10%	Internal	with detent	Red	5791500620
NC	Stacking valve	3/2, with spring return		Ø 6x1	24 V AC	24 V	24 V		Internal	with detent		5791505220
NC	Stacking valve	3/2, with spring return		Ø 6x1	110 V AC	110 V	110 V		Internal	with detent		5791505270
NC	Stacking valve	3/2, with spring return		Ø 6x1	230 V AC	230 V	230 V		Internal	with detent		5791505280

Version	Type	Switching principle	Compressed air connection input	Compressed air connection output	Operational voltage DC	Operational voltage AC at 50 Hz	Operational voltage AC at 60 Hz	Voltage tolerance DC	Pilot	Manual override	LED	Part No.
NC	Stacking valve	3/2, with spring return		Ø 6x1	230 V AC	230 V	230 V		Internal	with detent	Red	5791505680
NC	Stacking valve, additional pressure connection	3/2, with spring return	Ø 6x1	Ø 6x1	12 V DC			-10% / +10%	Internal	with detent		5796400210
NC	Stacking valve, additional pressure connection	3/2, with spring return	Ø 6x1	Ø 6x1	24 V DC			-10% / +10%	Internal	with detent		5796400220
NC	Stacking valve, additional pressure connection	3/2, with spring return	Ø 6x1	Ø 6x1	24 V DC			-10% / +10%	Internal	with detent	Red	5796400620
NC	Stacking valve, additional pressure connection	3/2, with spring return	Ø 6x1	Ø 6x1	24 V AC	24 V	24 V		Internal	with detent		5796405220
NC	Stacking valve, additional pressure connection	3/2, with spring return	Ø 6x1	Ø 6x1	110 V AC	110 V	110 V		Internal	with detent		5796405270
NC	Stacking valve, additional pressure connection	3/2, with spring return	Ø 6x1	Ø 6x1	230 V AC	230 V	230 V		Internal	with detent		5796405280
NC	Stacking valve, additional pressure connection	3/2, with spring return	Ø 6x1	Ø 6x1	230 V AC	230 V	230 V		Internal	with detent	Red	5796405680
NC	Stacking valve, additional pressure connection	3/2, with spring return	Ø 8x1	Ø 6x1	12 V DC			-10% / +10%	Internal	with detent		5796500210

Version	Type	Switching principle	Compressed air connection input	Compressed air connection output	Operational voltage DC	Operational voltage AC at 50 Hz	Operational voltage AC at 60 Hz	Voltage tolerance DC	Pilot	Manual override	LED	Part No.
NC	Stacking valve, additional pressure connection	3/2, with spring return	Ø 8x1	Ø 6x1	24 V DC			-10% / +10%	Internal	with detent		5796500220
NC	Stacking valve, additional pressure connection	3/2, with spring return	Ø 8x1	Ø 6x1	24 V DC			-10% / +10%	Internal	with detent	Red	5796500620
NC	Stacking valve, additional pressure connection	3/2, with spring return	Ø 8x1	Ø 6x1	24 V AC	24 V	24 V		Internal	with detent		5796505220
NC	Stacking valve, additional pressure connection	3/2, with spring return	Ø 8x1	Ø 6x1	110 V AC	110 V	110 V		Internal	with detent		5796505270
NC	Stacking valve, additional pressure connection	3/2, with spring return	Ø 8x1	Ø 6x1	230 V AC	230 V	230 V		Internal	with detent		5796505280
NC	Stacking valve, additional pressure connection	3/2, with spring return	Ø 8x1	Ø 6x1	230 V AC	230 V	230 V		Internal	with detent	Red	5796505680
NC	End valve	3/2, with spring return		Ø 6x1	12 V DC			-10% / +10%	Internal	with detent		5792500210
NC	End valve	3/2, with spring return		Ø 6x1	24 V DC			-10% / +10%	Internal	with detent		5792500220
NC	End valve	3/2, with spring return		Ø 6x1	24 V DC			-10% / +10%	Internal	with detent	Red	5792500620
NC	End valve	3/2, with spring return		Ø 6x1	24 V AC	24 V	24 V		Internal	with detent		5792505220
NC	End valve	3/2, with spring return		Ø 6x1	110 V AC	110 V	110 V		Internal	with detent		5792505270

Version	Type	Switching principle	Compressed air connection input	Compressed air connection output	Operational voltage DC	Operational voltage AC at 50 Hz	Operational voltage AC at 60 Hz	Voltage tolerance DC	Pilot	Manual override	LED	Part No.
NC	End valve	3/2, with spring return		Ø 6x1	230 V AC	230 V	230 V		Internal	with de-tent		5792505280
NC	End valve	3/2, with spring return		Ø 6x1	230 V AC	230 V	230 V		Internal	with de-tent	Red	5792505680

Dimensions



1) Port 1 2) Port 2 3) Port 3, exhaust air must not be throttled 4) Core Ø for M5 5) Manual override 6) Pocket hole 6 mm deep for 3.5 self-tapping screw 7) Mounting space for name plate 8) Coil can be rotated at 180° intervals 9) LED * Air conn. module (item IV) mounted onto stacking valve (item II) permits additional air supply from right hand side. End valve (item III) not required.
I = Inlet valve, II = Stacking valve, III = End valve

3/2-directional valve, Series 579

Plug
ISO 15217, form C
push-in fitting
Electrically
Ø 8x1
NC



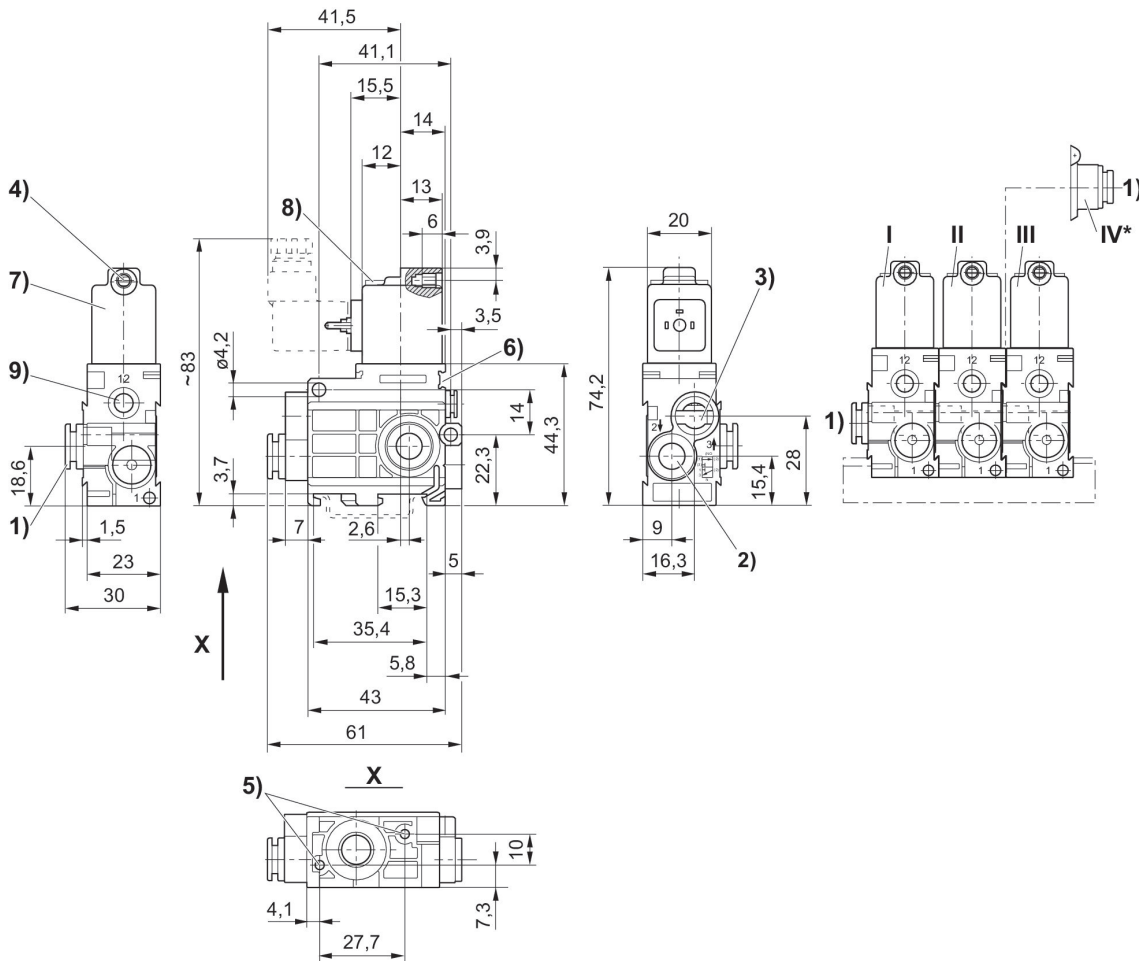
Version	Type	Switching principle	Compressed air connection input	Compressed air connection output	Operational voltage DC	Operational voltage AC at 50 Hz	Operational voltage AC at 60 Hz	Voltage tolerance DC	Min. control pressure [bar]	Max. control pressure [bar]	Pilot	LED	Part No.
NC	Inlet valve	3/2, with spring return	Ø 8x1	Ø 6x1	12 V DC			-10% / +10%	2	8	External		5790570210
NC	Inlet valve	3/2, with spring return	Ø 8x1	Ø 6x1	24 V DC			-10% / +10%	2	8	External		5790570220
NC	Inlet valve	3/2, with spring return	Ø 8x1	Ø 6x1	24 V DC			-10% / +10%	2	8	External	Red	5790570620
NC	Inlet valve	3/2, with spring return	Ø 8x1	Ø 6x1	24 V AC	24 V	24 V		2	8	External		5790575220
NC	Inlet valve	3/2, with spring return	Ø 8x1	Ø 6x1	110 V AC	110 V	110 V		2	8	External		5790575270
NC	Inlet valve	3/2, with spring return	Ø 8x1	Ø 6x1	230 V AC	230 V	230 V		2	8	External		5790575280
NC	Inlet valve	3/2, with spring return	Ø 8x1	Ø 6x1	230 V AC	230 V	230 V		2	8	External	Red	5790575680
NC	Stacking valve	3/2, with spring return		Ø 6x1	12 V DC			-10% / +10%	2	8	External		5791570210
NC	Stacking valve	3/2, with spring return		Ø 6x1	24 V DC			-10% / +10%	2	8	External		5791570220
NC	Stacking valve	3/2, with spring return		Ø 6x1	24 V DC			-10% / +10%	2	8	External	Red	5791570620

Version	Type	Switching principle	Compressed air connection input	Compressed air connection output	Operational voltage DC	Operational voltage AC at 50 Hz	Operational voltage AC at 60 Hz	Voltage tolerance DC	Min. control pressure [bar]	Max. control pressure [bar]	Pilot	LED	Part No.
NC	Stacking valve	3/2, with spring return		Ø 6x1	24 V AC	24 V	24 V		2	8	External		5791575220
NC	Stacking valve	3/2, with spring return		Ø 6x1	110 V AC	110 V	110 V		2	8	External		5791575270
NC	Stacking valve	3/2, with spring return		Ø 6x1	230 V AC	230 V	230 V		2	8	External		5791575280
NC	Stacking valve	3/2, with spring return		Ø 6x1	230 V AC	230 V	230 V		2	8	External	Red	5791575680
NC	Stacking valve, additional pressure connection	3/2, with spring return	Ø 6x1	Ø 6x1	12 V DC			-10% / +10%	2	8	External		5796470210
NC	Stacking valve, additional pressure connection	3/2, with spring return	Ø 6x1	Ø 6x1	24 V DC			-10% / +10%	2	8	External		5796470220
NC	Stacking valve, additional pressure connection	3/2, with spring return	Ø 6x1	Ø 6x1	24 V DC			-10% / +10%	2	8	External	Red	5796470620
NC	Stacking valve, additional pressure connection	3/2, with spring return	Ø 6x1	Ø 6x1	24 V AC	24 V	24 V		2	8	External		5796475220
NC	Stacking valve, additional pressure	3/2, with spring return	Ø 6x1	Ø 6x1	110 V AC	110 V	110 V		2	8	External		5796475270

Version	Type	Switching principle	Compressed air connection input	Compressed air connection output	Operational voltage DC	Operational voltage AC at 50 Hz	Operational voltage AC at 60 Hz	Voltage tolerance DC	Min. control pressure [bar]	Max. control pressure [bar]	Pilot	LED	Part No.
	connection												
NC	Stacking valve, additional pressure connection	3/2, with spring return	Ø 6x1	Ø 6x1	230 V AC	230 V	230 V		2	8	External		5796475280
NC	Stacking valve, additional pressure connection	3/2, with spring return	Ø 6x1	Ø 6x1	230 V AC	230 V	230 V		2	8	External	Red	5796475680
NC	Stacking valve, additional pressure connection	3/2, with spring return	Ø 8x1	Ø 6x1	12 V DC			-10% / +10%	2	8	External		5796570210
NC	Stacking valve, additional pressure connection	3/2, with spring return	Ø 8x1	Ø 6x1	24 V DC			-10% / +10%	2	8	External		5796570220
NC	Stacking valve, additional pressure connection	3/2, with spring return	Ø 8x1	Ø 6x1	24 V DC			-10% / +10%	2	8	External	Red	5796570620
NC	Stacking valve, additional pressure connection	3/2, with spring return	Ø 8x1	Ø 6x1	24 V AC	24 V	24 V		2	8	External		5796575220
NC	Stacking valve, additional	3/2, with spring return	Ø 8x1	Ø 6x1	110 V AC	110 V	110 V		2	8	External		5796575270

Version	Type	Switching principle	Compressed air connection input	Compressed air connection output	Operational voltage DC	Operational voltage AC at 50 Hz	Operational voltage AC at 60 Hz	Voltage tolerance DC	Min. control pressure [bar]	Max. control pressure [bar]	Pilot	LED	Part No.
	pressure connection												
NC	Stacking valve, additional pressure connection	3/2, with spring return	Ø 8x1	Ø 6x1	230 V AC	230 V	230 V		2	8	External		5796575280
NC	Stacking valve, additional pressure connection	3/2, with spring return	Ø 8x1	Ø 6x1	230 V AC	230 V	230 V		2	8	External	Red	5796575680
NC	End valve	3/2, with spring return		Ø 6x1	12 V DC			-10% / +10%	2	8	External		5792570210
NC	End valve	3/2, with spring return		Ø 6x1	24 V DC			-10% / +10%	2	8	External		5792570220
NC	End valve	3/2, with spring return		Ø 6x1	24 V DC			-10% / +10%	2	8	External	Red	5792570620
NC	End valve	3/2, with spring return		Ø 6x1	24 V AC	24 V	24 V		2	8	External		5792575220
NC	End valve	3/2, with spring return		Ø 6x1	110 V AC	110 V	110 V		2	8	External		5792575270
NC	End valve	3/2, with spring return		Ø 6x1	230 V AC	230 V	230 V		2	8	External		5792575280
NC	End valve	3/2, with spring return		Ø 6x1	230 V AC	230 V	230 V		2	8	External	Red	5792575680

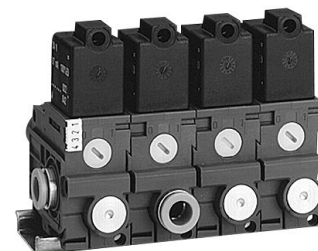
Dimensions



1) Port 1 2) Port 2 3) Port 3, exhaust air must not be throttled 4) Core Ø for M5 5) Pocket hole 6 mm deep for 3.5 self-tapping screw 6) Mounting space for name plate 7) Coil can be rotated at 180° intervals 8) LED 9) Port 12 * Air connection module (item IV) mounted onto stacking valve (item II) permits additional air supply from right hand side. End valve (item III) not required.
I = Inlet valve, II = Stacking valve, III = End valve

3/2-directional valve, Series 579

Plug
ISO 15217, form C
push-in fitting
Electrically
Ø 8x1
NO



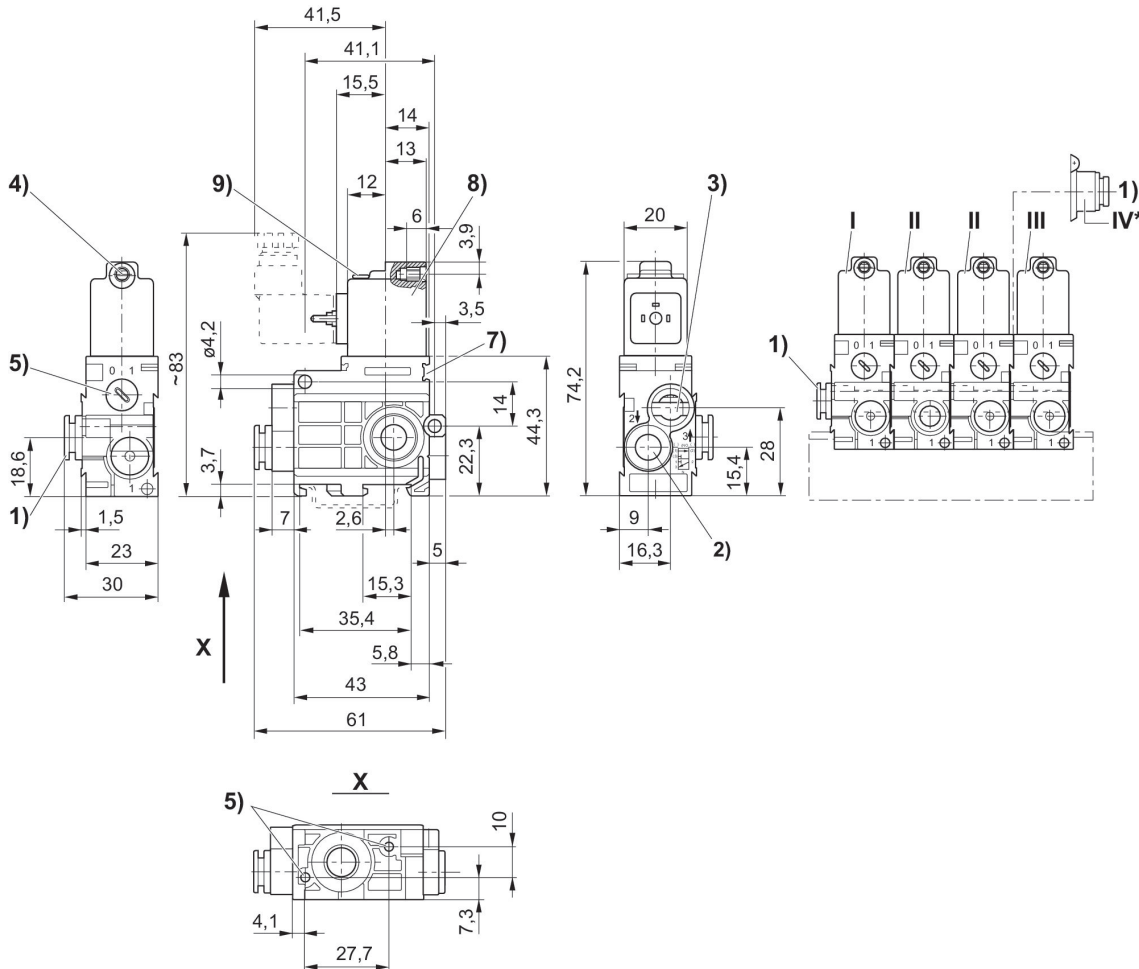
Version	Type	Switching principle	Compressed air connection input	Compressed air connection output	Operational voltage DC	Operational voltage AC at 50 Hz	Operational voltage AC at 60 Hz	Voltage tolerance DC	Pilot	Manual override	LED	Part No.
NO	Inlet valve	3/2, with spring return	Ø 8x1	Ø 6x1	12 V DC			-10% / +10%	Internal	with detent		5790510210
NO	Inlet valve	3/2, with spring return	Ø 8x1	Ø 6x1	24 V DC			-10% / +10%	Internal	with detent		5790510220
NO	Inlet valve	3/2, with spring return	Ø 8x1	Ø 6x1	24 V AC	24 V	24 V		Internal	with detent		5790515220
NO	Inlet valve	3/2, with spring return	Ø 8x1	Ø 6x1	24 V DC			-10% / +10%	Internal	with detent	Red	5790510620
NO	Inlet valve	3/2, with spring return	Ø 8x1	Ø 6x1	110 V AC	110 V	110 V		Internal	with detent		5790515270
NO	Inlet valve	3/2, with spring return	Ø 8x1	Ø 6x1	230 V AC	230 V	230 V		Internal	with detent		5790515280
NO	Inlet valve	3/2, with spring return	Ø 8x1	Ø 6x1	230 V AC	230 V	230 V		Internal	with detent	Red	5790515680
NO	Stacking valve	3/2, with spring return		Ø 6x1	12 V DC			-10% / +10%	Internal	with detent		5791510210
NO	Stacking valve	3/2, with spring return		Ø 6x1	24 V DC			-10% / +10%	Internal	with detent		5791510220
NO	Stacking valve	3/2, with spring return		Ø 6x1	24 V DC			-10% / +10%	Internal	with detent	Red	5791510620
NO	Stacking valve	3/2, with spring return		Ø 6x1	24 V AC	24 V	24 V		Internal	with detent		5791515220
NO	Stacking valve	3/2, with spring return		Ø 6x1	110 V AC	110 V	110 V		Internal	with detent		5791515270
NO	Stacking valve	3/2, with spring return		Ø 6x1	230 V AC	230 V	230 V		Internal	with detent		5791515280

Version	Type	Switching principle	Compressed air connection input	Compressed air connection output	Operational voltage DC	Operational voltage AC at 50 Hz	Operational voltage AC at 60 Hz	Voltage tolerance DC	Pilot	Manual override	LED	Part No.
NO	Stacking valve	3/2, with spring return		Ø 6x1	230 V AC	230 V	230 V		Internal	with detent	Red	5791515680
NO	Stacking valve, additional pressure connection	3/2, with spring return	Ø 6x1	Ø 6x1	12 V DC			-10% / +10%	Internal	with detent		5796410210
NO	Stacking valve, additional pressure connection	3/2, with spring return	Ø 6x1	Ø 6x1	24 V DC			-10% / +10%	Internal	with detent		5796410220
NO	Stacking valve, additional pressure connection	3/2, with spring return	Ø 6x1	Ø 6x1	24 V DC			-10% / +10%	Internal	with detent	Red	5796410620
NO	Stacking valve, additional pressure connection	3/2, with spring return	Ø 6x1	Ø 6x1	24 V AC	24 V	24 V		Internal	with detent		5796415220
NO	Stacking valve, additional pressure connection	3/2, with spring return	Ø 6x1	Ø 6x1	110 V AC	110 V	110 V		Internal	with detent		5796415270
NO	Stacking valve, additional pressure connection	3/2, with spring return	Ø 6x1	Ø 6x1	230 V AC	230 V	230 V		Internal	with detent		5796415280
NO	Stacking valve, additional pressure connection	3/2, with spring return	Ø 6x1	Ø 6x1	230 V AC	230 V	230 V		Internal	with detent	Red	5796415680
NO	Stacking valve, additional pressure connection	3/2, with spring return	Ø 8x1	Ø 6x1	12 V DC			-10% / +10%	Internal	with detent		5796510210

Version	Type	Switching principle	Compressed air connection input	Compressed air connection output	Operational voltage DC	Operational voltage AC at 50 Hz	Operational voltage AC at 60 Hz	Voltage tolerance DC	Pilot	Manual override	LED	Part No.
NO	Stacking valve, additional pressure connection	3/2, with spring return	Ø 8x1	Ø 6x1	24 V DC			-10% / +10%	Internal	with de-tent		5796510220
NO	Stacking valve, additional pressure connection	3/2, with spring return	Ø 8x1	Ø 6x1	24 V DC			-10% / +10%	Internal	with de-tent	Red	5796510620
NO	Stacking valve, additional pressure connection	3/2, with spring return	Ø 8x1	Ø 6x1	24 V AC	24 V	24 V		Internal	with de-tent		5796515220
NO	Stacking valve, additional pressure connection	3/2, with spring return	Ø 8x1	Ø 6x1	110 V AC	110 V	110 V		Internal	with de-tent		5796515270
NO	Stacking valve, additional pressure connection	3/2, with spring return	Ø 8x1	Ø 6x1	230 V AC	230 V	230 V		Internal	with de-tent		5796515280
NO	Stacking valve, additional pressure connection	3/2, with spring return	Ø 8x1	Ø 6x1	230 V AC	230 V	230 V		Internal	with de-tent	Red	5796515680
NO	End valve	3/2, with spring return		Ø 6x1	12 V DC			-10% / +10%	Internal	with de-tent		5792510210
NO	End valve	3/2, with spring return		Ø 6x1	24 V DC			-10% / +10%	Internal	with de-tent		5792510220
NO	End valve	3/2, with spring return		Ø 6x1	24 V DC			-10% / +10%	Internal	with de-tent	Red	5792510620
NO	End valve	3/2, with spring return		Ø 6x1	24 V AC	24 V	24 V		Internal	with de-tent		5792515220
NO	End valve	3/2, with spring return		Ø 6x1	110 V AC	110 V	110 V		Internal	with de-tent		5792515270

Version	Type	Switching principle	Compressed air connection input	Compressed air connection output	Operational voltage DC	Operational voltage AC at 50 Hz	Operational voltage AC at 60 Hz	Voltage tolerance DC	Pilot	Manual override	LED	Part No.
NO	End valve	3/2, with spring return		Ø 6x1	230 V AC	230 V	230 V		Internal	with detent		5792515280
NO	End valve	3/2, with spring return		Ø 6x1	230 V AC	230 V	230 V		Internal	with detent	Red	5792515680

Dimensions



1) Port 1 2) Port 2 3) Port 3, exhaust air must not be throttled 4) Core Ø for M5 5) Manual override 6) Pocket hole 6 mm deep for 3.5 self-tapping screw 7) Mounting space for name plate 8) Coil can be rotated at 180° intervals 9) LED * Air conn. module (item IV) mounted onto stacking valve (item II) permits additional air supply from right hand side. End valve (item III) not required.
I = Inlet valve, II = Stacking valve, III = End valve

3/2-directional valve, Series 579

Plug
ISO 15217, form C
push-in fitting
Electrically
Ø 8x1
NO



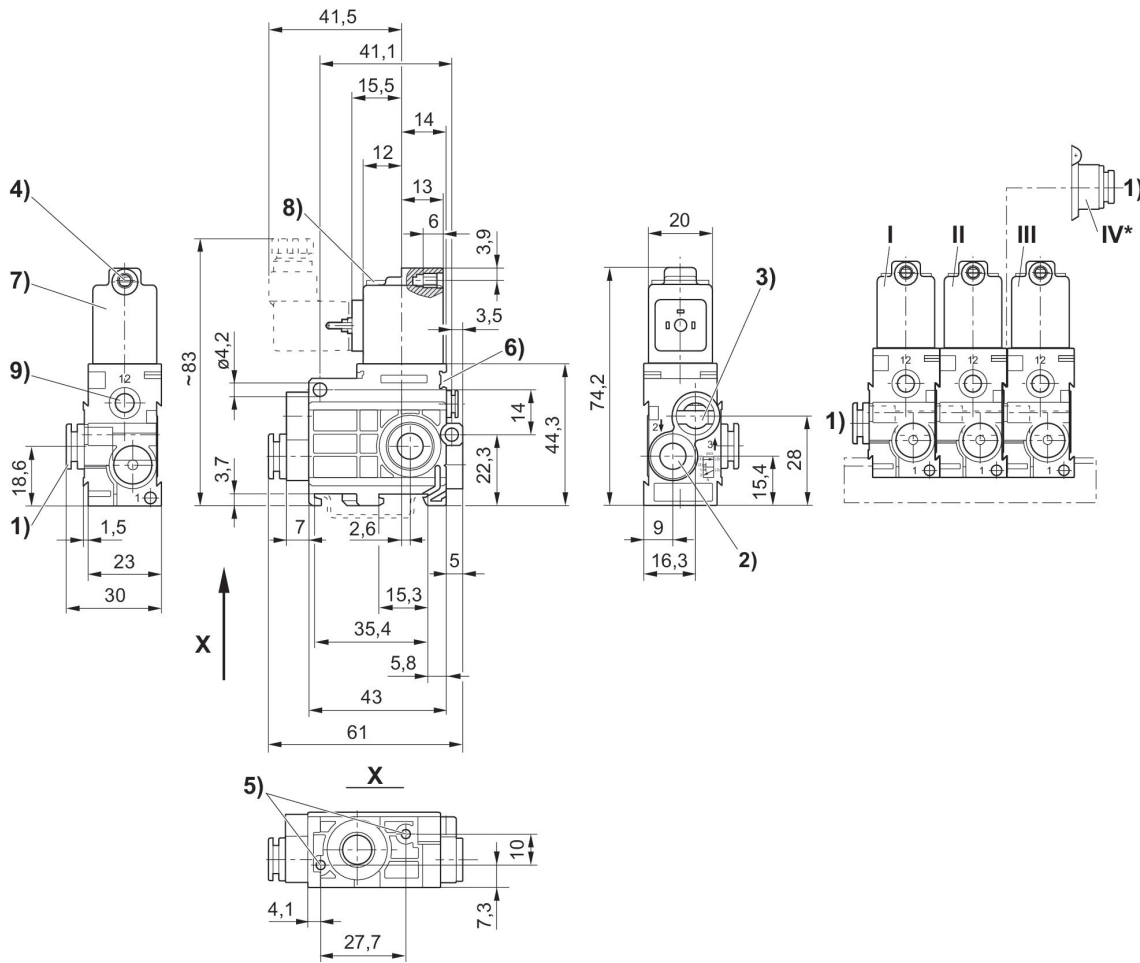
Version	Type	Switching principle	Compressed air connection input	Compressed air connection output	Operational voltage DC	Operational voltage AC at 50 Hz	Operational voltage AC at 60 Hz	Voltage tolerance DC	Min. control pressure [bar]	Max. control pressure [bar]	Pilot	LED	Part No.
NO	Inlet valve	3/2, with spring return	Ø 8x1	Ø 6x1	12 V DC			-10% / +10%	2	8	External		5790520210
NO	Inlet valve	3/2, with spring return	Ø 8x1	Ø 6x1	24 V DC			-10% / +10%	2	8	External		5790520220
NO	Inlet valve	3/2, with spring return	Ø 8x1	Ø 6x1	24 V DC			-10% / +10%	2	8	External	Red	5790520620
NO	Inlet valve	3/2, with spring return	Ø 8x1	Ø 6x1	24 V AC	24 V	24 V		2	8	External		5790525220
NO	Inlet valve	3/2, with spring return	Ø 8x1	Ø 6x1	110 V AC	110 V	110 V		2	8	External		5790525270
NO	Inlet valve	3/2, with spring return	Ø 8x1	Ø 6x1	230 V AC	230 V	230 V		2	8	External		5790525280
NO	Inlet valve	3/2, with spring return	Ø 8x1	Ø 6x1	230 V AC	230 V	230 V		2	8	External		5790525680
NO	Stacking valve	3/2, with spring return		Ø 6x1	12 V DC			-10% / +10%	2	8	External		5791520210
NO	Stacking valve	3/2, with spring return		Ø 6x1	24 V DC			-10% / +10%	2	8	External		5791520220
NO	Stacking valve	3/2, with spring return		Ø 6x1	24 V DC			-10% / +10%	2	8	External	Red	5791520620

Version	Type	Switching principle	Compressed air connection input	Compressed air connection output	Operational voltage DC	Operational voltage AC at 50 Hz	Operational voltage AC at 60 Hz	Voltage tolerance DC	Min. control pressure [bar]	Max. control pressure [bar]	Pilot	LED	Part No.
NO	Stacking valve	3/2, with spring return		Ø 6x1	24 V AC	24 V	24 V		2	8	External		5791525220
NO	Stacking valve	3/2, with spring return		Ø 6x1	110 V AC	110 V	110 V		2	8	External		5791525270
NO	Stacking valve	3/2, with spring return		Ø 6x1	230 V AC	230 V	230 V		2	8	External		5791525280
NO	Stacking valve	3/2, with spring return		Ø 6x1	230 V AC	230 V	230 V		2	8	External	Red	5791525680
NO	Stacking valve, additional pressure connection	3/2, with spring return	Ø 6x1	Ø 6x1	12 V DC			-10% / +10%	2	8	External		5796420210
NO	Stacking valve, additional pressure connection	3/2, with spring return	Ø 6x1	Ø 6x1	24 V DC			-10% / +10%	2	8	External		5796420220
NO	Stacking valve, additional pressure connection	3/2, with spring return	Ø 6x1	Ø 6x1	24 V DC			-10% / +10%	2	8	External	Red	5796420620
NO	Stacking valve, additional pressure connection	3/2, with spring return	Ø 6x1	Ø 6x1	24 V AC	24 V	24 V		2	8	External		5796425220
NO	Stacking valve, additional pressure	3/2, with spring return	Ø 6x1	Ø 6x1	110 V AC	110 V	110 V		2	8	External		5796425270

Version	Type	Switching principle	Compressed air connection input	Compressed air connection output	Operational voltage DC	Operational voltage AC at 50 Hz	Operational voltage AC at 60 Hz	Voltage tolerance DC	Min. control pressure [bar]	Max. control pressure [bar]	Pilot	LED	Part No.
	connection												
NO	Stacking valve, additional pressure connection	3/2, with spring return	Ø 6x1	Ø 6x1	230 V AC	230 V	230 V		2	8	External		5796425280
NO	Stacking valve, additional pressure connection	3/2, with spring return	Ø 6x1	Ø 6x1	230 V AC	230 V	230 V		2	8	External	Red	5796425680
NO	Stacking valve, additional pressure connection	3/2, with spring return	Ø 8x1	Ø 6x1	12 V DC			-10% / +10%	2	8	External		5796520210
NO	Stacking valve, additional pressure connection	3/2, with spring return	Ø 8x1	Ø 6x1	24 V DC			-10% / +10%	2	8	External		5796520220
NO	Stacking valve, additional pressure connection	3/2, with spring return	Ø 8x1	Ø 6x1	24 V DC			-10% / +10%	2	8	External	Red	5796520620
NO	Stacking valve, additional pressure connection	3/2, with spring return	Ø 8x1	Ø 6x1	24 V AC	24 V	24 V		2	8	External		5796525220
NO	Stacking valve, additional	3/2, with spring return	Ø 8x1	Ø 6x1	110 V AC	110 V	110 V		2	8	External		5796525270

Version	Type	Switching principle	Compressed air connection input	Compressed air connection output	Operational voltage DC	Operational voltage AC at 50 Hz	Operational voltage AC at 60 Hz	Voltage tolerance DC	Min. control pressure [bar]	Max. control pressure [bar]	Pilot	LED	Part No.
	pressure connection												
NO	Stacking valve, additional pressure connection	3/2, with spring return	Ø 8x1	Ø 6x1	230 V AC	230 V	230 V		2	8	External		5796525280
NO	Stacking valve, additional pressure connection	3/2, with spring return	Ø 8x1	Ø 6x1	230 V AC	230 V	230 V		2	8	External	Red	5796525680
NO	End valve	3/2, with spring return		Ø 6x1	12 V DC			-10% / +10%	2	8	External		5792520210
NO	End valve	3/2, with spring return		Ø 6x1	24 V DC			-10% / +10%	2	8	External		5792520220
NO	End valve	3/2, with spring return		Ø 6x1	24 V DC			-10% / +10%	2	8	External	Red	5792520620
NO	End valve	3/2, with spring return		Ø 6x1	24 V AC	24 V	24 V		2	8	External		5792525220
NO	End valve	3/2, with spring return		Ø 6x1	110 V AC	110 V	110 V		2	8	External		5792525270
NO	End valve	3/2, with spring return		Ø 6x1	230 V AC	230 V	230 V		2	8	External		5792525280
NO	End valve	3/2, with spring return		Ø 6x1	230 V AC	230 V	230 V		2	8	External	Red	5792525680

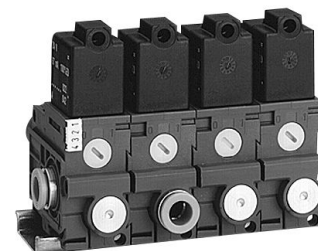
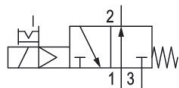
Dimensions



1) Port 1 2) Port 2 3) Port 3, exhaust air must not be throttled 4) Core Ø for M5 5) Pocket hole 6 mm deep for 3.5 self-tapping screw 6) Mounting space for name plate 7) Coil can be rotated at 180° intervals 8) LED 9) Port 12 * Air connection module (item IV) mounted onto stacking valve (item II) permits additional air supply from right hand side. End valve (item III) not required.
I = Inlet valve, II = Stacking valve, III = End valve

3/2-directional valve, Series 579

Plug
ISO 15217, form C
push-in fitting
Electrically
Ø 8x1
NO



Version	Type	Switching principle	Compressed air connection input	Compressed air connection output	Operational voltage DC	Operational voltage AC at 50 Hz	Operational voltage AC at 60 Hz	Voltage tolerance DC	Pilot	Manual override	LED	Part No.
NO	Inlet valve	3/2, with spring return	Ø 8x1	Ø 8x1	12 V DC			-10% / +10%	Internal	with detent		5790610210
NO	Inlet valve	3/2, with spring return	Ø 8x1	Ø 8x1	24 V AC	24 V	24 V		Internal	with detent		5790615220
NO	Inlet valve	3/2, with spring return	Ø 8x1	Ø 8x1	24 V DC			-10% / +10%	Internal	with detent		5790610220
NO	Inlet valve	3/2, with spring return	Ø 8x1	Ø 8x1	24 V DC			-10% / +10%	Internal	with detent	Red	5790610620
NO	Inlet valve	3/2, with spring return	Ø 8x1	Ø 8x1	110 V AC	110 V	110 V		Internal	with detent		5790615270
NO	Inlet valve	3/2, with spring return	Ø 8x1	Ø 8x1	230 V AC	230 V	230 V		Internal	with detent		5790615280
NO	Inlet valve	3/2, with spring return	Ø 8x1	Ø 8x1	230 V AC	230 V	230 V		Internal	with detent	Red	5790615680
NO	Stacking valve	3/2, with spring return		Ø 8x1	12 V DC			-10% / +10%	Internal	with detent		5791610210
NO	Stacking valve	3/2, with spring return		Ø 8x1	24 V DC			-10% / +10%	Internal	with detent		5791610220
NO	Stacking valve	3/2, with spring return		Ø 8x1	24 V DC			-10% / +10%	Internal	with detent	Red	5791610620
NO	Stacking valve	3/2, with spring return		Ø 8x1	24 V AC	24 V	24 V		Internal	with detent		5791615220
NO	Stacking valve	3/2, with spring return		Ø 8x1	110 V AC	110 V	110 V		Internal	with detent		5791615270
NO	Stacking valve	3/2, with spring return		Ø 8x1	230 V AC	230 V	230 V		Internal	with detent		5791615280

Version	Type	Switching principle	Compressed air connection input	Compressed air connection output	Operational voltage DC	Operational voltage AC at 50 Hz	Operational voltage AC at 60 Hz	Voltage tolerance DC	Pilot	Manual override	LED	Part No.
NO	Stacking valve	3/2, with spring return		Ø 8x1	230 V AC	230 V	230 V		Internal	with detent	Red	5791615680
NO	Stacking valve, additional pressure connection	3/2, with spring return	Ø 8x1	Ø 8x1	12 V DC			-10% / +10%	Internal	with detent		5796610210
NO	Stacking valve, additional pressure connection	3/2, with spring return	Ø 8x1	Ø 8x1	24 V DC			-10% / +10%	Internal	with detent		5796610220
NO	Stacking valve, additional pressure connection	3/2, with spring return	Ø 8x1	Ø 8x1	24 V DC			-10% / +10%	Internal	with detent	Red	5796610620
NO	Stacking valve, additional pressure connection	3/2, with spring return	Ø 8x1	Ø 8x1	24 V AC	24 V	24 V		Internal	with detent		5796615220
NO	Stacking valve, additional pressure connection	3/2, with spring return	Ø 8x1	Ø 8x1	110 V AC	110 V	110 V		Internal	with detent		5796615270
NO	Stacking valve, additional pressure connection	3/2, with spring return	Ø 8x1	Ø 8x1	230 V AC	230 V	230 V		Internal	with detent		5796615280
NO	Stacking valve, additional pressure connection	3/2, with spring return	Ø 8x1	Ø 8x1	230 V AC	230 V	230 V		Internal	with detent	Red	5796615680
NO	End valve	3/2, with spring return		Ø 8x1	12 V DC			-10% / +10%	Internal	with detent		5792610210
NO	End valve	3/2, with spring return		Ø 8x1	24 V DC			-10% / +10%	Internal	with detent		5792610220

3/2-directional valve, Series 579

Plug
ISO 15217, form C
push-in fitting
Electrically
Ø 8x1
NO

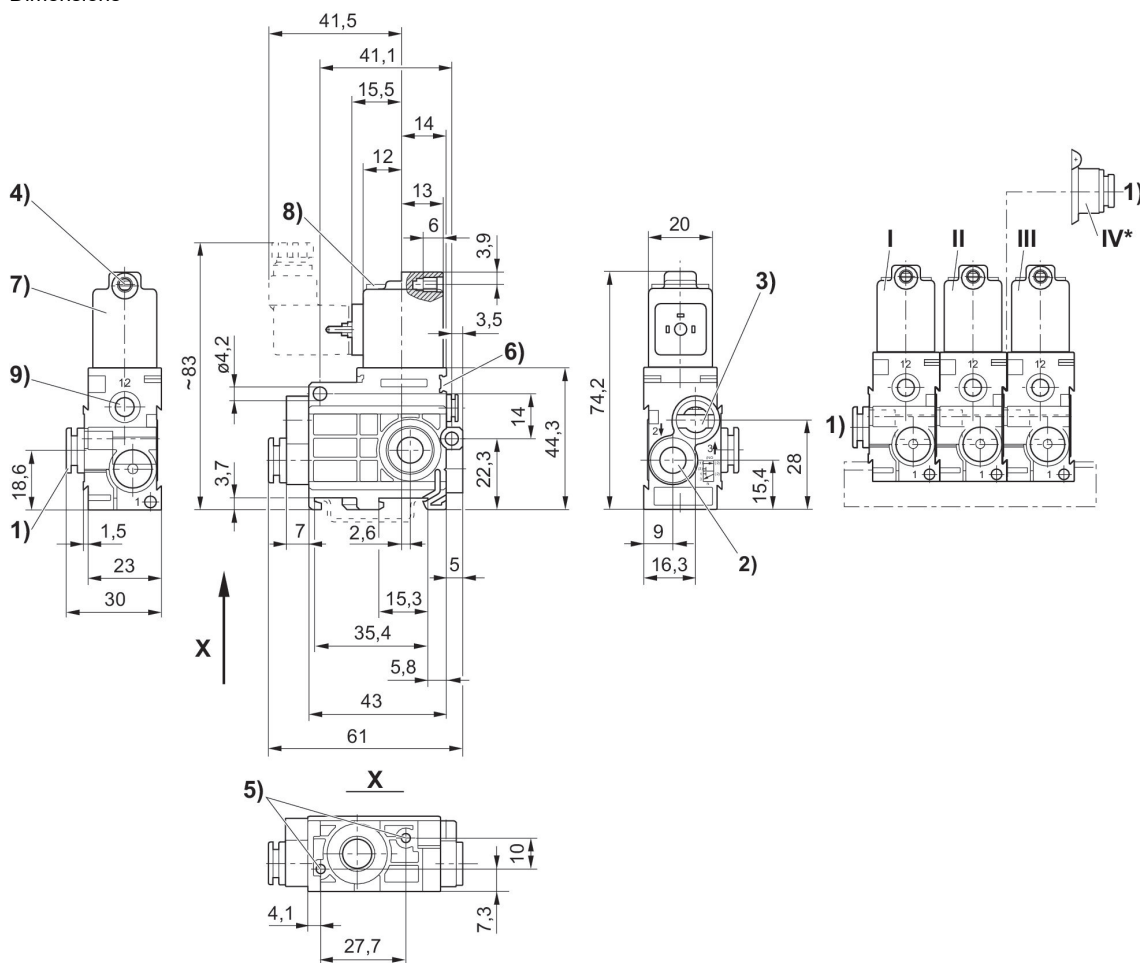


Version	Type	Switching principle	Compressed air connection input	Compressed air connection output	Operational voltage DC	Operational voltage AC at 50 Hz	Operational voltage AC at 60 Hz	Voltage tolerance DC	Min. control pressure [bar]	Max. control pressure [bar]	Pilot	LED	Part No.
NO	Inlet valve	3/2, with spring return	Ø 8x1	Ø 8x1	12 V DC			-10% / +10%	2	8	External		5790620210
NO	Inlet valve	3/2, with spring return	Ø 8x1	Ø 8x1	24 V DC			-10% / +10%	2	8	External		5790620220
NO	Inlet valve	3/2, with spring return	Ø 8x1	Ø 8x1	24 V DC			-10% / +10%	2	8	External	Red	5790620620
NO	Inlet valve	3/2, with spring return	Ø 8x1	Ø 8x1	24 V AC	24 V	24 V		2	8	External		5790625220
NO	Inlet valve	3/2, with spring return	Ø 8x1	Ø 8x1	110 V AC	110 V	110 V		2	8	External		5790625270
NO	Inlet valve	3/2, with spring return	Ø 8x1	Ø 8x1	230 V AC	230 V	230 V		2	8	External		5790625280
NO	Inlet valve	3/2, with spring return	Ø 8x1	Ø 8x1	230 V AC	230 V	230 V		2	8	External	Red	5790625680
NO	Stacking valve	3/2, with spring return		Ø 8x1	12 V DC			-10% / +10%	2	8	External		5791620210
NO	Stacking valve	3/2, with spring return		Ø 8x1	24 V DC			-10% / +10%	2	8	External		5791620220
NO	Stacking valve	3/2, with spring return		Ø 8x1	24 V DC			-10% / +10%	2	8	External	Red	5791620620

Version	Type	Switching principle	Compressed air connection input	Compressed air connection output	Operational voltage DC	Operational voltage AC at 50 Hz	Operational voltage AC at 60 Hz	Voltage tolerance DC	Min. control pressure [bar]	Max. control pressure [bar]	Pilot	LED	Part No.
NO	Stacking valve	3/2, with spring return		Ø 8x1	24 V AC	24 V	24 V		2	8	External		5791625220
NO	Stacking valve	3/2, with spring return		Ø 8x1	110 V AC	110 V	110 V		2	8	External		5791625270
NO	Stacking valve	3/2, with spring return		Ø 8x1	230 V AC	230 V	230 V		2	8	External		5791625280
NO	Stacking valve	3/2, with spring return		Ø 8x1	230 V AC	230 V	230 V		2	8	External	Red	5791625680
NO	Stacking valve, additional pressure connection	3/2, with spring return	Ø 8x1	Ø 8x1	12 V DC			-10% / +10%	2	8	External		5796620210
NO	Stacking valve, additional pressure connection	3/2, with spring return	Ø 8x1	Ø 8x1	24 V DC			-10% / +10%	2	8	External		5796620220
NO	Stacking valve, additional pressure connection	3/2, with spring return	Ø 8x1	Ø 8x1	24 V DC			-10% / +10%	2	8	External	Red	5796620620
NO	Stacking valve, additional pressure connection	3/2, with spring return	Ø 8x1	Ø 8x1	24 V AC	24 V	24 V		2	8	External		5796625220
NO	Stacking valve, additional pressure connection	3/2, with spring return	Ø 8x1	Ø 8x1	110 V AC	110 V	110 V		2	8	External		5796625270

Version	Type	Switching principle	Compressed air connection input	Compressed air connection output	Operational voltage DC	Operational voltage AC at 50 Hz	Operational voltage AC at 60 Hz	Voltage tolerance DC	Min. control pressure [bar]	Max. control pressure [bar]	Pilot	LED	Part No.
	connection												
NO	Stacking valve, additional pressure connection	3/2, with spring return	Ø 8x1	Ø 8x1	230 V AC	230 V	230 V		2	8	External		5796625280
NO	Stacking valve, additional pressure connection	3/2, with spring return	Ø 8x1	Ø 8x1	230 V AC	230 V	230 V		2	8	External	Red	5796625680
NO	End valve	3/2, with spring return		Ø 8x1	12 V DC			-10% / +10%	2	8	External		5792620210
NO	End valve	3/2, with spring return		Ø 8x1	24 V DC			-10% / +10%	2	8	External		5792620220
NO	End valve	3/2, with spring return		Ø 8x1	24 V DC			-10% / +10%	2	8	External	Red	5792620620
NO	End valve	3/2, with spring return		Ø 8x1	24 V AC	24 V	24 V		2	8	External		5792625220
NO	End valve	3/2, with spring return		Ø 8x1	110 V AC	110 V	110 V		2	8	External		5792625270
NO	End valve	3/2, with spring return		Ø 8x1	230 V AC	230 V	230 V		2	8	External		5792625280
NO	End valve	3/2, with spring return		Ø 8x1	230 V AC	230 V	230 V		2	8	External	Red	5792625680

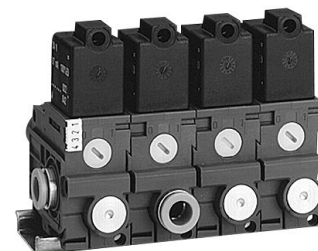
Dimensions



1) Port 1 2) Port 2 3) Port 3, exhaust air must not be throttled 4) Core Ø for M5 5) Pocket hole 6 mm deep for 3.5 self-tapping screw 6) Mounting space for name plate 7) Coil can be rotated at 180° intervals 8) LED 9) Port 12 * Air connection module (item IV) mounted onto stacking valve (item II) permits additional air supply from right hand side. End valve (item III) not required.
I = Inlet valve, II = Stacking valve, III = End valve

3/2-directional valve, Series 579

Plug
ISO 15217, form C
push-in fitting
Electrically
Ø 8x1
NC

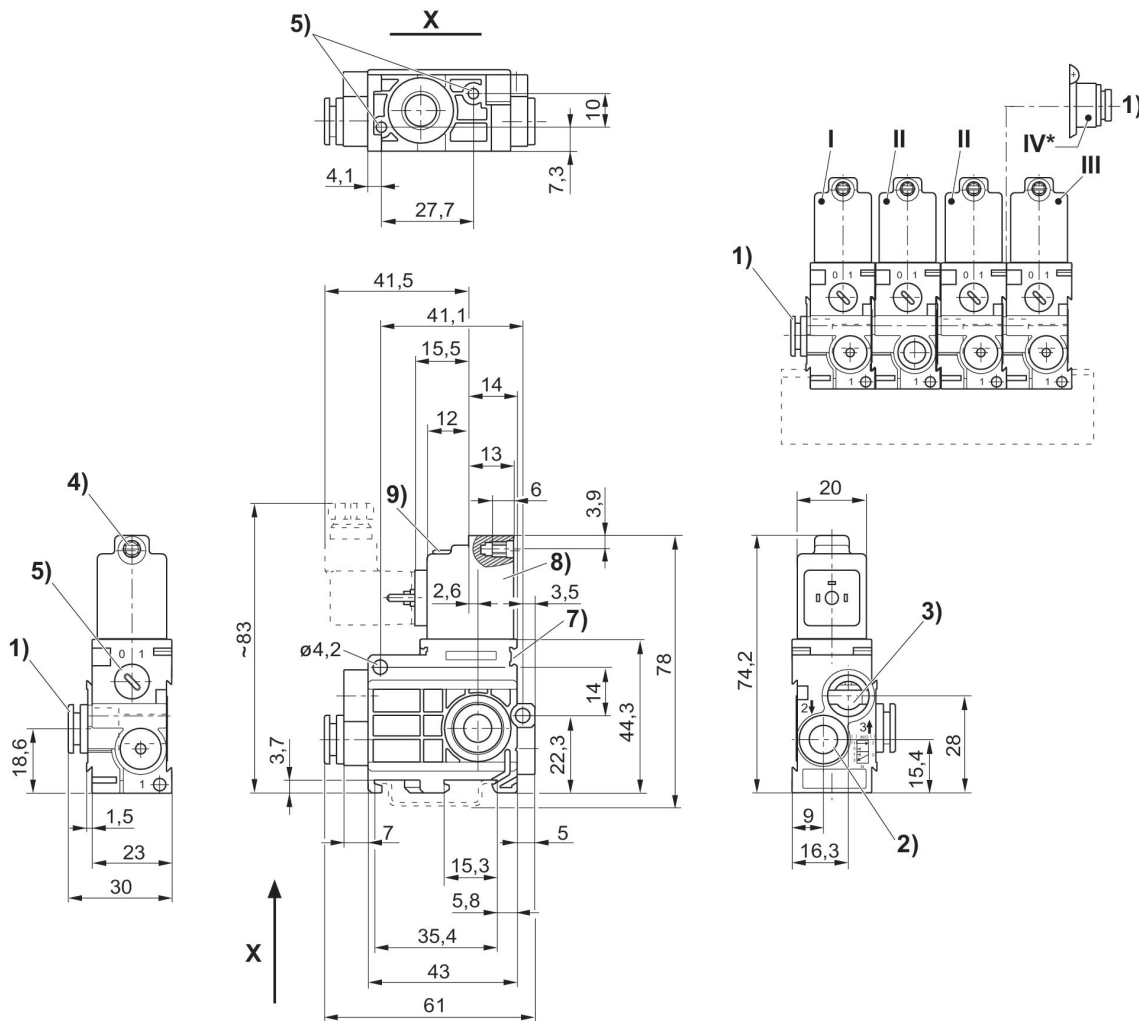


Version	Type	Switching principle	Compressed air connection input	Compressed air connection output	Operational voltage DC	Operational voltage AC at 50 Hz	Operational voltage AC at 60 Hz	Voltage tolerance DC	Max. control pressure [bar]	Pilot	Manual override	LED	Part No.
NC	Inlet valve	3/2, with spring return	Ø 8x1	Ø 8x1	12 V DC			-10% / +10%		Internal	with detent		5790600210
NC	Inlet valve	3/2, with spring return	Ø 8x1	Ø 8x1	24 V DC			-10% / +10%		Internal	with detent		5790600220
NC	Inlet valve	3/2, with spring return	Ø 8x1	Ø 8x1	24 V DC			-10% / +10%		Internal	with detent	Red	5790600620
NC	Inlet valve	3/2, with spring return	Ø 8x1	Ø 8x1	24 V AC	24 V	24 V			Internal	with detent		5790605220
NC	Inlet valve	3/2, with spring return	Ø 8x1	Ø 8x1	110 V AC	110 V	110 V			Internal	with detent		5790605270
NC	Inlet valve	3/2, with spring return	Ø 8x1	Ø 8x1	230 V AC	230 V	230 V			Internal	with detent		5790605280
NC	Inlet valve	3/2, with spring return	Ø 8x1	Ø 8x1	230 V AC	230 V	230 V			Internal	with detent	Red	5790605680
NC	Stacking valve	3/2, with spring return		Ø 8x1	12 V DC			-10% / +10%		Internal	with detent		5791600210
NC	Stacking valve	3/2, with spring return		Ø 8x1	24 V DC			-10% / +10%		Internal	with detent		5791600220
NC	Stacking valve	3/2, with spring return		Ø 8x1	24 V DC			-10% / +10%		Internal	with detent	Red	5791600620

Version	Type	Switching principle	Compressed air connection input	Compressed air connection output	Operational voltage DC	Operational voltage AC at 50 Hz	Operational voltage AC at 60 Hz	Voltage tolerance DC	Max. control pressure [bar]	Pilot	Manual override	LED	Part No.
NC	Stacking valve	3/2, with spring return		Ø 8x1	24 V AC	24 V	24 V			Internal	with detent		5791605220
NC	Stacking valve	3/2, with spring return		Ø 8x1	110 V AC	110 V	110 V			Internal	with detent		5791605270
NC	Stacking valve	3/2, with spring return		Ø 8x1	230 V AC	230 V	230 V			Internal	with detent		5791605280
NC	Stacking valve	3/2, with spring return		Ø 8x1	230 V AC	230 V	230 V			Internal	with detent	Red	5791605680
NC	Stacking valve, additional pressure connection	3/2, with spring return	Ø 8x1	Ø 8x1	12 V DC			-10% / +10%	8	Internal	with detent		5796600210
NC	Stacking valve, additional pressure connection	3/2, with spring return	Ø 8x1	Ø 8x1	24 V DC			-10% / +10%	8	Internal	with detent		5796600220
NC	Stacking valve, additional pressure connection	3/2, with spring return	Ø 8x1	Ø 8x1	24 V DC			-10% / +10%	8	Internal	with detent	Red	5796600620
NC	Stacking valve, additional pressure connection	3/2, with spring return	Ø 8x1	Ø 8x1	24 V AC	24 V	24 V		8	Internal	with detent		5796605220
NC	Stacking valve, additional pressure	3/2, with spring return	Ø 8x1	Ø 8x1	110 V AC	110 V	110 V		8	Internal	with detent		5796605270

Version	Type	Switching principle	Compressed air connection input	Compressed air connection output	Operational voltage DC	Operational voltage AC at 50 Hz	Operational voltage AC at 60 Hz	Voltage tolerance DC	Max. control pressure [bar]	Pilot	Manual override	LED	Part No.
	connection												
NC	Stacking valve, additional pressure connection	3/2, with spring return	Ø 8x1	Ø 8x1	230 V AC	230 V	230 V		8	Internal	with detent		5796605280
NC	Stacking valve, additional pressure connection	3/2, with spring return	Ø 8x1	Ø 8x1	230 V AC	230 V	230 V		8	Internal	with detent	Red	5796605680
NC	End valve	3/2, with spring return		Ø 8x1	12 V DC			-10% / +10%		Internal	with detent		5792600210
NC	End valve	3/2, with spring return		Ø 8x1	24 V DC			-10% / +10%		Internal	with detent		5792600220
NC	End valve	3/2, with spring return		Ø 8x1	24 V DC			-10% / +10%		Internal	with detent	Red	5792600620
NC	End valve	3/2, with spring return		Ø 8x1	24 V AC	24 V	24 V			Internal	with detent		5792605220
NC	End valve	3/2, with spring return		Ø 8x1	110 V AC	110 V	110 V			Internal	with detent		5792605270
NC	End valve	3/2, with spring return		Ø 8x1	230 V AC	230 V	230 V			Internal	with detent		5792605280
NC	End valve	3/2, with spring return		Ø 8x1	230 V AC	230 V	230 V			Internal	with detent	Red	5792605680

Dimensions



1) Port 1 2) Port 2 3) Port 3, exhaust air must not be throttled 4) Core Ø for M5 5) Manual override 6) Pocket hole 6 mm deep for 3.5 self-tapping screw 7) Mounting space for name plate 8) Coil can be rotated at 180° intervals 9) LED * Air conn. module (item IV) mounted onto stacking valve (item II) permits additional air supply from right hand side. End valve (item III) not required.
I = Inlet valve, II = Stacking valve, III = End valve

3/2-directional valve, Series 579

Plug
ISO 15217, form C
push-in fitting
Electrically
Ø 8x1
NC

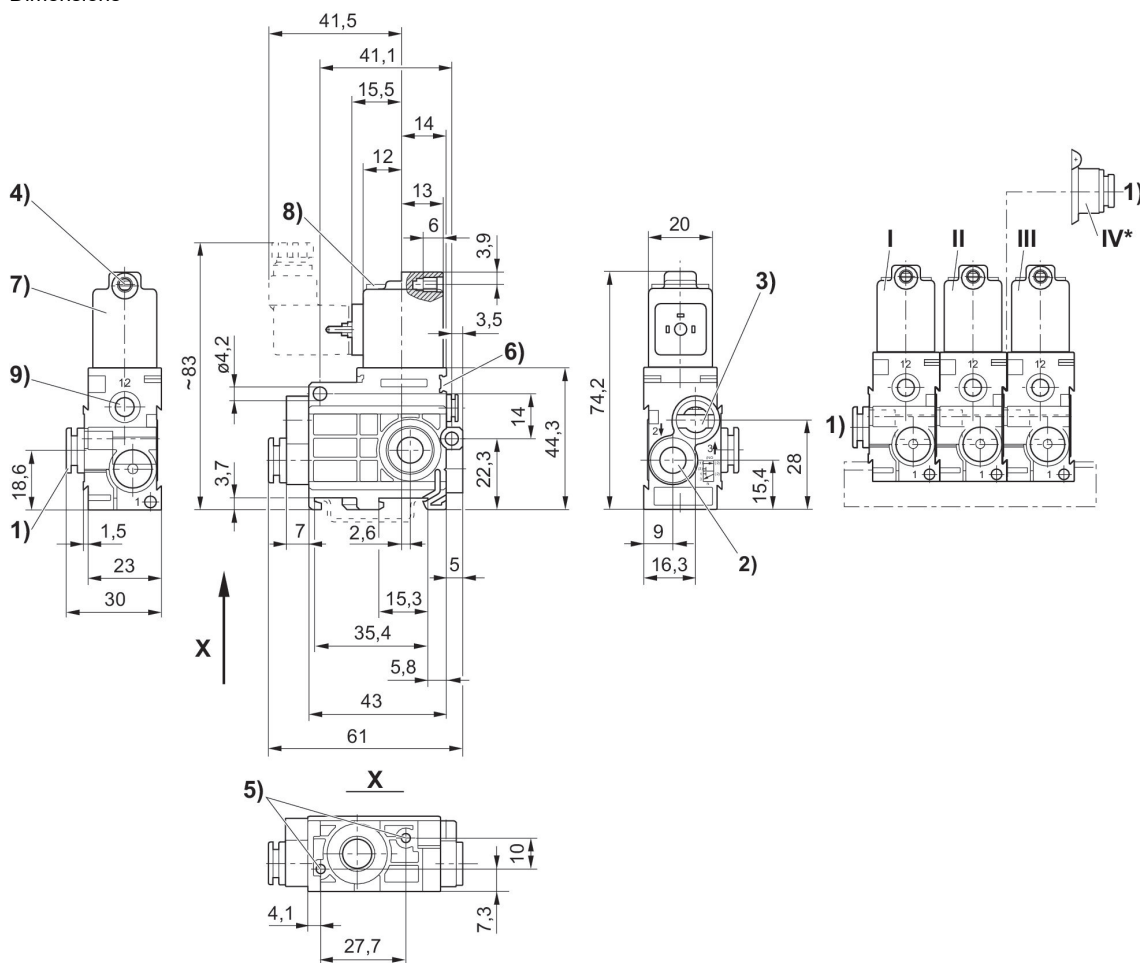


Version	Type	Switching principle	Compressed air connection input	Compressed air connection output	Operational voltage DC	Operational voltage AC at 50 Hz	Operational voltage AC at 60 Hz	Voltage tolerance DC	Min. control pressure [bar]	Max. control pressure [bar]	Pilot	LED	Part No.
NC	Inlet valve	3/2, with spring return	Ø 8x1	Ø 8x1	12 V DC			-10% / +10%	2	8	External		5790670210
NC	Inlet valve	3/2, with spring return	Ø 8x1	Ø 8x1	24 V DC			-10% / +10%	2	8	External		5790670220
NC	Inlet valve	3/2, with spring return	Ø 8x1	Ø 8x1	24 V DC			-10% / +10%	2	8	External	Red	5790670620
NC	Inlet valve	3/2, with spring return	Ø 8x1	Ø 8x1	24 V AC	24 V	24 V		2	8	External		5790675220
NC	Inlet valve	3/2, with spring return	Ø 8x1	Ø 8x1	110 V AC	110 V	110 V		2	8	External		5790675270
NC	Inlet valve	3/2, with spring return	Ø 8x1	Ø 8x1	230 V AC	230 V	230 V		2	8	External		5790675280
NC	Inlet valve	3/2, with spring return	Ø 8x1	Ø 8x1	230 V AC	230 V	230 V		2	8	External	Red	5790675680
NC	Stacking valve	3/2, with spring return		Ø 8x1	12 V DC			-10% / +10%	2	8	External		5791670210
NC	Stacking valve	3/2, with spring return		Ø 8x1	24 V DC			-10% / +10%	2	8	External		5791670220
NC	Stacking valve	3/2, with spring return		Ø 8x1	24 V DC			-10% / +10%	2	8	External	Red	5791670620

Version	Type	Switching principle	Compressed air connection input	Compressed air connection output	Operational voltage DC	Operational voltage AC at 50 Hz	Operational voltage AC at 60 Hz	Voltage tolerance DC	Min. control pressure [bar]	Max. control pressure [bar]	Pilot	LED	Part No.
NC	Stacking valve	3/2, with spring return		Ø 8x1	24 V AC	24 V	24 V		2	8	External		5791675220
NC	Stacking valve	3/2, with spring return		Ø 8x1	110 V AC	110 V	110 V		2	8	External		5791675270
NC	Stacking valve	3/2, with spring return		Ø 8x1	230 V AC	230 V	230 V		2	8	External		5791675280
NC	Stacking valve	3/2, with spring return		Ø 8x1	230 V AC	230 V	230 V		2	8	External	Red	5791675680
NC	Stacking valve, additional pressure connection	3/2, with spring return	Ø 8x1	Ø 8x1	12 V DC			-10% / +10%	2	8	External		5796670210
NC	Stacking valve, additional pressure connection	3/2, with spring return	Ø 8x1	Ø 8x1	24 V DC			-10% / +10%	2	8	External		5796670220
NC	Stacking valve, additional pressure connection	3/2, with spring return	Ø 8x1	Ø 8x1	24 V DC			-10% / +10%	2	8	External	Red	5796670620
NC	Stacking valve, additional pressure connection	3/2, with spring return	Ø 8x1	Ø 8x1	24 V AC	24 V	24 V		2	8	External		5796675220
NC	Stacking valve, additional pressure	3/2, with spring return	Ø 8x1	Ø 8x1	110 V AC	110 V	110 V		2	8	External		5796675270

Version	Type	Switching principle	Compressed air connection input	Compressed air connection output	Operational voltage DC	Operational voltage AC at 50 Hz	Operational voltage AC at 60 Hz	Voltage tolerance DC	Min. control pressure [bar]	Max. control pressure [bar]	Pilot	LED	Part No.
	connection												
NC	Stacking valve, additional pressure connection	3/2, with spring return	Ø 8x1	Ø 8x1	230 V AC	230 V	230 V		2	8	External		5796675280
NC	Stacking valve, additional pressure connection	3/2, with spring return	Ø 8x1	Ø 8x1	230 V AC	230 V	230 V		2	8	External	Red	5796675680
NC	End valve	3/2, with spring return		Ø 8x1	12 V DC			-10% / +10%	2	8	External		5792670210
NC	End valve	3/2, with spring return		Ø 8x1	24 V DC			-10% / +10%	2	8	External		5792670220
NC	End valve	3/2, with spring return		Ø 8x1	24 V DC			-10% / +10%	2	8	External	Red	5792670620
NC	End valve	3/2, with spring return		Ø 8x1	24 V AC	24 V	24 V		2	8	External		5792675220
NC	End valve	3/2, with spring return		Ø 8x1	110 V AC	110 V	110 V		2	8	External		5792675270
NC	End valve	3/2, with spring return		Ø 8x1	230 V AC	230 V	230 V		2	8	External		5792675280
NC	End valve	3/2, with spring return		Ø 8x1	230 V AC	230 V	230 V		2	8	External	Red	5792675680

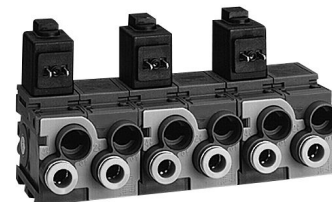
Dimensions



1) Port 1 2) Port 2 3) Port 3, exhaust air must not be throttled 4) Core Ø for M5 5) Pocket hole 6 mm deep for 3.5 self-tapping screw 6) Mounting space for name plate 7) Coil can be rotated at 180° intervals 8) LED 9) Port 12 * Air connection module (item IV) mounted onto stacking valve (item II) permits additional air supply from right hand side. End valve (item III) not required.
I = Inlet valve, II = Stacking valve, III = End valve

5/2-directional valve, Series 579

Plug
ISO 15217, form C
push-in fitting
Electrically
Ø 8x1



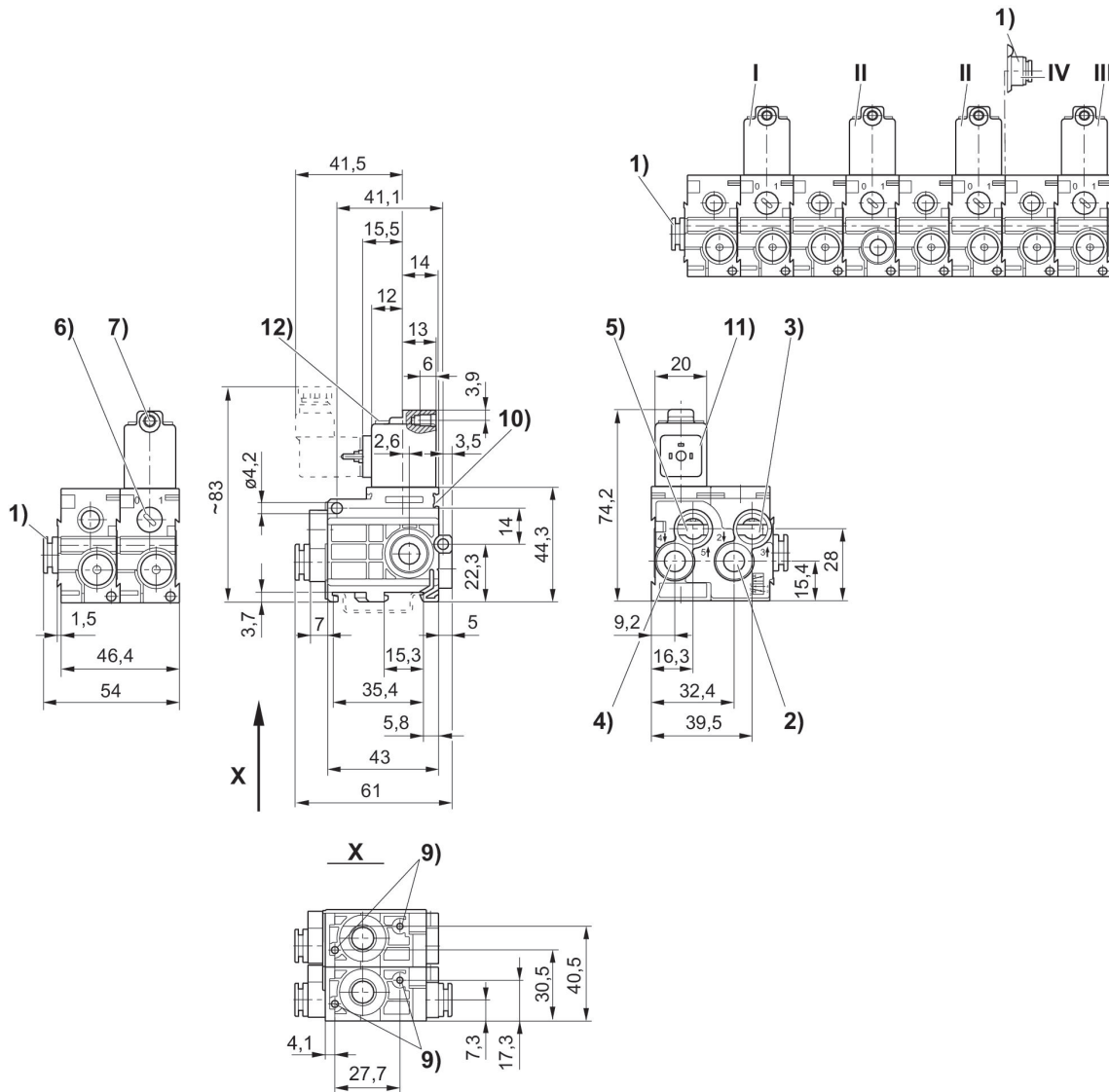
Version	Type	Switching principle	Compressed air connection input	Compressed air connection output	Operational voltage DC	Operational voltage AC at 50 Hz	Operational voltage AC at 60 Hz	Voltage tolerance DC	Pilot	Manual override	LED	Part No.
NC	Inlet valve	5/2, with spring return	Ø 8x1	Ø 6x1	12 V DC			-10% / +10%	Internal	with detent		5790800210
NC	Inlet valve	5/2, with spring return	Ø 8x1	Ø 6x1	24 V DC			-10% / +10%	Internal	with detent		5790800220
NC	Inlet valve	5/2, with spring return	Ø 8x1	Ø 6x1	24 V DC			-10% / +10%	Internal	with detent	Red	5790800620
NC	Inlet valve	5/2, with spring return	Ø 8x1	Ø 6x1	24 V AC	24 V	24 V		Internal	with detent		5790805220
NC	Inlet valve	5/2, with spring return	Ø 8x1	Ø 6x1	110 V AC	110 V	110 V		Internal	with detent		5790805270
NC	Inlet valve	5/2, with spring return	Ø 8x1	Ø 6x1	230 V AC	230 V	230 V		Internal	with detent		5790805280
NC	Inlet valve	5/2, with spring return	Ø 8x1	Ø 6x1	230 V AC	230 V	230 V		Internal	with detent	Red	5790805680
NC	Stacking valve	5/2, with spring return		Ø 6x1	24 V AC	24 V	24 V		Internal	with detent		5791805220
NC	Stacking valve	5/2, with spring return		Ø 6x1	12 V DC			-10% / +10%	Internal	with detent		5791800210
NC	Stacking valve	5/2, with spring return		Ø 6x1	24 V DC			-10% / +10%	Internal	with detent		5791800220
NC	Stacking valve	5/2, with spring return		Ø 6x1	24 V DC			-10% / +10%	Internal	with detent	Red	5791800620
NC	Stacking valve	5/2, with spring return		Ø 6x1	110 V AC	110 V	110 V		Internal	with detent		5791805270
NC	Stacking valve	5/2, with spring return		Ø 6x1	230 V AC	230 V	230 V		Internal	with detent		5791805280

Version	Type	Switching principle	Compressed air connection input	Compressed air connection output	Operational voltage DC	Operational voltage AC at 50 Hz	Operational voltage AC at 60 Hz	Voltage tolerance DC	Pilot	Manual override	LED	Part No.
NC	Stacking valve	5/2, with spring return		Ø 6x1	230 V AC	230 V	230 V		Internal	with detent	Red	5791805680
NC	Stacking valve, additional pressure connection	5/2, with spring return	Ø 6x1	Ø 6x1	12 V DC			-10% / +10%	Internal	with detent		5796700210
NC	Stacking valve, additional pressure connection	5/2, with spring return	Ø 6x1	Ø 6x1	24 V DC			-10% / +10%	Internal	with detent		5796700220
NC	Stacking valve, additional pressure connection	5/2, with spring return	Ø 6x1	Ø 6x1	24 V DC			-10% / +10%	Internal	with detent	Red	5796700620
NC	Stacking valve, additional pressure connection	5/2, with spring return	Ø 6x1	Ø 6x1	24 V AC	24 V	24 V		Internal	with detent		5796705220
NC	Stacking valve, additional pressure connection	5/2, with spring return	Ø 6x1	Ø 6x1	110 V AC	110 V	110 V		Internal	with detent		5796705270
NC	Stacking valve, additional pressure connection	5/2, with spring return	Ø 6x1	Ø 6x1	230 V AC	230 V	230 V		Internal	with detent		5796705280
NC	Stacking valve, additional pressure connection	5/2, with spring return	Ø 6x1	Ø 6x1	230 V AC	230 V	230 V		Internal	with detent	Red	5796705680
NC	Stacking valve, additional pressure connection	5/2, with spring return	Ø 8x1	Ø 6x1	12 V DC			-10% / +10%	Internal	with detent		5796800210

Version	Type	Switching principle	Compressed air connection input	Compressed air connection output	Operational voltage DC	Operational voltage AC at 50 Hz	Operational voltage AC at 60 Hz	Voltage tolerance DC	Pilot	Manual override	LED	Part No.
NC	Stacking valve, additional pressure connection	5/2, with spring return	Ø 8x1	Ø 6x1	24 V DC			-10% / +10%	Internal	with detent		5796800220
NC	Stacking valve, additional pressure connection	5/2, with spring return	Ø 8x1	Ø 6x1	24 V DC			-10% / +10%	Internal	with detent	Red	5796800620
NC	Stacking valve, additional pressure connection	5/2, with spring return	Ø 8x1	Ø 6x1	24 V AC	24 V	24 V		Internal	with detent		5796805220
NC	Stacking valve, additional pressure connection	5/2, with spring return	Ø 8x1	Ø 6x1	110 V AC	110 V	110 V		Internal	with detent		5796805270
NC	Stacking valve, additional pressure connection	5/2, with spring return	Ø 8x1	Ø 6x1	230 V AC	230 V	230 V		Internal	with detent		5796805280
NC	Stacking valve, additional pressure connection	5/2, with spring return	Ø 8x1	Ø 6x1	230 V AC	230 V	230 V		Internal	with detent	Red	5796805680
NC	End valve	5/2, with spring return		Ø 6x1	12 V DC			-10% / +10%	Internal	with detent		5792800210
NC	End valve	5/2, with spring return		Ø 6x1	24 V DC			-10% / +10%	Internal	with detent		5792800220
NC	End valve	5/2, with spring return		Ø 6x1	24 V DC			-10% / +10%	Internal	with detent	Red	5792800620
NC	End valve	5/2, with spring return		Ø 6x1	24 V AC	24 V	24 V		Internal	with detent		5792805220
NC	End valve	5/2, with spring return		Ø 6x1	110 V AC	110 V	110 V		Internal	with detent		5792805270

Version	Type	Switching principle	Compressed air connection input	Compressed air connection output	Operational voltage DC	Operational voltage AC at 50 Hz	Operational voltage AC at 60 Hz	Voltage tolerance DC	Pilot	Manual override	LED	Part No.
NC	End valve	5/2, with spring return		Ø 6x1	230 V AC	230 V	230 V		Internal	with detent		5792805280
NC	End valve	5/2, with spring return		Ø 6x1	230 V AC	230 V	230 V		Internal	with detent	Red	5792805680

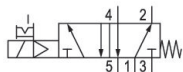
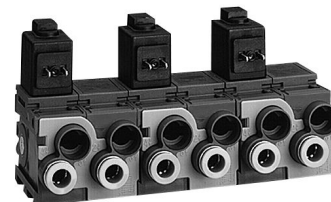
Dimensions



1) Port 1 2) Port 2 3) Port 3 4) Port 4 5) Port 5 6) Manual override 7) Core Ø for M5 8) Exhaust air must not be throttled 9) Pocket hole 6 mm deep for 3.5 self-tapping screw 10) mounting space for name plate 11) Coil can be rotated at 180° intervals 12) LED * Air connection module (item IV) mounted onto stacking valve (item II) permits additional air supply from right hand side. End valve (item III) not required.
I = Inlet valve, II = Stacking valve, III = End valve
* Order air connection module 5790000092 separately

5/2-directional valve, Series 579

600 l/min
Plug
ISO 15217, form C
push-in fitting
Electrically
Ø 8x1
NC

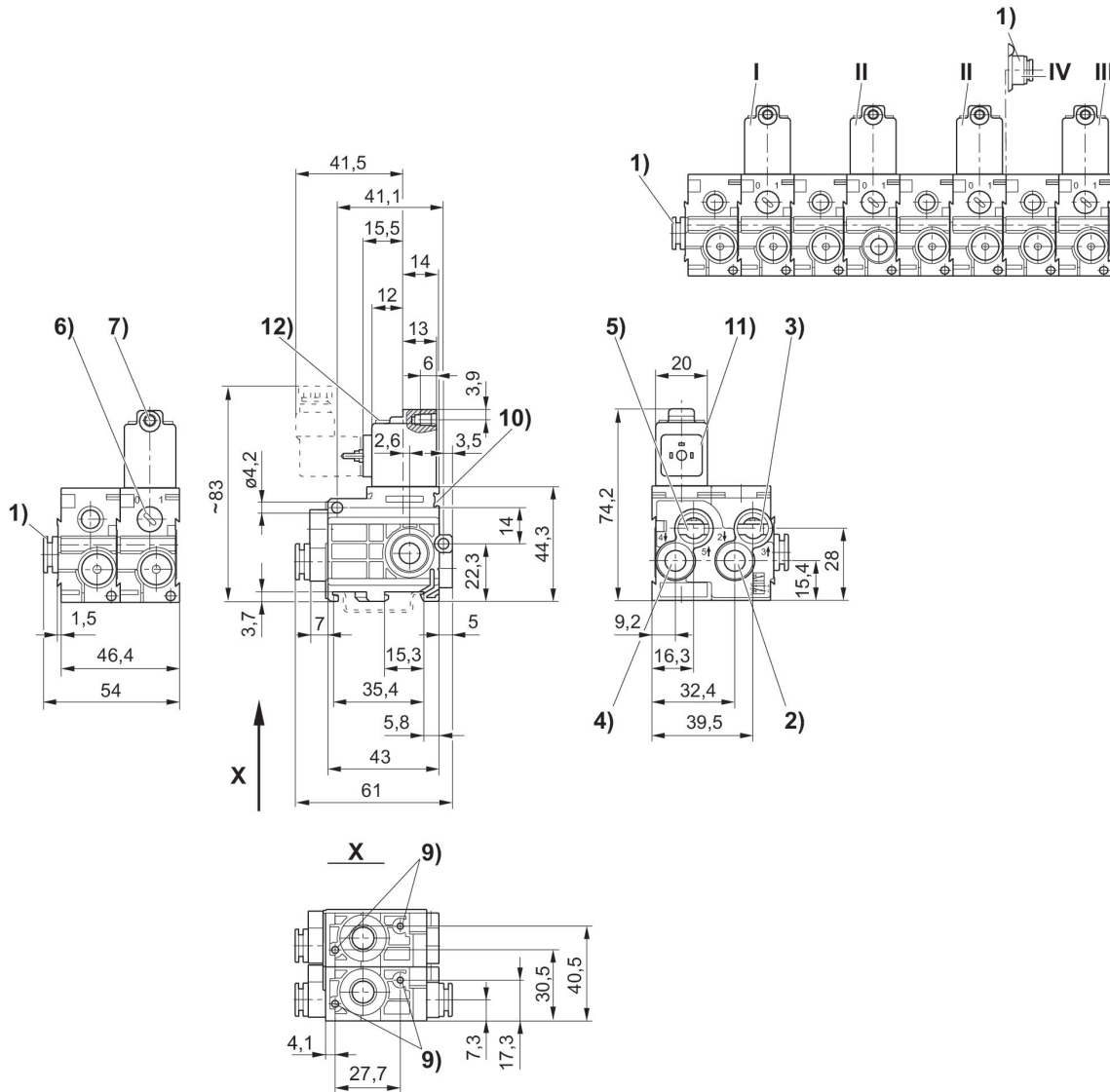


Version	Type	Switching principle	Compressed air connection input	Compressed air connection output	Operational voltage DC	Operational voltage AC at 50 Hz	Operational voltage AC at 60 Hz	Voltage tolerance DC	Pilot	Manual override	LED	Part No.
NC	Inlet valve	5/2, with spring return	Ø 8x1	Ø 8x1	12 V DC			-10% / +10%	Internal	with detent		5790900210
NC	Inlet valve	5/2, with spring return	Ø 8x1	Ø 8x1	24 V DC			-10% / +10%	Internal	with detent		5790900220
NC	Inlet valve	5/2, with spring return	Ø 8x1	Ø 8x1	24 V DC			-10% / +10%	Internal	with detent	Red	5790900620
NC	Inlet valve	5/2, with spring return	Ø 8x1	Ø 8x1	24 V AC	24 V	24 V		Internal	with detent		5790905220
NC	Inlet valve	5/2, with spring return	Ø 8x1	Ø 8x1	110 V AC	110 V	110 V		Internal	with detent		5790905270
NC	Inlet valve	5/2, with spring return	Ø 8x1	Ø 8x1	230 V AC	230 V	230 V		Internal	with detent		5790905280
NC	Inlet valve	5/2, with spring return	Ø 8x1	Ø 8x1	230 V AC	230 V	230 V		Internal	with detent	Red	5790905680
NC	Stacking valve	5/2, with spring return		Ø 8x1	12 V DC			-10% / +10%	Internal	with detent		5791900210
NC	Stacking valve	5/2, with spring return		Ø 8x1	24 V DC			-10% / +10%	Internal	with detent		5791900220
NC	Stacking valve	5/2, with spring return		Ø 8x1	24 V DC			-10% / +10%	Internal	with detent	Red	5791900620
NC	Stacking valve	5/2, with spring return		Ø 8x1	24 V AC	24 V	24 V		Internal	with detent		5791905220
NC	Stacking valve	5/2, with spring return		Ø 8x1	110 V AC	110 V	110 V		Internal	with detent		5791905270
NC	Stacking valve	5/2, with spring return		Ø 8x1	230 V AC	230 V	230 V		Internal	with detent		5791905280

Version	Type	Switching principle	Compressed air connection input	Compressed air connection output	Operational voltage DC	Operational voltage AC at 50 Hz	Operational voltage AC at 60 Hz	Voltage tolerance DC	Pilot	Manual override	LED	Part No.
NC	Stacking valve	5/2, with spring return		Ø 8x1	230 V AC	230 V	230 V		Internal	with detent	Red	5791905680
NC	Stacking valve, additional pressure connection	5/2, with spring return	Ø 8x1	Ø 8x1	12 V DC			-10% / +10%	Internal	with detent		5796900210
NC	Stacking valve, additional pressure connection	5/2, with spring return	Ø 8x1	Ø 8x1	24 V DC			-10% / +10%	Internal	with detent		5796900220
NC	Stacking valve, additional pressure connection	5/2, with spring return	Ø 8x1	Ø 8x1	24 V DC			-10% / +10%	Internal	with detent	Red	5796900620
NC	Stacking valve, additional pressure connection	5/2, with spring return	Ø 8x1	Ø 8x1	24 V AC	24 V	24 V		Internal	with detent		5796905220
NC	Stacking valve, additional pressure connection	5/2, with spring return	Ø 8x1	Ø 8x1	110 V AC	110 V	110 V		Internal	with detent		5796905270
NC	Stacking valve, additional pressure connection	5/2, with spring return	Ø 8x1	Ø 8x1	230 V AC	230 V	230 V		Internal	with detent		5796905280
NC	Stacking valve, additional pressure connection	5/2, with spring return	Ø 8x1	Ø 8x1	230 V AC	230 V	230 V		Internal	with detent	Red	5796905680
NC	End valve	5/2, with spring return		Ø 8x1	12 V DC			-10% / +10%	Internal	with detent		5792900210
NC	End valve	5/2, with spring return		Ø 8x1	24 V DC			-10% / +10%	Internal	with detent		5792900220

Version	Type	Switching principle	Compressed air connection input	Compressed air connection output	Operational voltage DC	Operational voltage AC at 50 Hz	Operational voltage AC at 60 Hz	Voltage tolerance DC	Pilot	Manual override	LED	Part No.
NC	End valve	5/2, with spring return		Ø 8x1	24 V DC			-10% / +10%	Internal	with detent	Red	5792900620
NC	End valve	5/2, with spring return		Ø 8x1	24 V AC	24 V	24 V		Internal	with detent		5792905220
NC	End valve	5/2, with spring return		Ø 8x1	110 V AC	110 V	110 V		Internal	with detent		5792905270
NC	End valve	5/2, with spring return		Ø 8x1	230 V AC	230 V	230 V		Internal	with detent		5792905280
NC	End valve	5/2, with spring return		Ø 8x1	230 V AC	230 V	230 V		Internal	with detent	Red	5792905680

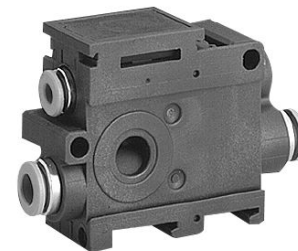
Dimensions



- 1) Port 1 2) Port 2 3) Port 3 4) Port 4 5) Port 5 6) Manual override 7) Core Ø for M5 8) Exhaust air must not be throttled 9) Pocket hole 6 mm deep for 3.5 self-tapping screw
10) mounting space for name plate 11) Coil can be rotated at 180° intervals 12) LED * Air connection module (item IV) mounted onto stacking valve (item II) permits additional air supply from right hand side. End valve (item III) not required.
I = Inlet valve, II = Stacking valve, III = End valve
* Order air connection module 5790000092 separately

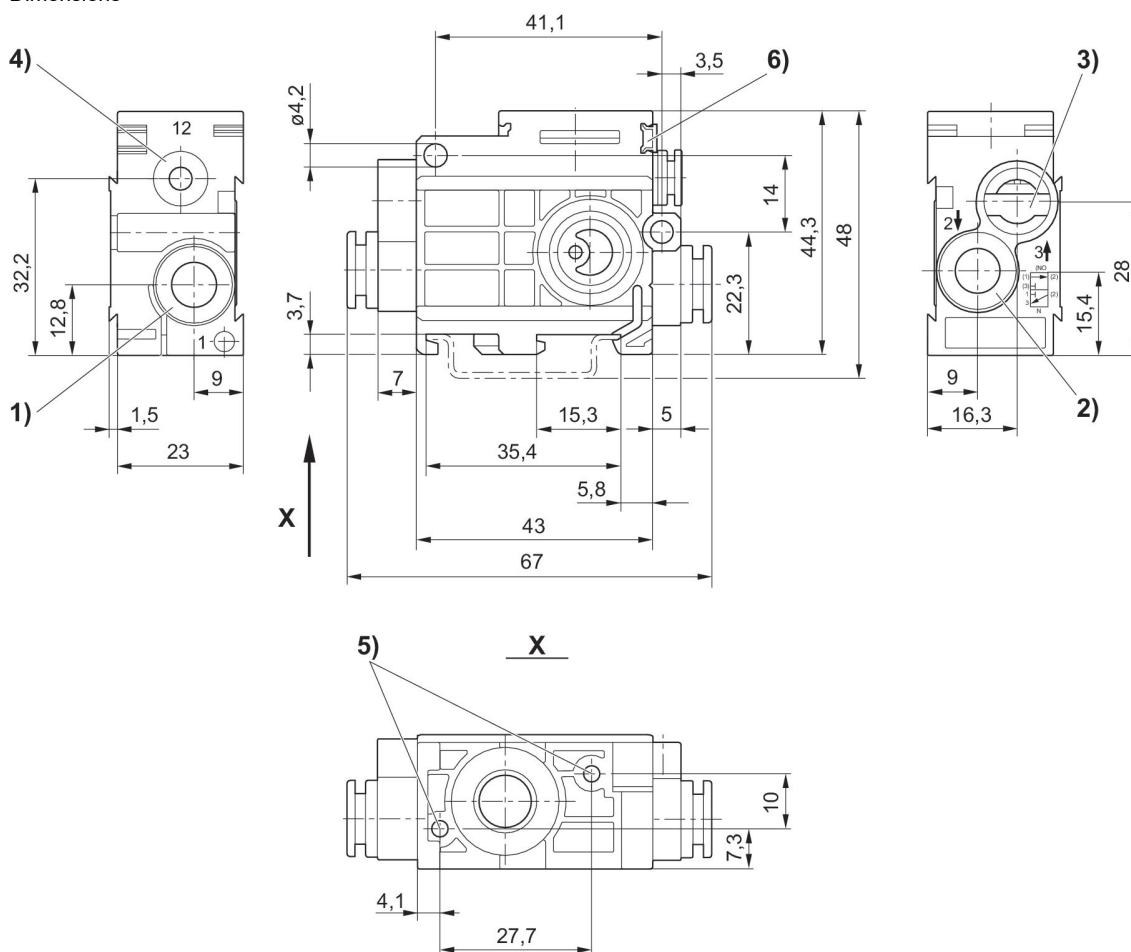
3/2-directional valve, Series 579

Single Air Pilot
Pneumatically



Version	Type	Compressed air connection input	Compressed air connection output	Min. control pressure [bar]	Max. control pressure [bar]	Part No.
NC	Single valve	Ø 6x1	Ø 6x1	2	10	5794400000
NC	Single valve	Ø 8x1	Ø 8x1	2	10	5794600000
NO	Single valve	Ø 6x1	Ø 6x1	2	10	5794400010
NO	Single valve	Ø 8x1	Ø 8x1	2	10	5794600010

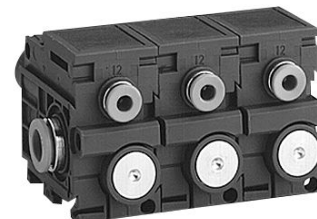
Dimensions



1) port 1 2) port 2 3) port 3 exhaust must not be throttled 4) port 12 5) pocket hole 6 mm deep for 3.5 self-tapping screw 6) mounting space for name plate

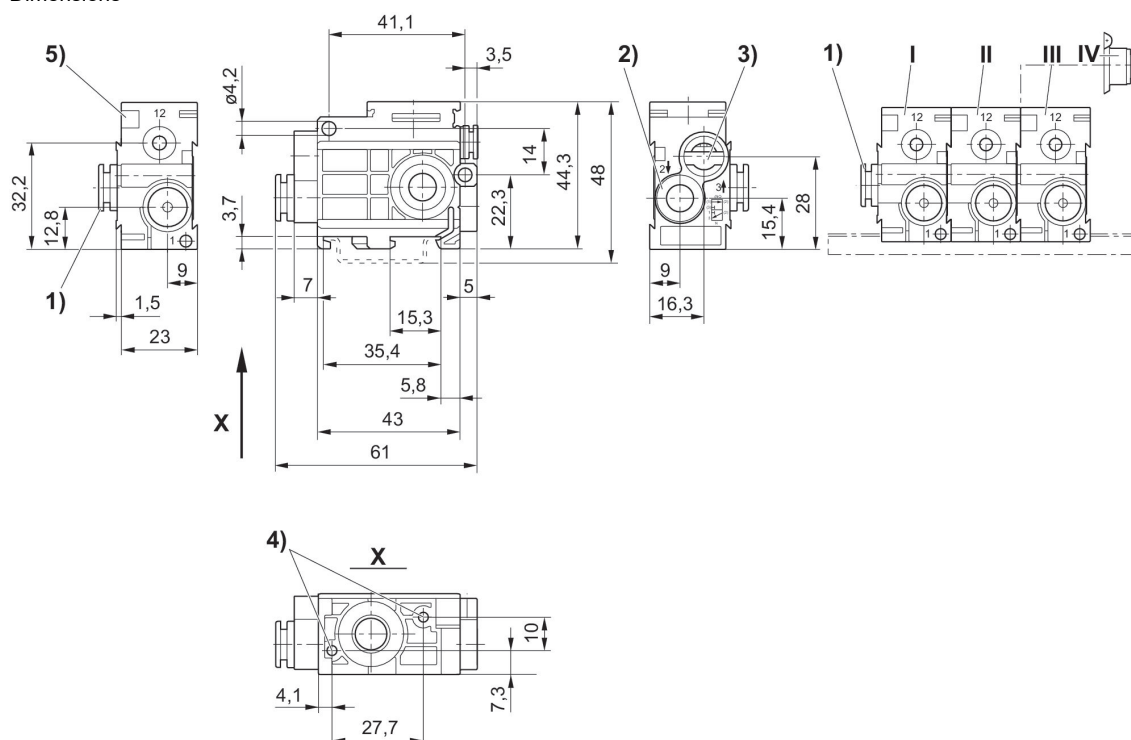
3/2-directional valve, Series 579

Single Air Pilot
push-in fitting
Pneumatically



Version	Type	Compressed air connection output	Min. control pressure [bar]	Part No.
NC	Inlet valve	Ø 8x1	2	5790600000
NC	Stacking valve	Ø 8x1	2	5791600000
NC	End valve	Ø 8x1	2	5792600000
NO	Inlet valve	Ø 8x1	2	5790600010
NO	Stacking valve	Ø 8x1	2	5791600010
NO	End valve	Ø 8x1	2	5792600010

Dimensions



1) port 1 2) port 2 3) port 3 exhaust must not be throttled 4) pocket hole 6 mm deep for 3.5 self-tapping screw 5) mounting space for name plate * Air conn. module (item IV) mounted onto stacking valve (item II) permits additional air supply from right hand side. End valve (item III) not required. Inlet valve (pos. I)

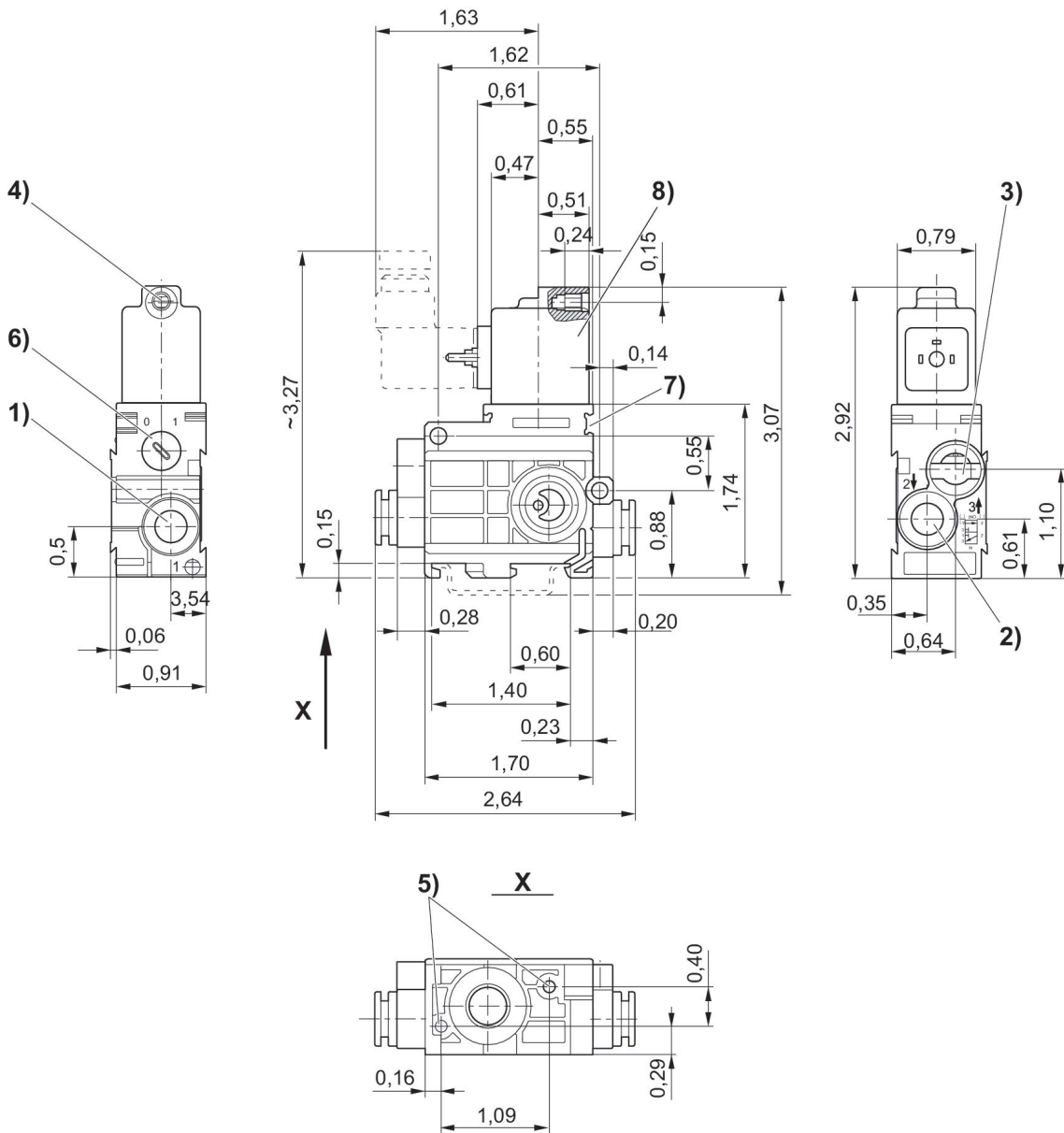
3/2-directional valve, Series 579

push-in fitting
Electrically
NC



Version	Type	Switching principle	Compressed air connection input	Compressed air connection output	Operational voltage DC	Operational voltage AC at 50 Hz	Operational voltage AC at 60 Hz	Voltage tolerance DC	Pilot	Manual override	LED	Part No.
NC	Single valve	3/2, with spring return	Ø 1/4"	Ø 1/4"	24 V DC			-10% / +10%	Internal	with detent		5794400320
NC	Single valve	3/2, with spring return	Ø 1/4"	Ø 1/4"	24 V DC			-10% / +10%	Internal	with detent		5794400720
NC	Single valve	3/2, with spring return	Ø 1/4"	Ø 1/4"	24 V AC	24 V	24 V		Internal	with detent		5794405320
NC	Single valve	3/2, with spring return			110 V AC	110 V	110 V		Internal	with detent		5794405370
NC	Single valve	3/2, with spring return			230 V AC	230 V	230 V		Internal	with detent		5794405380
NC	Single valve	3/2, with spring return			230 V AC	230 V	230 V		Internal	with detent	Red	5794405780
NC	Single valve	3/2, with spring return	Ø 1/4"	Ø 1/4"	12 V DC			-10% / +10%	Internal	with detent		5794400310

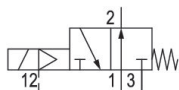
Dimensions in inches



1) Port 1 2) Port 2 3) Port 3, core Ø for M5 4) Manual override 5) Pocket hole 6 mm deep for 3.5 self-tapping screw 6) Mounting space for name plate 7) Coil can be rotated at 180° intervals 8) Pilot valve

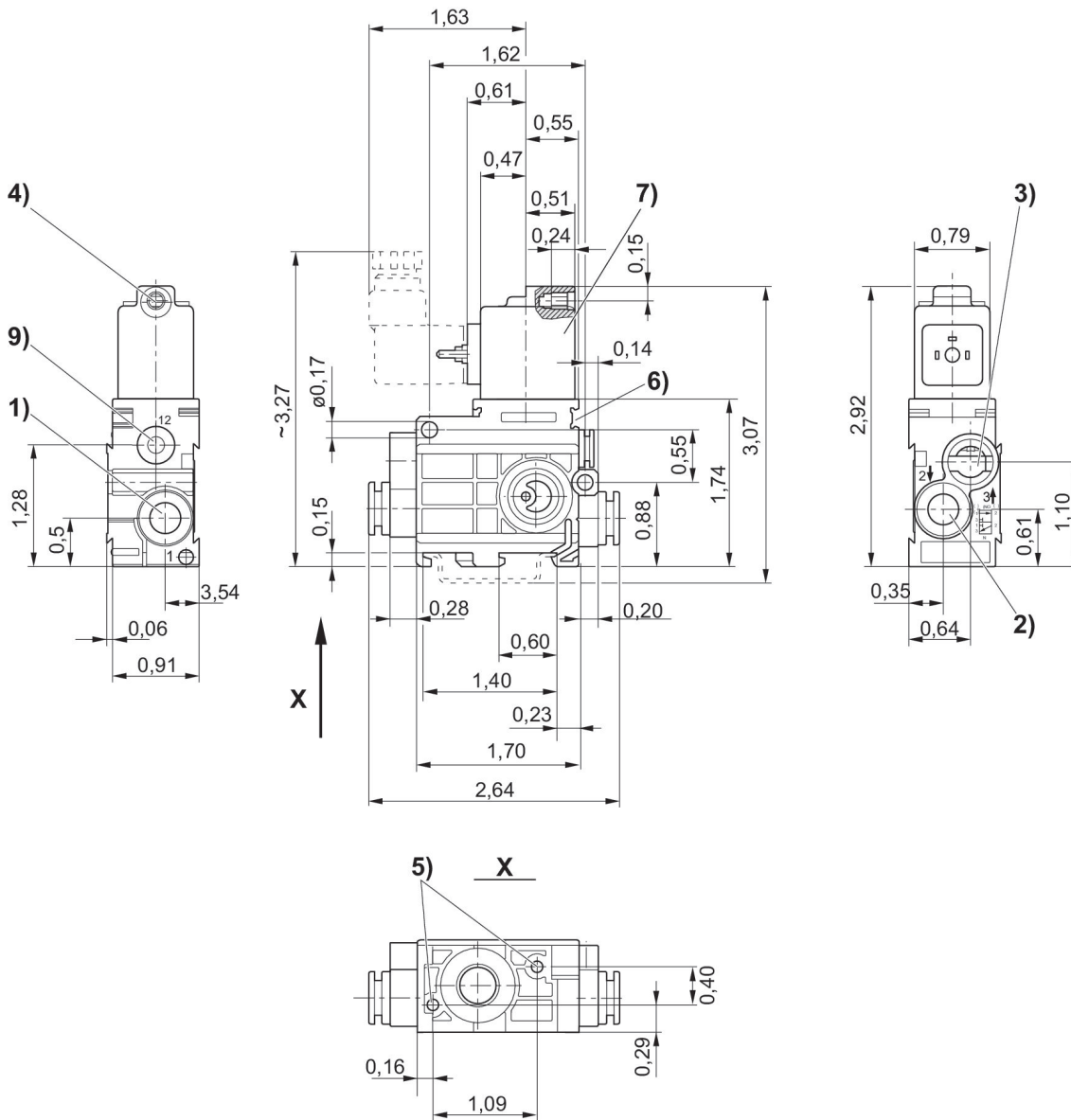
3/2-directional valve, Series 579

Electrically
Ø 1/4"
NO



Version	Type	Switching principle	Compressed air connection input	Compressed air connection output	Operational voltage DC	Operational voltage AC at 50 Hz	Operational voltage AC at 60 Hz	Voltage tolerance DC	Min. control pressure [bar]	Max. control pressure [bar]	Pilot	LED	Part No.
NO	Single valve	3/2, with spring return	Ø 1/4"	Ø 1/4"	12 V DC			-10% / +10%	2	8	External		5794420310
NO	Single valve	3/2, with spring return	Ø 1/4"	Ø 1/4"	24 V DC			-10% / +10%	2	8	External		5794420320
NO	Single valve	3/2, with spring return	Ø 1/4"	Ø 1/4"	24 V DC			-10% / +10%	2	8	External	Red	5794420720
NO	Single valve	3/2, with spring return	Ø 1/4"	Ø 1/4"	24 V AC	24 V	24 V		2	8	External		5794425320
NO	Single valve	3/2, with spring return	Ø 1/4"	Ø 1/4"	110 V AC	110 V	110 V		2	8	External		5794425370
NO	Single valve	3/2, with spring return	Ø 1/4"	Ø 1/4"	230 V AC	230 V	230 V		2	8	External		5794425380
NO	Single valve	3/2, with spring return	Ø 1/4"	Ø 1/4"	230 V AC	230 V	230 V		2	8	External	Red	5794425780

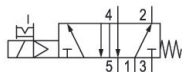
Dimensions in inches



1) port 1 2) port 2 3) port 3 4) core Ø for M 5 5) pocket hole 6 mm deep for 3.5 self-tapping screw 6) manual override 7) Pilot valve 8) coil can be rotated at 180° intervals

5/2-directional valve, Series 579

push-in fitting
Electrically



Type	Switching principle	Compressed air connection input	Compressed air connection output	Operational voltage DC	Operational voltage AC at 50 Hz	Operational voltage AC at 60 Hz	Voltage tolerance DC	Pilot	Manual override	LED	Part No.
Single valve	5/2, with spring return	Ø 1/4"	Ø 1/4"	12 V DC			-10% / +10%	Internal	with detent		5794700310
Single valve	5/2, with spring return	Ø 1/4"	Ø 1/4"	24 V DC			-10% / +10%	Internal	with detent		5794700320
Single valve	5/2, with spring return	Ø 1/4"	Ø 1/4"	24 V DC			-10% / +10%	Internal	with detent	Red	5794700720
Single valve	5/2, with spring return	Ø 1/4"	Ø 1/4"	24 V AC	24 V	24 V		Internal	with detent		5794705320
Single valve	5/2, with spring return	Ø 1/4"	Ø 1/4"	110 V AC	110 V	110 V		Internal	with detent		5794705370
Single valve	5/2, with spring return	Ø 1/4"	Ø 1/4"	230 V AC	230 V	230 V		Internal	with detent		5794705380
Single valve	5/2, with spring return	Ø 1/4"	Ø 1/4"	230 V AC	230 V	230 V		Internal	with detent	Red	5794705780

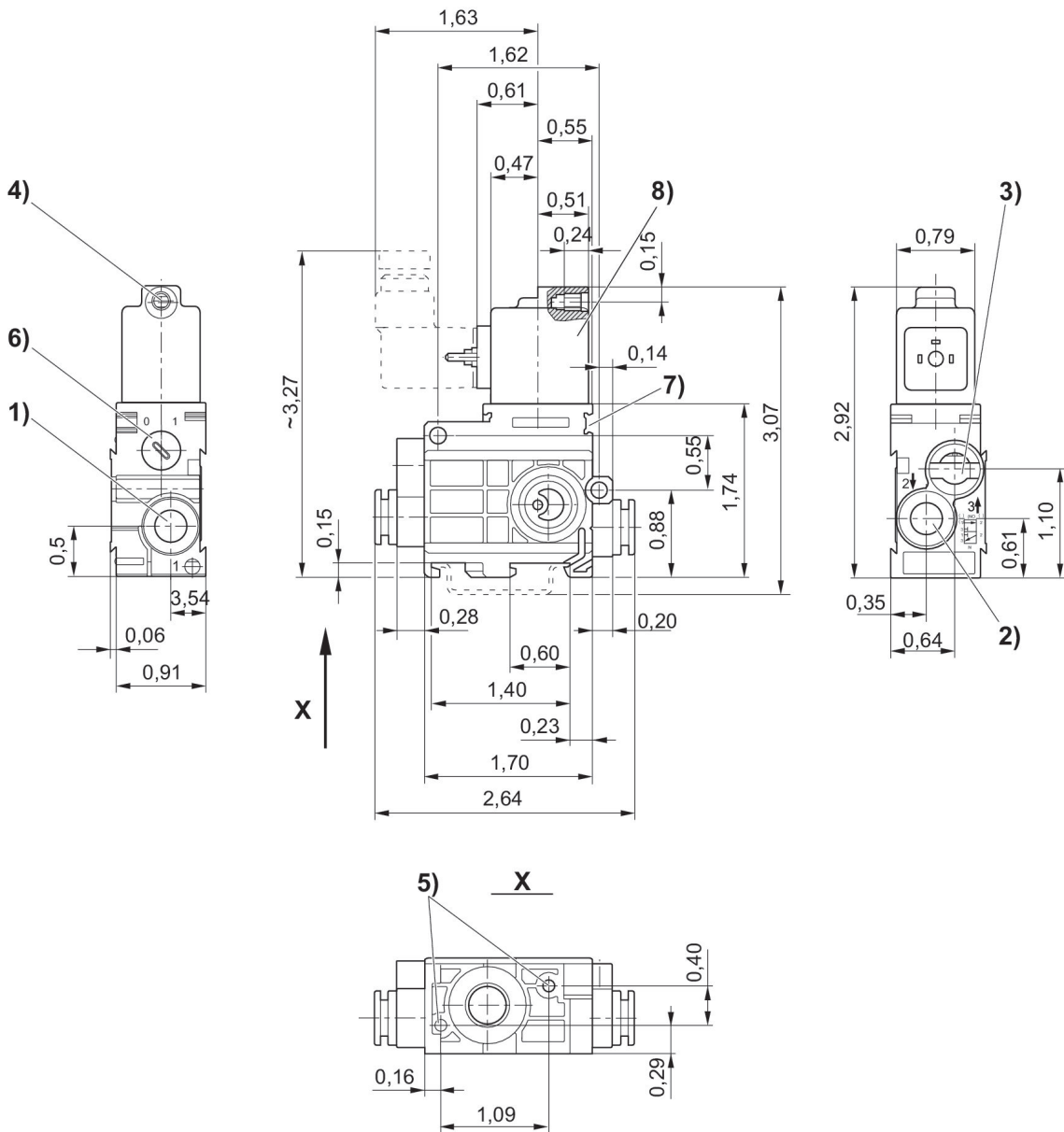
3/2-directional valve, Series 579

520 l/min
push-in fitting
Electrically
NC



Version	Type	Switching principle	Compressed air connection input	Operational voltage DC	Operational voltage AC at 50 Hz	Operational voltage AC at 60 Hz	Voltage tolerance DC	Min. control pressure [bar]	Max. control pressure [bar]	Pilot	Manual override	Part No.
NC	Single valve	3/2, with spring return	Ø 1/4"	12 V DC			-10% / +10%	2	8	Internal	with detent	5794470310
NC	Single valve	3/2, with spring return	Ø 1/4"	24 V DC			-10% / +10%	2	8	Internal	with detent	5794470320
NC	Single valve	3/2, with spring return	Ø 1/4"	24 V DC			-10% / +10%	2	8	Internal	with detent	5794470720
NC	Single valve	3/2, with spring return	Ø 1/4"	24 V AC	24 V	24 V		2	8	Internal	with detent	5794475320
NC	Single valve	3/2, with spring return	Ø 1/4"	110 V AC	110 V	110 V		2	8	Internal	with detent	5794475370
NC	Single valve	3/2, with spring return	Ø 1/4"	230 V AC	230 V	230 V		2	8	Internal	with detent	5794475380
NC	Single valve	3/2, with spring return	Ø 1/4"	230 V AC	230 V	230 V		2	8	Internal	with detent	5794475780

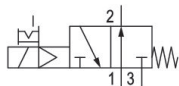
Dimensions in inches



1) Port 1 2) Port 2 3) Port 3, exhaust air must not be throttled 4) Core Ø for M5 5) Pocket hole 6 mm deep for 3.5 self-tapping screw 6) Manual override 7) Pilot valve 8) Coil can be rotated at 180° intervals

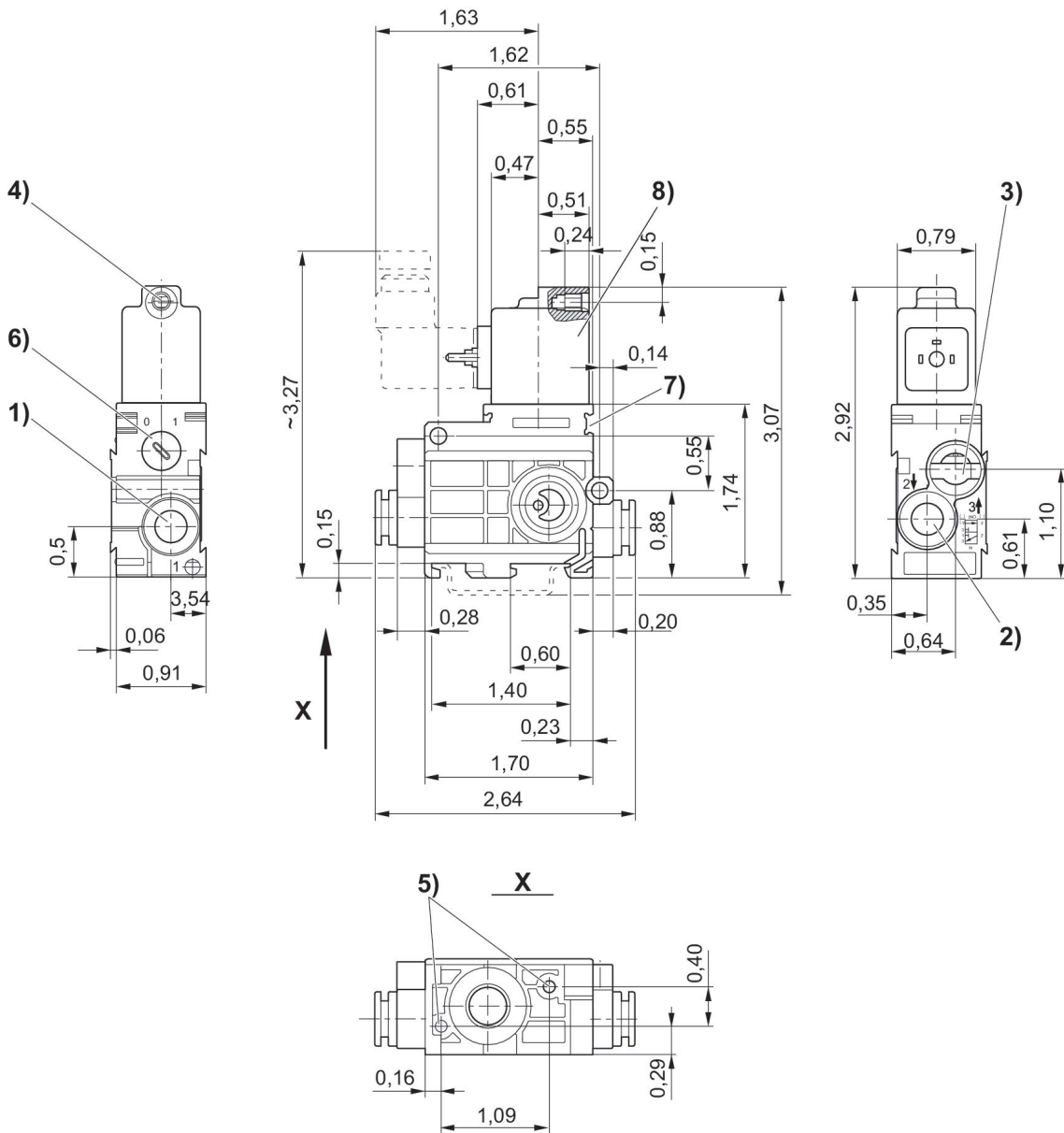
3/2-directional valve, Series 579

520 l/min
push-in fitting
Electrically
NO



Version	Type	Switching principle	Compressed air connection input	Compressed air connection output	Operational voltage DC	Operational voltage AC at 50 Hz	Operational voltage AC at 60 Hz	Voltage tolerance DC	Pilot	Manual override	Part No.
NO	Single valve	3/2, with spring return	Ø 1/4"	Ø 1/4"	12 V DC			-10% / +10%	Internal	with detent	5794410310
NO	Single valve	3/2, with spring return	Ø 1/4"	Ø 1/4"	24 V DC			-10% / +10%	Internal	with detent	5794410320
NO	Single valve	3/2, with spring return	Ø 1/4"	Ø 1/4"	24 V DC			-10% / +10%	Internal	with detent	5794410720
NO	Single valve	3/2, with spring return	Ø 1/4"	Ø 1/4"	24 V AC	24 V	24 V		Internal	with detent	5794415320
NO	Single valve	3/2, with spring return	Ø 1/4"	Ø 1/4"	110 V AC	110 V	110 V		Internal	with detent	5794415370
NO	Single valve	3/2, with spring return	Ø 1/4"	Ø 1/4"	230 V AC	230 V	230 V		Internal	with detent	5794415380
NO	Single valve	3/2, with spring return	Ø 1/4"	Ø 1/4"	230 V AC	230 V	230 V		Internal	with detent	5794415780

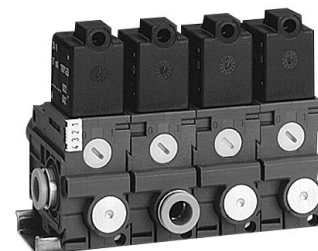
Dimensions in inches



1) Port 1 2) Port 2 3) Port 3, exhaust air must not be throttled 4) Core Ø for M5 5) Pocket hole 6 mm deep for 3.5 self-tapping screw 6) Manual override 7) Pilot valve 8) Coil can be rotated at 180° intervals

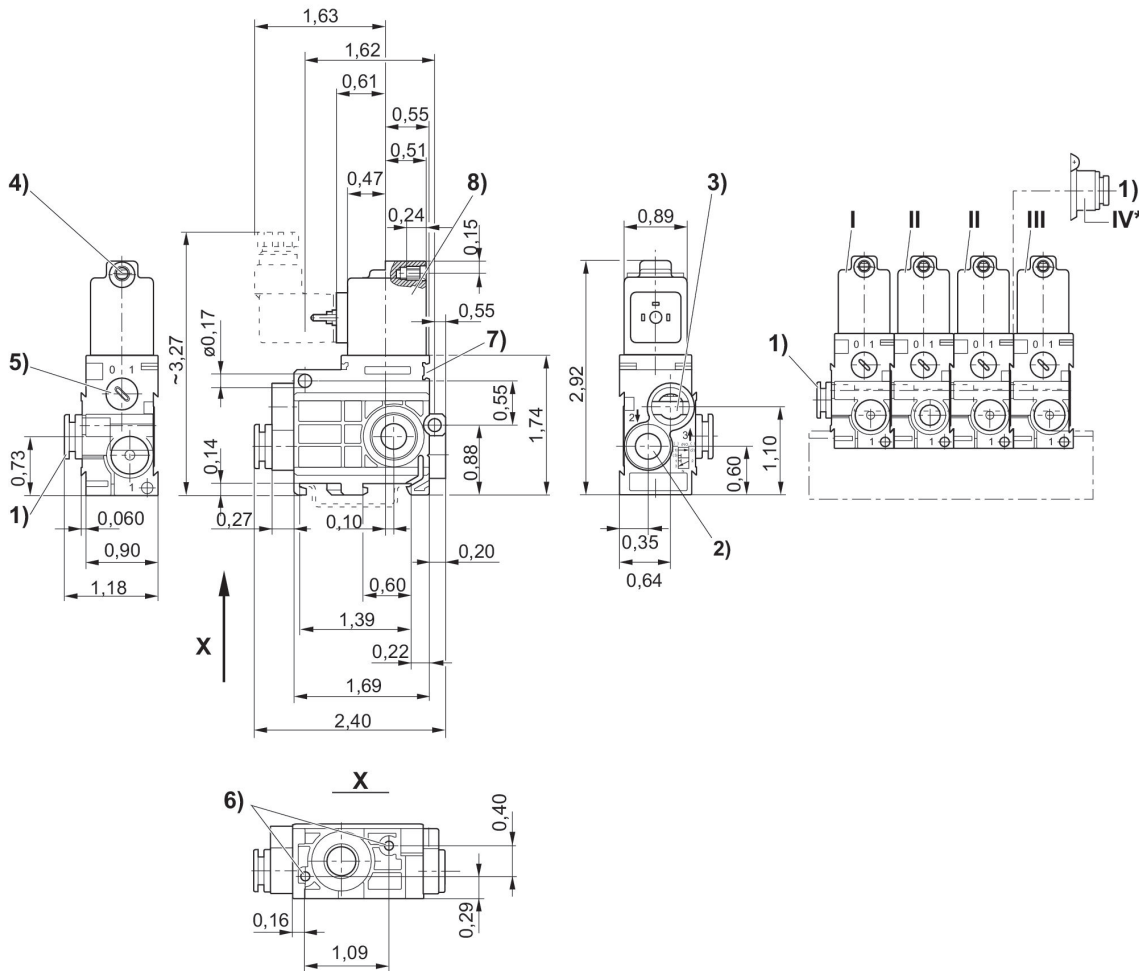
3/2-directional valve, Series 579

520 l/min
push-in fitting
Electrically
NO



Version	Type	Switching principle	Operational voltage DC	Voltage tolerance DC	Pilot	Manual override	Part No.
NO	Inlet valve	3/2, with spring return	12 V DC	-10% / +10%	Internal	with detent	5790410310
NO	Inlet valve	3/2, with spring return	12 V DC	-10% / +10%	Internal	with detent	5790510310
NO	Stacking valve	3/2, with spring return	12 V DC	-10% / +10%	Internal	with detent	5791510310
NO	Stacking valve, additional pressure connection	3/2, with spring return	12 V DC	-10% / +10%	Internal	with detent	5796410310
NO	Stacking valve, additional pressure connection	3/2, with spring return	12 V DC	-10% / +10%	Internal	with detent	5796510310
NO	End valve	3/2, with spring return	12 V DC	-10% / +10%	Internal	with detent	5792510310
NO	Stacking valve, additional pressure connection	3/2, with spring return	24 V DC	-10% / +10%	Internal	with detent	5796410320
NO	Inlet valve	3/2, with spring return	24 V DC	-10% / +10%	Internal	with detent	5790510320
NO	Stacking valve	3/2, with spring return	24 V DC	-10% / +10%	Internal	with detent	5791510320
NO	Stacking valve, additional pressure connection	3/2, with spring return	24 V DC	-10% / +10%	Internal	with detent	5796510320
NO	End valve	3/2, with spring return	24 V DC	-10% / +10%	Internal	with detent	5792510320
NO	Inlet valve	3/2, with spring return	24 V DC	-10% / +10%	Internal	with detent	5790410720
NO	Inlet valve	3/2, with spring return	24 V DC	-10% / +10%	Internal	with detent	5790510720
NO	Stacking valve	3/2, with spring return	24 V DC	-10% / +10%	Internal	with detent	5791510720
NO	Stacking valve, additional pressure connection	3/2, with spring return	24 V DC	-10% / +10%	Internal	with detent	5796410720
NO	Stacking valve, additional pressure connection	3/2, with spring return	24 V DC	-10% / +10%	Internal	with detent	5796510720
NO	End valve	3/2, with spring return	24 V DC	-10% / +10%	Internal	with detent	5792510720

Dimensions in inches

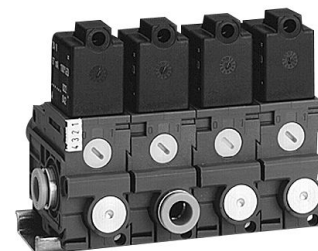


1) Port 1 2) Port 2 3) Port 3, exhaust air must not be throttled 4) Core Ø for M5 5) Manual override 6) Pocket hole 6 mm deep for 3.5 self-tapping screw 7) Mounting space for name plate 8) Coil can be rotated at 180° intervals * Air conn. module (item IV) mounted onto stacking valve (item II) permits additional air supply from right hand side. End valve (item III) not required.

I = Inlet valve, II = Stacking valve, III = End valve

3/2-directional valve, Series 579

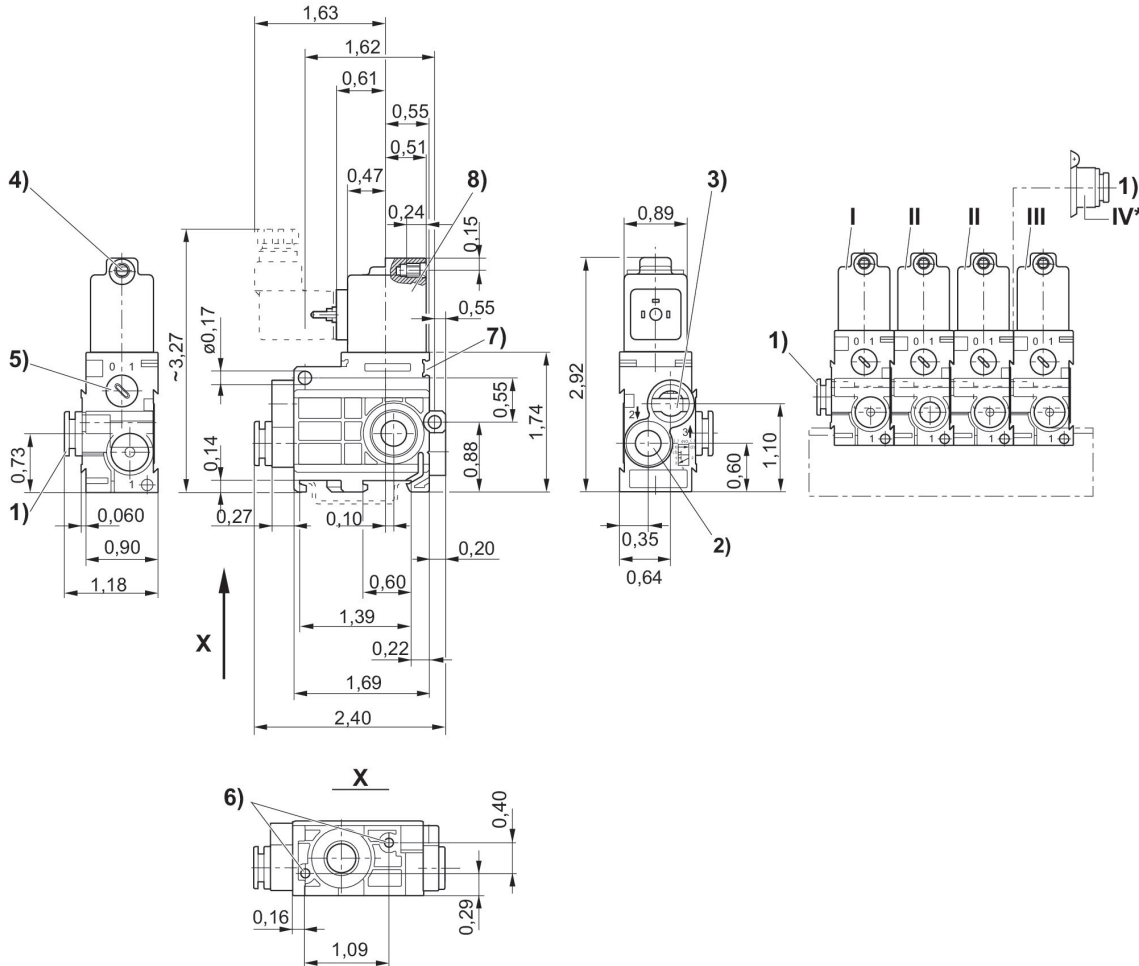
push-in fitting
Electrically
NO



Version	Type	Switching principle	Compressed air connection input	Compressed air connection output	Operational voltage DC	Operational voltage AC at 50 Hz	Operational voltage AC at 60 Hz	Pilot	Manual override	Part No.
NO	Inlet valve	3/2, with spring return	Ø 1/4"	Ø 1/4"	24 V AC	24 V	24 V	Internal	with detent	5790415320
NO	Inlet valve	3/2, with spring return	Ø 1/4"	5/16"	24 V AC	24 V	24 V	Internal	with detent	5790515320
NO	Stacking valve	3/2, with spring return		Ø 1/4"	24 V AC	24 V	24 V	Internal	with detent	5791515320
NO	Stacking valve, additional pressure connection	3/2, with spring return	Ø 1/4"	Ø 1/4"	24 V AC	24 V	24 V	Internal	with detent	5796415320
NO	Stacking valve, additional pressure connection	3/2, with spring return	Ø 1/4"	5/16"	24 V AC	24 V	24 V	Internal	with detent	5796515320
NO	End valve	3/2, with spring return		Ø 1/4"	24 V AC	24 V	24 V	Internal	with detent	5792515320
NO	Inlet valve	3/2, with spring return	Ø 1/4"	Ø 1/4"	110 V AC	110 V	110 V	Internal	with detent	5790415370
NO	Inlet valve	3/2, with spring return	5/16"	Ø 1/4"	110 V AC	110 V	110 V	Internal	with detent	5790515370
NO	Stacking valve	3/2, with spring return		Ø 1/4"	110 V AC	110 V	110 V	Internal	with detent	5791515370
NO	Stacking valve, additional pressure connection	3/2, with spring return	Ø 1/4"	Ø 1/4"	110 V AC	110 V	110 V	Internal	with detent	5796415370
NO	Stacking valve, additional pressure connection	3/2, with spring return	5/16"	Ø 1/4"	110 V AC	110 V	110 V	Internal	with detent	5796515370

Version	Type	Switching principle	Compressed air connection input	Compressed air connection output	Operational voltage DC	Operational voltage AC at 50 Hz	Operational voltage AC at 60 Hz	Pilot	Manual override	Part No.
NO	End valve	3/2, with spring return		Ø 1/4"	110 V AC	110 V	110 V	Internal	with detent	5792515370

Dimensions in inches

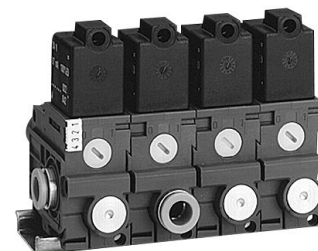


1) Port 1 2) Port 2 3) Port 3, exhaust air must not be throttled 4) Core Ø for M5 5) Manual override 6) Pocket hole 6 mm deep for 3.5 self-tapping screw 7) Mounting space for name plate 8) Coil can be rotated at 180° intervals * Air conn. module (item IV) mounted onto stacking valve (item II) permits additional air supply from right hand side. End valve (item III) not required.

I = Inlet valve, II = Stacking valve, III = End valve

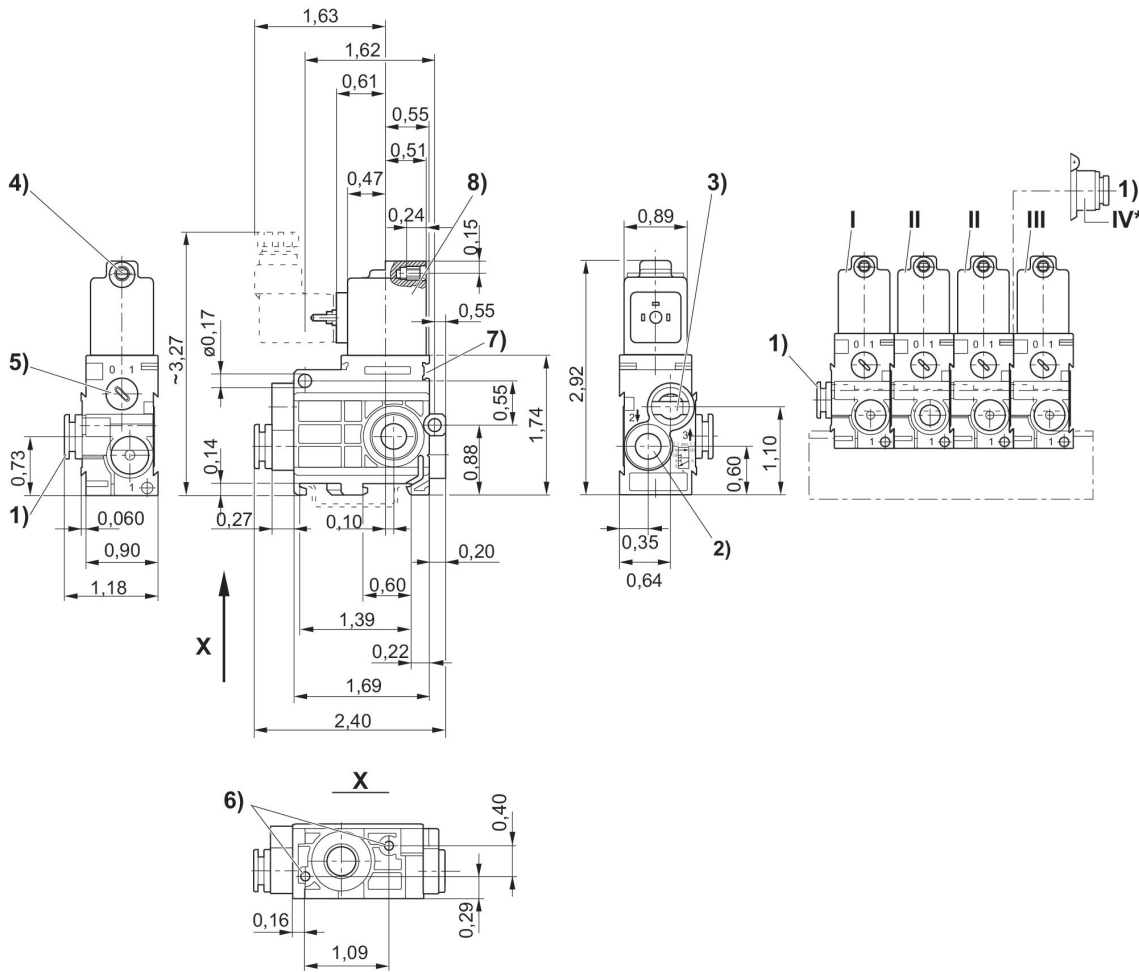
3/2-directional valve, Series 579

push-in fitting
Electrically
NO



Version	Type	Switching principle	Compressed air connection input	Compressed air connection output	Operational voltage DC	Operational voltage AC at 50 Hz	Operational voltage AC at 60 Hz	Pilot	Manual override	Part No.
NO	Inlet valve	3/2, with spring return	Ø 1/4"	Ø 1/4"	230 V AC	230 V	230 V	Internal	with detent	5790415380
NO	Inlet valve	3/2, with spring return	Ø 1/4"	Ø 1/4"	230 V AC	230 V	230 V	Internal	with detent	5790515380
NO	Stacking valve	3/2, with spring return		Ø 1/4"	230 V AC	230 V	230 V	Internal	with detent	5791515380
NO	Stacking valve, additional pressure connection	3/2, with spring return	Ø 1/4"	Ø 1/4"	230 V AC	230 V	230 V	Internal	with detent	5796415380
NO	Stacking valve, additional pressure connection	3/2, with spring return	Ø 1/4"	Ø 1/4"	230 V AC	230 V	230 V	Internal	with detent	5796515380
NO	Inlet valve	3/2, with spring return	Ø 1/4"	Ø 1/4"	230 V AC	230 V	230 V	Internal	with detent	5790415780
NO	Inlet valve	3/2, with spring return	Ø 1/4"	Ø 1/4"	230 V AC	230 V	230 V	Internal	with detent	5790515780
NO	Stacking valve	3/2, with spring return		Ø 1/4"	230 V AC	230 V	230 V	Internal	with detent	5791515780
NO	Stacking valve, additional pressure connection	3/2, with spring return	Ø 1/4"	Ø 1/4"	230 V AC	230 V	230 V	Internal	with detent	5796415780
NO	Stacking valve, additional pressure connection	3/2, with spring return	Ø 1/4"	Ø 1/4"	230 V AC	230 V	230 V	Internal	with detent	5792515380
NO	End valve	3/2, with spring return	Ø 1/4"	Ø 1/4"	230 V AC	230 V	230 V	Internal	with detent	5796515780

Dimensions in inches



1) Port 1 2) Port 2 3) Port 3, exhaust air must not be throttled 4) Core Ø for M5 5) Manual override 6) Pocket hole 6 mm deep for 3.5 self-tapping screw 7) Mounting space for name plate 8) Coil can be rotated at 180° intervals * Air conn. module (item IV) mounted onto stacking valve (item II) permits additional air supply from right hand side. End valve (item III) not required.

I = Inlet valve, II = Stacking valve, III = End valve

3/2-directional valve, Series 579

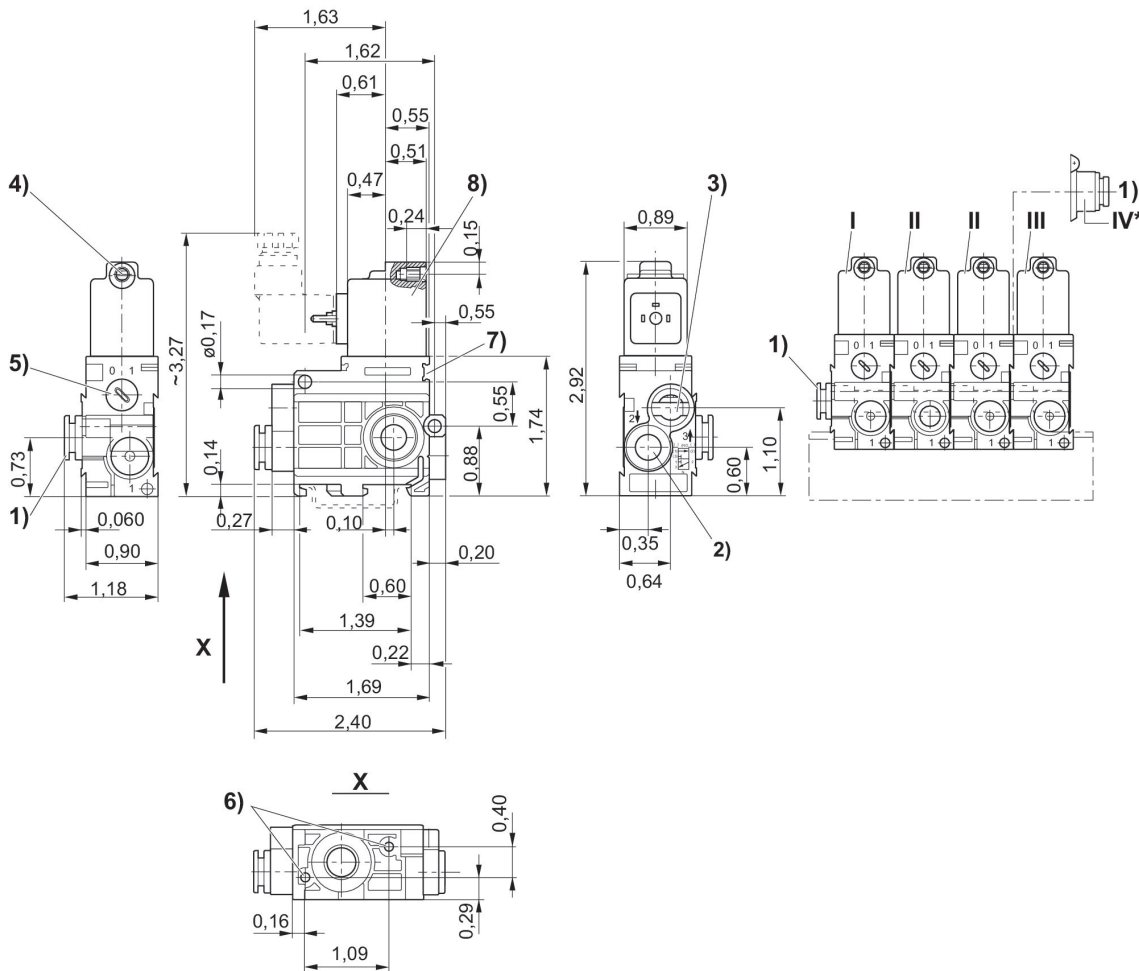
push-in fitting
Electrically
NO



Version	Type	Switching principle	Compressed air connection input	Compressed air connection output	Operational voltage DC	Operational voltage AC at 50 Hz	Operational voltage AC at 60 Hz	Voltage tolerance DC	Pilot	Manual override	Part No.
NO	Inlet valve	3/2, with spring return	Ø 1/4"	Ø 1/4"	24 V DC			-10% / +10%	Internal	with detent	5790425320
NO	Inlet valve	3/2, with spring return	Ø 1/4"	Ø 1/4"	24 V DC			-10% / +10%	Internal	with detent	5790525320
NO	Stacking valve	3/2, with spring return		Ø 1/4"	24 V DC			-10% / +10%	Internal	with detent	5791525320
NO	Stacking valve, additional pressure connection	3/2, with spring return	Ø 1/4"	Ø 1/4"	24 V DC			-10% / +10%	Internal	with detent	5796425320
NO	Stacking valve, additional pressure connection	3/2, with spring return	Ø 1/4"	Ø 1/4"	24 V DC			-10% / +10%	Internal	with detent	5796525320
NO	End valve	3/2, with spring return	Ø 1/4"	Ø 1/4"	24 V DC			-10% / +10%	Internal	with detent	5792525320
NO	Inlet valve	3/2, with spring return	Ø 1/4"	Ø 1/4"	110 V AC	110 V	110 V		Internal	with detent	5790425370
NO	Inlet valve	3/2, with spring return	5/16"	Ø 1/4"	110 V AC	110 V	110 V		Internal	with detent	5790525370
NO	Stacking valve	3/2, with spring return		Ø 1/4"	110 V AC	110 V	110 V		Internal	with detent	5791525370
NO	Stacking valve, additional pressure connection	3/2, with spring return	Ø 1/4"	Ø 1/4"	110 V AC	110 V	110 V		Internal	with detent	5796425370

Version	Type	Switching principle	Compressed air connection input	Compressed air connection output	Operational voltage DC	Operational voltage AC at 50 Hz	Operational voltage AC at 60 Hz	Voltage tolerance DC	Pilot	Manual override	Part No.
NO	Stacking valve, additional pressure connection	3/2, with spring return	5/16"	Ø 1/4"	110 V AC	110 V	110 V		Internal	with detent	5796525370
NO	End valve	3/2, with spring return		Ø 1/4"	110 V AC	110 V	110 V		Internal	with detent	5792525370

Dimensions in inches



1) Port 1 2) Port 2 3) Port 3, exhaust air must not be throttled 4) Core Ø for M5 5) Manual override 6) Pocket hole 6 mm deep for 3.5 self-tapping screw 7) Mounting space for name plate 8) Coil can be rotated at 180° intervals * Air conn. module (item IV) mounted onto stacking valve (item II) permits additional air supply from right hand side. End valve (item III) not required.
I = Inlet valve, II = Stacking valve, III = End valve

3/2-directional valve, Series 579

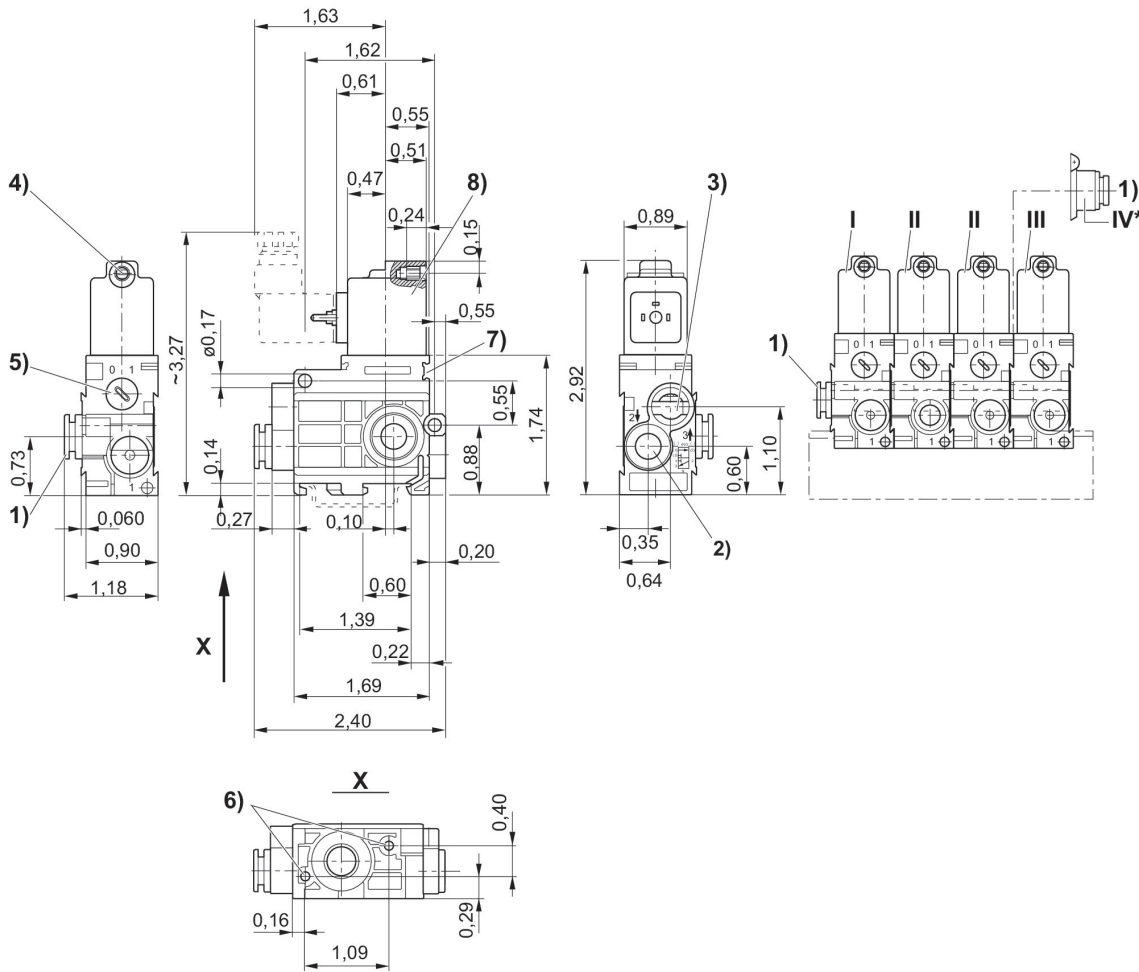
push-in fitting
Electrically
NO



Version	Type	Switching principle	Compressed air connection input	Compressed air connection output	Operational voltage DC	Voltage tolerance DC	Min. control pressure [bar]	Max. control pressure [bar]	Pilot	Part No.
NO	Inlet valve	3/2, with spring return	Ø 1/4"	Ø 1/4"	12 V DC	-10% / +10%	2	8	External	5790420310
NO	Inlet valve	3/2, with spring return	Ø 1/4"	5/16"	12 V DC	-10% / +10%	2	8	External	5790520310
NO	Stacking valve	3/2, with spring return		Ø 1/4"	12 V DC	-10% / +10%	2	8	External	5791520310
NO	Stacking valve, additional pressure connection	3/2, with spring return	Ø 1/4"	Ø 1/4"	12 V DC	-10% / +10%	2	8	External	5796420310
NO	Stacking valve, additional pressure connection	3/2, with spring return	5/16"	Ø 1/4"	12 V DC	-10% / +10%	2	8	External	5796520310
NO	End valve	3/2, with spring return		Ø 1/4"	12 V DC	-10% / +10%	2	8	External	5792520310
NO	Inlet valve	3/2, with spring return	Ø 1/4"	Ø 1/4"	24 V DC	-10% / +10%	2	8	External	5790420320
NO	Inlet valve	3/2, with spring return	5/16"	Ø 1/4"	24 V DC	-10% / +10%	2	8	External	5790520320
NO	Stacking valve	3/2, with spring return		Ø 1/4"	24 V DC	-10% / +10%	2	8	External	5791520320
NO	Stacking valve, additional pressure connection	3/2, with spring return	Ø 1/4"	Ø 1/4"	24 V DC	-10% / +10%	2	8	External	5796420320
NO	Stacking valve, additional pressure connection	3/2, with spring return	5/16"	Ø 1/4"	24 V DC	-10% / +10%	2	8	External	5796520320

Version	Type	Switching principle	Compressed air connection input	Compressed air connection output	Operational voltage DC	Voltage tolerance DC	Min. control pressure [bar]	Max. control pressure [bar]	Pilot	Part No.
NO	End valve	3/2, with spring return		Ø 1/4"	24 V DC	-10% / +10%	2	8	External	5792520320
NO	Inlet valve	3/2, with spring return	Ø 1/4"	Ø 1/4"	24 V DC	-10% / +10%	2	8	External	5790420720
NO	Inlet valve	3/2, with spring return	5/16"	Ø 1/4"	24 V DC	-10% / +10%	2	8	External	5790520720
NO	Stacking valve	3/2, with spring return		Ø 1/4"	24 V DC	-10% / +10%	2	8	External	5791520720
NO	Stacking valve, additional pressure connection	3/2, with spring return	Ø 1/4"	Ø 1/4"	24 V DC	-10% / +10%	2	8	External	5796420720
NO	Stacking valve, additional pressure connection	3/2, with spring return	5/16"	Ø 1/4"	24 V DC	-10% / +10%	2	8	External	5796520720
NO	End valve	3/2, with spring return		Ø 1/4"	24 V DC	-10% / +10%	2	8	External	5792520720

Dimensions in inches



1) Port 1 2) Port 2 3) Port 3, exhaust air must not be throttled 4) Core Ø for M5 5) Manual override 6) Pocket hole 6 mm deep for 3.5 self-tapping screw 7) Mounting space for name plate 8) Coil can be rotated at 180° intervals * Air conn. module (item IV) mounted onto stacking valve (item II) permits additional air supply from right hand side. End valve (item III) not required.
I = Inlet valve, II = Stacking valve, III = End valve

3/2-directional valve, Series 579

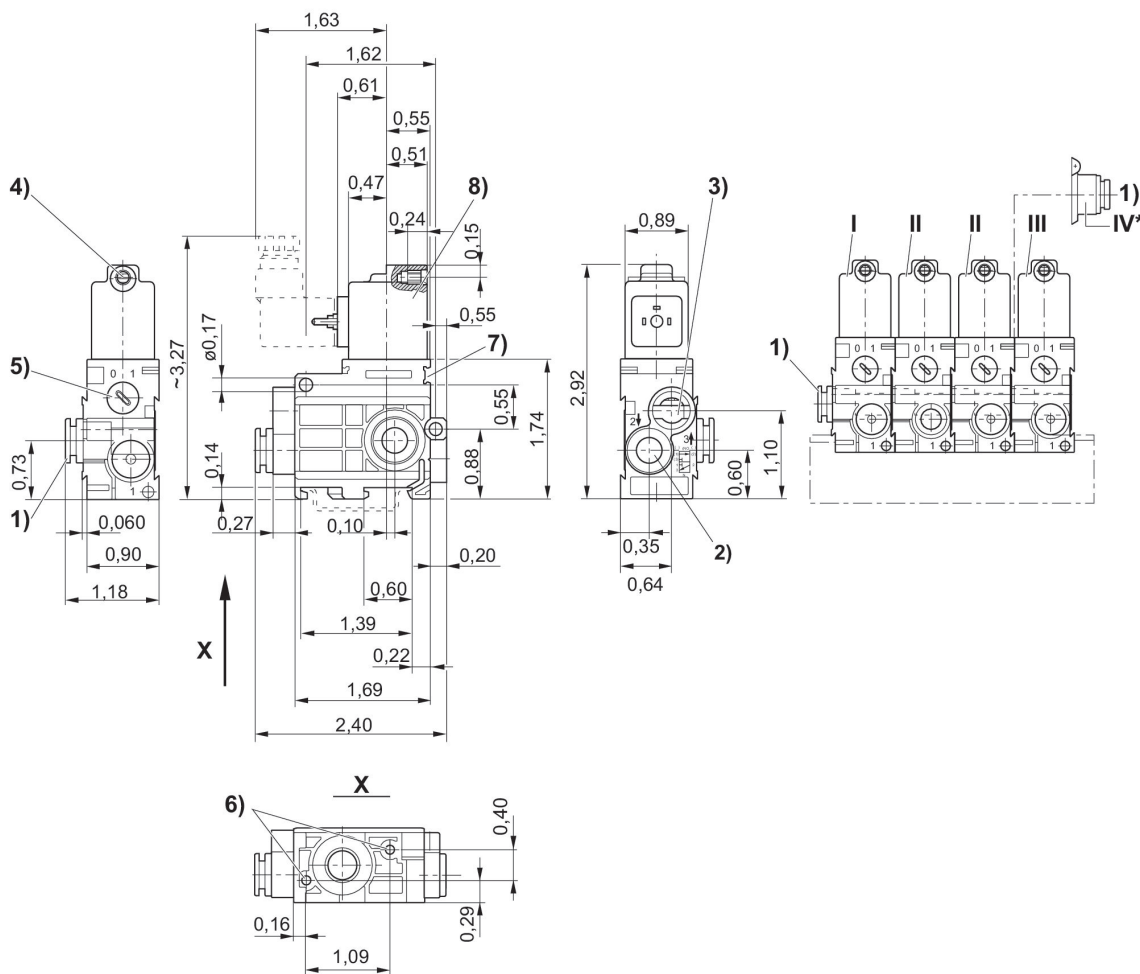
push-in fitting
Electrically
NO



Version	Type	Switching principle	Compressed air connection input	Compressed air connection output	Operational voltage DC	Operational voltage AC at 50 Hz	Operational voltage AC at 60 Hz	Min. control pressure [bar]	Max. control pressure [bar]	Pilot	Part No.
NO	Inlet valve	3/2, with spring return	Ø 1/4"	Ø 1/4"	230 V AC	230 V	230 V	2	8	External	5790425380
NO	Inlet valve	3/2, with spring return	5/16"	Ø 1/4"	230 V AC	230 V	230 V	2	8	External	5790525380
NO	Stacking valve	3/2, with spring return		Ø 1/4"	230 V AC	230 V	230 V	2	8	External	5791525380
NO	Stacking valve, additional pressure connection	3/2, with spring return	Ø 1/4"	Ø 1/4"	230 V AC	230 V	230 V	2	8	External	5796425380
NO	Stacking valve, additional pressure connection	3/2, with spring return	5/16"	Ø 1/4"	230 V AC	230 V	230 V	2	8	External	5796525380
NO	End valve	3/2, with spring return		Ø 1/4"	230 V AC	230 V	230 V	2	8	External	5792525380
NO	Inlet valve	3/2, with spring return	Ø 1/4"	Ø 1/4"	230 V AC	230 V	230 V	2	8	External	5790425780
NO	Inlet valve	3/2, with spring return	5/16"	Ø 1/4"	230 V AC	230 V	230 V	2	8	External	5790525780
NO	Stacking valve	3/2, with spring return		Ø 1/4"	230 V AC	230 V	230 V	2	8	External	5791525780
NO	Stacking valve, additional pressure connection	3/2, with spring return	Ø 1/4"	Ø 1/4"	230 V AC	230 V	230 V	2	8	External	5796425780

Version	Type	Switching principle	Compressed air connection input	Compressed air connection output	Operational voltage DC	Operational voltage AC at 50 Hz	Operational voltage AC at 60 Hz	Min. control pressure [bar]	Max. control pressure [bar]	Pilot	Part No.
NO	Stacking valve, additional pressure connection	3/2, with spring return	5/16"	Ø 1/4"	230 V AC	230 V	230 V	2	8	External	5796525780
NO	End valve	3/2, with spring return		Ø 1/4"	230 V AC	230 V	230 V	2	8	External	5792525780

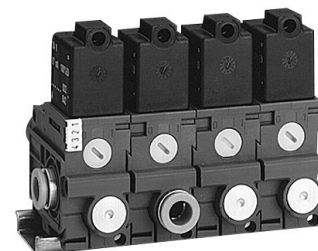
Dimensions in inches



1) Port 1 2) Port 2 3) Port 3, exhaust air must not be throttled 4) Core Ø for M5 5) Manual override 6) Pocket hole 6 mm deep for 3.5 self-tapping screw 7) Mounting space for name plate 8) Coil can be rotated at 180° intervals * Air conn. module (item IV) mounted onto stacking valve (item II) permits additional air supply from right hand side. End valve (item III) not required.
I = Inlet valve, II = Stacking valve, III = End valve

3/2-directional valve, Series 579

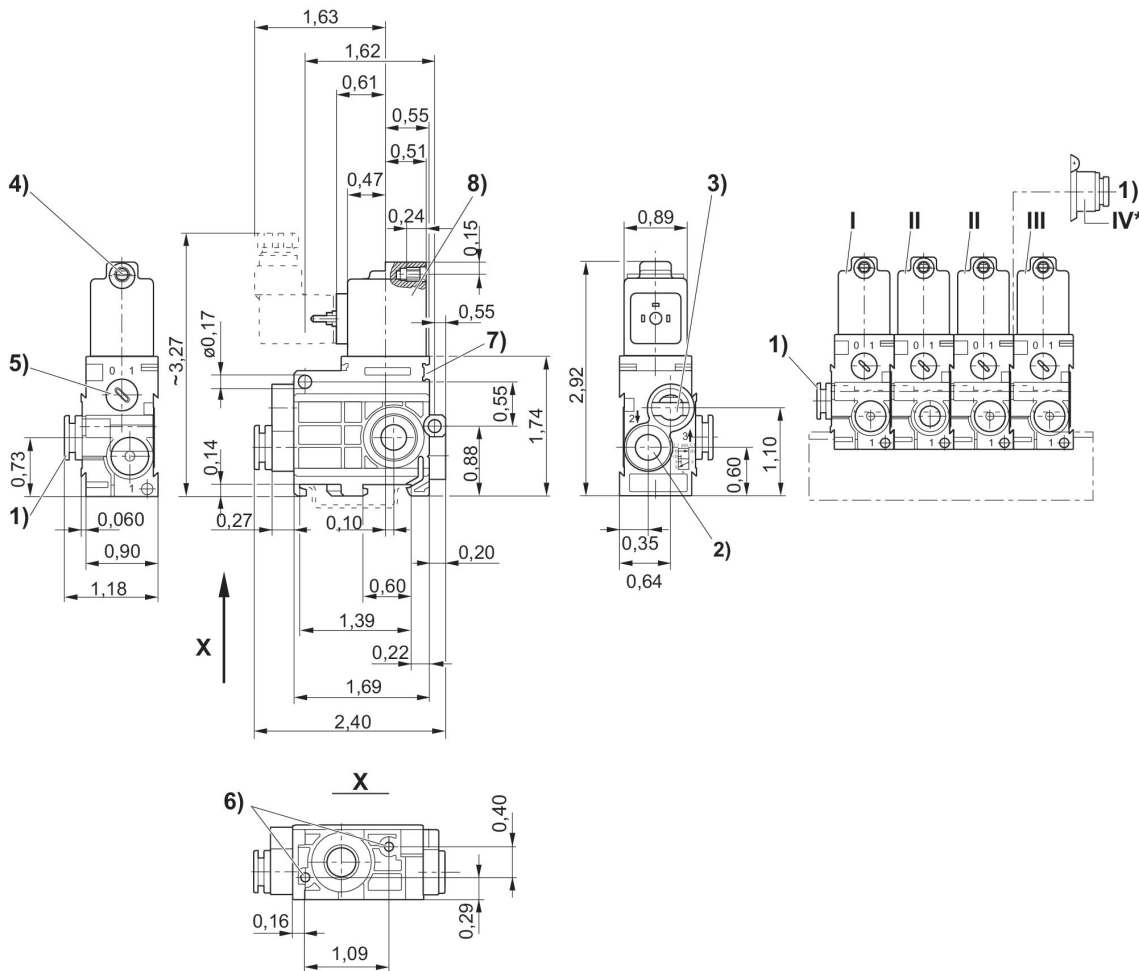
push-in fitting
Electrically
NC



Version	Type	Switching principle	Compressed air connection input	Compressed air connection output	Operational voltage DC	Operational voltage AC at 50 Hz	Operational voltage AC at 60 Hz	Voltage tolerance DC	Pilot	Manual override	Part No.
NC	Inlet valve	3/2, with spring return	Ø 1/4"	Ø 1/4"	24 V DC			-10% / +10%	Internal	with detent	5790405320
NC	Inlet valve	3/2, with spring return	5/16"	Ø 1/4"	24 V DC			-10% / +10%	Internal	with detent	5790505320
NC	Stacking valve	3/2, with spring return		Ø 1/4"	24 V DC			-10% / +10%	Internal	with detent	5791505320
NC	Stacking valve, additional pressure connection	3/2, with spring return	Ø 1/4"	Ø 1/4"	24 V DC			-10% / +10%	Internal	with detent	5796405320
NC	Stacking valve, additional pressure connection	3/2, with spring return	5/16"	Ø 1/4"	24 V DC			-10% / +10%	Internal	with detent	5796505320
NC	End valve	3/2, with spring return		Ø 1/4"	24 V DC			-10% / +10%	Internal	with detent	5792505320
NC	Inlet valve	3/2, with spring return	Ø 1/4"	Ø 1/4"	110 V AC	110 V	110 V		Internal	with detent	5790405370
NC	Inlet valve	3/2, with spring return	5/16"	Ø 1/4"	110 V AC	110 V	110 V		Internal	with detent	5790505370
NC	Stacking valve	3/2, with spring return		Ø 1/4"	110 V AC	110 V	110 V		Internal	with detent	5791505370
NC	Stacking valve, additional pressure connection	3/2, with spring return	Ø 1/4"	Ø 1/4"	110 V AC	110 V	110 V		Internal	with detent	5796405370

Version	Type	Switching principle	Compressed air connection input	Compressed air connection output	Operational voltage DC	Operational voltage AC at 50 Hz	Operational voltage AC at 60 Hz	Voltage tolerance DC	Pilot	Manual override	Part No.
NC	Stacking valve, additional pressure connection	3/2, with spring return	5/16"	Ø 1/4"	110 V AC	110 V	110 V		Internal	with detent	5796505370
NC	End valve	3/2, with spring return		Ø 1/4"	110 V AC	110 V	110 V		Internal	with detent	5792505370

Dimensions in inches

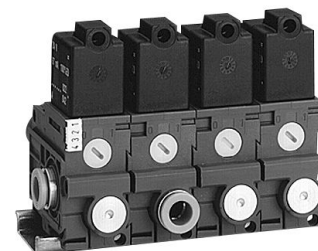


1) Port 1 2) Port 2 3) Port 3, exhaust air must not be throttled 4) Core Ø for M5 5) Manual override 6) Pocket hole 6 mm deep for 3.5 self-tapping screw 7) Mounting space for name plate 8) Coil can be rotated at 180° intervals * Air conn. module (item IV) mounted onto stacking valve (item II) permits additional air supply from right hand side. End valve (item III) not required.

I = Inlet valve, II = Stacking valve, III = End valve

3/2-directional valve, Series 579

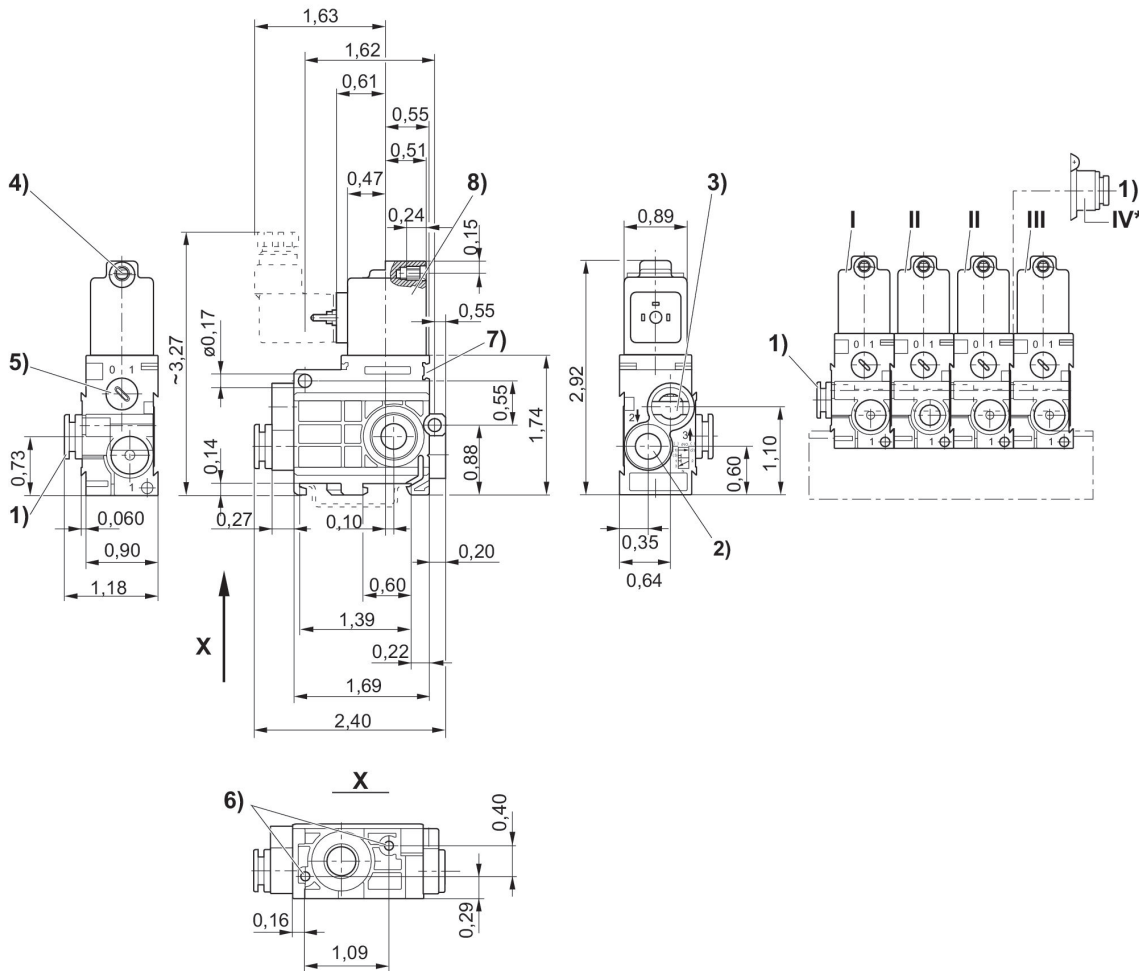
Electrically
NC



Version	Type	Switching principle	Compressed air connection input	Compressed air connection output	Operational voltage DC	Voltage tolerance DC	Pilot	Manual override	Part No.
NC	Inlet valve	3/2, with spring return	Ø 1/4"	Ø 1/4"	12 V DC	-10% / +10%	Internal	with detent	5790400310
NC	Inlet valve	3/2, with spring return	5/16"	Ø 1/4"	12 V DC	-10% / +10%	Internal	with detent	5790500310
NC	Stacking valve	3/2, with spring return		Ø 1/4"	12 V DC	-10% / +10%	Internal	with detent	5791500310
NC	Stacking valve, additional pressure connection	3/2, with spring return	Ø 1/4"	Ø 1/4"	12 V DC	-10% / +10%	Internal	with detent	5796400310
NC	Stacking valve, additional pressure connection	3/2, with spring return	5/16"	Ø 1/4"	12 V DC	-10% / +10%	Internal	with detent	5796500310
NC	End valve	3/2, with spring return		Ø 1/4"	12 V DC	-10% / +10%	Internal	with detent	5792500310
NC	Inlet valve	3/2, with spring return	Ø 1/4"	Ø 1/4"	24 V DC	-10% / +10%	Internal	with detent	5790400320
NC	Inlet valve	3/2, with spring return	5/16"	Ø 1/4"	24 V DC	-10% / +10%	Internal	with detent	5790500320
NC	Stacking valve	3/2, with spring return		Ø 1/4"	24 V DC	-10% / +10%	Internal	with detent	5791500320
NC	Stacking valve, additional pressure connection	3/2, with spring return	Ø 1/4"	Ø 1/4"	24 V DC	-10% / +10%	Internal	with detent	5796400320
NC	Stacking valve, additional pressure connection	3/2, with spring return	5/16"	Ø 1/4"	24 V DC	-10% / +10%	Internal	with detent	5796500320

Version	Type	Switching principle	Com-pressed air connec-tion input	Com-pressed air connec-tion output	Operational voltage DC	Voltage tol-erance DC	Pilot	Manual override	Part No.
NC	End valve	3/2, with spring re-turn		Ø 1/4"	24 V DC	-10% / +10%	Internal	with detent	5792500320
NC	Inlet valve	3/2, with spring re-turn	Ø 1/4"	Ø 1/4"	24 V DC	-10% / +10%	Internal	with detent	5790400720
NC	Inlet valve	3/2, with spring re-turn	5/16"	Ø 1/4"	24 V DC	-10% / +10%	Internal	with detent	5790500720
NC	Stacking valve	3/2, with spring re-turn		Ø 1/4"	24 V DC	-10% / +10%	Internal	with detent	5791500720
NC	Stacking valve, addi-tional pres-sure con-nection	3/2, with spring re-turn	Ø 1/4"	Ø 1/4"	24 V DC	-10% / +10%	Internal	with detent	5796400720
NC	Stacking valve, addi-tional pres-sure con-nection	3/2, with spring re-turn	5/16"	Ø 1/4"	24 V DC	-10% / +10%	Internal	with detent	5796500720
NC	End valve	3/2, with spring re-turn		Ø 1/4"	24 V DC	-10% / +10%	Internal	with detent	5792500720

Dimensions in inches

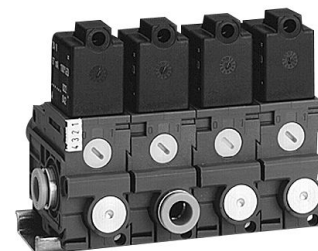


1) Port 1 2) Port 2 3) Port 3, exhaust air must not be throttled 4) Core Ø for M5 5) Manual override 6) Pocket hole 6 mm deep for 3.5 self-tapping screw 7) Mounting space for name plate 8) Coil can be rotated at 180° intervals * Air conn. module (item IV) mounted onto stacking valve (item II) permits additional air supply from right hand side. End valve (item III) not required.

I = Inlet valve, II = Stacking valve, III = End valve

3/2-directional valve, Series 579

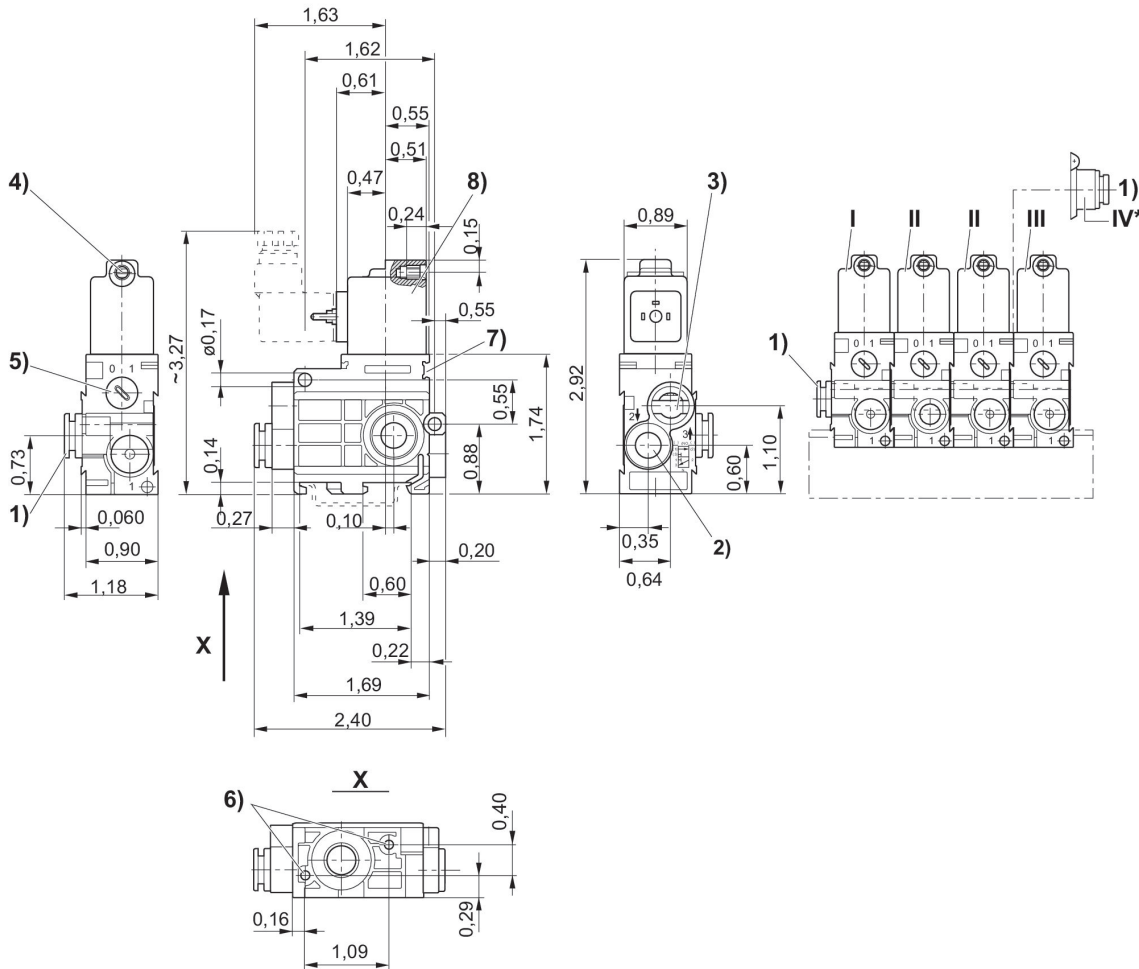
push-in fitting
Electrically
NC



Version	Type	Switching principle	Compressed air connection input	Compressed air connection output	Operational voltage DC	Operational voltage AC at 50 Hz	Operational voltage AC at 60 Hz	Pilot	Manual override	Part No.
NC	Inlet valve	3/2, with spring return	Ø 1/4"	Ø 1/4"	230 V AC	230 V	230 V	Internal	with detent	5790405380
NC	Stacking valve	3/2, with spring return	5/16"	Ø 1/4"	230 V AC	230 V	230 V	Internal	with detent	5790505380
NC	Stacking valve, additional pressure connection	3/2, with spring return		Ø 1/4"	230 V AC	230 V	230 V	Internal	with detent	5791505380
NC	Stacking valve, additional pressure connection	3/2, with spring return	Ø 1/4"	Ø 1/4"	230 V AC	230 V	230 V	Internal	with detent	5796405380
NC	Stacking valve, additional pressure connection	3/2, with spring return	5/16"	Ø 1/4"	230 V AC	230 V	230 V	Internal	with detent	5796505380
NC	End valve	3/2, with spring return		Ø 1/4"	230 V AC	230 V	230 V	Internal	with detent	5792505380
NC	Inlet valve	3/2, with spring return	Ø 1/4"	Ø 1/4"	230 V AC	230 V	230 V	Internal	with detent	5790405780
NC	Inlet valve	3/2, with spring return	5/16"	Ø 1/4"	230 V AC	230 V	230 V	Internal	with detent	5790505780
NC	Stacking valve	3/2, with spring return		Ø 1/4"	230 V AC	230 V	230 V	Internal	with detent	5791505780
NC	Stacking valve, additional pressure connection	3/2, with spring return	Ø 1/4"	Ø 1/4"	230 V AC	230 V	230 V	Internal	with detent	5796405780
NC	Stacking valve, additional pressure connection	3/2, with spring return	5/16"	Ø 1/4"	230 V AC	230 V	230 V	Internal	with detent	5796505780

Version	Type	Switching principle	Compressed air connection input	Compressed air connection output	Operational voltage DC	Operational voltage AC at 50 Hz	Operational voltage AC at 60 Hz	Pilot	Manual override	Part No.
	pressure connection									
NC	End valve	3/2, with spring return		Ø 1/4"	230 V AC	230 V	230 V	Internal	with detent	5792505780

Dimensions in inches



1) Port 1 2) Port 2 3) Port 3, exhaust air must not be throttled 4) Core Ø for M5 5) Manual override 6) Pocket hole 6 mm deep for 3.5 self-tapping screw 7) Mounting space for name plate 8) Coil can be rotated at 180° intervals * Air conn. module (item IV) mounted onto stacking valve (item II) permits additional air supply from right hand side. End valve (item III) not required.
I = Inlet valve, II = Stacking valve, III = End valve

3/2-directional valve, Series 579

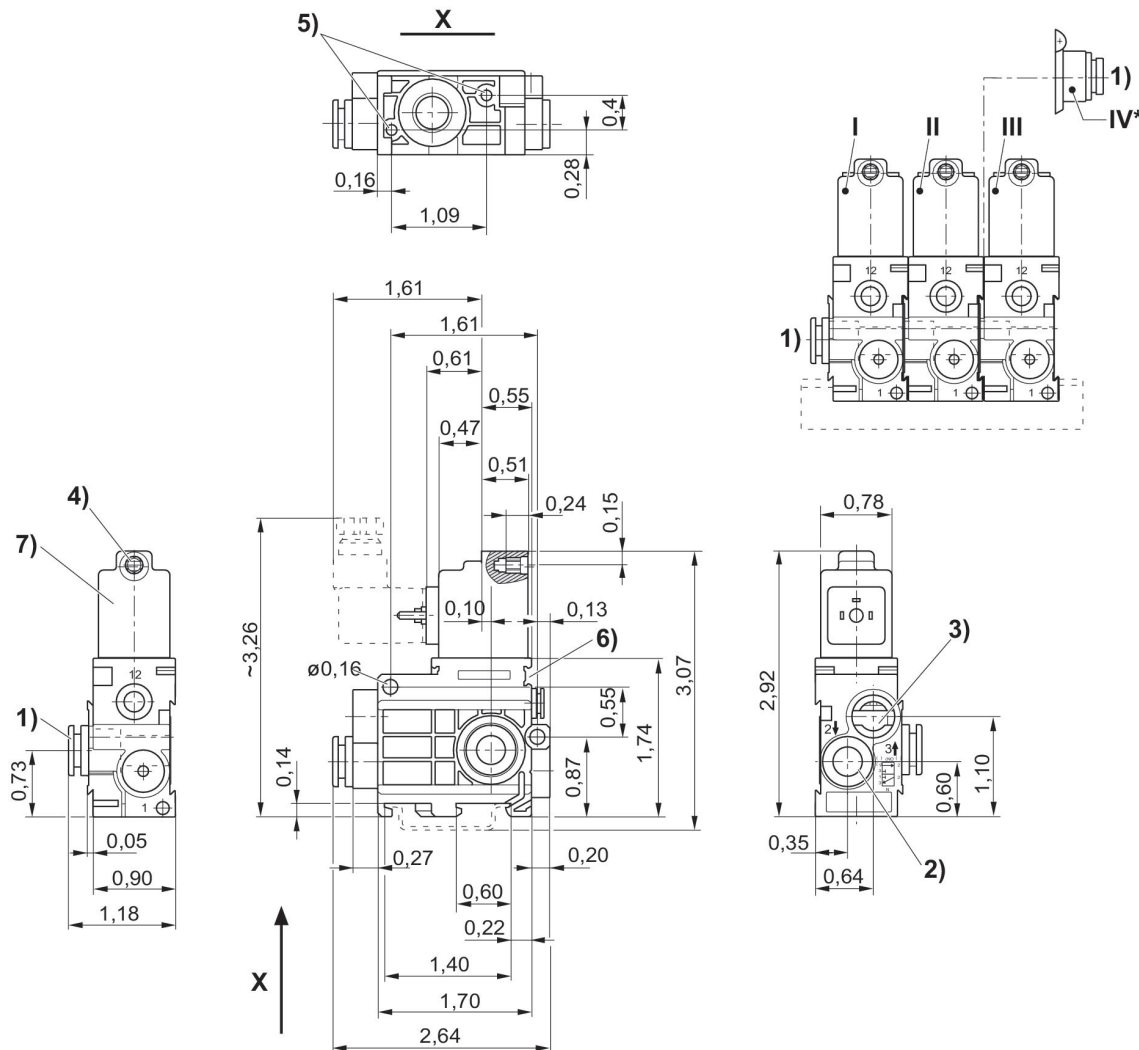
push-in fitting
Electrically
NC



Version	Type	Switching principle	Compressed air connection input	Compressed air connection output	Operational voltage DC	Operational voltage AC at 50 Hz	Operational voltage AC at 60 Hz	Min. control pressure [bar]	Max. control pressure [bar]	Pilot	Part No.
NC	Inlet valve	3/2, with spring return	Ø 1/4"	Ø 1/4"	24 V AC	24 V	24 V	2	8	External	5790475320
NC	Inlet valve	3/2, with spring return	5/16"	Ø 1/4"	24 V AC	24 V	24 V	2	8	External	5790575320
NC	Stacking valve	3/2, with spring return		Ø 1/4"	24 V AC	24 V	24 V	2	8	External	5791575320
NC	Stacking valve, additional pressure connection	3/2, with spring return	Ø 1/4"	Ø 1/4"	24 V AC	24 V	24 V	2	8	External	5796475320
NC	Stacking valve, additional pressure connection	3/2, with spring return	5/16"	Ø 1/4"	24 V AC	24 V	24 V	2	8	External	5796575320
NC	End valve	3/2, with spring return		Ø 1/4"	24 V AC	24 V	24 V	2	8	External	5792575320
NC	Inlet valve	3/2, with spring return	Ø 1/4"	Ø 1/4"	110 V AC	110 V	110 V	2	8	External	5790475370
NC	Inlet valve	3/2, with spring return	5/16"	Ø 1/4"	110 V AC	110 V	110 V	2	8	External	5790575370
NC	Stacking valve	3/2, with spring return		Ø 1/4"	110 V AC	110 V	110 V	2	8	External	5791575370
NC	Stacking valve, additional pressure connection	3/2, with spring return	Ø 1/4"	Ø 1/4"	110 V AC	110 V	110 V	2	8	External	5796475370

Version	Type	Switching principle	Compressed air connection input	Compressed air connection output	Operational voltage DC	Operational voltage AC at 50 Hz	Operational voltage AC at 60 Hz	Min. control pressure [bar]	Max. control pressure [bar]	Pilot	Part No.
NC	Stacking valve, additional pressure connection	3/2, with spring return	5/16"	Ø 1/4"	110 V AC	110 V	110 V	2	8	External	5796575370
NC	End valve	3/2, with spring return		Ø 1/4"	110 V AC	110 V	110 V	2	8	External	5792575370

Dimensions in inches



1) Port 1 2) Port 2 3) Port 3, exhaust air must not be throttled 4) Core Ø for M5 5) Pocket hole 6 mm deep for 3.5 self-tapping screw 6) Mounting space for name plate 7) Coil can be rotated at 180° intervals 8) Port 12 * Air connection module (item IV) mounted onto stacking valve (item II) permits additional air supply from right hand side. End valve (item III) not required.
I = Inlet valve, II = Stacking valve, III = End valve

3/2-directional valve, Series 579

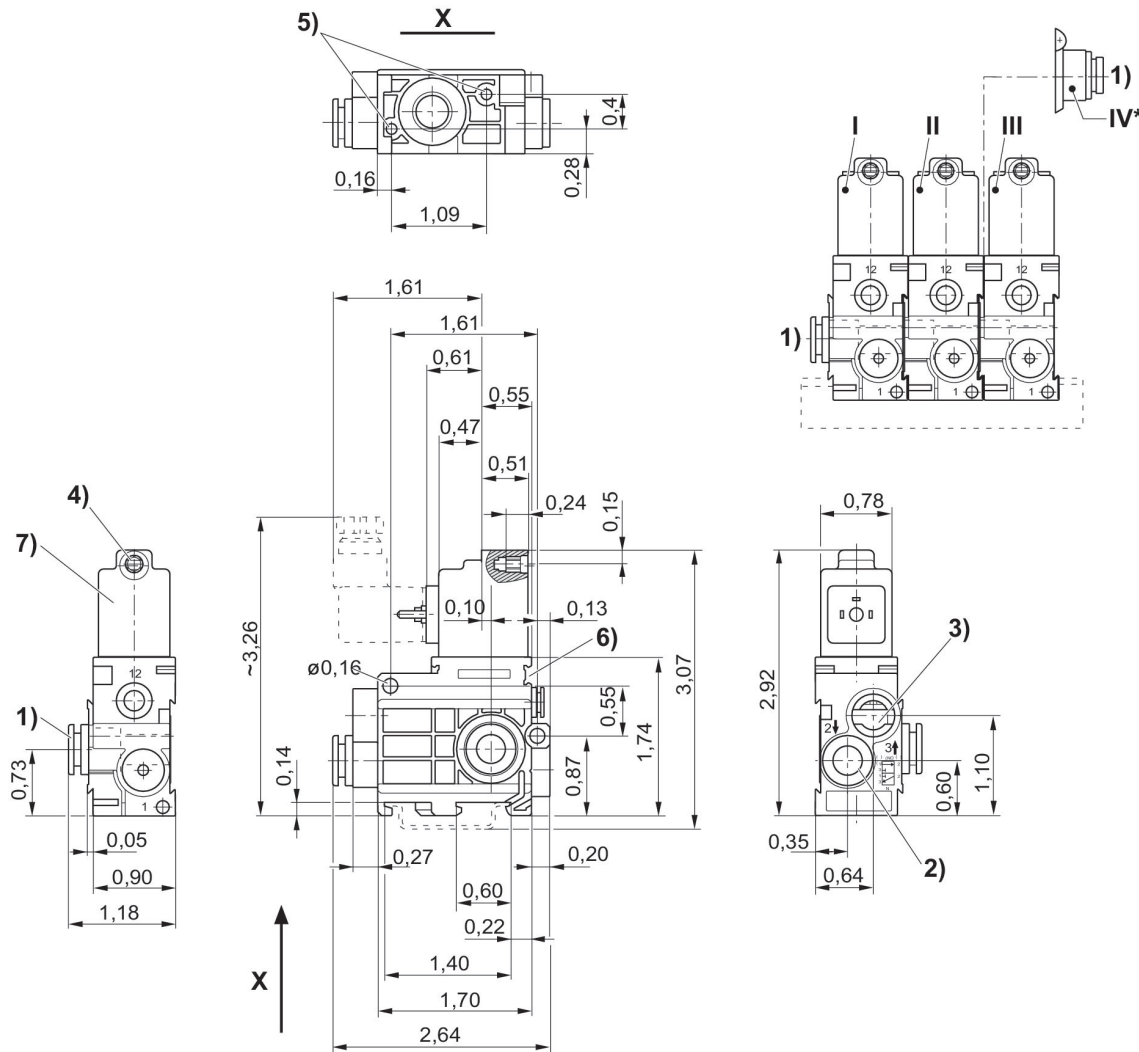
push-in fitting
Electrically



Version	Type	Switching principle	Compressed air connection input	Compressed air connection output	Operational voltage DC	Operational voltage AC at 50 Hz	Operational voltage AC at 60 Hz	Min. control pressure [bar]	Max. control pressure [bar]	Pilot	Part No.
NC	Inlet valve	3/2, with spring return	Ø 1/4"	Ø 1/4"	230 V AC	230 V	230 V	2	8	External	5790475380
NC	Inlet valve	3/2, with spring return	5/16"	Ø 1/4"	230 V AC	230 V	230 V	2	8	External	5790575380
NC	Stacking valve	3/2, with spring return		Ø 1/4"	230 V AC	230 V	230 V	2	8	External	5791575380
NC	Inlet valve	3/2, with spring return	Ø 1/4"	Ø 1/4"	230 V AC	230 V	230 V	2	8	External	5790475780
NC	Inlet valve	3/2, with spring return	5/16"	Ø 1/4"	230 V AC	230 V	230 V	2	8	External	5790575780
NC	Stacking valve, additional pressure connection	3/2, with spring return	Ø 1/4"	Ø 1/4"	230 V AC	230 V	230 V	2	8	External	5796475380
NC	Stacking valve	3/2, with spring return		Ø 1/4"	230 V AC	230 V	230 V	2	8	External	5791575780
NC	Stacking valve, additional pressure connection	3/2, with spring return	Ø 1/4"	Ø 1/4"	230 V AC	230 V	230 V	2	8	External	5796475780
NC	Stacking valve, additional pressure connection	3/2, with spring return	5/16"	Ø 1/4"	230 V AC	230 V	230 V	2	8	External	5796575380
NC	Stacking valve, additional pressure connection	3/2, with spring return	5/16"	Ø 1/4"	230 V AC	230 V	230 V	2	8	External	5796575780

Version	Type	Switching principle	Compressed air connection input	Compressed air connection output	Operational voltage DC	Operational voltage AC at 50 Hz	Operational voltage AC at 60 Hz	Min. control pressure [bar]	Max. control pressure [bar]	Pilot	Part No.
NC	End valve	3/2, with spring return		Ø 1/4"	230 V AC	230 V	230 V	2	8	External	5792575380
NC	End valve	3/2, with spring return		Ø 1/4"	230 V AC	230 V	230 V	2	8	External	5792575780

Dimensions in inches



1) Port 1 2) Port 2 3) Port 3, exhaust air must not be throttled 4) Core Ø for M5 5) Pocket hole 6 mm deep for 3.5 self-tapping screw 6) Mounting space for name plate 7) Coil can be rotated at 180° intervals 8) Port 12 * Air connection module (item IV) mounted onto stacking valve (item II) permits additional air supply from right hand side. End valve (item III) not required.
I = Inlet valve, II = Stacking valve, III = End valve

3/2-directional valve, Series 579

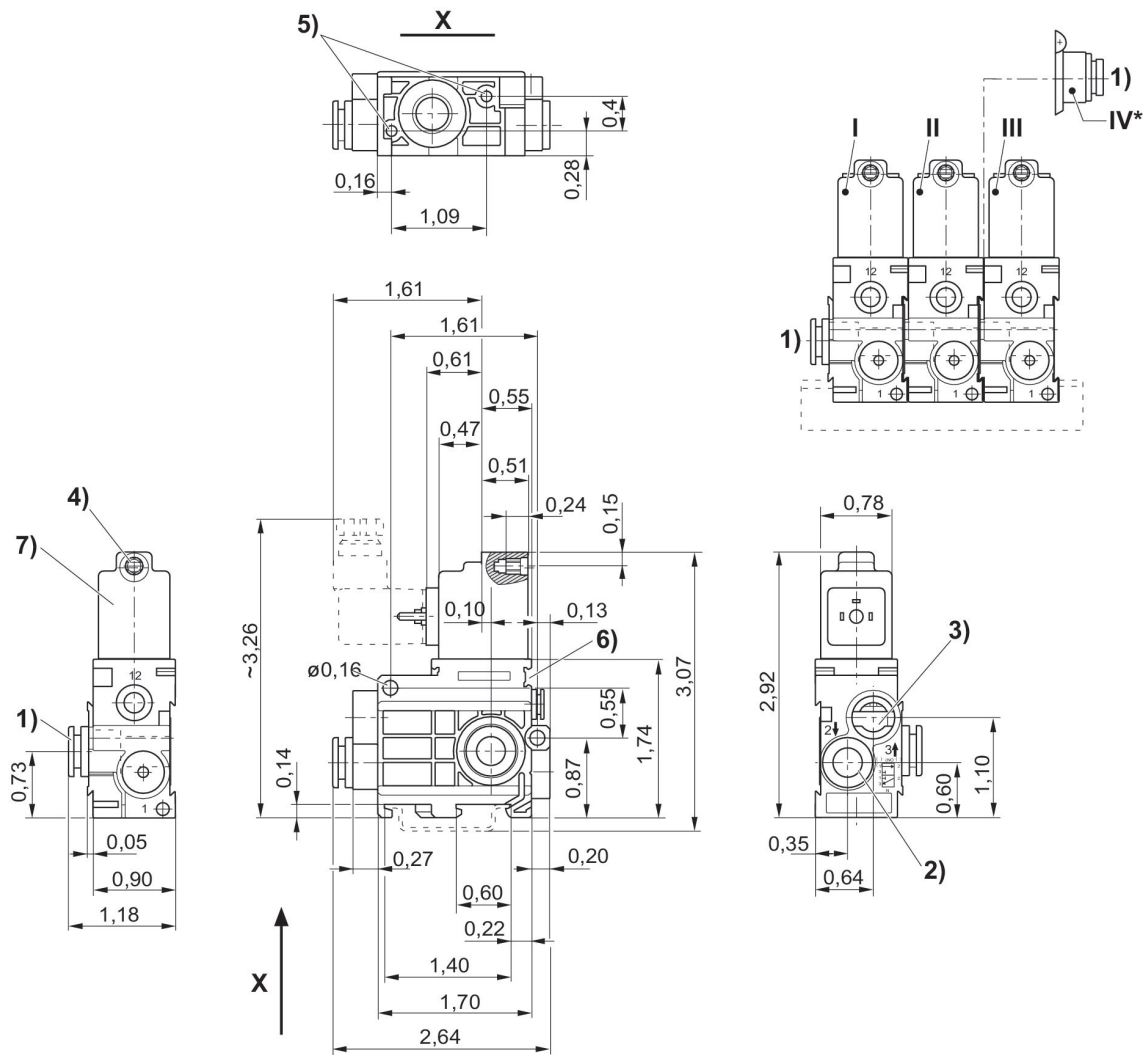
push-in fitting
Electrically
NC



Version	Type	Switching principle	Compressed air connection input	Compressed air connection output	Operational voltage DC	Voltage tolerance DC	Min. control pressure [bar]	Max. control pressure [bar]	Pilot	Manual override	Part No.
NC	Inlet valve	3/2, with spring return		Ø 1/4"	12 V DC	-10% / +10%	2	8	External	with detent	5790470310
NC	Inlet valve	3/2, with spring return	5/16"	Ø 1/4"	12 V DC	-10% / +10%	2	8	External	with detent	5790570310
NC	Stacking valve	3/2, with spring return		Ø 1/4"	12 V DC	-10% / +10%	2	8	External	with detent	5791570310
NC	Stacking valve, additional pressure connection	3/2, with spring return		Ø 1/4"	12 V DC	-10% / +10%	2	8	External	with detent	5796470310
NC	Stacking valve, additional pressure connection	3/2, with spring return	5/16"	Ø 1/4"	12 V DC	-10% / +10%	2	8	External	with detent	5796570310
NC	End valve	3/2, with spring return		Ø 1/4"	12 V DC	-10% / +10%	2	8	External	with detent	5792570310
NC	Inlet valve	3/2, with spring return	Ø 1/4"	Ø 1/4"	24 V DC	-10% / +10%	2	8	External	with detent	5790470320
NC	Inlet valve	3/2, with spring return	5/16"	Ø 1/4"			2	8	External	with detent	5790570320
NC	Stacking valve	3/2, with spring return		Ø 1/4"			2	8	External	with detent	5791570320
NC	Stacking valve, additional pressure connection	3/2, with spring return	Ø 1/4"	Ø 1/4"			2	8	External	with detent	5796470320

Version	Type	Switching principle	Compressed air connection input	Compressed air connection output	Operational voltage DC	Voltage tolerance DC	Min. control pressure [bar]	Max. control pressure [bar]	Pilot	Manual override	Part No.
NC	Stacking valve, additional pressure connection	3/2, with spring return	5/16"	Ø 1/4"			2	8	External	with detent	5796570320
NC	End valve	3/2, with spring return		Ø 1/4"			2	8	External	with detent	5792570320
NC	Inlet valve	3/2, with spring return	Ø 1/4"	Ø 1/4"	24 V DC	-10% / +10%	2	8	External	with detent	5790470720
	Inlet valve	3/2, with spring return	5/16"	Ø 1/4"	24 V DC	-10% / +10%	2	8	External	with detent	5790570720
NC	Stacking valve	3/2, with spring return		Ø 1/4"	24 V DC	-10% / +10%	2	8	External	with detent	5791570720
NC	Stacking valve, additional pressure connection	3/2, with spring return	Ø 1/4"	Ø 1/4"	24 V DC	-10% / +10%	2	8	External	with detent	5796470720
NC	Stacking valve, additional pressure connection	3/2, with spring return	5/16"	Ø 1/4"	24 V DC	-10% / +10%	2	8	External	with detent	5796570720
NC	End valve	3/2, with spring return		Ø 1/4"	24 V DC	-10% / +10%	2	8	External	with detent	5792570720

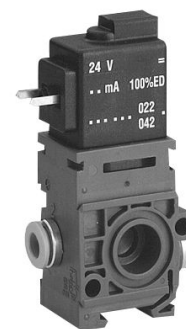
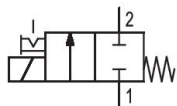
Dimensions in inches



1) Port 1 2) Port 2 3) Port 3, exhaust air must not be throttled 4) Core Ø for M5 5) Pocket hole 6 mm deep for 3.5 self-tapping screw 6) Mounting space for name plate 7) Coil can be rotated at 180° intervals 8) Port 12 * Air connection module (item IV) mounted onto stacking valve (item II) permits additional air supply from right hand side. End valve (item III) not required.
I = Inlet valve, II = Stacking valve, III = End valve

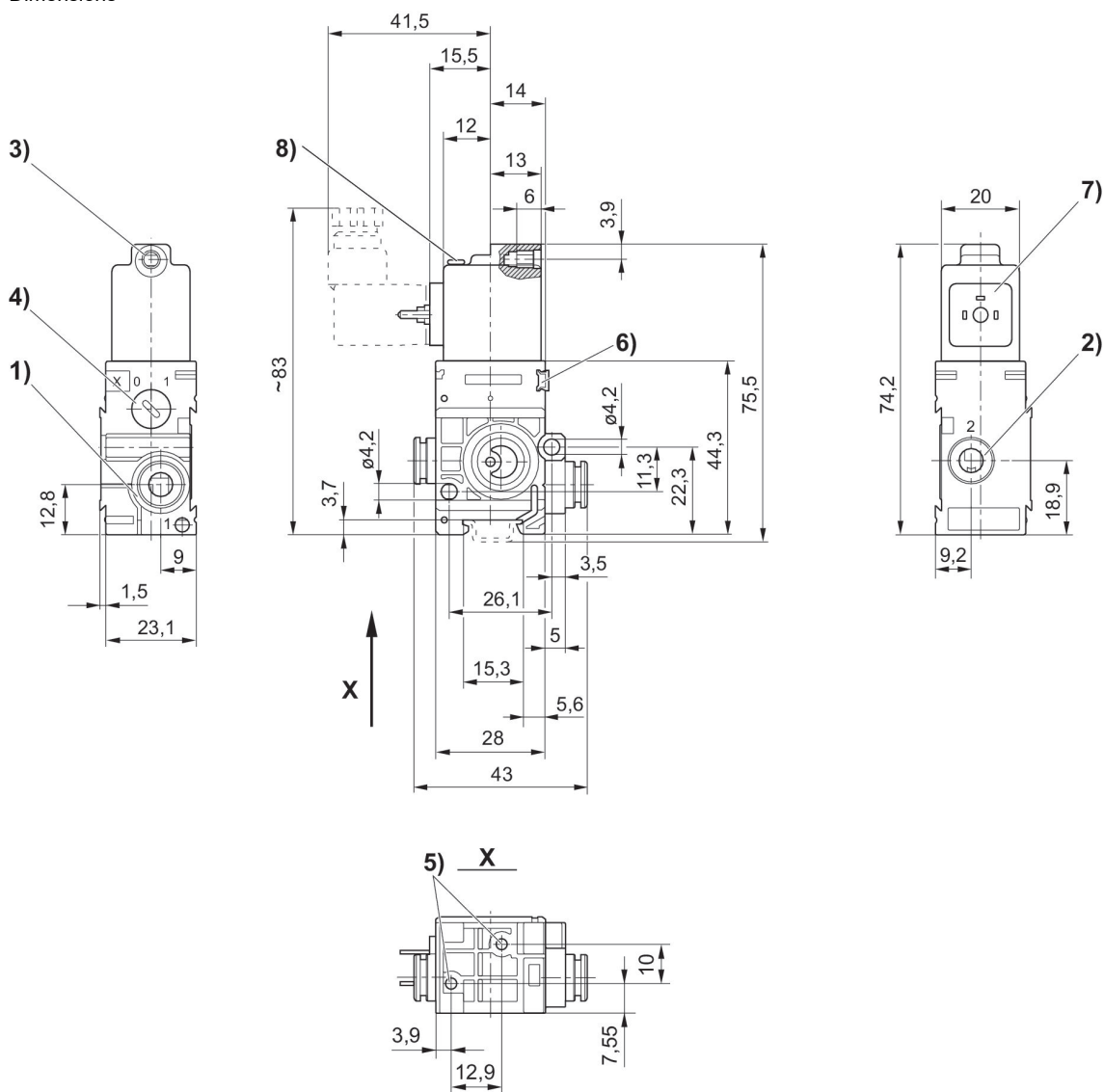
2/2-directional valve, Series 589

50 l/min
Plug
ISO 15217, form C
push-in fitting
Electrically
Ø 6x1
NC



Version	Type	Switching principle	Compressed air connection input	Compressed air connection output	Operational voltage DC	Voltage tolerance DC	Manual override	Part No.
NC	Single valve	2/2 NC, with spring return	Ø 6x1	Ø 6x1	24 V DC	-10% / +10%	with detent	5894000220

Dimensions



1) Port 1 2) Port 2 3) Port 3, core ϕ for M5 4) Manual override 5) Pocket hole 6 mm deep for 3.5 self-tapping screw 6) Mounting space for name plate 7) Coil can be rotated at 180° intervals 8) LED

3/2-directional valve, Series 589

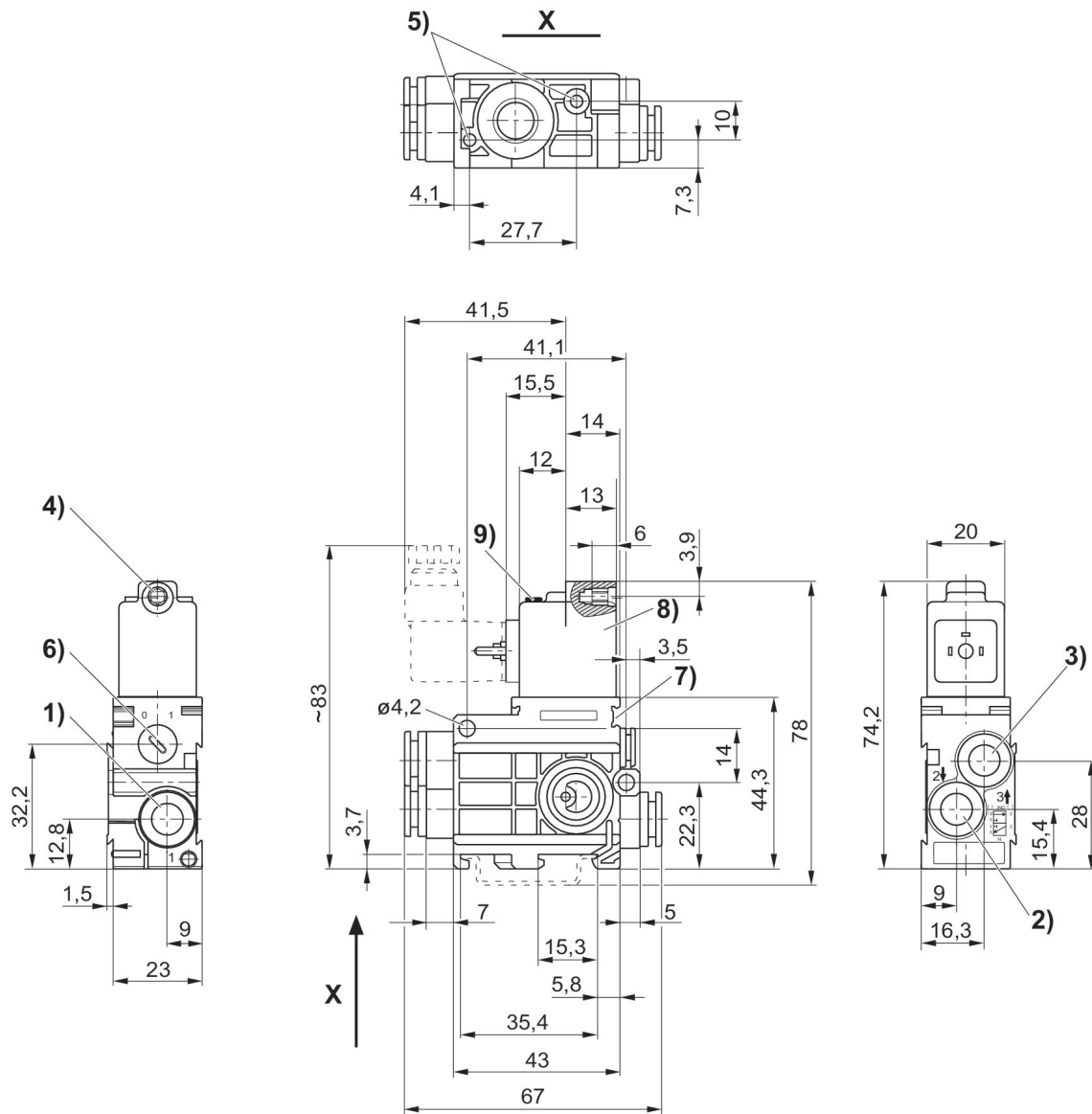
Plug
ISO 15217, form C
push-in fitting
Electrically
Ø 8x1
NC



Version	Type	Switching principle	Compressed air connection input	Compressed air connection output	Compressed air connection, exhaust	Operational voltage DC	Operational voltage AC at 50 Hz	Operational voltage AC at 60 Hz	Voltage tolerance DC	Pilot	Manual override	LED	Part No.
NC	Single valve	3/2, with spring return	Ø 6x1	Ø 6x1	Ø 8x1	12 V DC			-10% / +10%	Internal	with detent		5894400210
NC	Single valve	3/2, with spring return	Ø 6x1	Ø 6x1	Ø 8x1	24 V DC			-10% / +10%	Internal	with detent		5894400220
NC	Single valve	3/2, with spring return	Ø 6x1	Ø 6x1	Ø 8x1	24 V DC			-10% / +10%	Internal	with detent	Red	5894400620
NC	Single valve	3/2, with spring return	Ø 6x1	Ø 6x1	Ø 8x1	24 V AC	24 V	24 V		Internal	with detent		5894405220
NC	Single valve	3/2, with spring return	Ø 6x1	Ø 6x1	Ø 8x1	110 V AC	110 V	110 V		Internal	with detent		5894405270
NC	Single valve	3/2, with spring return	Ø 6x1	Ø 6x1	Ø 8x1	230 V AC	230 V	230 V		Internal	with detent		5894405280
NC	Single valve	3/2, with spring return	Ø 6x1	Ø 6x1	Ø 8x1	230 V AC	230 V	230 V		Internal	with detent	Red	5894405680
NC	Single valve	3/2, with spring return	Ø 8x1	Ø 8x1	Ø 8x1	12 V DC			-10% / +10%	Internal	with detent		5894600210
NC	Single valve	3/2, with spring return	Ø 8x1	Ø 8x1	Ø 8x1	24 V DC			-10% / +10%	Internal	with detent		5894600220
NC	Single valve	3/2, with spring return	Ø 8x1	Ø 8x1	Ø 8x1	24 V DC			-10% / +10%	Internal	with detent	Red	5894600620

Version	Type	Switching principle	Compressed air connection input	Compressed air connection output	Compressed air connection, exhaust	Operational voltage DC	Operational voltage AC at 50 Hz	Operational voltage AC at 60 Hz	Voltage tolerance DC	Pilot	Manual override	LED	Part No.
NC	Single valve	3/2, with spring return	Ø 8x1	Ø 8x1	Ø 8x1	24 V AC	24 V	24 V		Internal	with detent		5894605220
NC	Single valve	3/2, with spring return	Ø 8x1	Ø 8x1	Ø 8x1	110 V AC	110 V	110 V		Internal	with detent		5894605270
NC	Single valve	3/2, with spring return	Ø 8x1	Ø 8x1	Ø 8x1	230 V AC	230 V	230 V		Internal	with detent		5894605280
NC	Single valve	3/2, with spring return	Ø 8x1	Ø 8x1	Ø 8x1	230 V AC	230 V	230 V		Internal	with detent	Red	5894605680

Dimensions



- 1) port 1 2) port 2 3) port 3 4) core Ø for M 5 5) pocket hole 6 mm deep for 3.5 self-tapping screw 6) manual override 7) Pilot valve 8) coil can be rotated at 180° intervals

3/2-directional valve, Series 589

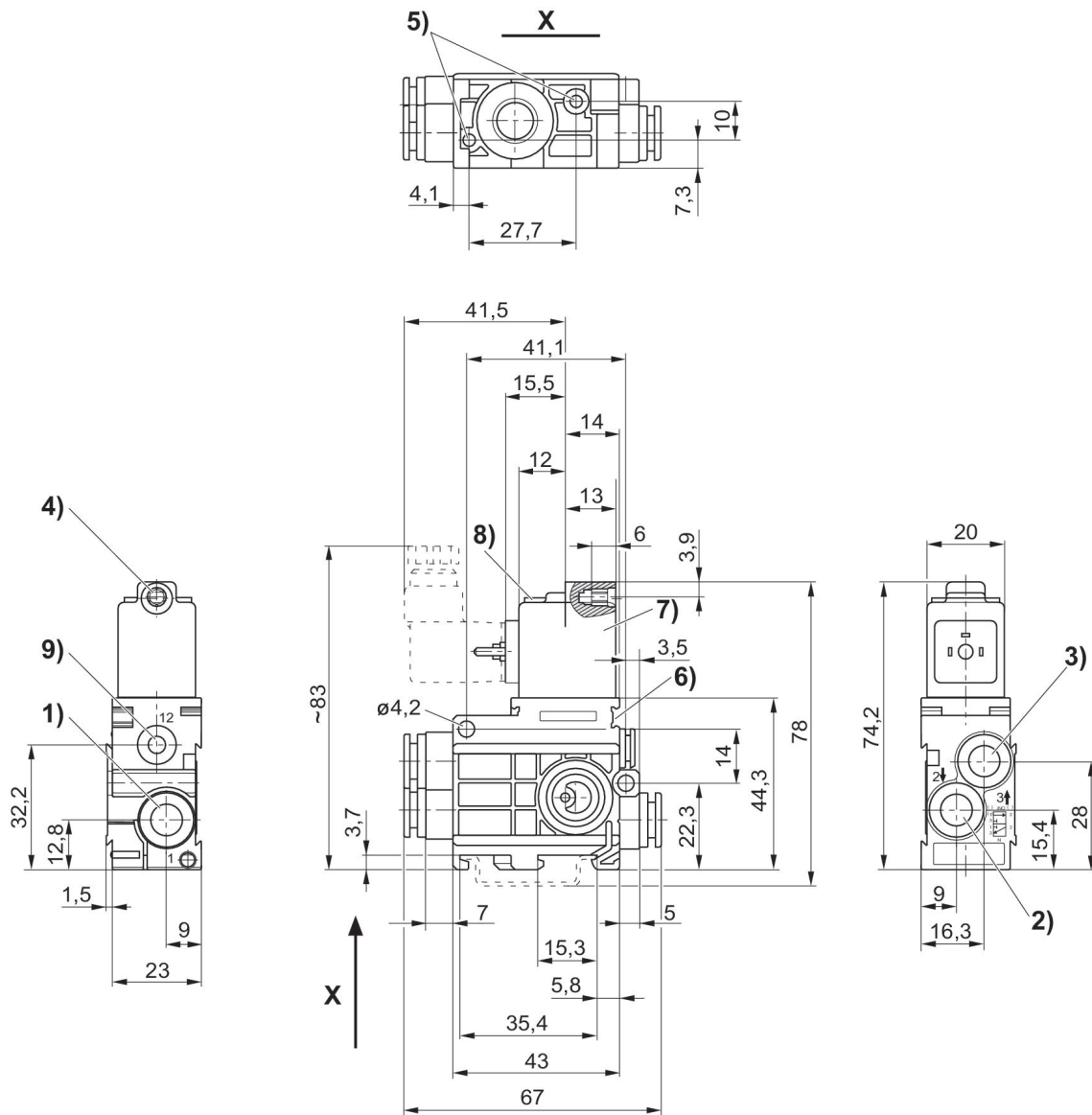
Plug
ISO 15217, form C
push-in fitting
Electrically
Ø 8x1
NC



Version	Type	Switching principle	Compressed air connection input	Compressed air connection output	Compressed air connection, exhaust	Operational voltage DC	Operational voltage AC at 50 Hz	Operational voltage AC at 60 Hz	Voltage tolerance DC	Min. control pressure [bar]	Max. control pressure [bar]	Pilot	LED	Part No.
NC	Single valve	3/2, with spring return	Ø 6x1	Ø 6x1	Ø 8x1	12 V DC			-10% / +10%	3	10	External		5894470210
NC	Single valve	3/2, with spring return	Ø 6x1	Ø 6x1	Ø 8x1	24 V DC			-10% / +10%	3	10	External		5894470220
NC	Single valve	3/2, with spring return	Ø 6x1	Ø 6x1	Ø 8x1	24 V DC			-10% / +10%	3	10	External	Red	5894470620
NC	Single valve	3/2, with spring return	Ø 6x1	Ø 6x1	Ø 8x1	24 V AC	24 V	24 V		3	10	External		5894475220
NC	Single valve	3/2, with spring return	Ø 6x1	Ø 6x1	Ø 8x1	110 V AC	110 V	110 V		3	10	External		5894475270
NC	Single valve	3/2, with spring return	Ø 6x1	Ø 6x1	Ø 8x1	230 V AC	230 V	230 V		3	10	External		5894475280
NC	Single valve	3/2, with spring return	Ø 6x1	Ø 6x1	Ø 8x1	230 V AC	230 V	230 V		3	10	External	Red	5894475680
NC	Single valve	3/2, with spring return	Ø 8x1	Ø 8x1	Ø 8x1	12 V DC			-10% / +10%	3	10	External		5894670210
NC	Single valve	3/2, with spring return	Ø 8x1	Ø 8x1	Ø 8x1	24 V DC			-10% / +10%	3	10	External		5894670220
NC	Single valve	3/2, with	Ø 8x1	Ø 8x1	Ø 8x1	24 V DC			-10% / +10%	3	10	External	Red	5894670620

Version	Type	Switching principle	Compressed air connection input	Compressed air connection output	Compressed air connection, exhaust	Operational voltage DC	Operational voltage AC at 50 Hz	Operational voltage AC at 60 Hz	Voltage tolerance DC	Min. control pressure [bar]	Max. control pressure [bar]	Pilot	LED	Part No.
		spring return												
NC	Single valve	3/2, with spring return	Ø 8x1	Ø 8x1	Ø 8x1	24 V AC	24 V	24 V		3	10	External		5894675220
NC	Single valve	3/2, with spring return	Ø 8x1	Ø 8x1	Ø 8x1	110 V AC	110 V	110 V		3	10	External		5894675270
NC	Single valve	3/2, with spring return	Ø 8x1	Ø 8x1	Ø 8x1	230 V AC	230 V	230 V		3	10	External		5894675280
NC	Single valve	3/2, with spring return	Ø 8x1	Ø 8x1	Ø 8x1	230 V AC	230 V	230 V		3	10	External	Red	5894675680

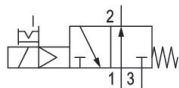
Dimensions



1) port 1 2) port 2 3) port 3 4) core Ø for M 5 5) pocket hole 6 mm deep for 3.5 self-tapping screw 6) mounting space for name plate 7) coil can be rotated at 180° intervals 8) LED 9) port 12

3/2-directional valve, Series 589

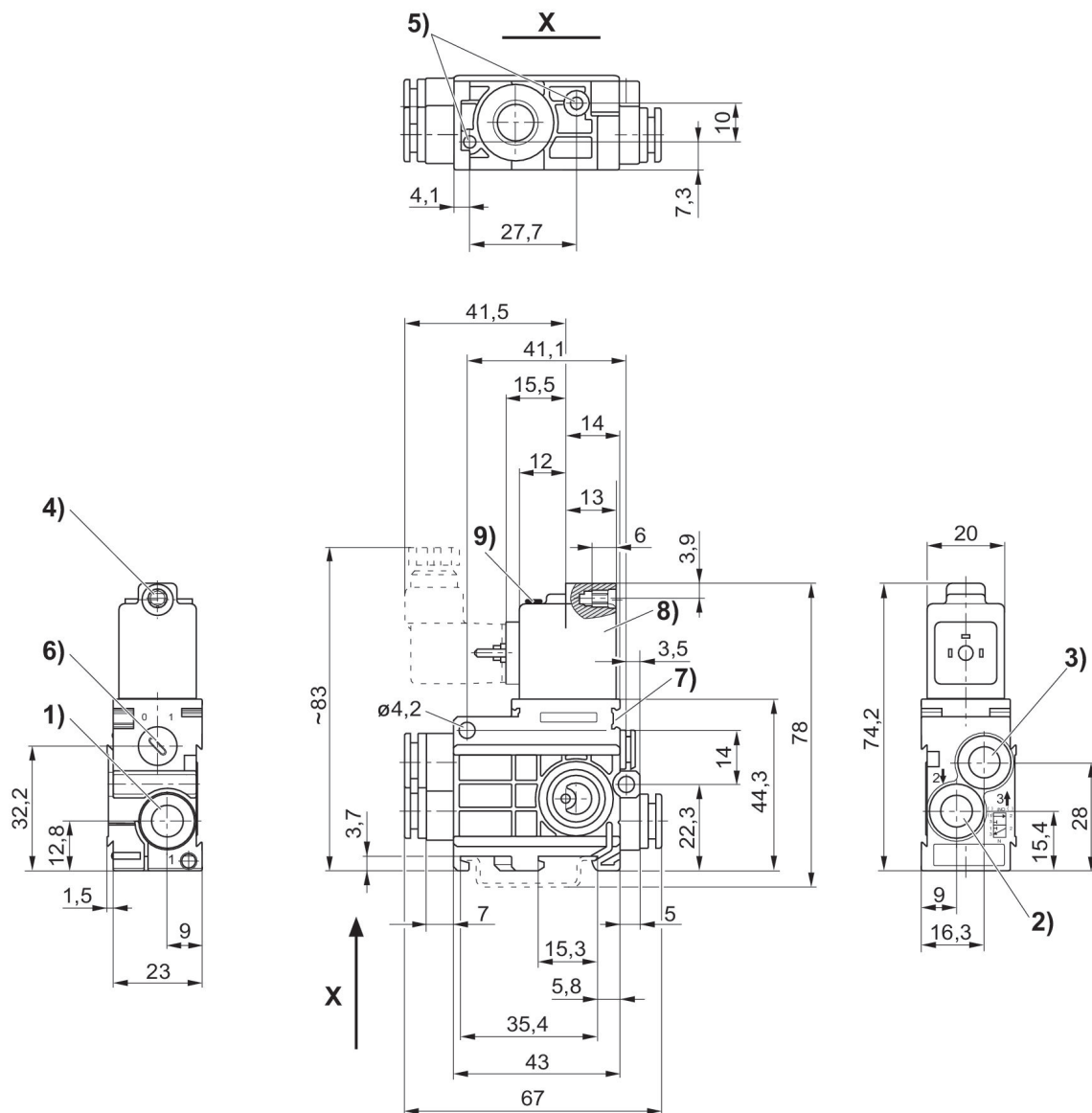
Plug
ISO 15217, form C
push-in fitting
Electrically
Ø 8x1
NO



Version	Type	Switching principle	Compressed air connection input	Compressed air connection output	Compressed air connection, exhaust	Operational voltage DC	Operational voltage AC at 50 Hz	Operational voltage AC at 60 Hz	Voltage tolerance DC	Pilot	Manual override	LED	Part No.
NO	Single valve	3/2, with spring return	Ø 6x1	Ø 6x1	Ø 8x1	12 V DC			-10% / +10%	Internal	with detent		5894410210
NO	Single valve	3/2, with spring return	Ø 6x1	Ø 6x1	Ø 8x1	24 V DC			-10% / +10%	Internal	with detent		5894410220
NO	Single valve	3/2, with spring return	Ø 6x1	Ø 6x1	Ø 8x1	24 V DC			-10% / +10%	Internal	with detent	Red	5894410620
NO	Single valve	3/2, with spring return	Ø 6x1	Ø 6x1	Ø 8x1	24 V AC	24 V	24 V		Internal	with detent		5894415220
NO	Single valve	3/2, with spring return	Ø 6x1	Ø 6x1	Ø 8x1	110 V AC	110 V	110 V		Internal	with detent		5894415270
NO	Single valve	3/2, with spring return	Ø 6x1	Ø 6x1	Ø 8x1	230 V AC	230 V	230 V		Internal	with detent		5894415280
NO	Single valve	3/2, with spring return	Ø 6x1	Ø 6x1	Ø 8x1	230 V AC	230 V	230 V		Internal	with detent	Red	5894415680
NO	Single valve	3/2, with spring return	Ø 8x1	Ø 8x1	Ø 8x1	12 V DC			-10% / +10%	Internal	with detent		5894610210
NO	Single valve	3/2, with spring return	Ø 8x1	Ø 8x1	Ø 8x1	24 V DC			-10% / +10%	Internal	with detent		5894610220
NO	Single valve	3/2, with spring return	Ø 8x1	Ø 8x1	Ø 8x1	24 V DC			-10% / +10%	Internal	with detent	Red	5894610620

Version	Type	Switching principle	Compressed air connection input	Compressed air connection output	Compressed air connection, exhaust	Operational voltage DC	Operational voltage AC at 50 Hz	Operational voltage AC at 60 Hz	Voltage tolerance DC	Pilot	Manual override	LED	Part No.
NO	Single valve	3/2, with spring return	Ø 8x1	Ø 8x1	Ø 8x1	24 V AC	24 V	24 V		Internal	with detent		5894615220
NO	Single valve	3/2, with spring return	Ø 8x1	Ø 8x1	Ø 8x1	110 V AC	110 V	110 V		Internal	with detent		5894615270
NO	Single valve	3/2, with spring return	Ø 8x1	Ø 8x1	Ø 8x1	230 V AC	230 V	230 V		Internal	with detent		5894615280
NO	Single valve	3/2, with spring return	Ø 8x1	Ø 8x1	Ø 8x1	230 V AC	230 V	230 V		Internal	with detent	Red	5894615680

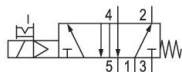
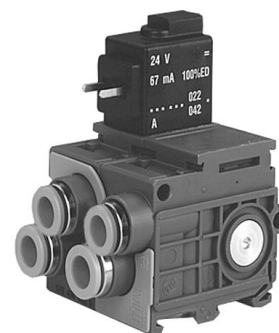
Dimensions



1) port 1 2) port 2 3) port 3 4) core Ø for M 5 5) pocket hole 6 mm deep for 3.5 self-tapping screw 6) manual override 7) Pilot valve 8) coil can be rotated at 180° intervals

5/2-directional valve, Series 589

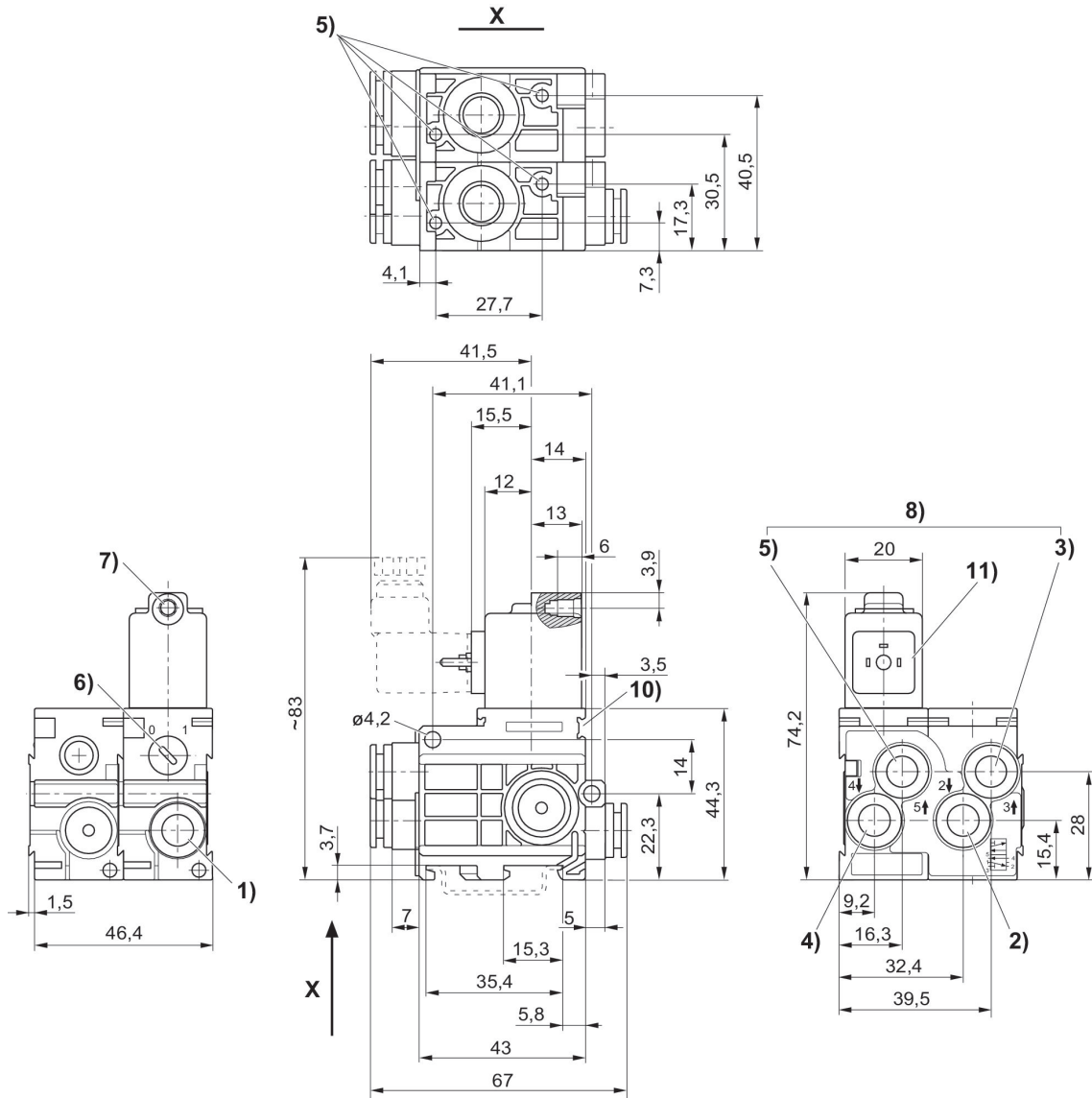
Plug
ISO 15217, form C
push-in fitting
Electrically
Ø 8x1



Version	Type	Switching principle	Compressed air connection input	Compressed air connection output	Compressed air connection, exhaust	Operational voltage DC	Operational voltage AC at 50 Hz	Operational voltage AC at 60 Hz	Voltage tolerance DC	Pilot	Manual override	LED	Part No.
NO	Single valve	3/2, with spring return	Ø 6x1	Ø 6x1	Ø 8x1	12 V DC			-10% / +10%	Internal	with detent		5894700210
NO	Single valve	3/2, with spring return	Ø 6x1	Ø 6x1	Ø 8x1	24 V DC			-10% / +10%	Internal	with detent		5894700220
NO	Single valve	3/2, with spring return	Ø 6x1	Ø 6x1	Ø 8x1	24 V DC			-10% / +10%	Internal	with detent	Red	5894700620
NO	Single valve	3/2, with spring return	Ø 6x1	Ø 6x1	Ø 8x1	24 V AC	24 V	24 V		Internal	with detent		5894705220
NO	Single valve	3/2, with spring return	Ø 6x1	Ø 6x1	Ø 8x1	110 V AC	110 V	110 V		Internal	with detent		5894705270
NO	Single valve	3/2, with spring return	Ø 6x1	Ø 6x1	Ø 8x1	230 V AC	230 V	230 V		Internal	with detent		5894705280
NO	Single valve	3/2, with spring return	Ø 6x1	Ø 6x1	Ø 8x1	230 V AC	230 V	230 V		Internal	with detent	Red	5894705680
NO	Single valve	3/2, with spring return	Ø 8x1	Ø 8x1	Ø 8x1	12 V DC			-10% / +10%	Internal	with detent		5894900210
NO	Single valve	3/2, with spring return	Ø 8x1	Ø 8x1	Ø 8x1	24 V DC			-10% / +10%	Internal	with detent		5894900220
NO	Single valve	3/2, with spring return	Ø 8x1	Ø 8x1	Ø 8x1	24 V DC			-10% / +10%	Internal	with detent	Red	5894900620

Version	Type	Switching principle	Compressed air connection input	Compressed air connection output	Compressed air connection, exhaust	Operational voltage DC	Operational voltage AC at 50 Hz	Operational voltage AC at 60 Hz	Voltage tolerance DC	Pilot	Manual override	LED	Part No.
NO	Single valve	3/2, with spring return	Ø 8x1	Ø 8x1	Ø 8x1	24 V AC	24 V	24 V		Internal	with detent		5894905220
NO	Single valve	3/2, with spring return	Ø 8x1	Ø 8x1	Ø 8x1	110 V AC	110 V	110 V		Internal	with detent		5894905270
NO	Single valve	3/2, with spring return	Ø 8x1	Ø 8x1	Ø 8x1	230 V AC	230 V	230 V		Internal	with detent		5894905280
NO	Single valve	3/2, with spring return	Ø 8x1	Ø 8x1	Ø 8x1	230 V AC	230 V	230 V		Internal	with detent	Red	5894905680

Dimensions



1) port 1 2) port 2 3) port 3 4) port 4 5) port 5 6) manual override 7) core Ø for M 5 8) exhaust air must not be throttled 9) pocket hole 6 mm deep for 3.5 self-tapping screw 10) mounting space for name plate 11) coil can be rotated at 180° intervals

3/2-directional valve, Series 589

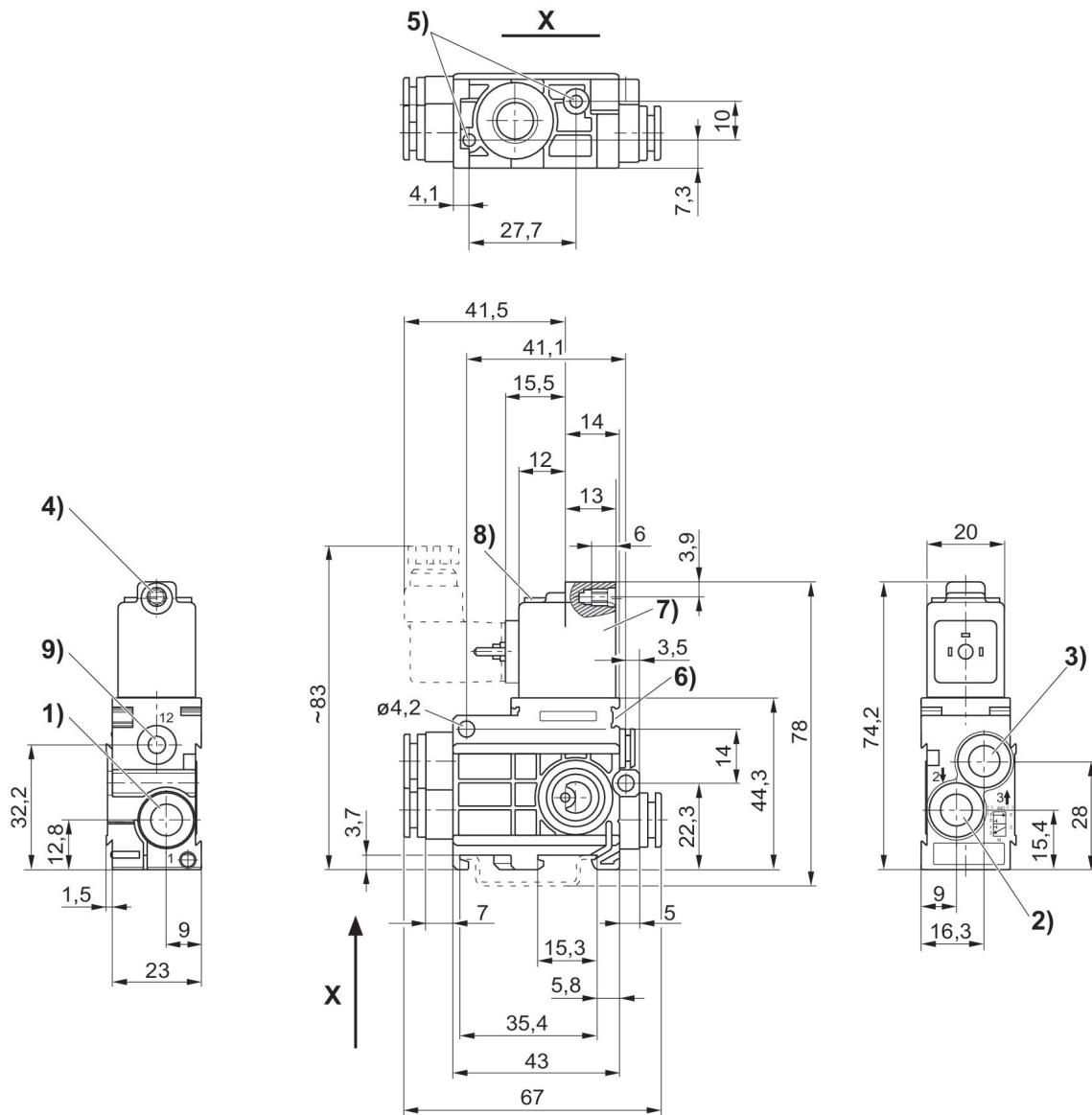
Plug
ISO 15217, form C
push-in fitting
Electrically
Ø 8x1
NO



Version	Type	Switching principle	Compressed air connection input	Compressed air connection output	Compressed air connection, exhaust	Operational voltage DC	Operational voltage AC at 50 Hz	Operational voltage AC at 60 Hz	Voltage tolerance DC	Min. control pressure [bar]	Max. control pressure [bar]	Pilot	LED	Part No.
NO	Single valve	3/2, with spring return	Ø 8x1	Ø 8x1	Ø 8x1	12 V DC			-10% / +10%	3	10	External		5894620210
NO	Single valve	3/2, with spring return	Ø 8x1	Ø 8x1	Ø 8x1	24 V DC			-10% / +10%	3	10	External		5894620220
NO	Single valve	3/2, with spring return	Ø 8x1	Ø 8x1	Ø 8x1	24 V DC			-10% / +10%	3	10	External	Red	5894620620
NO	Single valve	3/2, with spring return	Ø 8x1	Ø 8x1	Ø 8x1	24 V AC	24 V	24 V		3	10	External		5894625220
NO	Single valve	3/2, with spring return	Ø 8x1	Ø 8x1	Ø 8x1	110 V AC	110 V	110 V		3	10	External		5894625270
NO	Single valve	3/2, with spring return	Ø 8x1	Ø 8x1	Ø 8x1	230 V AC	230 V	230 V		3	10	External		5894625280
NO	Single valve	3/2, with spring return	Ø 8x1	Ø 8x1	Ø 8x1	230 V AC	230 V	230 V		3	10	External	Red	5894625680
NO	Single valve	3/2, with spring return	Ø 6x1	Ø 6x1	Ø 8x1	12 V DC			-10% / +10%	3	10	External		5894420210
NO	Single valve	3/2, with spring return	Ø 6x1	Ø 6x1	Ø 8x1	24 V DC			-10% / +10%	3	10	External		5894420220
NO	Single valve	3/2, with	Ø 6x1	Ø 6x1	Ø 8x1	24 V DC			-10% / +10%	3	10	External	Red	5894420620

Version	Type	Switching principle	Compressed air connection input	Compressed air connection output	Compressed air connection, exhaust	Operational voltage DC	Operational voltage AC at 50 Hz	Operational voltage AC at 60 Hz	Voltage tolerance DC	Min. control pressure [bar]	Max. control pressure [bar]	Pilot	LED	Part No.
		spring return												
NO	Single valve	3/2, with spring return	Ø 6x1	Ø 6x1	Ø 8x1	24 V AC	24 V	24 V		3	10	External		5894425220
NO	Single valve	3/2, with spring return	Ø 6x1	Ø 6x1	Ø 8x1	110 V AC	110 V	110 V		3	10	External		5894425270
NO	Single valve	3/2, with spring return	Ø 6x1	Ø 6x1	Ø 8x1	230 V AC	230 V	230 V		3	10	External		5894425280
NO	Single valve	3/2, with spring return	Ø 6x1	Ø 6x1	Ø 8x1	230 V AC	230 V	230 V		3	10	External	Red	5894425680

Dimensions



- 1) port 1 2) port 2 3) port 3 4) Ø for M 5 5) pocket hole 6 mm deep for 3.5 self-tapping screw 6) mounting space for name plate 7) coil can be rotated at 180° intervals 8) LED 9) port 12

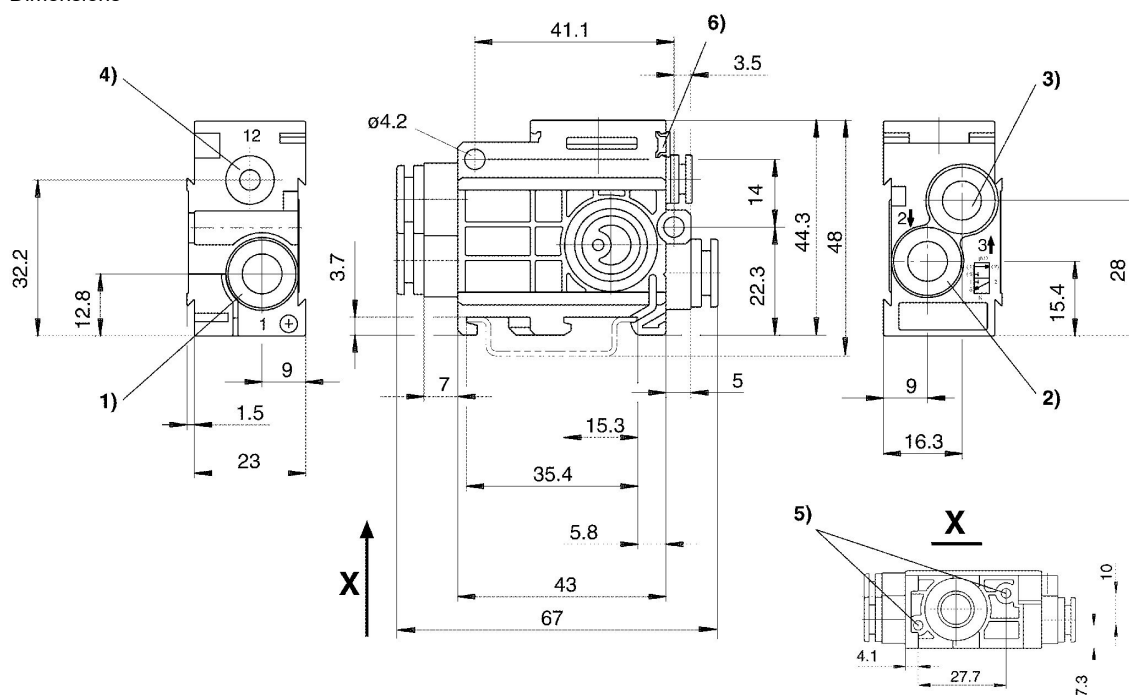
3/2-directional valve, Series 589

Single Air Pilot
Pneumatically



Version	Type	Compressed air connection input	Compressed air connection output	Compressed air connection, exhaust	Min. control pressure [bar]	Part No.
NC	Single valve	Ø 6x1	Ø 6x1	Ø 8x1	3	5894400000
NC	Single valve	Ø 8x1	Ø 8x1	Ø 8x1	3	5894600000
NO	Single valve	Ø 6x1	Ø 6x1	Ø 8x1	3	5894400010
NO	Single valve	Ø 8x1	Ø 8x1	Ø 8x1	3	5894600010

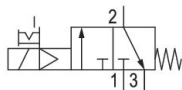
Dimensions



1) port 1 2) port 2 3) port 3 4) port 12 5) pocket hole 6 mm deep for 3.5 self-tapping screw 6) mounting space for name plate

3/2-directional valve, Series 589

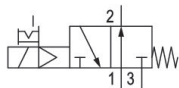
Plug
ISO 15217, form C
push-in fitting
Electrically
Ø 8x1
NC



Version	Type	Switching principle	Compressed air connection input	Compressed air connection output	Compressed air connection, exhaust	Operational voltage DC	Voltage tolerance DC	Pilot	Manual override	Part No.
NC	Single valve	3/2, with spring return	Ø 1/4"	Ø 1/4"	5/16"	12 V DC	-10% / +10%	Internal	with detent	5894400310
NC	Single valve	3/2, with spring return	Ø 1/4"	Ø 1/4"	5/16"	24 V DC	-10% / +10%	Internal	with detent	5894400320
NC	Single valve	3/2, with spring return	Ø 1/4"	Ø 1/4"	5/16"	24 V DC	-10% / +10%	Internal	with detent	5894400720
NC	Single valve	3/2, with spring return	Ø 1/4"	Ø 1/4"	5/16"	24 V DC	-10% / +15%	Internal	with detent	5894405320
NC	Single valve	3/2, with spring return	Ø 1/4"	Ø 1/4"	5/16"	110 V DC	-10% / +15%	Internal	with detent	5894405370
NC	Single valve	3/2, with spring return	Ø 1/4"	Ø 1/4"	5/16"	220 V DC	-10% / +15%	Internal	with detent	5894405380
NC	Single valve	3/2, with spring return	Ø 1/4"	Ø 1/4"	5/16"	220 V DC	-10% / +15%	Internal	with detent	5894405780

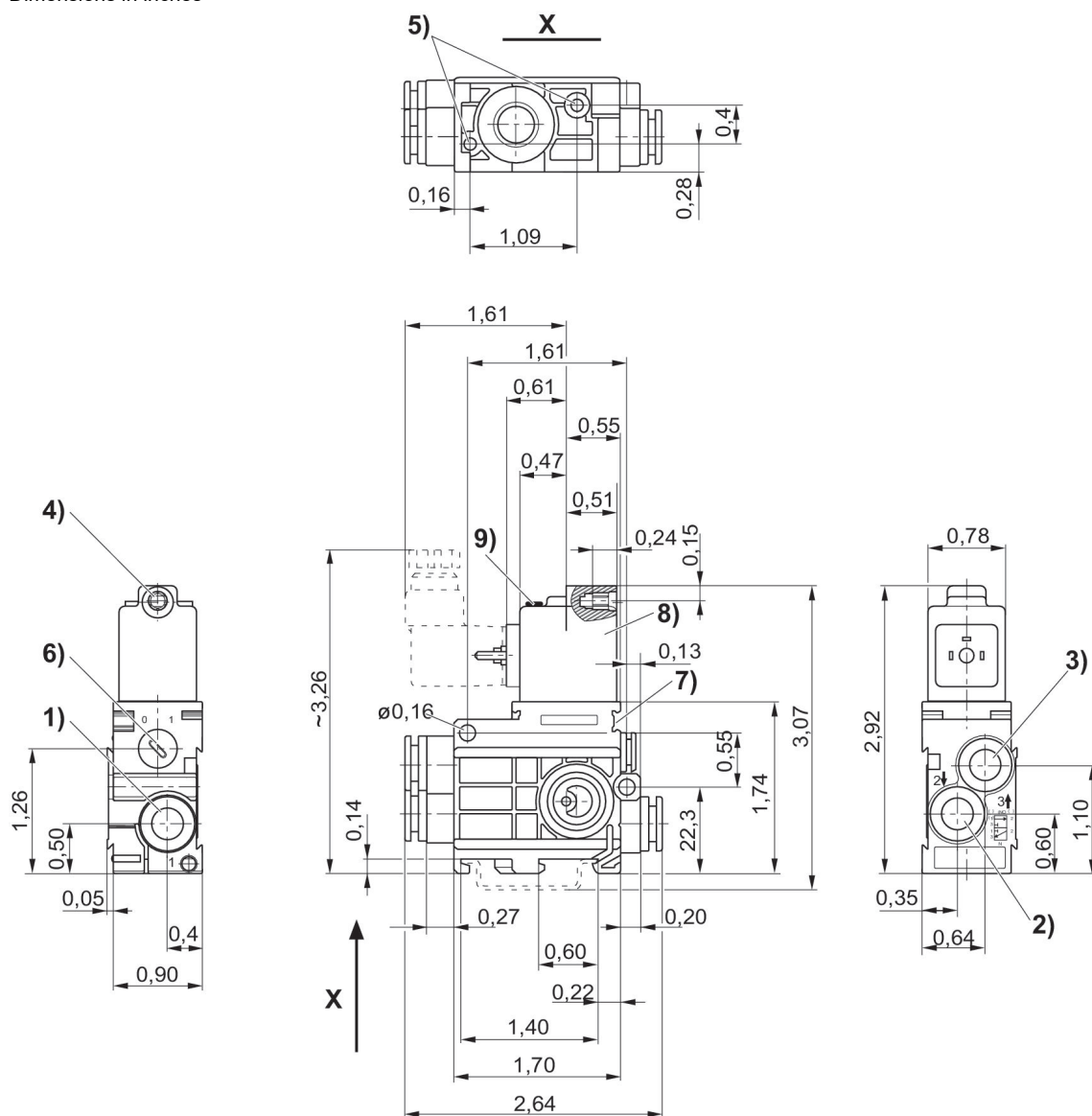
3/2-directional valve, Series 589

Plug
ISO 15217, form C
push-in fitting
Electrically
Ø 8x1
NO



Version	Type	Switching principle	Compressed air connection input	Compressed air connection output	Compressed air connection, exhaust	Operational voltage DC	Operational voltage AC at 50 Hz	Operational voltage AC at 60 Hz	Voltage tolerance DC	Pilot	Manual override	LED	Part No.
NO	Single valve	3/2, with spring return	Ø 1/4"	Ø 1/4"	5/16"	12 V DC			-10% / +10%	Internal	with detent		5894410310
NO	Single valve	3/2, with spring return	Ø 1/4"	Ø 1/4"	5/16"	24 V DC			-10% / +10%	Internal	with detent		5894410320
NO	Single valve	3/2, with spring return	Ø 1/4"	Ø 1/4"	5/16"	24 V DC			-10% / +10%	Internal	with detent	Red	5894410720
NO	Single valve	3/2, with spring return	Ø 1/4"	Ø 1/4"	5/16"	24 V AC	24 V	24 V		Internal	with detent		5894415320
NO	Single valve	3/2, with spring return	Ø 1/4"	Ø 1/4"	5/16"	110 V AC	110 V	110 V		Internal	with detent		5894415370
NO	Single valve	3/2, with spring return	Ø 1/4"	Ø 1/4"	5/16"	220 V AC	220 V	220 V		Internal	with detent		5894415380
NO	Single valve	3/2, with spring return	Ø 1/4"	Ø 1/4"	5/16"	220 V AC	220 V	220 V		Internal	with detent	Red	5894415780

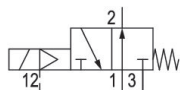
Dimensions in inches



1) port 1 2) port 2 3) port 3 4) core Ø for M 5 5) pocket hole 6 mm deep for 3.5 self-tapping screw 6) manual override 7) Pilot valve 8) coil can be rotated at 180° intervals

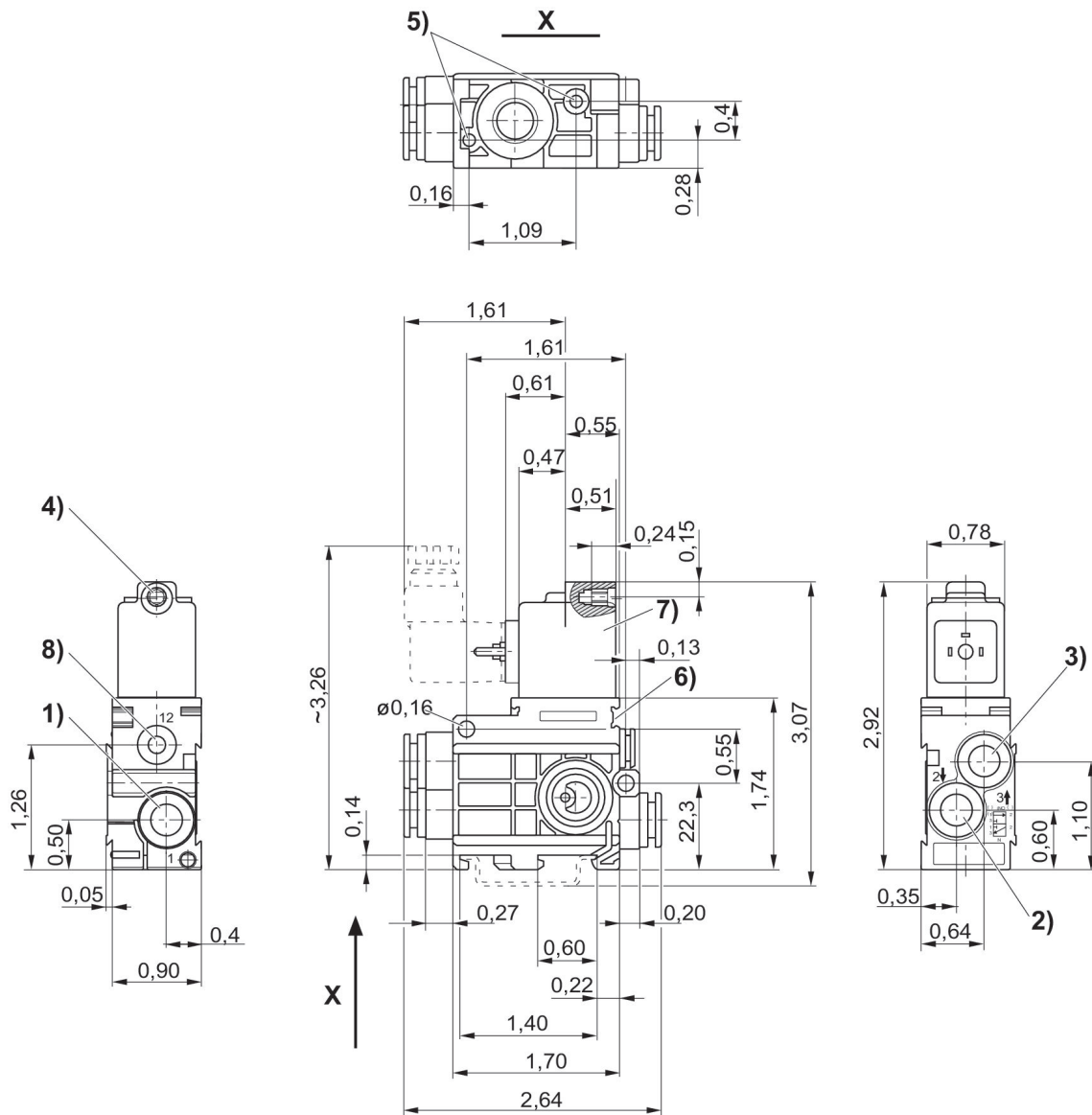
3/2-directional valve, Series 589

Plug
ISO 15217, form C
push-in fitting
Electrically
Ø 8x1
NO



Version	Type	Switching principle	Compressed air connection input	Compressed air connection output	Compressed air connection, exhaust	Operational voltage DC	Operational voltage AC at 50 Hz	Voltage tolerance DC	Min. control pressure [bar]	Max. control pressure [bar]	Pilot	LED	Part No.
NO	Single valve	3/2, with spring return	Ø 1/4"	Ø 1/4"	5/16"	12 V DC		-10% / +10%	3	10	External		5894420310
NO	Single valve	3/2, with spring return	Ø 1/4"	Ø 1/4"	5/16"	24 V DC		-10% / +10%	3	10	External		5894420320
NO	Single valve	3/2, with spring return	Ø 1/4"	Ø 1/4"	5/16"	24 V DC		-10% / +10%	3	10	External	Red	5894420720
NO	Single valve	3/2, with spring return	Ø 1/4"	Ø 1/4"	5/16"	24 V AC	24 V		3	10	External		5894425320
NO	Single valve	3/2, with spring return	Ø 1/4"	Ø 1/4"	5/16"	110 V AC	110 V		3	10	External		5894425370
NO	Single valve	3/2, with spring return	Ø 1/4"	Ø 1/4"	5/16"	220 V AC	220 V		3	10	External		5894425380
NO	Single valve	3/2, with spring return	Ø 1/4"	Ø 1/4"	5/16"	220 V AC	220 V		3	10	External	Red	5894425780

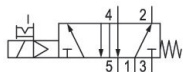
Dimensions in inches



- 1) port 1 2) port 2 3) port 3 4) Ø for M 5 5) pocket hole 6 mm deep for 3.5 self-tapping screw 6) mounting space for name plate 7) coil can be rotated at 180° intervals 8) port 12

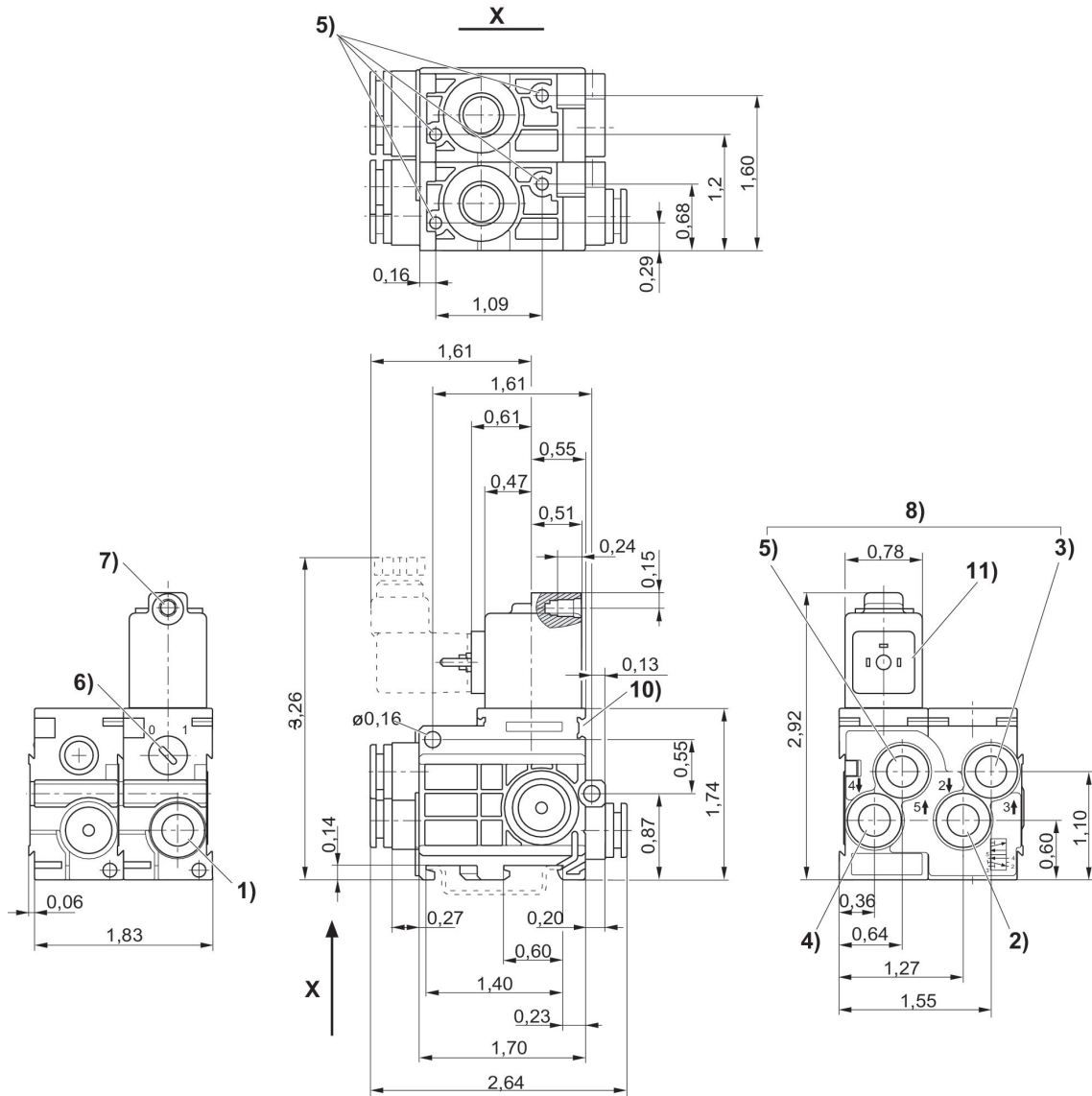
5/2-directional valve, Series 589

Plug
ISO 15217, form C
push-in fitting
Electrically
Ø 8x1



Type	Switching principle	Compressed air connection input	Compressed air connection output	Compressed air connection, exhaust	Operational voltage DC	Operational voltage AC at 50 Hz	Voltage tolerance DC	Pilot	Manual override	LED	Part No.
Single valve	5/2, with spring return	Ø 1/4"	Ø 1/4"	5/16"	12 V DC		-10% / +10%	Internal	with detent		5894700310
Single valve	5/2, with spring return	Ø 1/4"	Ø 1/4"	5/16"	24 V DC		-10% / +10%	Internal	with detent		5894700320
Single valve	5/2, with spring return	Ø 1/4"	Ø 1/4"	5/16"	24 V DC		-10% / +10%	Internal	with detent	Red	5894700720
Single valve	5/2, with spring return	Ø 1/4"	Ø 1/4"	5/16"	24 V AC	24 V		Internal	with detent		5894705320
Single valve	5/2, with spring return	Ø 1/4"	Ø 1/4"	5/16"	110 V AC	110 V		Internal	with detent		5894705370
Single valve	5/2, with spring return	Ø 1/4"	Ø 1/4"	5/16"	220 V AC	220 V		Internal	with detent		5894705380
Single valve	5/2, with spring return	Ø 1/4"	Ø 1/4"	5/16"	220 V AC	220 V		Internal	with detent	Red	5894705780

Dimensions in inches



1) port 1 2) port 2 3) port 3 4) port 4 5) port 5 6) manual override 7) core Ø for M 5 8) exhaust air must not be throttled 9) pocket hole 6 mm deep for 3.5 self-tapping screw 10) mounting space for name plate 11) coil can be rotated at 180° intervals

Valve plug connector, series CON-VP

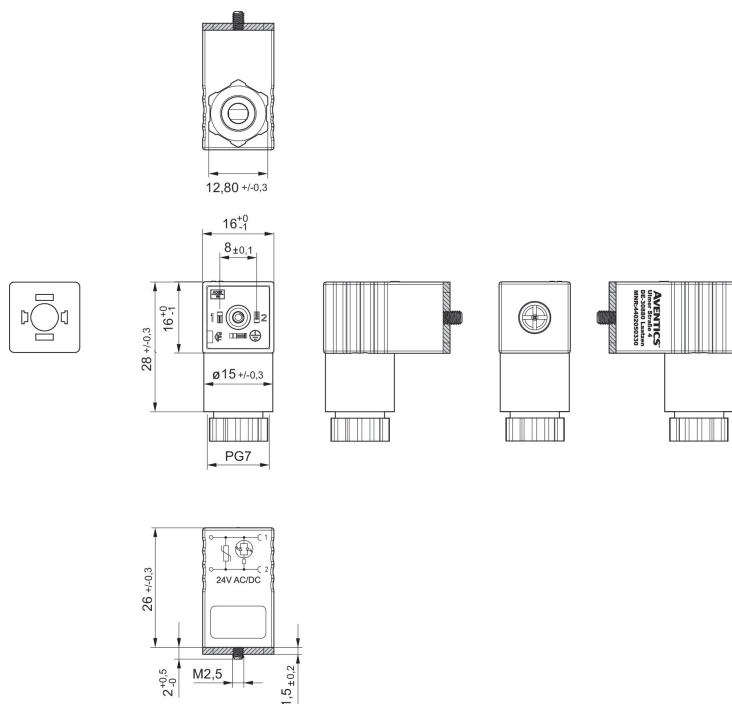
EN 175301-803, form C
CE declaration of conformity
UKCA



Operational voltage	Protective circuit	Max. current [A]	Contact assignment	LED status display	min. suitable cable Ø [mm]	max. suitable cable Ø [mm]	Part No.
24 V AC/DC	Varistor	1.5	2+E	Green	4	6	4402050330

4402050330

Dimensions



Flat gasket

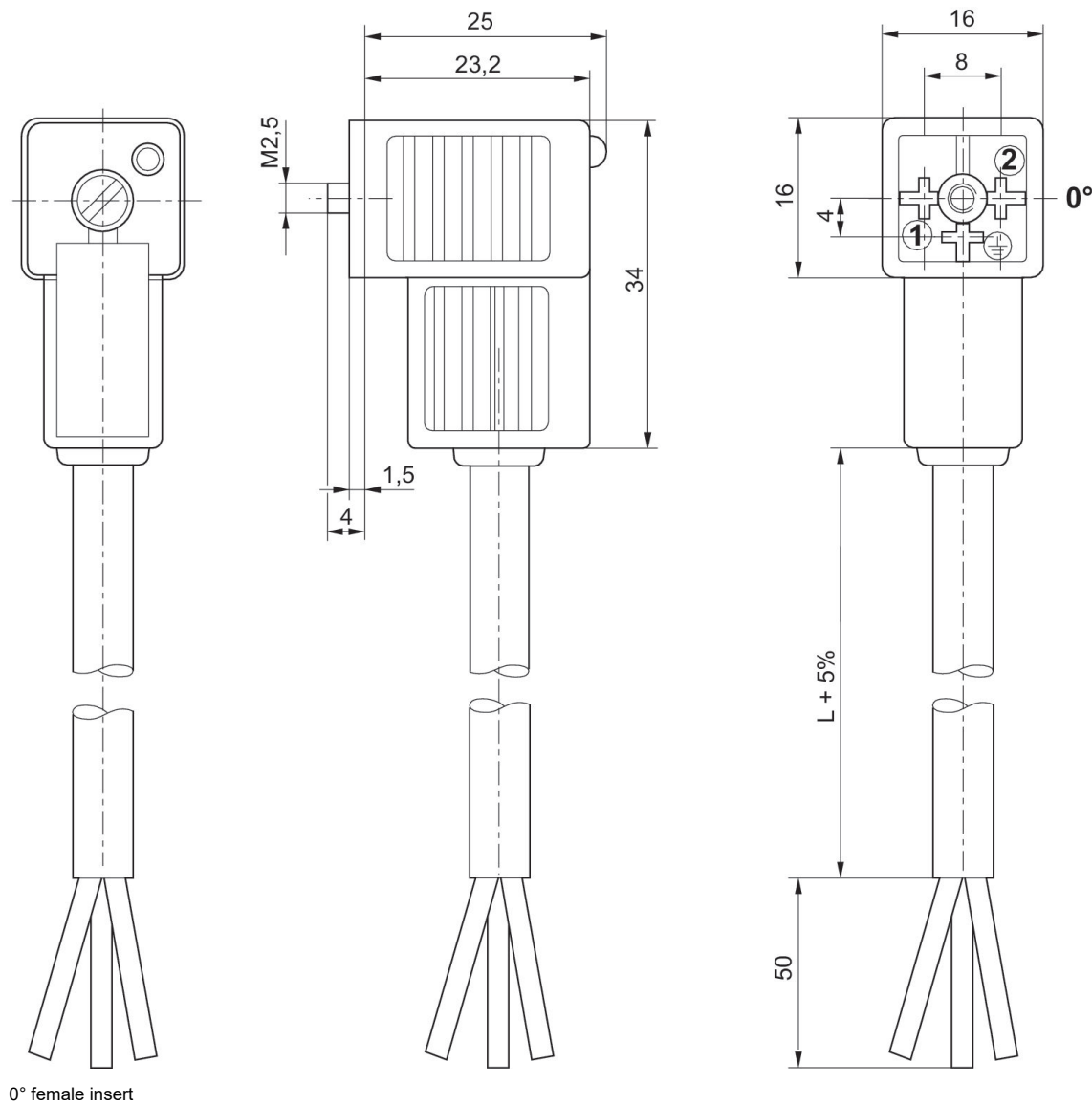
Valve plug connector, series CON-VP

form C



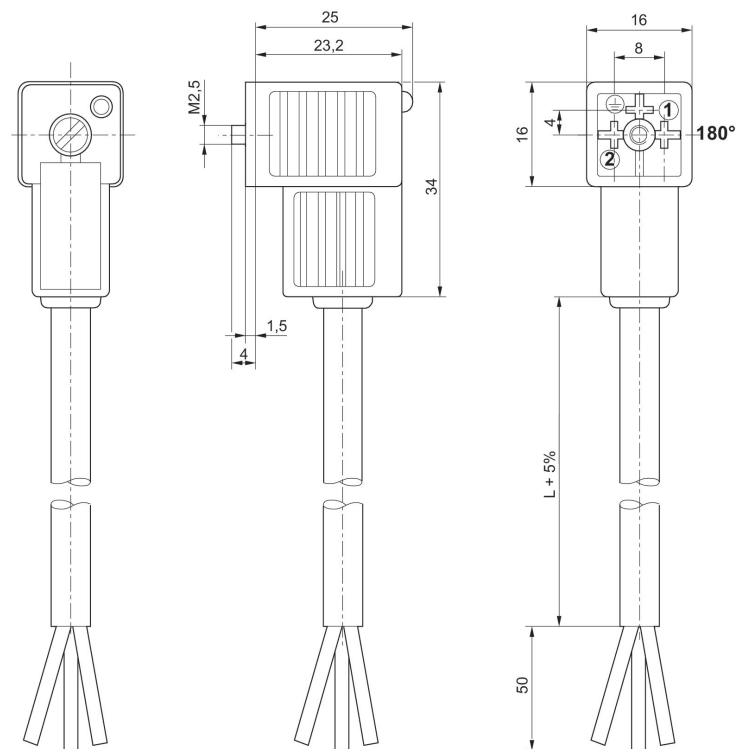
Operational voltage	Protective circuit	Max. current [A]	Contact assignment	LED status display	Cable-Ø [mm]	Cable length [m]	Part No.
24 V AC/DC	Z-diode	6	2+E	Yellow	5.9	3	1834484204
24 V AC/DC	Z-diode	6	2+E	Yellow	5.9	3	1834484205
24 V AC/DC	Z-diode	6	2+E	Yellow	5.9	5	1834484206
24 V AC/DC	Z-diode	6	2+E	Yellow	5.9	5	1834484207
24 V AC/DC	Z-diode	6	2+E	Yellow	5.9	10	1834484236
230 V AC/DC	Varistor	6	2+E	Yellow	5.9	3	1834484208
230 V AC/DC	Varistor	6	2+E	Yellow	5.9	3	1834484209
230 V AC/DC	Varistor	6	2+E	Yellow	5.9	5	1834484210
230 V AC/DC	Varistor	6	2+E	Yellow	5.9	5	1834484211
230 V AC/DC		6	2+E		5.9	3	1834484212
230 V AC/DC		6	2+E		5.9	3	1834484213
230 V AC/DC		6	2+E		5.9	5	1834484214
230 V AC/DC		6	2+E		5.9	5	1834484215

Dimensions



1834484205, 1834484207, 1834484236, 1834484209, 1834484211, 1834484213, 1834484215

Dimensions



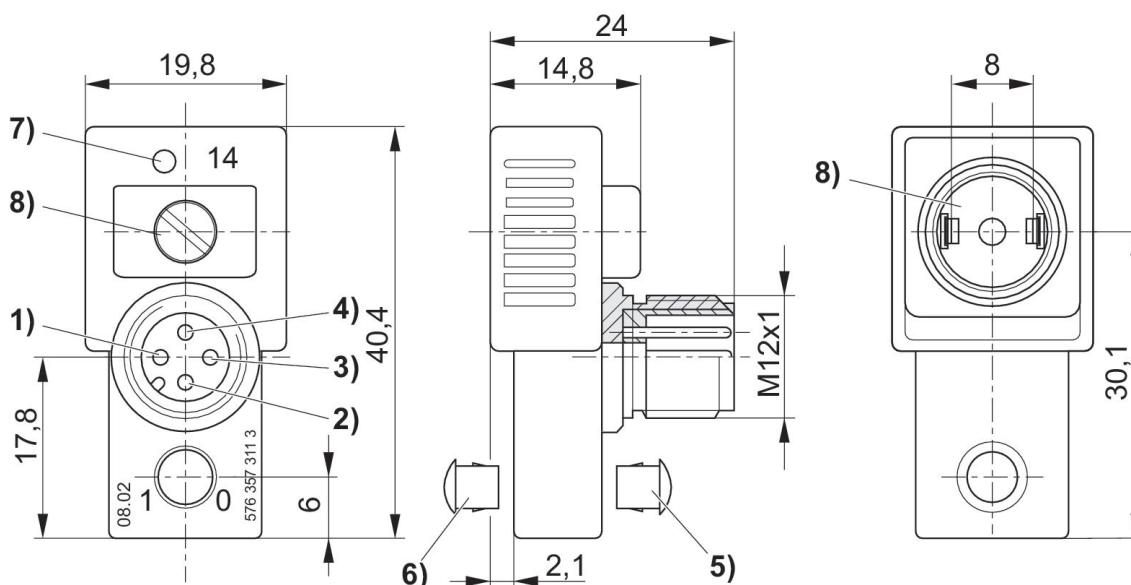
180° female insert

Contact bridges, series CON-CB



Max. current [A]	Contact assignment	LED status display	Part No.
4	4-pin	Yellow	5763573113

Dimensions



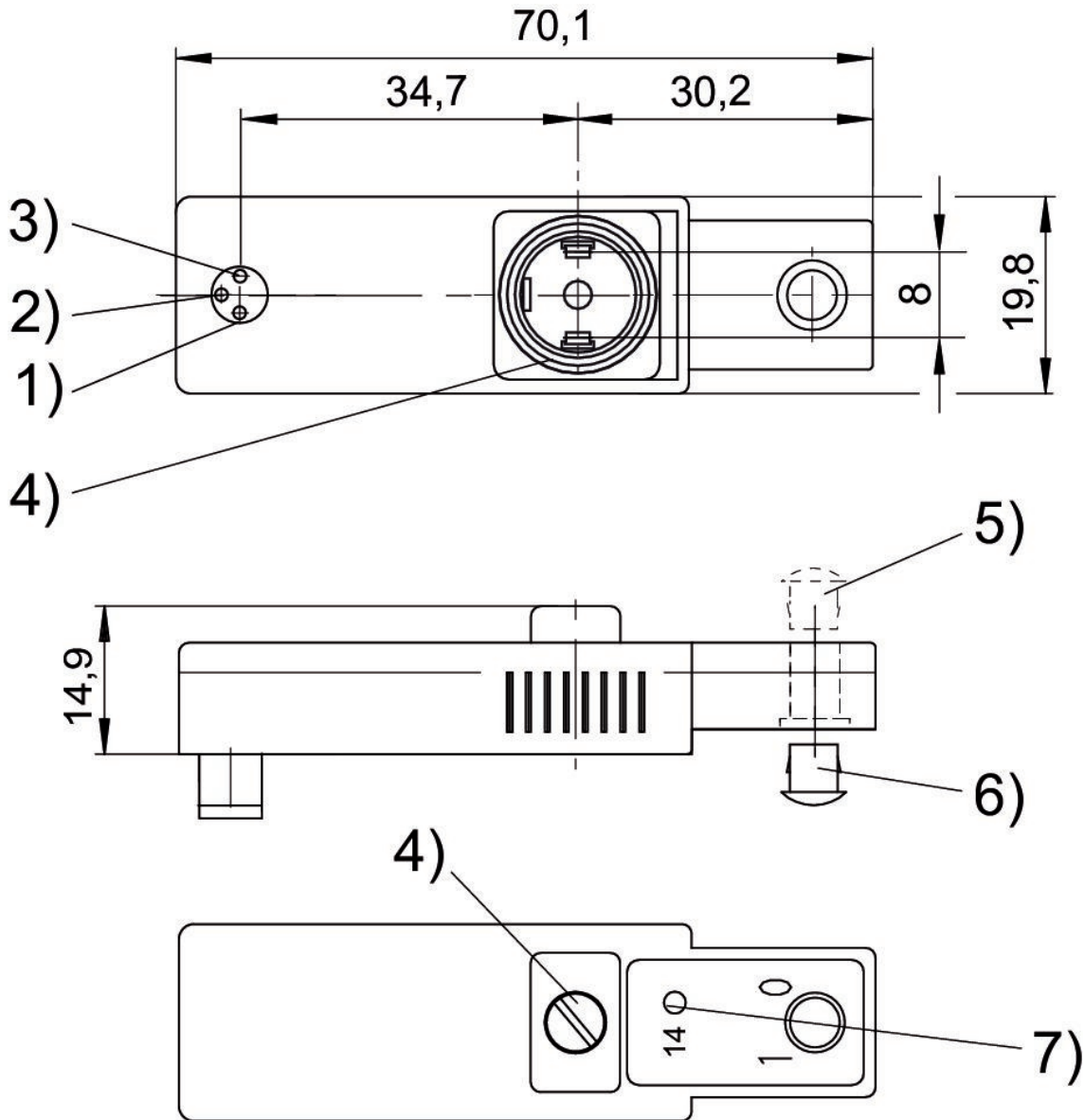
- 1) not assigned 2) not assigned 3) 0 V 4) magnet 14
- 5) Sealing cap for manual override not removable
- 6) Removable
- 7) LED valve
- 8) captive seal and screw

Contact bridges, series CON-CB



Max. current [A]	Contact assignment	LED status display	Part No.
0.5	3-pin	Yellow	5763503183

Dimensions

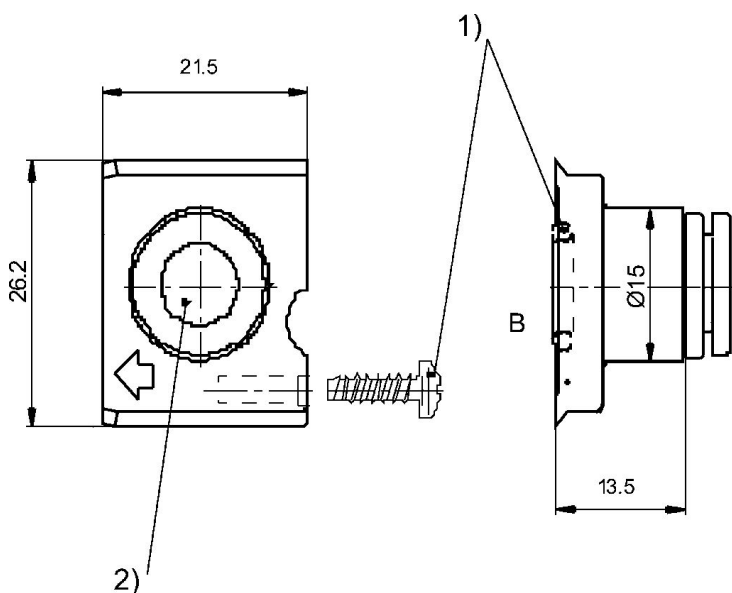


1) solenoid 14##2) not assigned##3) 0 V## 4) captive seal and screw##5) sealing cap for manual override not removable##6) removable##7) LED valve

Air connection module



Type	Delivery unit [piece]	Part No.
Air connection module	1	5790000092



- 1) mounting screw and O-ring included in scope of delivery
- 2) Push-in fitting Ø 8x1

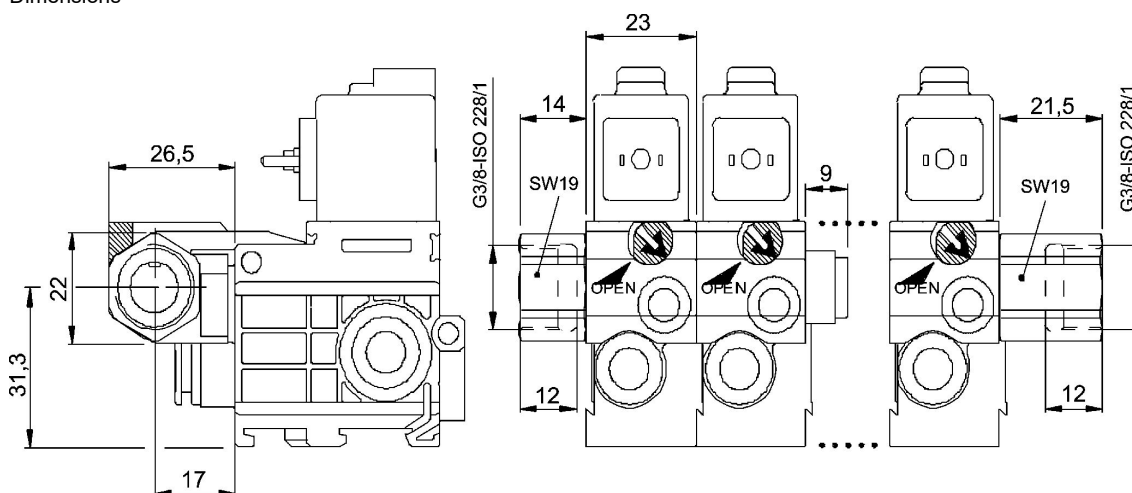
Collected exhaust, Series S11

579, 589



Type	Part No.
Output module left side G 3/8	5790002202
Stacking module	5790002212
End module	5790002222
Output module left side 10x 1	5790002232
Output module right side G 3/8	5790002242

Dimensions



Threaded pins



Type	Thread connection	Part No.
For mounting on the hat rail	M4	8102060582

Name plates



Type	Delivery unit [piece]	Part No.
1-10	5	8943056312
11-20	5	8943056322

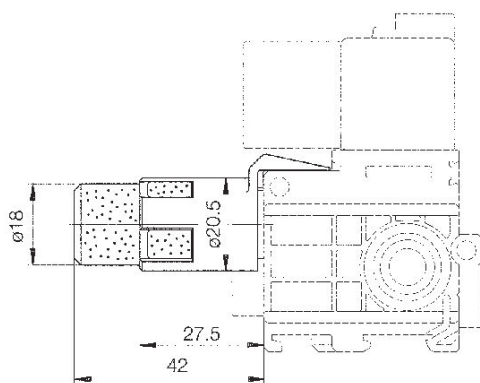
Silencers, series SI1

1300 l/min
Polyamide



Sound pressure level [dB]	Nominal flow [l/min]	Delivery unit [piece]	Weight [kg]	Part No.
78	1300	1	0.008	5790005312
78	1300	10	0.08	5790005332
78	1300	100	0.8	5790005352

Dimensions



Throttle valve, Series CH02

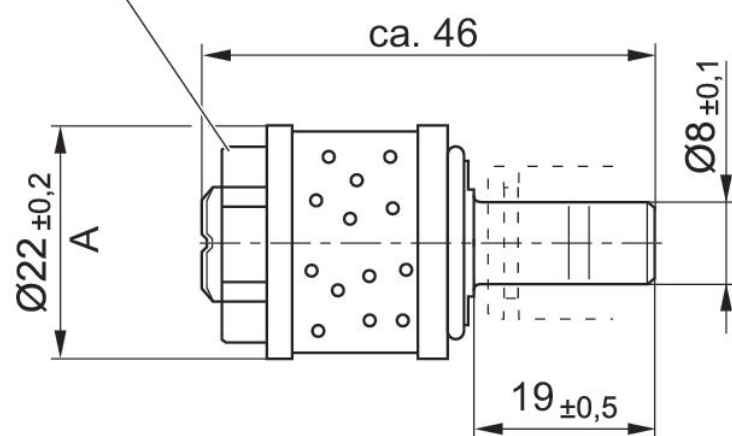
1300 l/min
Polyethylene



Input	Flow [l/min]	Part No.
Ø 8	1300	3341052010

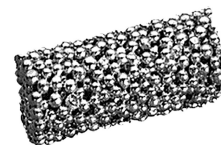
Dimensions

SW17



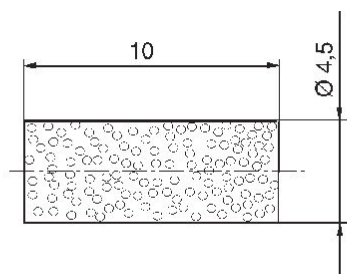
Silencers, series SI1

Sintered bronze



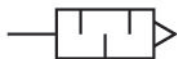
Weight [kg]	Part No.
0.008	8993800114

Dimensions



Silencers, series SI1

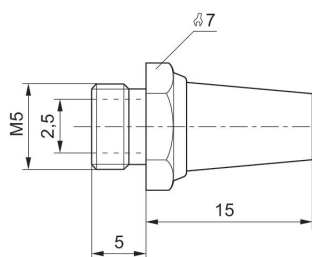
External thread
Sintered bronze



Compressed air connection	Sound pressure level [dB]	Nominal flow [l/min]	Delivery unit [piece]	Weight [kg]	Part No.
M5	72	398	10	0.004	1827000006

1827000006

Dimensions in mm



Efficient pneumatic solutions, our program: cylinders and drives, valves and valve systems, air supply management



Visit us: [Emerson.com/Aventics](https://www.emerson.com/aventics)

Your local contact: [Emerson.com/contactus](https://www.emerson.com/contactus)



[Emerson.com](https://www.emerson.com)



[Facebook.com/EmersonAutomationSolutions](https://www.facebook.com/EmersonAutomationSolutions)



[LinkedIn.com/company/Emerson-Automation-Solutions](https://www.linkedin.com/company/Emerson-Automation-Solutions)



[Twitter.com/EMR_Automation](https://twitter.com/EMR_Automation)

An example configuration is depicted on the title page. The delivered product may thus vary from that in the illustration. Subject to change. This Document, as well as the data, specifications and other information set forth in it, are the exclusive property of AVENTICS GmbH. It may not be reproduced or given to third parties without its consent. Only use the AVENTICS products shown in industrial applications. Read the product documentation completely and carefully before using the product. Observe the applicable regulations and laws of the respective country. When integrating the product into applications, note the system manufacturer's specifications for safe use of the product. The data specified only serve to describe the product. No statements concerning a certain condition or suitability for a certain application can be derived from our information. The information given does not release the user from the obligation of own judgment and verification. It must be remembered that the products are subject to a natural process of wear and aging.

The Emerson logo is a trademark and service mark of Emerson Electric Co. Brand logotype are registered trademarks of one of the Emerson family of companies. All other marks are the property of their respective owners. © 2019 Emerson Electric Co. All rights reserved.



CONSIDER IT SOLVED™