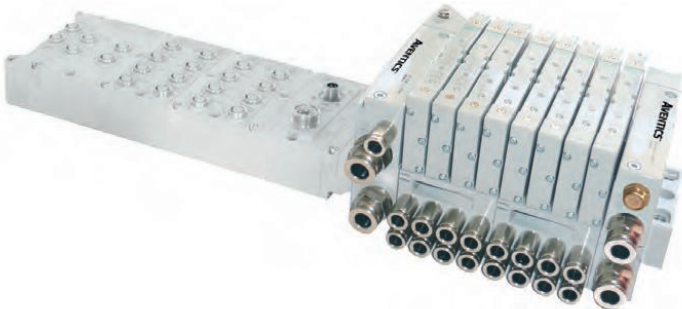


Series 501



AVENTICS™

AVENTICS Series 501 Directional Control Valves



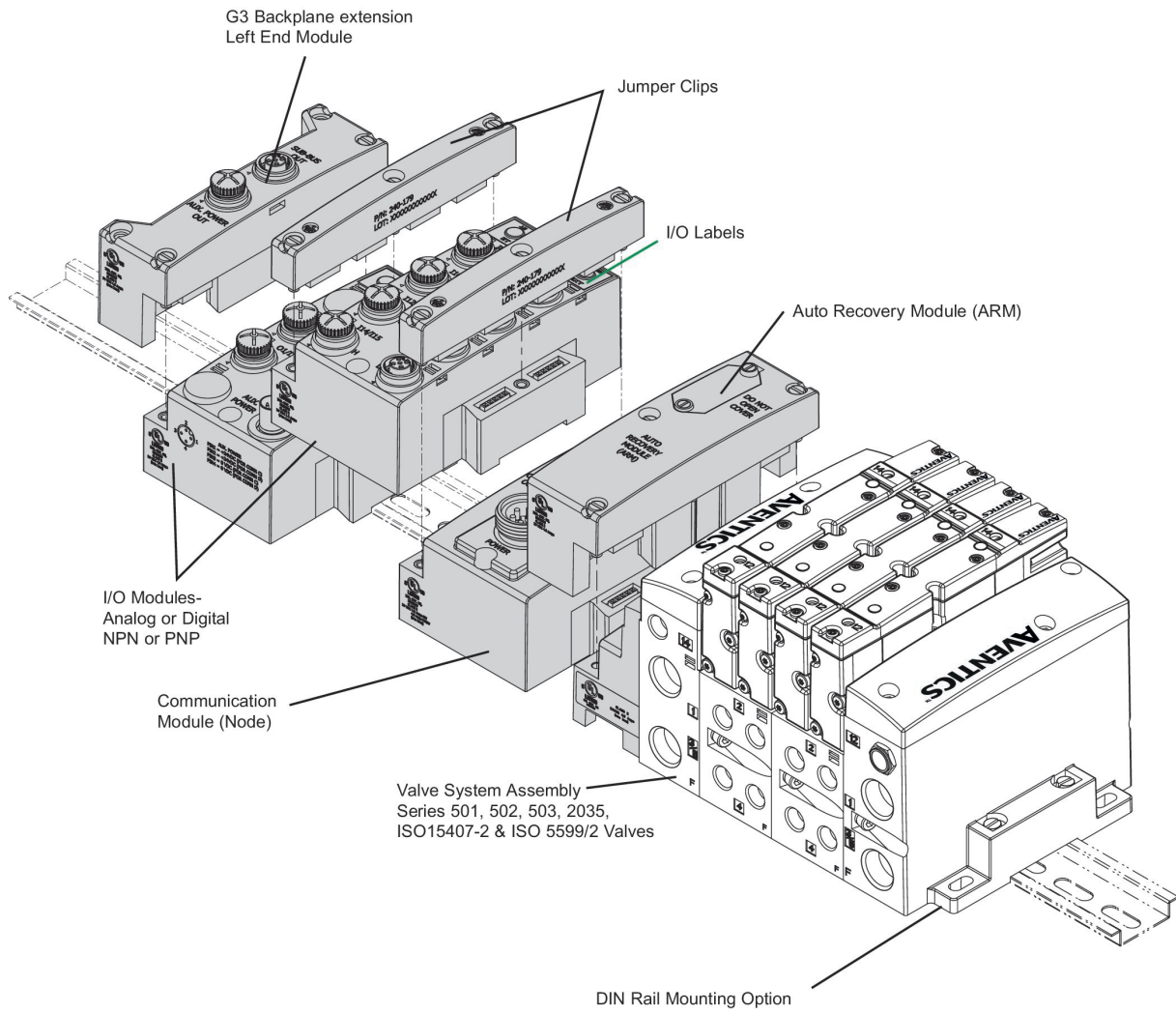
Series 501

The AVENTICS Series 501 is a line of general purpose automation valves designed for directional control and piloting applications requiring compact size, high flow capability, and energy savings. Engineers can achieve the flow of a 15 mm to 20 mm valves in a more compact package, saving space, cost, and energy in their machine designs. In addition, no other valve in its class offers such a broad range of pressure regulator, pressure shut-off, and exhaust flow control accessories. The 501 Series valve's pressure shut —off option permits users to replace individual valves without stopping their production process — reducing line downtime and maintenance.

- Modular design permits easy configuration and modification
- Sub-base mounted valve is well suited for in-panel valve piloting applications
- High flow rate, compact size, and optional mounting plate enable efficient use of cabinet space
- Dual three-way version enables placement of two, three-way valves in the space of a four-way valve
- Compatible with AVENTICS Series G3 and 580 electronic fieldbus platforms
- 580 CHARM node is compatible with DeltaV distributed control system with electronic marshalling



Accessories overview



Product overview

	Page
Valve systems	
2x3/2-directional valve, Series 501.....	7
5/2-directional valve, Series 501.....	9
5/2, with spring return	
5/2-directional valve, Series 501.....	10
5/2, double solenoid	
5/3-directional valve, Series 501.....	11
Accessories overview Bus coupler, Series 580	
Bus coupler, Series 580.....	12
CANopen	
Series 580.....	14
DeviceNet	
Series 580.....	16
EtherCAT	
Series 580.....	18
EtherNet/IP	
Series 580.....	20
POWERLINK	
Series 580.....	22
PROFIBUS DP	
Series 580.....	24
Profinet	
Bus coupler, Series 580.....	26
DeltaV	
Series 580.....	28
IO-Link	
Accessories overview Bus coupler, Series G3	
Bus coupler, Series G3.....	30
DeviceNet	
Series G3.....	32
MODBUS TCP	
Series G3.....	34
PROFIBUS DP	
Series G3.....	36
Profinet	
Series G3.....	38
POWERLINK	
Series G3.....	40
CANopen	
Series G3.....	42
EtherNet/IP	
Series G3.....	44
EtherCAT	
Series G3.....	46
EtherCAT	
Distributor.....	48
Accessories overview I/O modules, Series G3	
IO-Link Master, class A (8 ports), Series G3.....	50

Product overview

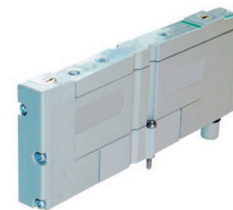
	Page
I/O modules, Series G3..... Screw terminal block	52
I/O modules, Series G3..... Socket	54
I/O modules, Series G3..... Plug	56
I/O modules, Series G3..... Socket	57
I/O modules, Series G3..... Socket	59
I/O modules, Series G3..... Socket	61
I/O modules, Series G3.....	63
Accessories overview Base plate valves, electrically operated	
Shut-off sandwich plate accessories.....	65
Blanking plate, series 501.....	66
Throttle sandwich plate accessories, series 501.....	67
Sandwich plate pressure regulator, series 501.....	68
End plate, series 501.....	69
Accessories overview Mechanical accessories	
Connection piece.....	70
Accessories overview Accessories with D-Sub	
Multipole plug, series CON-MP.....	72
Multipole plug, series CON-MP.....	74
Accessories overview Accessories with M12 plug	
Round plug connector, Series CON-RD.....	76
Round plug connector, Series CON-RD.....	77
Round plug connector, Series CON-RD..... DeviceNet	78
Round plug connector, Series CON-RD.....	79
Round plug connector, Series CON-RD..... Socket	80
Round plug connector, Series CON-RD..... Socket	81
Y-Plug connector, series CON-RD..... 2x Socket	82
Y-Plug connector, series CON-RD..... 2 x open cable ends	83
Round plug connector, Series CON-RD.....	84
Round plug connector, Series CON-RD..... EtherNet/IP EtherCAT POWERLINK sercos III	85
Round plug connector, Series CON-RD.....	86
Round plug connector, Series CON-RD.....	88
Round plug connector, Series CON-RD..... DeviceNet	89
Round plug connector, Series CON-RD.....	90
Round plug connector, Series CON-RD..... Socket	91

Product overview

	Page
Round plug connector, Series CON-RD..... open cable ends	92
Round plug connector, Series CON-RD..... Socket	94
Round plug connector, Series CON-RD..... Socket	95
Data final plug, Series CON-RD.....	97
Data final plug, Series CON-RD..... DeviceNet	98
Y-Plug connector, series CON-AP.....	99
Y-Plug connector, series CON-AP..... 2x Socket	100
Accessories overview Accessories with M8 plug	
Round plug connector, Series CON-RD.....	101
Round plug connector, Series CON-RD, Plug M8x1.....	102
Round plug connector, Series CON-RD.....	103
Round plug connector, Series CON-RD.....	104
Round plug connector, Series CON-RD..... Socket	105
Round plug connector, Series CON-RD.....	106
Adapter, Series CON-AP..... Socket	108
Accessories overview Accessories, Series G3	
End plate left.....	109
Left end plate for Subbus G3.....	111
Right end plate for Subbus G3.....	113
Right end plate for G3 Standalone.....	115
Wireless auto-recovery module, series G3.....	117
G3 Subbus module..... Plug	119
Right end plate for G3 Standalone.....	121

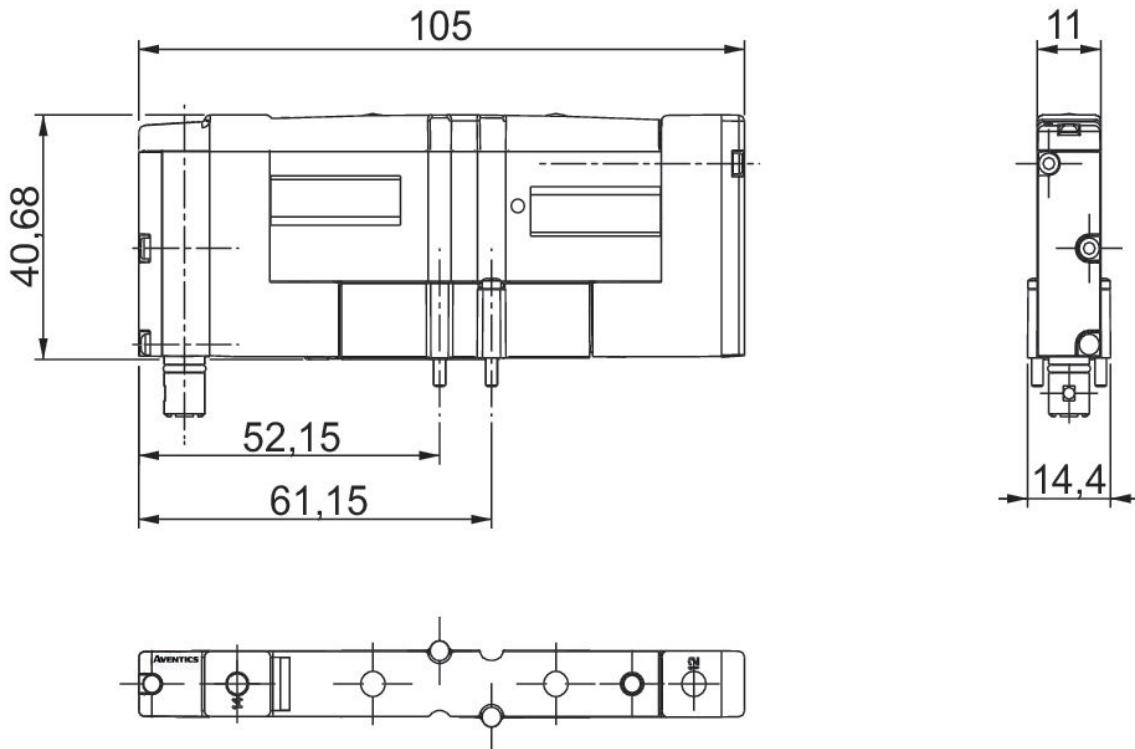
2x3/2-directional valve, Series 501

Activation: Electrically
 Actuating control: Double Solenoid
 Min. control pressure: 2 bar
 Max. control pressure: 8 bar
 Type: Spool valve, positive overlapping



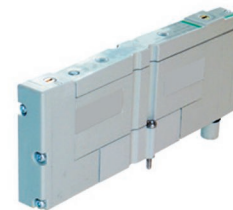
Manual override	Valve function	Switching principle	Operational voltage	Pilot	Voltage tolerance DC	Power consumption DC [W]	Part No.
without detent	NC/NC	2x 3/2 NC/NC, with spring return	24 V DC	External	-15 % / +10 %	0.68	R501A2B-D0MA00F1
without detent	NO/NO	2x 3/2 NO/NO, with spring return	24 V DC	External	-15 % / +10 %	0.68	R501A2BA0MA00F1
without detent	NC/NO	2x 3/2 NC/NO, with spring return	24 V DC	External	-15 % / +10 %	0.68	R501A2BC0MA00F1
with detent	NC/NC	2x 3/2 NC/NC, with spring return	24 V DC	External	-15 % / +10 %	0.68	R501A2B-D0M11BF1
with detent	NO/NO	2x 3/2 NO/NO, with spring return	24 V DC	External	-15 % / +10 %	0.68	R501A2BA0M11BF1
with detent	NC/NO	2x 3/2 NC/NO, with spring return	24 V DC	External	-15 % / +10 %	0.68	R501A2BC0M11BF1

Dimensions



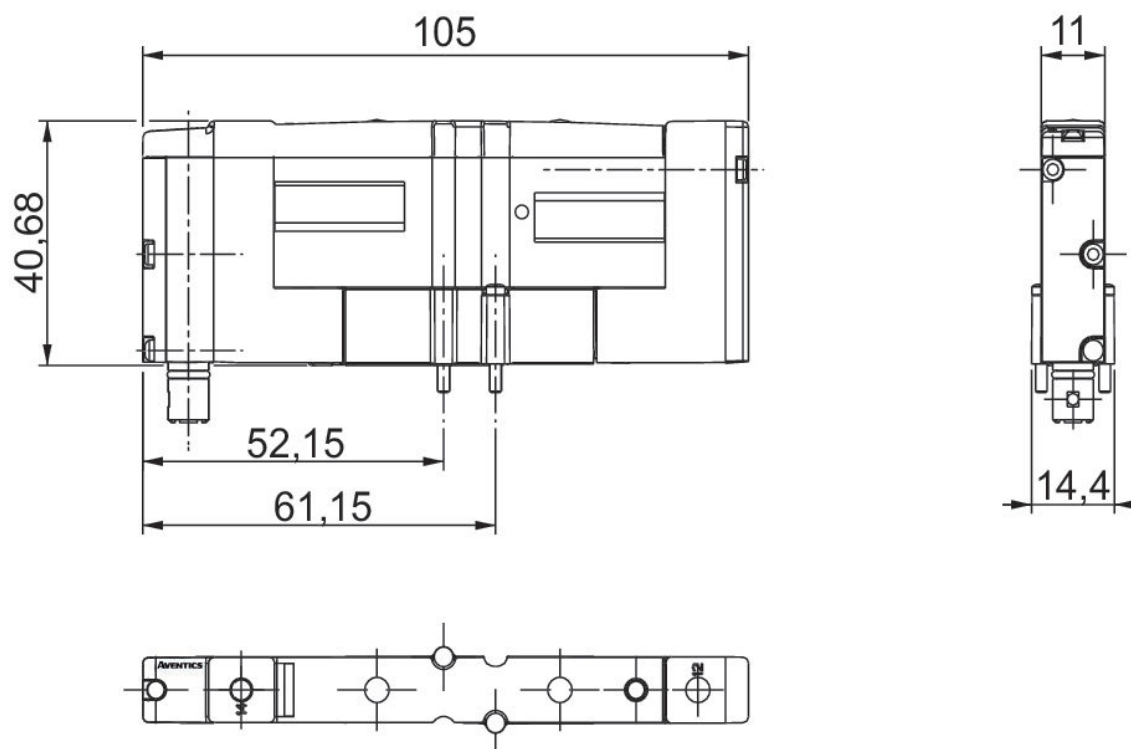
5/2-directional valve, Series 501

Activation: Electrically
 Min. control pressure: 2 bar
 Max. control pressure: 8 bar
 Type: Spool valve, positive overlapping



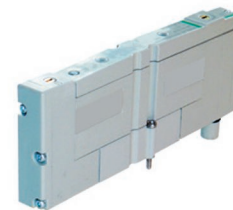
Manual override	Valve function	Switching principle	Operational voltage	Pilot	Voltage tolerance DC	Power consumption DC [W]	Part No.
without detent	NC/NO	5/2, with spring return	24 V DC	External	-15 % / +10 %	0.68	R501A2B10MA00F1
with detent	NC/NO	5/2, with spring return	24 V DC	External	-15 % / +10 %	0.68	R501A2B10M11BF1

Dimensions



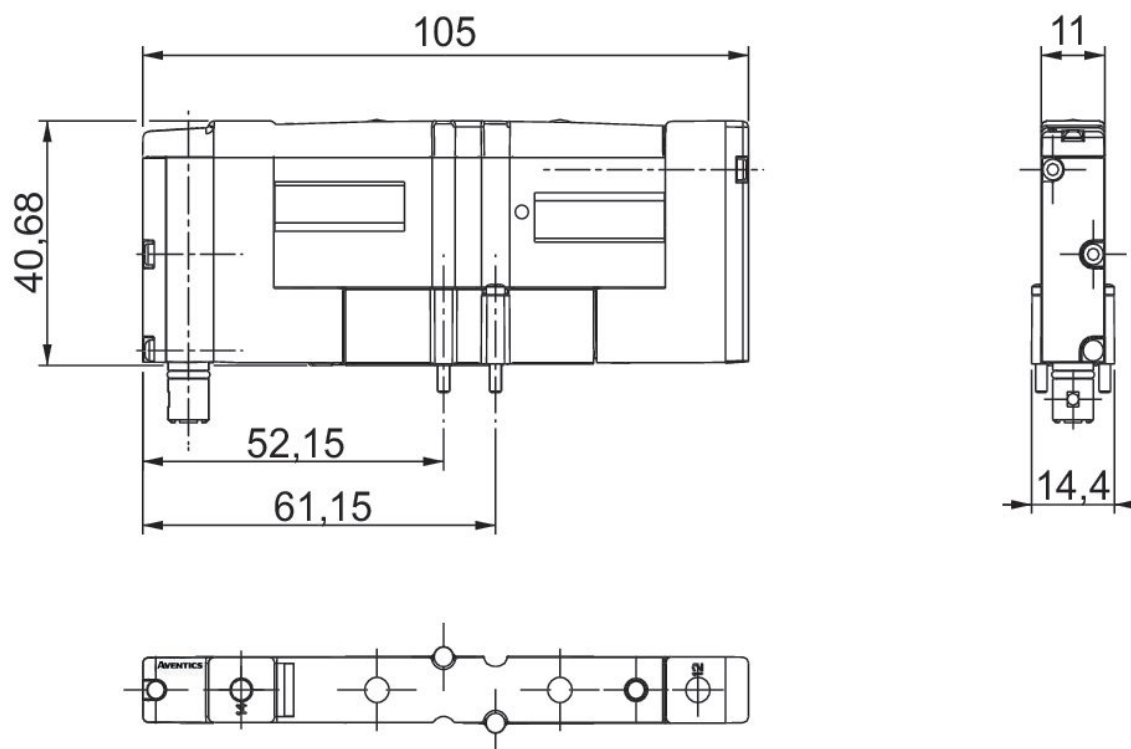
5/2-directional valve, Series 501

Activation: Electrically
 Min. control pressure: 2 bar
 Max. control pressure: 8 bar
 Type: Spool valve, positive overlapping



Manual override	Valve function	Switching principle	Operational voltage	Pilot	Voltage tolerance DC	Power consumption DC [W]	Part No.
without detent	NC/NO	5/2, double solenoid	24 V DC	External	-15 % / +10 %	0.68	R501A2B40MA00F1
with detent	NC/NO	5/2, double solenoid	24 V DC	External	-15 % / +10 %	0.68	R501A2B40M11BF1

Dimensions



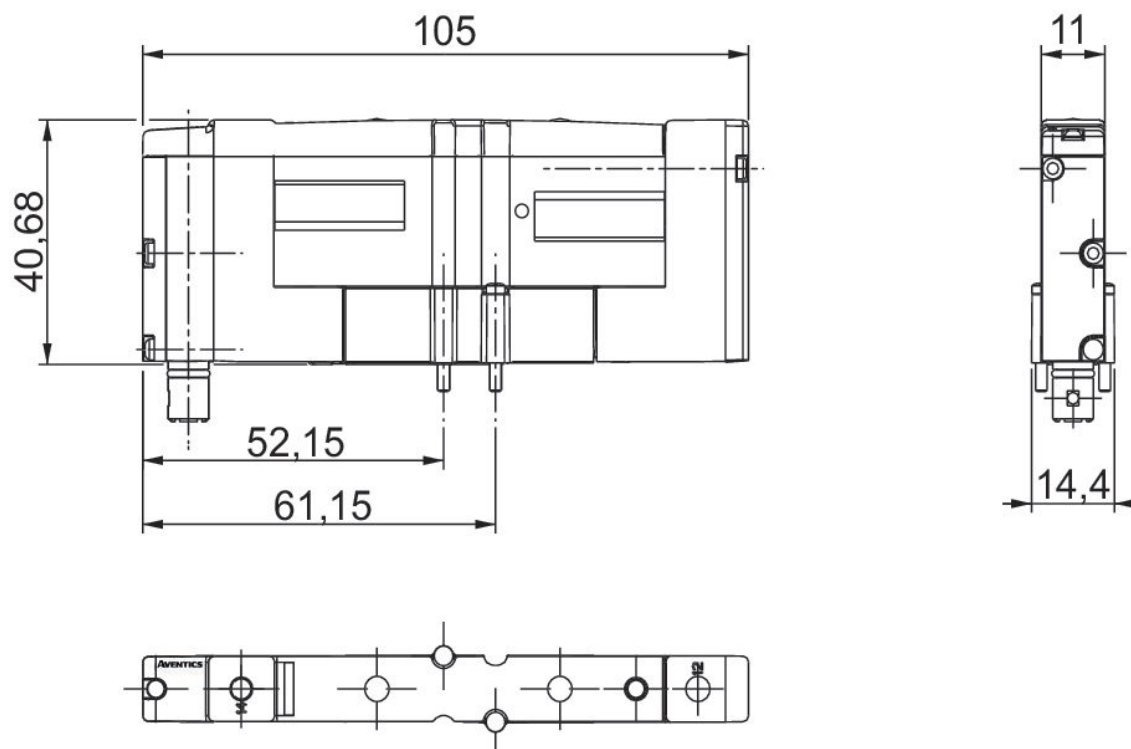
5/3-directional valve, Series 501

Activation: Electrically
Actuating control: Double Solenoid
Max. control pressure: 8 bar
Type: Spool valve, positive overlapping



Manual override	Valve function	Switching principle	Operational voltage	Pilot	Voltage tolerance DC	Power consumption DC [W]	Part No.
without detent	Exhausted Center	5/3, exhausted center	24 V DC	External	-15 % / +10 %	0.68	R501A2B50MA00F1
without detent	Closed Center	5/3, closed center	24 V DC	External	-15 % / +10 %	0.68	R501A2B60MA00F1
without detent	Pressurized Center	5/3, pressurized center	24 V DC	External	-15 % / +10 %	0.68	R501A2B70MA00F1
with detent	Exhausted Center	5/3, exhausted center	24 V DC	External	-15 % / +10 %	0.68	R501A2B50M11BF1
with detent	Closed Center	5/3, closed center	24 V DC	External	-15 % / +10 %	0.68	R501A2B60M11BF1
with detent	Pressurized Center	5/3, pressurized center	24 V DC	External	-15 % / +10 %	0.68	R501A2B70M11BF1

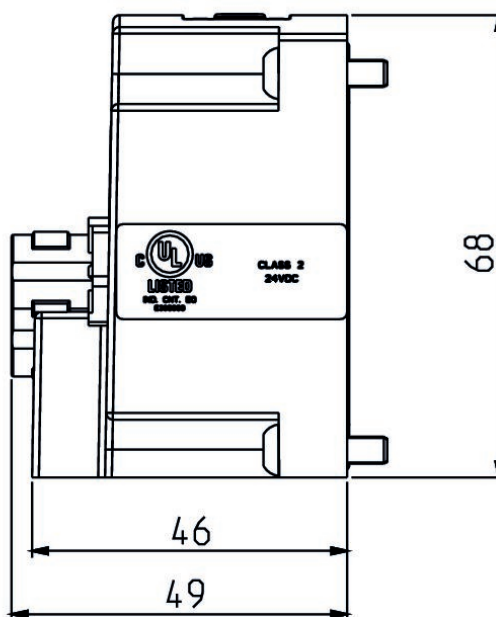
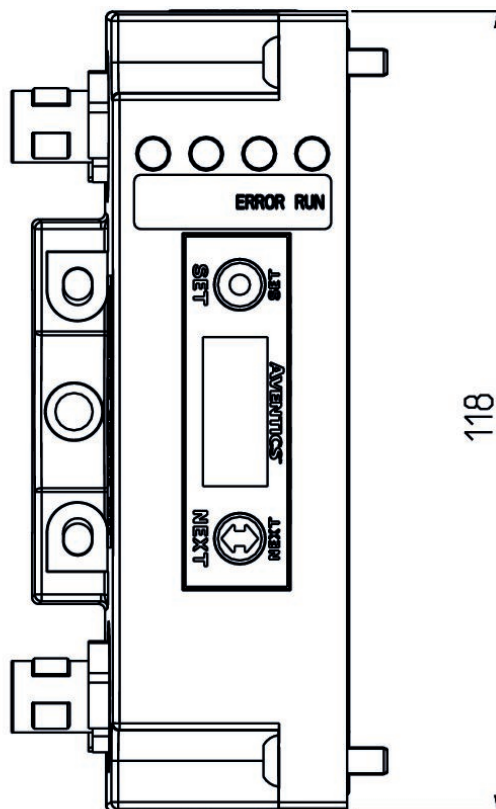
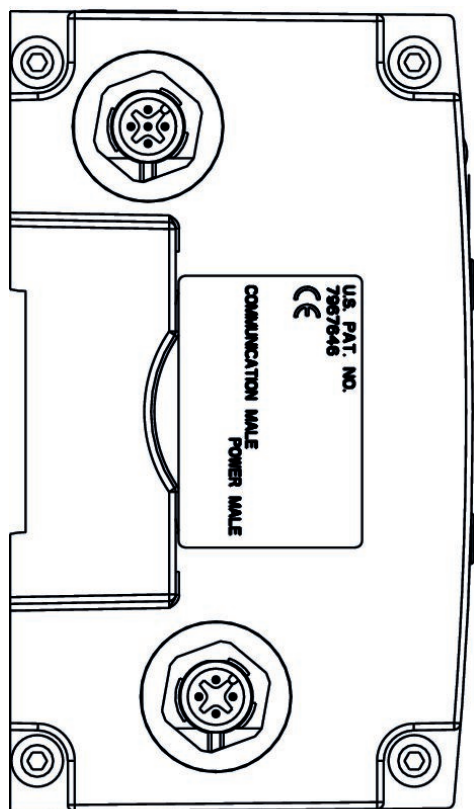
Dimensions



Bus coupler, Series 580



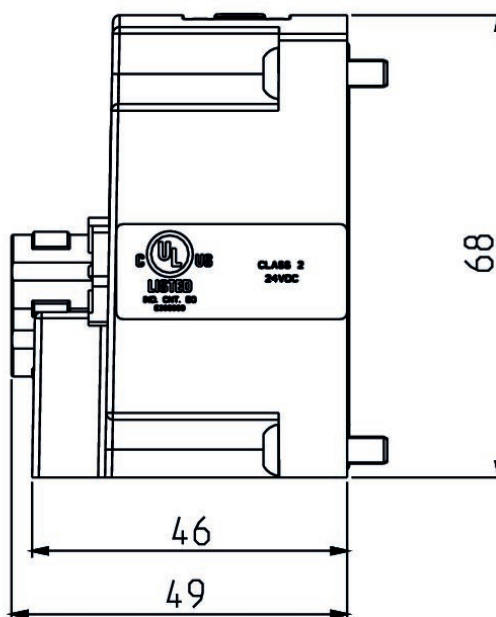
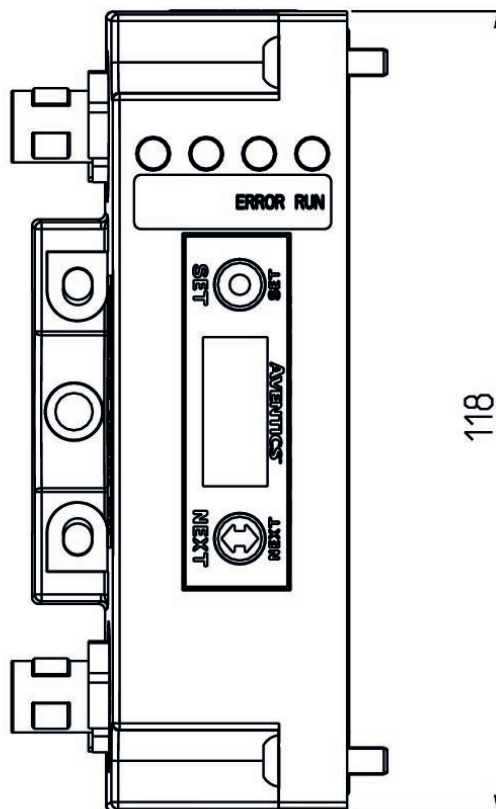
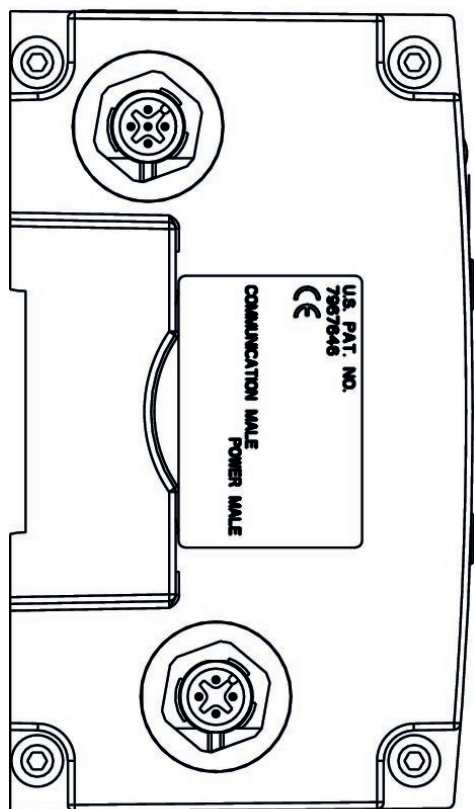
Fieldbus protocol	Number of poles	Operational voltage electronics	Operational voltage electronics	Part No.
CANopen	4-pin	24 V DC	-10 % / +10 %	P580AE-CO1010A00



Series 580



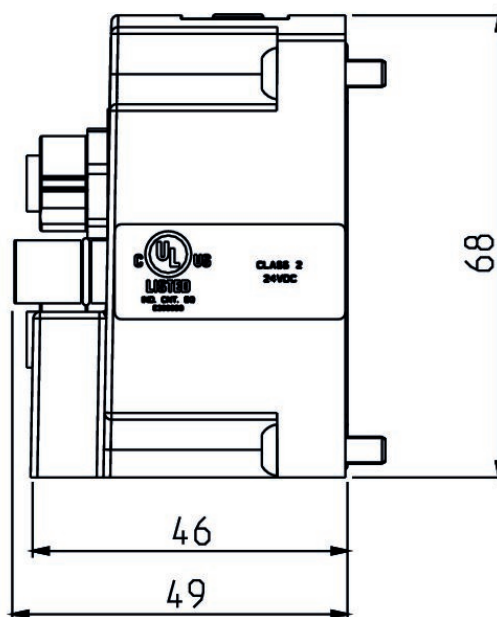
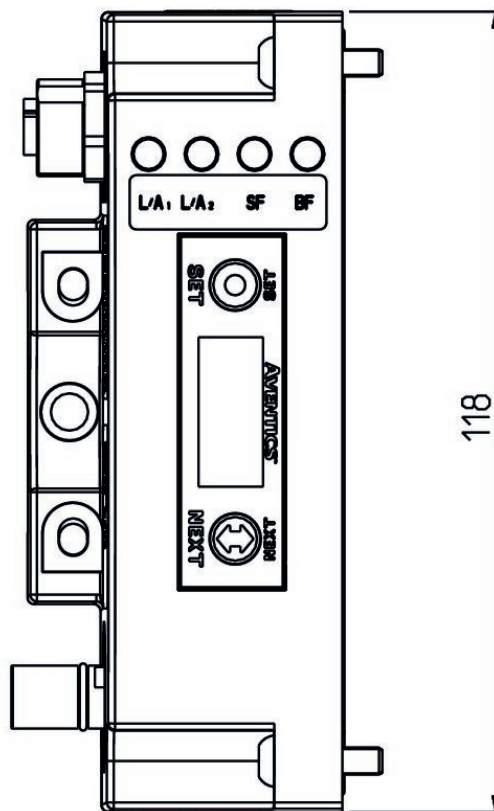
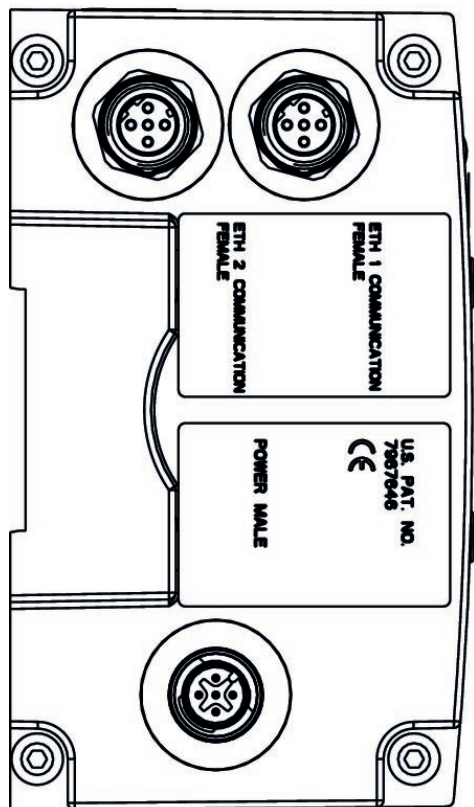
Fieldbus protocol	Number of poles	Operational voltage electronics	Operational voltage electronics	Part No.
DeviceNet	4-pin	24 V DC	-10 % / +10 %	P580AEDN1010A00



Series 580



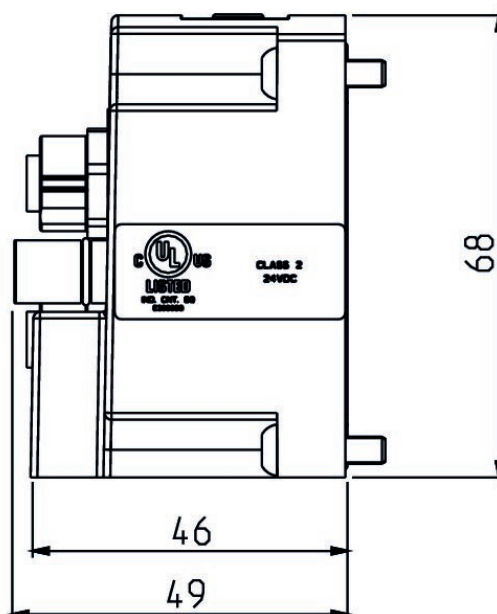
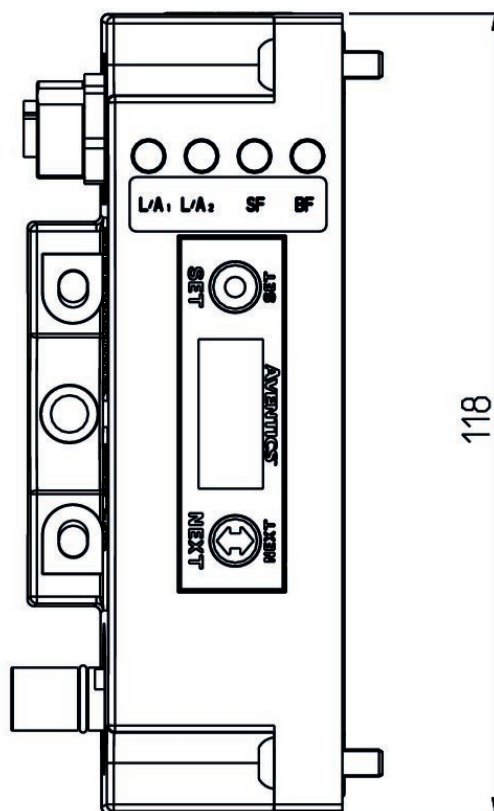
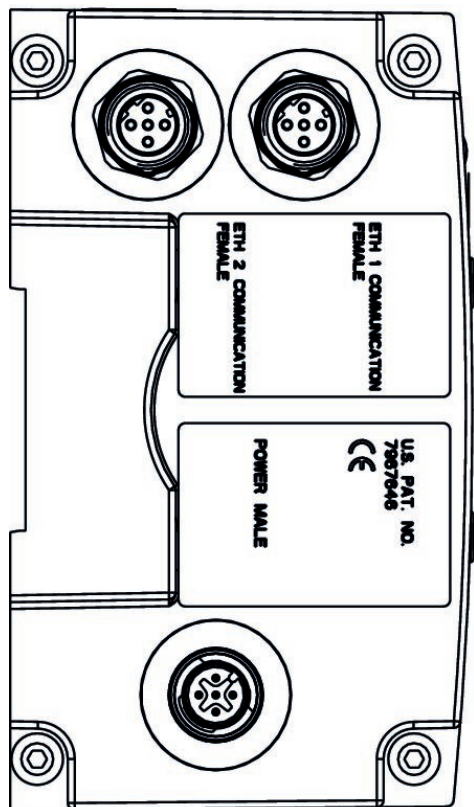
Fieldbus protocol	Number of poles	Operational voltage electronics	Operational voltage electronics	Part No.
EtherCAT	5-pin	24 V DC	-10 % / +10 %	P580AEEC1010A00



Series 580



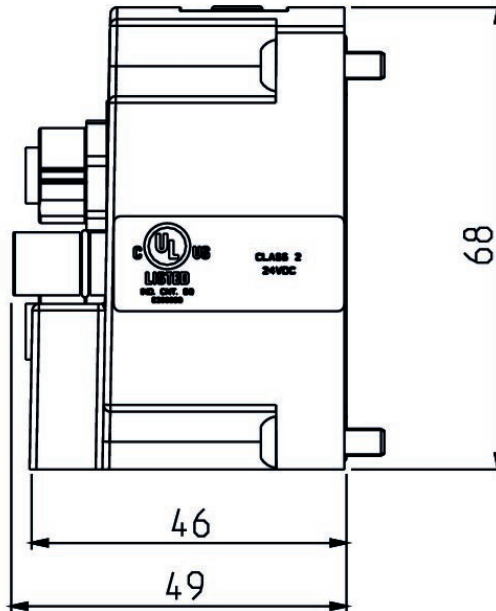
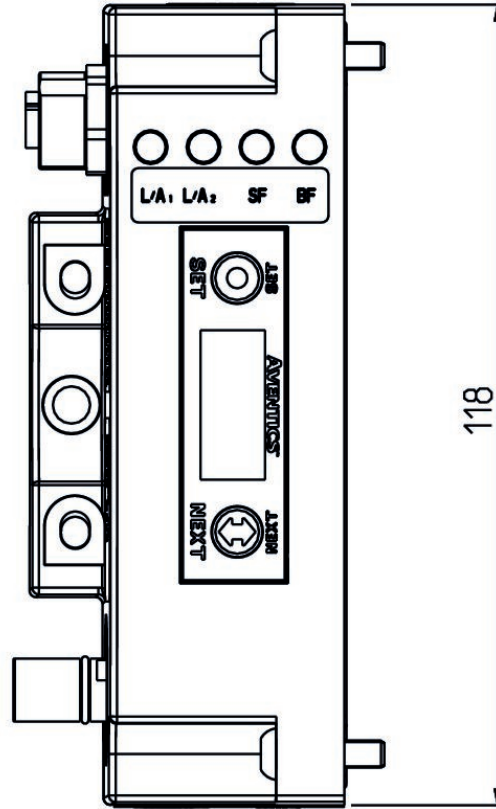
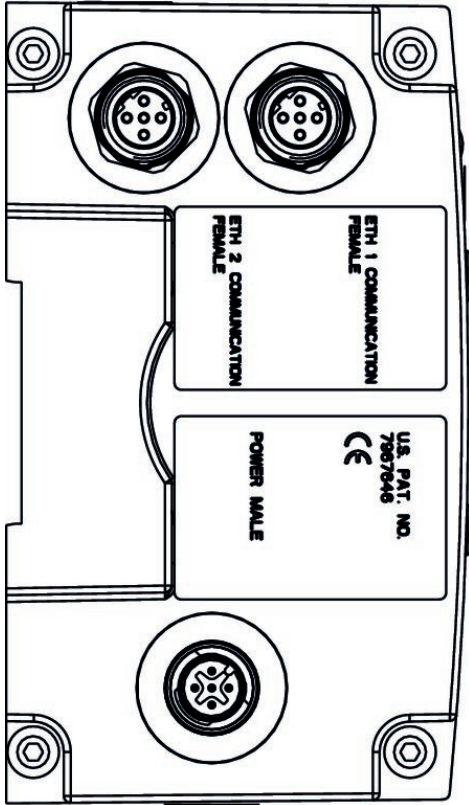
Fieldbus protocol	Number of poles	Operational voltage electronics	Operational voltage electronics	Part No.
EtherNet/IP	4-pin	24 V DC	-10 % / +10 %	P580AEED1010A00



Series 580



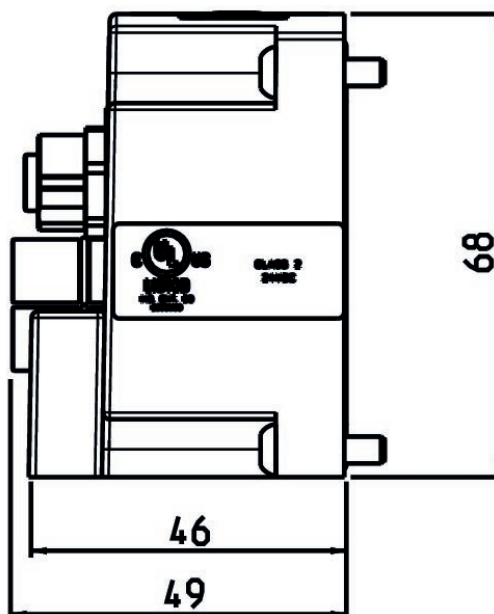
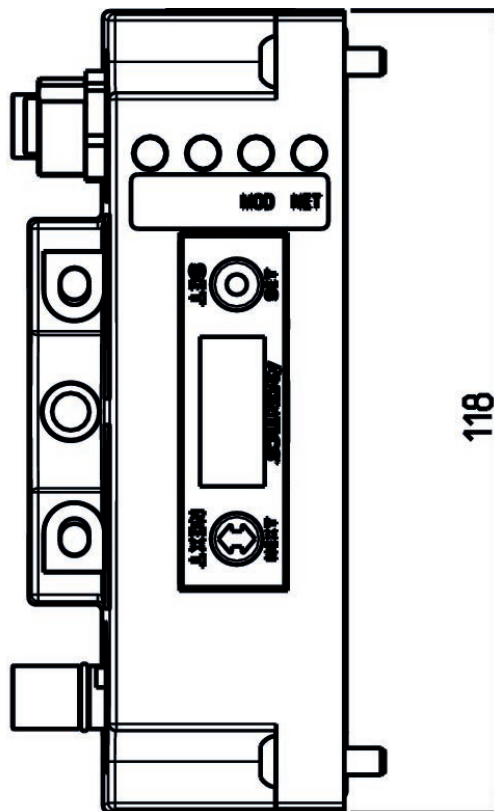
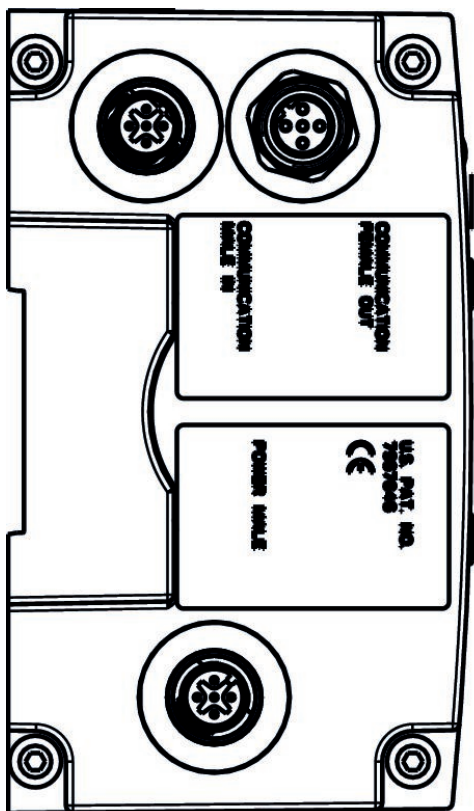
Fieldbus protocol	Number of poles	Operational voltage electronics	Operational voltage electronics	Part No.
POWERLINK	4-pin	24 V DC	-10 % / +10 %	P580AEPL1010A00



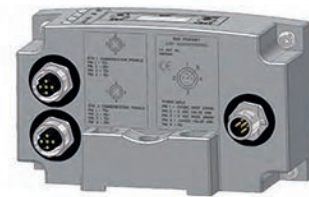
Series 580



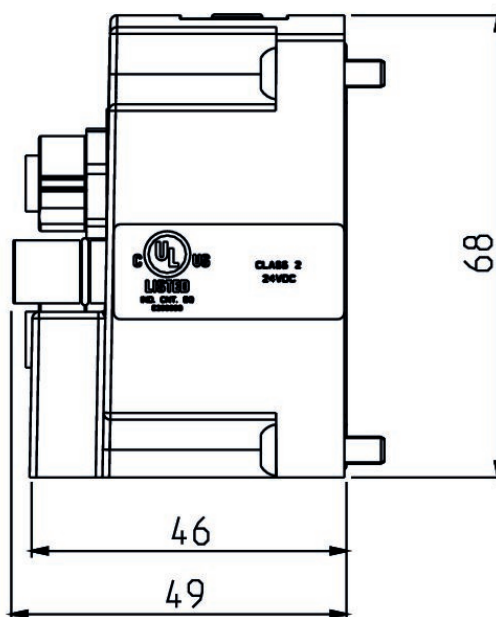
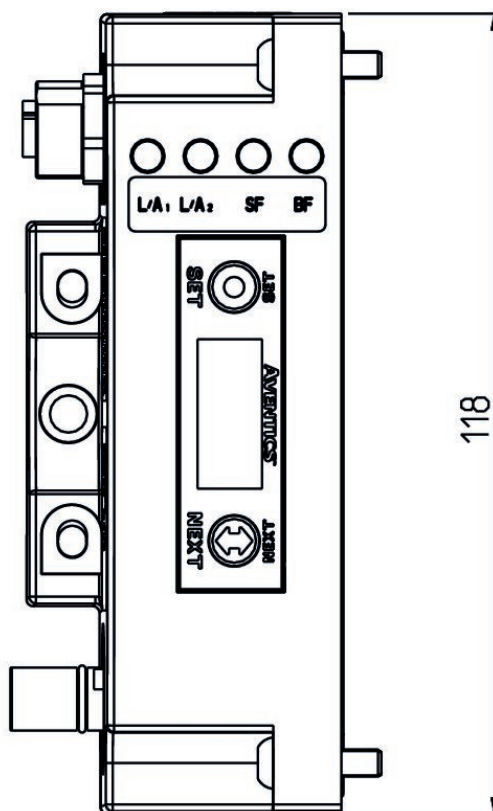
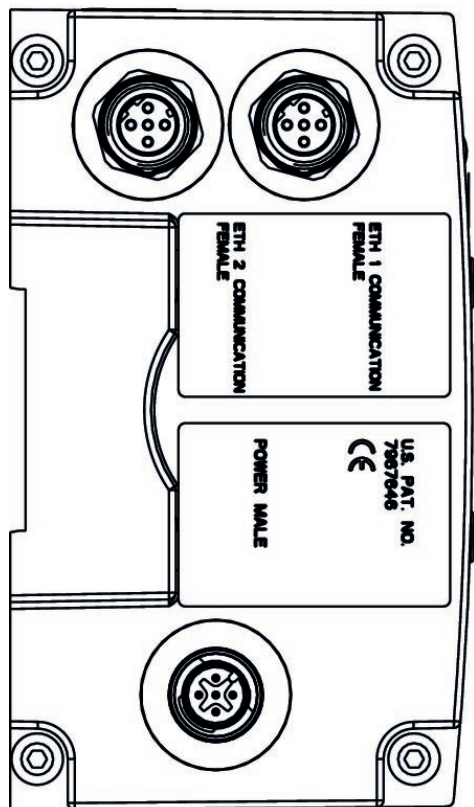
Fieldbus protocol	Number of poles	Operational voltage electronics	Operational voltage electronics	Part No.
PROFIBUS DP	5-pin	24 V DC	-10 % / +10 %	P580AEPT1010A00



Series 580



Fieldbus protocol	Number of poles	Operational voltage electronics	Operational voltage electronics	Part No.
Profinet	5-pin	24 V DC	-10 % / +10 %	P580AEPN1010A00

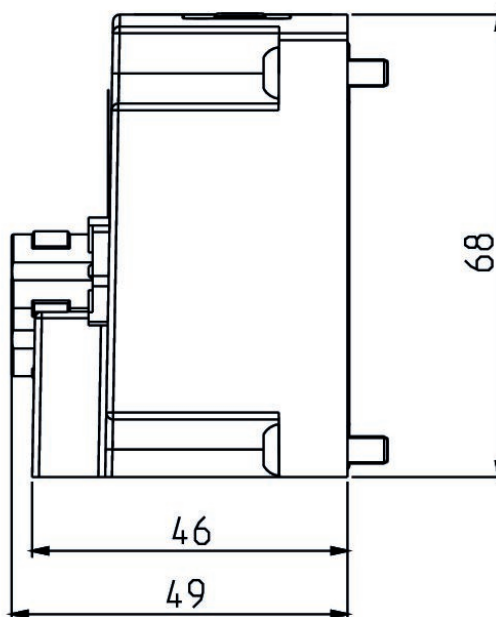
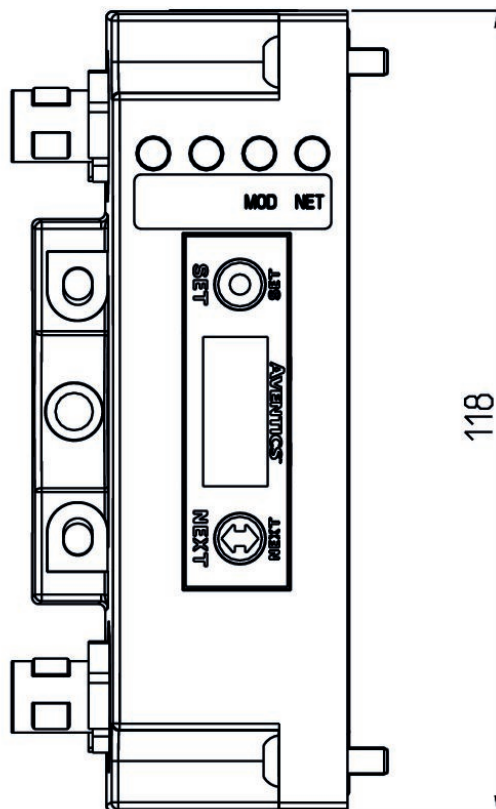
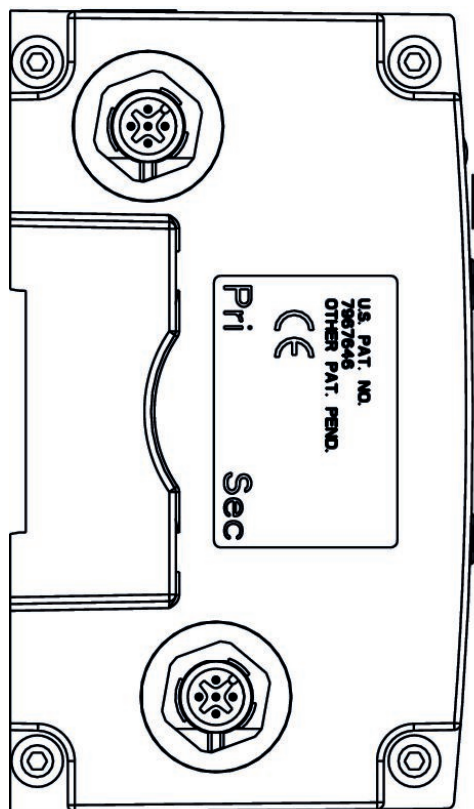


Bus coupler, Series 580

Electrical connection 2, thread size: M12x1
Electrical connection 2, number of poles: 5-pin



Fieldbus protocol	Number of poles	Operational voltage electronics	Operational voltage electronics	Part No.
DeltaV	5-pin	24 V DC	-10 % / +10 %	P580AECH2010A00

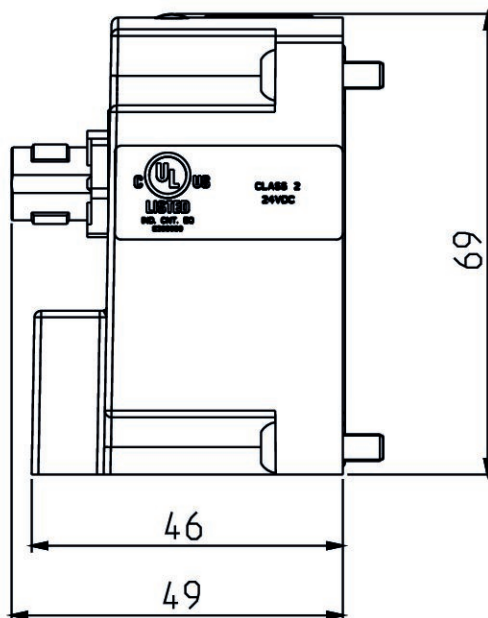
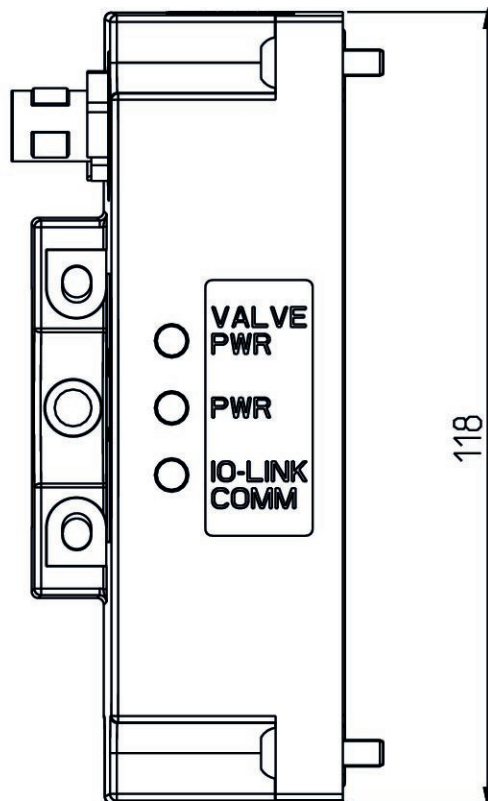
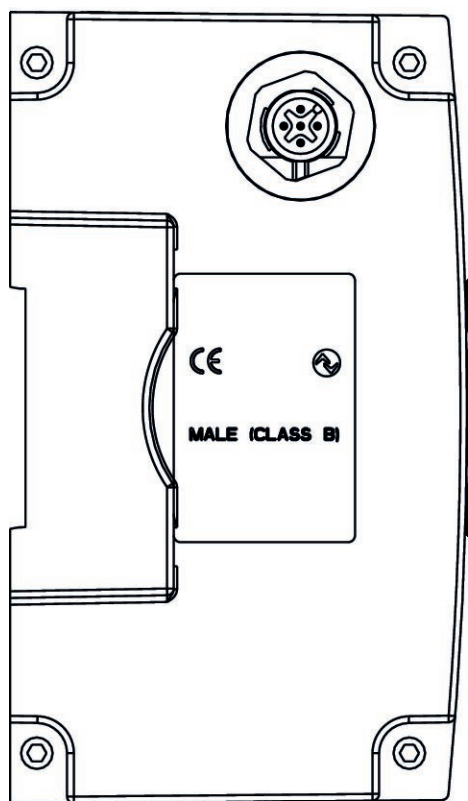


Series 580



Fieldbus protocol	Operational voltage electronics	Operational voltage electronics	Part No.
IO-Link	24 V DC	-10 % / +10 %	P580AELM1010A00
IO-Link	24 V DC	-10 % / +10 %	P580AELM2010A00

Dimensions



Bus coupler, Series G3

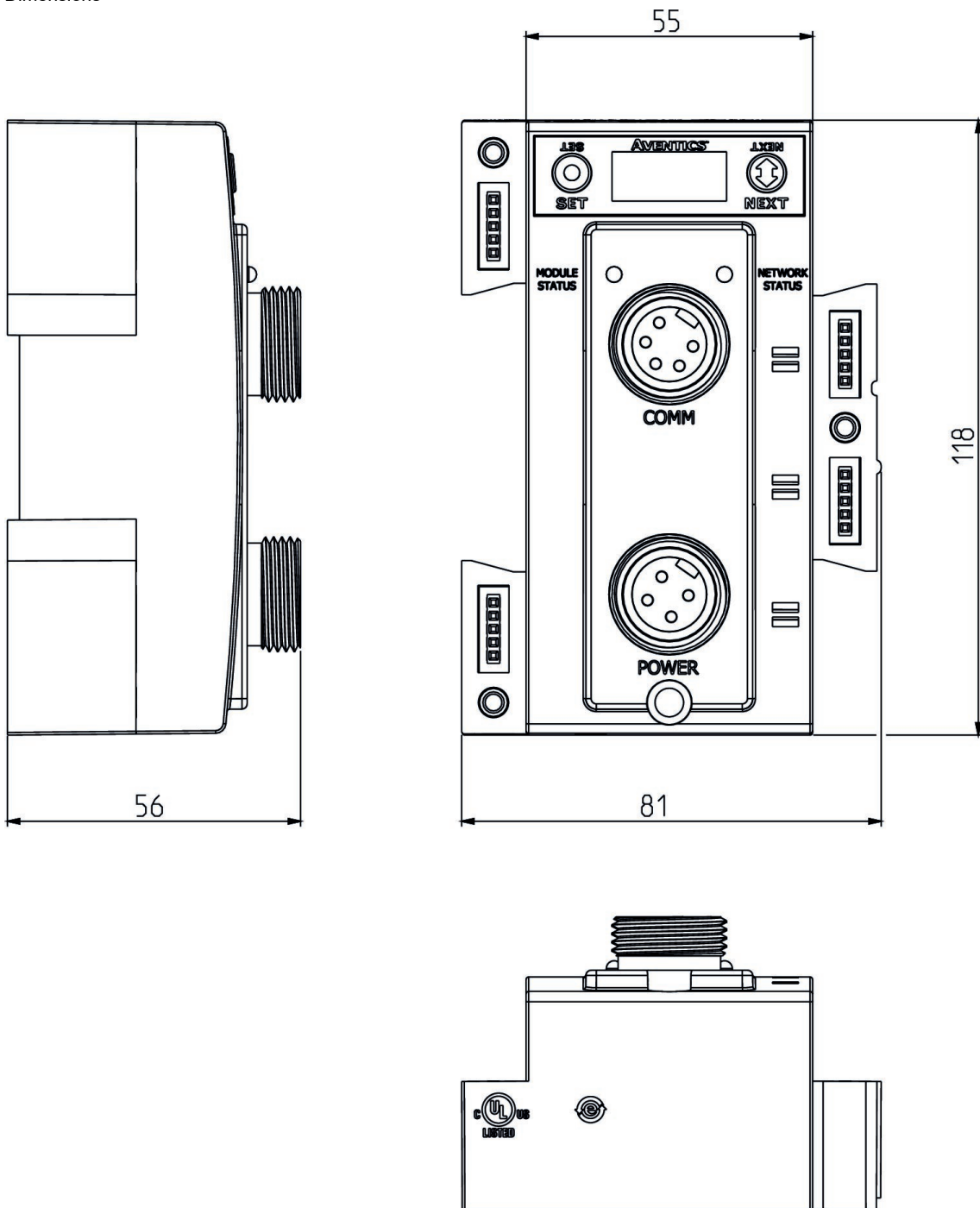
Electrical connection 2, thread size: 7/8"

Electrical connection 2, number of poles: 4-pin



Fieldbus protocol	Number of poles	Operational voltage electronics	Operational voltage electronics	Part No.
DeviceNet	4-pin	24 V DC	-10 % / +10 %	240-180

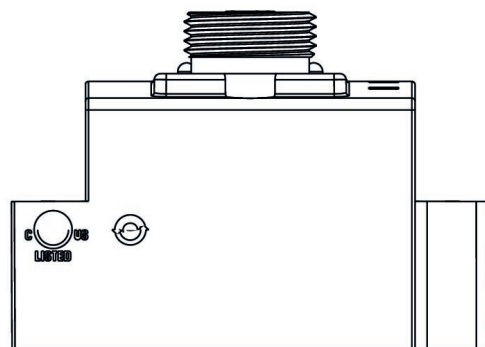
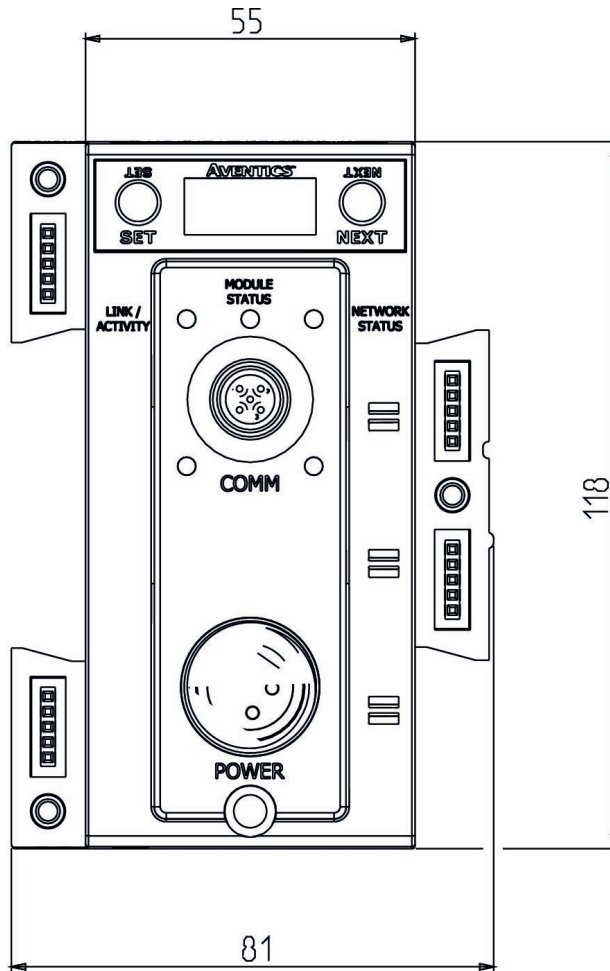
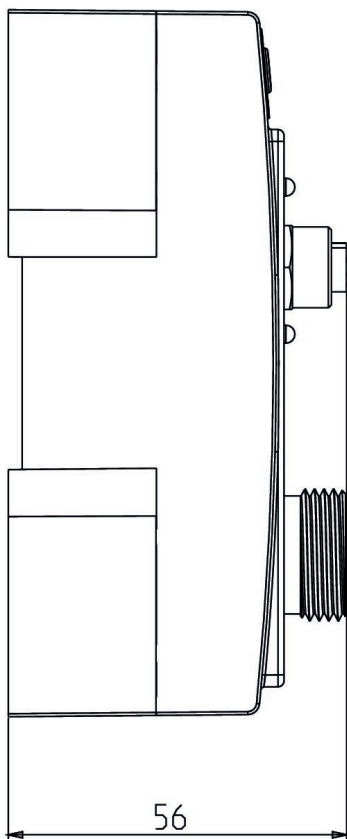
Dimensions



Series G3



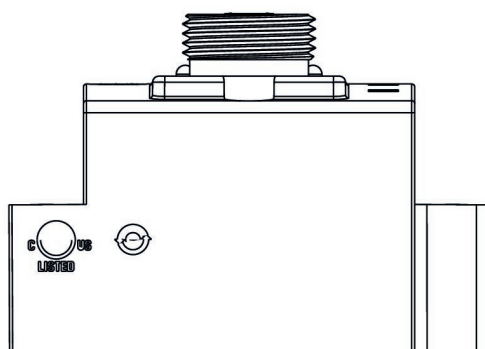
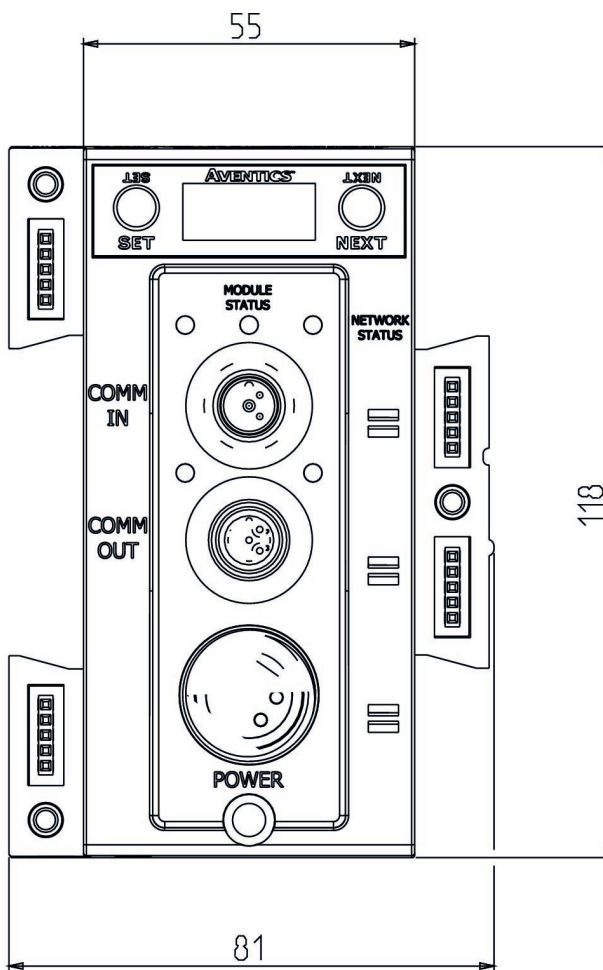
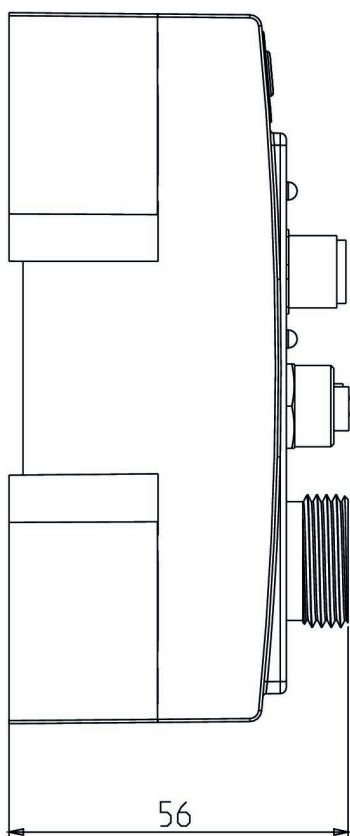
Fieldbus protocol	Number of poles	Operational voltage electronics	Operational voltage electronics	Part No.
MODBUS TCP	4-pin	24 V DC	-10 % / +10 %	240-292



Series G3



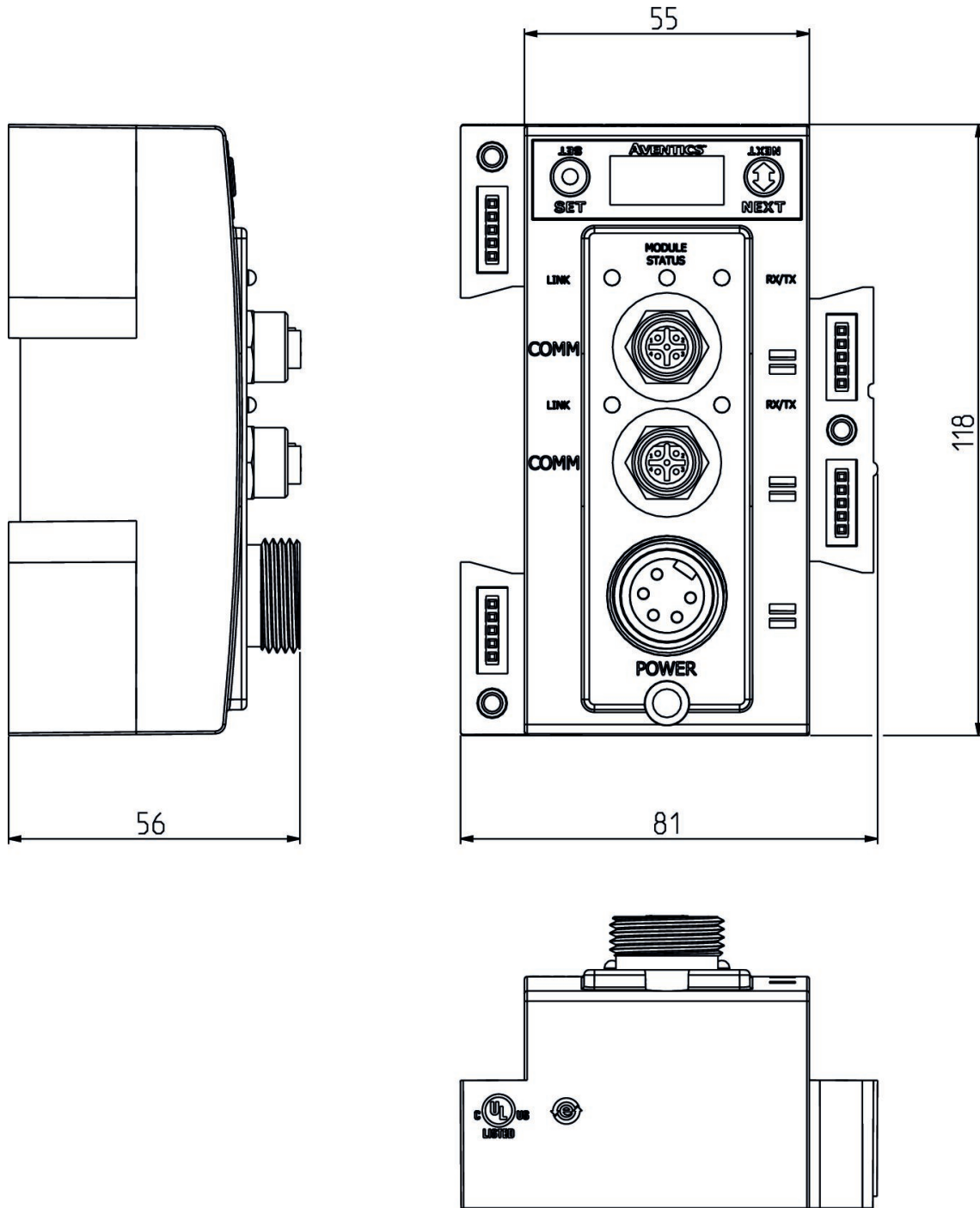
Fieldbus protocol	Number of poles	Operational voltage electronics	Operational voltage electronics	Part No.
PROFIBUS DP	5-pin	24 V DC	-10 % / +10 %	240-239



Series G3



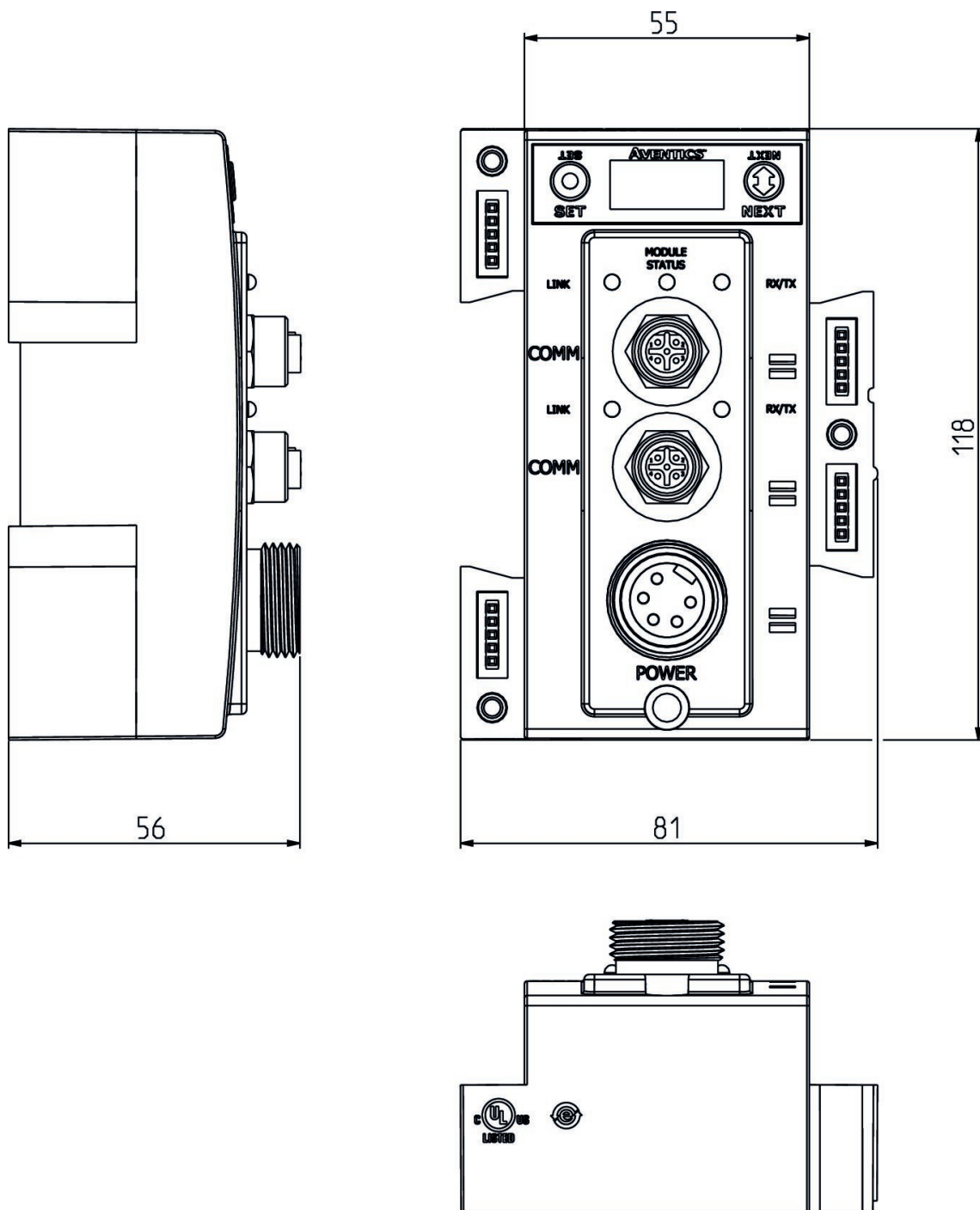
Fieldbus protocol	Number of poles	Operational voltage electronics	Operational voltage electronics	Part No.
Profinet	5-pin	24 V DC	-10 % / +10 %	240-240



Series G3



Fieldbus protocol	Number of poles	Operational voltage electronics	Operational voltage electronics	Part No.
POWERLINK	5-pin	24 V DC	-10 % / +10 %	240-309

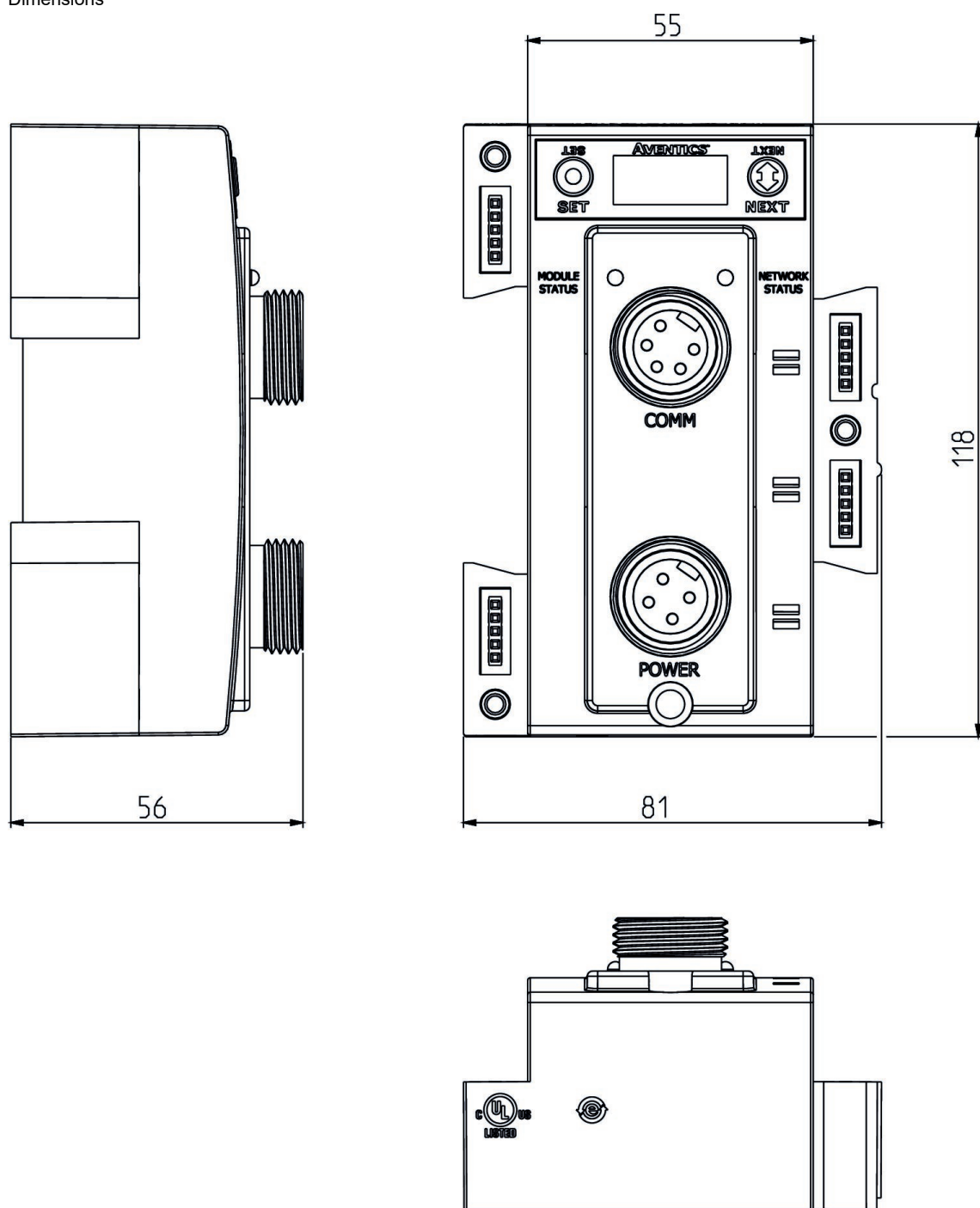


Series G3



Fieldbus protocol	Number of poles	Operational voltage electronics	Operational voltage electronics	Part No.
CANopen	4-pin	24 V DC	-10 % / +10 %	240-291

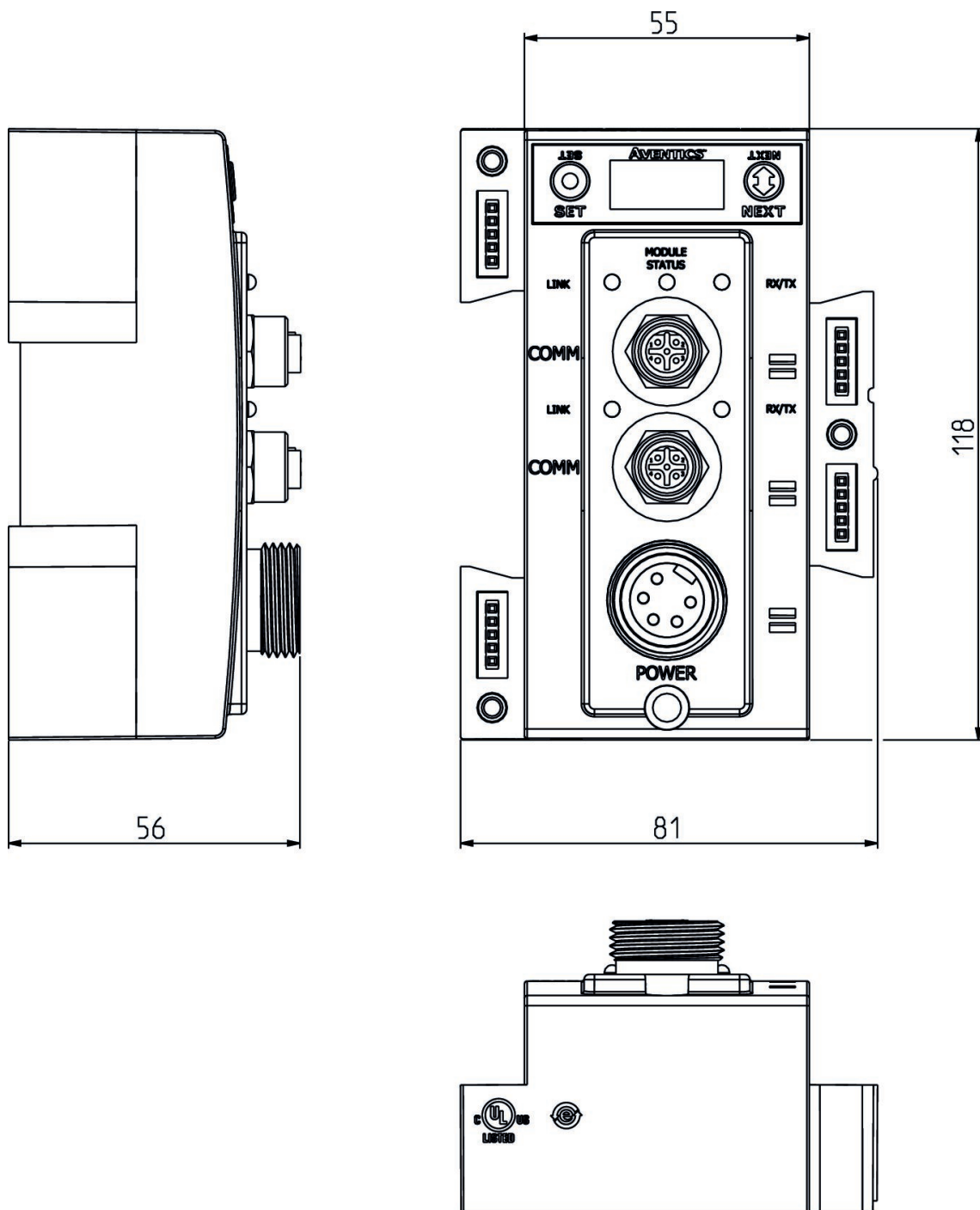
Dimensions



Series G3



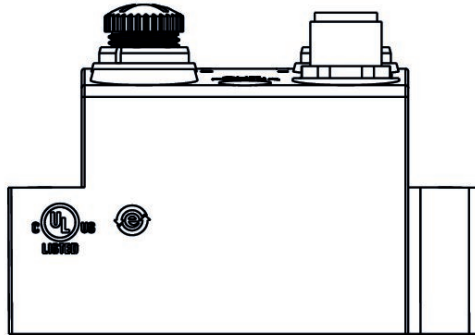
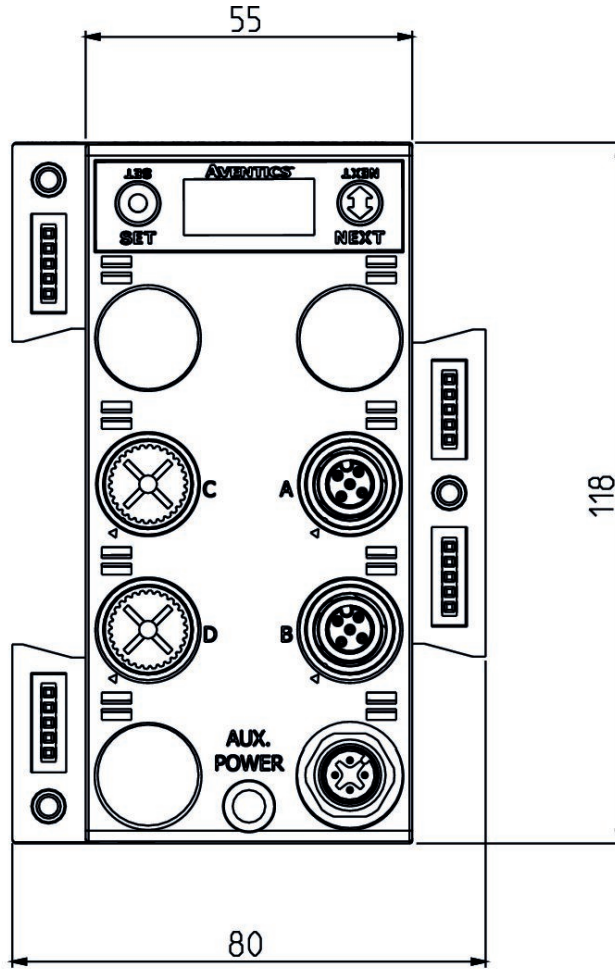
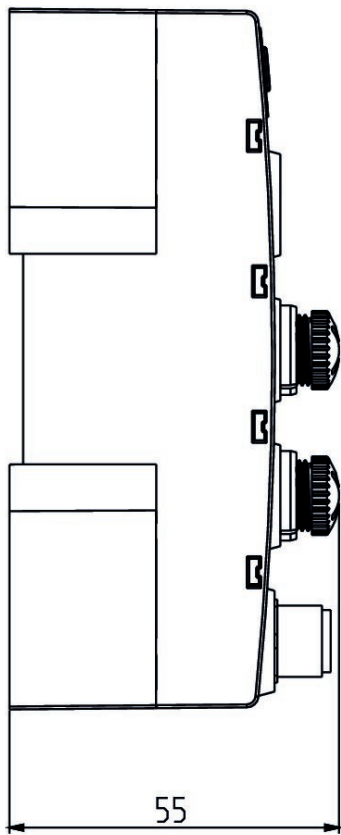
Fieldbus protocol	Number of poles	Operational voltage electronics	Operational voltage electronics	Part No.
EtherNet/IP	4-pin	24 V DC	-10 % / +10 %	240-325



Series G3



Fieldbus protocol	Number of poles	Operational voltage electronics	Operational voltage electronics	Part No.
EtherCAT	4-pin	24 V DC	-10 % / +10 %	240-310



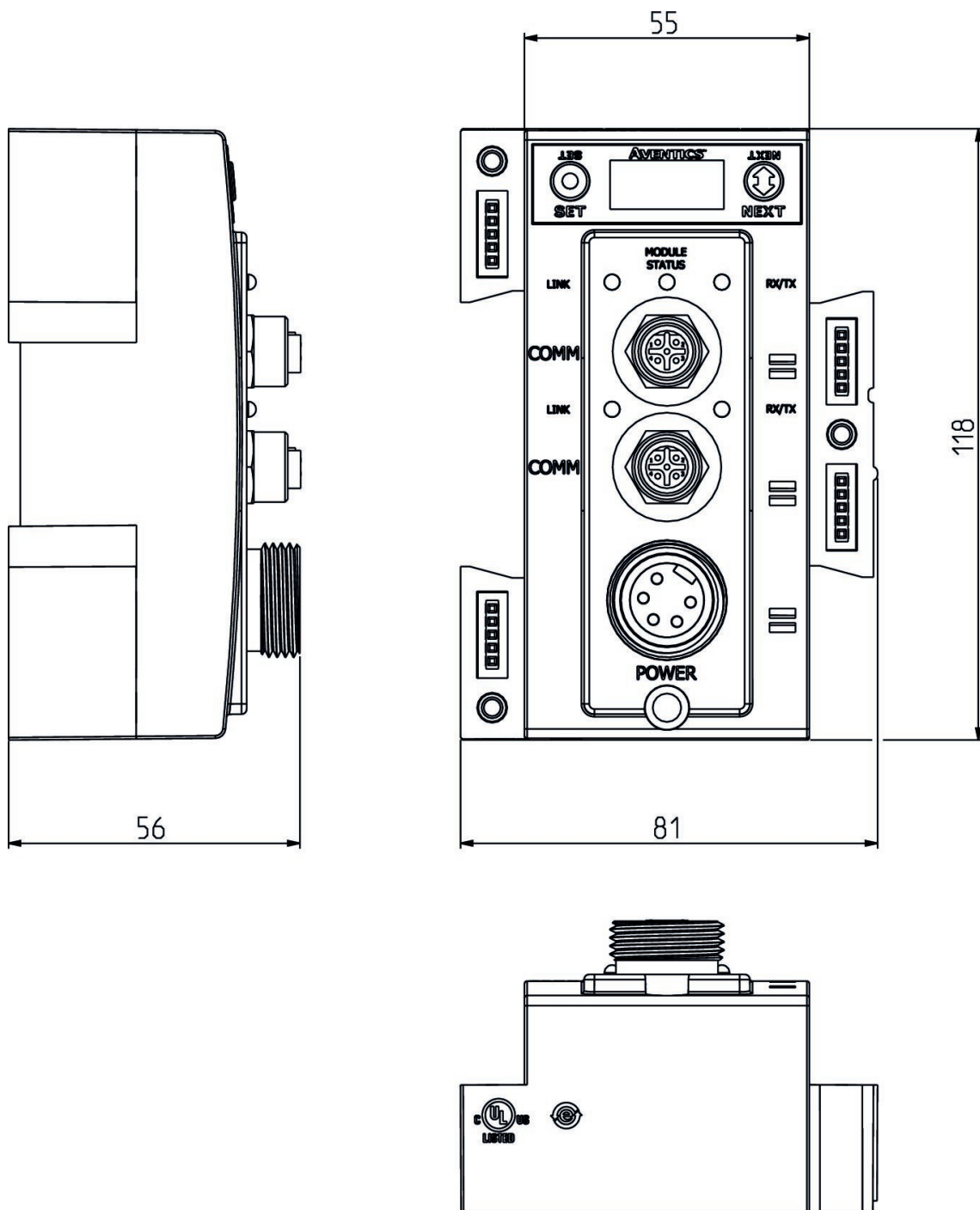
Series G3

Electrical connection 2, thread size: 7/8"

Electrical connection 2, number of poles: 4-pin



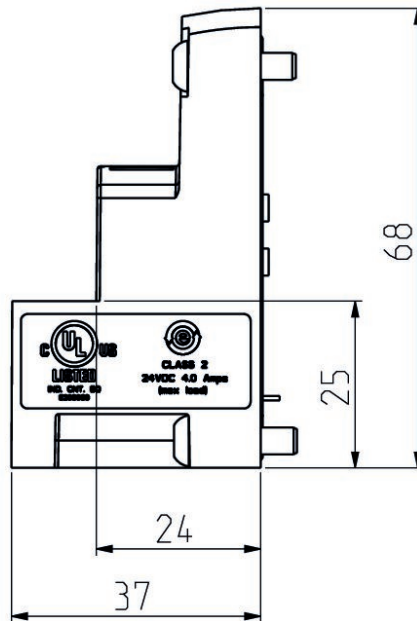
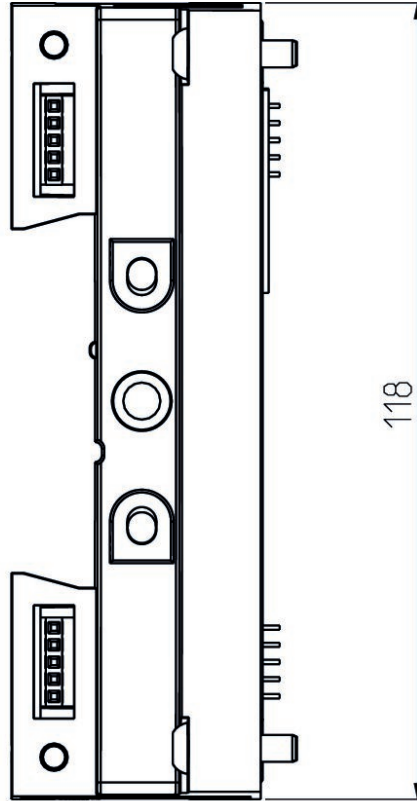
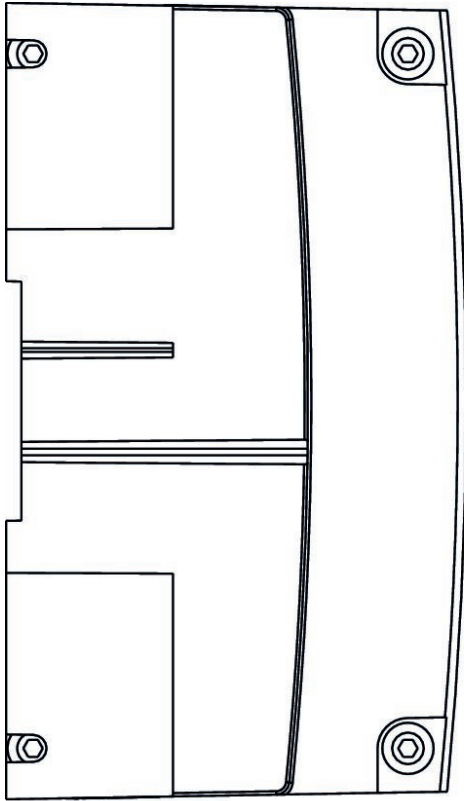
Fieldbus protocol	Number of poles	Operational voltage electronics	Operational voltage electronics	Part No.
EtherCAT	4-pin	24 V DC	-10 % / +10 %	240-362



Distributor



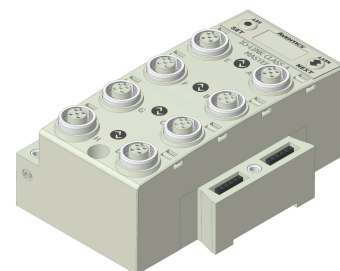
Operational voltage electronics	Operational voltage electronics	Part No.
24 V DC	-10 % / +10 %	P599AE508827001



IO-Link Master, class A (8 ports), Series G3

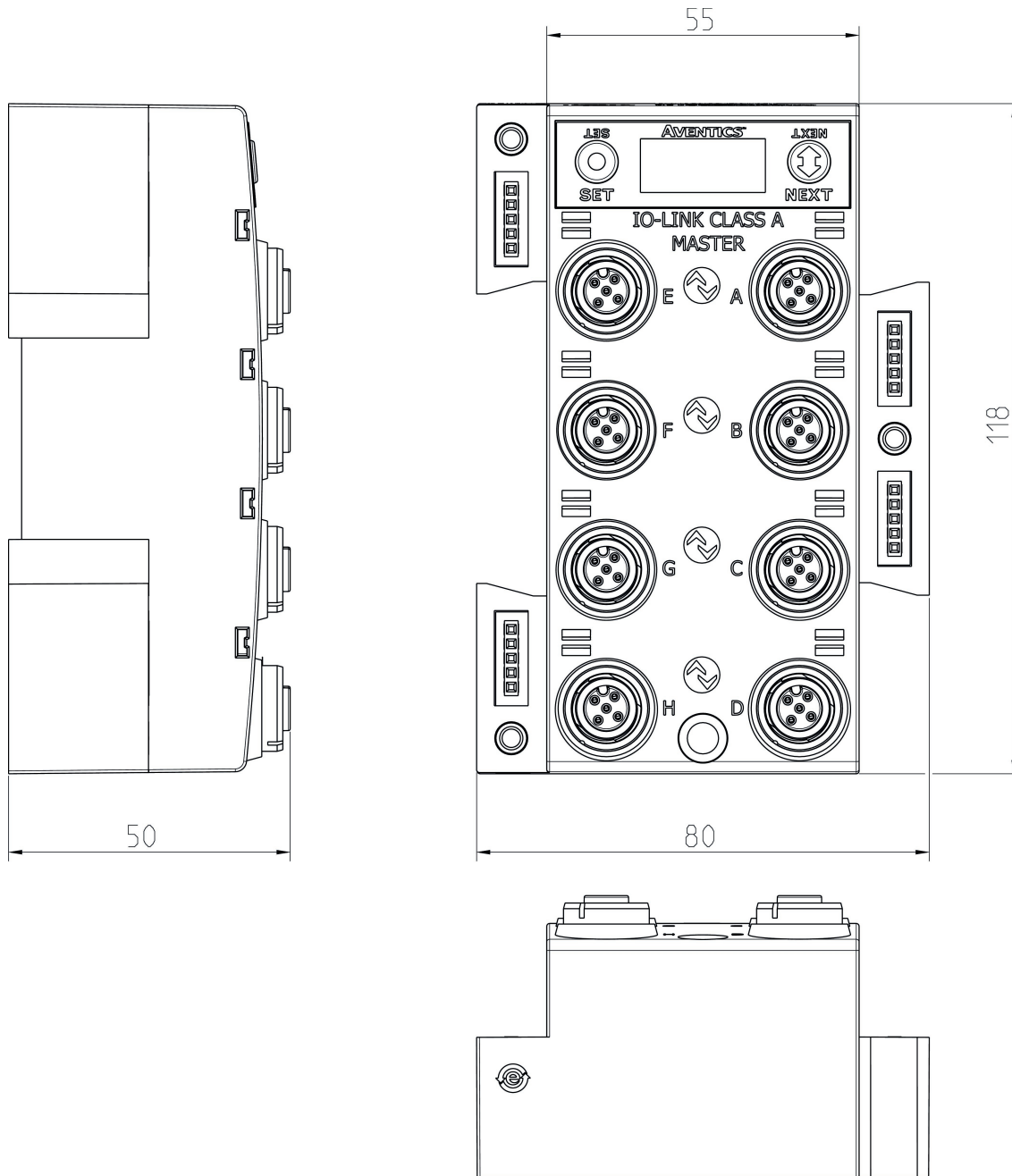
Electrical connection 2, thread size: M12

Electrical connection 2, number of poles: 5-pin



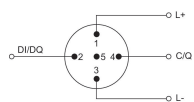
Number of poles	Number of inputs	Number of outputs	I/O module version	E/A capable	Number of I/O connections	Operational voltage electronics	Operational voltage electronics	Part No.
5-pin	8	8	IO-Link Master, class A (8 ports)	connection without I/O	8 inputs / 8 outputs	24 V DC	-10 % / +10 %	240-381

Dimensions

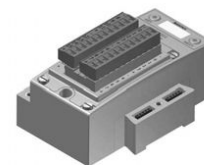


240-381

Pin assignments

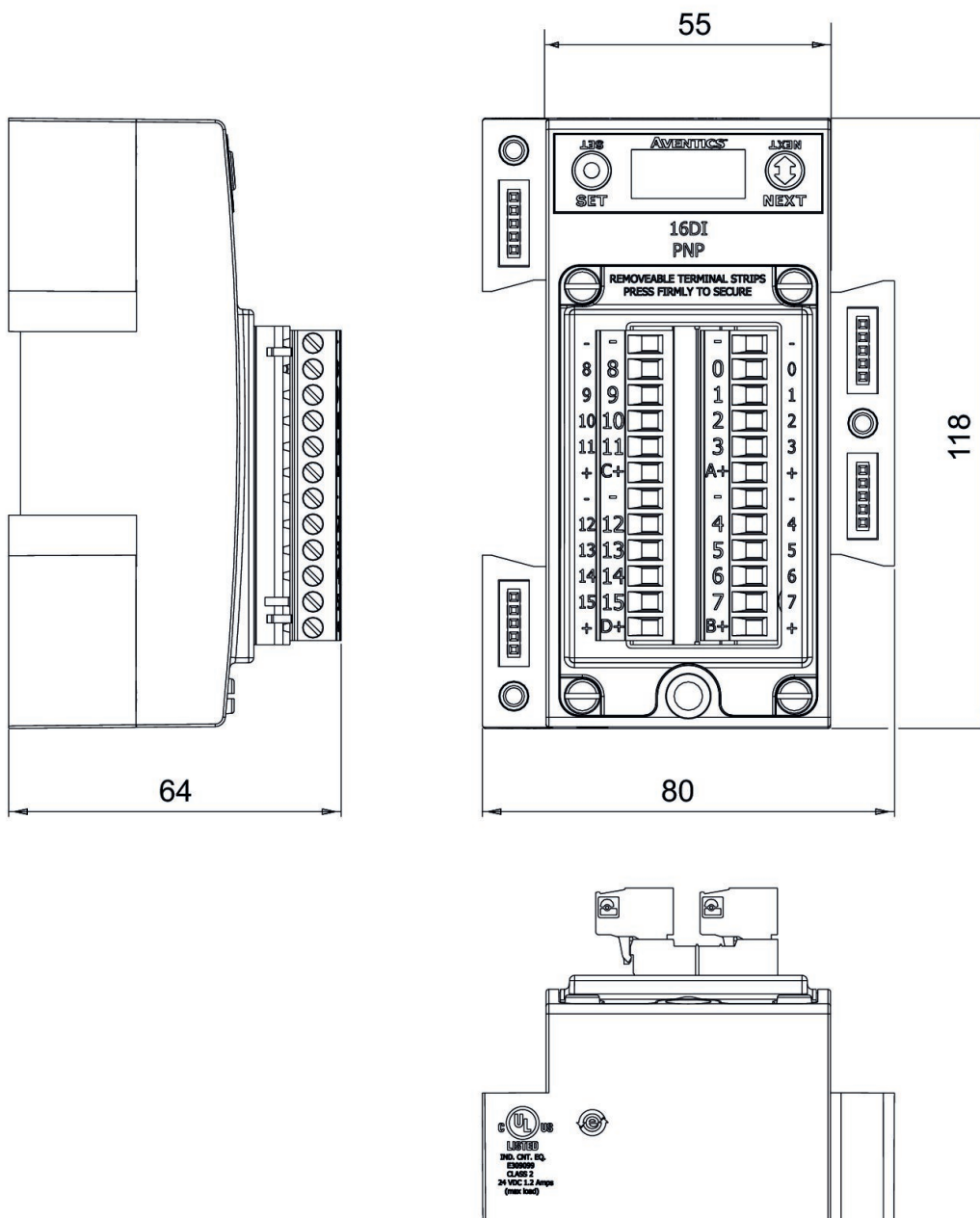


I/O modules, Series G3



Number of inputs	Number of outputs	I/O module version	Operational voltage electronics	Operational voltage electronics	Part No.
16		digital inputs PNP	24 V DC	-10 % / +10 %	240-203
16		digital inputs NPN	24 V DC	-10 % / +10 %	240-204
8		digital inputs PNP	24 V DC	-10 % / +10 %	240-316
	16	digital inputs NPN	24 V DC	-10 % / +10 %	240-330

Dimensions

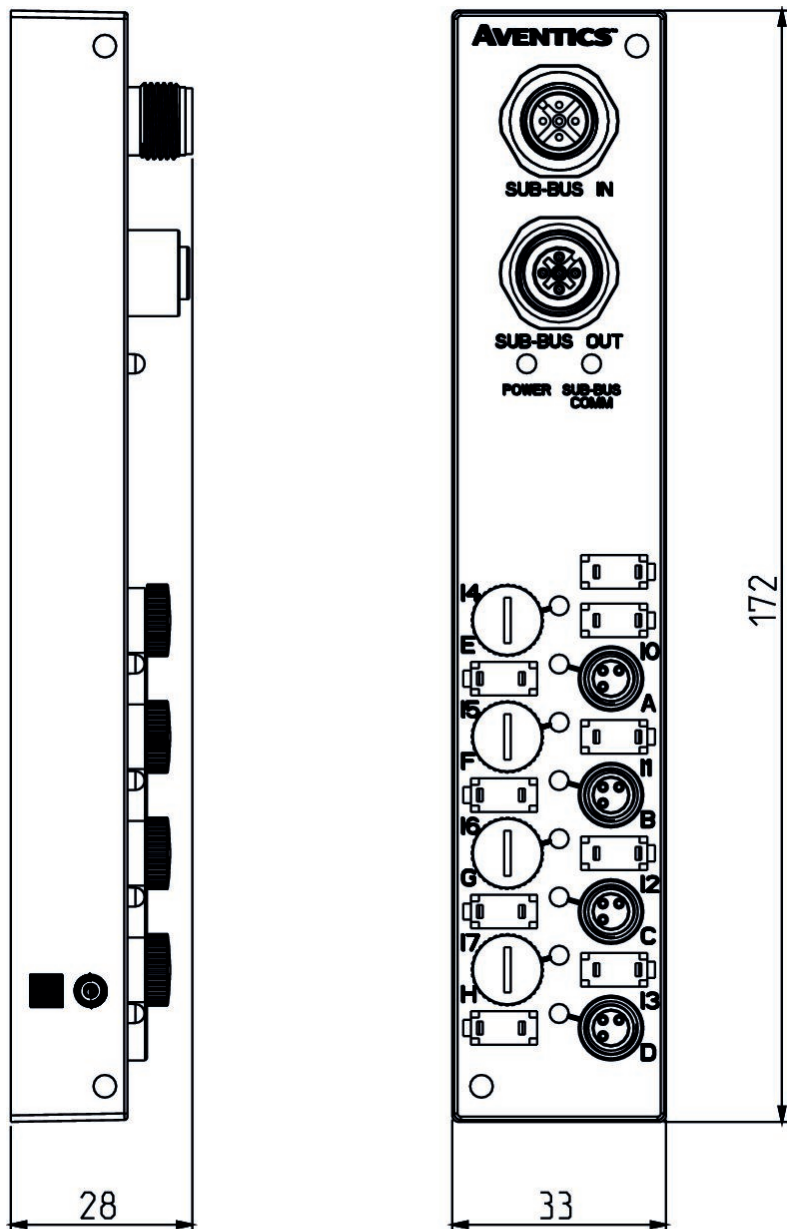


I/O modules, Series G3

Electrical connection 2, thread size: M8x1

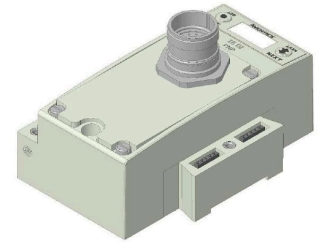


Number of inputs	I/O module version	Operational voltage electronics	Operational voltage electronics	Part No.
8	digital inputs PNP	24 V DC	-10 % / +10 %	240-379



I/O modules, Series G3

Electrical connection 2, thread size: M23x1
Electrical connection 2, number of poles: 19-pin



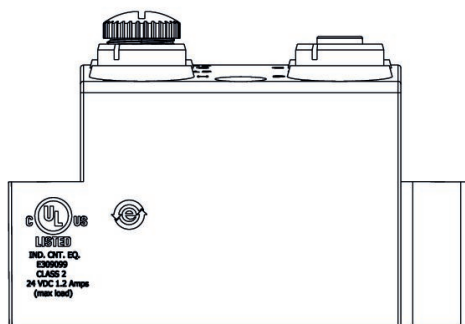
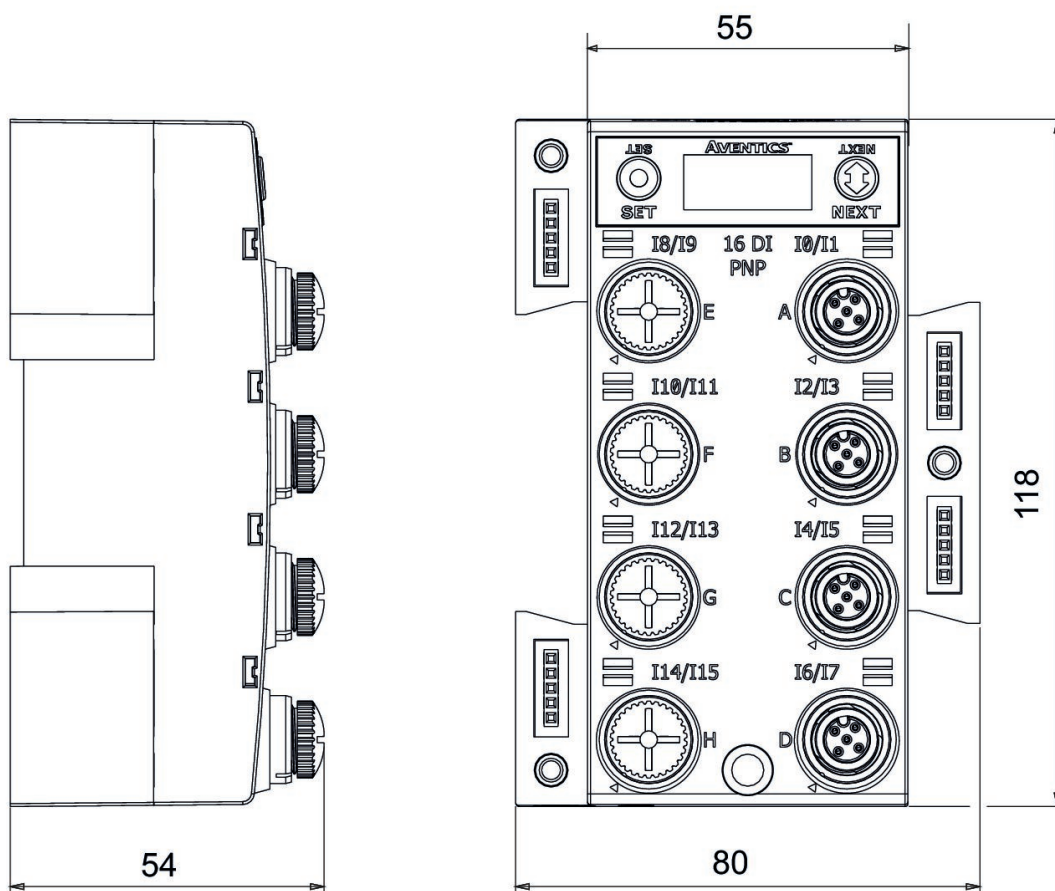
Number of poles	Number of inputs	I/O module version	Part No.
19-pin	16	digital inputs PNP	240-323

I/O modules, Series G3

Electrical connection 2, thread size: M12x1



Type	Number of inputs	Number of outputs	I/O module version	Operational voltage electronics	Operational voltage electronics	Part No.
16DI8M12, digital inputs PNP	16		digital inputs PNP	24 V DC	-10 % / +10 %	240-205
8DI8M8, digital inputs PNP	8		digital inputs PNP	24 V DC	-10 % / +10 %	240-206
16DO8M12, digital outputs PNP		16	Digital outputs	24 V DC	-10 % / +10 %	240-207
8DO8M12, digital outputs PNP		8	digital outputs PNP	24 V DC	-10 % / +10 %	240-208
16DI8M12, digital inputs NPN	16		digital inputs NPN	24 V DC	-10 % / +10 %	240-209
8DI8M12, digital inputs NPN	8		digital inputs NPN	24 V DC	-10 % / +10 %	240-210
8DO8M12, digital inputs/outputs PNP	8	8	digital inputs/outputs PNP	24 V DC	-10 % / +10 %	240-211
8DO8M12		8	Digital outputs	24 V DC	-10 % / +10 %	240-300

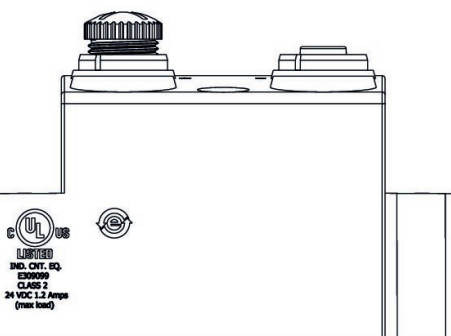
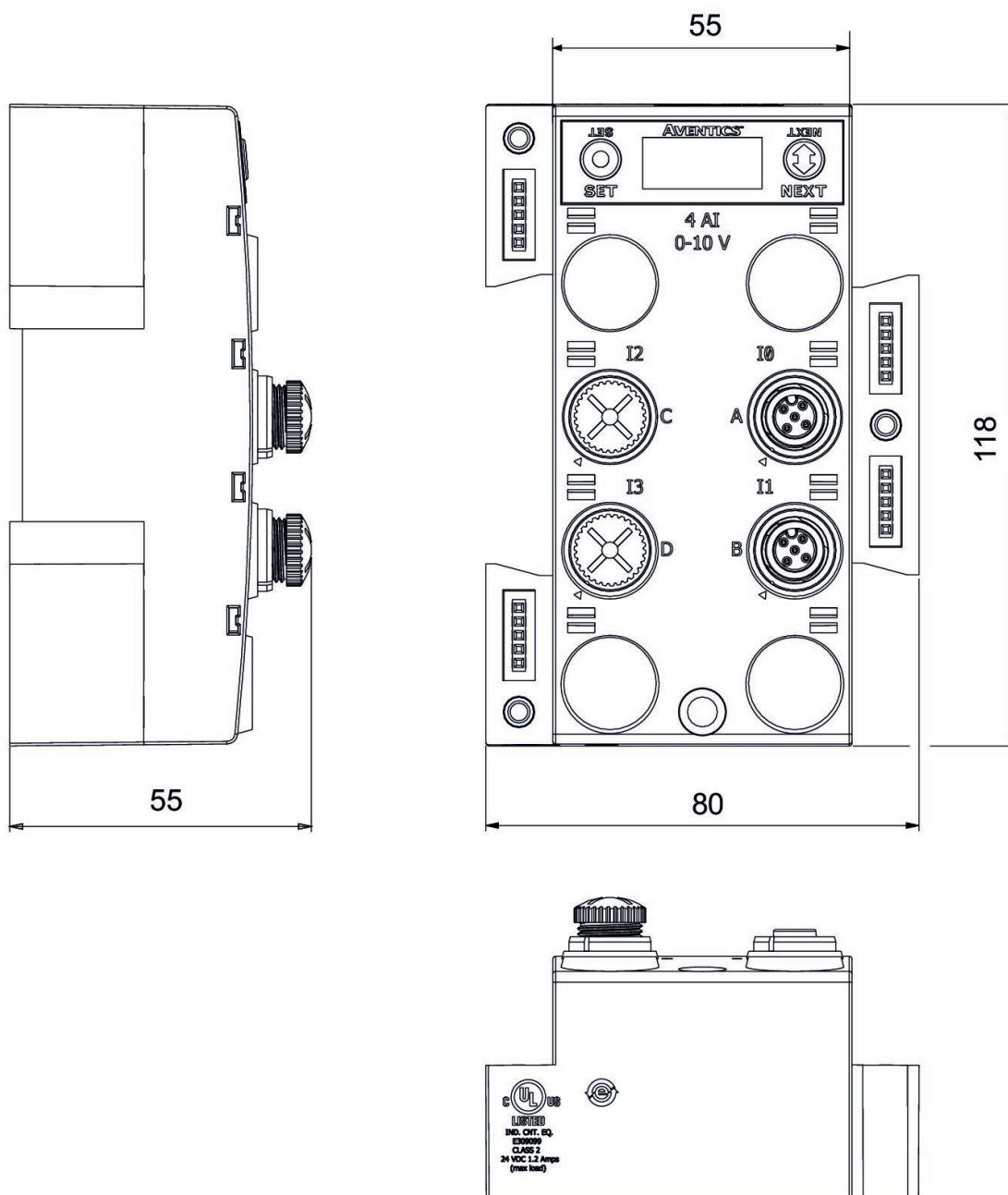


I/O modules, Series G3

Electrical connection 2, thread size: M12x1



Type	Number of inputs	Number of outputs	I/O module version	Operational voltage electronics	Operational voltage electronics	Part No.
4AI4M12-E	4		Analog inputs	24 V DC	-10 % / +10 %	240-212
2AIAO8M12	2	2	analog inputs/outputs	24 V DC	-10 % / +10 %	240-213
4AI4M12-E	4		Analog inputs	24 V DC	-10 % / +10 %	240-214
2AIAO4M12	2	2	analog inputs/outputs	24 V DC	-10 % / +10 %	240-215
2AIAO8M12	2	2	analog inputs/outputs	24 V DC	-10 % / +10 %	240-307
	4	4	analog inputs/outputs	24 V DC	-10 % / +10 %	240-363

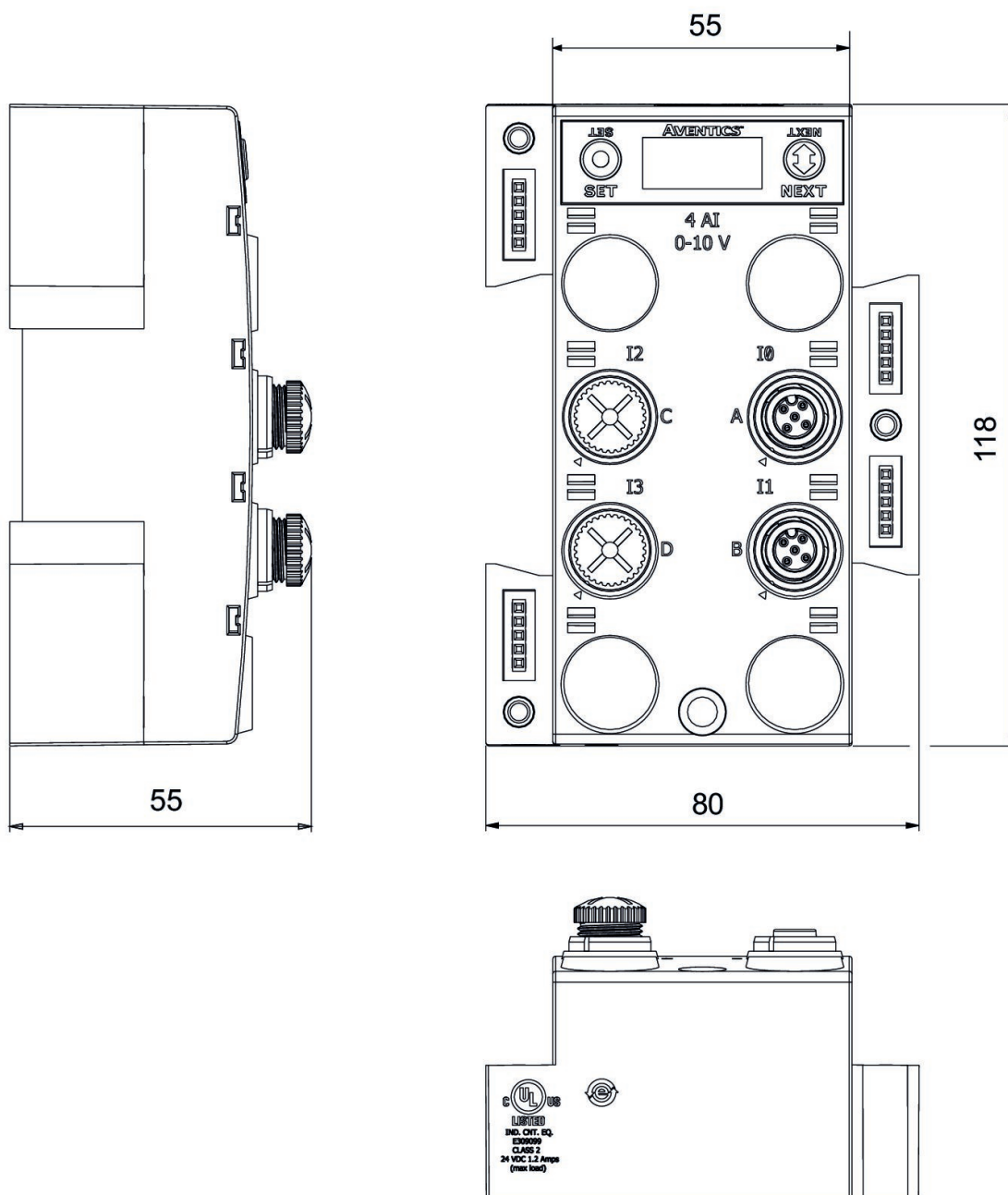


I/O modules, Series G3

Electrical connection 2, thread size: M12x1



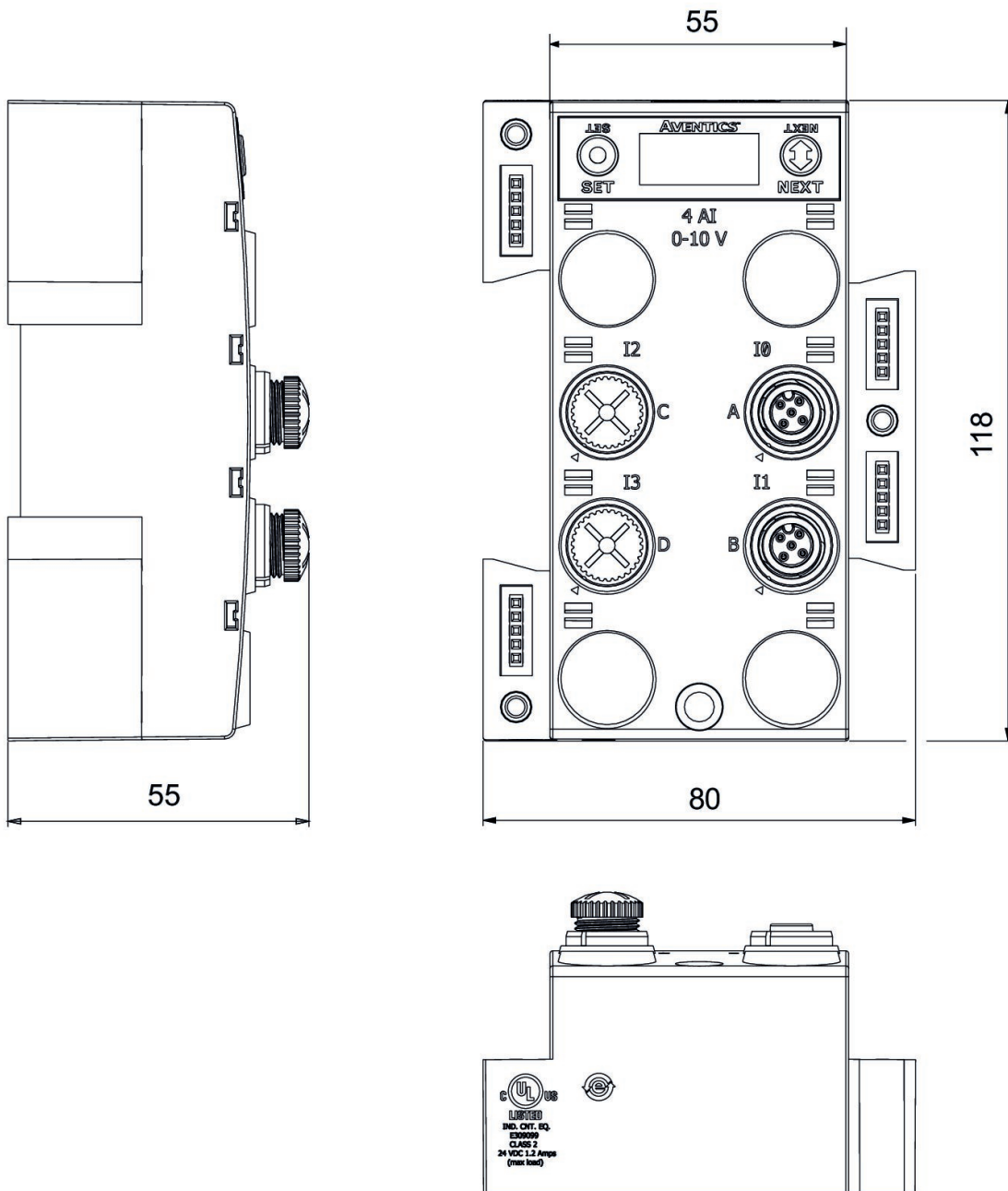
I/O module version	Operational voltage electronics	Operational voltage electronics	Part No.
Analog inputs	24 V DC	-10 % / +10 %	240-311



I/O modules, Series G3



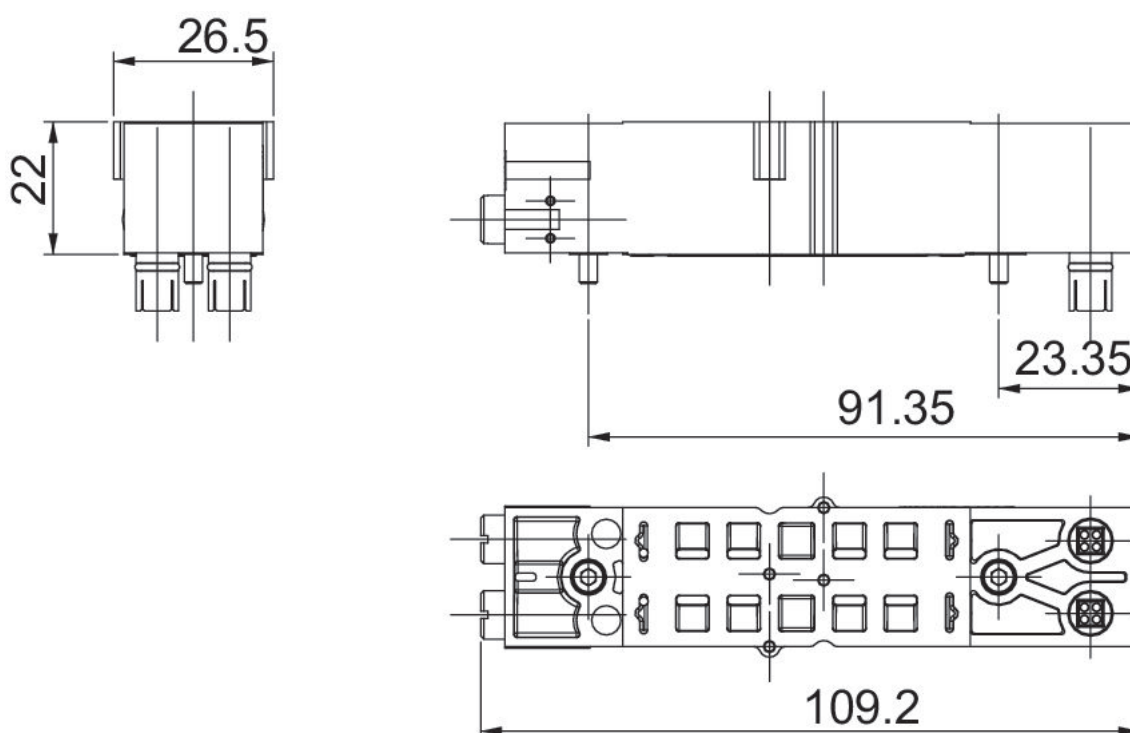
Number of inputs	E/A capable	Number of I/O connections	Part No.
8	connection with I/O	8 inputs	240-326



Shut-off sandwich plate accessories



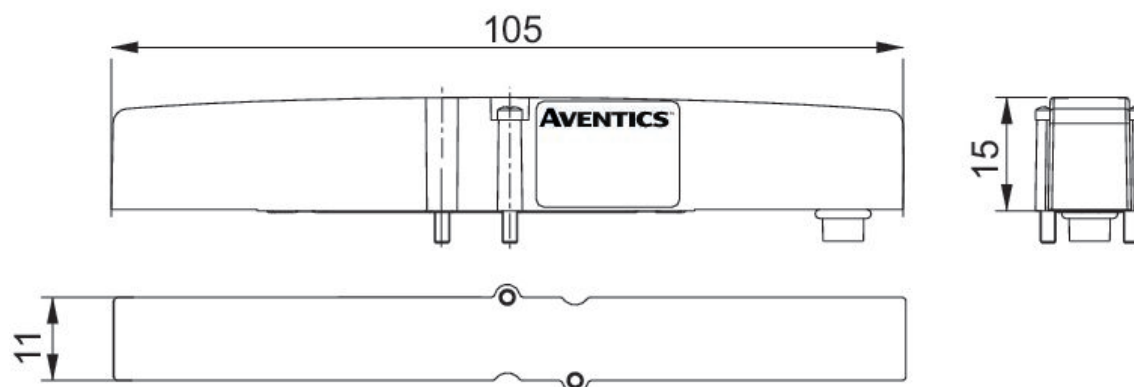
Scope of delivery	Max. number of valve positions	Part No.
Shut-off sandwich plate, sealing kit, mounting screws	2	R501AY428501001



Blanking plate, series 501



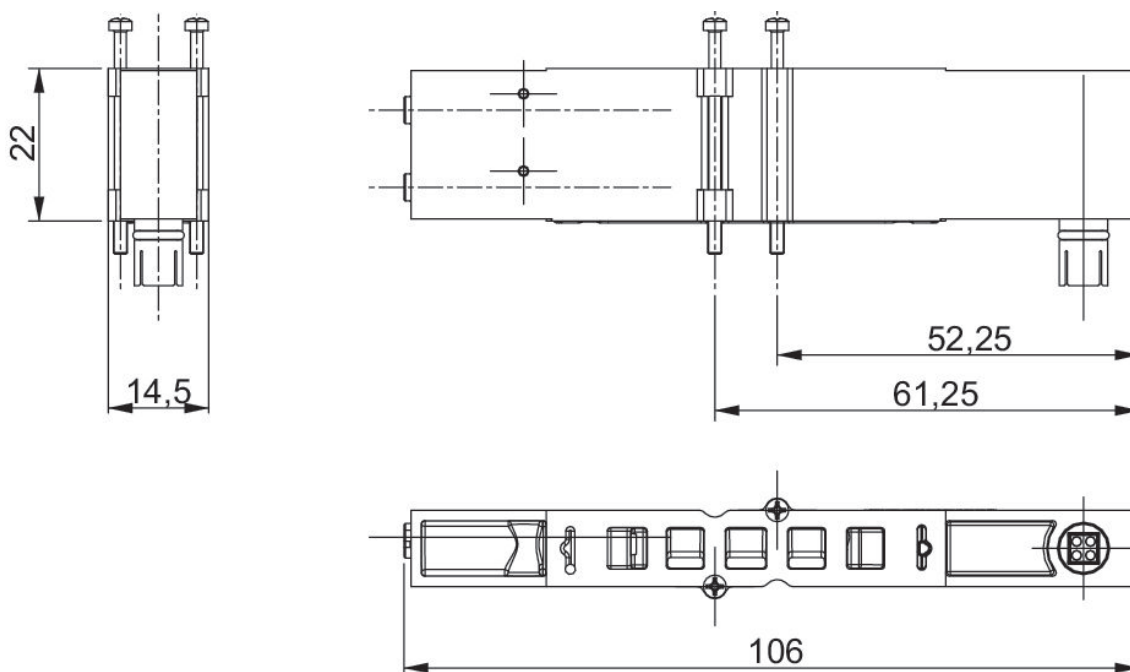
Scope of delivery	Max. number of valve positions	Part No.
Blank plate, sealing kit, mounting screws	1	P501AB429685001



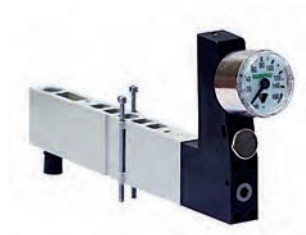
Throttle sandwich plate accessories, series 501



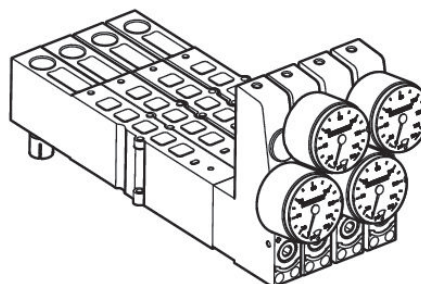
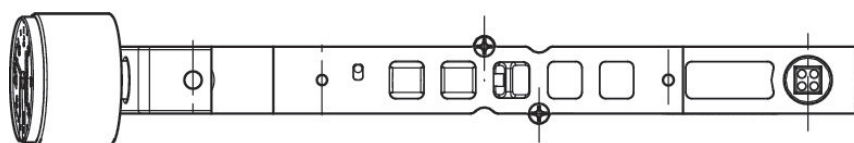
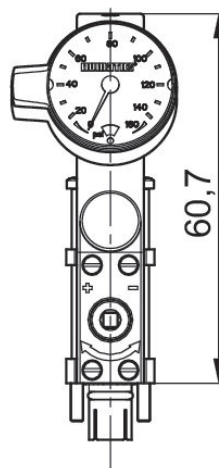
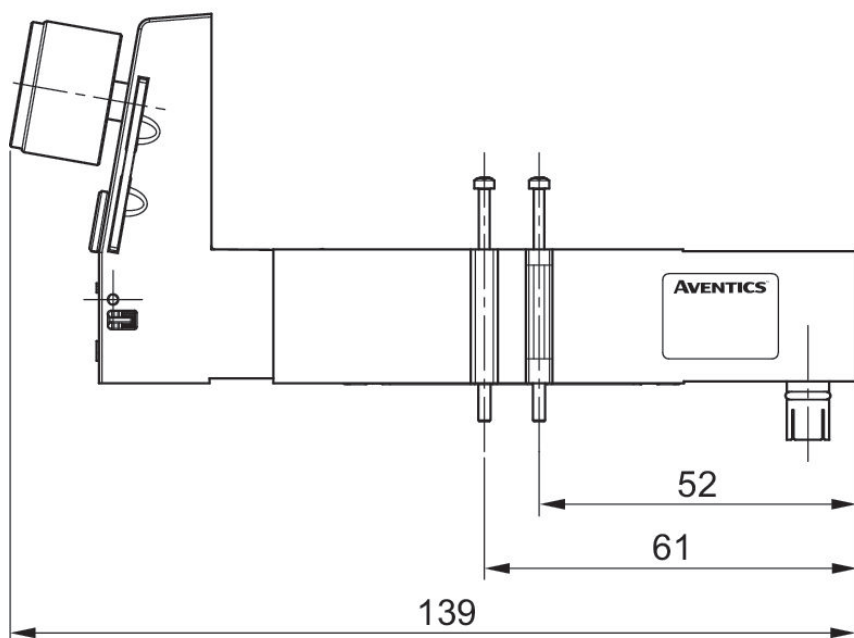
Scope of delivery	Max. number of valve positions	Part No.
Throttle sandwich plate, sealing kit, mounting screws	1	R501AS428500001



Sandwich plate pressure regulator, series 501



Scope of delivery	Part No.
Sandwich plate, sealing kit, mounting screws, Pressure gauge	R501ARS52JA0010

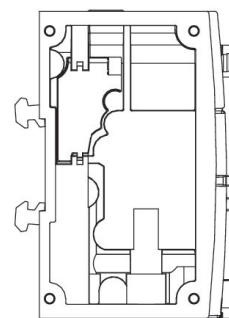
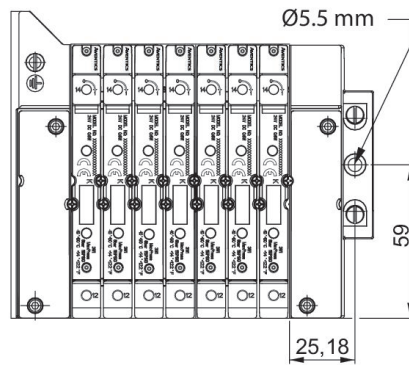
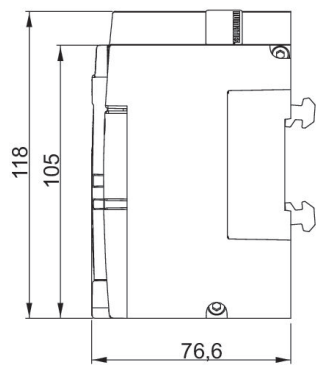
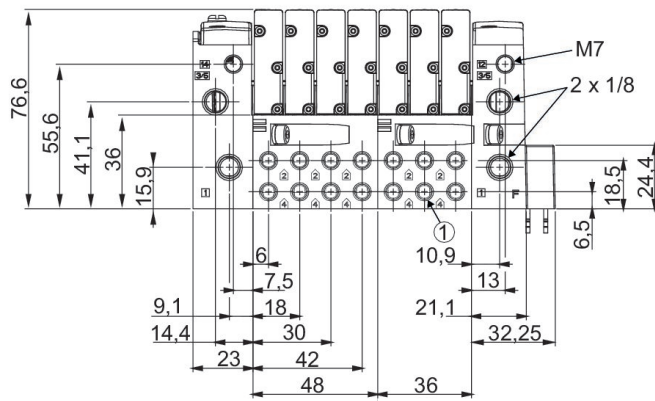


End plate, series 501

Compressed air connection input: 1/8 NPT
Compressed air connection, exhaust: 1/8 NPT



Scope of delivery	Part No.
Left and right end plate, sealing kit, mounting screws	G501AK429465009

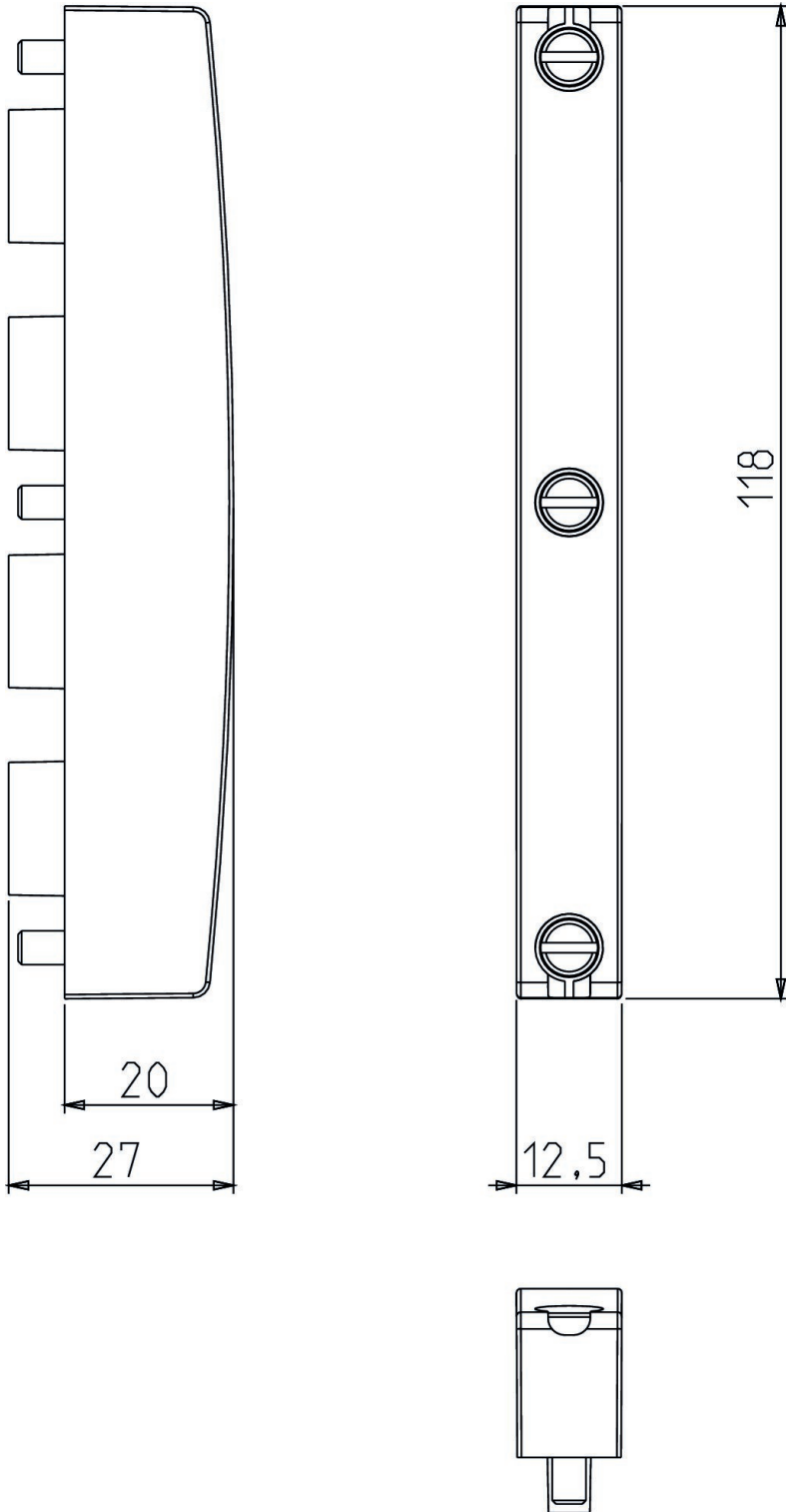


Connection piece

For series: G3 501 502 503



Part No.
240-179



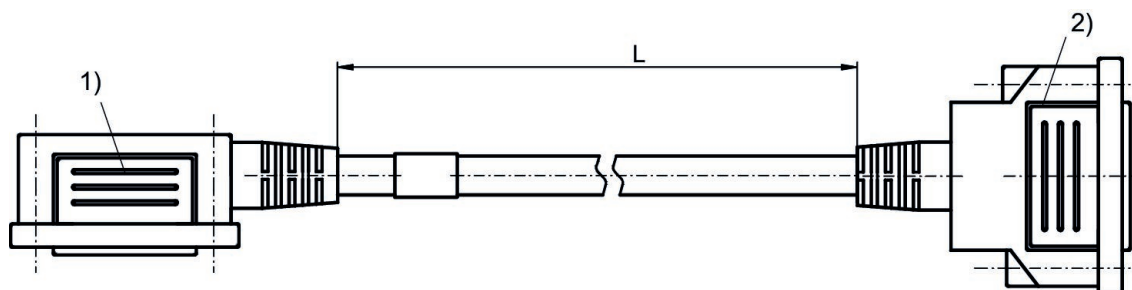
Multipole plug, series CON-MP

Electrical connection 1, type: Plug
 Electrical connection 1, thread size: D-Sub
 Electrical connection 1, number of poles: 25-pin



Operational voltage	Current [A]	Shielding	Electrical connection 1, type	Electrical connection 1, thread size	Electrical connection 2, type	Electrical connection 2, thread size	Cable length [m]	Cable-Ø [mm]	Wire cross-section [mm²]	Min. ambient temperature [°C]	Max. ambient temperature [°C]	Part No.
24 V DC	3	unshielded	Plug	D-Sub	Socket	D-Sub	0.5	8.5	0.2	-20	80	R412020635
24 V DC	3	unshielded	Plug	D-Sub	Socket	D-Sub	1	8.5	0.2	-20	80	R412020636
24 V DC	3	unshielded	Plug	D-Sub	Socket	D-Sub	2	8.5	0.2	-20	80	R412020637
24 V DC	3	unshielded	Plug	D-Sub	Socket	D-Sub	5	8.5	0.2	-20	80	R412020638
24 V DC	3	unshielded	Plug	D-Sub	Socket	D-Sub	10	8.5	0.2	-20	80	R412020639

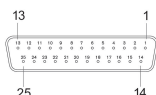
Dimensions



1) Port 1 (Plug)
 2) Port 2 (Socket)

R412020635, R412020636, R412020637, R412020638, R412020639

PIN assignment and cable colors



Socket

Pin	Color
1	white
2	brown
3	green
4	yellow
5	gray
6	pink
7	blue
8	red
9	black
10	violet
11	gray/pink
12	red/blue
13	white/green
14	brown/green
15	white/yellow
16	yellow/brown
17	white/gray
18	gray/brown
19	white/pink
20	pink/brown
21	white/blue
22	brown/blue
23	white/red
24	brown/red
25	white/black

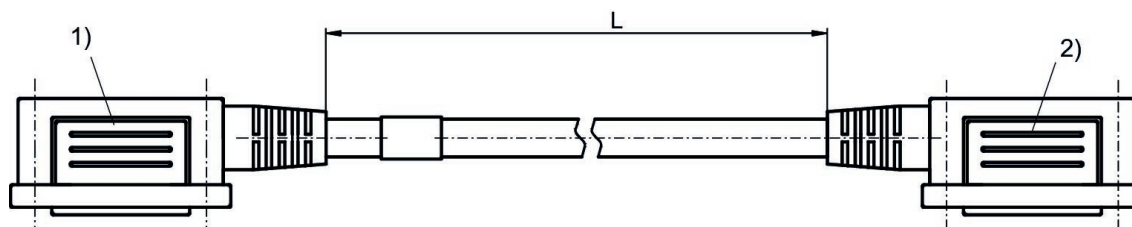
Multipole plug, series CON-MP

Electrical connection 1, type: Plug
 Electrical connection 1, thread size: D-Sub
 Electrical connection 1, number of poles: 25-pin



Operational voltage	Current [A]	Shielding	Electrical connection 1, type	Electrical connection 1, thread size	Electrical connection 2, type	Electrical connection 2, thread size	Cable length [m]	Cable-Ø [mm]	Wire cross-section [mm²]	Min. ambient temperature [°C]	Max. ambient temperature [°C]	Part No.
24 V DC	3	unshielded	Plug	D-Sub	Socket	D-Sub	0.5	8.5	0.2	-20	80	R412020630
24 V DC	3	unshielded	Plug	D-Sub	Socket	D-Sub	1	8.5	0.2	-20	80	R412020631
24 V DC	3	unshielded	Plug	D-Sub	Socket	D-Sub	2	8.5	0.2	-20	80	R412020632
24 V DC	3	unshielded	Plug	D-Sub	Socket	D-Sub	5	8.5	0.2	-20	80	R412020633
24 V DC	3	unshielded	Plug	D-Sub	Socket	D-Sub	10	8.5	0.2	-20	80	R412020634

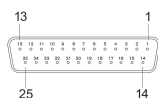
Dimensions



1) Port 1 (Plug)
 2) Port 2 (Socket)

R412020630, R412020631, R412020632, R412020633, R412020634

PIN assignment and cable colors

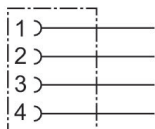


Socket

Pin	Color
1	white
2	brown
3	green
4	yellow
5	gray
6	pink
7	blue
8	red
9	black
10	violet
11	gray/pink
12	red/blue
13	white/green
14	brown/green
15	white/yellow
16	yellow/brown
17	white/gray
18	gray/brown
19	white/pink
20	pink/brown
21	white/blue
22	brown/blue
23	white/red
24	brown/red
25	white/black

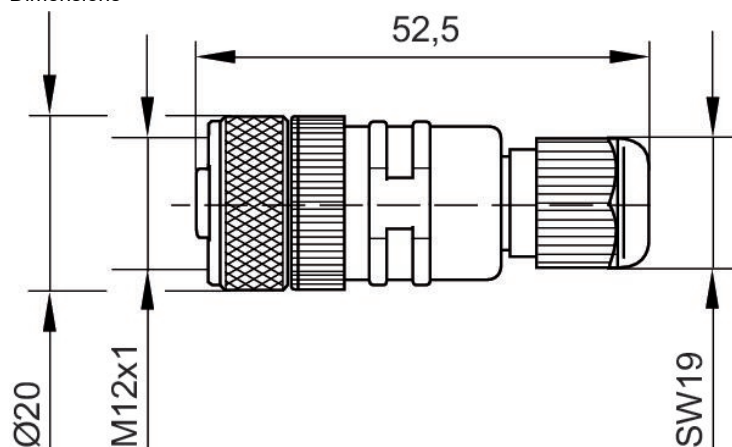
Round plug connector, Series CON-RD

Electrical connection 1, type: Socket
 Electrical connection 1, thread size: M12x1
 Electrical connection 1, number of poles: 4-pin



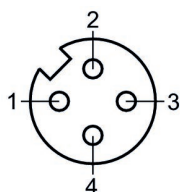
Operational voltage	Contact assignment	Coding	Shielding	Connection type	Max. current [A]	min. suitable cable Ø [mm]	Min. ambient temperature [°C]	Max. ambient temperature [°C]	Part No.
48 V AC/DC	4-pin	A-coded	unshielded	Screws	4	4	-25	90	8941054324

Dimensions



8941054324

Pin assignment, socket

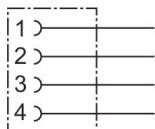


Round plug connector, Series CON-RD

Electrical connection 1, type: Socket

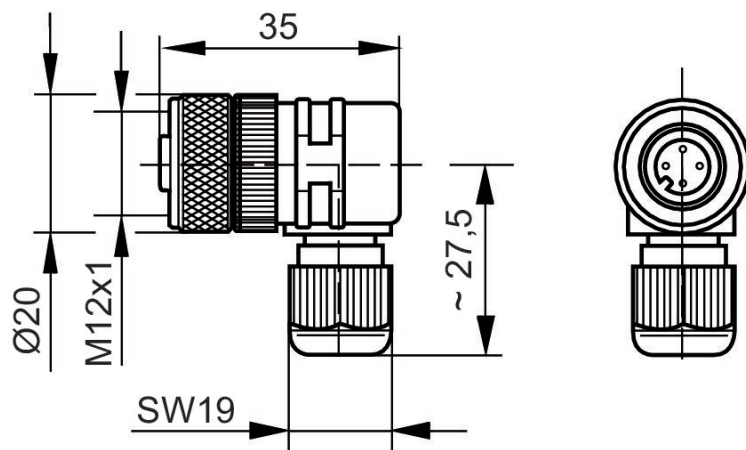
Electrical connection 1, thread size: M12x1

Electrical connection 1, number of poles: 4-pin



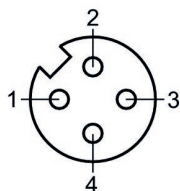
Operational voltage	Contact assignment	Coding	Shielding	Connection type	Max. current [A]	min. suitable cable Ø [mm]	Min. ambient temperature [°C]	Max. ambient temperature [°C]	Part No.
48 V AC/DC	4-pin	A-coded	unshielded	Screws	4	4	-25	90	8941054424

Dimensions



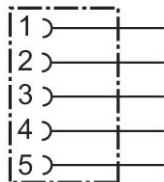
8941054424

Pin assignment, socket



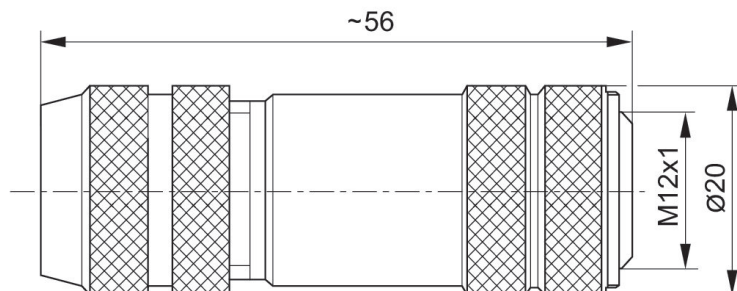
Round plug connector, Series CON-RD

Electrical connection 1, type: Socket
 Electrical connection 1, thread size: M12x1
 Electrical connection 1, number of poles: 5-pin



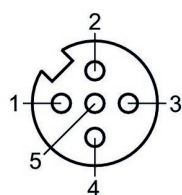
Operational voltage	Contact assignment	Coding	Shielding	Protocol	Connection type	Max. current [A]	min. suitable cable Ø [mm]	Min. ambient temperature [°C]	Max. ambient temperature [°C]	Part No.
48 V AC/DC	5-pin	A-coded	shielded	CANopen, DeviceNet	Screws	4	6	-40	85	8942051602

Dimensions



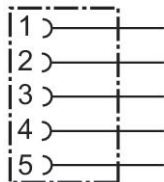
8942051602

Pin assignment, socket



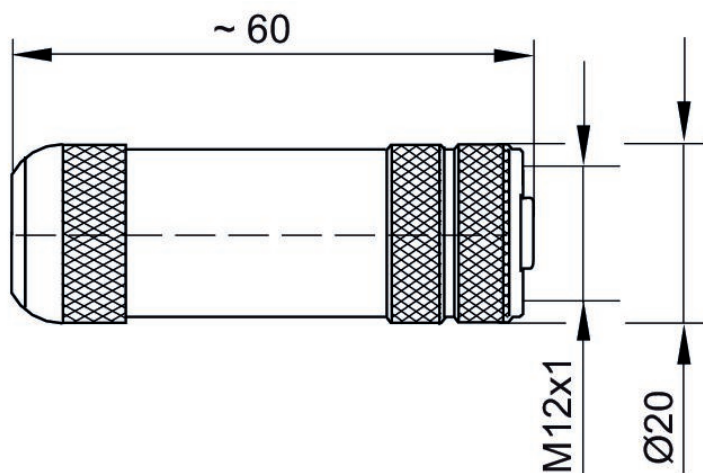
Round plug connector, Series CON-RD

Electrical connection 1, type: Socket
 Electrical connection 1, thread size: M12x1
 Electrical connection 1, number of poles: 5-pin



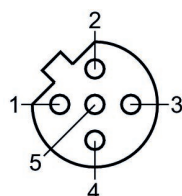
Operational voltage	Contact assignment	Coding	Shielding	Protocol	Connection type	Max. current [A]	min. suitable cable Ø [mm]	max. suitable cable Ø [mm]	Min. ambient temperature [°C]	Max. ambient temperature [°C]	Part No.
48 V AC/DC	5-pin	B-coded	shielded	PROFIBUS DP	Screws	4	6	8	-40	85	8941054044

Dimensions



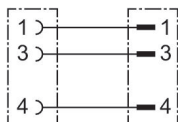
8941054044

Pin assignment, socket



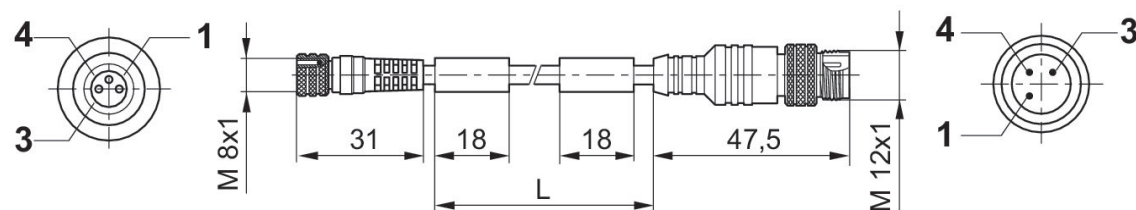
Round plug connector, Series CON-RD

Electrical connection 1, type: Plug
 Electrical connection 1, thread size: M12x1
 Electrical connection 2, thread size: M8x1
 Electrical connection 1, number of poles: 3-pin
 Electrical connection 2, number of poles: 3-pin



Current [A]	Shielding	Electrical connection 1, type	Electrical connection 1, thread size	Electrical connection 1, coding	Electrical connection 2, type	Electrical connection 2, thread size	Electrical connection 2, coding	Cable length [m]	Part No.
4	unshielded	Socket	M8x1	A-coded	Plug	M12x1	A-coded	2	8946203462

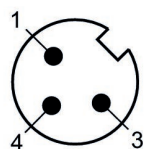
Dimensions



L = length

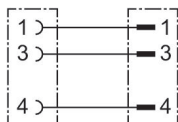
8946203462

Plug pin assignment



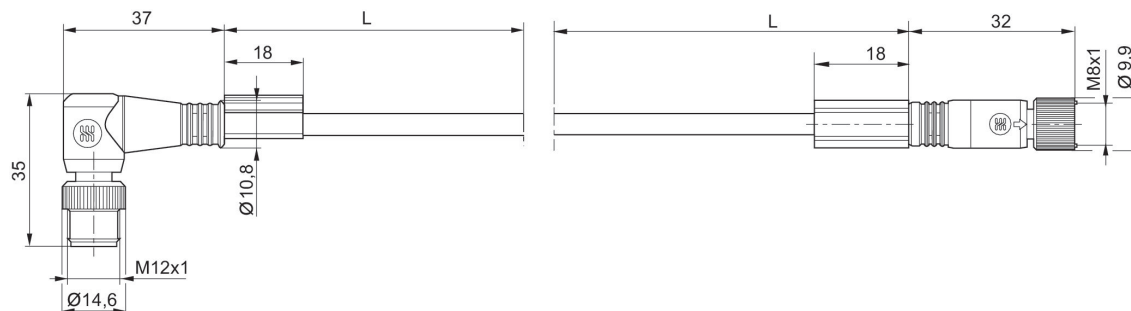
Round plug connector, Series CON-RD

Electrical connection 1, type: Plug
 Electrical connection 1, thread size: M12x1
 Electrical connection 2, thread size: M8x1
 Electrical connection 1, number of poles: 3-pin
 Electrical connection 2, number of poles: 3-pin



Operational voltage	Current [A]	Shielding	Electrical connection 1, type	Electrical connection 1, thread size	Electrical connection 1, coding	Electrical connection 2, type	Electrical connection 2, thread size	Electrical connection 2, coding	Cable length [m]	Cable-Ø [mm]	Wire cross-section [mm ²]	Min. ambient temperature [°C]	Max. ambient temperature [°C]	Part No.
48 V AC/DC	4	unshielded	Socket	M8x1	A-coded	Plug	M12x1	A-coded	2	4.1	0.25	-25	80	R412021696
48 V AC/DC	4	unshielded	Socket	M8x1	A-coded	Plug	M12x1	A-coded	5	4.1	0.25	-20	80	R412021697

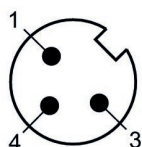
Dimensions



L = length

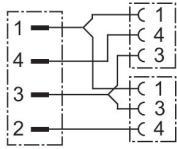
R412021696, R412021697

Plug pin assignment



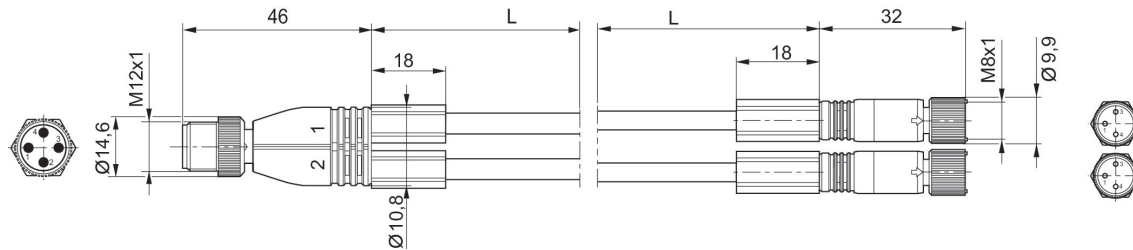
Y-Plug connector, series CON-RD

Electrical connection 1, type: Plug
 Electrical connection 1, thread size: M12x1
 Electrical connection 2, thread size: M8x1
 Electrical connection 1, number of poles: 4-pin
 Electrical connection 2, number of poles: 3-pin



Operational voltage	Current [A]	Shielding	Electrical connection 1, type	Electrical connection 1, thread size	Electrical connection 1, coding	Electrical connection 2, type	Electrical connection 2, thread size	Electrical connection 2, coding	Cable length [m]	Cable-Ø [mm]	Wire cross-section [mm²]	Min. ambient temperature [°C]	Max. ambient temperature [°C]	Part No.
48 V AC/DC	4	unshielded	Plug	M12x1	A-coded	2x Socket	M8x1	A-coded	0.6	4.1	0.25	-25	80	R412021685
48 V AC/DC			Plug	M12x1	A-coded	2x Socket	M8x1	A-coded	1.5	4.1	0.25	-25	80	R412021686
48 V AC/DC	4	unshielded	Plug	M12x1	A-coded	2x Socket	M8x1	A-coded	3	4.1	0.25	-25	80	R412021687

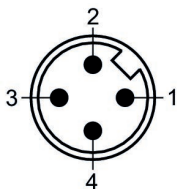
Dimensions



L = length

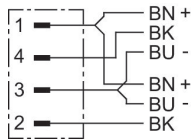
R412021685, R412021686, R412021687

Plug pin assignment



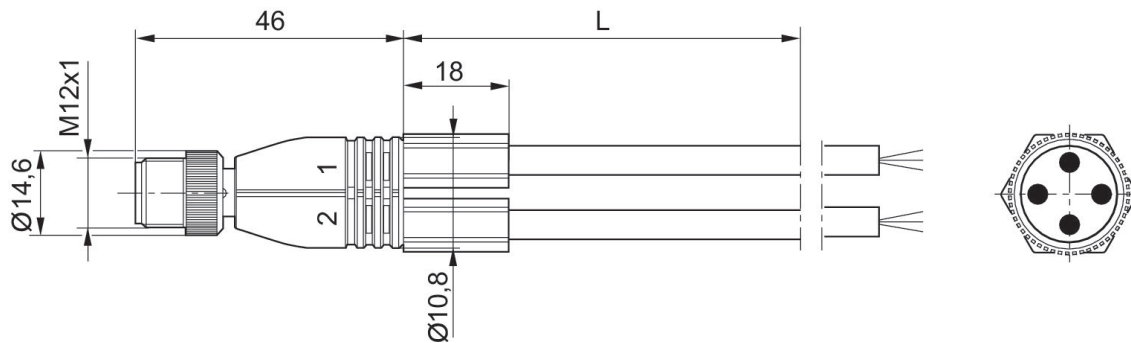
Y-Plug connector, series CON-RD

Electrical connection 1, type: Plug
 Electrical connection 1, thread size: M12x1
 Electrical connection 1, number of poles: 4-pin
 Electrical connection 2, number of poles: 3-pin



Operational voltage	Current [A]	Shielding	Electrical connection 1, type	Electrical connection 1, thread size	Electrical connection 1, coding	Electrical connection 2, type	Cable length [m]	Cable-Ø [mm]	Wire cross-section [mm²]	Min. ambient temperature [°C]	Max. ambient temperature [°C]	Part No.
48 V AC/DC	4	unshielded	Plug	M12x1	A-coded	2 x open cable ends	2	4.3	0.34	-40	80	R412021688

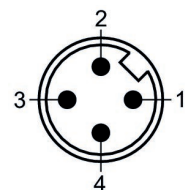
Dimensions



L = length

R412021688

Plug pin assignment



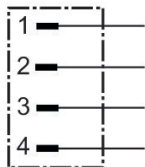
Line 1: (1) BN = brown, (3) BU =blue, (4) BK = black
 Line 2: (1) BN = brown, (3) BU =blue, (2) BK = black

Round plug connector, Series CON-RD

Electrical connection 1, type: Plug

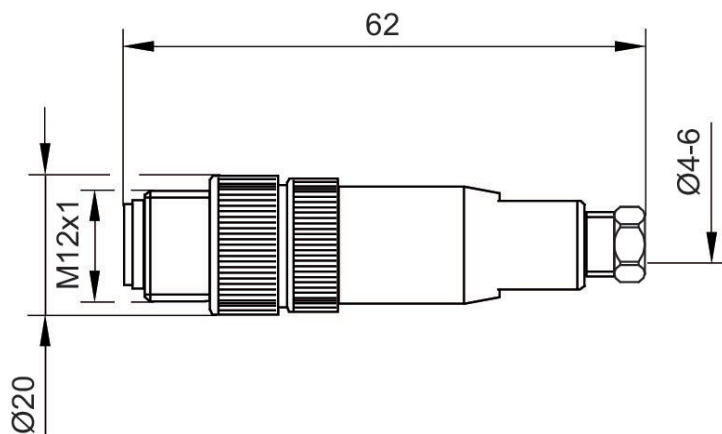
Electrical connection 1, thread size: M12x1

Electrical connection 1, number of poles: 4-pin



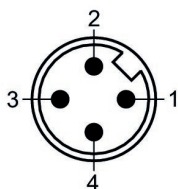
Operational voltage	Contact assignment	Coding	Shielding	Connection type	Max. current [A]	min. suitable cable Ø [mm]	max. suitable cable Ø [mm]	Min. ambient temperature [°C]	Max. ambient temperature [°C]	Part No.
48 V AC/DC	4-pin	A-coded	unshielded	Screws	4	4	6	-40	85	1834484222

Dimensions



1834484222

Plug pin assignment

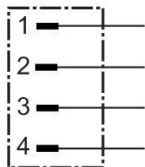


Round plug connector, Series CON-RD

Electrical connection 1, type: Plug

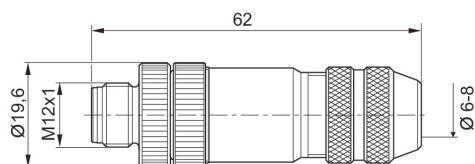
Electrical connection 1, thread size: M12x1

Electrical connection 1, number of poles: 4-pin



Operational voltage	Contact assignment	Coding	Shielding	Protocol	Connection type	Max. current [A]	min. suitable cable Ø [mm]	max. suitable cable Ø [mm]	Min. ambient temperature [°C]	Max. ambient temperature [°C]	Part No.
48 V AC/DC	4-pin	D-coded	shielded	Ethernet, EtherNet/IP, EtherCAT, POWERLINK, sercos III	Thread cutting	4	6	8	-40	85	R419801401

Dimensions

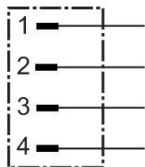


Round plug connector, Series CON-RD

Electrical connection 1, type: Plug

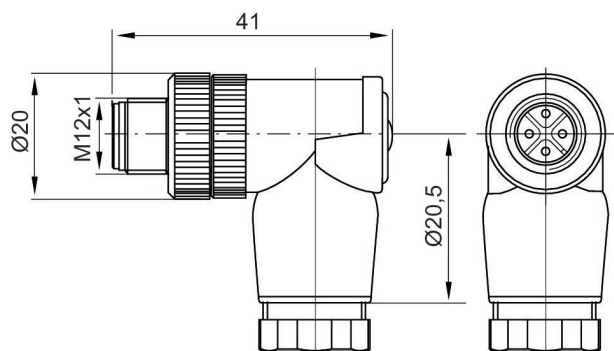
Electrical connection 1, thread size: M12x1

Electrical connection 1, number of poles: 4-pin

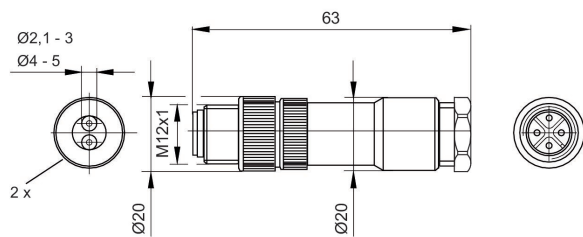


Operational voltage	Contact assignment	Coding	Shielding	Connection type	Max. current [A]	min. suitable cable Ø [mm]	max. suitable cable Ø [mm]	Min. ambient temperature [°C]	Max. ambient temperature [°C]	Part No.
48 V AC/DC	4-pin	A-coded	unshielded	Screws	4	4	6	-40	85	1834484223
48 V AC/DC	4-pin	A-coded	unshielded	Screws	4	2.1	3	-40	85	1834484246

1834484223



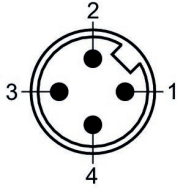
1834484246



duo plug

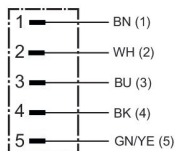
1834484223, 1834484246

Plug pin assignment



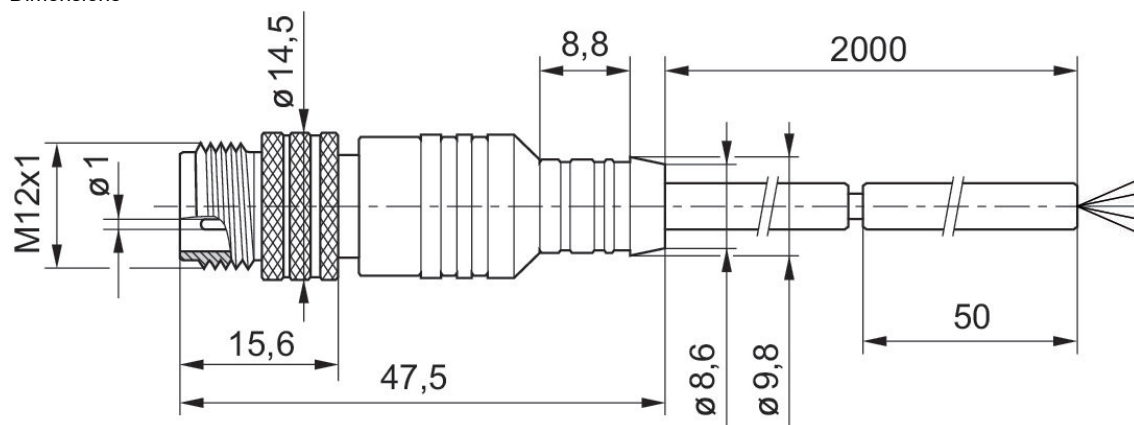
Round plug connector, Series CON-RD

Electrical connection 1, type: Plug
 Electrical connection 1, thread size: M12x1
 Electrical connection 1, number of poles: 5-pin



Shielding	Electrical connection 1, type	Electrical connection 1, thread size	Electrical connection 1, coding	Electrical connection 2, type	Cable length [m]	Part No.
unshielded	Plug	M12x1	A-coded	open cable ends	2	8946203432
unshielded	Plug	M12x1	A-coded	open cable ends	5	8946203442

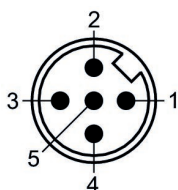
Dimensions



L = length

8946203432, 8946203442

Plug pin assignment



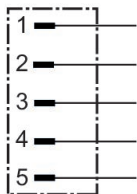
(1) BN=brown (2) WH=white (3) BU=blue (4) BK=black (5) GY=green-yellow

Round plug connector, Series CON-RD

Electrical connection 1, type: Plug

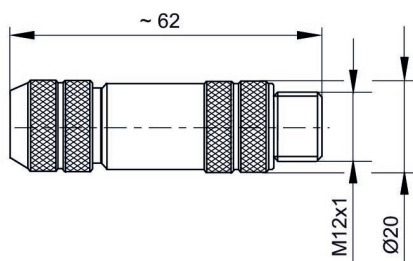
Electrical connection 1, thread size: M12x1

Electrical connection 1, number of poles: 5-pin



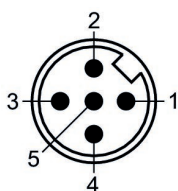
Operational voltage	Contact assignment	Coding	Shielding	Protocol	Connection type	Max. current [A]	min. suitable cable Ø [mm]	max. suitable cable Ø [mm]	Min. ambient temperature [°C]	Max. ambient temperature [°C]	Part No.
48 V AC/DC	5-pin	A-coded	shielded	CANopen, DeviceNet	Screws	4	6	8	-40	85	8942051612

Dimensions



8942051612

Plug pin assignment

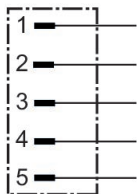


Round plug connector, Series CON-RD

Electrical connection 1, type: Plug

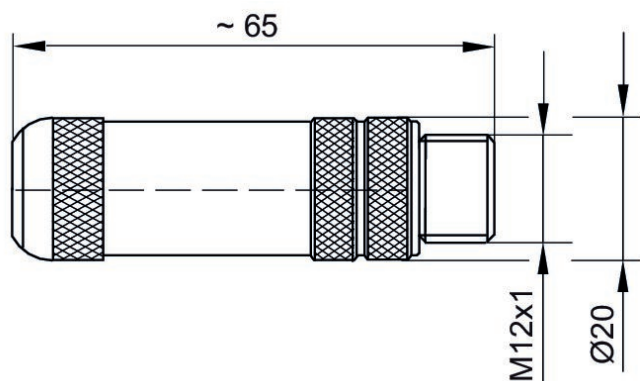
Electrical connection 1, thread size: M12x1

Electrical connection 1, number of poles: 5-pin



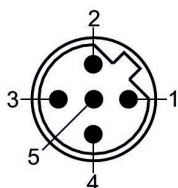
Operational voltage	Contact assignment	Coding	Shielding	Protocol	Connection type	Max. current [A]	min. suitable cable Ø [mm]	max. suitable cable Ø [mm]	Min. ambient temperature [°C]	Max. ambient temperature [°C]	Part No.
48 V AC/DC	5-pin	B-coded	shielded	PROFIBUS DP	Screws	4	4	9	-25	85	8941054054

Dimensions



8941054054

Plug pin assignment



Round plug connector, Series CON-RD

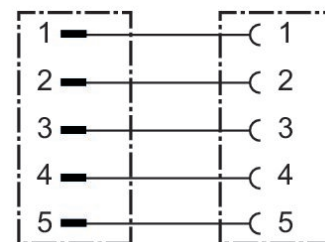
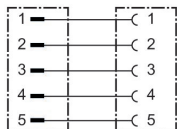
Electrical connection 1, type: Plug

Electrical connection 1, thread size: M12x1

Electrical connection 2, thread size: M12x1

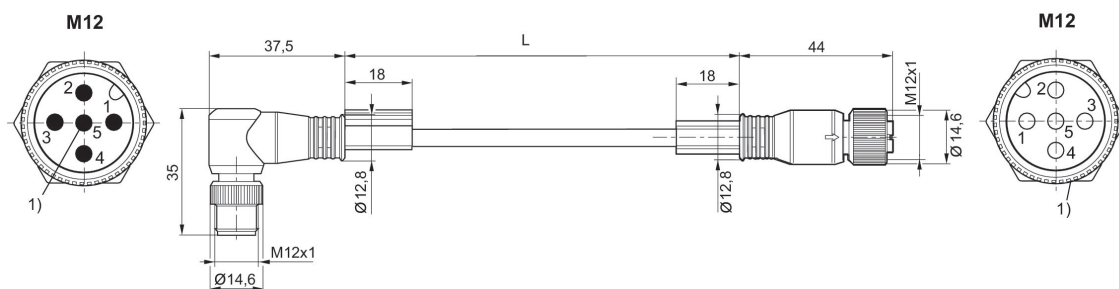
Electrical connection 1, number of poles: 5-pin

Electrical connection 2, number of poles: 5-pin



Operational voltage	Current [A]	Shielding	Electrical connection 1, type	Electrical connection 1, thread size	Electrical connection 1, coding	Electrical connection 2, type	Electrical connection 2, thread size	Electrical connection 2, coding	Cable length [m]	Cable-Ø [mm]	Wire cross-section [mm ²]	Min. ambient temperature [°C]	Max. ambient temperature [°C]	Part No.
48 V AC/DC	4	shielded	Socket	M12x1	A-coded	Plug	M12x1	A-coded	2	5.4	0.34	-20	85	R412022193

Dimensions



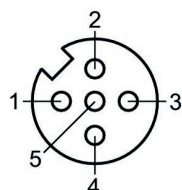
L = length

PIN assignment 1:1

1) Shield is connected to pin 5 of the plug and the knurled screw of the socket.

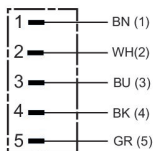
R412022193

Pin assignment, socket



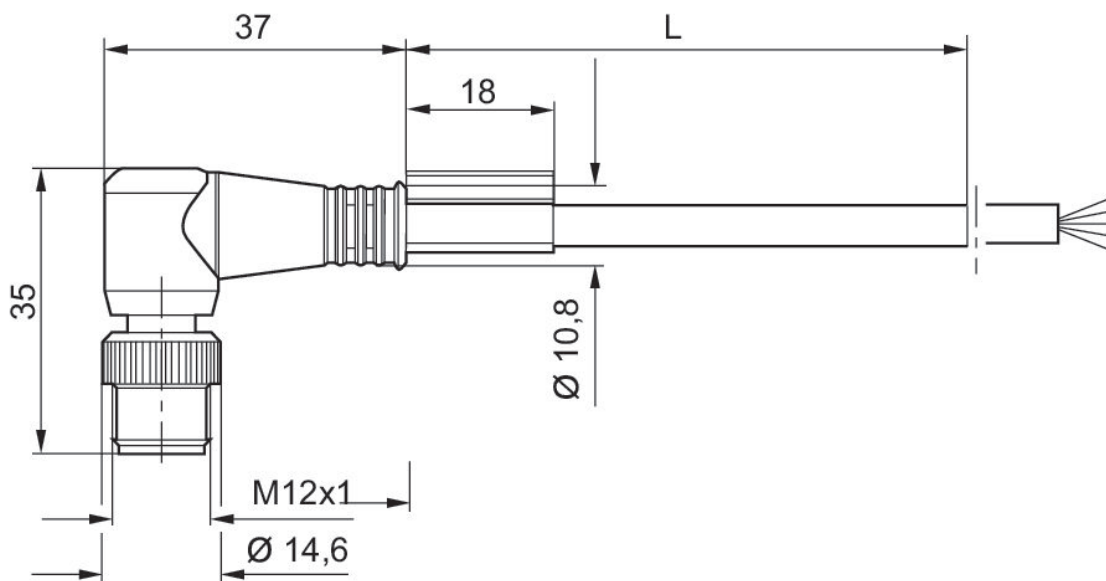
Round plug connector, Series CON-RD

Electrical connection 1, type: Plug
 Electrical connection 1, thread size: M12x1
 Electrical connection 1, number of poles: 5-pin
 Electrical connection 2, number of poles: 5-pin



Operational voltage	Current [A]	Shielding	Electrical connection 1, type	Electrical connection 1, thread size	Electrical connection 1, coding	Electrical connection 2, type	Cable length [m]	Cable-Ø [mm]	Wire cross-section [mm²]	Min. ambient temperature [°C]	Max. ambient temperature [°C]	Part No.
48 V AC/DC	4	unshielded	Plug	M12x1	A-coded	open cable ends	2	5	0.34	-40	85	R412021691
48 V AC/DC	4	unshielded	Plug	M12x1	A-coded	open cable ends	5	5	0.34	-40	85	R412021692
48 V AC/DC	4	unshielded	Plug	M12x1	A-coded	open cable ends	10	5	0.34	-25	85	R412021693

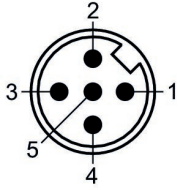
Dimensions



L = length

R412021691, R412021692, R412021693

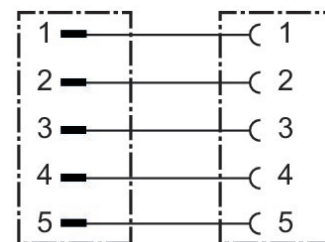
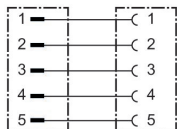
Plug pin assignment



(1) BN=brown (2) WH=white (3) BU=blue (4) BK=black (5) GY=grey

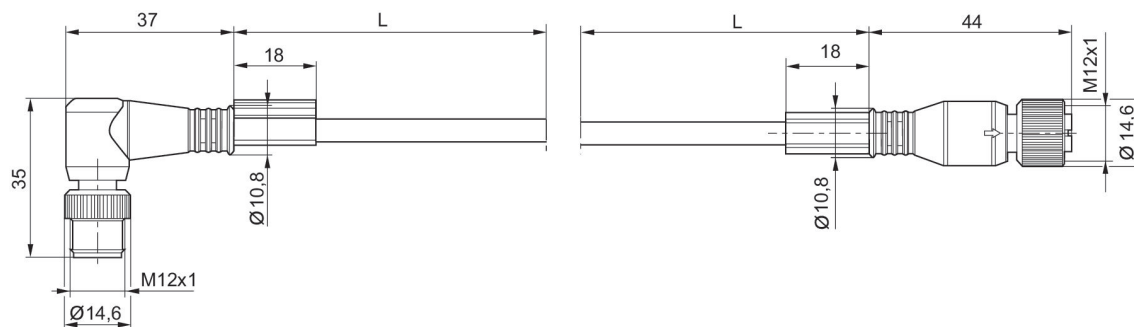
Round plug connector, Series CON-RD

Electrical connection 1, type: Plug
 Electrical connection 1, thread size: M12x1
 Electrical connection 2, thread size: M12x1
 Electrical connection 1, number of poles: 5-pin
 Electrical connection 2, number of poles: 5-pin



Operational voltage	Current [A]	Shielding	Electrical connection 1, type	Electrical connection 1, thread size	Electrical connection 1, coding	Electrical connection 2, type	Electrical connection 2, thread size	Electrical connection 2, coding	Cable length [m]	Cable-Ø [mm]	Wire cross-section [mm²]	Min. ambient temperature [°C]	Max. ambient temperature [°C]	Part No.
48 V AC/DC	4	unshielded	Socket	M12x1	A-coded	Plug	M12x1	A-coded	2	5	0.34	-25	85	R412021694
48 V AC/DC	4	unshielded	Socket	M12x1	A-coded	Plug	M12x1	A-coded	5	5	0.34	-25	85	R412021695

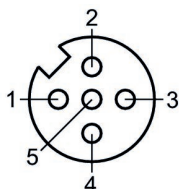
Dimensions



L = length

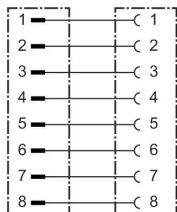
R412021694, R412021695

Pin assignment, socket



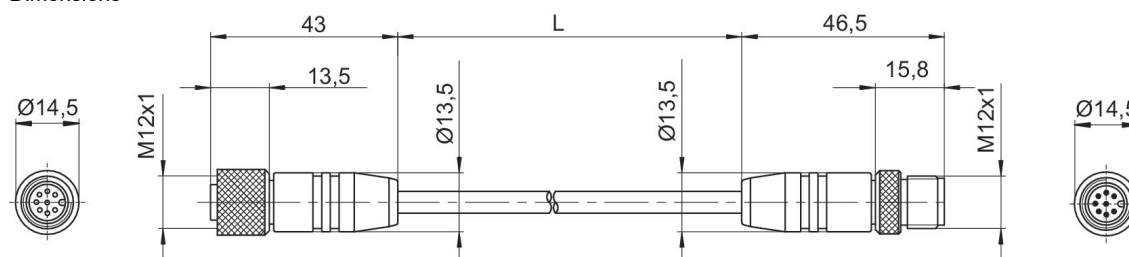
Round plug connector, Series CON-RD

Electrical connection 1, type: Plug
 Electrical connection 1, thread size: M12x1
 Electrical connection 2, thread size: M12x1
 Electrical connection 1, number of poles: 8-pin
 Electrical connection 2, number of poles: 8-pin



Operational voltage	Current [A]	Shielding	Electrical connection 1, type	Electrical connection 1, thread size	Electrical connection 1, coding	Electrical connection 2, type	Electrical connection 2, thread size	Electrical connection 2, coding	Cable length [m]	Cable-Ø [mm]	Wire cross-section [mm²]	Min. ambient temperature [°C]	Max. ambient temperature [°C]	Part No.
36 V DC / 30 V AC	1.5	shielded	Socket	M12x1	A-coded	Plug	M12x1	A-coded	0.5	6.6	0.25	-25	80	8946202802
36 V DC / 30 V AC	1.5	shielded	Socket	M12x1	A-coded	Plug	M12x1	A-coded	1	6.6	0.25	-25	80	8946202812
36 V DC / 30 V AC	1.5	shielded	Socket	M12x1	A-coded	Plug	M12x1	A-coded	2	6.6	0.25	-25	80	8946202822
36 V DC / 30 V AC	1.5	shielded	Socket	M12x1	A-coded	Plug	M12x1	A-coded	5	6.6	0.25	-25	80	8946202832
36 V DC / 30 V AC	1.5	shielded	Socket	M12x1	A-coded	Plug	M12x1	A-coded	10	6.6	0.25	-25	80	8946202842

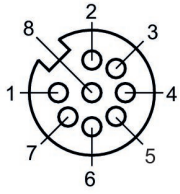
Dimensions



L = length

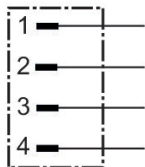
8946202802, 8946202812, 8946202822, 8946202832, 8946202842

Pin assignment, socket



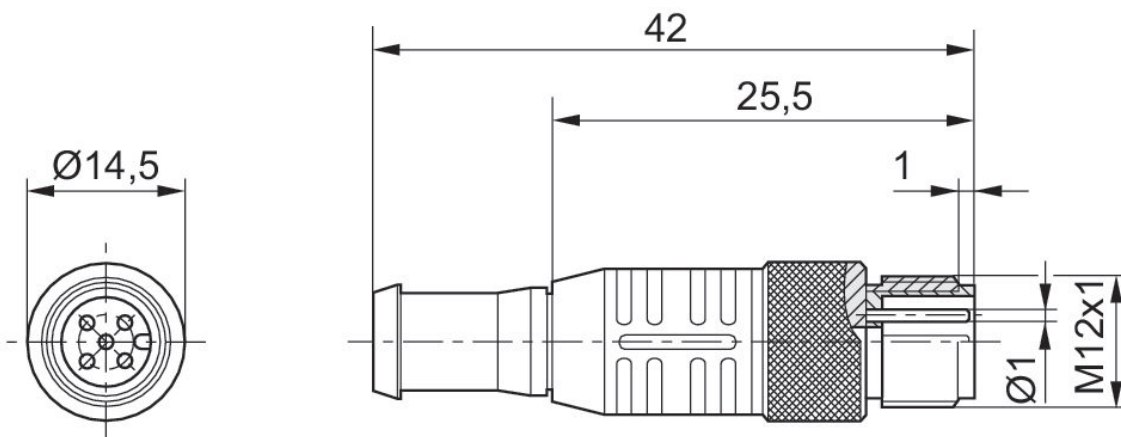
Data final plug, Series CON-RD

Electrical connection 1, type: Plug
 Electrical connection 1, thread size: M12x1
 Electrical connection 1, number of poles: 4-pin



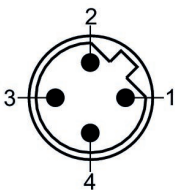
Contact assignment	Coding	Protocol	Min. ambient temperature [°C]	Max. ambient temperature [°C]	Part No.
4-pin	B-coded	PROFIBUS DP	-25	80	8941054064

Dimensions



8941054064

Plug pin assignment

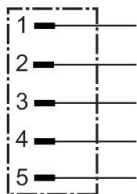


Data final plug, Series CON-RD

Electrical connection 1, type: Plug

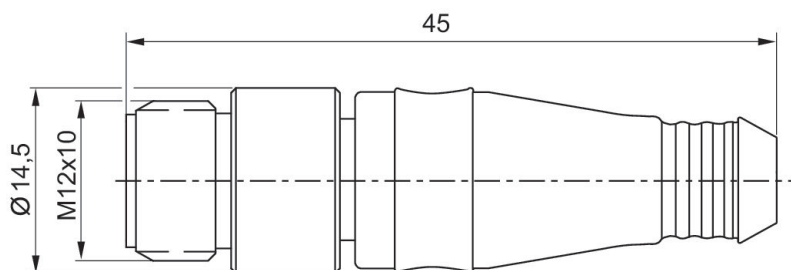
Electrical connection 1, thread size: M12x1

Electrical connection 1, number of poles: 5-pin



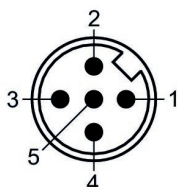
Contact assignment	Coding	Protocol	Min. ambient temperature [°C]	Max. ambient temperature [°C]	Part No.
5-pin	A-coded	CANopen, DeviceNet	0	60	8941054264

Dimensions



8941054264

Plug pin assignment

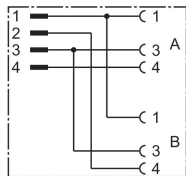


Y-Plug connector, series CON-AP

Electrical connection 1, type: Socket

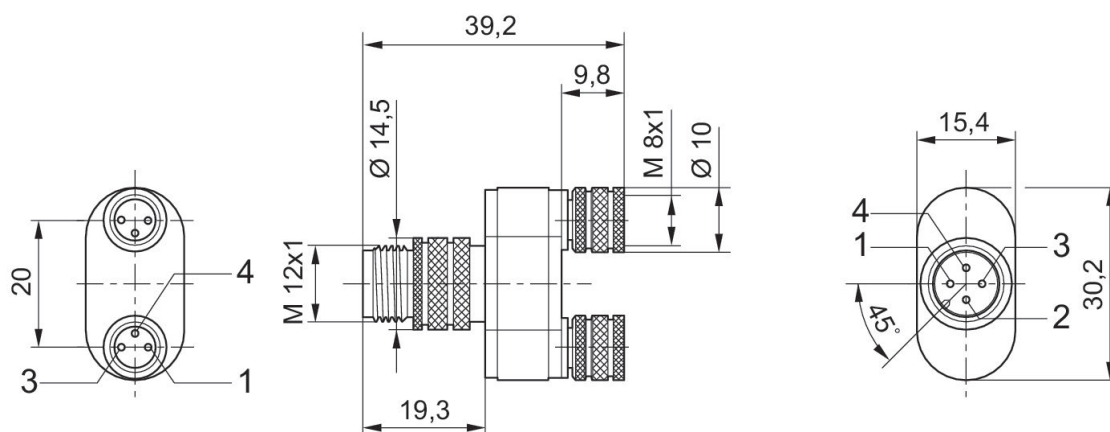
Electrical connection 1, thread size: M8x1

Electrical connection 1, number of poles: 3-pin



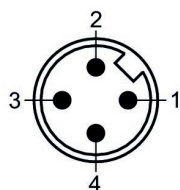
Max. current [A]	Part No.
4	8941002382

Dimensions



8941002382

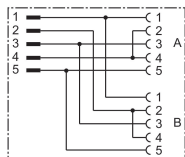
Plug pin assignment



Plug (male) M 12 Pin	Socket (fe- male) M8 A Pin	Socket (fe- male) M8 B Pin
1	1	1
2	-	4
3	3	3
4	4	-

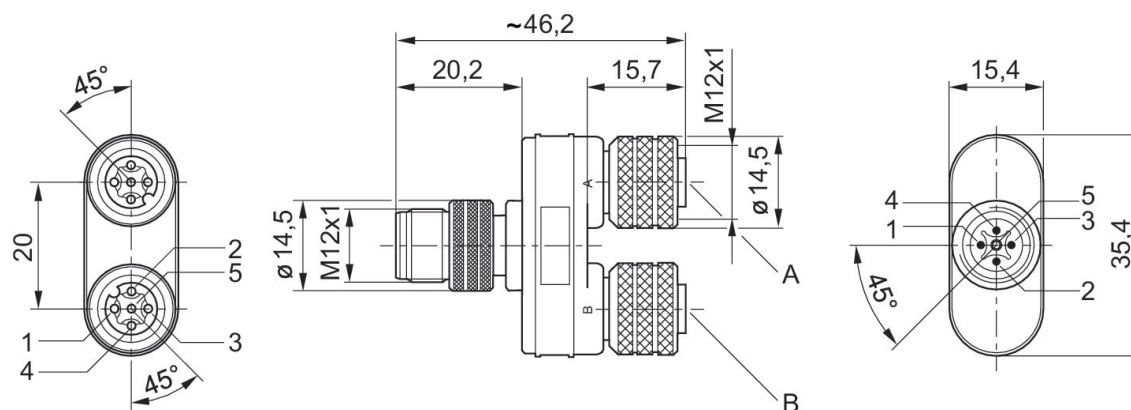
Y-Plug connector, series CON-AP

Electrical connection 1, type: Plug
 Electrical connection 1, thread size: M12x1
 Electrical connection 2, thread size: M12x1
 Electrical connection 1, number of poles: 5-pin
 Electrical connection 2, number of poles: 5-pin



Max. current [A]	Part No.
4	8941002392

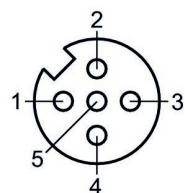
Dimensions



Sockets: Pin 2 and 4 bridged.

8941002392

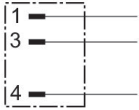
Pin assignment, socket



Plug (male) M 12 Pin	Socket (fe- male) A M12 Pin	Socket (fe- male) B M12 Pin
1	1	1
2	-	2 / 4
3	3	3
4	2 / 4	-
5	5	5
tablefooter		

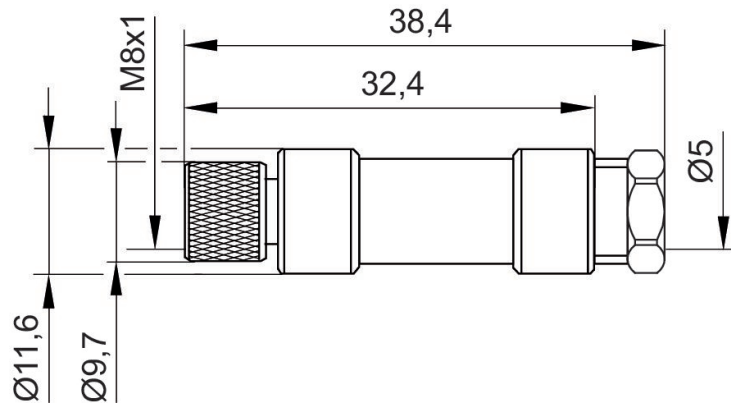
Round plug connector, Series CON-RD

Electrical connection 1, type: Plug
 Electrical connection 1, thread size: M8x1
 Electrical connection 1, number of poles: 3-pin



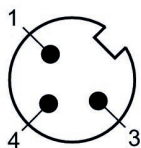
Operational voltage	Contact assignment	Coding	Shielding	Connection type	Max. current [A]	min. suitable cable Ø [mm]	max. suitable cable Ø [mm]	Min. ambient temperature [°C]	Max. ambient temperature [°C]	Part No.
48 V AC/DC	3-pin	A-coded	unshielded	Screws	4	3.5	5	-40	85	R412021676

Dimensions



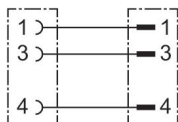
R412021676

Plug pin assignment



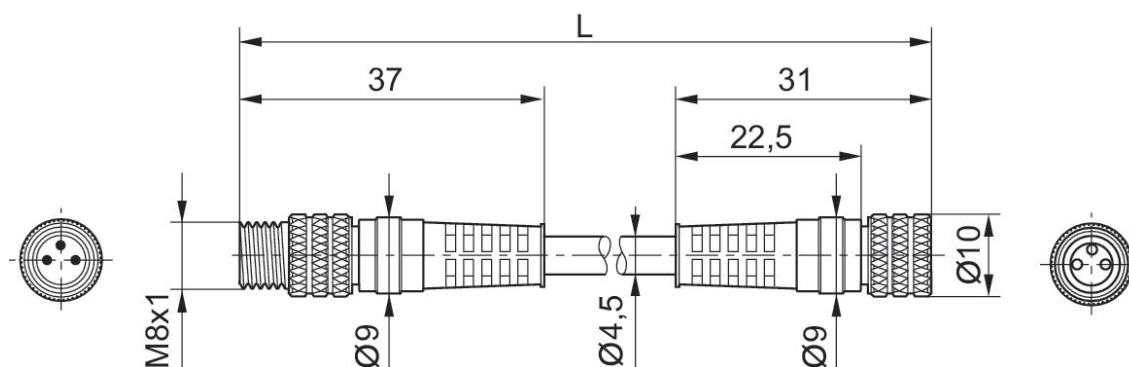
Round plug connector, Series CON-RD, Plug M8x1

Electrical connection 1, type: Plug
 Electrical connection 1, thread size: M8x1
 Electrical connection 1, number of poles: 3-pin



Shielding	Electrical connection 1, type	Electrical connection 1, thread size	Electrical connection 1, coding	Electrical connection 2, type	Electrical connection 2, thread size	Electrical connection 2, coding	Cable length [m]	Cable-Ø [mm]	Part No.
unshielded	Socket	M8x1	A-coded	Plug	M8x1	A-coded	1	4.5	8946203702
unshielded	Socket	M8x1	A-coded	Plug	M8x1	A-coded	2	4.5	8946203712
unshielded	Socket	M8x1	A-coded	Plug	M8x1	A-coded	5	4.5	8946203722

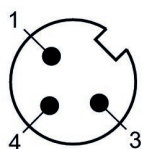
Dimensions



L = length

8946203702, 8946203712, 8946203722

Plug pin assignment



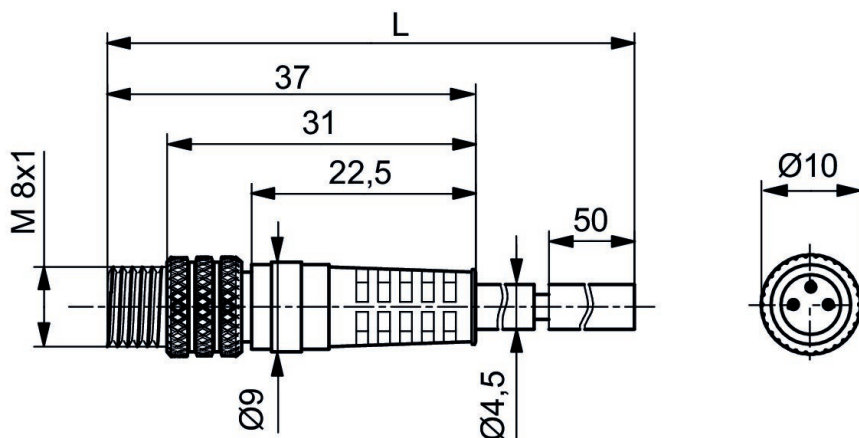
Round plug connector, Series CON-RD

Electrical connection 1, type: Plug
 Electrical connection 1, thread size: M8x1
 Electrical connection 1, number of poles: 3-pin



Operational voltage	Current [A]	Shielding	Electrical connection 1, type	Electrical connection 1, thread size	Electrical connection 1, coding	Electrical connection 2, type	Cable length [m]	Cable-Ø [mm]	Wire cross-section [mm²]	Min. ambient temperature [°C]	Max. ambient temperature [°C]	Part No.
30 V AC/DC	3	unshielded	Plug	M8x1	A-coded	open cable ends	3	4.5	0.25	-25	80	8946203602
30 V AC/DC	3	unshielded	Plug	M8x1	A-coded	open cable ends	5	4.5	0.25	-25	80	8946203612
30 V AC/DC	3	unshielded	Plug	M8x1	A-coded	open cable ends	10	4.5	0.25	-25	80	8946203622

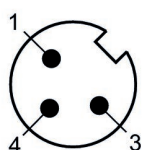
Dimensions



L = length

8946203602, 8946203612, 8946203622

Plug pin assignment



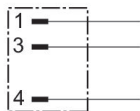
(1) BN=brown (3) BU=blue (4) BK=black

Round plug connector, Series CON-RD

Electrical connection 1, type: Plug

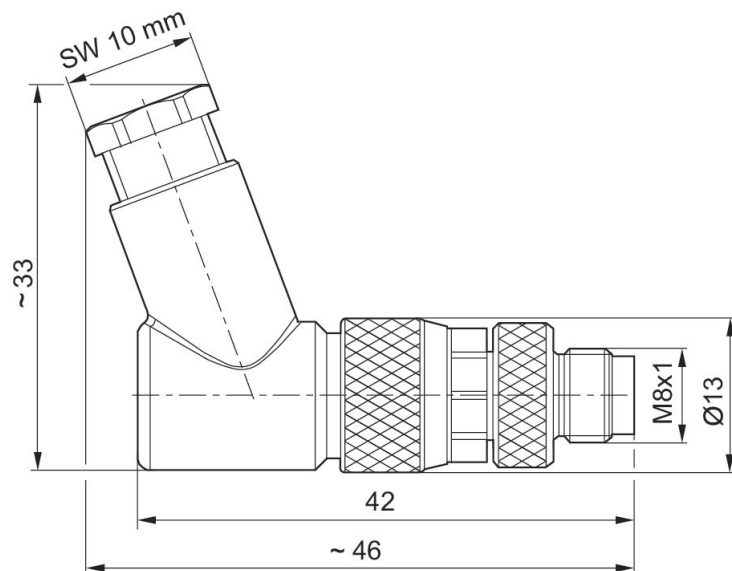
Electrical connection 1, thread size: M8x1

Electrical connection 1, number of poles: 3-pin



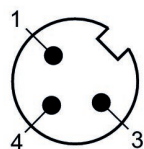
Operational voltage	Contact assignment	Coding	Shielding	Connection type	Max. current [A]	min. suitable cable Ø [mm]	max. suitable cable Ø [mm]	Min. ambient temperature [°C]	Max. ambient temperature [°C]	Part No.
48 V AC/DC	3-pin	A-coded	unshielded	Screws	4	3.5	6	-25	85	R412021677

Dimensions



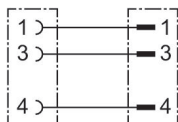
R412021677

Plug pin assignment



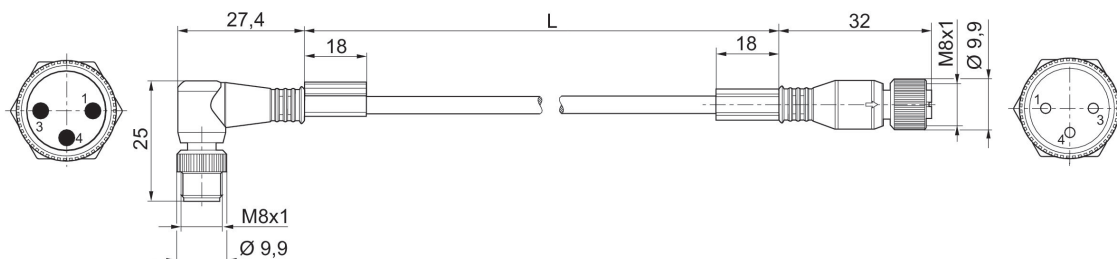
Round plug connector, Series CON-RD

Electrical connection 1, type: Plug
 Electrical connection 1, thread size: M8x1
 Electrical connection 2, thread size: M8x1
 Electrical connection 1, number of poles: 3-pin
 Electrical connection 2, number of poles: 3-pin



Operational voltage	Current [A]	Shielding	Electrical connection 1, type	Electrical connection 1, thread size	Electrical connection 1, coding	Electrical connection 2, type	Electrical connection 2, thread size	Electrical connection 2, coding	Cable length [m]	Cable-Ø [mm]	Wire cross-section [mm²]	Min. ambient temperature [°C]	Max. ambient temperature [°C]	Part No.
48 V AC/DC	4	unshielded	Socket	M8x1	A-coded	Plug	M8x1	A-coded	1	4.1	0.25	-25	80	R412021681
48 V AC/DC	4	unshielded	Socket	M8x1	A-coded	Plug	M8x1	A-coded	2	4.1	0.25	-25	80	R412021682
48 V AC/DC	4	unshielded	Socket	M8x1	A-coded	Plug	M8x1	A-coded	5	4.1	0.25	-25	80	R412021683

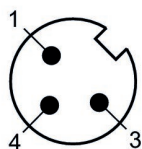
Dimensions



L = length

R412021681, R412021682, R412021683

Plug pin assignment



Round plug connector, Series CON-RD

Electrical connection 1, type: Plug

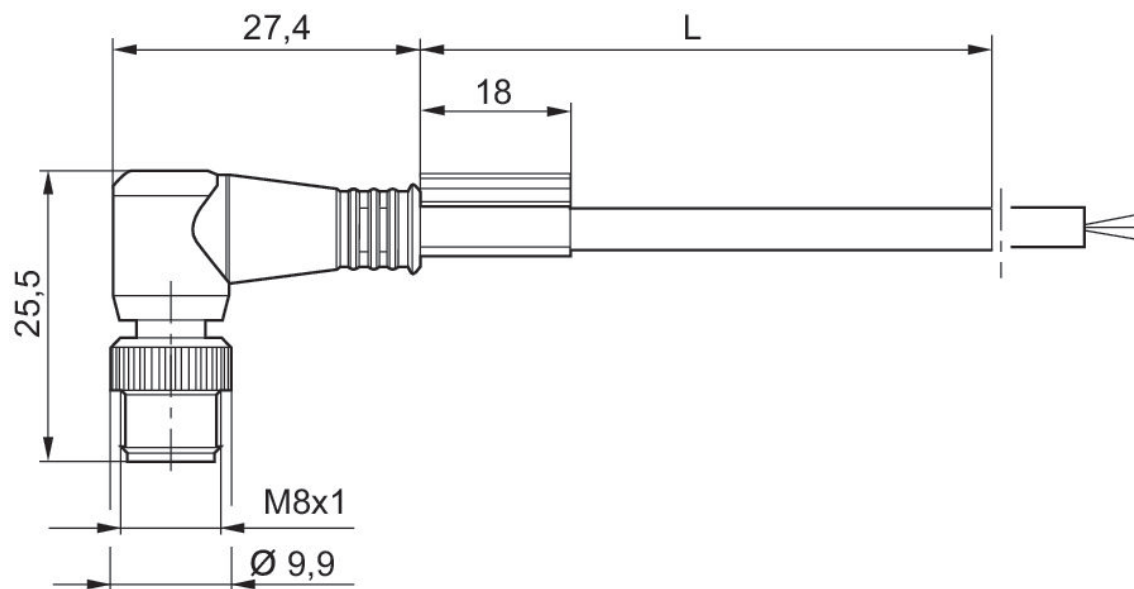
Electrical connection 1, thread size: M8x1

Electrical connection 1, number of poles: 3-pin



Operational voltage	Current [A]	Shielding	Electrical connection 1, type	Electrical connection 1, thread size	Electrical connection 1, coding	Electrical connection 2, type	Cable length [m]	Cable-Ø [mm]	Wire cross-section [mm²]	Min. ambient temperature [°C]	Max. ambient temperature [°C]	Part No.
48 V AC/DC	4	unshielded	Plug	M8x1	A-coded	open cable ends	2	4.1	0.25	-25	80	R412021678
48 V AC/DC	4	unshielded	Plug	M8x1	A-coded	open cable ends	5	4.1	0.25	-25	80	R412021679
48 V AC/DC	4	unshielded	Plug	M8x1	A-coded	open cable ends	10	4.1	0.25	-25	80	R412021680

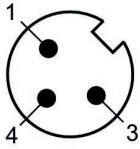
Dimensions



L = length

R412021678, R412021679, R412021680

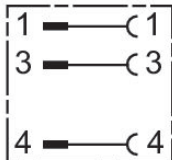
Plug pin assignment



(1) BN=brown (3) BU=blue (4) BK=black

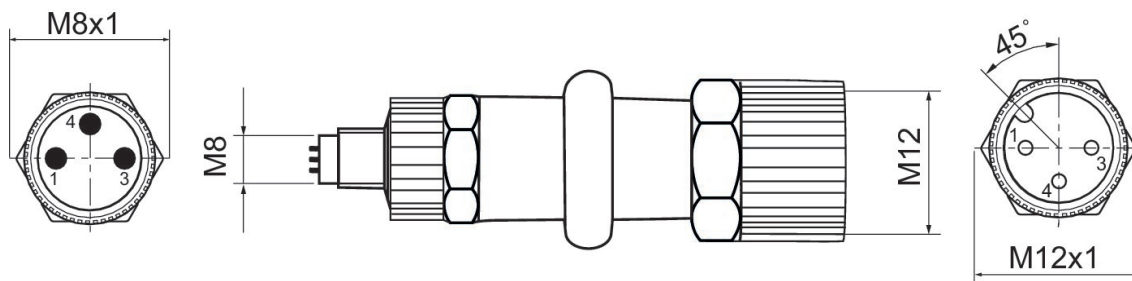
Adapter, Series CON-AP

Electrical connection 1, type: Plug
 Electrical connection 1, thread size: M8x1
 Electrical connection 2, thread size: M12x1
 Electrical connection 1, number of poles: 3-pin
 Electrical connection 2, number of poles: 3-pin



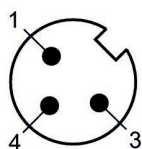
Max. current [A]	Part No.
4	R412021684

Dimensions



R412021684

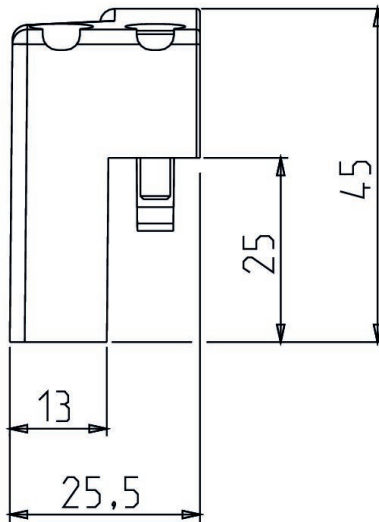
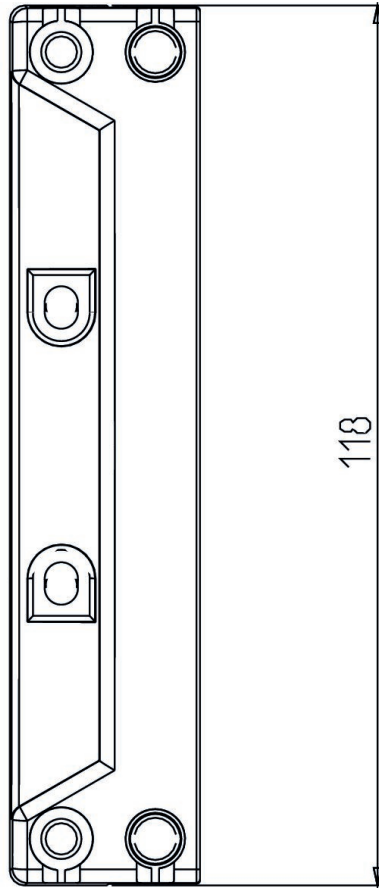
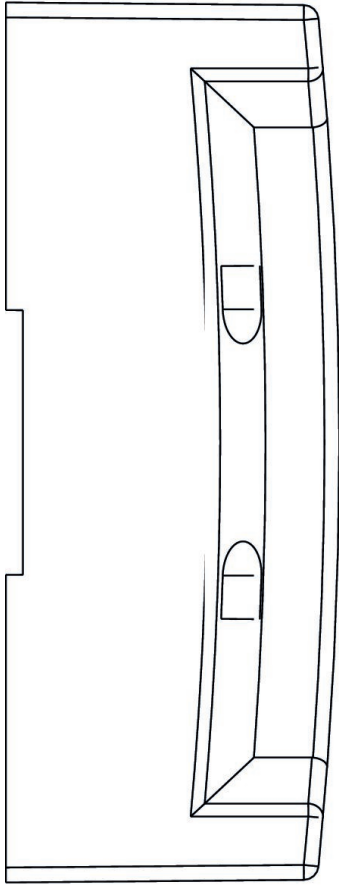
Plug pin assignment



End plate left



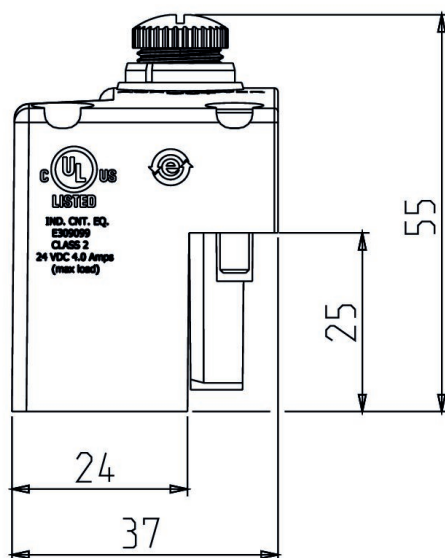
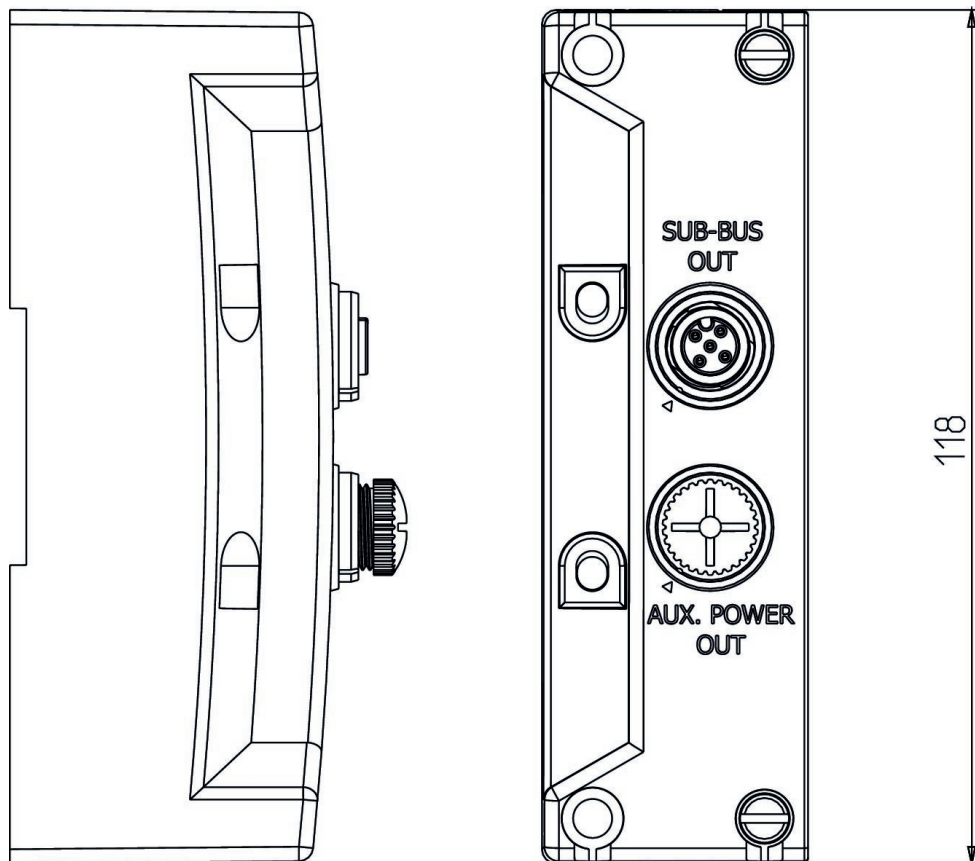
Operational voltage electronics	Operational voltage electronics	Part No.
24 V DC	-10 % / +10 %	240-184



Left end plate for Subbus G3



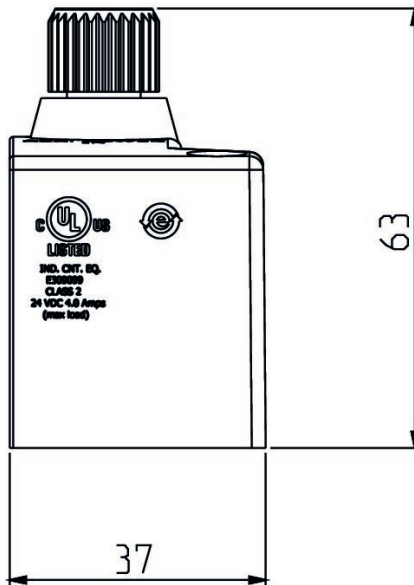
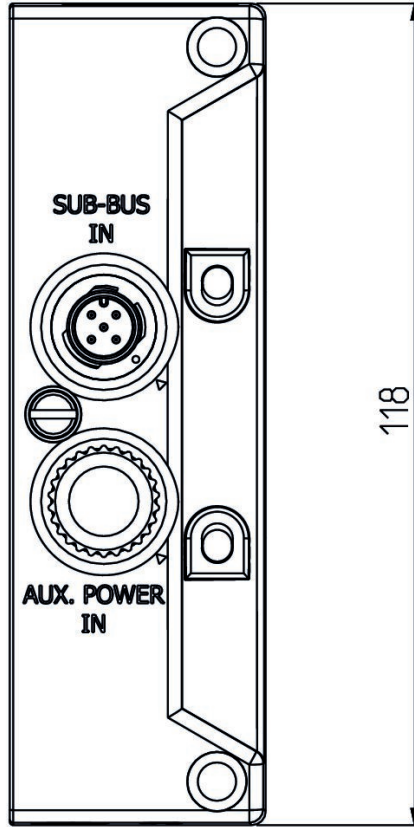
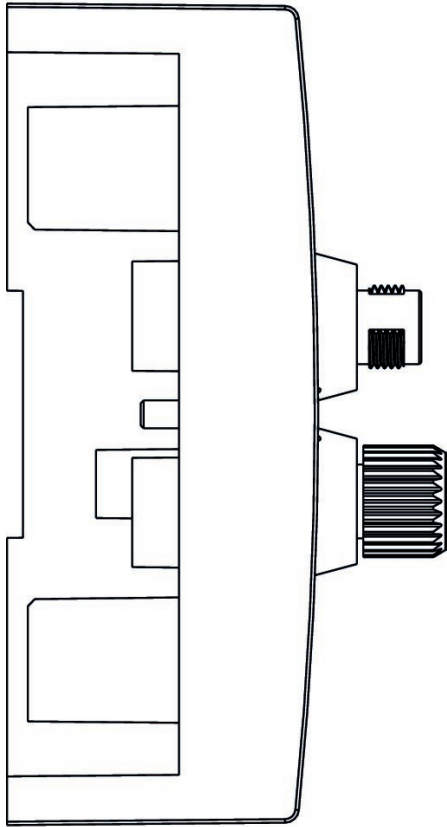
Operational voltage electronics	Operational voltage electronics	Part No.
24 V DC	-10 % / +10 %	240-183



Right end plate for Subbus G3



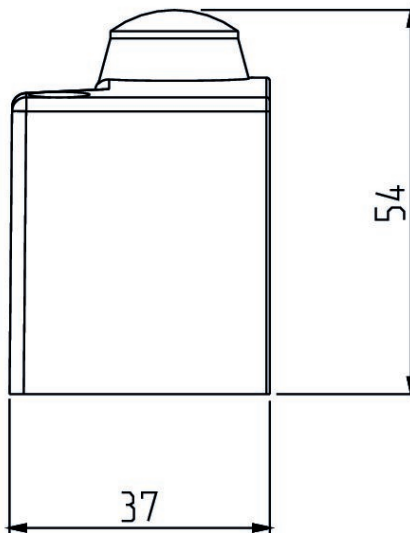
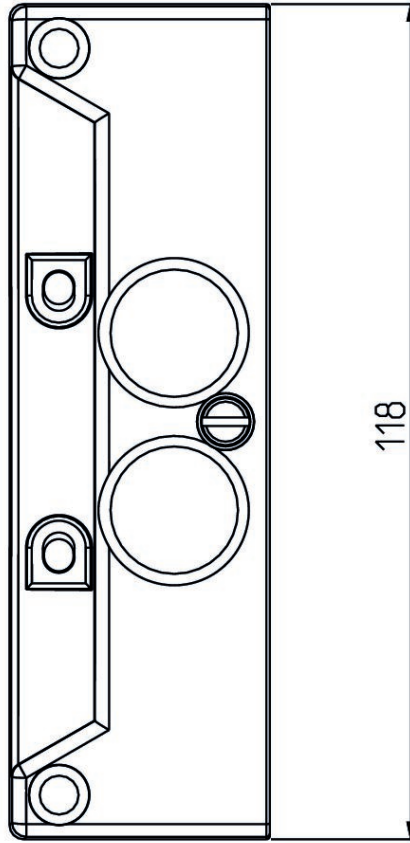
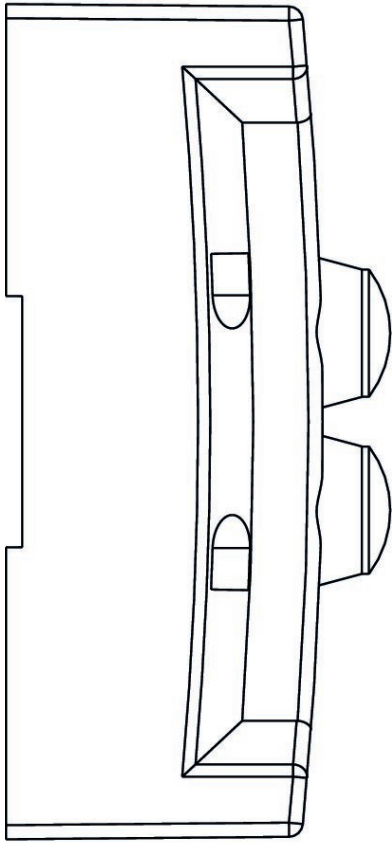
Operational voltage electronics	Operational voltage electronics	Part No.
24 V DC	-10 % / +10 %	240-185



Right end plate for G3 Standalone

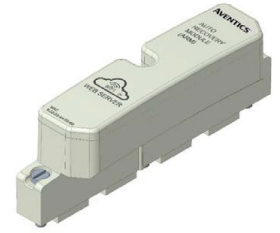


Operational voltage electronics	Operational voltage electronics	Part No.
24 V DC	-10 % / +10 %	240-255

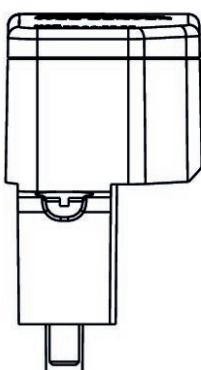
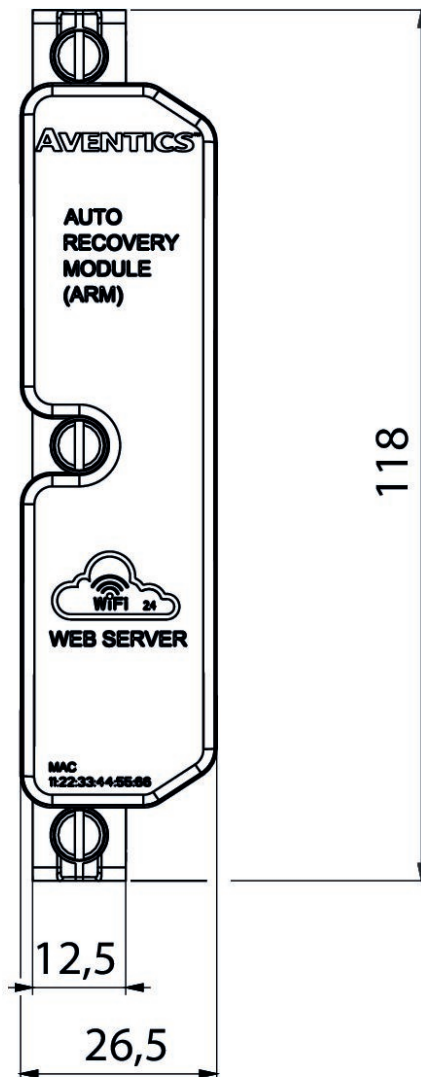
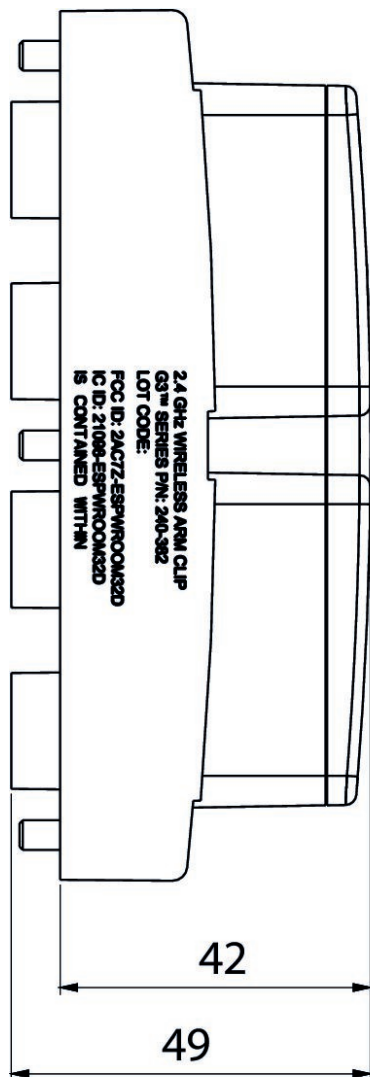


Wireless auto-recovery module, series G3

For series: G3



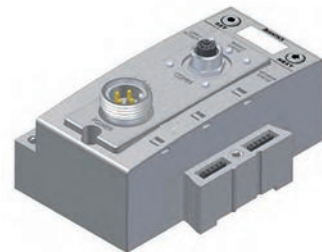
Part No.
240-382



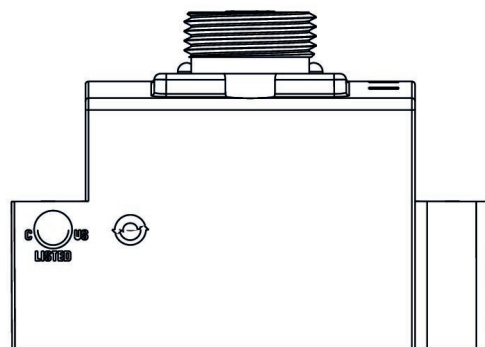
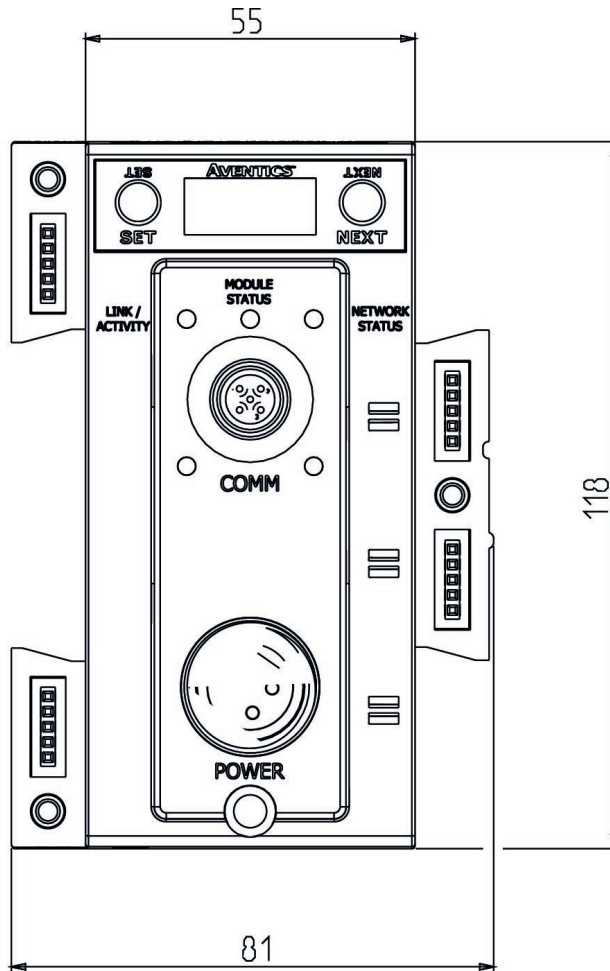
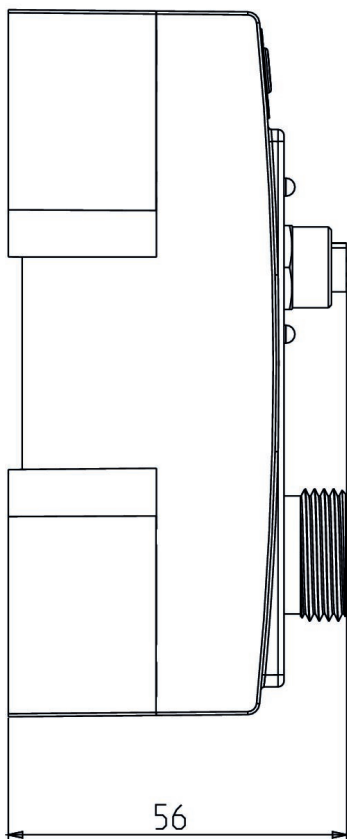
G3 Subbus module

Electrical connection 2, thread size: 7/8"

Electrical connection 2, number of poles: 4-pin



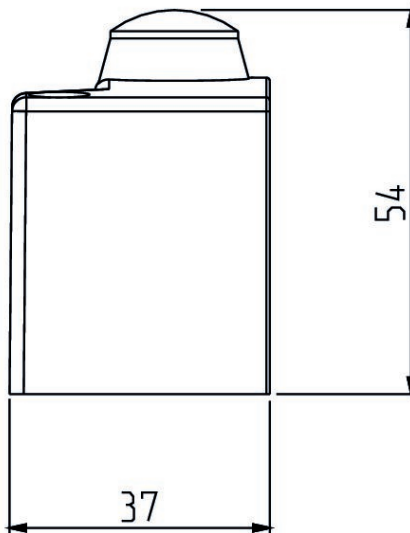
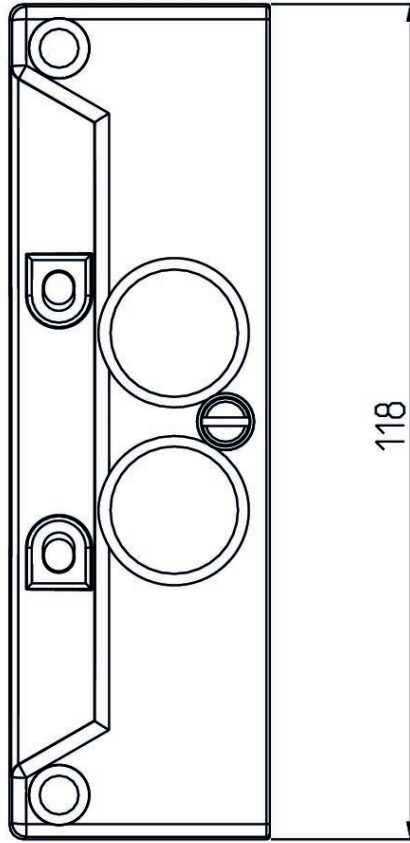
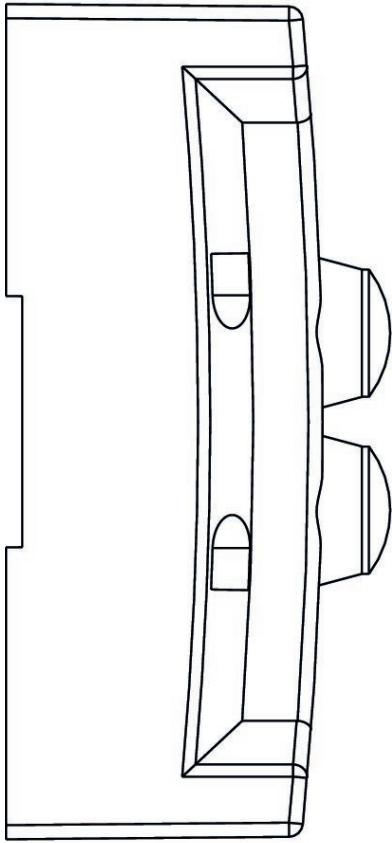
Number of poles	Operational voltage electronics	Operational voltage electronics	Part No.
4-pin	24 V DC	-10 % / +10 %	240-241



Right end plate for G3 Standalone







Operational voltage electronics	Operational voltage electronics	Part No.
24 V DC	-10 % / +10 %	240-255



Efficient pneumatic solutions, our program:
cylinders and drives, valves and valve systems,
air supply management, proportional pressure
control valves



Visit us: www.Emerson.com/aventics
Your local contact: Emerson.com/contactus

-  Emerson.com
-  Facebook.com/EmersonAutomationSolutions
-  LinkedIn.com/company/Emerson-Automation-Solutions
-  Twitter.com/EMR_Automation



The Emerson logo is a trademark and service mark of Emerson Electric Co. AVENTICS is a registered trademark of one of the Emerson family of companies. All other trademarks are the property of their respective owners. © 2020 Emerson Electric Co. All rights reserved.



CONSIDER IT SOLVED™