

# Series 519



## Series 519

The AVENTICS Series 519 is a line of air-operated mini-spool valves that are ideal for piloting pneumatic cylinders. The valves are suitable for automotive, case packing, packaging, and tire manufacturing applications.

- Rugged polyamide or light alloy constructions
- Mounted on joinable subbase for manifold applications
- M5 tapped bodies
- Handles lubricated or non-lubricated air or neutral gas



## Product overview

### Electrically operated

	Page
5/2-directional valve, Series 519, with air spring return.....	4
5/2-directional valve, Series 519, double solenoid.....	6
5/3-directional valve, Series 519.....	8

### Pneumatically operated

5/2-directional valve, Series 519, single solenoid.....	10
5/2-directional valve, Series 519, double solenoid.....	12

### Accessories overview Mechanical accessories

Base plate, Series 335.....	14
-----------------------------	----

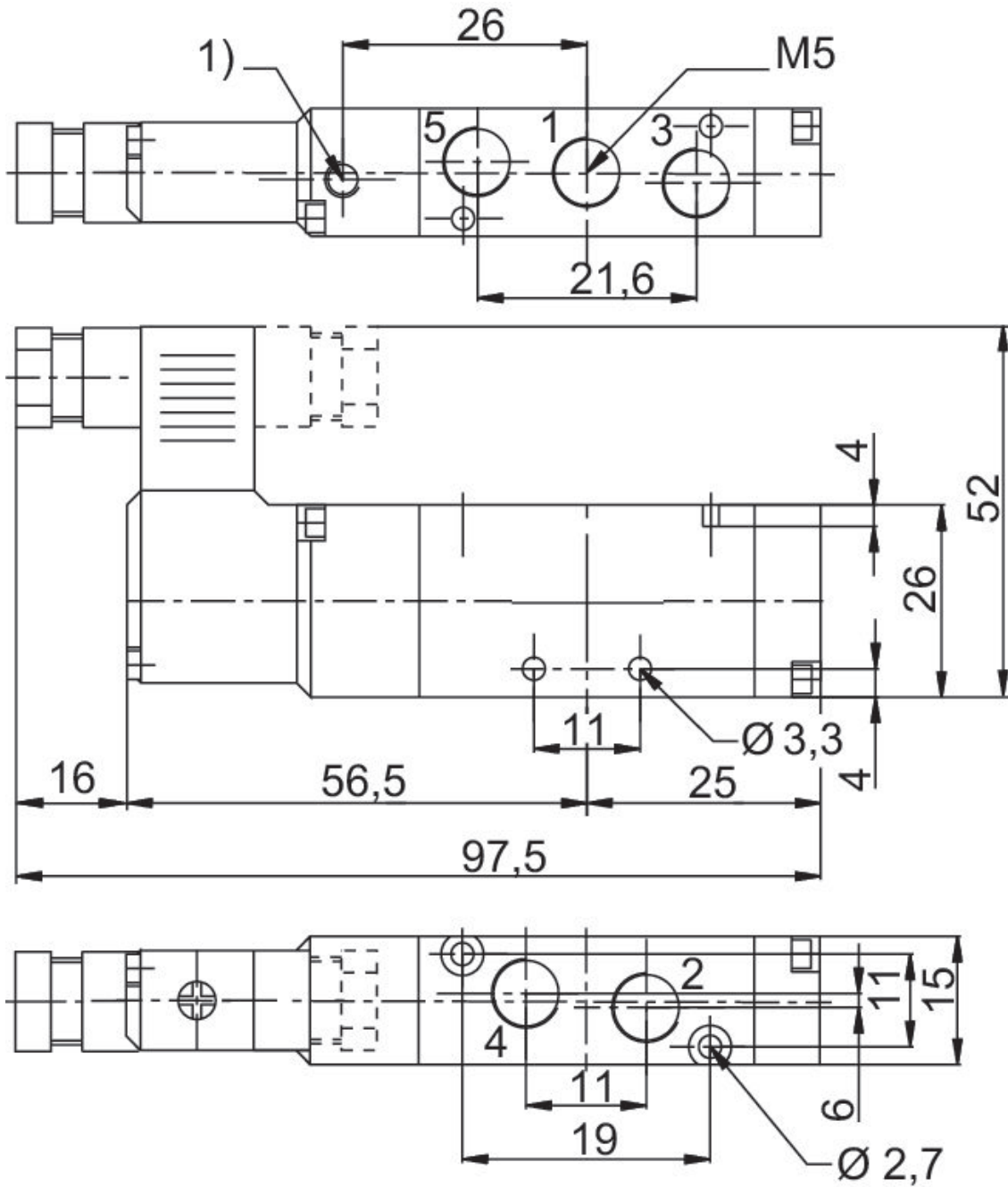
**5/2-directional valve, Series 519, with air spring return**

Flow: 175 l/min  
 Activation: Electrically  
 Actuating control: Double Solenoid  
 Min. control pressure: 1.5 bar  
 Min. control pressure: 8 bar  
 Pilot valve width: 15 mm  
 Type: Spool valve



Switching principle	Operational voltage	Pilot	Power consumption DC [W]	Manual override	Nominal flow Q <sub>n</sub> 1 to 2 [l/min]	Part No.
5/2, with air spring return	24 V AC	Internal		without detent	175	51900002
5/2, with air spring return	110 V AC	Internal		without detent	175	51900003
5/2, with spring return	230 V AC	Internal		without detent	175	51900004
5/2, with air spring return	24 V DC	Internal	1.6	without detent	175	51900001

Dimensions



1) Pilot Exhaust

**5/2-directional valve, Series 519, double solenoid**

Flow: 175 l/min

Activation: Electrically

Actuating control: Double Solenoid

Min. control pressure: 1.5 bar

Min. control pressure: 8 bar

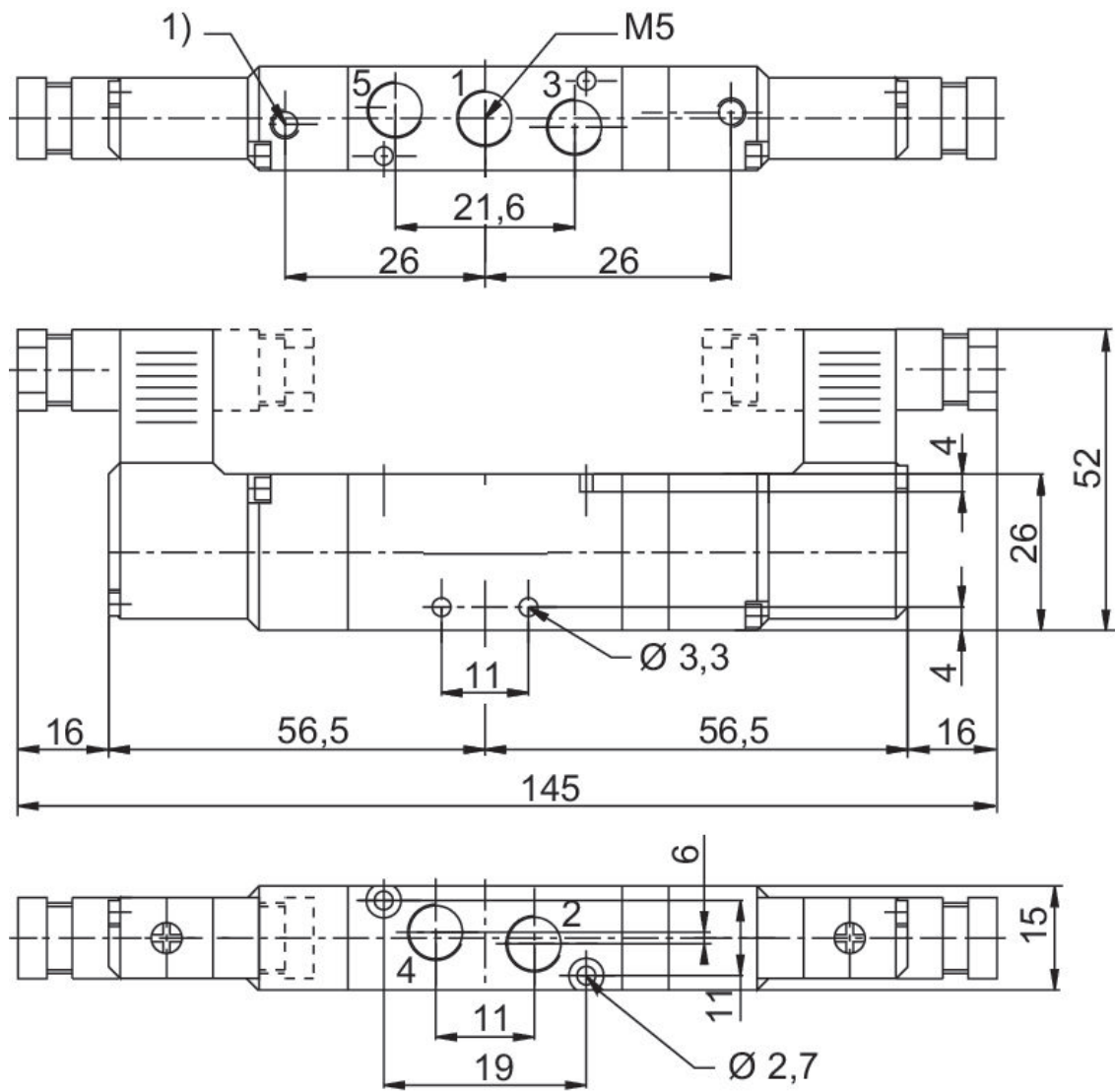
Pilot valve width: 15 mm

Type: Spool valve



Switching principle	Operational voltage	Pilot	Power consumption DC [W]	Manual override	Nominal flow Q <sub>n</sub> 1 to 2 [l/min]	Part No.
5/2, double solenoid	24 V AC	Internal		without detent	175	51900006
5/2, double solenoid	110 V AC	Internal		without detent	175	51900007
5/2, double solenoid	230 V AC	Internal		without detent	175	51900008
5/2, double solenoid	24 V DC	Internal	1.6	without detent	175	51900005

Dimensions



1) Pilot Exhaust

**5/3-directional valve, Series 519**

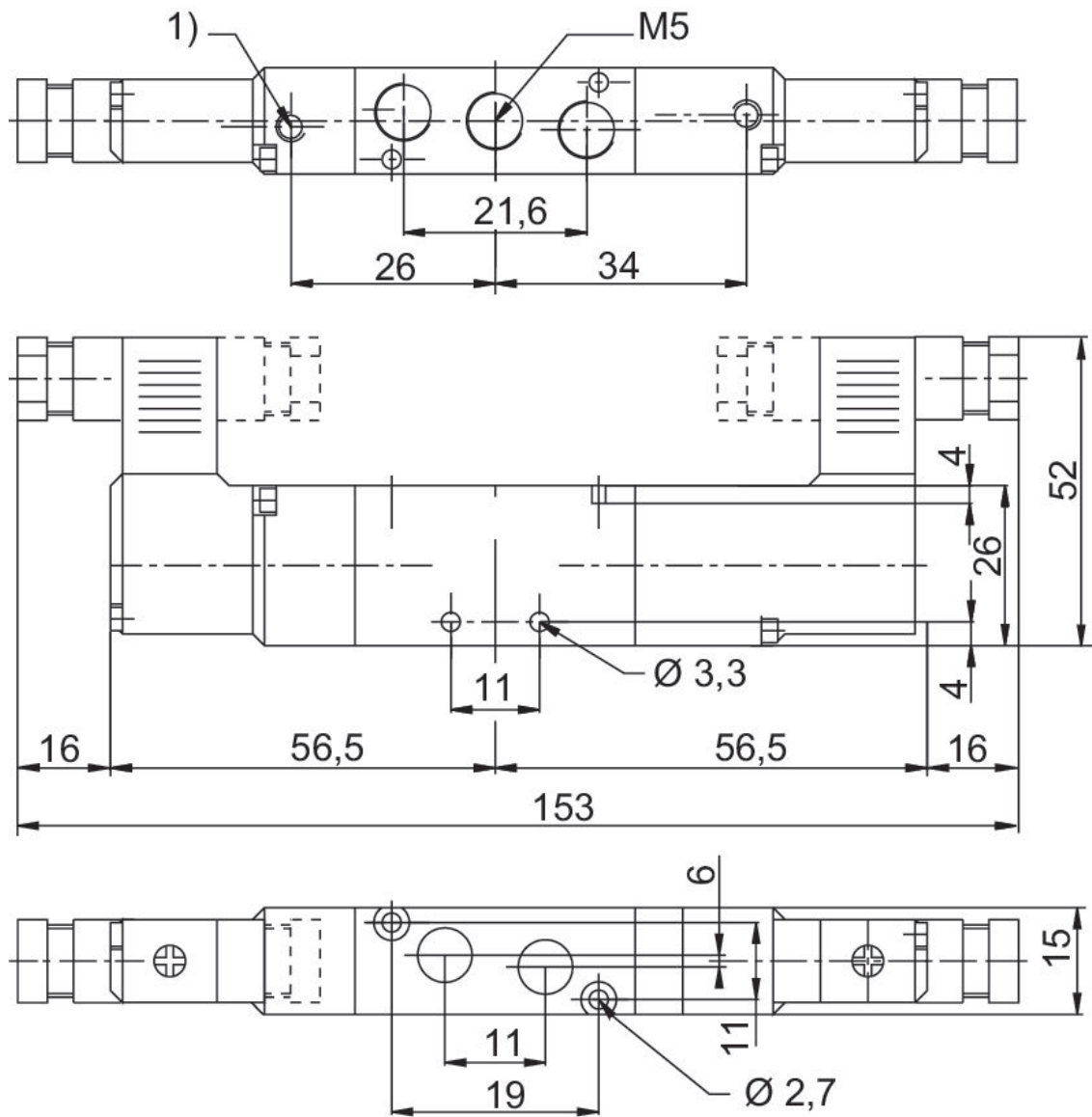
Flow: 175 l/min  
 Activation: Electrically  
 Actuating control: Double Solenoid  
 Min. control pressure: 1.5 bar  
 Min. control pressure: 8 bar  
 Pilot valve width: 15 mm  
 Type: Spool valve



Valve function	Switching principle	Operational voltage	Pilot	Power consumption DC [W]	Manual override	Nominal flow Qn 1 to 2 [l/min]	Part No.
Closed Center	5/3, closed center	24 V AC	Internal		without detent	175	51900010
Closed Center	5/3, closed center	110 V AC	Internal		without detent	175	51900011
Closed Center	5/3, closed center	230 V AC	Internal		without detent	175	51900012
Closed Center	5/3, closed center	24 V DC	Internal	1.6	without detent	175	51900009
Pressurized Center	5/3, pressurized center	24 V AC	Internal		without detent	175	51900126
Pressurized Center	5/3, pressurized center	110 V AC	Internal		without detent	175	51900127
Pressurized Center	5/3, pressurized center	230 V AC	Internal		without detent	175	51900128
Pressurized Center	5/3, pressurized center	24 V DC	Internal	1.6	without detent	175	51900129
Exhausted Center	5/3, exhausted center	24 V AC	Internal		without detent	175	51900087
Exhausted Center	5/3, exhausted center	110 V AC	Internal		without detent	175	51900088
Exhausted Center	5/3, exhausted center	220 V AC	Internal		without detent	175	51900089
Exhausted Center	5/3, exhausted center	24 V DC	Internal	1.6	without detent	175	51900090



Dimensions



1) Pilot Exhaust

**5/2-directional valve, Series 519, single solenoid**

Flow: 175 l/min

Activation: Pneumatically

Actuating control: Single Air Pilot

Compressed air connection type: Internal thread

Compressed air connection input: M5

Compressed air connection output: M5

Min. control pressure: 1.5 bar

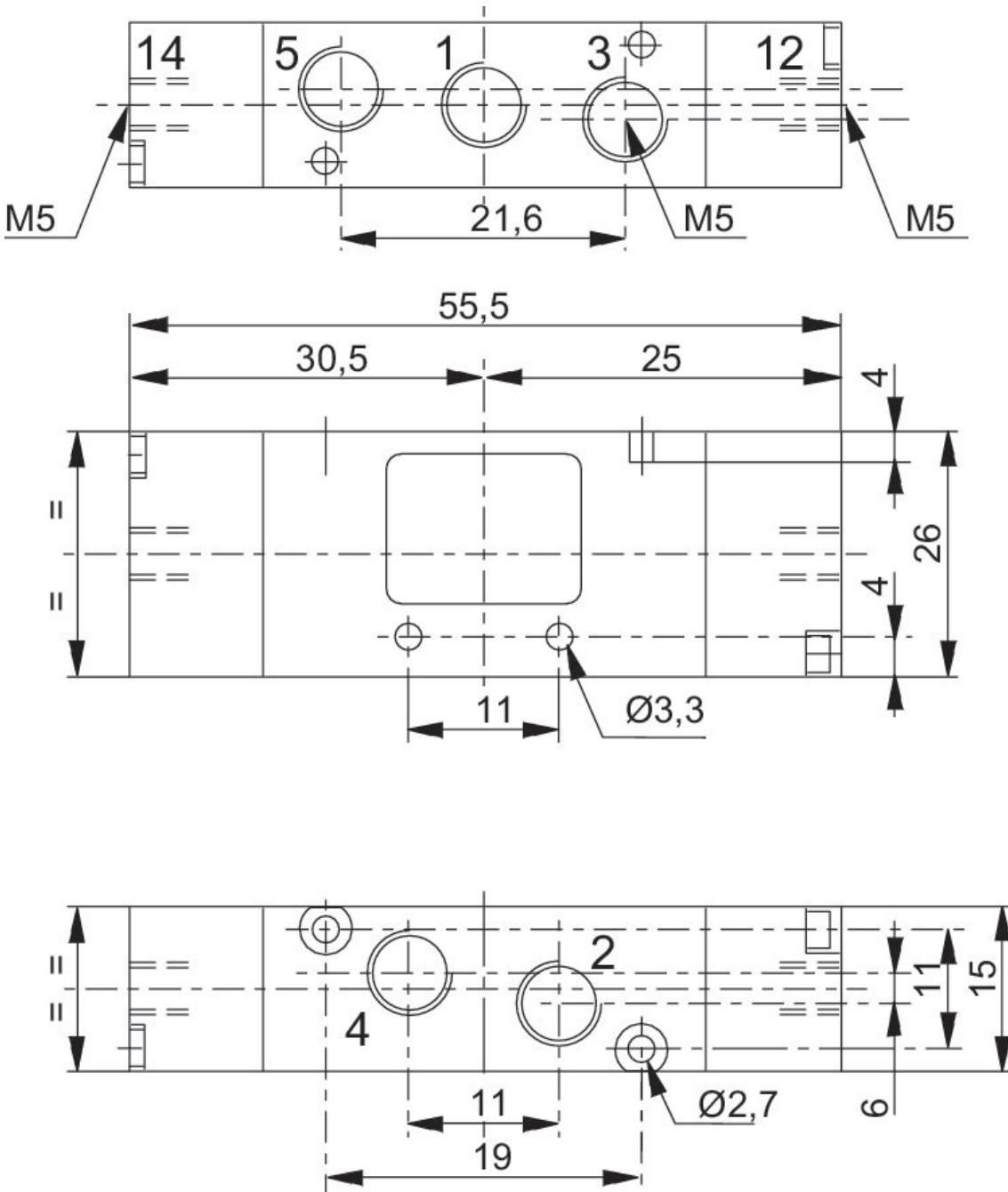
Min. control pressure: 8 bar

Type: Spool valve



Compressed air connection input	Compressed air connection output	Min. control pressure [bar]	Max. control pressure [bar]	Pilot	Part No.
M5	M5	1.5	8	External	51900077

Dimensions



**5/2-directional valve, Series 519, double solenoid**

Flow: 175 l/min

Activation: Pneumatically

Actuating control: Double Air Pilot

Compressed air connection type: Internal thread

Compressed air connection input: M5

Compressed air connection output: M5

Min. control pressure: 1.5 bar

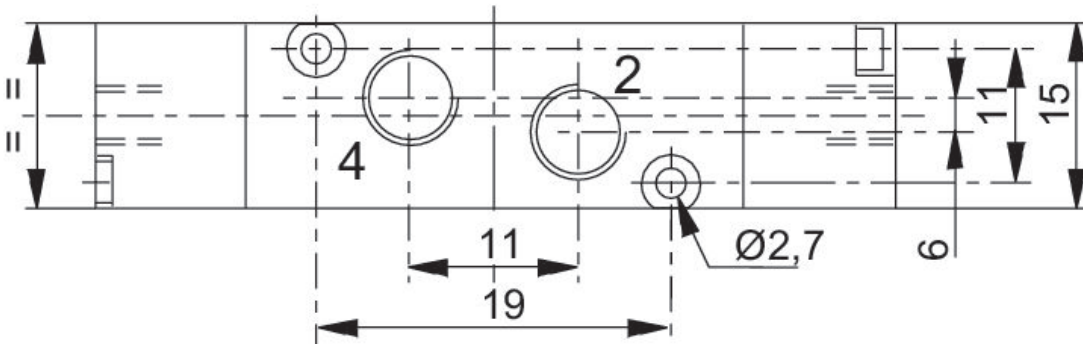
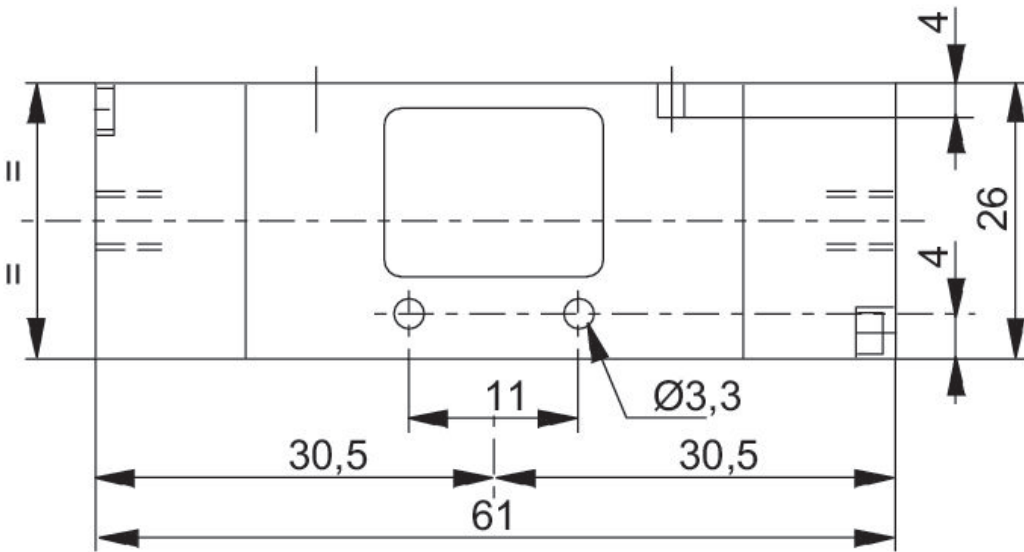
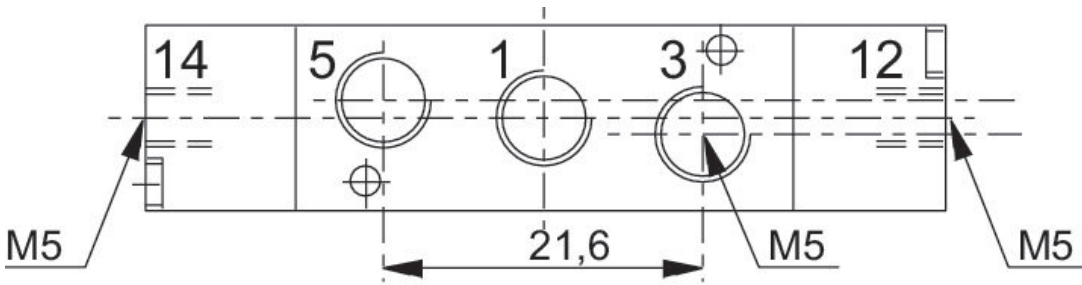
Min. control pressure: 8 bar

Type: Spool valve



Switching principle	Compressed air connection input	Compressed air connection output	Min. control pressure [bar]	Max. control pressure [bar]	Pilot	Part No.
5/2, double solenoid	M5	M5	1.5	8	External	51900078

Dimensions



**Base plate, Series 335**

For series: 519

Compressed air connection input: G 1/8

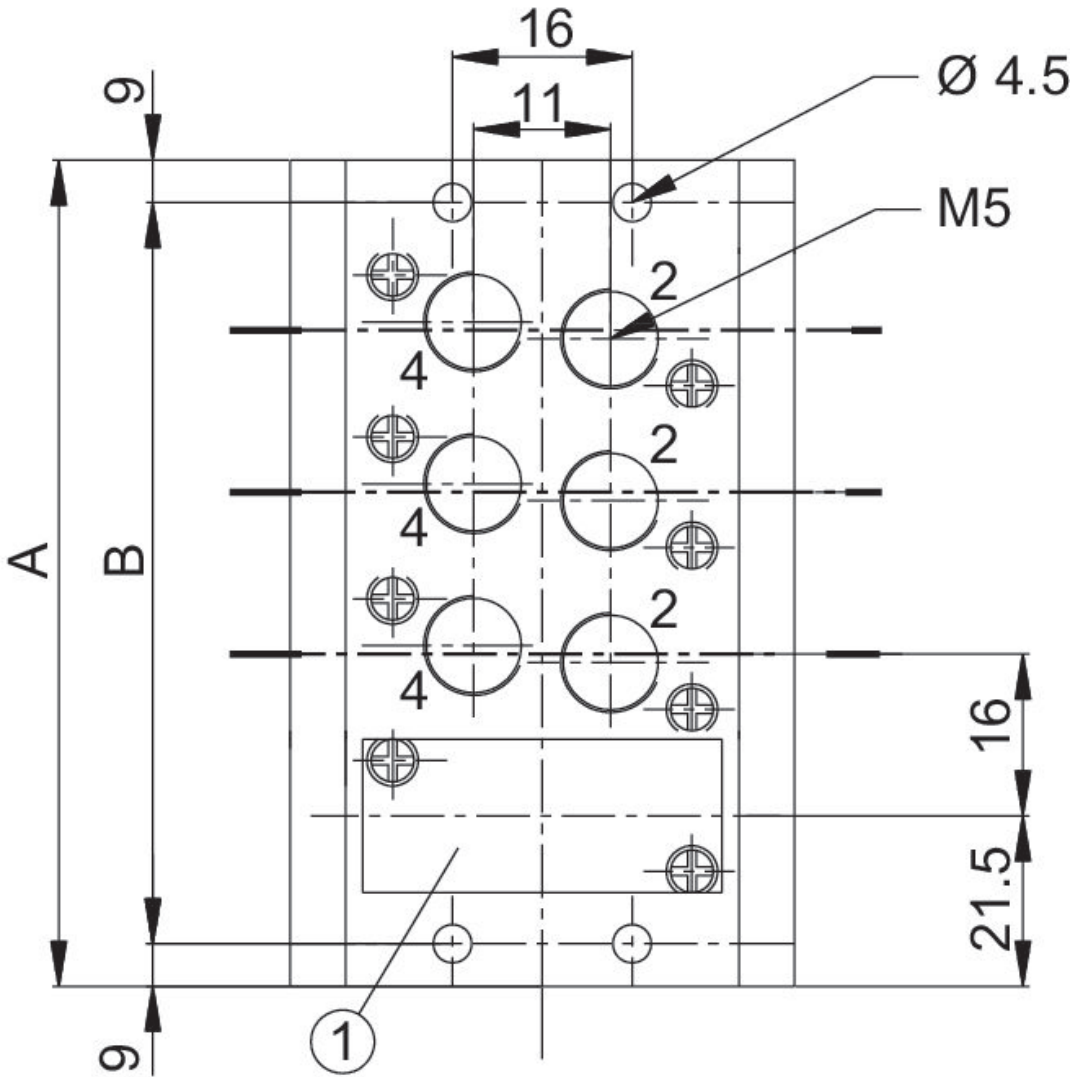
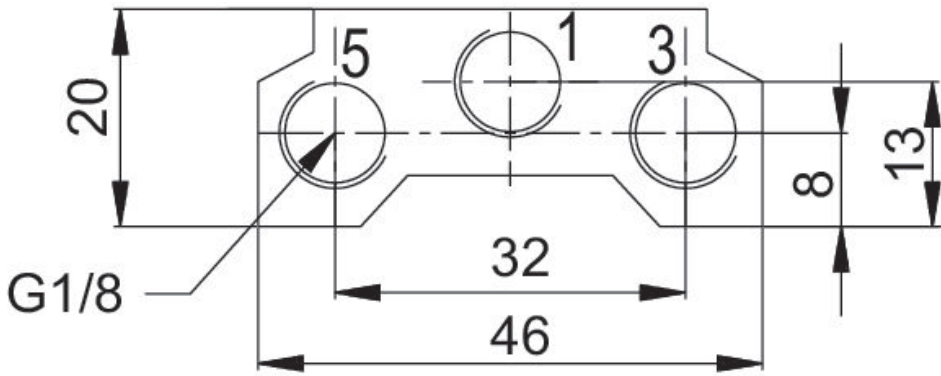
Compressed air connection output: M5

Compressed air connection, exhaust: G 1/8



Compressed air connection input	Compressed air connection output	Compressed air connection, exhaust	Max. number of valve positions	Part No.
G 1/8	M5	G 1/8	2	35500324
G 1/8	M5	G 1/8	3	35500325
G 1/8	M5	G 1/8	4	35500326
G 1/8	M5	G 1/8	5	35500327
G 1/8	M5	G 1/8	6	35500328
G 1/8	M5	G 1/8	7	35500329
G 1/8	M5	G 1/8	8	35500330
G 1/8	M5	G 1/8	9	35500331
G 1/8	M5	G 1/8	10	35500332

Dimensions



- 1) Flange plate
- 2) Blanking plate





Part No.	A	B
35500324	59	41
35500325	75	57
35500326	91	73
35500327	107	89
35500328	123	105
35500329	139	121
35500330	155	137
35500331	171	153
35500332	187	169
tablefooter		



Efficient pneumatic solutions, our program:  
cylinders and drives, valves and valve systems,  
air supply management, proportional pressure  
control valves



Visit us: [www.Emerson.com/aventics](http://www.Emerson.com/aventics)  
Your local contact: [Emerson.com/contactus](http://Emerson.com/contactus)

-  [Emerson.com](http://Emerson.com)
-  [Facebook.com/EmersonAutomationSolutions](https://Facebook.com/EmersonAutomationSolutions)
-  [LinkedIn.com/company/Emerson-Automation-Solutions](https://LinkedIn.com/company/Emerson-Automation-Solutions)
-  [Twitter.com/EMR\\_Automation](https://Twitter.com/EMR_Automation)



The Emerson logo is a trademark and service mark of Emerson Electric Co. AVENTICS is a registered trademark of one of the Emerson family of companies. All other trademarks are the property of their respective owners. © 2020 Emerson Electric Co. All rights reserved.



**CONSIDER IT SOLVED™**